

TAKE IT TO THE SKIES

FLIGHT SEAT PRO

INSTRUCTION MANUAL



*ELECTRONICS NOT INCLUDED



YOUR FLIGHT SIM JOURNEY STARTS HERE

We know you're eager to start flying! Take your time with the instructions and follow this guide to assemble your product. You'll be setting yourself up for success by following the instruction booklet to fully optimize your product.



@next_level_racing



@nextlevelracingOfficial



@nextlvlracing



Next Level Racing



support@nextlevelracing.com

TAKE IT TO THE SKIES

NEXTLEVELRACING.COM





support@nextlevelracing.com

PRE-FLIGHT CHECKS

WARNING

- Please do not use power tools for assembly as over tightening can damage parts.
- If you require further support, consult the installation video or contact us at support@nextlevelracing.com
- Ensure all Castor Wheels are locked before sitting on the cockpit.
- Do not force parts together.
- Avoid cross threading bolts.



If you require any support with your product please contact our friendly team at:
support@nextlevelracing.com



WARNING

CHOKING HAZARD - Small parts not for children under 3 years or any individuals who have a tendency to place inedible objects in their mouths.



**ASSEMBLY
VIDEO**

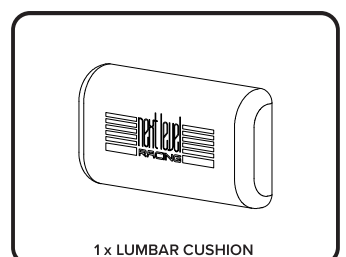
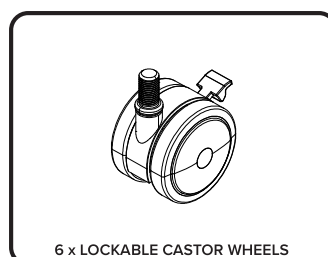
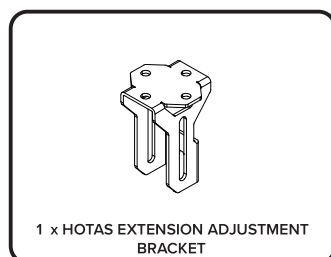
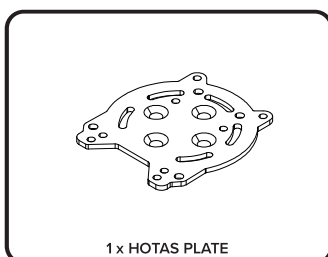
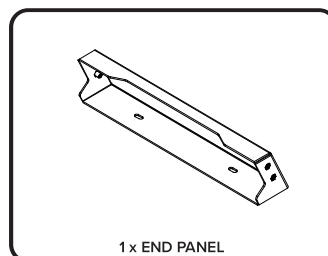
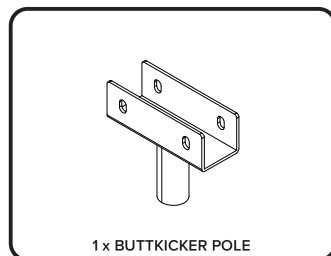
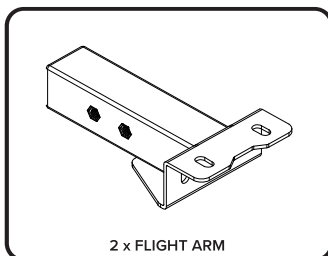
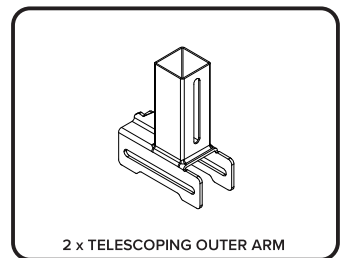
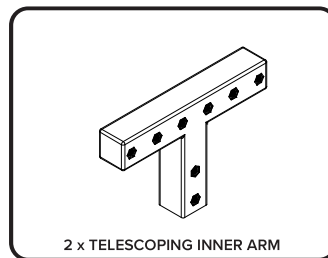
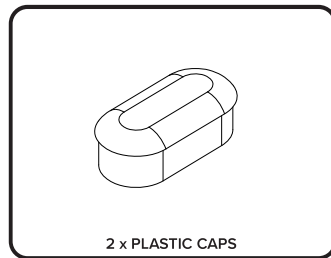
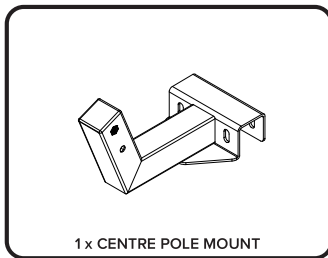
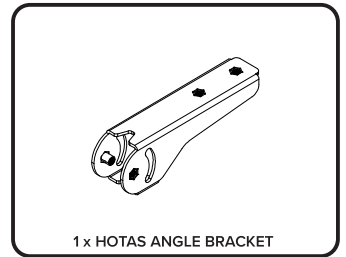
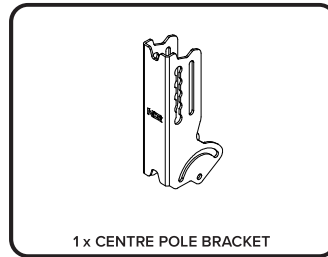
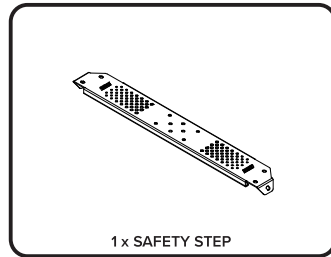
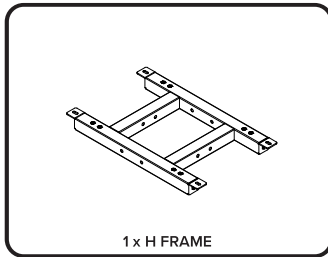
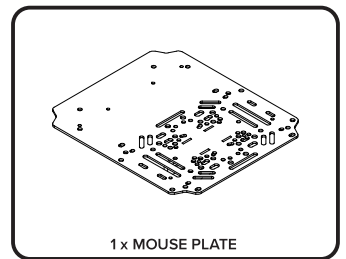
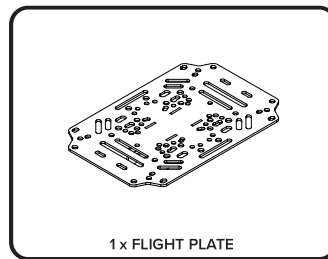
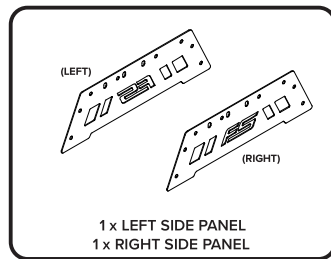
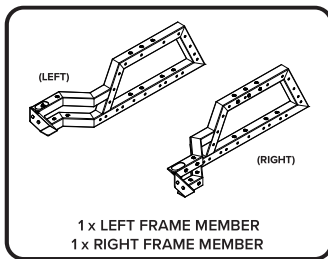
bit.ly/nlrbuild



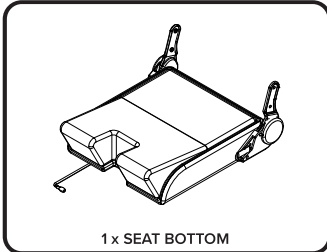
Video Instruction: bit.ly/nlrbuild

IN THE BOX

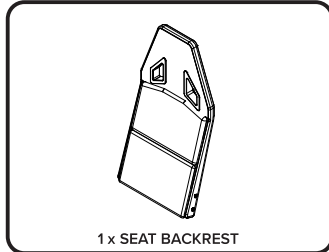
*NOT TO SCALE



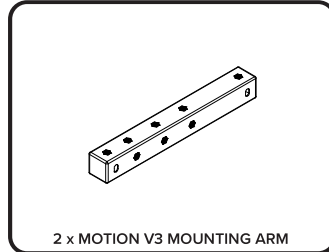
NOTE: Some Items Come With Rust Resistant Coating



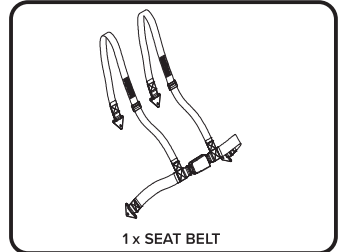
1 x SEAT BOTTOM



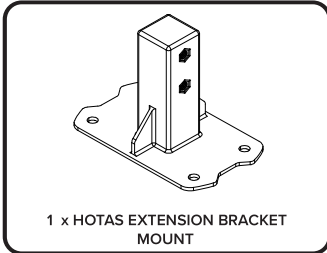
1 x SEAT BACKREST



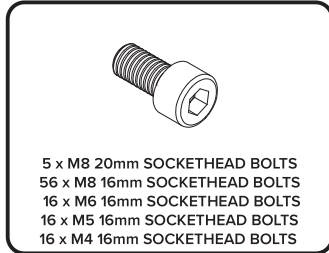
2 x MOTION V3 MOUNTING ARM



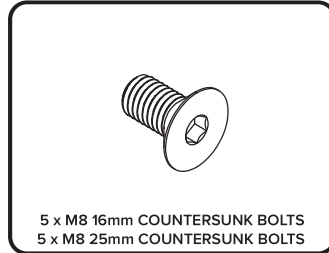
1 x SEAT BELT



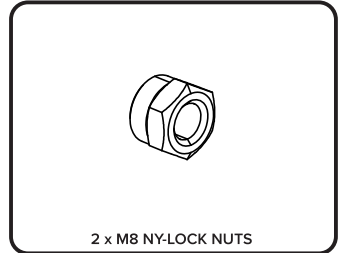
1 x HOTAS EXTENSION BRACKET MOUNT



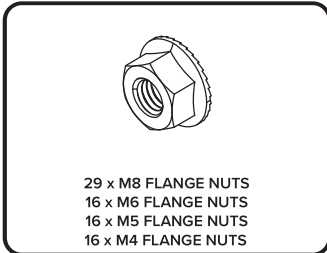
5 x M8 20mm SOCKETHEAD BOLTS
56 x M8 16mm SOCKETHEAD BOLTS
16 x M6 16mm SOCKETHEAD BOLTS
16 x M5 16mm SOCKETHEAD BOLTS
16 x M4 16mm SOCKETHEAD BOLTS



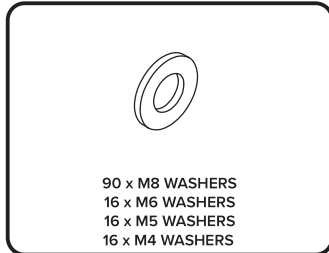
5 x M8 16mm COUNTERSUNK BOLTS
5 x M8 25mm COUNTERSUNK BOLTS



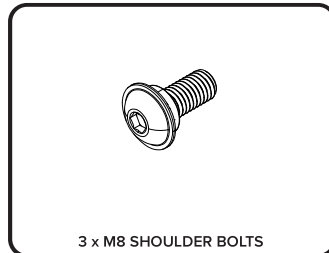
2 x M8 NY-LOCK NUTS



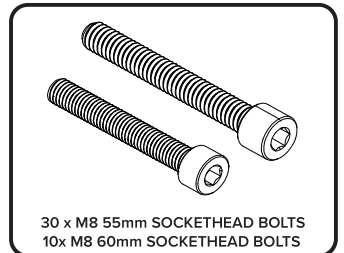
29 x M8 FLANGE NUTS
16 x M6 FLANGE NUTS
16 x M5 FLANGE NUTS
16 x M4 FLANGE NUTS



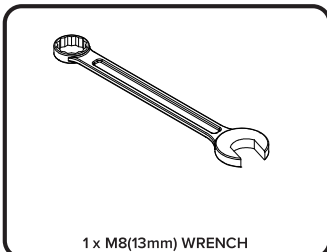
90 x M8 WASHERS
16 x M6 WASHERS
16 x M5 WASHERS
16 x M4 WASHERS



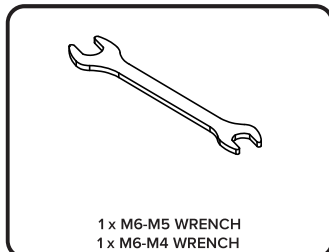
3 x M8 SHOULDER BOLTS



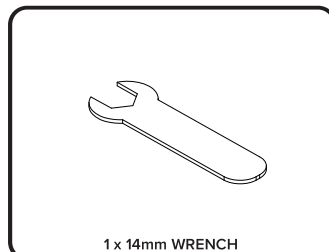
30 x M8 55mm SOCKETHEAD BOLTS
10x M8 60mm SOCKETHEAD BOLTS



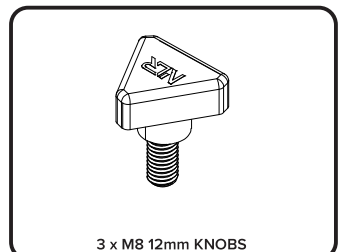
1 x M8(13mm) WRENCH



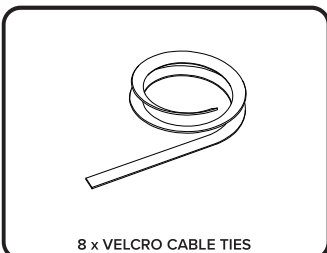
1 x M6-M5 WRENCH
1 x M6-M4 WRENCH



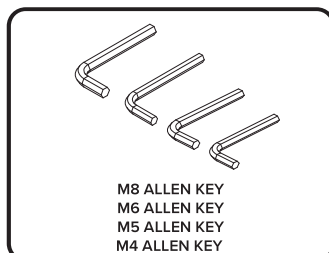
1 x 14mm WRENCH



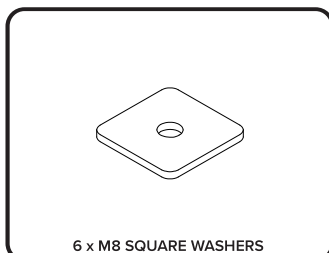
3 x M8 12mm KNOBS



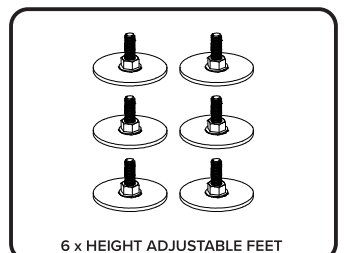
8 x VELCRO CABLE TIES



M8 ALLEN KEY
M6 ALLEN KEY
M5 ALLEN KEY
M4 ALLEN KEY



6 x M8 SQUARE WASHERS



6 x HEIGHT ADJUSTABLE FEET

NOTE: Bolts may vary between fully threaded or partially threaded.



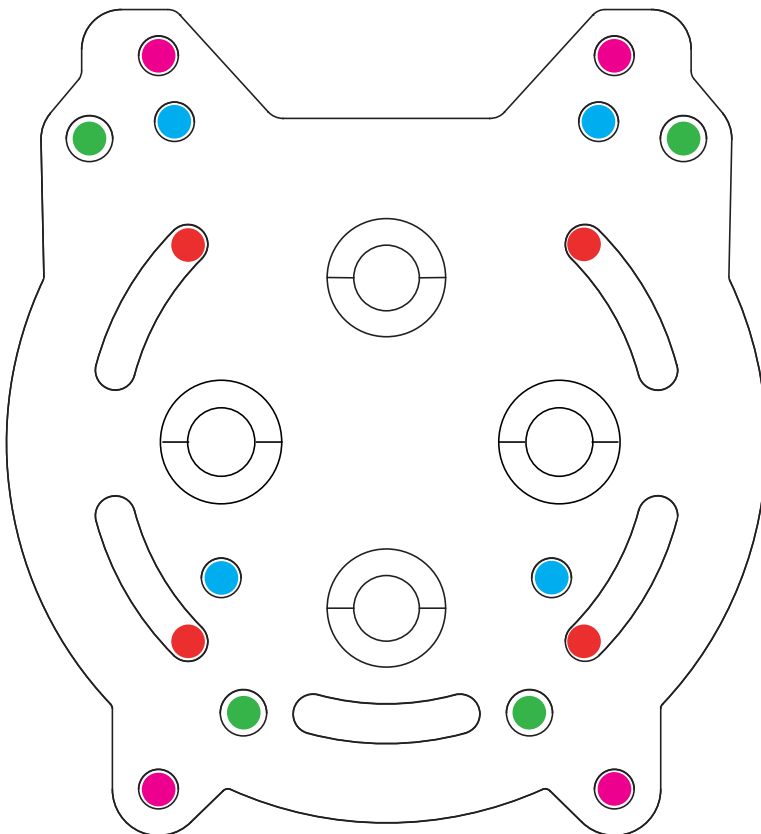
KEY STEPS

MOUNTING LOCATION DIAGRAMS	<i>page 8</i>
Hotas Plate	<i>page 8</i>
Flight Plate	<i>page 9</i>
Mouse Plate	<i>page 10</i>
GENERAL ASSEMBLY	<i>page 12</i>
Extended HOTAS Mount Installation	<i>page 18</i>
HOTAS Extension Mount Adjustment	<i>page 19</i>
HOTAS Mount Installation	<i>page 19</i>
Centre Pole Bracket Adjustment	<i>page 21</i>
HOTAS Angle Adjustment	<i>page 21</i>
HOTAS Bracket Height Adjustment	<i>page 21</i>
FLIGHT SIMULATOR PRO SETUP	<i>page 22</i>
Seat Belt Installation	<i>page 25</i>
MOTION PLUS PLATFORM INSTALLATION	<i>page 27</i>
Lower Flight Arm Assembly	<i>page 27</i>
Buttkicker Pole Installation	<i>page 29</i>
MOTION V3 PLATFORM INSTALLATION	<i>page 29</i>
Seat Belt Installation	<i>page 31</i>
Flight Arm Adjustment	<i>page 33</i>
Flight/Mouse Plate Adjustment	<i>page 33</i>



MOUNTING LOCATIONS

HOTAS PLATE



PRODUCT LEGEND:

- TM HOTAS Warthog Stick / Winwing HOTAS Orion 2
- VKB Gunfighter PRO MK.II
- Virpil Mongoos T-50CM3 with WarBRD Base
- Winwing Super Libra

NOT TO SCALE

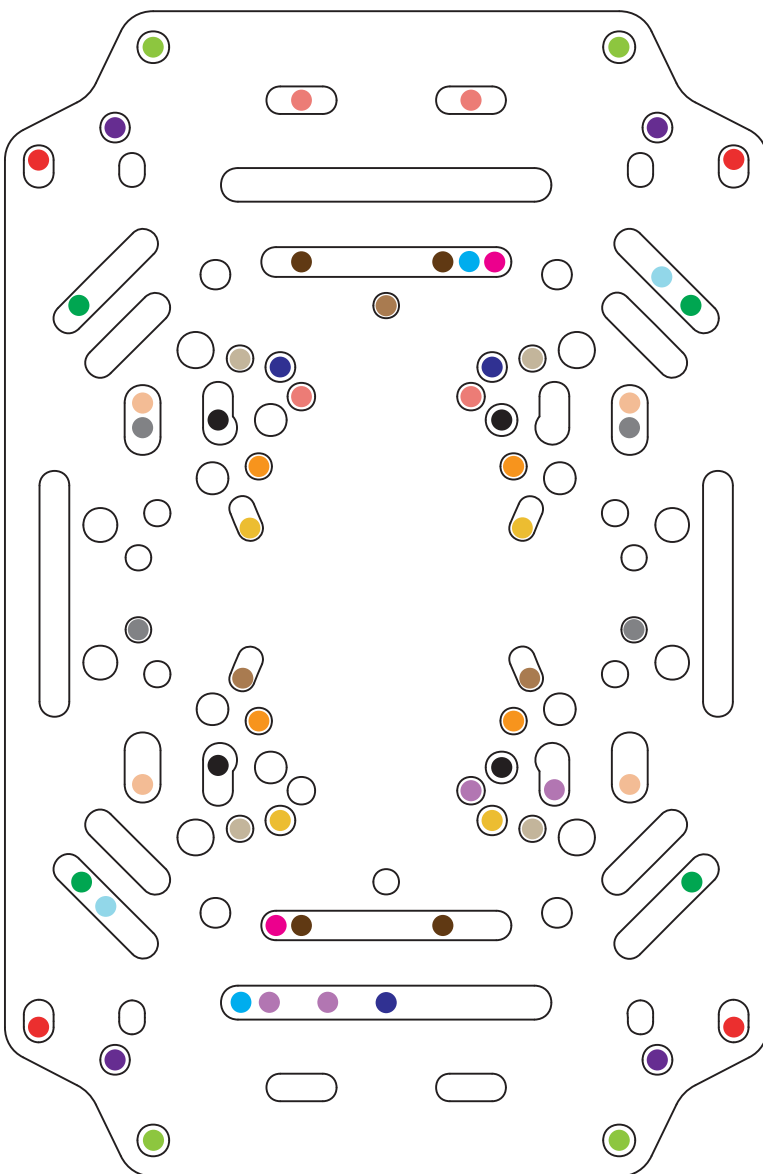


Video Instruction: bit.ly/nlrbuild

FLIGHT PLATE

PRODUCT LEGEND:

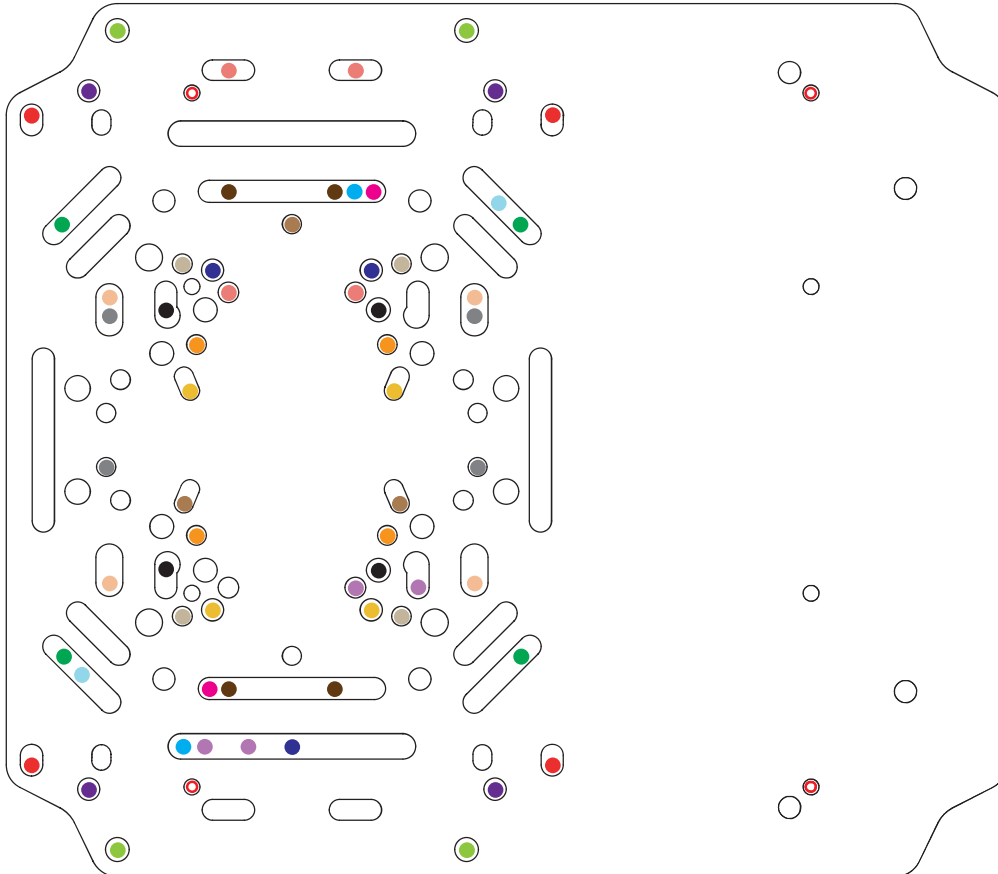
- Logitech G X56 Throttle/HOTAS
- Logitech G X52 Throttle/HOTAS
- TMT.16000M / TCA Sidestick Airbus
- TM HOTAS Warthog Stick / Winwing HOTAS Orion 2
- TM HOTAS Warthog Duel Throttle / Winwing Orion 2 Throttle
- TM TCA Quadrant Airbus Edition Throttle
- TM TCA Throttle Quadrant Boeing Edition
- TM TWCS Throttle
- Turtle Beach VelocityOne Flightstick
- Virtual Fly TQ3+
- Virtual Fly TQ6+
- Virtual Fly V3RNIO+
- VKB Gladiator NXT
- VKB Gunfighter PRO MK.II
- Virpil Mongoos T-50CM3 with WarBRD Base
- Virpil Mongoos T-50CM3 Throttle
- Virpil Rotor TCS Plus Base
- Winwing Gemini Throttle Base



NOT TO SCALE



MOUSE PLATE



PRODUCT LEGEND:

- Logitech G X56 Throttle/HOTAS
- Logitech G X52 Throttle/HOTAS
- TM 16000M / TCA Sidestick Airbus
- TM HOTAS Warthog Stick / Winwing HOTAS Orion 2
- TM HOTAS Warthog Duel Throttle / Winwing Orion 2 Throttle
- TM TCA Quadrant Airbus Edition Throttle
- TM TCA Throttle Quadrant Boeing Edition
- TM TWCS Throttle
- Turtle Beach VelocityOne Flightstick
- Virtual Fly TQ3+
- Virtual Fly TQ6+
- Virtual Fly V3RNIO+
- VKB Gladiator NXT
- VKB Gunfighter PRO MK.II
- Virpil Mongoos T-50CM3 with WarBRD Base
- Virpil Mongoos T-50CM3 Throttle
- Virpil Rotor TCS Plus Base
- Winwing Gemini Throttle Base
- Honeycomb Bravo Throttle Quadrant

NOT TO SCALE



Video Instruction: bit.ly/nlrbuild

ADJUSTMENT POINTS

The Flight Seat Pro is a fully adjustable cockpit making it perfect for flight enthusiasts of all sizes. Utilize the various adjustment points to achieve your desired position.



ANGLE



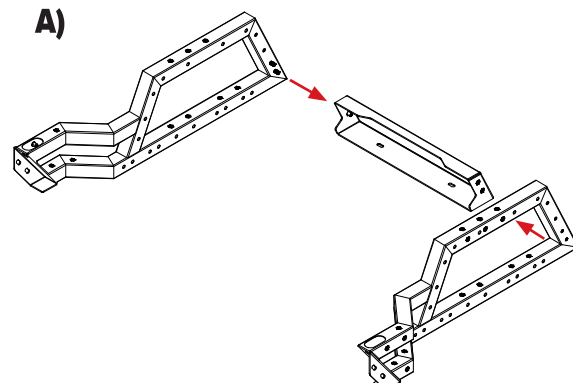
HEIGHT



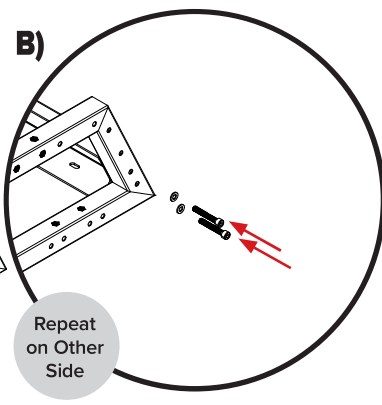
DISTANCE







A)

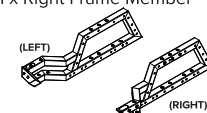


B)

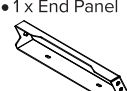
Repeat on Other Side

PARTS:


- 1 x Left Frame Member
- 1 x Right Frame Member



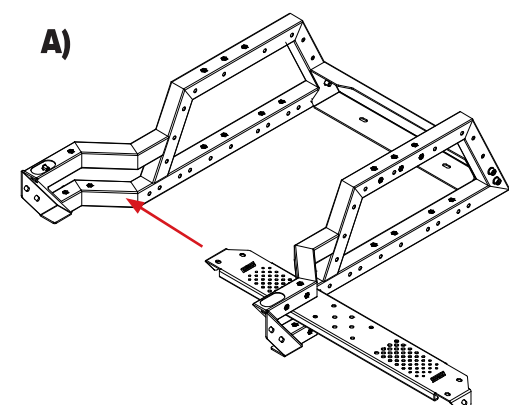
- 1 x End Panel



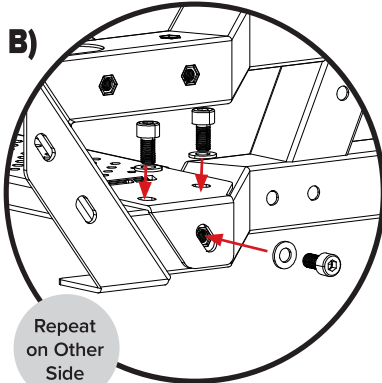
- 4 x M8 55mm Sockethead Bolts
- 4 x M8 Washers



01 A) Align the Left and Right Frame Members with the threaded inserts on the End Panel. B) Bolt through and secure with 2 x M8 Bolts and Washers. Repeat on the other side.



A)

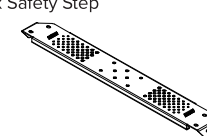


B)

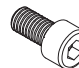
Repeat on Other Side

PARTS:


- 1 x Safety Step



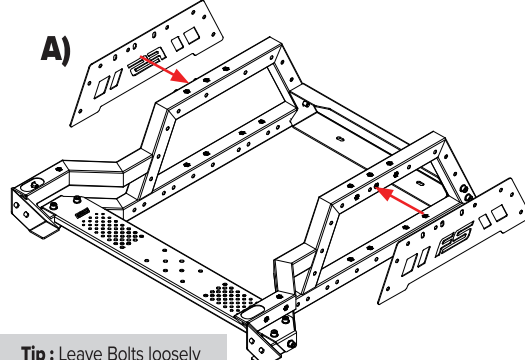
- 6 x M8 16mm Sockethead Bolts



- 6 x M8 Washers

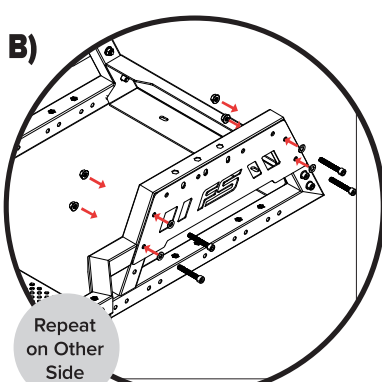


02 A) Align the mounting holes on the Safety Step with the threaded inserts on the Left and Right Frame Member. B) Bolt through and secure with 3 x M8 Bolts and Washers. Repeat on the other side.



A)

Tip: Leave Bolts loosely secured to allow installation of extra Bolts in future steps.

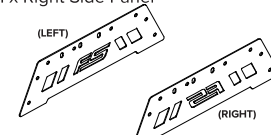


B)


Repeat on Other Side

PARTS:


- 1 x Left Side Panel
- 1 x Right Side Panel



- 8 x M8 55mm Sockethead Bolts



- 8 x M8 Washers
- 8 x M8 Flange Nuts



03 A) Align the Left and Right Side Panels with the mounting holes on the Frame Members. B) Bolt through and secure with 4 x M8 Bolts, Washers and Flange Nuts. Repeat on the other side.



Video Instruction: bit.ly/nlrbuild

A)

B)

Repeat on Other Side

PARTS:

- 1 x H Frame
- 4 x M8 55mm Sockethead Bolts
- 4 x M8 Washers

04 A) Align the threaded inserts on the H Frame with the mounting holes on the Frame Members. B) Bolt through and secure with 2 x M8 Bolts and Washers. Repeat on the other side.

RECOMMENDED MOUNTING POINTS

BOTTOM VIEW

PARTS:

- 4 x M8 Square Washers
- 4 x Castor Wheels/ Height Adjustable Feet

05 Align the Castor Wheels and Square Washers with the threaded inserts on the Frame Members. Fasten and secure using the 14mm Wrench.

A)

B)

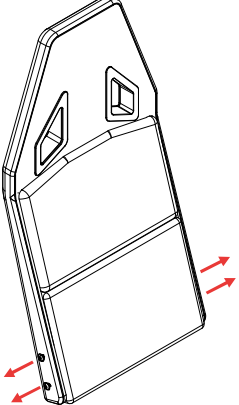
Repeat on Other Side

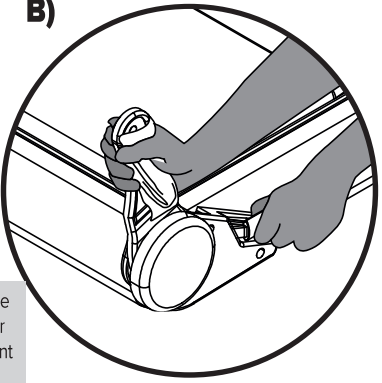
PARTS:

- 1 x Left Safety Steel Cap
- 1 x Right Safety Steel Cap
- 4 x M8 16mm Sockethead Bolts
- 4 x M8 Washers

06 A) Align the Steel Safety Caps with the mounting holes on the Frame Members. B) Bolt through the mounting holes and secure with 2 x M8 Bolts and Washers. Repeat on the other side.

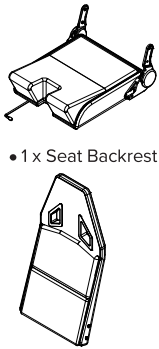


A) 

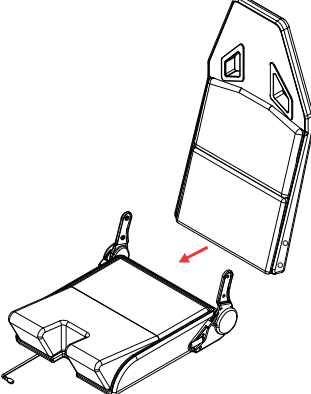
B) 

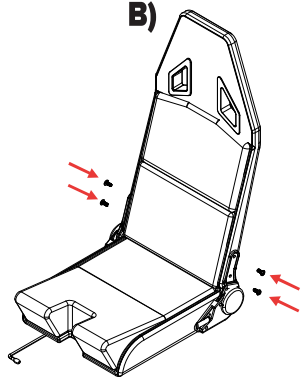
PARTS:

- 1 x Seat Bottom
- 1 x Seat Backrest



07 A) Uninstall the pre-installed Bolts on the Seat Backrest.
B) Adjust the Seat Recliners on the Seat Bottom to an upright position.

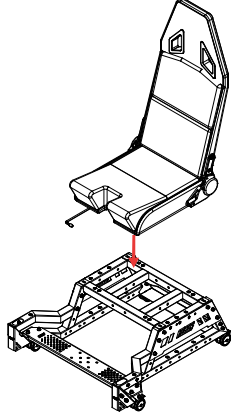
A) 

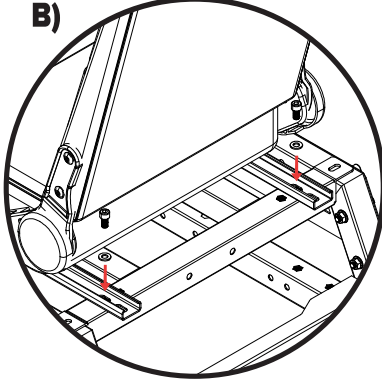
B) 

PARTS:

- Use Pre-installed Hardware


08 A) Align the Seat Backrest threaded inserts with mounting holes on the Seat Recliners.
B) Bolt through and secure with the Bolts previously uninstalled in Step 07a.

A) 

B) 

PARTS:

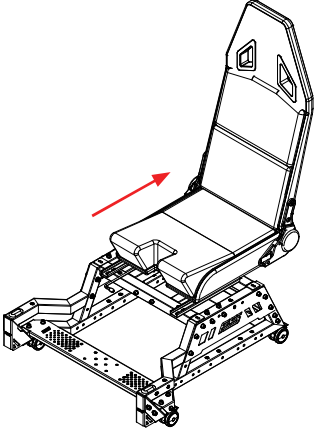
- 2 x M8 16mm Sockethead Bolts
- 2 x M8 Washers

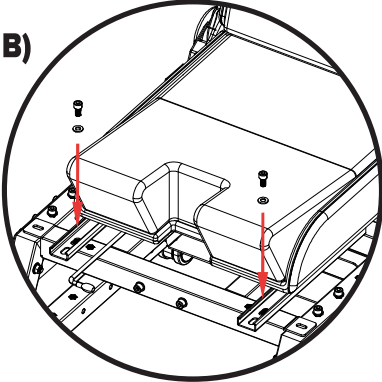


09 A) Slide the seat forward. Align the second last Seat Slider mounting holes with the outer threaded inserts on the H Frame.
B) Bolt through and secure with 2 x M8 Bolts and Washers.




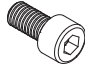
Video Instruction: bit.ly/nlrbuild

A) 

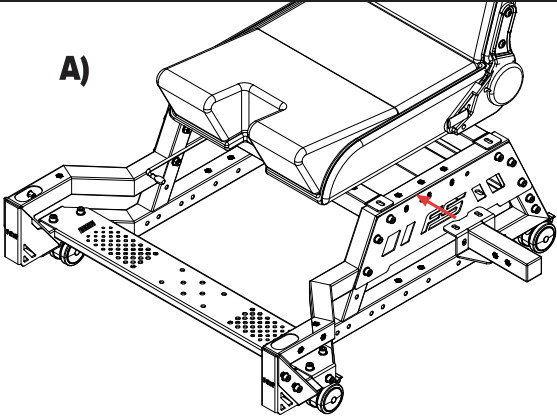
B) 

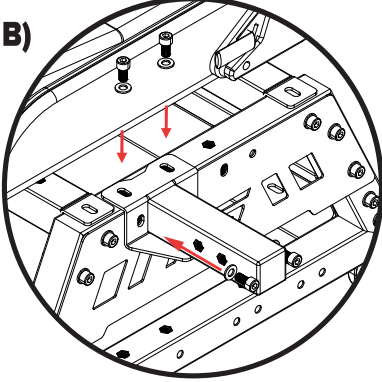
PARTS:

- 2 x M8 16mm Sockethead Bolts
- 2 x M8 Washers




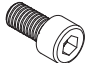
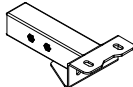
10 A) Slide the Flight Seat all the way back to access the front mounting holes on the Seat Sliders.
B) Bolt through and secure with 2 x M8 Bolts and Washers.

A) 

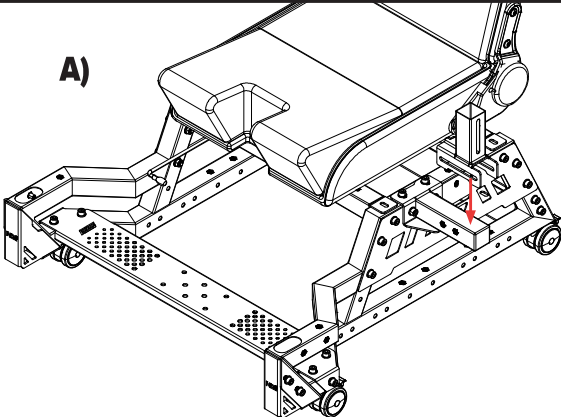
B) 

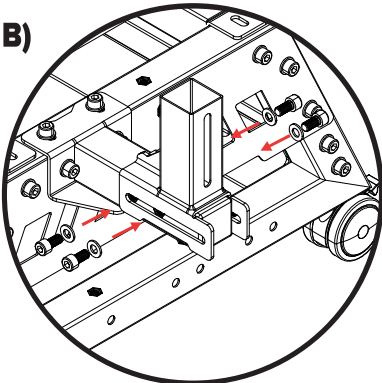
PARTS:

- 1 x Flight Arm
- 4 x M8 16mm Sockethead Bolts
- 4 x M8 Washers




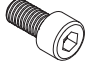
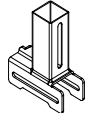
11 A) Align the mounting holes on the Flight Arm with the threaded inserts on the Frame Member.
B) Bolt through and secure with 4 x M8 Bolts and Washers.

A) 

B) 

PARTS:

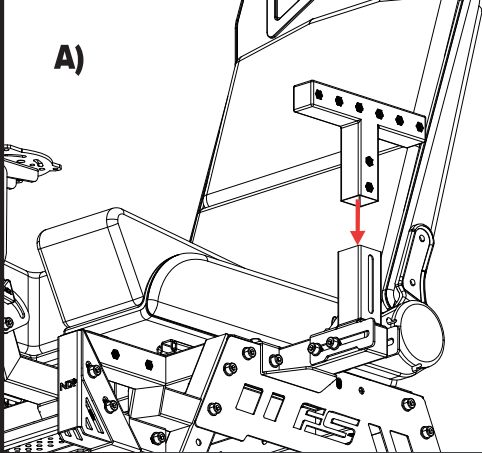
- 1 x Telescoping Outer Arm
- 4 x M8 16mm Sockethead Bolts
- 4 x M8 Washers



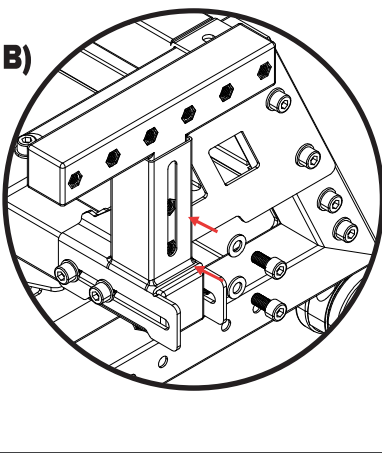
12 A) Align the mounting slots on the Telescoping Outer Arm with the threaded inserts on the Flight Arm.
B) Bolt through and secure with 4 x M8 Bolts and Washers.



A)




B)



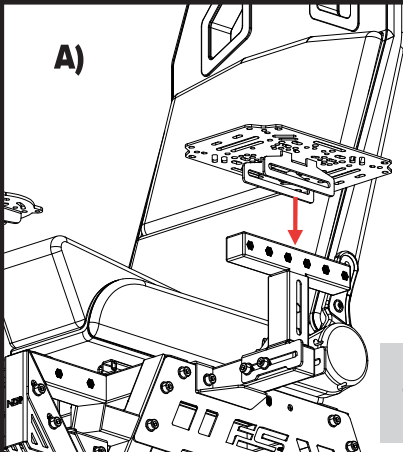
PARTS:

- 1 x Telescoping Inner Arm
- 2 x M8 16mm Sockethead Bolts
- 2 x M8 Washers

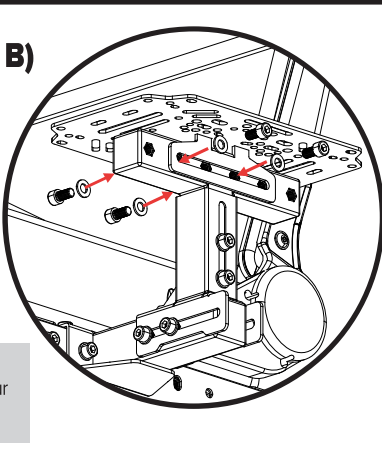


13 A) Align the threaded inserts on the Telescoping Inner Arm with the mounting slot on the Telescoping Outer Arm. B) Bolt through and secure with 2 x M8 Bolts and Washers.

A)

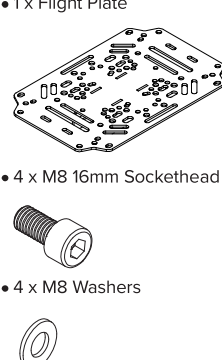


B)



PARTS:

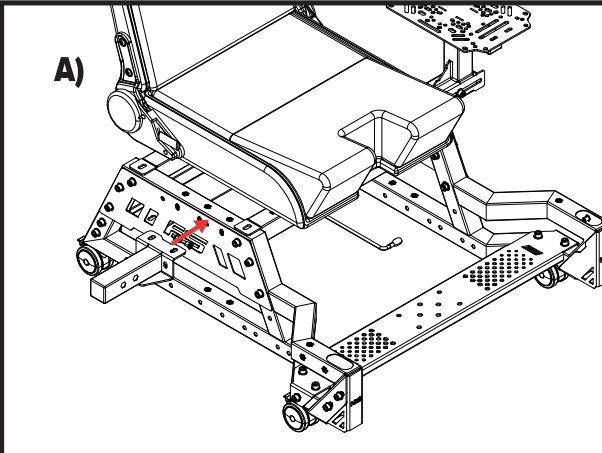
- 1 x Flight Plate
- 4 x M8 16mm Sockethead Bolts
- 4 x M8 Washers



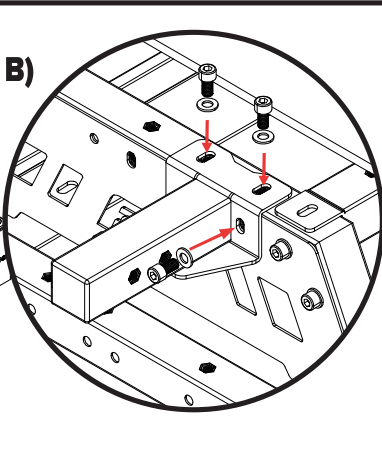
14 A) Align the mounting slots on the Flight Plate with the threaded inserts on the Telescoping Inner Arm. B) Bolt through and secure with 4 x M8 Bolts and Washers.

Tip: Install the Flight Plate on the opposite side of your mouse location.

A)




B)



PARTS:

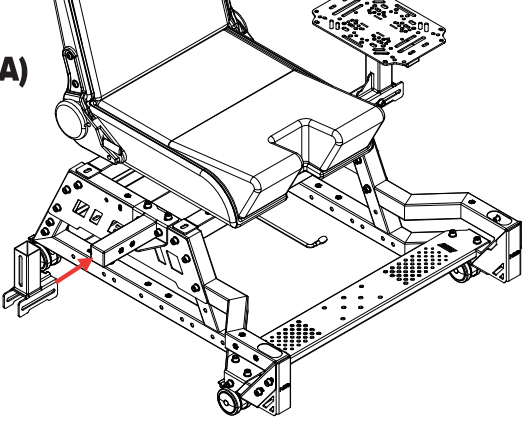
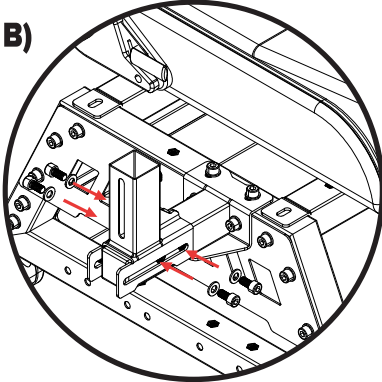
- 1 x Flight Arm
- 4 x M8 16mm Sockethead Bolts
- 4 x M8 Washers



15 A) Align the mounting holes on the Flight Arm with the threaded inserts on the Frame Member. B) Bolt through and secure with 4 x M8 Bolts and Washers.



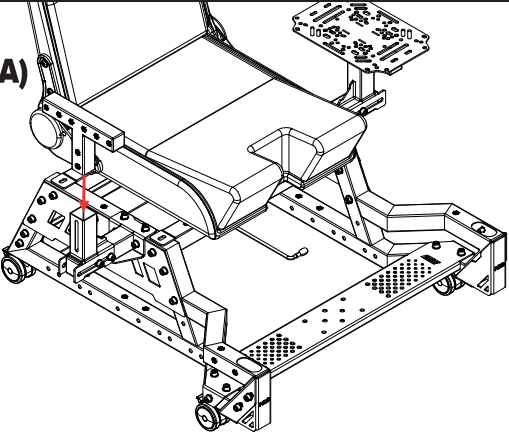
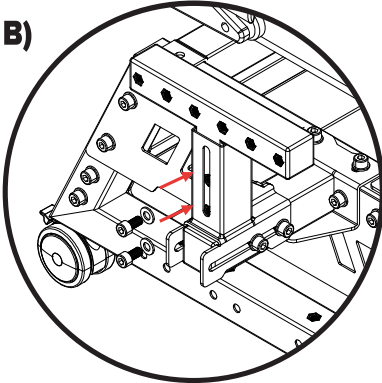
Video Instruction: bit.ly/nlrbuild

A)  **B)** 

PARTS:

- 1 x Telescoping Outer Arm
- 4 x M8 16mm Sockethead Bolts
- 4 x M8 Washers

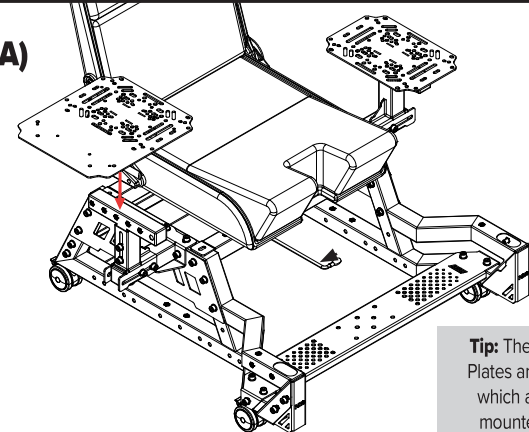
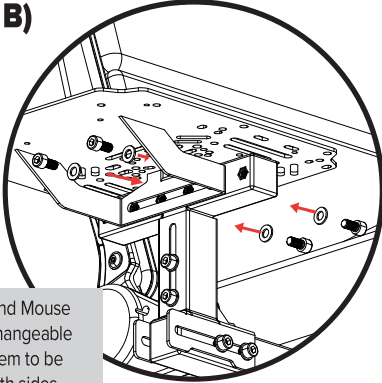
16 A) Align the mounting slots on the Telescoping Outer Arm with the threaded inserts on the Flight Arm. B) Bolt through and secure with 4 x M8 Bolts and Washers.

A)  **B)** 

PARTS:

- 1 x Telescoping Inner Arm
- 2 x M8 16mm Sockethead Bolts
- 2 x M8 Washers

17 A) Align the threaded inserts on the Telescopic Inner Arm with the mounting slot on the Telescoping Outer Arm. B) Bolt through and secure with 2 x M8 Bolts and Washers.

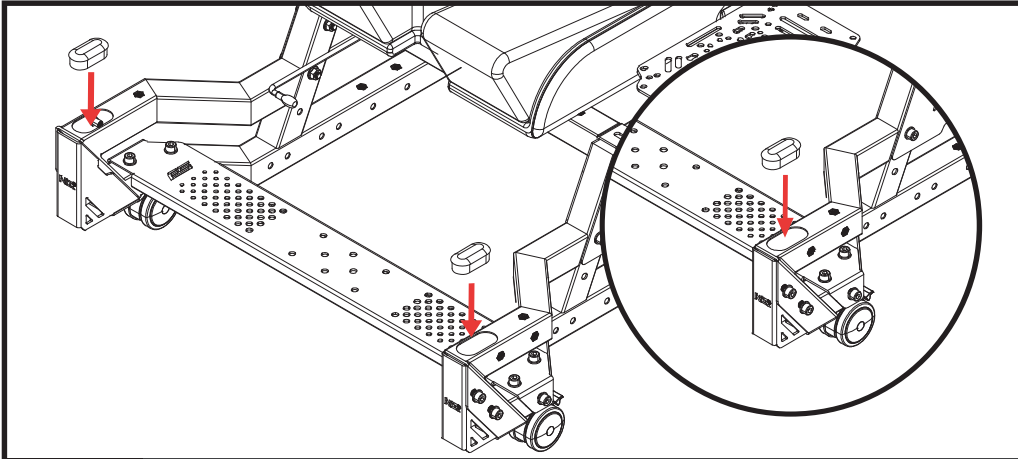
A)  **B)** 

PARTS:

- 1 x Mouse Plate
- 4 x M8 16mm Sockethead Bolts
- 4 x M8 Washers

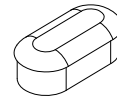
Tip: The Flight and Mouse Plates are interchangeable which allows them to be mounted on both sides.

18 A) Align the mounting slots on the Mouse Plate with the threaded inserts on the Telescoping Inner Arm. B) Bolt through and secure with 4 x M8 Bolts and Washers.



PARTS:

- 2 x Plastic Caps

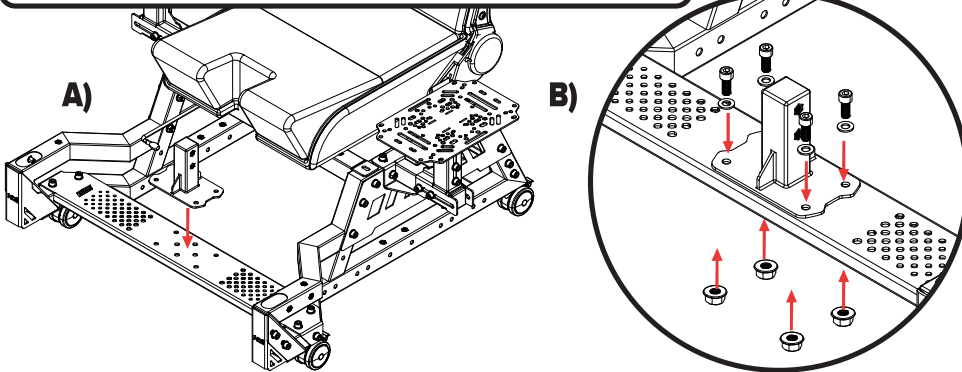


19

Align the Plastic Caps with the Bolt cut-outs on the Frame Members and press them on to fit.

EXTENDED HOTAS MOUNT INSTALLATION

(RECOMMENDED FOR EXTENDED HOTAS STICKS)



PARTS:

- 1 x HOTAS Extension Mount
- 4 x M8 20mm Sockethead Bolts



- 4 x M8 Washers



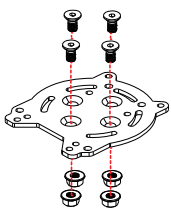
- 4 x M8 Flange Nuts



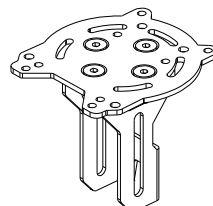
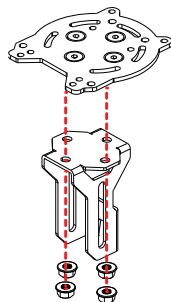
20

A) Align the mounting holes on the HOTAS Extension Mount with the mounting holes on the Safety Step. B) Bolt through and secure with 4 x M8 Bolts, Washers and Flange Nuts.

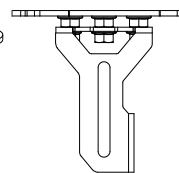
1



2



ISO View



Side View

PARTS:

- 1 x HOTAS Extension Adjustment Bracket



- 1 x HOTAS Plate



- 4 x M8 25mm Countersunk Bolts



- 8 x M8 Flange Nuts

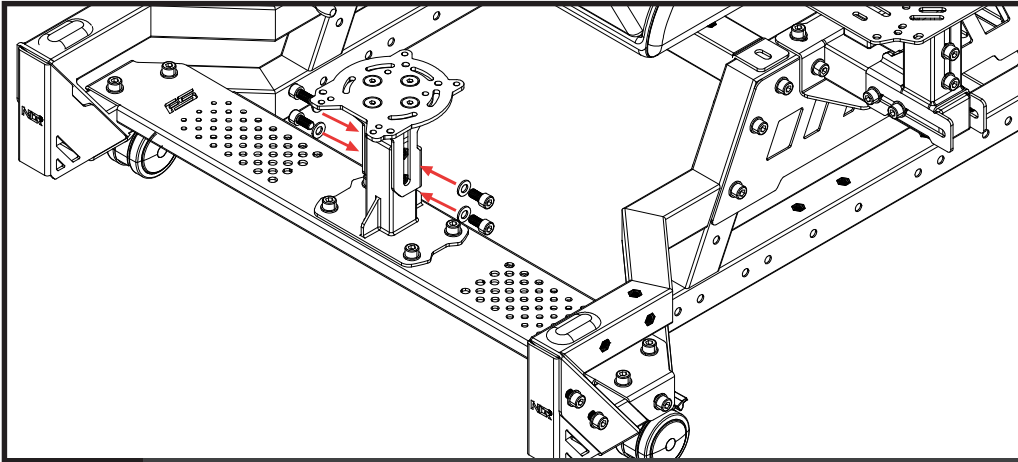


21

1) Bolt through the HOTAS Plate and secure with 4 x M8 Bolts and Flange Nuts 2) Align the HOTAS Plate Assembly with the mounting holes on the HOTAS Extension Adjustment Bracket and secure with 4 x M8 Flange Nuts.



Video Instruction: bit.ly/nlrbuild



PARTS:

- 4 x M8 16mm Sockethead Bolts



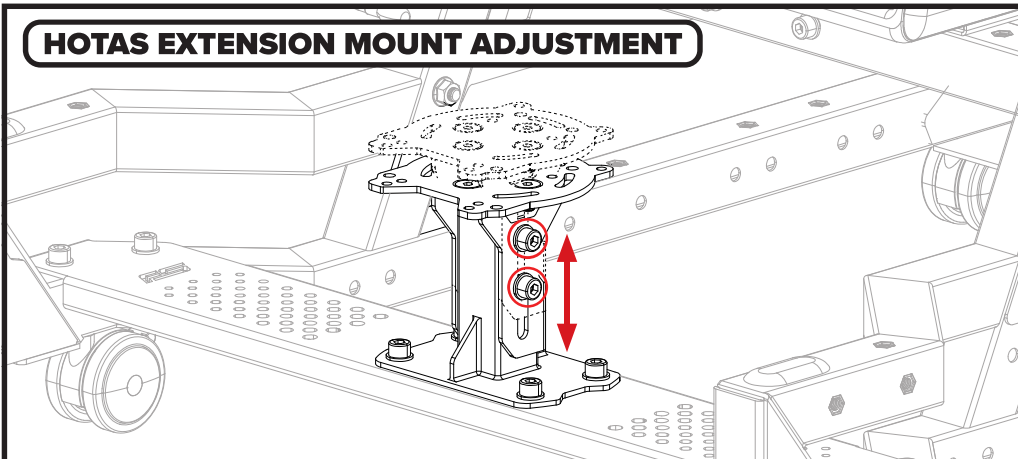
- 4 x M8 Washers



22

Align the mounting slots on the HOTAS Extension Adjustment Bracket assembly with the threaded inserts on the HOTAS Extension Mount. Bolt through and secure with 4 x M8 Bolts and Washers.

HOTAS EXTENSION MOUNT ADJUSTMENT



PARTS:

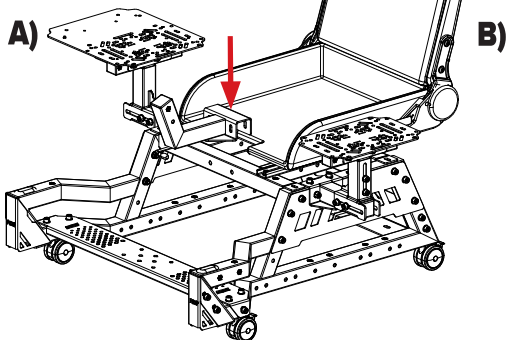
- NIL

23

Loosen the Bolts securing the HOTAS Plate assembly to the HOTAS Extension Mount. Adjust to the desired height and tighten to secure.

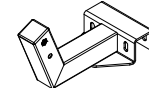
HOTAS MOUNT INSTALLATION

(RECOMMENDED FOR REGULAR HOTAS STICKS)



PARTS:

- 1 x Centre Pole Mount



- 2 x M8 60mm Sockethead Bolts



- 2 x M8 Washers



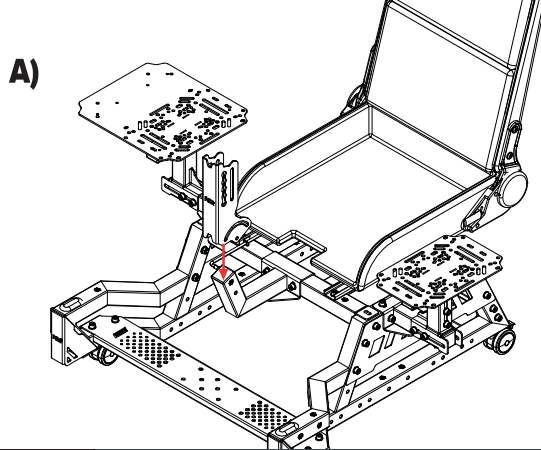
- 2 x M8 Flange Nuts



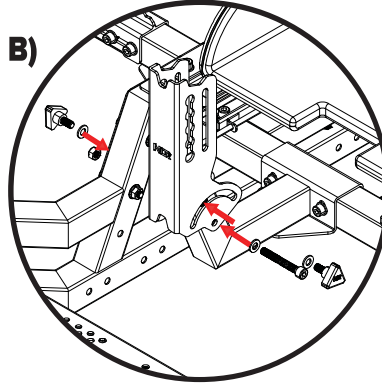
24

A) Uninstall the Seat Bottom Cushion. Align the mounting holes on the Centre Pole Mount with the mounting holes on the H-Frame. B) Bolt through and secure with 2 x M8 Bolts, Washers and Flange Nuts.






A)



B)

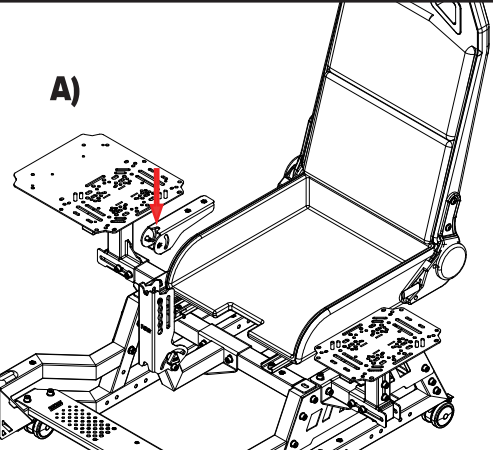
PARTS:

- 1 x Centre Pole Bracket
- 1 x M8 60mm Sockethead Bolt
- 2 x M8 12mm Knobs
- 3 x M8 Washers
- 1 x M8 Ny-lock Nut

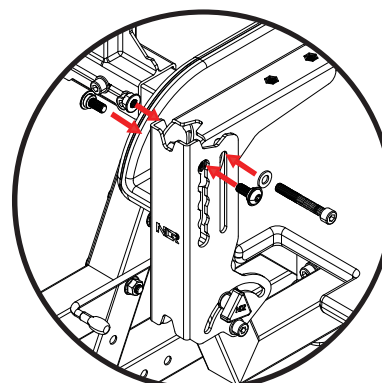


25

A) Align the mounting holes on the Centre Pole Bracket with the mounting slots and inserts on the Centre Pole Mount.
B) Bolt through and secure with 2 x M8 Knobs and Washers & 1 x M8 Bolt, Ny-lock Nut and Washer.



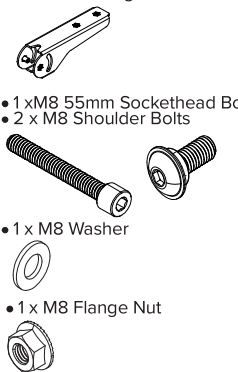
A)



B)

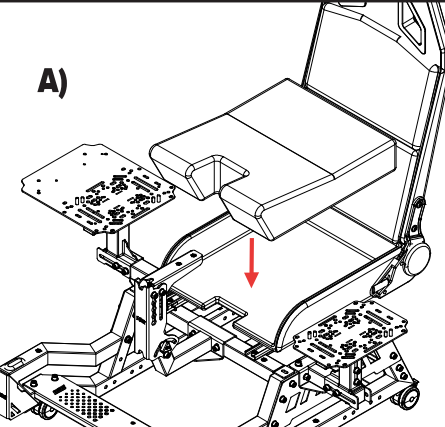
PARTS:

- 1 x HOTAS Angle Bracket
- 1 x M8 55mm Sockethead Bolt
- 2 x M8 Shoulder Bolts
- 1 x M8 Washer
- 1 x M8 Flange Nut

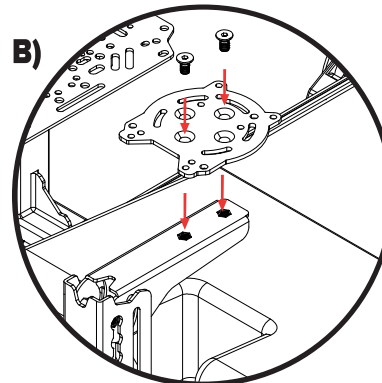


26

A) Align the threaded inserts and slots on the HOTAS Angle Bracket with the mounting slots on the Centre Pole Bracket.
B) Bolt through and secure with 1 x M8 Bolt, 2 x M8 Shoulder Bolts, 1 x Washer and Flange Nut.



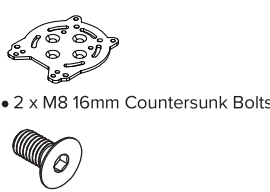
A)



B)

PARTS:

- 1 x HOTAS Plate
- 2 x M8 16mm Countersunk Bolts



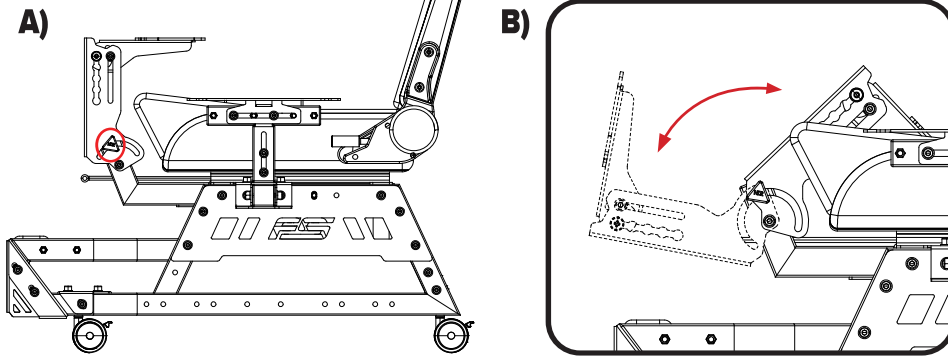
27

A) Install the Seat Bottom Cushion previously uninstalled in Step 24.
B) Align the mounting holes on the HOTAS Plate with the threaded inserts on the HOTAS Angle Bracket. Bolt through and secure with 2 x M8 Bolts.



Video Instruction: bit.ly/nlrbuild

CENTRE POLE BRACKET ADJUSTMENT



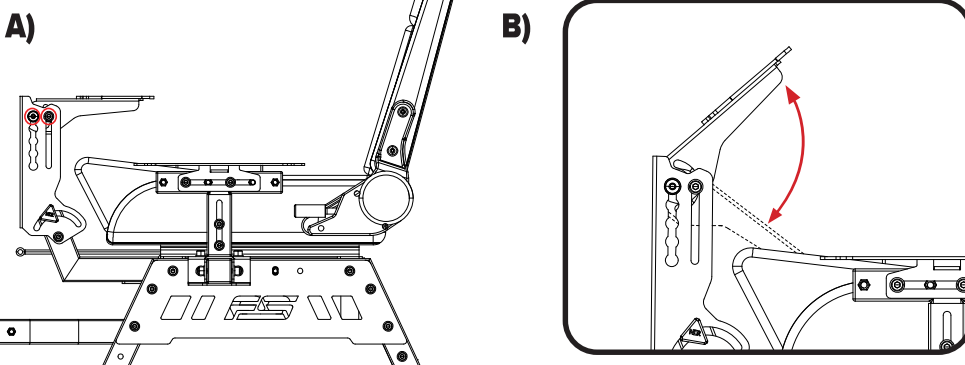
PARTS:

- NIL

28

A) Loosen the Knobs securing the Centre Pole Bracket to the Centre Pole Mount.
B) Adjust to the desired angle and tighten the Knobs to secure.

HOTAS ANGLE ADJUSTMENT



PARTS:

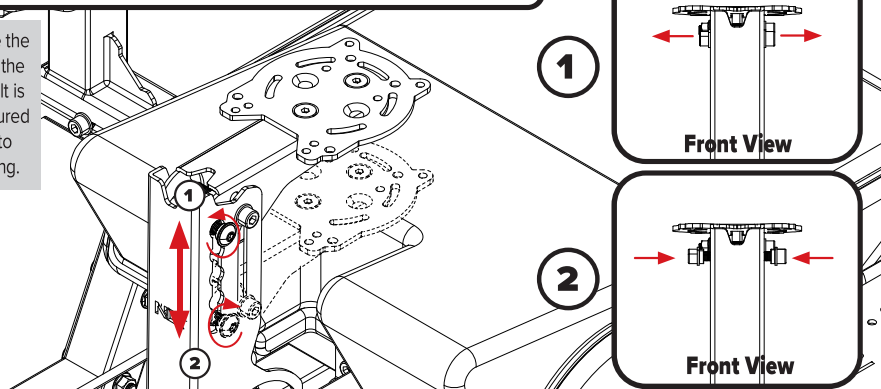
- NIL

29

A) Loosen the Bolts securing the HOTAS Angle Bracket to the Centre Pole Bracket.
B) Adjust to the desired angle and tighten the Bolts to secure.

HOTAS BRACKET HEIGHT ADJUSTMENT

Note: Ensure the shoulder on the Shoulder Bolt is properly secured in the slot to avoid slipping.



PARTS:

- NIL

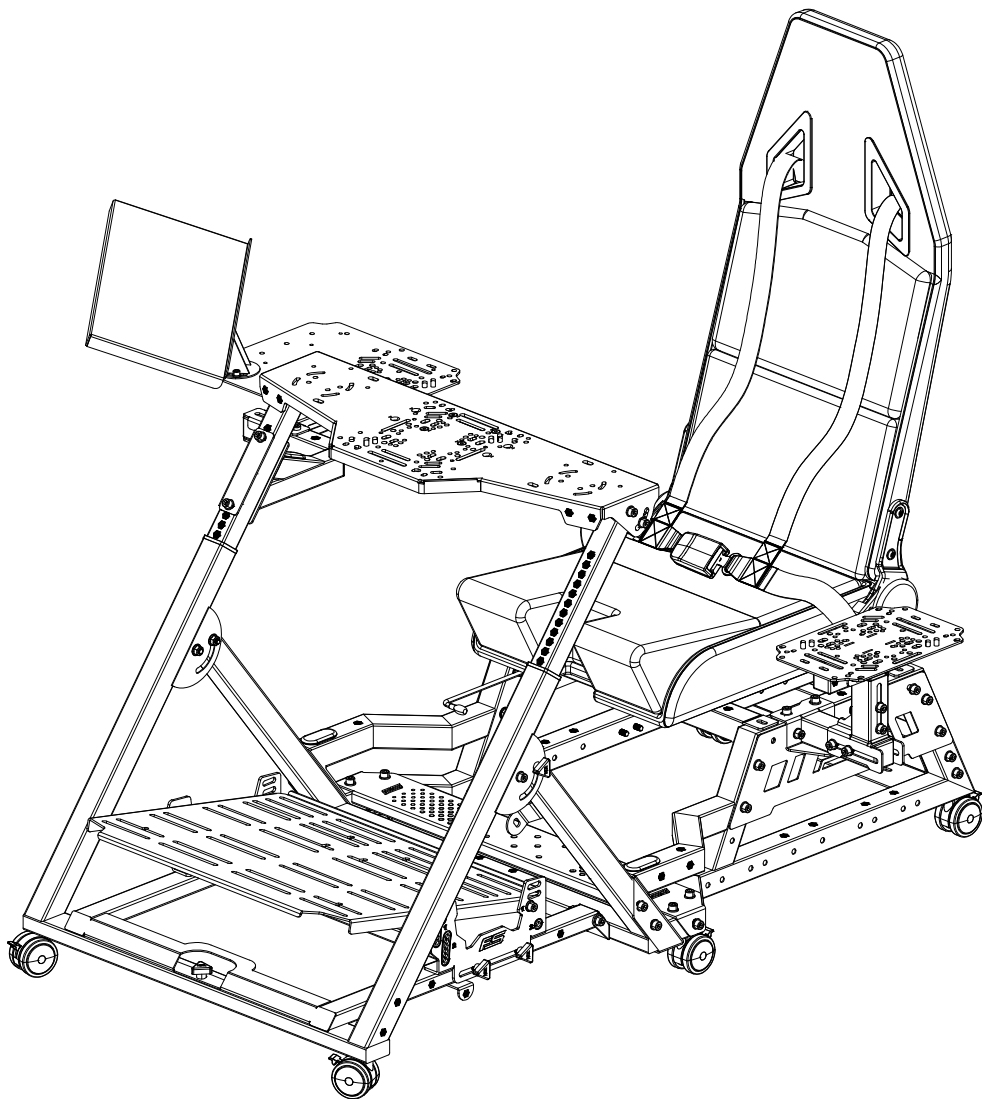
30

1) Loosen the Shoulder Bolt until the shoulder is exposed and free to move. Loosen the M8 Bolts to allow movement. 2) Adjust to the desired height and tighten both the M8 Bolt and Shoulder Bolt to secure.



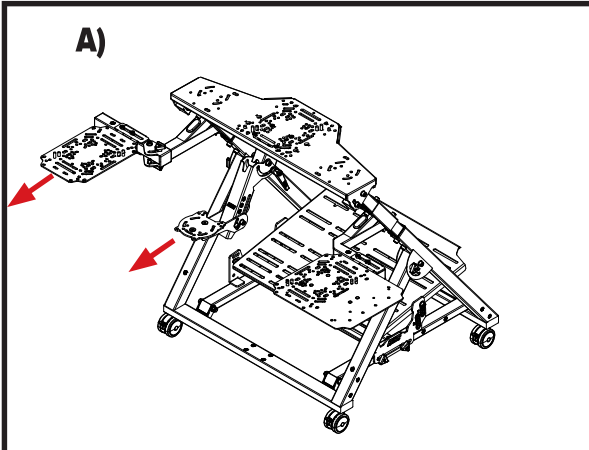
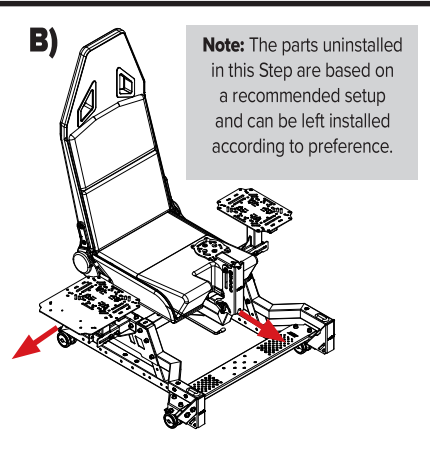
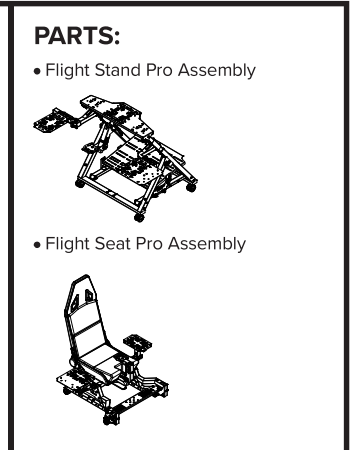
support@nextlevelracing.com

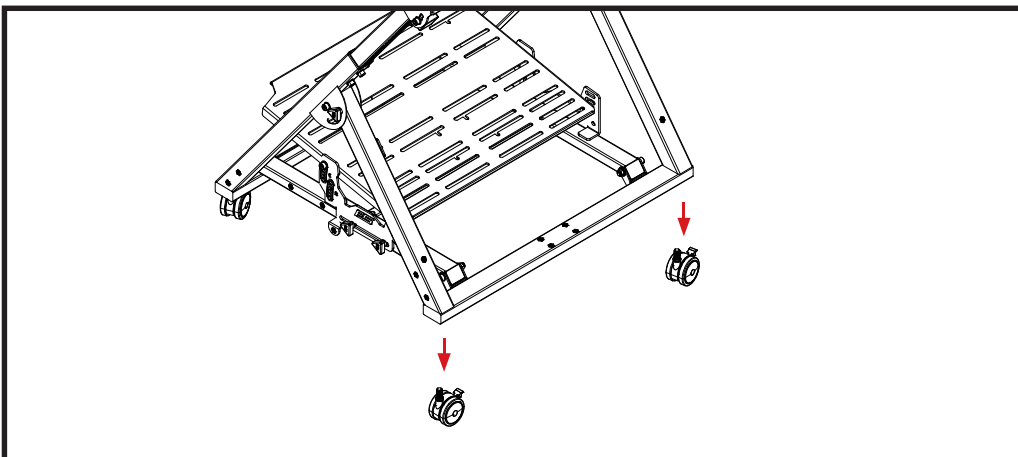
FLIGHT SIMULATOR PRO SETUP

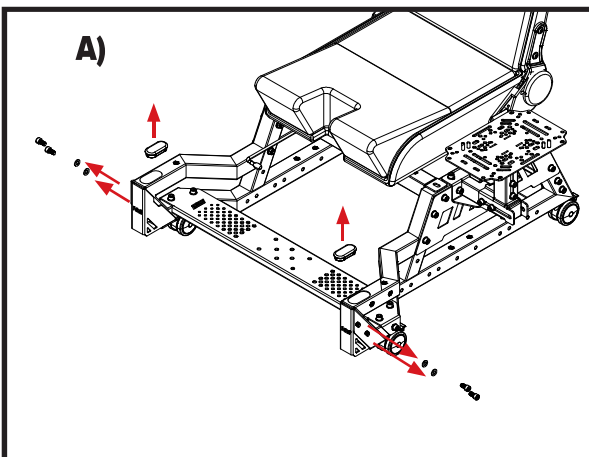
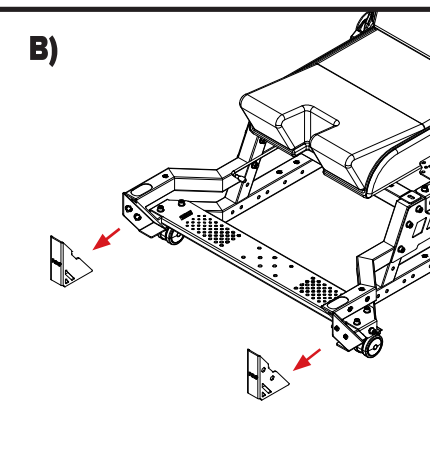


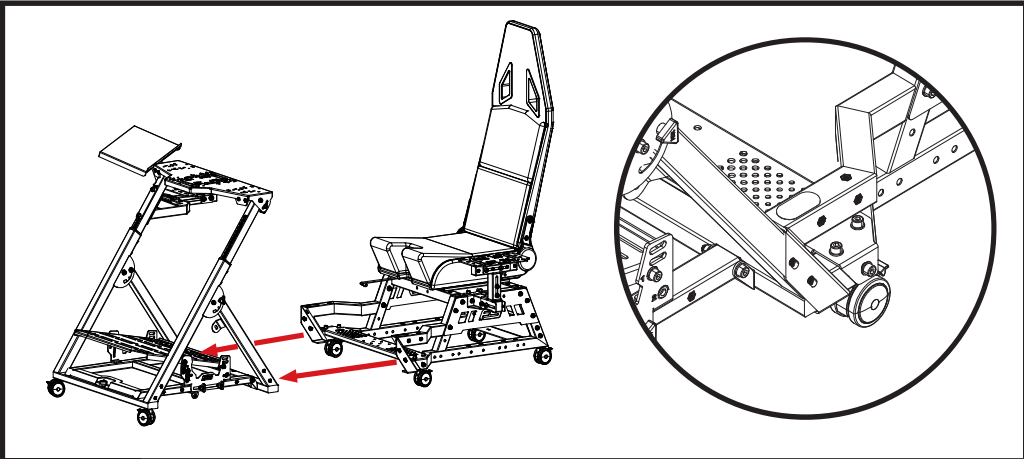


Video Instruction: bit.ly/nlrbuild

<p>A)</p> 	<p>B)</p> <p>Note: The parts uninstalled in this Step are based on a recommended setup and can be left installed according to preference.</p> 	<p>PARTS:</p> <ul style="list-style-type: none">• Flight Stand Pro Assembly• Flight Seat Pro Assembly 
<p>31 A) Uninstall the Swivel Flight Arm Assembly, and the HOTAS Centre Pole Assembly from the Frame of the Flight Stand Pro. B) Uninstall the Mouse Plate Assembly, and the HOTAS Centre Pole Assembly from the Frame of the Flight Seat Pro.</p>		

	<p>PARTS:</p> <ul style="list-style-type: none">• NIL
<p>32 Uninstall 2 x Rear Castor Wheels and Square Washers from the Flight Stand Pro Assembly.</p>	

<p>A)</p> 	<p>B)</p> 	<p>PARTS:</p> <ul style="list-style-type: none">• NIL
<p>33 A) Uninstall 4 x Bolts and Washers securing the Steel Safety Caps to the Flight Seat Pro Frame. Remove the Plastic Caps. B) Uninstall the 2 x Steel Safety Caps.</p>		

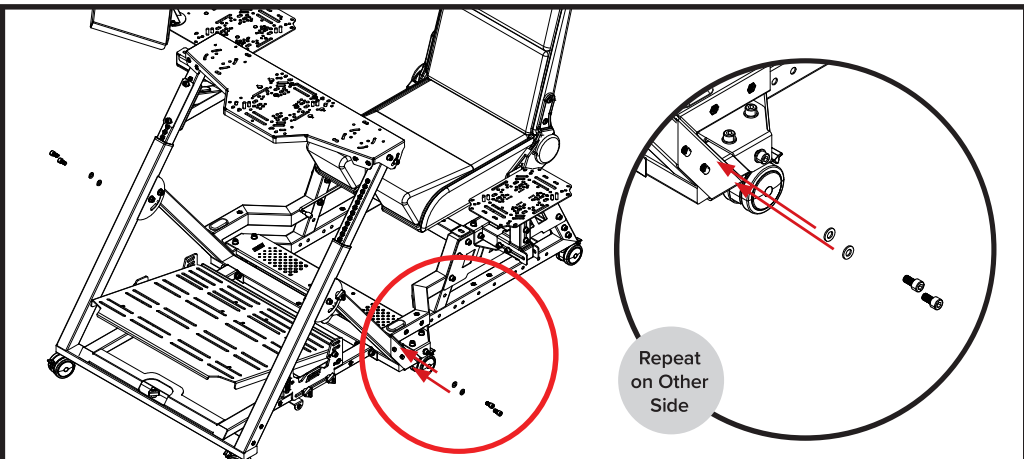


PARTS:

- NIL

34

Align the slots on the Frame of the Flight Seat Pro to the threaded inserts on the Frame of the Flight Stand Pro.

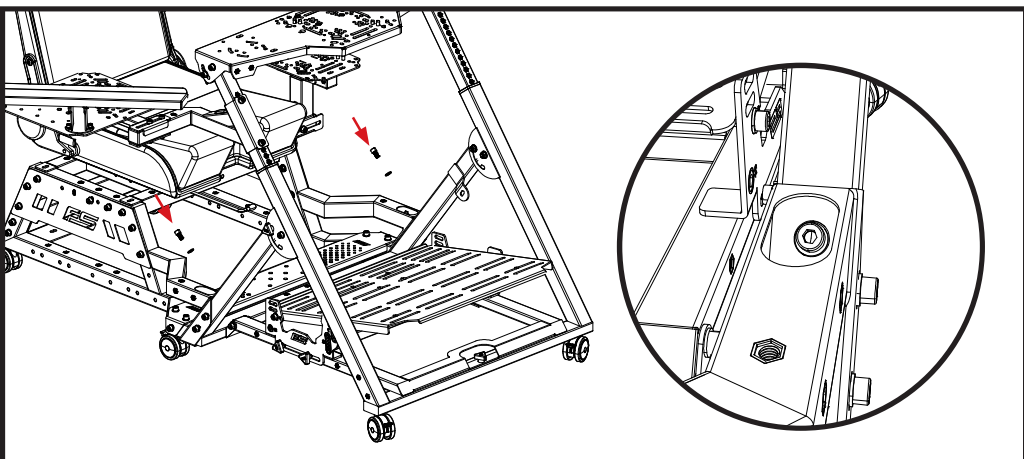


PARTS:

- NIL

35

Bolt through and secure with Bolts and Washers previously uninstalled in Step 33a. Repeat on the other side.



PARTS:

- 2 x M8 16mm Sockethead Bolts



- 2 x M8 Washers

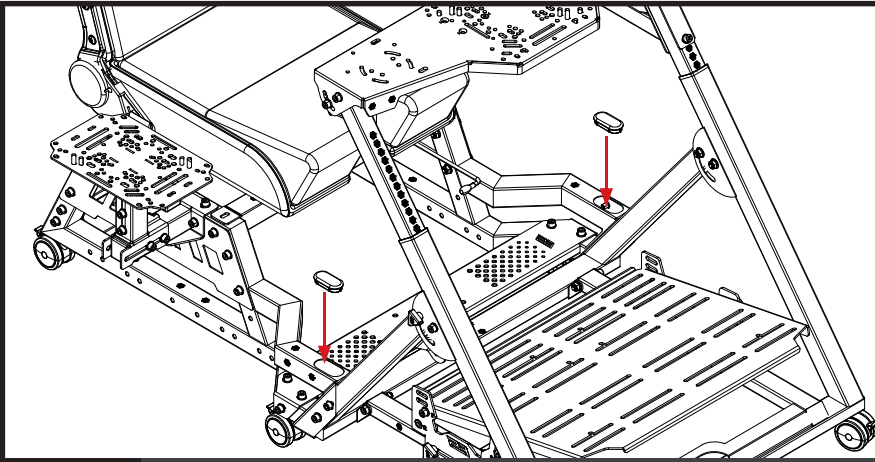


36

Bolt through the mounting cut-outs and secure with 2 x M8 Bolts and Washers.



Video Instruction: bit.ly/nlrbuild



PARTS:

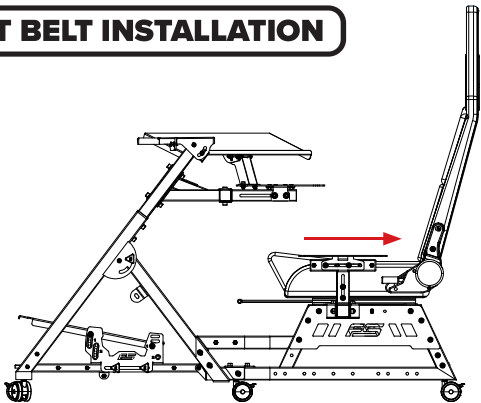
- NIL

37

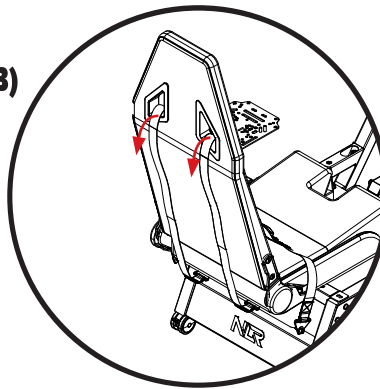
Re-install Plastic Caps previously uninstalled in Step 33a.

SEAT BELT INSTALLATION

A)

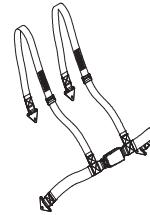


B)



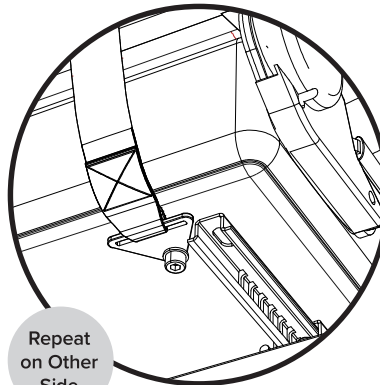
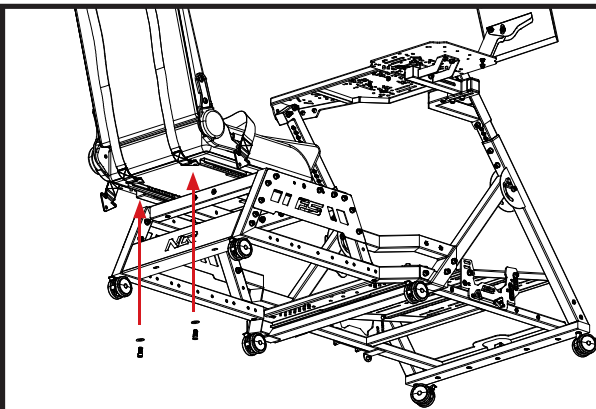
PARTS:

- 1 x Seat Belt



38

A) Slide the Seat all the way backwards.
B) Thread the Seat Belt through Seat Belt cut outs on the Flight Seat.



PARTS:

- 2 x M8 16mm Sockethead Bolts

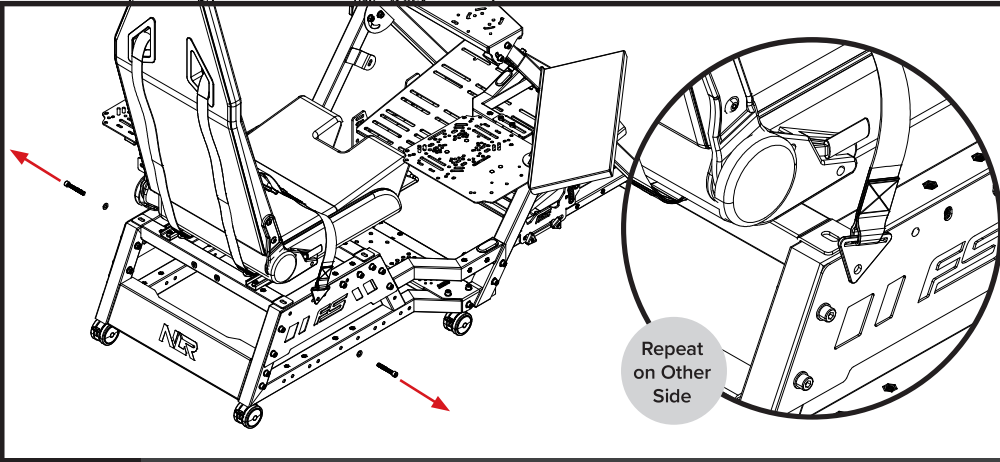


- 2 x M8 Washers



39

Align the Seat Belt mounting plates with the threaded inserts on the bottom of the Flight Seat. Bolt through and secure with 2 x M8 Bolts and Washers.

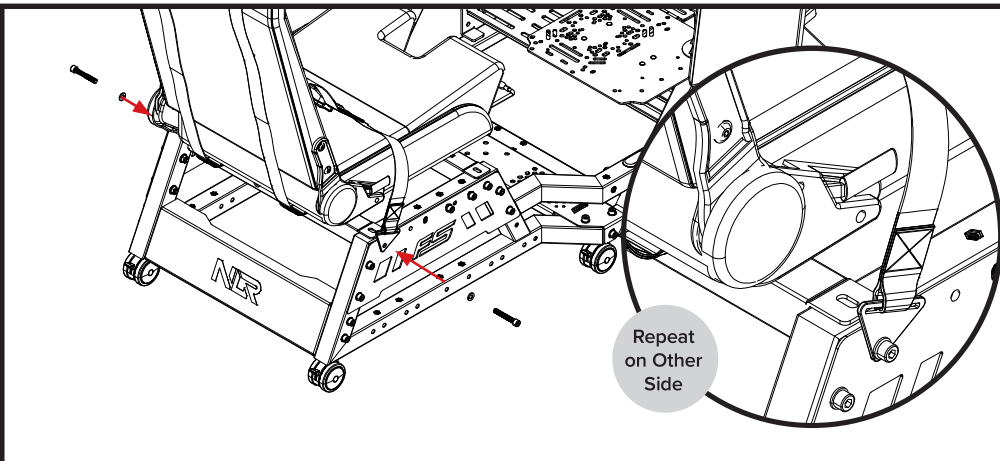


PARTS:

- NIL

40

A) Uninstall 2 x M8 Bolts and Washers securing the H Frame to the Frame.
B) Align the Seat Belt end plates to the mounting holes on the Frame.

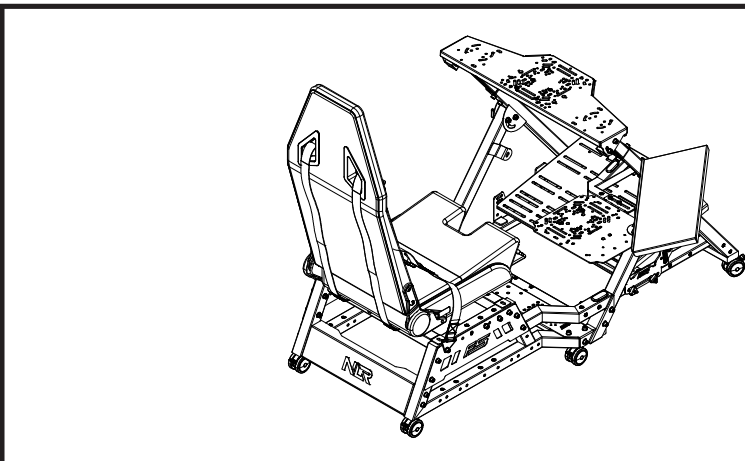


PARTS:

- NIL

41

Secure the Seat Belt end plates with the Bolts and Washers previously uninstalled in Step 40a.



PARTS:

- NIL

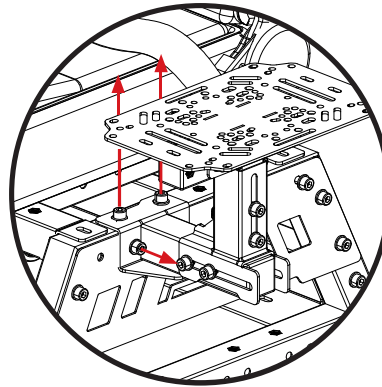
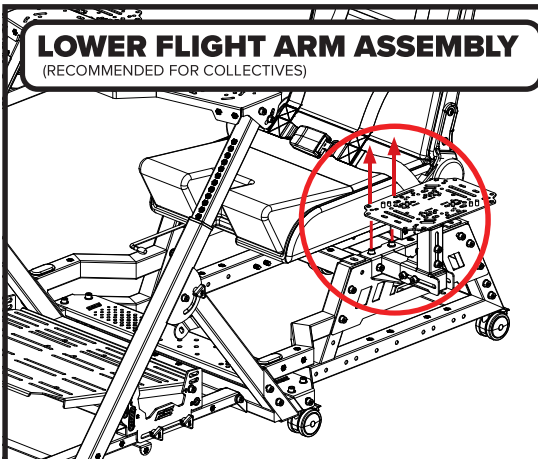
42

Your Setup is complete.



Video Instruction: bit.ly/nlrbuild

MOTION PLUS PLATFORM INSTALLATION

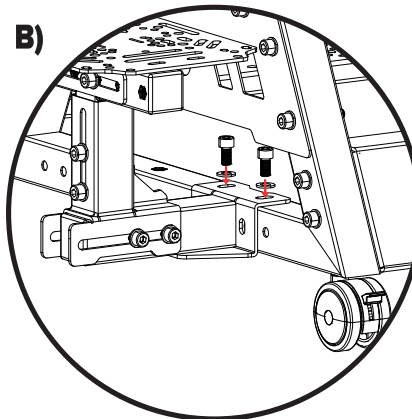
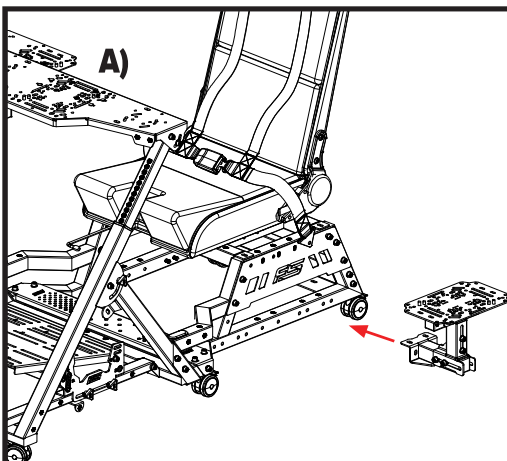


PARTS:

- NIL

43

Uninstall the Bolts and Washers securing the Flight Arm Assembly to the Frame and remove it.

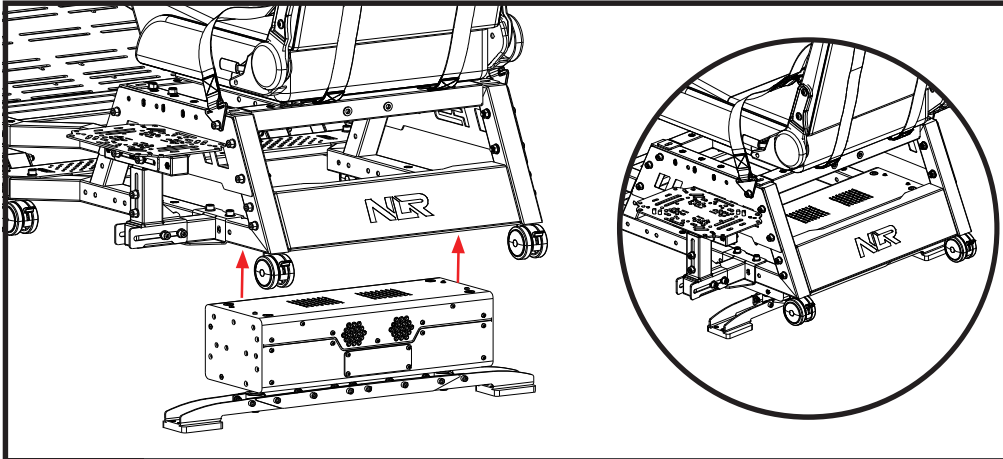


PARTS:

- NIL

44

A) Align the mounting holes on the Flight Arm Assembly with the threaded inserts on the bottom rail of the Frame.
B) Bolt through and secure with 2 x M8 Bolts and Washers previously uninstalled in Step 43.

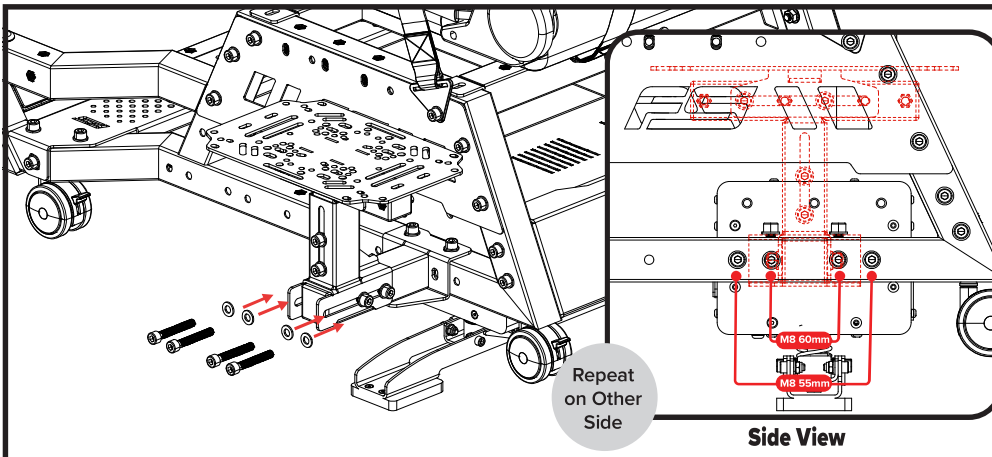


PARTS:

- NIL

45

Align the threaded inserts on the Motion Plus Platform with the mounting holes on the Frames.

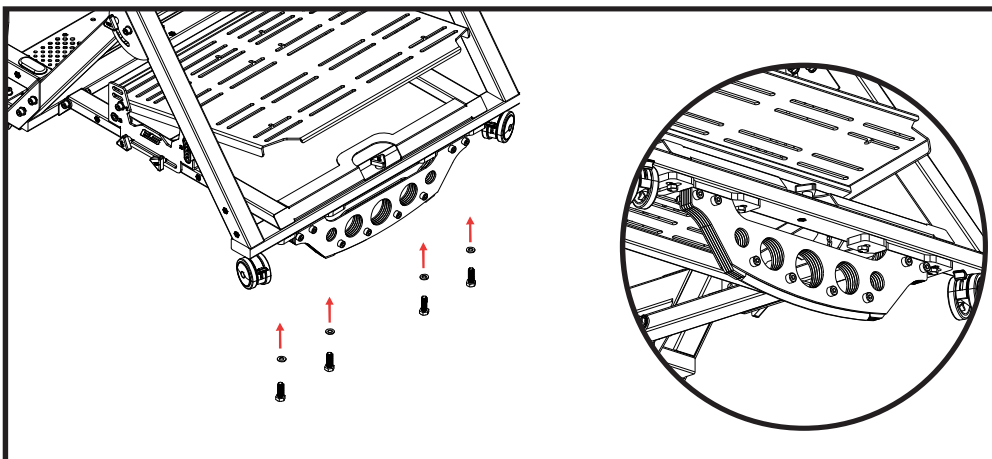


PARTS:

- 2 x M8 55mm Sockethead Bolts
- 2 x M8 60mm Sockethead Bolts
- 4 x M8 Washers

46

Bolt through and secure with 4 x M8 Bolts and Washers. Repeat on the other side.



PARTS:

- 4 x M8 25mm Hex Head Bolts (included in the Motion Plus Platform kit of parts)
- 4 x M8 Washers (included in the Motion Plus Platform kit of parts)

47

Align the mounting holes on the Pivot Bar Assembly with the threaded inserts on the Flight Stand Pro. Bolt through and Secure with 4 x M8 Bolts and Washers.

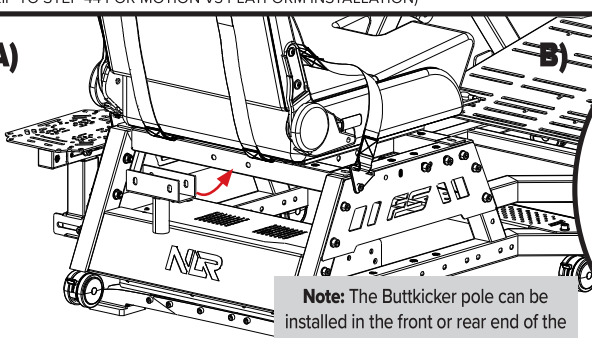


Video Instruction: bit.ly/nlrbuild

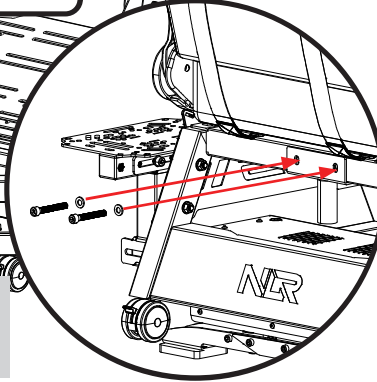
BUTTKICKER POLE INSTALLATION

(SKIP TO STEP 44 FOR MOTION V3 PLATFORM INSTALLATION)

A)



B)



Note: The Butt kicker pole can be installed in the front or rear end of the H Frame according to preference.

PARTS:

- 1 x Butt kicker Pole
- 2 x M8 60mm Sockethead Bolts
- 2 x M8 Washers
- 2 x M8 Flange Nuts

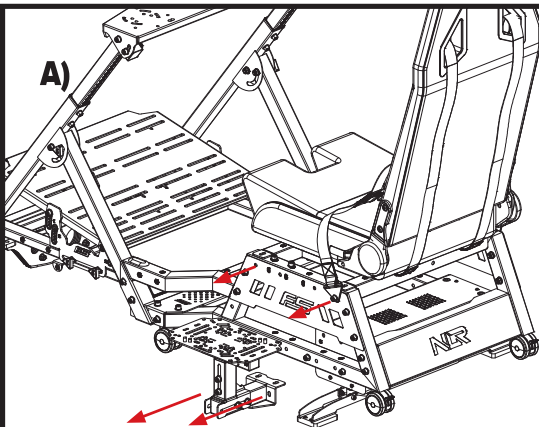
48

A) Align the mounting holes on the Butt kicker pole with the holes on the H Frame.
B) Bolt through and secure with 2 x M8 Bolts, Washers and Flange Nuts.

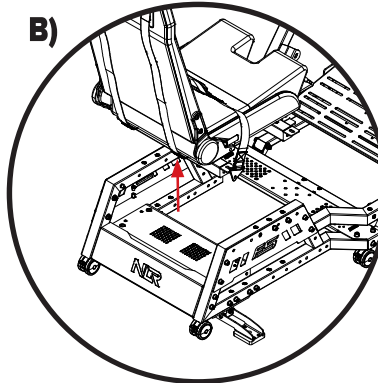
MOTION V3 PLATFORM INSTALLATION



A)



B)

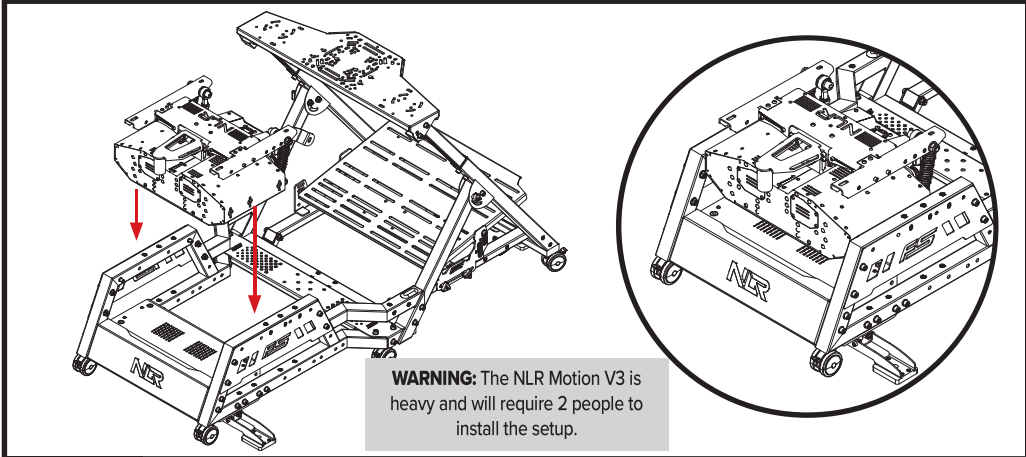


PARTS:

- NIL

49

A) Uninstall Bolts securing the Flight Arm Assembly and the H Frame to the Frame Members. Remove the Flight Arm Assembly.
B) Remove the Flight Seat Assembly.



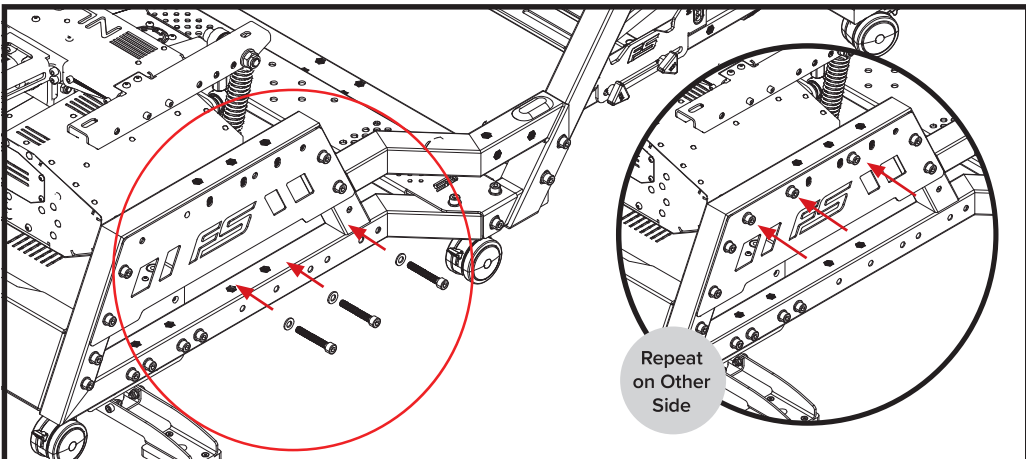
WARNING: The NLR Motion V3 is heavy and will require 2 people to install the setup.

PARTS:

- NIL

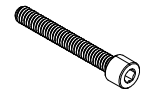
50

Align the Motion V3 unit with the mounting holes on the Frame.



PARTS:

- 6 x M8 55mm Sockethead Bolts



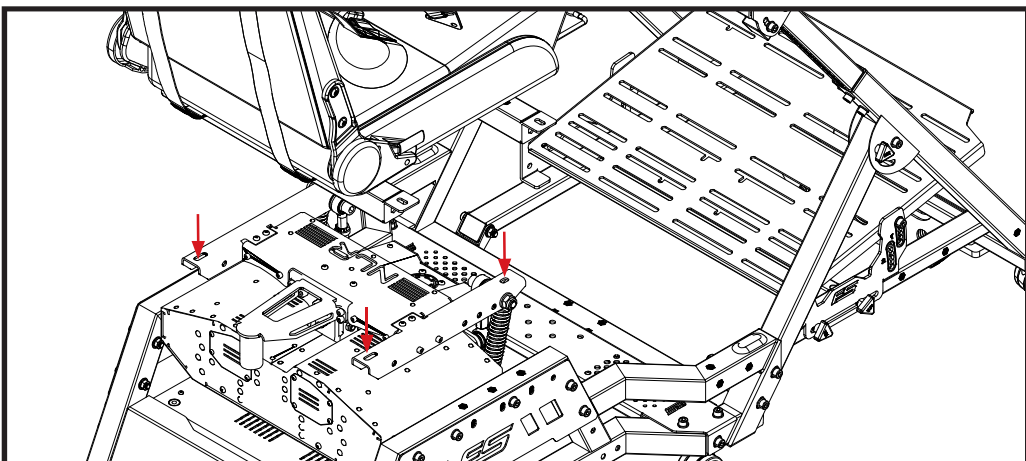
- 6 x M8 Washers



Repeat on Other Side

51

Bolt through and secure with 6 x M8 Bolts and Washers.



PARTS:

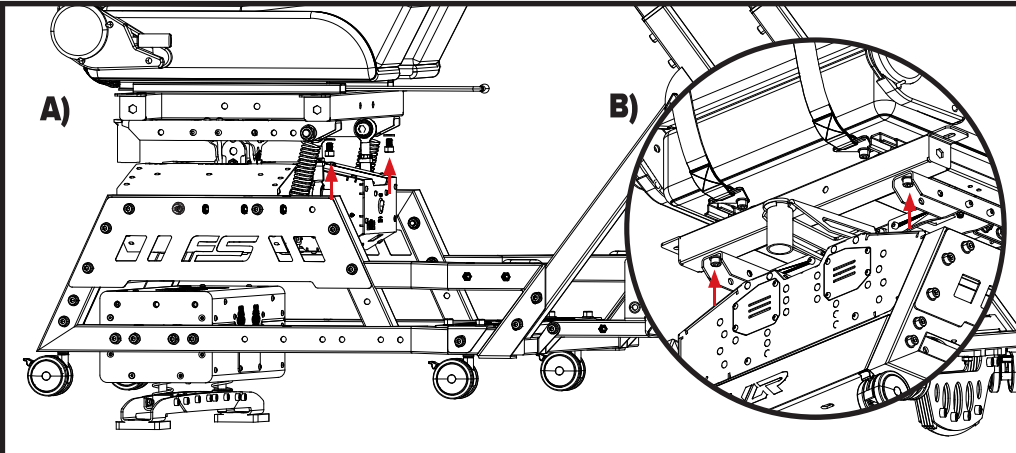
- NIL

52

Align the threaded inserts at the bottom of the H Frame installed on the Flight Seat with the mounting slots on the Motion V3 Platform.



Video Instruction: bit.ly/nlrbuild



PARTS:

- 4 x M8 16mm Sockethead Bolts



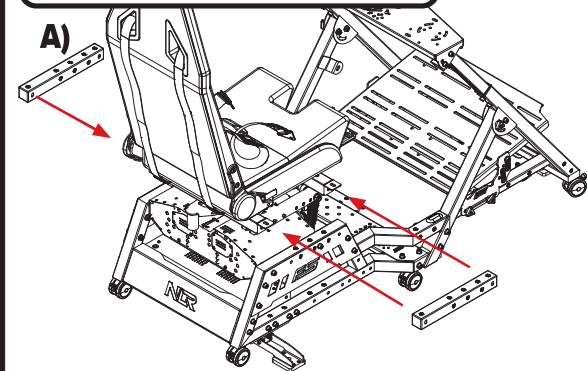
- 4 x M8 Washers



53

A) Bolt through the front mounting holes of the Motion V3 platform and secure with 2 x M8 Bolts and Washers.
B) Bolt through the rear mounting holes of the Motion V3 platform and secure with 2 x M8 Bolts and Washers.

SEAT BELT INSTALLATION

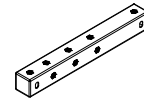


B)

Repeat
on Other
Side

PARTS:

- 2 x Motion V3 Mounting Arm



- 4 x M8 16mm Sockethead Bolts

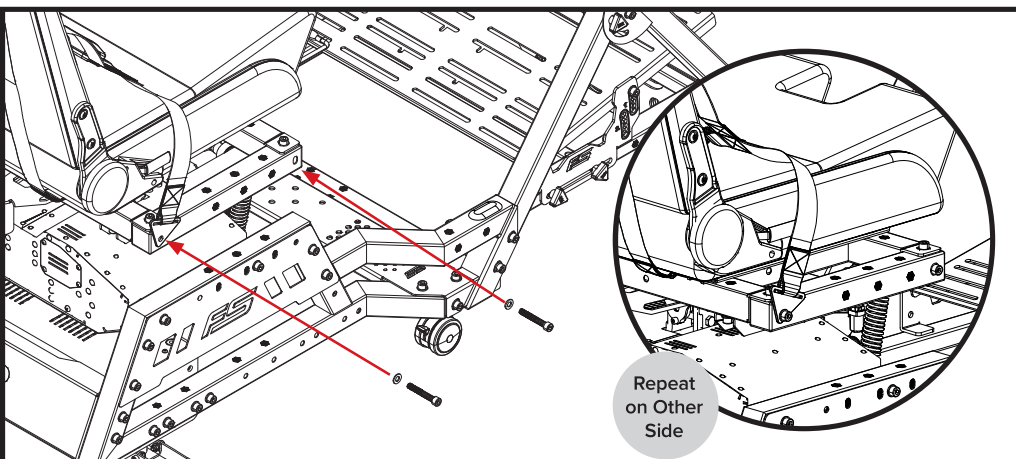


- 4 x M8 Washers



54

A) Align the threaded inserts on the Motion V3 Mounting Arm with the mounting holes on the H Frame.
B) Bolt through and secure with 2 x M8 Bolts and Washers. Repeat on the other side.



Repeat
on Other
Side

PARTS:

- 4 x M8 55mm Sockethead Bolts

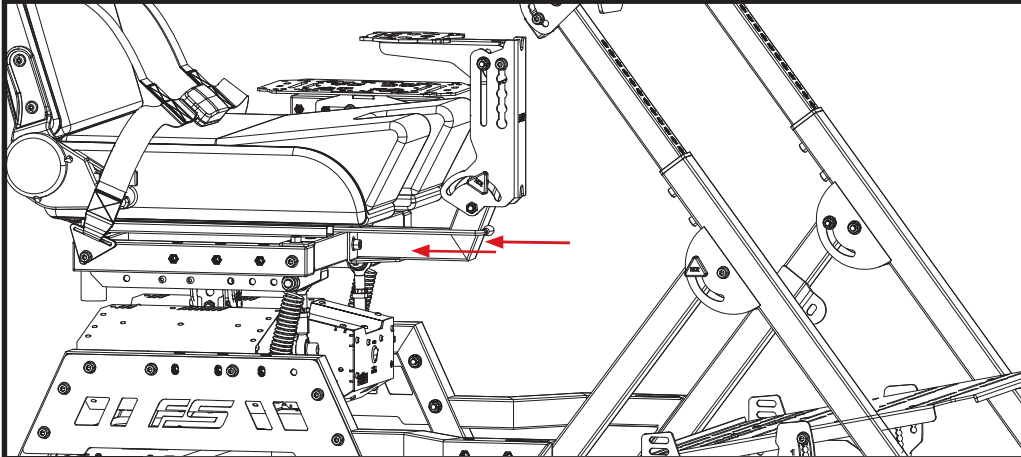


- 4 x M8 Washers



55

A) Align the Seat Belt Mounting Plate with the rear mounting hole on the Motion V3 Mounting Arm. Bolt through the Seat Mounting Plate at the rear and secure with 2 x M8 Bolts and Washers. Repeat on the other side.

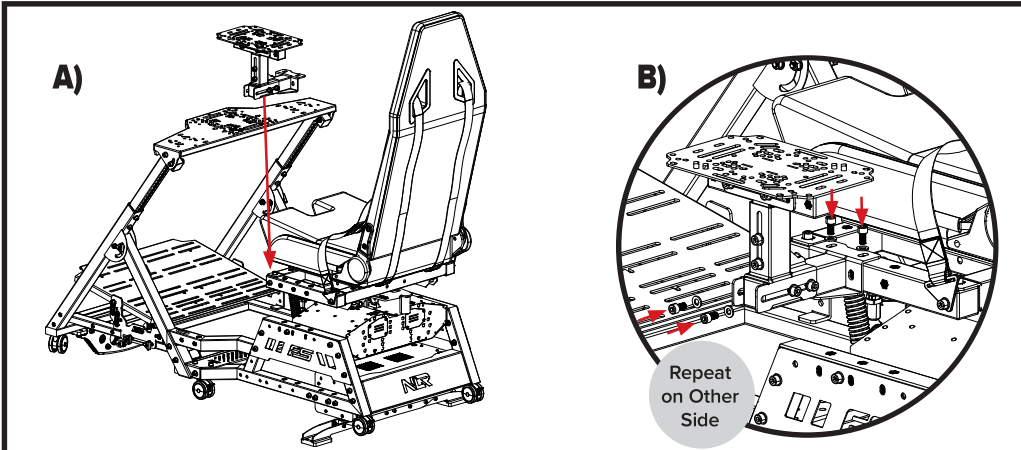


PARTS:

- NIL

56

Install the HOTAS Mount Assembly to the H Frame. Please refer to Step 24 to 27 for HOTAS Mount Assembly.



PARTS:

- 8 x M8 16mm Sockethead Bolts



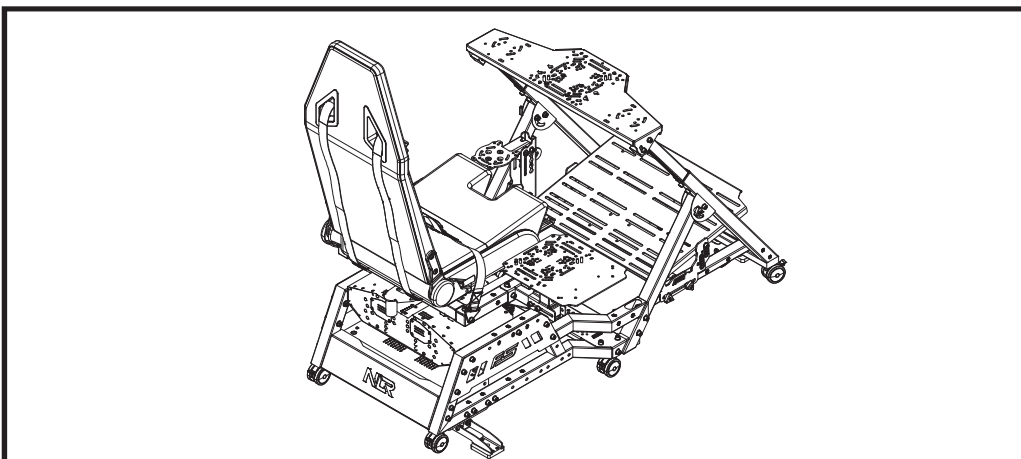
- 8 x M8 Washers



Repeat on Other Side

57

A) Align the Flight Arm Assembly with the threaded inserts on the Motion V3 Mounting Arm.
B) Bolt through and secure with 4 x M8 Bolts and Washers. Repeat the same for the Mouse Plate Assembly.



PARTS:

- NIL

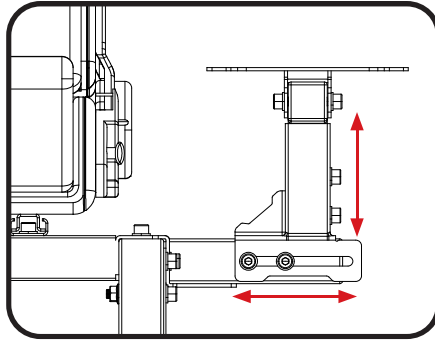
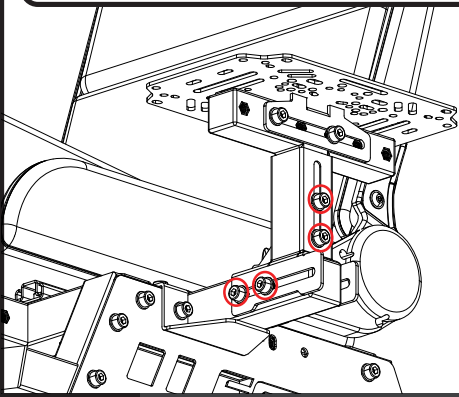
58

Your setup is complete.



Video Instruction: bit.ly/nlrbuild

FLIGHT ARM ADJUSTMENT



Front View

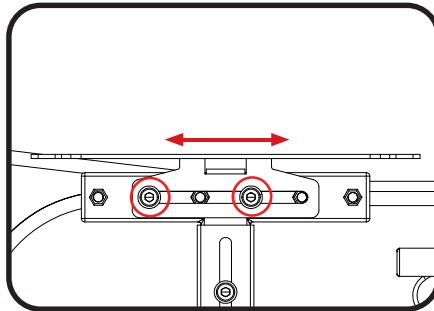
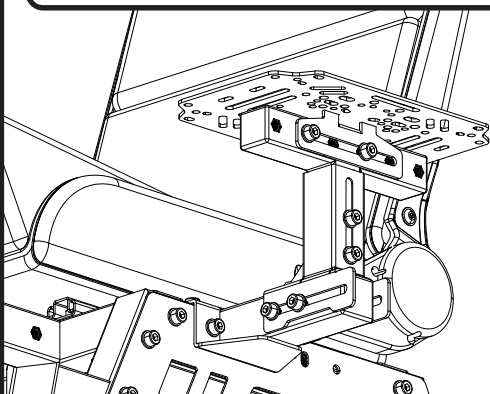
PARTS:

- NIL

59

Loosen the Bolts on the Flight Arm Assembly, adjust to the desired position and tighten the Bolts to secure.

FLIGHT/MOUSE PLATE ADJUSTMENT



Side View

PARTS:

- NIL

60

Loosen Bolts securing the Flight Plate to the Flight Arm Assembly. Adjust to the desired position and tighten the Bolts to secure.



support@nextlevelracing.com



FLIGHT SEAT PRO ENTRY LEVEL UPGRADE PATH



1 | NLR Free Standing Keyboard & Mouse Stand



2 | NLR HF8 Haptic Gaming Pad



3 | NLR Lite Free Standing Monitor Stand



4 | NLR Floor Mat



Video Instruction: bit.ly/nlrbuild



FLIGHT SEAT PRO ADVANCED UPGRADE PATH



1



NLR Flight Stand Pro

2



NLR Free Standing Keyboard & Mouse Stand

3



NLR Free Standing Triple Monitor Stand

4



NLR Floor Mat

5



NLR Motion Platform V3

6



NLR Motion Plus Platform



support@nextlevelracing.com



WARNING

Please do not use power tools for assembly as over tightening can damage parts.

If you require further support, consult the installation video or contact us at support@nextlevelracing.com

Ensure all Castor Wheels are locked before sitting on the cockpit.

Do not force parts together.

Avoid cross threading bolts.

ASSISTANCE



If you require further support with your product please contact our friendly team at: support@nextlevelracing.com



Video Instruction: bit.ly/nlrbuild

DE

FLIGHT SEAT PRO Bedienungsanleitung

Wir wissen, dass Sie gespannt darauf sind, mit dem Fliegen zu beginnen! Nehmen Sie sich Zeit für die Anweisungen und befolgen Sie diese Anleitung, um Ihr Produkt zusammenzubauen. Sie werden sich auf den Erfolg einstellen, indem Sie der Anleitung folgen, um Ihr Produkt vollständig zu optimieren.

VORFLUGKONTROLLEN

WARNUNG

- Bitte verwenden Sie keine Elektrowerkzeuge für die Montage, da zu starkes Anziehen Teile beschädigen kann.
- Wenn Sie weitere Unterstützung benötigen, sehen Sie sich das Installationsvideo an oder kontaktieren Sie uns unter support@nextlevelracing.com
- Vergewissern Sie sich, dass alle Lenkrollen verriegelt sind, bevor Sie sich auf das Cockpit setzen.
- Teile nicht mit Gewalt zusammenfügen.
- Vermeiden Sie Quergewindebolzen.

Wenn Sie Unterstützung für Ihr Produkt benötigen, wenden Sie sich bitte an unser freundliches Team unter: support@nextlevelracing.com

WARNUNG ERSTICKUNGSGEFAHR

Kleinteile nicht für Kinder unter 3 Jahren oder Personen, die dazu neigen, ungenießbare Gegenstände in den Mund zu nehmen.

START

- 01 – Siehe Bild. A) Richten Sie die linken und rechten Rahmenelemente mit den Gewindeeinsätzen an der Endplatte aus. B) Durchschrauben und mit 2 x M8 Schrauben und Unterlegscheiben sichern. Auf der anderen Seite wiederholen.
- 02 – Siehe Bild. A) Richten Sie die Befestigungslöcher an der Sicherheitsstufe mit den Gewindeeinsätzen am linken und rechten Rahmenelement aus. B) Durchschrauben und mit 3 x M8 Schrauben und Unterlegscheiben sichern. Auf der anderen Seite wiederholen.
- 03 – Siehe Bild. A) Richten Sie die linke und rechte Seitenwand mit den Befestigungslöchern an den Rahmenelementen aus. B) Durchschrauben und mit 4 x M8-Schrauben, Unterlegscheiben und Flanschmuttern sichern. Auf der anderen Seite wiederholen.
- 04 – Siehe Bild. A) Richten Sie die Gewindeeinsätze am H-Rahmen mit den Befestigungslöchern an den Rahmenelementen aus. B) Durchschrauben und mit 2 x M8 Schrauben und Unterlegscheiben sichern. Auf der anderen Seite wiederholen.
- 05 – Siehe Bild. Richten Sie die Lenkrollen und Unterlegscheiben mit den Gewindeeinsätzen an den Rahmenelementen aus. Befestigen und sichern Sie sie mit dem 14-mm-Schraubenschlüssel.
- 06 – Siehe Bild. A) Richten Sie die Stahlsicherheitskappen mit den Befestigungslöchern an den Rahmenelementen aus.
- B) Durch die Befestigungslöcher schrauben und mit 2 x M8-Schrauben und Unterlegscheiben sichern. Auf der anderen Seite wiederholen.
- 07 – Siehe Bild. A) Entfernen Sie die vorinstallierten Schrauben an der Sitzlehne.
- B) Stellen Sie die Sitzlehnen auf der Sitzfläche in eine aufrechte Position.
- 08 – Siehe Bild. A) Richten Sie die Befestigungslöcher an der Sitzfläche mit den Befestigungslöchern an den Sitzlehnen aus. B) Durchschrauben und mit den zuvor in Schritt 07a deinstallierten Schrauben sichern.
- 09 – Siehe Bild. A) Schieben Sie den Sitz nach vorne und richten Sie die Befestigungslöcher des hinteren Sitzgleiters an der Sitzbaugruppe mit den Gewindeeinsätzen am H-Rahmen aus. B) Durchschrauben und mit 2 x M8 Schrauben und Unterlegscheiben sichern.
- 10 – Siehe Bild. A) Schieben Sie den Flugsitz ganz nach hinten, um Zugang zu den vorderen Befestigungslöchern an den Sitzgleitern zu erhalten. B) Durchschrauben und mit 2 x M8 Schrauben und Unterlegscheiben sichern.
- 11 – Siehe Bild. A) Richten Sie die Befestigungslöcher am Flugarm mit den Gewindeeinsätzen am Rahmenelement aus. B) Durchschrauben und mit 4 x M8 Schrauben und Unterlegscheiben sichern.
- 12 – Siehe Bild. A) Richten Sie die Befestigungsschlitze am teleskopierbaren Außenarm mit den Gewindeeinsätzen am Flugarm aus. B) Durchschrauben und mit 4 x M8 Schrauben und Unterlegscheiben sichern.
- 13 – Siehe Bild. A) Richten Sie die Gewindeeinsätze am teleskopierbaren inneren Arm mit dem Befestigungsschlitze am teleskopierbaren äußeren Arm aus. B) Durchschrauben und mit 2 x M8 Schrauben und Unterlegscheiben sichern.
- 14 – Siehe Bild. A) Richten Sie die Befestigungsschlitze an der Flugplatte mit den Gewindeeinsätzen am teleskopierbaren Innenarm aus. B) Durchschrauben und mit 4 x M8 Schrauben und Unterlegscheiben sichern.
- 15 – Siehe Bild. A) Richten Sie die Befestigungslöcher am Flugarm mit den Gewindeeinsätzen am Rahmenelement aus. B) Durchschrauben und mit 4 x M8 Schrauben und Unterlegscheiben sichern.
- 16 – Siehe Bild. A) Richten Sie die Befestigungsschlitze am teleskopierbaren Außenarm mit den Gewindeeinsätzen am Flugarm aus. B) Durchschrauben und mit 4 x M8 Schrauben und Unterlegscheiben sichern.
- 17 – Siehe Bild. A) Richten Sie die Gewindeeinsätze am teleskopierbaren inneren Arm mit dem Befestigungsschlitze am teleskopierbaren äußeren Arm aus. B) Durchschrauben und mit 2 x M8 Schrauben und Unterlegscheiben sichern.
- 18 – Siehe Bild. A) Richten Sie die Befestigungsschlitze an der Mausplatte mit den Gewindeeinsätzen am teleskopierbaren Innenarm aus. B) Durchschrauben und mit 4 x M8 Schrauben und Unterlegscheiben sichern.
- 19 – Siehe Bild. Richten Sie die Kunststoffkappen an den Bolzenanschnitten an den Rahmenelementen aus und drücken Sie sie fest, bis sie passen.
- 20 – Siehe Bild. A) Richten Sie die Befestigungslöcher an der HOTAS Extension Mount mit den Befestigungslöchern an der Sicherheitsstufe aus. B) Durchschrauben und mit 4 x M8-Schrauben, Unterlegscheiben und Flanschmuttern sichern.
- 21 – Siehe Bild. 1) Durch die HOTAS-Platte schrauben und mit 4 x M8-Schrauben und Flanschmuttern sichern. 2) Die HOTAS-Plattenbaugruppe mit den Befestigungslöchern an der HOTAS-Verlängerungs-Einstellhalterung ausrichten und mit 4 x M8-Flanschmuttern sichern.
- 22 – Siehe Bild. Richten Sie die Montagesschlitze an der HOTAS Extension Adjustment Bracket-Baugruppe mit den Gewindeeinsätzen an der HOTAS Extension Mount aus. Durchschrauben und mit 4 x M8 Schrauben und Unterlegscheiben sichern.
- 23 – Siehe Bild. Lösen Sie die Schrauben, mit denen die HOTAS-Plattenbaugruppe an der HOTAS-Verlängerungshalterung befestigt ist. Stellen Sie die gewünschte Höhe ein und ziehen Sie sie fest, um sie zu sichern.
- 24 – Siehe Bild. A) Demontieren Sie das Sitzbodenkissen. Richten Sie die Befestigungslöcher an der Mittelstangenhalterung an den Befestigungslöchern am H-Rahmen aus. B) Durchschrauben und mit 2 x M8-Schrauben, Unterlegscheiben und Flanschmuttern sichern.
- 25 – Siehe Bild. A) Richten Sie die Befestigungslöcher an der Mittelstangenhalterung mit den Befestigungsschlitzen und Einsätzen an der Mittelstangenhalterung aus. B) Durchschrauben und mit 2 x M8-Knöpfen und Unterlegscheiben und 1 x M8-Schraube, Ny-Lock-Mutter und Unterlegscheibe sichern.
- 26 – Siehe Bild. A) Richten Sie die Gewindeeinsätze und Schlitze an der HOTAS-Winkelhalterung mit den Befestigungsschlitzen an der Mittelstangenhalterung aus. B) Durchschrauben und mit 1 x M8-Schraube, 2 x M8-Schulter-schrauben, 1 x Unterlegscheibe und Flanschmutter sichern.
- 27 – Siehe Bild. A) Installieren Sie das zuvor in Schritt 24 deinstallierte Sitzflächenpolster. B) Richten Sie die Befestigungslöcher an der HOTAS-Platte mit den Gewindeeinsätzen an der HOTAS-Winkelhalterung aus. Durchschrauben und mit 2 x M8 Schrauben sichern.
- 28 – Siehe Bild. A) Lösen Sie die Knöpfe, mit denen die Mittelstangenhalterung an der Mittelstangenhalterung befestigt ist. B) Stellen Sie den gewünschten Winkel ein und ziehen Sie die Knöpfe fest, um ihn zu sichern.
- 29 – Siehe Bild. A) Lösen Sie die Schrauben, mit denen die HOTAS-Winkelhalterung an der Mittelstangenhalterung befestigt ist. B) Stellen Sie den gewünschten Winkel ein und ziehen Sie die Schrauben fest, um ihn zu sichern.
- 30 – Siehe Bild. 1) Lösen Sie die Schulter-schraube, bis die Schulter freiliegt und sich frei bewegen kann. Lösen Sie die M8-Schrauben, um Bewegung zu ermöglichen. 2) Stellen Sie die gewünschte Höhe ein und ziehen Sie sowohl die M8-Schraube als auch die Schulter-schraube fest, um sie zu sichern.
- 31 – Siehe Bild. A) Deinstallieren Sie die schwenkbare Flugarmbaugruppe und die HOTAS-Mittelstangenbaugruppe vom Rahmen des Flight Stand Pro. B) Deinstallieren Sie die Mausplattenbaugruppe und die HOTAS-Mittelstangenbaugruppe vom Rahmen des Flight Seat Pro.
- 32 – Siehe Bild. Deinstallieren Sie 2 x hintere Lenkrollen und quadratische Unterlegscheiben von der Flight Stand Pro-Baugruppe.
- 33 – Siehe Bild. A) Entfernen Sie 4 x Schrauben und Unterlegscheiben, mit denen die Stahlsicherheitskappen am Rahmen des Flight Seat Pro befestigt sind. Entfernen Sie die Plastik-kappen. B) Entfernen Sie die 2 x Sicherheitskappen aus Stahl.
- 34 – Siehe Bild. Richten Sie die Schlitze am Rahmen des Flight Seat Pro an den Gewindeeinsätzen am Rahmen des Flight Stand Pro aus.
- 35 – Siehe Bild. Durchschrauben und mit Schrauben und Unterlegscheiben sichern, die zuvor in Schritt 33a deinstalliert wurden. Auf der anderen Seite wiederholen.
- 36 – Siehe Bild. Durch die Montageausschnitte schrauben und mit 2 x M8 Schrauben und Unterlegscheiben sichern.
- 37 – Siehe Bild. Installieren Sie die zuvor in Schritt 33a deinstallierten Plastik-kappen erneut.
- 38 – Siehe Bild. A) Schieben Sie den Sitz ganz nach hinten. B) Führen Sie den Sicherheitsgurt durch die Sicherheitsgurtausschnitte am Flugsitz.
- 39 – Siehe Bild. Richten Sie die Sicherheitsgurt-Befestigungsplatten an den Gewindeeinsätzen an der Unterseite des Flight Seat aus. Durchschrauben und mit 2 x M8 Schrauben und Unterlegscheiben sichern.
- 40 – Siehe Bild. A) Entfernen Sie die 2 x M8-Schrauben und Unterlegscheiben, mit denen der H-Rahmen am Rahmen befestigt ist. B) Richten Sie die Sicherheitsgurt-Endplatten an den Befestigungslöchern am Rahmen aus.
- 41 – Siehe Bild. Befestigen Sie die Sicherheitsgurt-Endplatten mit den zuvor in Schritt 40a demontierten Schrauben und Unterlegscheiben.
- 42 – Siehe Bild. Ihre Einrichtung ist abgeschlossen.
- 43 – Siehe Bild. Entfernen Sie die Schrauben und Unterlegscheiben, mit denen die Flugarmbaugruppe am Rahmen befestigt ist, und entfernen Sie sie.
- 44 – Siehe Bild. A) Richten Sie die Befestigungslöcher an der Flugarmbaugruppe mit den Gewindeeinsätzen an der unteren Schiene des Rahmens aus. B) Durchschrauben und mit 2 x M8-Schrauben und Unterlegscheiben sichern, die zuvor in Schritt 43 deinstalliert wurden.
- 45 – Siehe Bild. Richten Sie die Gewindeeinsätze an der Motion Plus-Plattform an den Befestigungslöchern an den Rahmen aus.
- 46 – Siehe Bild. Durchschrauben und mit 4 x M8 Schrauben und Unterlegscheiben sichern. Auf der anderen Seite wiederholen.
- 47 – Siehe Bild. Richten Sie die Befestigungslöcher an der Pivot Bar Assembly mit den Gewindeeinsätzen am Flight Stand Pro aus. Durchschrauben und mit 4 x M8 Schrauben und Unterlegscheiben sichern.
- 48 – Siehe Bild. A) Richten Sie die Befestigungslöcher an der Butt-kicker-Stange an den Löchern am H-Rahmen aus. B) Durchschrauben und mit 2 x M8-Schrauben, Unterlegscheiben und Flanschmuttern sichern. **WARNUNG**
- 49 – Siehe Bild. A) Entfernen Sie die Schrauben, mit denen die Flugarmbaugruppe und der H-Rahmen an den Rahmenelementen befestigt sind. Entfernen Sie die Flugarmbaugruppe. B) Entfernen Sie die Flight Seat-Baugruppe.
- 50 – Siehe Bild. Richten Sie die Motion V3-Einheit an den Befestigungslöchern am Rahmen aus.
- 51 – Siehe Bild. Durchschrauben und mit 6 x M8 Schrauben und Unterlegscheiben sichern.
- 52 – Siehe Bild. Richten Sie die Gewindeeinsätze an der Unterseite des H-Rahmens, der auf dem Flight Seat installiert ist, mit den Montagesschlitzen auf der Motion V3-Plattform aus.
- 53 – Siehe Bild. A) Schrauben Sie durch die vorderen Befestigungslöcher der Motion V3-Plattform und sichern Sie sie mit 2 x M8-Schrauben und Unterlegscheiben. B) Durch die hinteren Befestigungslöcher der Motion V3-Plattform schrauben und mit 2 x M8-Schrauben und Unterlegscheiben sichern.
- 54 – Siehe Bild. A) Richten Sie die Gewindeeinsätze am Motion V3-Montagearm an den Montagelöchern am H-Rahmen aus. B) Durchschrauben und mit 2 x M8 Schrauben und Unterlegscheiben sichern. Auf der anderen Seite wiederholen.
- 55 – Siehe Bild. Richten Sie die Sicherheitsgurt-Montageplatte mit dem hinteren Montageloch am Motion V3-Montagearm aus. Schrauben Sie die Sitzbefestigungsplatte hinten durch und sichern Sie sie mit 2 x M8-Schrauben und Unterlegscheiben. Auf der anderen Seite wiederholen.
- 56 – Siehe Bild. Installieren Sie die HOTAS-Montagebaugruppe am H-Rahmen. Bitte beachten Sie die Schritte 24 bis 27 für die Montage der HOTAS-Halterung.
- 57 – Siehe Bild. A) Richten Sie die Flugarmbaugruppe mit den Gewindeeinsätzen am Motion V3-Montagearm aus. B) Durchschrauben und mit 4 x M8 Schrauben und Unterlegscheiben sichern. Wiederholen Sie dasselbe für die Mausplattenbaugruppe.
- 58 – Siehe Bild. Ihre Einrichtung ist abgeschlossen.
- 59 – Siehe Bild. Lösen Sie die Schrauben an der Flugarmbaugruppe, stellen Sie sie auf die gewünschte Position ein und ziehen Sie die Schrauben fest, um sie zu sichern.
- 60 – Siehe Bild. Lösen Sie die Schrauben, mit denen die Flugplatte an der Flugarmbaugruppe befestigt ist. Stellen Sie die gewünschte Position ein und ziehen Sie die Schrauben fest, um sie zu sichern.

WARNUNG

- Bitte verwenden Sie keine Elektrowerkzeuge für die Montage, da zu starkes Anziehen Teile beschädigen kann.
- Wenn Sie weitere Unterstützung benötigen, sehen Sie sich das Installationsvideo an oder kontaktieren Sie uns unter support@nextlevelracing.com
- Vergewissern Sie sich, dass alle Lenkrollen verriegelt sind, bevor Sie sich auf das Cockpit setzen.
- Teile nicht mit Gewalt zusammenfügen.
- Vermeiden Sie Quergewindebolzen.