

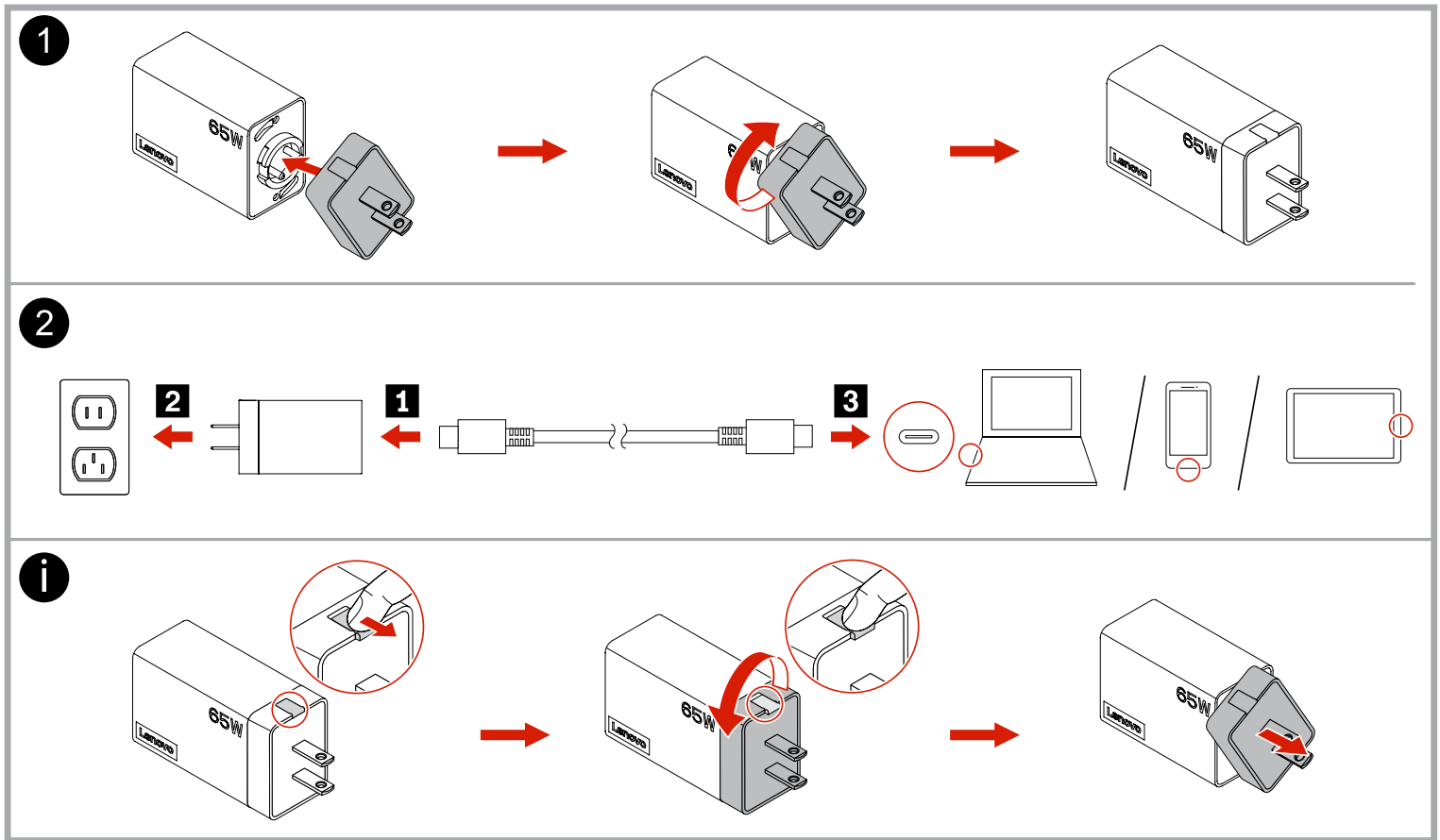
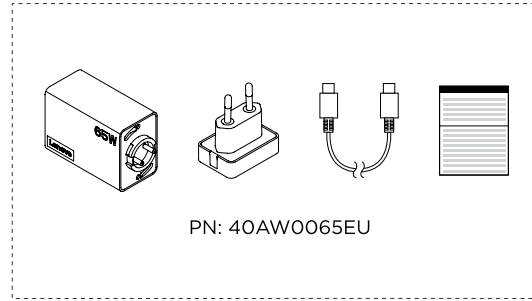
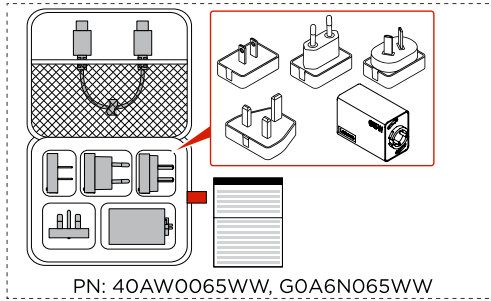
Lenovo 65W USB-C AC Travel Adapter

<https://support.lenovo.com>



PN: SP40X49210
Printed in China

Lenovo



Important information

English

- Tips:**
- Usage of accompanying travel plugs are the same.
 - Do not detach the travel plug while charging.
 - The actual charging time of the adapter depends on many factors, such as the power connector type of the device to be charged and operating environments.
 - The operating temperature range for the adapter is between 0°C (32°F) and 30°C (86°F).

Arabic

تلميحات:

- استخدام قوايس السفر المرافقة هو نفسه.
- لا تفصل قوايس السفر أثناء الشحن.
- يتوقف وقت الشحن الفعلي للمحول على عوامل كثيرة، مثل نوع موصل الطاقة للجهاز الذي تريد شحنه وبيئات التشغيل.
- يتراوح نطاق درجة حرارة تشغيل المحول بين 0° مئوية (32° فهرنهايت) و30° مئوية (86° فهرنهايت).

Reduce | Reuse | Recycle



Brazilian Portuguese

Dicas:

- O uso dos plugues de viagem inclusos é o mesmo.
- Não desconecte o plugue de viagem enquanto estiver carregando.
- O tempo real de carregamento do adaptador depende de muitos fatores, como o tipo de conector de energia do dispositivo a ser carregado e ambientes operacionais.
- A faixa de temperatura de operação do adaptador está entre 0 °C (32 °F) e 30 °C (86 °F).

Bulgarian

Съвети:

- Употребата на допълнителни адаптери за пътуване е същата.
- Не разкачвайте адаптера за пътуване, докато се извършва зареждане.
- Действителното време за зареждане на адаптера зависи от много фактори, като например типа на захранващия конектор на устройството, което трябва да бъде заредено и средата, в която се извършва действието.
- Работният температурен диапазон за адаптера е между 0°C (32°F) и 30°C (86°F).

Czech

Rady:

- Použití přiložených cestovních zástrček je stejné.

First Edition (April 2020)
© Copyright Lenovo 2020.

LIMITED AND RESTRICTED RIGHTS NOTICE: If data or software is delivered pursuant to a General Services Administration "GSA" contract, use, reproduction, or disclosure is subject to restrictions set forth in Contract No. GS-35F-05925.

- Během nabíjení cestovní zástrčku neodpojujte.
- Skutečná doba nabíjení adaptéru závisí na mnoha faktorech, jako je typ napájecího konektoru zařízení, které má být nabíjeno, a provozní prostředí.
- Rozsah provozní teploty adaptéru je 0-30°C.

Dutch

Tips:

- Het gebruik van de bijbehorende reisstekkers is hetzelfde.
- Ontkoppel de reisstekker niet tijdens het opladen.
- De werkelijke oplaadtijd van de adapter is afhankelijk van een groot aantal factoren, zoals het type voedingsaansluiting van het apparaat dat moet worden opgeladen en de gebruiksomgevingen.
- De bedrijfstemperatuur van de adapter ligt tussen 0 °C en 30 °C.

French

Conseils :

- L'utilisation des adaptateurs de voyage fournis est la même.
- Ne détachez pas l'adaptateur de voyage lors du chargement.
- Le temps de charge réel de l'adaptateur dépend de plusieurs facteurs, tels que le type de connecteur d'alimentation de l'appareil et de l'environnement d'exploitation.
- La température de fonctionnement de l'adaptateur est entre 0°C et 30°C.

German
<div>Tipps:</div> <div><ul style="list-style-type: none">Die Verwendung des zugehörigen Reisesteckers funktioniert genauso.Ziehen Sie den Reisestecker während des Ladens nicht ab.Die tatsächliche Ladezeit des Adapters hängt von vielen Faktoren ab, wie z. B. vom Netzteilanschluss des zu ladenden Geräts und von der Betriebsumgebung.Der Betriebstemperaturbereich für den Adapter liegt zwischen 0 °C und 30 °C.</div>

Greek
<div>Συμβουλές:</div> <div><ul style="list-style-type: none">Η χρήση των συνοδευτικών βυσμάτων ταξιδιού είναι η ίδια.Μην αποσυνδέσετε το βύσμα ταξιδιού κατά τη φόρτιση.Ο πραγματικός χρόνος φόρτισης του μετασχηματιστή εξαρτάται από πολλούς παράγοντες, όπως τον τύπο της υποδοχής προφθοσκίας της συσκευής προς φόρτιση και τα περιβάλλοντα λειτουργίας.Το εύρος των θερμοκρασιών λειτουργίας για τον μετασχηματιστή κυμαίνεται μεταξύ 0 °C και 30 °C.</div>

Hungarian
<div>Tippek:</div> <div><ul style="list-style-type: none">A mellékelt univerzális töltők használatára ugyanez vonatkozik.Töltés közben ne húzza ki az univerzális töltőt.Az adapter tényleges töltési ideje számos tényezőtől függ, így például a feltöltendő eszköz hálózati csatlakozójának típusától és az üzemeltetési környezettől.A termék üzemeltetési tartományáa 0°C (32°F) és 30°C (86°F) között van.</div>

Italian
<div>Suggerimenti:</div> <div><ul style="list-style-type: none">Utilizzare spine da viaggio di tipo equivalente.Non scollegare la spina da viaggio durante la ricarica.Il tempo di ricarica effettivo dell'adattatore dipende da molti fattori, come ad esempio il tipo di connettore di alimentazione del dispositivo da caricare e gli ambienti operativi.La temperatura di funzionamento dell'adattatore deve essere compresa tra 0 °C (32 °F) e 30 °C (86 °F).</div>

Japanese
<div>ヒント:</div> <div><ul style="list-style-type: none">付属のトラベル・プラグの使用方法は同じです。充電中にトラベル・プラグを外さないでください。アダプターの実際の充電時間は、充電するデバイスの電源コネクター・タイプや稼働環境など多くの要因によって異なります。アダプターの可動温度は 0°C (32°F) ~ 30°C (86°F) です。</div>

Polish
<div>Porady:</div> <div><ul style="list-style-type: none">Zastosowanie dołączonych wtyczek podróżnych jest takie samo.Nie odłączaj wtyczki podróżnej w trakcie ładowania.Rzeczywisty czas ładowania zasilacza zależy od wielu czynników, takich jak rodzaj złączca zasilania ładowanego urządzenia i środowisko pracy.Temperatura otoczenia dla zasilacza wynosi między 0°C (32°F) a 30°C (86°F).</div>

Portuguese
<div>Sugestões:</div> <div><ul style="list-style-type: none">A utilização dos adaptadores de viagem fornecidos é feita da mesma forma.Não retire o adaptador de viagem durante o carregamento.O tempo de carregamento real do adaptador depende de vários fatores, como o tipo de conector de alimentação do dispositivo, o dispositivo a carregar e os ambientes de funcionamento.O intervalo de temperatura de funcionamento do adaptador é de 0° C (32° F) e d 30° C (86° F).</div>

Romanian
<div>Sfaturi:</div> <div><ul style="list-style-type: none">Utilizarea conectorilor de călătorie însoțitori este aceeași.Nu scoateți conectorul de călătorie în timpul încărcării.Tempul real de încărcare al adaptorului depinde de mulți factori, cum ar fi tipul conectorului de alimentare al dispozitivului care trebuie încărcat și mediul de funcționare.Intervalul de temperatură de funcționare al adaptorului este între 0 °C (32 °F) și 30 °C (86 °F).</div>

Simplified Chinese
<div>提示:</div> <div><ul style="list-style-type: none">隨附的旅行用插頭的用法相同。充電時請勿拔下旅行用插頭。适配器的實際充電時間取決於許多因素，例如要充電的設備的電源接口類型和運行環境。适配器的運行溫度範圍是 0°C (32°F) 至 30°C (86°F) 。</div>

Slovak
<div>Typy:</div> <div><ul style="list-style-type: none">Použitie priložených cestovných zástrčiek je rovnaké.Počas nabíjania neodpojujte cestovnú zástrčku.Skutočná doba nabíjania adaptéra závisí od mnohých faktorov, napríklad od typu napájacieho konektora zariadenia, ktoré sa má nabíjať, a od prevádzkových podmienok.Prevádzková teplota adaptéra je 0 °C až 30 °C.</div>

Spanish
<div>Consejos:</div> <div><ul style="list-style-type: none">El uso de los enchufes de viaje adjuntos es el mismo.No desconecte el enchufe de viaje durante la carga.El tiempo de carga real del adaptador dependerá de muchos factores, como el tipo de conector de alimentación del dispositivo que se cargará y los entornos operativos.El intervalo de temperatura de funcionamiento del adaptador está entre los 0 °C (32 °F) y 30 °C (86 °F).</div>

Swedish
<div>Tipsl</div> <div><ul style="list-style-type: none">Medföljande resekontakter används på samma sätt som originalkontakterna.Koppla inte från resekontakten under pågående laddning.Adaptrens faktiska laddningstid beror på många faktorer, som driftsmiljö och typ av kontakt på enheten som ska laddas.Drifttemperaturen för adaptern är mellan 0 °C och 30 °C.</div>

Traditional Chinese
<div>要訣 :</div> <div><ul style="list-style-type: none">隨附的旅行用插頭用法相同。</div>

- 充電時請勿拔下旅行用插頭。
- 整流器的實際充電時間取決於許多因素，例如要充電之裝置的電源接頭類型和作業環境。
- 整流器的作業環境溫度在 0 °C (32 °F) 和 30 °C (86 °F) 之間。

Turkish
<div>İpuçları:</div> <div><ul style="list-style-type: none">Ürünle birlikte gelen seyahat fişleri aynı şekilde kullanılır.Şarj sırasındaki seyahat fişini çıkarmayın.Bağdaştırıcının gerçek şarj süresi, şarj edilecek cihazın güç bağıkları tipi ve çalışma ortamları gibi birçok faktöre bağlıdır.Bağdaştırıcının çalışma sıcaklığı aralığı 0°C (32°F) ile 30°C (86°F) arasındadır.</div>

Compliance information

The latest compliance information is available at: https://www.lenovo.com/compliance

Electromagnetic emission notices

Federal Communications Commission (FCC) Supplier’s Declaration of Conformity

The following information refers to Lenovo 65W USB-C AC Travel Adapter (model: ADK009).

This equipment has been tested and found to comply with the limits for a Class B digital device, pursuant to Part 15 of the FCC Rules. These limits are designed to provide reasonable protection against harmful interference in a residential installation. This equipment generates, uses, and can radiate radio frequency energy and, if not installed and used in accordance with the instructions, may cause harmful interference to radio communications. However, there is no guarantee that interference will not occur in a particular installation. If this equipment does cause harmful interference to radio or television reception, which can be determined by turning the equipment off and on, the user is encouraged to try to correct the interference by one or more of the following measures:

- Reorient or relocate the receiving antenna.
- Increase the separation between the equipment and receiver.
- Connect the equipment into an outlet on a circuit different from that to which the receiver is connected.
- Consult an authorized dealer or service representative for help.

Lenovo is not responsible for any radio or television interference caused by using other than recommended cables and connectors or by unauthorized changes or modifications to this equipment. Unauthorized changes or modifications could void the user’s authority to operate the equipment.

This device complies with Part 15 of the FCC Rules. Operation is subject to the following two conditions: (1) This device may not cause harmful interference, and (2) this device must accept any interference received, including interference that may cause undesired operation.

Responsible Party:
Lenovo (United States) Incorporated
7001 Development Drive
Morrisville, NC 27560
Email: FCC@lenovo.com



Industry Canada Compliance Statement

CAN ICES-3(B)/NMB-3(B)

Japan notice for ac power cord

This ac power cord shipped with your product can be used only for this specific product. Do not use the ac power cord for other devices.

本製品およびオプションに電源コード・セットが付属する場合は、それぞれ専用のものでございますので他の電気機器には使用しないでください。

Export Classification Notice

This product is subject to the United States Export Administration regulations (EAR) and has an Export Classification Control Number (ECCN) of EAR99. It can be re-exported except to any of the embargoed countries in the EAR EI country list.

EU ErP (EcoDesign) Directive (2009/125/EC) - external power adapters (Regulation (EU) 2019/1782)

For the detailed power adapter specification, go to https://support.lenovo.com.

Arabic
التوجيه (الأوروبية) ErP (EcoDesign) 2019/1782 - محولات الطاقة الخارجية للآلاته https://support.lenovo.com اذهب الى https://support.lenovo.com لتفاصيل مواصفات محول الطاقة.

Bahasa Indonesia
EU ErP (EcoDesign) Directive (2009/125/EC) - adaptor daya eksternal (Peraturan (UE) 2019/1782)

Untuk spesifikasi adaptor daya terperinci, buka https://support.lenovo.com.

Brazilian Portuguese
Diretiva UE ErP (EcoDesign) (2009/125/EC) – Adaptadores de energia externos (Regulamento (EU) 2019/1782)

Para obter a especificação detalhada do adaptador de energia, acesse https://support.lenovo.com.

Bulgarian
Директива на ЕС за ErP (екодизайн) (2009 /125/EC) – външни адаптери за захранване (Регламент (ЕС) 2019/1782)

За подробности спецификации за захранващия адаптер, отидете на https://support.lenovo.com.

Croatian
EU ErP (EcoDesign) Direktiva (2009/125/EZ) - vanjski ispravljač za napajanje (Uredba (EU) 2019/1782)

Pogledajte detaljne specifikacije ispravljača za vaše računalo na https://support.lenovo.com.

Czech
Evropská směrnice ErP (ekodesign) (2009/125/ES) – externí napáječ adaptéry (nařízení EU č. 2019/1782)

Podrobné technické údaje napáječho adaptéru najdete na adrese https://support.lenovo.com.

Danish
EU ErP-direktiv (miljøvenligt design) (2009/125/EU) – eksterne strømadaptere (forordning (EU) 2019/1782)

Gå til https://support.lenovo.com for at få oplysninger om

strømadapterspecifikationer.

Dutch
EU ErP (EcoDesign)-richtlijn (2009/125/EC) - Externe voedingsadapters (Verordening (EU) 2019/1782)

Ga voor gedetailleerde specificaties van de voedingsadapters naar https://support.lenovo.com.

Finnish
EU ErP (EcoDesign) -direktiivi (2009/125/EY) - ulkoiset verkkolaitteet (asetus (EU) 2019/1782)

Liisätietoja verkkolaitteista saat osoitteesta https://support.lenovo.com.

French
Directive UE ErP (EcoDesign) (2009/125/CE) - adaptateurs électriques externes (Réglementation (UE) 2019/1782)

Pour obtenir les spécifications détaillées de l'adaptateur électrique de votre ordinateur, rendez-vous sur : https://support.lenovo.com.

German
ErP/Ökodesign-Richtlinie der EU (2009/125/EG) – externe Netzteile (Verordnung (EU) 2019/1782)

Ausführliche technische Daten zum Netzteil finden Sie unter https://support.lenovo.com.

Greek
Οδηγία περί ErP (EcoDesign) της ΕΕ (2009/125/ΕΚ) - Εξωτερικοί μετασχηματιστές ρεύματος (Κανονισμός (ΕΕ) 2019/1782)

Για τις αναλυτικές προδιαγραφές του μετασχηματιστή ρεύματος, επισκεφθείτε τον δικτυακό τόπο https://support.lenovo.com..

Hungarian
A EU környeztetbarát tervezésre vonatkozó (ErP) (2009/125/EK) irányelve – külső hálózati adapterek (2019/1782/EU) rendelet

A hálózati adapterre vonatkozó részletes specifikációkért lásd: https://support.lenovo.com.

Italian
Direttiva UE ErP (Ecodesign) (2009/125/CE) - Adattatori di alimentazione esterni (regolamento (UE) 2019/1782)

Per informazioni dettagliate sulle specifiche dell'adattatore di alimentazione, visitare https://support.lenovo.com.

Norwegian
EU ErP (EcoDesign)-direktiv (2009/125/EC) – eksterne strømadaptere ((EU-forordning) 2019/1782)

For detaljerte spesifikasjoner for strømadaptere, gå til https://support.lenovo.com.

Polish
Dyrektywa UE ErP (ekologiczna konstrukcja) (2009/125/WE) – zasilacze zewnętrzne (rozporządzenie (UE) 2019/1782)

Szczegółową specyfikację zasilaczy dla komputera znajdziesz pod adresem https://support.lenovo.com.

Portuguese
Diretiva ErP (EcoDesign) da EU (2009/125/CE) - transformadores externos (Regulamento (UE) 2019/1782)

Para consultar as especificações detalhadas do transformador, aceda a https://support.lenovo.com.

Romanian
Directiva UE ErP (proiectare ecologică) (2009/125/EC) – adaptoare externe de alimentare (Reglementările (UE) 2019/1782)

Pentru specificații detaliate ale adaptoarelor de alimentare, accesați https://support.lenovo.com.

Russian
Директива ErP ЕС (экологизация) (2009/125/EC): внешние адаптеры питания (регламент (ЕС) 2019/1782)

Подробные спецификации адаптера питания см. на сайте https://support.lenovo.com.

Serbian-Latin
Direktiva EU ErP (eko dizajn) (2009/125/EC) – spoljni adapteri za napajanje računara (Propis (EU) 2019/1782)

Detaljne specifikacije za adapter za napajanje vašeg računara potražite na stranici https://support.lenovo.com.

Slovak
Smernica Európskej únie o ErP (ekodizajn) (2009/125/ES) – externé napájacie adaptéry (nariadenie (EÚ) 2019/1782)

Podrobné informácie o špecifikáciách adaptéra nájdete na adrese https://support.lenovo.com.

Slovenian
Direktiva EU o okoljsko primernih zasnovi izdelkov (EcoDesign - ErP) (2009/125/ES) - zunanji napajalniki (Uredba (EU) 2019/1782)

Za ogled podrobnejših tehničnih podatkov o napajalniku obiščite https://support.lenovo.com.

Spanish
Directiva EU ErP (EcoDesign) (2009/125/EC): adaptadores de alimentación externos (Regulación (UE) 2019/1782)

Para conocer la especificación detallada del adaptador de alimentación, vaya a https://support.lenovo.com.

Swedish
EU ErP-direktiv (EcoDesign) (2009 /125/EG) - externa nätadapter (förordning (EU) 2019/1782)

Detaljerade specifikationer av nätadaptrr finns på https://support.lenovo.com.

Turkish
AB ErP (EcoDesign) Yönergesi (2009/125/EC) - dış güç bağdaştırıcınlar (Yönetmelik (EU) 2019/1782)

Ayrıntılı güç bağdaştırıcısı teknik özellikleri için https://support.lenovo.com adresine gidin.

Ukrainian
Директива EU ErP (Екодизайн) (2009/125/EC) – зовнішні адаптери живлення (Постанова (ЄС) 2019/1782)

Докладні характеристики адаптера живлення див. на сторінці https://support.lenovo.com.

Trademarks

LENOVO and the LENOVO logo are trademarks of Lenovo. USB-C™ is a trademark of USB Implementers Forum. All other trademarks are the property of their respective owners. © 2020 Lenovo.