

Refrigerator

Built-in Appliance

Simple user manual

- For detailed instructions on installation and cleaning of the appliances, visit the Samsung website (<http://www.samsung.com>), go to Support > Support home, and then enter the model name.
- To check the product's model name, see the label enclosed with the product or attached to the product.
- Open a QR code scanner app and scan the QR code image attached to the product. You can access 'Product registration', 'Manual', and 'Customer support'.
- Figures and illustrations are provided for reference only and may differ from the actual product appearance. Product design and specifications may change without notice.



Scan this with your phone.

Safety information

- Congratulations on your new Samsung appliances. This manual contains important information on the installation, use, and care of your appliances. Read this manual thoroughly before using the appliances to ensure that you know how to safely and efficiently operate the features and functions that your new appliances offers.

Important safety symbols

What the icons and signs in this user manual mean:

WARNING

Hazards or unsafe practices that may result in **severe personal injury, death and/or property damage.**

CAUTION

Hazards or unsafe practices that may result in **personal injury and/or property damage.**

Read the instructions

After reading this manual, store it in a safe place for future reference.
Read all instructions before using the appliance.

NOTE

Supplementary information that may be useful

Safety information

WARNING

Failure to follow the instructions may result in electric shock, injury, fire, breakdown or explosion.

Important safety precautions



WARNING; Risk of fire / flammable materials

1. This appliance is not intended for use by persons (including children) with reduced physical, sensory or mental capabilities, or lack of experience and knowledge, unless they have been given supervision or instruction concerning use of the appliance by a person responsible for their safety.
2. **For use in Europe :** This appliance can be used by children aged from 8 years and above and persons with reduced physical, sensory or mental capabilities or lack of experience and knowledge if they have been given supervision or instruction concerning use of the appliance in a safe way and understand the hazards involved. Children shall not play with the appliance. Cleaning and user maintenance shall not be made by children without supervision. Children aged from 3 to 8 years are allowed to load and unload refrigerating appliances.
3. Children should be supervised to ensure that they do not play with the appliance.
4. If the supply cord is damaged, it must be replaced by the manufacturer, its service agent or similarly qualified persons in order to avoid a hazard.
5. This appliance contains a small amount of combustible refrigerant isobutane (R-600a). For installation, handling, servicing and disposal of the appliance, care should be taken to ensure that no parts of the refrigerating circuit are damaged.
6. R-600a or R-134a is used as a refrigerant. Check the compressor label on the rear of the appliance or the rating label inside the fridge to see which refrigerant is used for your appliance. When this product contains flammable gas (Refrigerant R-600a), contact your local authority in regard to safe disposal of this product.
7. Do not damage the refrigerant circuit.

-
8. To avoid the creation of a flammable gas-air mixture if a leak in the refrigerating circuit occurs, the room size must be 1 m³ in size for every 8 g of R-600a refrigerant inside the appliance. And, unplug the appliance showing any signs of damage and please consult to your dealer if in doubt.
 9. Cyclopentane is used in the insulation. The gases in the insulation material require a special disposal procedure. Please contact your local authorities for environmentally safe disposal.
 10. The socket must be easily accessible so that the appliance can be quickly disconnected from the supply in an emergency.
 11. When positioning the appliance, ensure the supply cord is not trapped or damaged.
 12. Do not locate multiple portable socket-outlets or portable power supplies at the rear of the appliance.
 13. This appliance is intended to be used in household and similar applications such as
 - staff kitchen areas in shops, offices and other working environments;
 - farm houses and by clients in hotels, motels and other residential type environments;
 - bed and breakfast type environments;
 - catering and similar non-retail applications.
 14. Keep ventilation openings, in the appliance enclosure or in the builtin structure, clear of obstruction.
 15. Do not use mechanical devices or any other means to accelerate the defrosting process, other than those recommended by the manufacturer.
 16. Do not use electrical appliances inside the food storage compartments of the appliance, unless they are of the type recommended by the manufacturer.
 17. Do not keep volatile or flammable objects or substances in the refrigerator.
 - This refrigerator is for storing food only.
 - This may result in fire or explosion.
 18. Do not store explosive substances such as aerosol cans with a flammable propellant in this appliance.
 19. For the most efficient use of energy, please keep the all inner fittings such as baskets, drawers, shelves on the position supplied by manufacturer.
 20. Connect to potable water supply only. (applicable models only)

Safety information

21. Fill with potable water only. (applicable models only)
 - Fill the water tank, ice tray and water cubes only with potable water (mineral water or purified water).
 - Do not fill the tank with tea, juice or sports drink, this may damage the refrigerator.
22. New hose-sets supplied with the appliance are to be used and old hose-sets should not be reused.
23. Please connect to the potable water supply only. Water pressure of 206-861 kPa(30-125 psi) is required for the correct operation.
24. If the product is equipped with LED lamps, please contact a local Samsung service centre or it's agents to replace the lamps.
25. To avoid contamination of food, please respect the following instructions:
 - Opening the door for long periods can cause a significant increase of the temperature in the compartments of the appliance.
 - Clean regularly surfaces that can come in contact with food and accessible drainage systems.
 - Clean water tanks if they have not been used for 48 h; flush the water system connected to a water supply if water has not been drawn for 5 days.
 - Store raw meat and fish in suitable containers in the refrigerator, so that it is not in contact with or drip onto other food.
 - Two-star frozen-food compartments are suitable for storing prefrozen food, storing or making icecream and making ice cubes.
 - One-, two- and three-star compartments are not suitable for the freezing of fresh food.
 - If the refrigerating appliance is left empty for long periods, switch off, defrost, clean, dry, and leave the door open to prevent mould developing within the appliance.
26. The temperature of two star section (sections) or compartment (compartments) which have two star symbol (❄️❄️) is slightly higher than other freezer compartment (compartments).
27. To avoid a hazard due to instability of the appliance, it must be fixed in accordance with the instructions.

Installation

- This appliance should only be transported by two or more people holding the appliance securely.
- Install the appliance on a firm and level floor.
- Do not install the appliance in a damp and dusty place. Do not install or store the appliance in any outdoor area, or any area that is subject to weathering conditions such as direct sunlight, wind, rain, or temperatures below freezing.
- Do not place the appliance in direct sunlight or expose it to the heat from heating appliances such as stoves or heaters.
- Be careful not to expose the rear of the appliance when installing.
- Install the appliance in a place where it is easy to unplug the power plug of the appliance.
- Be careful not to let the appliance door fall during assembly or disassembly.
- Be careful not to pinch, crush, or damage the power cable during assembly or disassembly of the appliance door.
- Be careful not to point the power plug up or let the appliance lean against the power plug.
- Do not connect a plug adapter or other accessories to the power plug.
- Do not modify or extend the power cable.
- Ensure that the outlet socket is properly grounded, and that the earth pin on the power cord is not damaged or removed from the power plug. For more details on grounding, inquire at the Samsung Electronics service centre.
- This appliance is equipped with a power cord having an equipment-grounding conductor and a grounding power plug. The power plug must be plugged into an appropriate outlet socket that is installed and grounded in accordance with all local codes and ordinances.
- Never start up an appliance showing any signs of damage. If in doubt, consult your dealer.
- Do not plug the appliance into a multi-socket adapter which does not have a power cable (mounted).
- The appliance should be connected to a dedicated power line which is separately fused.
- Do not use a multi-socket outlet which is not properly grounded (portable). In case of using a properly-grounded multi-socket (portable), use the multi-socket outlet with the current capacity of the power cord rating or higher and use the multi-socket outlet only for the appliance.
- Dispose of all packaging materials (such as plastic bags and styrofoam) away from children. The packaging materials can cause suffocation.

Operation

CAUTION

To reduce the risk of minor injury to persons, malfunction, or damage to the product or property when using this product, follow basic precaution, including the following:

- Be careful of nearby children when you open or close the appliance door. The door may bump the child and cause injury.
- Avoid the danger of children getting trapped inside the appliance. A child trapped inside the appliance can cause suffocation. Do not touch frozen food or the metal parts in the freezer compartment with wet or damp hands. It may cause frostbite.
- Do not place glass containers, bottles or cans (especially those containing carbonated drinks) in the freezer compartment, shelves or ice bin that will be exposed to temperatures below freezing.
- The tempered glass on the front side of the appliance door or the selves can be damaged by an impact. If it is broken. Do not touch it with hands.
- Do not hang from the appliance doors, storage room, shelf or climb up into it.
- Do not store an excessive amount of water bottles or containers for side dishes on the door baskets.
- Do not open or close the appliance door with excessive force.
- If the hinge of the appliance door is damaged or operates improperly, stop using the appliance and contact an authorized service centre.
- Prevent animals from nibbling on the power cable or water hose.
- Never eat frozen foods immediately after they have been taken out in the freezer compartment.
- Make sure not to get a hand or foot stuck upon opening or closing the appliance door or door in door.

Maintenance

- Do not clean glass shelves or covers with warm water when they are cold. They may shatter if exposed to sudden temperature changes.
- Do not insert the shelves upside down. The shelves may fall.
- To remove frost from the appliance, contact the Samsung Electronics service centre.
- Dispose of the ice inside the ice bin in the freezer compartment during an extended power outage.

Safety information

Declaration of conformity

Hereby, Samsung declares that this radio equipment is in compliance with Directive 2014/53/EU and with the relevant statutory requirements in the UK.

The full text of the EU declaration of conformity and the UK declaration of conformity is available at the following internet address: The official Declaration of conformity may be found at <http://www.samsung.com>, go to Support > Search Product Support and enter the model name.

CAUTION (Applicable to Family Hub type only)

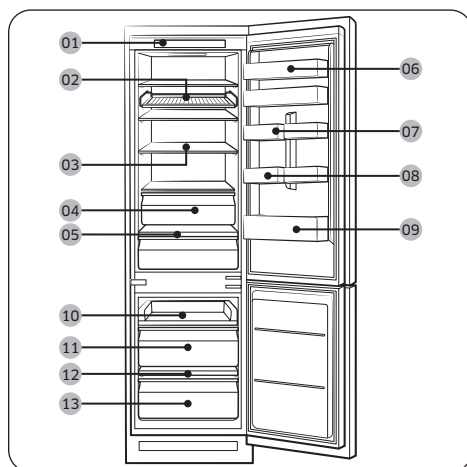
The 5 GHz WLAN function of this equipment may only be operated indoors. This equipment may be operated in all EU countries and in the UK.

	Frequency range	Transmitter power (Max)
Wi-Fi	2412 - 2472 MHz	20 dBm
	5120 - 5250 MHz	23 dBm
	5250 - 5350 MHz	20 dBm
	5470 - 5725 MHz	27 dBm
Bluetooth	2402 - 2480 MHz	20 dBm

Installation

Refrigerator at a glance

The actual refrigerator and provided component parts of your refrigerator may differ from the illustrations in this manual, depending on the model and the country.



- 01 Control panel
 - 02 Shelf wine *
 - 03 Fridge shelf *
 - 04 Fridge drawer *
 - 05 Vegetable shelf *
 - 06 Top door bin *
 - 07 Variety door bin
 - 08 Egg tray *
 - 09 Fridge door bin
 - 10 Slide shelf
 - 11 Freezer middle drawer
 - 12 Freezer shelf *
 - 13 Freezer bottom drawer
- * applicable models only

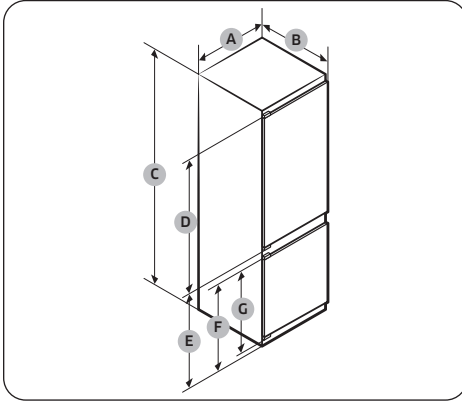
NOTE

- For best energy efficiency, make sure all of shelves, drawers, and baskets are placed in their original position.
- Only for models which have freezer shelf:
 - To quickly freeze large quantities of food, use the freezer after removing the bottom drawer of the freezer.
 - To get more space, you can remove the slide shelf (10) and two freezer drawers (11,13) under it but keep the freezer shelf on the bottom drawer of the freezer. They do not affect thermal and mechanical characteristics. The declared storage volume of the frozen food storage compartment is calculated with the shelf and the freezer drawers removed.

Clearance

See the following figures and tables for installation space requirements.

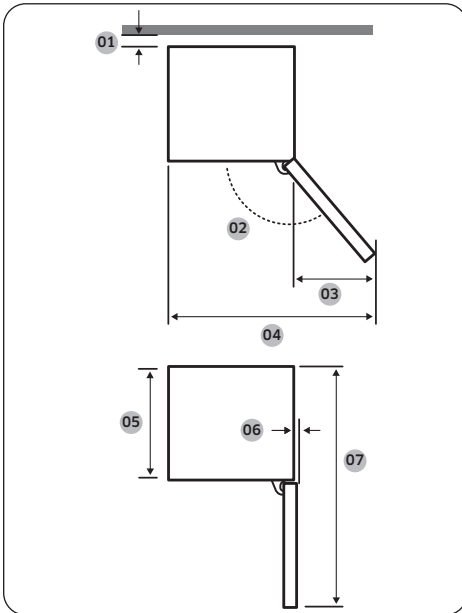
Product dimension



	BRB***26*	BRB***30*
A	540±2	540±2
B	550±2 (with door)	550±2 (with door)
C	1775±2	1935±2
D	987	1147
E	735	735
F	671	671
G	621	621

(unit : mm)

Product Overall Dimension



Model	BRB*****S0 SLIDE TYPE	BRB*****F0 FIXED TYPE
01*	10 (Min.) / 30 (Recommended)	
02	95° (Recommended)	115° (Recommended)
03	218	180
04	758	700
05	510	510
06	1	5
07	1055	1055

*01: From cabinet to rear of product.

(unit : mm)

NOTE

- The specified energy consumption is based on the condition of a 10 mm gap from cabinet to rear of product. The product will work properly even with a gap which is less than 10 mm, however it consumes slightly more energy.
- We recommend using a cabinet that is 18 mm thick with hinges less than 20 mm thick.

NOTE

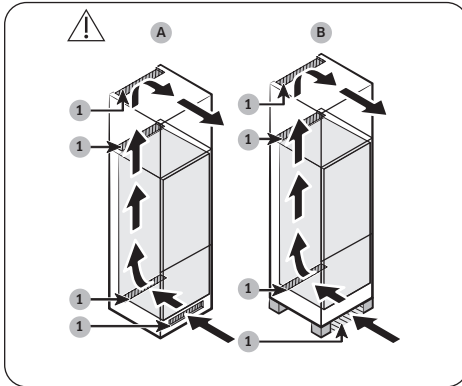
- The measurements in the above table may differ, depending on the measuring method.
- For built-in installation, see the Installation Manual.

Installation

Ventilation system of the cabinet

As shown in the figure, the air entering the refrigerator circulates along the ventilation path (see the arrow direction) of the cabinet. The cabinet must have at least 200 cm² (WxH: 500 mm x 40 mm) of space both for the air inlet and air outlet. Also, the cabinet must have a rear vent of at least 200 cm² (WxH: 500 mm x 40 mm) of space at the rear bottom.

Air inlet

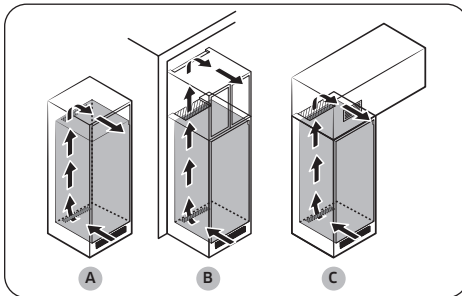


1	200 cm ²
---	---------------------

The air inlet must be positioned in one of the examples below, or a similar position, depending on your cabinet type.

- A. A ventilation hole included in the cabinet.
- B. A cabinet with feet.

Air outlet



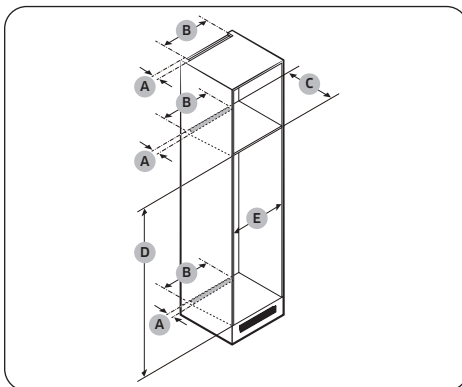
The air outlet must be positioned in one of the examples below, or a similar position, depending on your cabinet type.

- A. Immediately above the refrigerator with an optional vent grille
- B. Close to the cabinet ceiling
- C. Above the refrigerator with a separately built-in vent

⚠ CAUTION

Regardless of the cabinet design, the air ventilation system must not be blocked by any kind of installation.

Cabinet dimension



⚠ CAUTION

If the cabinet has a door, make sure the door is not heavy to prevent it from tipping or falling off.

Cabinet door	Thickness (mm)	Weight (kg)
Fridge side	Min.16	Max.18
Freezer side	Max.19	Max.12

Any product failure due to the following is not covered by the Warranty.

1. Improper site conditions or incorrect cabinet sizes
2. Defective cabinet
3. Mistakes by the installer or the user

Clearance

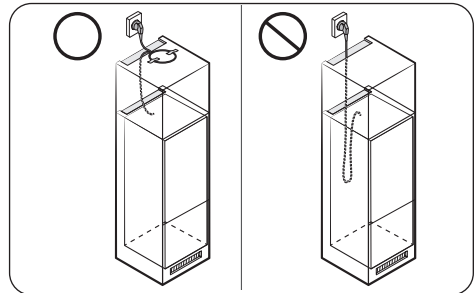
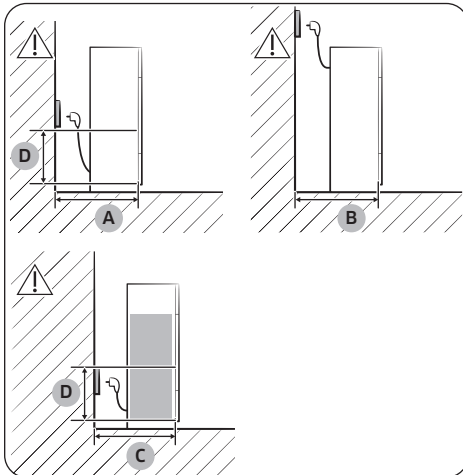
See the pictures and tables below for space requirements for installation.

Model		A (mm)	B (mm)	C (mm)	D (mm)	E (mm)	Remark
BRB***26**S0 SLIDE TYPE	Min.	40	500	560	1778	560	
	Recommend			580	1780	562	
	Max.			-	1782	568	
BRB***26**F0 FIXED TYPE	Min.			560	1778	555	Hinge : 17 mm
	Recommend			580	1780	562	
	Max.			-	1782	568	
BRB***30**S0 SLIDE TYPE	Min.	40	500	560	1938	560	
	Recommend			580	1940	562	
	Max.			-	1942	568	
BRB***30**F0 FIXED TYPE	Min.			560	1938	555	Hinge : 17 mm
	Recommend			580	1940	562	
	Max.			-	1942	568	

NOTE

- If the width of a cabinet is larger than 568 mm, the gasket (between the refrigerator and the cabinet) can become loose.
- If the cabinet is higher than the maximum dimension (1782 mm), you must use other finishing materials to fill the gap.

Consideration for socket outlet location and required space



A	Min. 590
B	Min. 560
C	Min. 580
D	240

(unit : mm)

NOTE

If you install the refrigerator in a cabinet with a 560 mm depth, make sure the power cord is arranged on a side of the refrigerator before plugging into a power socket. If the power cord is in the rear of the refrigerator, it could decrease the energy efficiency.

Maintenance

Cleaning

Interior and exterior

WARNING

- Do not use benzene, thinner, vinegar, liquid bleach, baking soda, citric, salt mixtures or home/car detergent such as Clorox™ for cleaning purposes. They may damage the surface of the refrigerator and cause a fire.
- Do not spray water onto the refrigerator. This may cause electric shock.

Regularly use a dry cloth to remove all foreign substances such as dust or water from the power plug terminals and contact points.

1. Unplug the power cord.
2. Use a moistened, soft, lint-free cloth or paper towel to clean the refrigerator's interior and exterior.
3. When done, use a dry cloth or paper towel to dry well.
4. Plug in the power cord.

LED Lamps

To replace the lamps of the refrigerator, contact a local Samsung service centre.

WARNING

The lamps are not user-serviceable. Do not attempt to replace a lamp yourself. This can cause electric shock.

Lamp (Light Source)

This product contains a light source of energy efficiency class <G>. The lamp(s) and/or control gear(s) are not user-serviceable. To replace the lamp(s) and/or control gear(s) in the product, contact a local Samsung service centre.

For detailed instructions on replacing lamp(s) or control gear(s) in your product, visit the Samsung website (<http://www.samsung.com>), go to Support > Support home, and then enter the model name.

For detailed instructions on dismantling lamp(s) and/or control gear(s), simply follow the replacement instruction reached as described above.

Appendix

Information for model and ordering spare parts

Model information

To access energy labelling information about this product on the European Product Registry for Energy Labelling (EPREL), scan QR-Code on the energy label.

You can find QR-Code on the energy label in your product box.

Part information

- The minimum period during which spare parts, necessary for the repair of the appliance, are available
 - 7 Years thermostats, temperature sensors, printed circuit boards and light sources, door handles, door hinges, trays, baskets (boxes or drawers)
 - 10 Years door gaskets
- The minimum duration of the guarantee of the refrigerating appliance offered by the manufacturer 24 Months.
- Relevant information for ordering spare parts, directly or through other channels provided by the manufacturer, importer or authorized representative
- You can find professional repair information on <http://samsung.com/support>.
- You can find user servicing manual on <http://samsung.com/support>.

Install Instruction

For refrigerating appliances with climate class

- Depending on the climate class, this refrigerating appliance is intended to be used at ambient temperatures range as specified following table.
- The climate class can be found on the rating plate. The product may not operate properly at temperatures outside of the specific range.
- You can find climate class on label inside of your refrigerator

Effective temperature range

The refrigerator is designed to operate normally in the temperature range specified by its class rating.

Class	Symbol	Ambient Temperature range (°C)	
		IEC 62552 (ISO 15502)	ISO 8561
Extended Temperate	SN	+10 to +32	+10 to +32
Temperate	N	+16 to +32	+16 to +32
Subtropical	ST	+16 to +38	+18 to +38
Tropical	T	+16 to +43	+18 to +43

NOTE

The cooling performance and power consumption of the refrigerator may be affected by the ambient temperature, the door-opening frequency, and the location of the refrigerator. We recommend adjusting the temperature settings as appropriate.

Temperature Instruction

Recommended Temperature

The optimal temperature setting for food storage:

- Fridge: 3 °C
- Freezer: -19 °C

NOTE

The optimal temperature setting of each compartment depends on the ambient temperature. Above optimal temperature is based on the ambient temperature of 25 °C.

Power Cool

Power Cool speeds up the cooling process at maximum fan speed. The fridge keeps running at full speed for two and a half hours and then returns to the previous temperature.

Power Freeze

Power Freeze speeds up the freezing process at maximum fan speed. The freezer keeps running at full speed for 50 hours and then returns to the previous temperature. To freeze large amounts of food, activate Power Freeze for at least 20 hours before putting food in the freezer.

NOTE

When you use this function the energy consumption of the refrigerator will increase. Remember to turn it off when you don't need it and return the freezer to your original temperature setting.

Appendix

How to store for best preservation (applicable models only)

Cover foods to retain moisture and prevent them from picking up odors from other foods. A large pot of food like soup or stew should be divided into small portions and put in shallow containers before being refrigerated. A large cut of meat or whole poultry should be divided into smaller pieces or placed in shallow containers before refrigerating.

Placement of Foods

Shelves	Shelves should be adjustable to accommodate a variety of packages.
Specialized compartment (applicable models only)	Sealed crisper drawers provide an optimal storage environment for fruits and vegetables. Vegetables require higher humidity conditions while fruits require lower humidity conditions. Crispers are equipped with controls devices to control the humidity level. (*Depending on model and options) An adjustable temperature meat drawer maximizes the storage time of meats and cheeses.
Stored on the door	Don't store perishable foods in the door. Eggs should be stored in the carton on a shelf. The temperature of the storage bins in the door fluctuate more than the temperature in the cabinet. Keep the door closed as much as possible.
Freezer Compartment	You can store frozen food, make ice cubes and freeze fresh food in the freezer compartment.

NOTE

Freeze fresh, undamaged food only. Keep food which is to be frozen away from food which is already frozen. To prevent food from losing its flavour or drying out, place in airtight containers.

Refrigerator & Freezer Storage Chart

The freshness longevity depends on temperature and exposure to moisture. Since product dates aren't a guide for safe use of a product, consult this chart and follow these tips.

Product		Refrigerator	Freezer
Milk products	Milk	1 week	1 month
	Butter	2 weeks	12 months
	Cream cheese	2 weeks	Not recommended
Meat	Fresh roasts, steaks, chops	3-4 days	2-3 months
	Sausage, Raw from pork, beef, turkey	1-2 days	1-2 months
Poultry / Eggs	Fresh poultry	2 days	6-8 months
	Eggs, Fresh in shell	2-4 weeks	Not recommended
Fish / Seafood	Fresh fish	1-2 days	3-6 months
	Dried or pickled fish	3-4 weeks	-
Fruits	Apples	1 month	-
	Other fresh fruit	3-5 days	9-12 months
Vegetables	Asparagus	2-3 days	-
	Broccoli, Brussels sprouts, green peas, mushrooms	3-5 days	-
	Cabbage, cauliflower, celery, cucumbers, lettuce	1 week	-
	Carrots, beets, radishes	2 weeks	-

Instructions about the WEEE



Correct Disposal of This Product (Waste Electrical & Electronic Equipment) (Applicable in countries with separate collection systems)

This marking on the product, accessories or literature indicates that the product and its electronic accessories (e.g. charger, headset, USB cable) should not be disposed of with other household waste at the end of their working life. To prevent possible harm to the environment or human health from uncontrolled waste disposal, please separate these items from other types of waste and recycle them responsibly to promote the sustainable reuse of material resources.

Household users should contact either the retailer where they purchased this product, or their local government office, for details of where and how they can take these items for environmentally safe recycling.

Business users should contact their supplier and check the terms and conditions of the purchase contract. This product and its electronic accessories should not be mixed with other commercial wastes for disposal.

For information on Samsung's environmental commitments and product regulatory obligations, e.g. REACH, WEEE or Batteries, visit our sustainability page available via www.samsung.com

(For products sold in European countries and in the UK only)

Memo

Réfrigérateur

Appareil encastré

Manuel d'utilisation simplifié

- Pour obtenir les instructions détaillées d'installation et de nettoyage de l'appareil, rendez-vous sur le site Internet de Samsung (<http://www.samsung.com>), allez dans Assistance > page d'accueil Assistance, puis saisissez le nom du modèle.
- Pour vérifier le nom du modèle de l'appareil, reportez-vous à l'étiquette qui accompagne l'appareil ou qui est apposée dessus.
- Ouvrez une application de lecture de code QR et scannez l'image de code QR apposée sur l'appareil. Vous pouvez accéder aux rubriques « Enregistrement du produit », « Manuel » et « Assistance client ».
- Les images et illustrations sont fournies uniquement à titre de référence et elles peuvent montrer une apparence différente de l'apparence réelle de votre appareil. La conception et les spécifications de l'appareil peuvent changer sans préavis.



Scannez ce code avec votre téléphone.

Consignes de sécurité

- Félicitations pour l'acquisition de vos nouveaux appareils Samsung. Le présent manuel contient des informations importantes concernant l'installation, l'utilisation et l'entretien de vos appareils. Lisez attentivement le présent manuel avant d'utiliser les appareils, afin de vous assurer que vous savez comment utiliser de manière sûre et efficace leurs différentes fonctionnalités.

Symboles importants de sécurité

Signification des symboles et icônes du présent manuel d'utilisation :

AVERTISSEMENT

Pratiques inadaptées ou dangereuses susceptibles de causer **des blessures corporelles graves voire mortelles et/ou des dommages matériels.**

ATTENTION

Pratiques inadaptées ou dangereuses susceptibles de causer **des blessures corporelles et/ou des dommages matériels.**

Lisez les instructions

Après avoir lu le présent manuel, conservez-le en lieu sûr afin de pouvoir vous y reporter ultérieurement.

Lisez toutes les instructions avant d'utiliser l'appareil.

REMARQUE

Informations complémentaires pouvant s'avérer utiles.

Consignes de sécurité

AVERTISSEMENT

Tout non-respect des instructions peut engendrer une électrocution, des blessures, un incendie, une panne ou une explosion.

Mesures importantes de sécurité



AVERTISSEMENT : risque d'incendie / matières inflammables

1. Cet appareil n'est pas conçu pour être utilisé par des personnes (y compris des enfants) ayant des capacités physiques, sensorielles ou mentales réduites, ou ayant un manque d'expérience et de connaissances, sauf si celles-ci sont sous surveillance ou ont reçu les instructions d'utilisation appropriées pour l'appareil de la part de la personne responsable de leur sécurité.
2. **Pour une utilisation en Europe :** Cet appareil n'est pas destiné à être utilisé par des enfants de moins de 8 ans ou des personnes ayant des capacités physiques, sensorielles ou mentales réduites, ou un manque d'expérience et de connaissances, à moins qu'elles soient surveillées ou qu'elles aient reçu les instructions nécessaires concernant l'utilisation en toute sécurité de cet appareil et qu'elles comprennent les risques impliqués. Les enfants ne doivent pas jouer avec l'appareil. Le nettoyage et la maintenance de l'appareil ne doivent pas être effectués par des enfants sans surveillance. Les enfants de 3 à 8 ans sont autorisés à charger et décharger les appareils de réfrigération.
3. Les enfants doivent rester sous surveillance pour s'assurer qu'ils ne jouent pas avec l'appareil.
4. Si le cordon d'alimentation est endommagé, il doit être remplacé par le fabricant, son fournisseur de service ou toute autre personne aux qualifications similaires afin d'éviter tout risque.
5. Cet appareil contient une faible quantité de réfrigérant combustible isobutane (R-600a). Pour l'installation, la manipulation, l'entretien et la mise au rebut de l'appareil, veillez à ce qu'aucune pièce du circuit frigorifique ne soit endommagée.

-
6. Le gaz réfrigérant utilisé est le R-600a ou R-134a. Vérifiez le gaz réfrigérant utilisé dans votre appareil sur l'étiquette du compresseur située à l'arrière de l'appareil ou sur l'étiquette signalétique située à l'intérieur du réfrigérateur. Lorsque cet appareil contient du gaz inflammable (gaz réfrigérant R-600a), veuillez contacter les autorités locales pour obtenir des renseignements sur la mise au rebut en toute sécurité de votre appareil.
 7. N'endommagez pas le circuit frigorifique.
 8. Pour éviter la création d'un mélange air-gaz inflammable si une fuite se produit dans le circuit frigorifique, le volume de la pièce doit être de 1 m³ pour chaque 8 g de réfrigérant R600a contenus dans l'appareil. De plus, débranchez l'appareil s'il présente des signes quelconques de dommages, et veuillez contacter votre revendeur en cas de doute.
 9. Du cyclopentane est utilisé comme isolant. Les gaz utilisés pour l'isolation nécessitent une procédure d'élimination spéciale. Pour connaître les normes écologiques en matière de mise au rebut de cet appareil en toute sécurité, veuillez contacter les autorités locales.
 10. La prise de courant doit être facilement accessible de sorte que vous puissiez rapidement débrancher l'appareil de l'alimentation en cas d'urgence.
 11. Lorsque vous positionnez l'appareil, assurez-vous que le cordon d'alimentation n'est ni endommagé, ni coincé.
 12. Ne placez pas plusieurs prises portables ou alimentations électriques portables à l'arrière de l'appareil.
 13. Cet appareil est destiné à être utilisé dans les applications domestiques et similaires telles que :
 - les zones de cuisine pour le personnel de magasins, de bureaux et d'autres environnements de travail ;
 - les fermes et clients d'hôtels, motels et autres environnements de type résidentiel ;
 - les environnements de type « chambres d'hôtes » ;
 - les applications de restauration et similaires sans vente au détail.
 14. N'obstruez pas les orifices de ventilation à l'intérieur de l'appareil ou de la structure encastrée.

Consignes de sécurité

15. N'utilisez pas d'appareil mécanique ni de dispositif susceptible d'accélérer le processus de décongélation, autres que ceux recommandés par le fabricant.
16. N'utilisez pas d'appareils électriques à l'intérieur des compartiments de stockage des aliments de l'appareil, sauf si cela est recommandé par le fabricant.
17. Ne conservez pas d'objets ou de substances volatils ou inflammables dans le réfrigérateur.
 - Le réfrigérateur a été conçu exclusivement pour le rangement de produits alimentaires.
 - Cela pourrait entraîner un incendie ou une explosion.
18. Dans cet appareil, ne stockez pas de substances explosives telles que des aérosols avec un propulseur inflammable.
19. Pour une utilisation optimale de l'énergie, veuillez laisser tous les accessoires internes tels que les paniers, les tiroirs, les clayettes sur leur position indiquée par le fabricant.
20. Raccordez-le à une source d'eau potable uniquement. (modèles applicables uniquement)
21. Remplissez l'appareil d'eau potable uniquement. (modèles applicables uniquement)
 - Remplissez le réservoir d'eau et le bac à glaçons avec de l'eau potable uniquement (eau minérale ou eau purifiée).
 - Ne remplissez pas le réservoir avec du thé, du jus de fruits ou des boissons énergisantes car cela risquerait d'endommager le réfrigérateur.
22. Vous devez utiliser les tuyaux neufs fournis avec l'appareil et ne pas réutiliser les anciens.
23. Veuillez raccorder l'appareil à une source d'eau potable uniquement. Une pression d'eau comprise entre 206 et 861 kPa (30 et 125 psi) est requise pour garantir le bon fonctionnement de l'appareil.
24. Si l'appareil est équipé d'ampoules LED, veuillez contacter un centre de service Samsung local ou ses agents pour faire remplacer les ampoules.

25. Pour éviter de contaminer les aliments, veuillez respecter les instructions suivantes :

- Ouvrir la porte pendant de longues périodes peut entraîner une hausse considérable de la température dans les compartiments de l'appareil.
- Nettoyez régulièrement les surfaces pouvant entrer en contact avec des aliments et les systèmes de vidange accessibles.
- Nettoyez les réservoirs d'eau s'ils n'ont pas été utilisés depuis 48 h ; rincez le système d'eau relié à une source d'alimentation en eau si vous n'avez pas tiré d'eau depuis 5 jours.
- Placez la viande crue et le poisson dans des récipients adaptés à l'intérieur du réfrigérateur afin qu'ils n'entrent pas en contact avec d'autres aliments ou qu'ils ne gouttent pas dessus.
- Les compartiments à deux étoiles pour aliments surgelés sont adaptés pour stocker des aliments pré-congelés, pour ranger ou faire de la glace et pour créer des glaçons.
- Les compartiments à une, deux et trois étoiles ne sont pas adaptés pour congeler des aliments frais.
- Si l'appareil de réfrigération est laissé vide pendant de longues périodes, mettez-le hors tension, faites-le dégivrer, nettoyez-le, laissez-le sécher et maintenez la porte ouverte afin d'éviter que des moisissures ne se développent à l'intérieur de l'appareil.

26. La température du/des parties deux étoiles (**) est légèrement plus froide que celle régnant dans l'autre/les autres compartiments du congélateur.

27. Pour éviter tout danger dû à une instabilité de l'appareil, ce dernier doit être fixé conformément aux instructions.

Consignes de sécurité

Installation

- Cet appareil doit uniquement être transporté par deux ou plusieurs personnes tenant l'appareil en toute sécurité.
- Installez l'appareil sur un sol ferme et plat.
- N'installez pas l'appareil dans un endroit humide et poussiéreux. N'installez pas et ne stockez pas l'appareil à l'extérieur ou dans un endroit exposé aux conditions météorologiques telles que la lumière directe du soleil, le vent, la pluie ou les températures négatives.
- N'installez pas l'appareil à la lumière directe du soleil ou à proximité d'une source de chaleur, telle qu'une cuisinière ou un appareil de chauffage.
- Faites attention à ne pas exposer l'arrière de l'appareil lors de l'installation.
- Installez l'appareil dans un endroit où il est facile de débrancher la fiche d'alimentation de l'appareil.
- Faites attention à ce que la porte de l'appareil ne tombe pas pendant le montage ou le démontage.
- Faites attention à ne pas coincer, écraser ou endommager le câble d'alimentation pendant le montage ou le démontage de la porte de l'appareil.
- Faites attention à ne pas diriger le câble d'alimentation vers le haut ou à laisser l'appareil s'appuyer sur le câble d'alimentation.
- Ne connectez pas d'adaptateur de prise ou d'autres accessoires sur la fiche d'alimentation.
- Ne modifiez pas et ne rallongez pas le câble d'alimentation.
- Assurez-vous que la prise de courant est correctement reliée à la terre et que la broche de terre sur le cordon d'alimentation n'est pas endommagée ou retirée de la fiche d'alimentation. Pour en savoir plus sur la mise à la terre, adressez-vous au centre de service Samsung Electronics.
- Cet appareil est équipé d'un cordon d'alimentation doté d'un conducteur de terre et d'une fiche de terre. La fiche d'alimentation doit être branchée sur une prise de courant appropriée installée et mise à la terre conformément à toutes les réglementations et ordonnances locales.
- Ne démarrez jamais un appareil qui présente des signes d'endommagement. En cas de doutes, contactez votre revendeur.
- Ne branchez pas l'appareil sur un adaptateur multiprise qui n'a pas de câble d'alimentation (monté).
- L'appareil doit être relié à une ligne électrique dédiée ayant un fusible séparé.
- N'utilisez pas de multiprise qui n'est pas correctement mise à la terre (portable). Lorsque vous utilisez une multiprise correctement mise à la terre (portable), utilisez la multiprise avec la capacité de courant du cordon d'alimentation ou une capacité supérieure, et utilisez la multiprise uniquement pour l'appareil.
- Tenez tous les matériaux d'emballage (tels que les sacs en plastique et le polystyrène) hors de portée des enfants. Les matériaux d'emballage peuvent entraîner une asphyxie.

Fonctionnement

ATTENTION

Pour réduire le risque de blessures corporelles mineures, de dysfonctionnement ou de dommages sur l'appareil ou les biens lors de l'utilisation de l'appareil, y compris :

- Faites attention aux enfants qui se trouvent à proximité lorsque vous ouvrez ou fermez la porte de l'appareil. La porte peut heurter un enfant et le blesser.
- Évitez le danger que des enfants ne puissent se retrouver piégés à l'intérieur de l'appareil. Un enfant enfermé à l'intérieur de l'appareil risque de s'asphyxier. Ne touchez pas les aliments congelés ou les parties métalliques dans le compartiment du congélateur avec des mains mouillées ou humides. Cela pourrait provoquer des gelures.
- Ne placez pas de récipients en verre, de bouteilles ou de canettes (en particulier celles contenant des boissons gazeuses) dans le compartiment congélateur, sur les clayettes ou dans la machine à glaçons qui seront exposés à des températures négatives.
- Le verre trempé sur le côté avant de la porte de l'appareil ou sur les clayettes peut être endommagé par un impact. En cas de bris, ne touchez pas le verre avec vos mains.
- Ne vous suspendez pas aux portes de l'appareil, au compartiment de stockage ou aux clayettes et ne grimpez pas dessus.
- Ne stockez pas de quantité excessive de bouteilles d'eau ou de récipients pour accompagnements dans les paniers de la porte.
- N'ouvrez et ne fermez pas la porte de l'appareil avec une force excessive.
- Si la charnière de la porte de l'appareil est endommagée ou ne fonctionne pas correctement, arrêtez d'utiliser l'appareil et contactez un centre de service autorisé.
- Empêchez les animaux de grignoter le câble d'alimentation ou le tuyau d'eau.
- Ne mangez jamais des aliments congelés immédiatement après les avoir sortis du compartiment congélateur.
- Assurez-vous de ne pas coincer une main ou un pied lors de l'ouverture ou la fermeture de la porte de l'appareil.

Entretien

- Ne nettoyez pas les caches ou les clayettes en verre avec de l'eau tiède lorsqu'ils sont froids. Ils risquent de se casser s'ils sont exposés à des variations soudaines de température.
- N'insérez pas les clayettes à l'envers. Les clayettes peuvent tomber.
- Pour retirer du givre de l'appareil, contactez le centre de service Samsung Electronics.
- Jetez les glaçons à l'intérieur de la machine à glaçons du compartiment congélateur pendant une coupure de courant prolongée.

Déclaration de conformité

Par la présente, Samsung déclare que cet équipement radio est conforme à la Directive 2014/53/UE et aux exigences légales pertinentes en vigueur au Royaume-Uni. L'intégralité du texte de la déclaration de conformité de l'UE et de la déclaration de conformité du Royaume-Uni est accessible via l'URL suivante : La déclaration de conformité officielle est accessible à l'adresse <http://www.samsung.com>, en cliquant sur Assistance > Obtenir une assistance produits, puis en saisissant le nom du modèle.

⚠ ATTENTION (applicable uniquement aux modèles Family Hub)

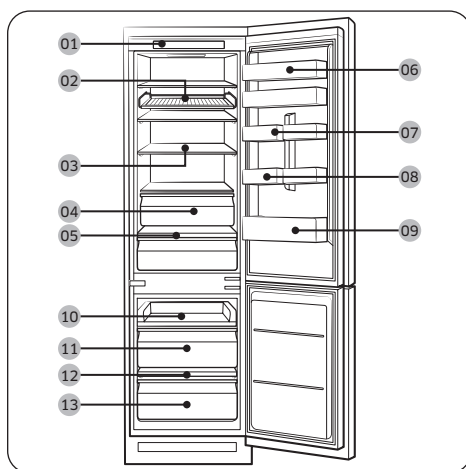
La fonction de réseau local sans fil (WLAN) 5 GHz de cet équipement ne peut être utilisée qu'en intérieur. Cet équipement peut être utilisé dans tous les pays membres de l'UE et au Royaume-Uni.

	Plage de fréquences	Puissance de l'émetteur (maximale)
Connexion Wi-Fi	2412 à 2472 MHz	20 dBm
	5120 à 5250 MHz	23 dBm
	5250 à 5350 MHz	20 dBm
	5470 à 5725 MHz	27 dBm
Connexion Bluetooth	2402 à 2480 MHz	20 dBm

Installation

Présentation rapide du réfrigérateur

L'apparence réelle du réfrigérateur et les composants fournis avec votre réfrigérateur peuvent différer des illustrations présentes dans ce manuel, en fonction du modèle et du pays.



- 01 Panneau de commande
 - 02 Clayette à bouteilles de vin *
 - 03 Clayette du réfrigérateur *
 - 04 Tiroir du réfrigérateur *
 - 05 Clayette à légumes *
 - 06 Barre de retenue supérieure *
 - 07 Barre de retenue Variety
 - 08 Bac à œufs *
 - 09 Barre de retenue du réfrigérateur
 - 10 Clayette coulissante
 - 11 Tiroir central du congélateur
 - 12 Clayette du congélateur *
 - 13 Tiroir inférieur du congélateur
- * modèles applicables uniquement

REMARQUE

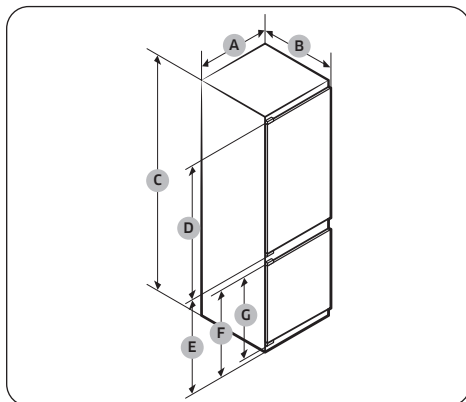
- Pour une efficacité énergétique optimale, veillez à ce que l'ensemble des clayettes, des tiroirs et des paniers soient placés dans leur position d'origine.
- Uniquement pour les modèles équipés de la clayette du congélateur :
 - Pour congeler rapidement de grandes quantités d'aliments, utilisez le congélateur après avoir retiré le tiroir inférieur du congélateur.
 - Pour obtenir plus d'espace, vous pouvez retirer la clayette coulissante (10) et les deux tiroirs du congélateur (11, 13) situés en dessous, mais laissez la clayette du congélateur sur le tiroir inférieur du congélateur. Ils n'affectent pas les caractéristiques thermiques et mécaniques de l'appareil. Le volume de stockage nominal du compartiment d'aliments surgelés est calculé sans la clayette et sans les tiroirs du congélateur.

Installation

Dégagement

Pour connaître les exigences en matière d'espace d'installation, reportez-vous aux illustrations et tableaux suivants.

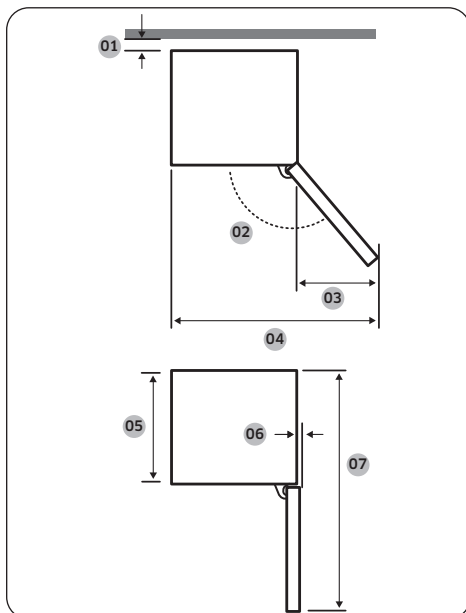
Dimensions de l'appareil



	BRB***26*	BRB***30*
A	540 ± 2	540 ± 2
B	550 ± 2 (avec porte)	550 ± 2 (avec porte)
C	1775 ± 2	1935 ± 2
D	987	1147
E	735	735
F	671	671
G	621	621

(unité : mm)

Dimensions totales de l'appareil



Modèle	BRB*****S0 TYPE COULISSANT	BRB*****F0 TYPE FIXE
01*	10 (minimum) / 30 (recommandation)	
02	95° (recommandation)	115° (recommandation)
03	218	180
04	758	700
05	510	510
06	1	5
07	1055	1055

* 01 : entre le meuble et la partie arrière de l'appareil.

(unité : mm)

REMARQUE

- La consommation électrique spécifiée est valable pour un espace de 10 mm entre le meuble et la partie arrière de l'appareil. Si l'appareil fonctionnera correctement avec un espace inférieur à 10 mm, il consommera en revanche un peu plus d'énergie.
- Nous recommandons l'utilisation d'un meuble de 18 mm d'épaisseur et de charnières dont l'épaisseur est inférieure à 20 mm.

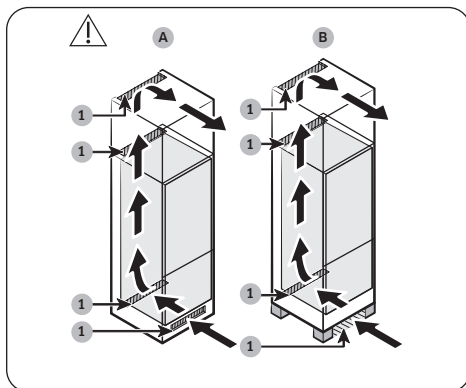
REMARQUE

- Les mesures fournies dans le tableau ci-dessus peuvent varier en fonction de la méthode de mesure.
- Pour une installation encastrée, voir le manuel d'installation.

Système de ventilation du meuble

Comme indiqué sur l'illustration, l'air entrant dans le réfrigérateur circule en suivant le chemin de ventilation (cf. sens des flèches) du meuble. Le meuble doit avoir au moins 200 cm² (L x H = 500 mm x 40 mm) d'espace à la fois pour l'entrée d'air et la sortie d'air. De plus, le meuble doit disposer d'un espace de ventilation arrière d'au moins 200 cm² (L x H = 500 mm x 40 mm) en bas.

Entrée d'air

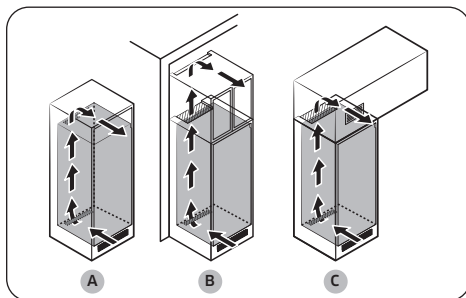


1	200 cm ²
---	---------------------

L'entrée d'air doit être positionnée comme dans l'un des exemples ci-dessous, ou dans une position similaire, selon le type de votre meuble.

- A. Un orifice de ventilation présent dans le meuble.
- B. Un meuble sur pieds.

Sortie d'air



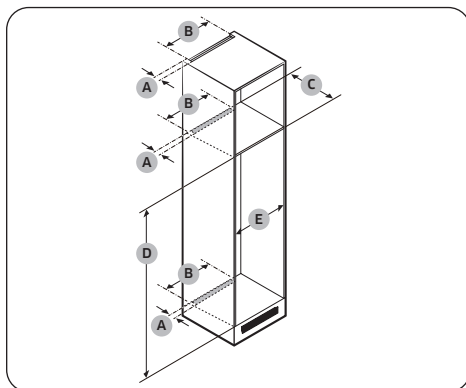
La sortie d'air doit être positionnée comme dans l'un des exemples ci-dessous, ou dans une position similaire, selon le type de votre meuble.

- A. Juste au-dessus du réfrigérateur avec une grille de ventilation en option
- B. Près du haut du meuble
- C. Au-dessus du réfrigérateur avec une ventilation séparément intégrée

⚠ ATTENTION

Quelle que soit la conception du meuble, le système de ventilation ne doit être obstrué par aucune installation.

Dimensions du meuble



⚠ ATTENTION

Si le meuble est équipé d'une porte, assurez-vous que celle-ci n'est pas lourde afin d'éviter tout risque de basculement ou de chute.

Porte du meuble	Épaisseur (mm)	Poids (kg)
Côté réfrigérateur	Min.16	Max.18
Côté congélateur	Max.19	Max.12

Toute défaillance de l'appareil due à l'une des causes suivantes n'est pas couverte par la garantie.

1. Conditions inappropriées du site ou dimensions du meuble incorrectes
2. Meuble défectueux
3. Erreurs commises par l'installateur ou l'utilisateur

Installation

Dégagement

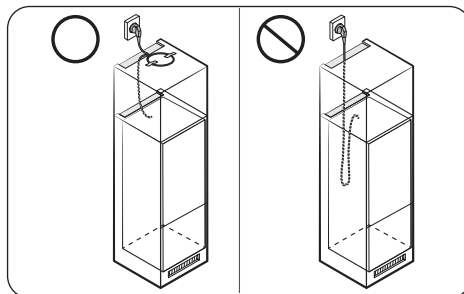
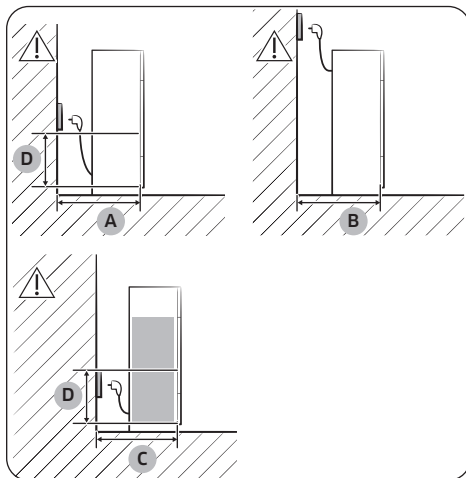
Pour connaître les exigences en matière d'espace d'installation, reportez-vous aux images et tableaux ci-dessous.

Modèle		A (mm)	B (mm)	C (mm)	D (mm)	E (mm)	Remarque
BRB***26**S0 TYPE COULISSANT	Min.	40	500	560	1778	560	
	Recommandation			580	1780	562	
	Max.			-	1782	568	
BRB***26**F0 TYPE FIXE	Min.			560	1778	555	Charnière : 17 mm
	Recommandation			580	1780	562	
	Max.			-	1782	568	
BRB***30**S0 TYPE COULISSANT	Min.	40	500	560	1938	560	
	Recommandation			580	1940	562	
	Max.			-	1942	568	
BRB***30**F0 TYPE FIXE	Min.			560	1938	555	Charnière : 17 mm
	Recommandation			580	1940	562	
	Max.			-	1942	568	

REMARQUE

- Si la largeur d'un meuble est supérieure à 568 mm, le joint d'étanchéité (entre le réfrigérateur et le meuble) risque de se détacher.
- Si le meuble est plus haut que la dimension maximale (1782 mm), vous devez utiliser d'autres matériaux de finition pour remplir l'espace.

Considération pour l'emplacement de la prise électrique et pour l'espace requis



A	Min. 590
B	Min. 560
C	Min. 580
D	240

(unité : mm)

REMARQUE

Si vous installez le réfrigérateur dans un meuble dont la profondeur est de 560 mm, assurez-vous que le cordon d'alimentation est placé sur un côté du réfrigérateur avant de le brancher à une prise de courant. Si le cordon d'alimentation se trouve à l'arrière du réfrigérateur, cela pourrait réduire l'efficacité énergétique.

Entretien

Nettoyage

Intérieur et extérieur

AVERTISSEMENT

- Ne nettoyez pas l'appareil avec du benzène, du diluant, du vinaigre, de l'eau de Javel, du bicarbonate de soude, de l'acide citrique, des mélanges de sel ou du nettoyant domestique/pour voiture comme du Clorox™. Ces produits risquent d'endommager la surface du réfrigérateur et de provoquer un incendie.
- Évitez de vaporiser de l'eau directement sur le réfrigérateur. Risque d'électrocution.

À l'aide d'un chiffon sec, retirez régulièrement tous les corps étrangers, tels que la poussière ou l'eau, au niveau des broches de la fiche d'alimentation et des points de contact.

1. Débranchez le cordon d'alimentation.
2. Utilisez un chiffon doux non pelucheux humidifié ou une serviette en papier pour nettoyer l'intérieur et l'extérieur du réfrigérateur.
3. Ensuite, utilisez un chiffon sec ou une serviette en papier pour bien sécher les surfaces.
4. Branchez le cordon d'alimentation.

Ampoules LED

Pour changer les ampoules du réfrigérateur, contactez votre centre de service Samsung local.

AVERTISSEMENT

Les ampoules ne peuvent pas être remplacées par l'utilisateur. N'essayez pas de remplacer une ampoule par vous-même. Risque d'électrocution.

Ampoule (source de lumière)

Cet appareil contient une source de lumière dont la classe d'efficacité énergétique est <G>.

La ou les ampoule(s) et/ou le ou les mécanisme(s) de commande ne peuvent pas être remplacé(e)s par l'utilisateur. Pour changer la ou les ampoule(s) et/ou le ou les mécanisme(s) de commande de l'appareil, contactez votre centre de service Samsung local.

Pour obtenir les instructions détaillées de remplacement pour la ou les ampoule(s) ou pour le ou les mécanisme(s) de commande de votre appareil, rendez-vous sur le site Internet de Samsung (<http://www.samsung.com>), allez dans Assistance > Assistance sur la page d'accueil, puis saisissez le nom du modèle.

Pour obtenir les instructions détaillées de démontage pour la ou les ampoule(s) et/ou pour le ou les mécanisme(s) de commande, suivez simplement les instructions de remplacement fournies, tel que décrit ci-dessus.

Annexe

Informations du modèle et commande de pièces de rechange

Informations du modèle

Pour accéder aux informations relatives à l'étiquetage énergétique de cet appareil sur le Registre européen des produits pour l'étiquetage énergétique (EPREL), scannez le code QR figurant sur l'étiquette énergétique.

Le code QR se trouve sur l'étiquette énergétique apposée sur l'emballage de votre appareil.

Informations sur les pièces

- Période minimale de disponibilité des pièces de rechange nécessaires à la réparation de l'appareil
 - 7 ans pour les thermostats, capteurs de température, cartes de circuit imprimé et sources d'éclairage, poignées de porte, charnières de porte, bacs, paniers (boîtes ou tiroirs)
 - 10 ans pour les joints de porte
- La période minimale de garantie fournie par le fabricant pour l'appareil de réfrigération est de 24 mois.
- Informations pertinentes pour commander des pièces de rechange, directement ou via d'autres intermédiaires proposés par le fabricant, l'importateur ou le représentant agréé

- Vous trouverez des informations pour une réparation par des professionnels sur le site Internet <http://samsung.com/support>.
- Vous trouverez le manuel de réparation pour l'utilisateur sur le site Internet <http://samsung.com/support>.

Consignes d'installation

Pour les appareils de réfrigération avec classe climatique

- Selon la classe climatique, cet appareil de réfrigération est destiné à être utilisé dans une plage de températures ambiantes telle que spécifiée dans le tableau suivant.
- La classe climatique figure sur la plaque signalétique. L'appareil peut ne pas fonctionner correctement s'il est utilisé à des températures situées en dehors de la plage spécifiée.
- La classe climatique figure sur l'étiquette apposée à l'intérieur de votre réfrigérateur.

Annexe

Plage de températures efficace

Le réfrigérateur a été conçu pour un fonctionnement normal dans la plage de températures spécifiée par sa classe énergétique nominale.

Classe	Symbole	Plage de températures ambiantes (°C)	
		CEI 62552 (ISO 15502)	ISO 8561
Climat tempéré étendu	SN	+10 à +32	+10 à +32
Climat tempéré	N	+16 à +32	+16 à +32
Climat subtropical	ST	+16 à +38	+18 à +38
Climat tropical	T	+16 à +43	+18 à +43

REMARQUE

Les performances de refroidissement et la consommation électrique du réfrigérateur peuvent être affectées par la température ambiante, la fréquence d'ouverture de la porte et l'emplacement du réfrigérateur. Nous vous recommandons de régler la température comme approprié.

Consignes relatives à la température

Température recommandée

Réglage de température optimal pour le stockage d'aliments :

- Réfrigérateur : 3 °C
- Congélateur : -19 °C

REMARQUE

La température optimale de chaque compartiment dépend de la température ambiante. La température optimale ci-dessus a été déterminée pour une température ambiante de 25 °C.

Refroidissement rapide

La fonction Refroidissement rapide accélère le processus de refroidissement avec le ventilateur à vitesse maximale. Le réfrigérateur continue de fonctionner à vitesse maximale pendant deux heures et demie, avant de revenir à la température précédente.

Congélation rapide

La fonction Congélation rapide accélère le processus de congélation avec le ventilateur à vitesse maximale. Le congélateur fonctionne à vitesse maximale durant 50 heures avant de revenir à la température précédente. Pour congeler une grande quantité d'aliments, activez la fonction Congélation rapide au moins 20 heures avant de placer des aliments dans le congélateur.

REMARQUE

Lorsque vous utilisez cette fonction, la consommation d'énergie du réfrigérateur augmente. N'oubliez pas de la désactiver lorsque vous n'en avez plus besoin et de régler à nouveau la température d'origine.

Conseils de stockage pour une préservation optimale (modèles applicables uniquement)

Recouvrez les aliments afin de conserver leur humidité et éviter qu'ils ne récupèrent les odeurs des autres aliments. Pour une grande casserole contenant des aliments tels que de la soupe ou un ragoût, veuillez répartir son contenu en plusieurs portions plus petites que vous mettrez dans des récipients peu profonds avant de les mettre au réfrigérateur. Pour un gros morceau de viande ou un poulet entier, veuillez le couper en morceaux de plus petite taille ou le placer dans des récipients peu profonds avant de le mettre au réfrigérateur.

Positionnement des aliments

Clayettes	Les clayettes sont réglables afin de pouvoir les adapter aux divers emballages.
Compartiment spécialisé (modèles applicables uniquement)	Les tiroirs à légumes étanches offrent un environnement de stockage optimal pour les fruits et légumes. Les légumes requièrent un taux d'humidité élevé tandis que les fruits ont besoin d'un faible taux d'humidité. Les tiroirs à légumes sont équipés de dispositifs de contrôle permettant de réguler le taux d'humidité. (*Selon le modèle et les options disponibles) Un tiroir à viande à température réglable optimise le temps de stockage des viandes et fromages.
Stockage dans la porte	Ne stockez pas les denrées périssables dans la porte. Les œufs doivent être stockés dans leur emballage en carton sur une clayette. La température des bacs de stockage de la porte fluctue davantage que celle dans le compartiment. Maintenez la porte fermée le plus possible.
Compartiment du congélateur	Vous pouvez stocker des aliments surgelés, faire des glaçons et congeler des aliments frais dans le compartiment du congélateur.

REMARQUE

Congelez uniquement des aliments frais et non abîmés. Conservez les aliments devant être congelés loin des aliments déjà congelés. Pour prévenir la perte de saveur ou le séchage des aliments, placez-les dans des récipients hermétiques.

Tableau des périodes de stockage au réfrigérateur et au congélateur

La durabilité de la fraîcheur des aliments dépend de la température et de l'exposition à l'humidité. Étant donné que les dates des produits n'indiquent pas comment utiliser les produits en toute sécurité, reportez-vous à ce tableau et suivez les conseils qui y figurent.

Produit		Réfrigérateur	Congélateur
Produits laitiers	Lait	1 semaine	1 mois
	Beurre	2 semaines	12 mois
	Fromage à la crème	2 semaines	Non recommandé
Viande	Rôtis frais, steaks frais, côtelettes fraîches	3 à 4 jours	2 à 3 mois
	Saucisses, viande crue de porc, bœuf, dinde	1 à 2 jours	1 à 2 mois
Volaille / Œufs	Viande de volaille fraîche	2 jours	6 à 8 mois
	Œufs, frais dans leur coquille	2 à 4 semaines	Non recommandé
Poisson / Fruits de la mer	Poisson frais	1 à 2 jours	3 à 6 mois
	Poisson séché ou mariné	3 à 4 semaines	-
Fruits	Pommes	1 mois	-
	Autres fruits frais	3 à 5 jours	9 à 12 mois
Légumes	Asperges	2 à 3 jours	-
	Brocoli, chou de Bruxelles, petits pois, champignons	3 à 5 jours	-
	Chou, chou-fleur, céleri, concombre, laitue	1 semaine	-
	Carottes, betteraves, radis	2 semaines	-

Annexe

Instructions concernant la réglementation DEEE



Les bons gestes de mise au rebut de cet appareil (déchets d'équipements électriques et électroniques)
(Applicables aux pays disposant de systèmes de collecte séparés)

Ce symbole sur l'appareil, ses accessoires ou sa documentation indique que ni l'appareil, ni ses accessoires électroniques usagés (chargeur, casque audio, câble USB, etc.) ne peuvent être jetés avec les autres déchets ménagers. La mise au rebut incontrôlée des déchets présentant des risques environnementaux et de santé publique, veuillez séparer vos appareils et accessoires usagés des autres déchets. Vous favoriserez ainsi le recyclage de la matière qui les compose dans le cadre d'un développement durable.

Les particuliers sont invités à contacter le magasin leur ayant vendu l'appareil ou à se renseigner auprès des autorités locales pour connaître les procédures et les points de collecte de ces éléments en vue de leur recyclage dans le respect de l'environnement.

Les entreprises sont invitées à contacter leur fournisseur et à consulter les conditions générales de leur contrat de vente. Cet appareil et ses accessoires électroniques ne doivent pas être jetés avec les autres déchets commerciaux en vue de leur mise au rebut.

Pour plus d'informations sur les engagements de Samsung en matière d'environnement et les obligations légales relatives à l'appareil (par exemple, la directive REACH ou celles portant sur les DEEE et les batteries), consultez notre page relative au développement durable accessible via www.samsung.com.

(Uniquement pour les appareils commercialisés dans les pays européens et au Royaume-Uni)



FR

Cet appareil se recycle

REPRISE
À LA LIVRAISON



À DÉPOSER
EN MAGASIN



À DÉPOSER
EN DÉCHÈTERIE



OU

OU

Points de collecte sur www.quefairedemesdechets.fr
Privilégiez la réparation ou le don de votre appareil !

FR

ÉLÉMENTS
D'EMBALLAGE
+ LIVRET
+ FEUILLE



Séparez les éléments avant de trier

Frigorifero

Apparecchio da incasso

Manuale semplice dell'utente

- Per maggiori informazioni sulla installazione e la pulizia dell'apparecchio, visitare il sito web Samsung (<http://www.samsung.com>), accedere a Supporto > Home supporto, e digitare il nome del modello.
- Per verificare il nome del modello del prodotto, fare riferimento all'etichetta inserita o fissata al prodotto.
- Aprire una applicazione di lettura di QR per scansionare il codice QR allegato al prodotto. Accedere a 'Registrazione prodotto', 'Manuale' quindi 'Assistenza clienti'.
- Le immagini ed illustrazioni vengono fornite solo a titolo di riferimento e possono variare dall'effettivo aspetto del prodotto. La forma del prodotto e le sue specifiche possono variare senza preavviso.



Eseguire la scansione con il proprio smartphone.

Informazioni di sicurezza

- Congratulazione per l'acquisto del tuo nuovo apparecchio Samsung. Questo manuale contiene informazioni importanti riguardanti l'installazione, l'uso e la cura dei propri apparecchi. Leggere questo manuale completamente prima di usare gli apparecchi per assicurarsi di avere compreso appieno l'uso in sicurezza delle caratteristiche e funzioni che gli apparecchi offrono.

Importanti simboli di sicurezza

Significato delle icone e dei simboli in questo manuale:



AVVERTENZA

Pericoli o pratiche non sicure che possono causare **lesioni personali gravi e/o danni alla proprietà**.



ATTENZIONE

Pericoli o pratiche non sicure che possono causare **lesioni personali e/o danni alla proprietà**.



Leggere le istruzioni

Una volta letto, si raccomanda di conservare questo manuale in un luogo sicuro per future consultazioni. Leggere tutte le istruzioni prima di usare l'apparecchio.



NOTA

Informazioni aggiuntive che possono rivelarsi utili.

Informazioni di sicurezza

AVVERTENZA

La mancata osservanza di queste istruzioni può comportare il rischio di una scarica elettrica, una lesione, incendio, una rottura o una esplosione

Importanti istruzioni di sicurezza



ATTENZIONE: Rischio di incendio / materiali infiammabili

1. L'apparecchio non è inteso per l'uso da parte di persone (bambini inclusi) con ridotte capacità fisiche, sensoriali o mentali, inesperte o prive di una adeguata conoscenza, a meno che una persona responsabile per la loro sicurezza fornisca loro una corretta supervisione e istruzione all'uso.
2. **Per l'uso in Europa:** Questo apparecchio può essere utilizzato da bambini di età superiore agli 8 anni e da persone con ridotte capacità fisiche, sensoriali o mentali o senza esperienza o conoscenza del prodotto solo sotto la supervisione di una persona responsabile o nel caso in cui abbiano ricevuto informazioni specifiche sull'uso sicuro dell'apparecchio e ne abbiano compreso i rischi ad esso associati. Non consentire ai bambini di giocare con l'apparecchio. La pulizia e la manutenzione dell'apparecchio non devono essere eseguite da bambini senza la supervisione di un adulto. L'inserimento e l'estrazione del cibo nel frigorifero è consentito ai bambini tra i 3 e gli 8 anni.
3. Controllare che i bambini non giochino con l'apparecchio.
4. Se il cavo di alimentazione è danneggiato, richiederne la sostituzione al produttore, a un tecnico dell'assistenza o un tecnico specializzato al fine di evitare potenziali pericoli
5. Questo apparecchio contiene una piccola quantità di refrigerante combustibile isobutano (R-600a). Per l'installazione, la gestione, l'assistenza e lo smaltimento di questo apparecchio, prestare attenzione a non danneggiare alcuna parte del circuito refrigerante.
6. Come refrigerante vengono utilizzati i gas R-600a o R-134a. Controllare l'etichetta del compressore sul retro dell'apparecchio e l'etichetta della potenza nominale all'interno del frigorifero per individuare il tipo di refrigerante utilizzato. Qualora questo prodotto contenga gas infiammabili (Refrigerante R-600a), contattare gli enti locali preposti per apprendere il corretto smaltimento del prodotto.

-
7. Non danneggiare il circuito refrigerante.
 8. Per evitare la creazione di una miscela aria-gas infiammabile in caso di una perdita nel circuito refrigerante, la dimensione della stanza deve essere 1m^3 per ogni 8g di refrigerante R-600a all'interno dell'apparecchio. Scollegare l'apparecchio qualora vi siano segni di danni e consultare l'assistenza tecnica.
 9. L'isolante utilizzato è il ciclopentano. I gas contenuti nel materiale isolante richiedono speciali procedure di smaltimento. Per le disposizioni sullo smaltimento sostenibile contattare le autorità locali competenti.
 10. La presa deve essere sempre facilmente accessibile in modo da poter rapidamente scollegare l'apparecchio dalla corrente elettrica in caso di una emergenza.
 11. Nel posizionare l'apparecchio, assicurarsi che il cavo di alimentazione non sia impigliato o danneggiato.
 12. Non posizionare multiprese o alimentatori portatili sul retro dell'apparecchio.
 13. Questo apparecchio è progettato per un uso domestico o applicazioni simili quali
 - angoli cottura per il personale di punti vendita, uffici e altri ambienti lavorativi;
 - fattorie/aziende agricole e per l'uso dei clienti in hotel, motel e altri ambiti residenziali;
 - ambienti di tipo bed and breakfast;
 - catering e applicazioni simili non-retail.
 14. Mantenere libere le aperture predisposte nella struttura di montaggio o nel mobile a incasso per la ventilazione dell'apparecchio.
 15. Per accelerare il processo di sbrinamento, non utilizzare dispositivi meccanici o altri mezzi diversi da quelli consigliati dal costruttore.
 16. Non usare apparecchi elettrici all'interno dei compartimenti di conservazione del cibo, a meno che non siano consigliati dal costruttore.
 17. Non mantenere oggetti o sostanze volatili o infiammabili nel frigorifero.
 - Il frigorifero è idoneo solo alla conservazione di alimenti.
 - La mancata osservanza di questa precauzione può causare un incendio o una esplosione.
 18. Non conservare sostanze potenzialmente esplosive, come bombolette spray contenenti gas infiammabili, all'interno di questo apparecchio.
 19. Per i migliori risultati in termini di efficienza energetica, tenere tutti gli accessori interni quali cestelli, cassette e ripiani nella posizione indicata dal costruttore.
 20. Collegare solo alla tubazione dell'acqua potabile. (solo modelli relativi)

Informazioni di sicurezza

21. Riempire solo con acqua potabile. (solo modelli relativi)
 - Riempire il serbatoio dell'acqua, il vassoio del ghiaccio ed i cubetti di ghiaccio solo con acqua potabile (acqua minerale o purificata).
 - Non riempire il serbatoio con tè, succhi di frutta o bevande energetiche, in caso contrario il frigorifero potrebbe subire danni.
22. Utilizzare il nuovo set di tubi fornito in dotazione eliminando il precedente set senza riutilizzarlo.
23. Collegare solo la linea dell'acqua potabile. Per un corretto funzionamento è necessaria una pressione di 206-861 kPa (30-125 psi).
24. Se il prodotto è dotato di lampadine LED, contattare un Centro di assistenza autorizzata Samsung per effettuare la sostituzione.
25. Al fine di evitare una contaminazione dei cibi, rispettare le seguenti istruzioni:
 - L'apertura per lunghi periodi di tempo della porta può provocare un significativo innalzamento della temperatura interna.
 - Pulire regolarmente la superficie interna che entra a contatto con i cibi ed i sistemi di scolo accessibili.
 - Pulire i serbatoi dell'acqua qualora non vengano utilizzati per 48 ore; azionare i sistemi di erogazione dell'acqua collegati alle tubazioni di mandata qualora non vengano utilizzati per 5 giorni.
 - Conservare la carne ed il pesce in idonei contenitori all'interno del frigorifero, così che non possano colare liquidi o possano entrare in contatto con altri cibi.
 - Gli scomparti a due stelle per il congelamento dei cibi sono idonei alla conservazione di cibi pre-congelati, la conservazione o produzione di gelati e la formazione di cubetti di ghiaccio.
 - Gli scomparti a una, due o tre stelle non sono idonei per il congelamento di cibi freschi.
 - Se il frigorifero viene lasciato vuoto per lunghi periodi di tempo, spegnerlo, scongelarlo, pulirlo ed asciugarlo lasciando la porta aperta al fine di prevenire la formazione di muffa al suo interno.
26. La temperatura di comparti o sezioni a due stelle, contrassegnati dal simbolo (❄️❄️), è lievemente superiore rispetto a quella di altri comparti freezer.
27. Per evitare pericoli a causa della instabilità dell'apparecchio, deve essere riparato seguendo le istruzioni fornite.



Installazione

- Questo apparecchio deve essere trasportato da due o più persone che lo afferrino saldamente.
- Installare l'apparecchio su una superficie piana e stabile.
- Non installare l'apparecchio in un luogo umido o polveroso. Non installare o conservare l'apparecchio in esterno, o qualsiasi area soggetta alle condizioni atmosferiche come la luce solare diretta, vento, pioggia o temperature al di sotto dello zero.
- Non collocare l'apparecchio in una posizione esposta alla luce solare diretta o al calore di stufe, radiatori o altri apparecchi di riscaldamento.
- Prestare attenzione a non esporre il retro dell'apparecchio durante l'installazione.
- Installare l'apparecchio in un luogo dove sia facile scollegare la spina del cavo di alimentazione.
- Prestare attenzione a non lasciare cadere l'apparecchio durante il montaggio o lo smontaggio.
- Prestare attenzione a non schiacciare o danneggiare il cavo di alimentazione durante il montaggio o smontaggio della porta dell'apparecchio.
- Prestare attenzione a non urtare la spina di alimentazione o lasciare che l'apparecchio si appoggi alla spina.
- Non collegare un adattatore o altri accessori alla presa di corrente.
- Non modificare o prolungare il cavo di alimentazione.
- Assicurarsi che la presa di corrente sia adeguatamente messa a terra, e che il polo di messa a terra sul cavo di alimentazione non sia danneggiato o rimosso dalla spina. Per maggiori particolari sulla messa a terra, rivolgersi ad un Centro di assistenza autorizzato Samsung Electronics.
- Questo apparecchio è dotato di un cavo di alimentazione con un conduttore di messa a terra e una spina di alimentazione con messa a terra. La spina di alimentazione deve essere inserita in una presa di corrente adeguata, installata e messa a terra in conformità con tutte le normative ed ordinanze locali.
- Non attivare mai un apparecchio che mostri chiari segni di danni. In caso di dubbi, consultare il rivenditore.
- Non collegare l'apparecchio ad una multi presa non dotata di cavo di alimentazione (montato).
- L'apparecchio deve essere collegato ad una presa elettrica dedicata dotata di un fusibile a parte.
- Non usare una multipresa non dotata di una adeguata messa a terra (portatile). In caso di uso di una multipresa (portatile) dotata di una adeguata messa a terra, usarne una con un cavo di corrente con capacità uguale o superiore a quella del cavo di collegarvi solo l'apparecchio.
- Smaltire tutti i materiali da imballaggio (come sacchetti di plastica e polistirolo) mantenendoli lontani dalla portata dei bambini. I materiali da imballaggio possono provocare soffocamenti.

Funzionamento

ATTENZIONE

Al fine di ridurre il rischio di lesioni minori a persone, malfunzionamenti o danni al prodotto o alla proprietà durante l'uso del prodotto, seguire le precauzioni di base comprese le seguenti:

- Prestare attenzione alla eventuale presenza di bambini nelle vicinanze durante l'apertura o la chiusura della porta dell'apparecchio. La porta potrebbe urtare il bambino e ferirlo.
- Evitare il pericolo di intrappolare un bambino all'interno dell'apparecchio. Un bambino intrappolato all'interno dell'apparecchio potrebbe soffocare. Non toccare cibo congelato o parti metalliche contenute nel comparto freezer con le mani bagnate o umide. Ciò potrebbe causare il congelamento delle dita.
- Non posizionare contenitori in vetro, bottiglie o lattine (specialmente quelle contenenti bibite gassate) nel comparto freezer, ripiani o contenitore di raccolta del ghiaccio che possano essere esposti a temperature al di sotto dello zero.
- Il vetro temperato sul frontale della porta dell'apparecchio o i ripiani possono danneggiarsi se urtati. Se rotti. Non toccare con le mani.
- Non appendersi alle porte dell'apparecchio, la parte di conservazione, i ripiani o salirvi sopra.
- Non conservare una quantità eccessiva di bottiglie di acqua o contenitori per contorni nei balconcini della porta.
- Non aprire o chiudere la porta dell'apparecchio usando una forza eccessiva.
- Qualora la cerniera della porta risulti danneggiata o funzioni male, interrompere l'uso dell'apparecchio e contattare un Centro di assistenza autorizzato.
- Impedire agli animali domestici di rosicchiare il cavo di alimentazione o il tubo dell'acqua.
- Non mangiare mai cibi non appena estratti dal comparto freezer.
- Accertarsi di non schiacciarsi le mani o i piedi durante l'apertura o la chiusura della porta o delle porte.

Manutenzione

- Non pulire i ripiani di vetro o coperchi con acqua calda quando sono freddi. Essi possono rompersi se esposti ad improvvisi sbalzi di temperatura.
- Non inserire i ripiani alla rovescia. I ripiani potrebbero cadere.
- Per rimuovere eventuale brina dall'apparecchio, contattare un Centro di assistenza autorizzato Samsung Electronics.
- Smaltire il ghiaccio contenuto nel contenitore di raccolta del ghiaccio del comparto freezer durante un blackout.



Informazioni di sicurezza

Dichiarazione di conformità

Samsung dichiara che questo apparecchio radio è conforme alla Direttiva 2014/53/UE e con le relative disposizioni di legge nel Regno Unito.

Il testo completo della Dichiarazione di conformità UE e la Dichiarazione di conformità del Regno Unito sono disponibili all'indirizzo internet: La Dichiarazione di conformità ufficiale è reperibile all'indirizzo <http://www.samsung.com>, accedendo alla pagina Support > Search Product Support e digitando il nome del modello.

⚠ ATTENZIONE (applicabile solo al tipo Family Hub)

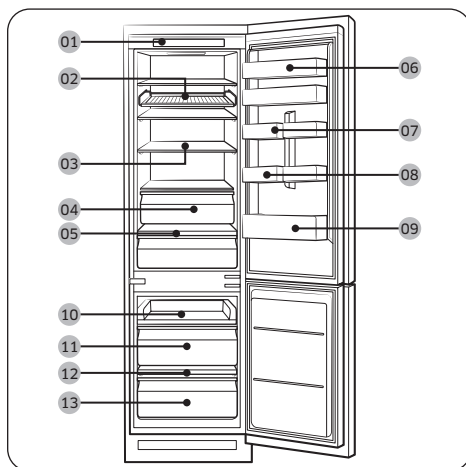
La funzione 5 GHz WLAN di questo apparecchio può essere utilizzata solo in interno. Questo apparecchio può essere utilizzato in tutti i paesi della UE e nel Regno Unito.

	Gamma frequenze	Potenza trasmettitore (Max)
Wi-Fi	2412 - 2472 MHz	20 dBm
	5120 - 5250 MHz	23 dBm
	5250 - 5350 MHz	20 dBm
	5470 - 5725 MHz	27 dBm
Bluetooth	2402 - 2480 MHz	20 dBm

Installazione

Il frigorifero in breve

Le immagini effettive del frigorifero e dei componenti forniti del frigorifero possono variare dalle immagini riportate in questo manuale, in base al modello ed al paese di acquisto.



- 01 Pannello di controllo
 - 02 Griglia per i vini *
 - 03 Ripiano frigo *
 - 04 Cassetto frigo *
 - 05 Ripiano verdure *
 - 06 Balconcino *
 - 07 Balconcino multiuso
 - 08 Portauova *
 - 09 Balconcino frigorifero
 - 10 Ripiano scorrevole
 - 11 Cassetto centrale freezer
 - 12 Ripiano del freezer*
 - 13 Cassetto inferiore freezer
- * solo modelli relativi

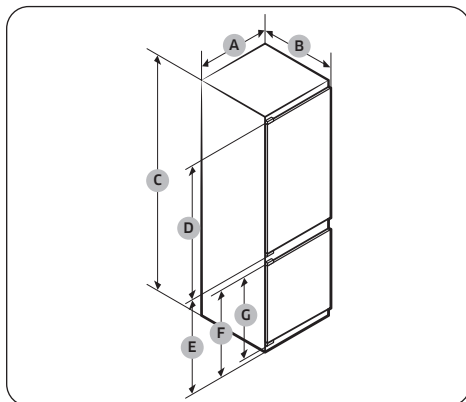
📖 NOTA

- Per una maggiore efficienza energetica, assicurarsi che tutti i ripiani, i cassetti ed i cestelli siano nella loro posizione originale.
- Solo per modelli dotati di ripiano del freezer:
 - Per congelare rapidamente grandi quantità di cibo, usare il freezer rimuovendo il cassetto inferiore.
 - Per avere a disposizione maggiore spazio, è possibile rimuovere il ripiano scorrevole (10) ed i due cassetti del freezer al di sotto (11, 13) ma mantenere il ripiano sul cassetto inferiore. Ciò non influenza le caratteristiche termiche e meccaniche del frigorifero. Il volume dichiarato del comparto dei cibi surgelati è calcolato senza il ripiano ed il cassetto del freezer.

Spazio

Per i requisiti di spazio per l'installazione vedere le figure e le tabelle sotto.

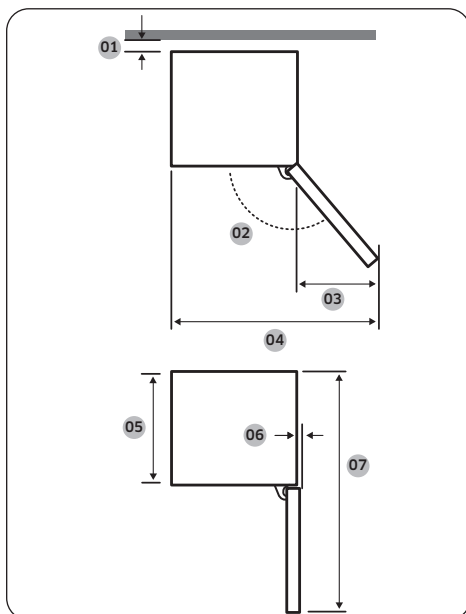
Dimensioni del prodotto



	BRB***26*	BRB***30*
A	540±2	540±2
B	550±2 (con la porta)	550±2 (con la porta)
C	1775±2	1935±2
D	987	1147
E	735	735
F	671	671
G	621	621

(unità : mm)

Dimensioni complessive del prodotto



Modello	BRB*****S0 TIPO SCORREVOLE	BRB*****F0 TIPO FISSO
01*	10 (Min.) / 30 (Consigliato)	
02	95° (Consigliato)	115° (Consigliato)
03	218	180
04	758	700
05	510	510
06	1	5
07	1055	1055

*01: Dal fondo del vano al retro del prodotto.

(unità : mm)

NOTA

- Il consumo energetico specificato si basa su uno spazio di 10 mm dal vano al retro del prodotto. Il prodotto funzionerà correttamente anche in presenza di uno spazio inferiore a 10 mm, tuttavia il suo consumo energetico sarà leggermente superiore.
- Si consiglia di usare un armadio che abbia uno spessore di 18 mm con cerniere con uno spessore inferiore a 20 mm.

NOTA

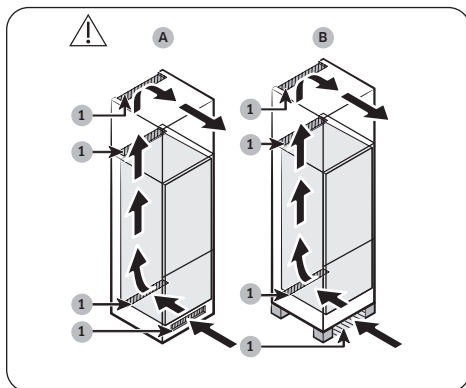
- Le misure riportate nella tabella sopra possono differire in base al metodo di misurazione utilizzato.
- Per una installazione ad incasso, vedere il Manuale di installazione.

Installazione

Sistema di ventilazione dell'armadio

Come mostrato in figura, l'aria in ingresso al frigorifero circola lungo le aperture di ventilazione (vedere la direzione della freccia) dell'armadio. L'armadio deve essere almeno 200 cm² (LxA: 500 mm x 40 mm) di spazio per l'ingresso dell'aria e lo stesso spazio per l'uscita. Inoltre, l'armadio deve prevedere una ventilazione posteriore di almeno 200 cm² (LxA: 500 mm x 40 mm) di spazio sul fondo della parte posteriore.

Ingresso dell'aria

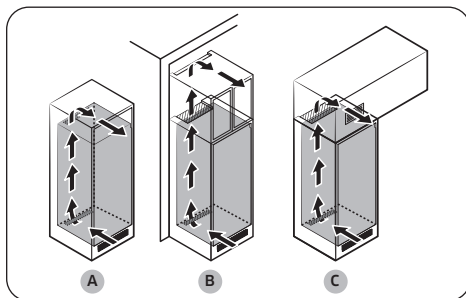


1	200 cm ²
---	---------------------

L'ingresso dell'aria deve essere situato come in uno degli esempi sotto o in una posizione analoga, in base al tipo di armadio.

- A. Un foro di ventilazione previsto nell'armadio.
- B. Un armadio con piedini.

Uscita dell'aria



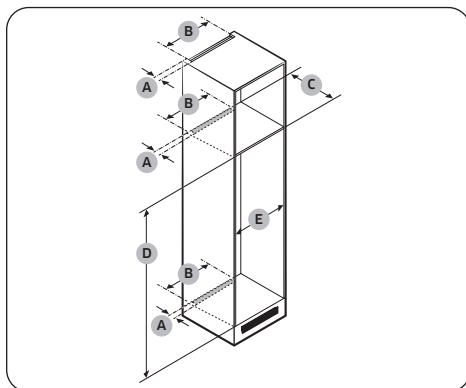
L'uscita dell'aria deve essere situata come in uno degli esempi sotto o in una posizione analoga, in base al tipo di armadio.

- A. Immediatamente sopra il frigorifero con una griglia di ventilazione opzionale
- B. Vicino al cielo dell'armadio
- C. Sopra il frigorifero con una ventilazione separata

⚠ ATTENZIONE

Indipendentemente dalla forma dell'armadio, l'installazione deve lasciare libero il sistema di ventilazione.

Dimensioni armadio



⚠ ATTENZIONE

Se l'armadio è dotato di porta, assicurarsi che la porta non sia pesante in modo da prevenire eventuali ribaltamenti in avanti.

Porta armadio	Spessore (mm)	Peso (kg)
Lato frigo	Min.16	Max.18
Lato freezer	Max.19	Max.12

Eventuali interventi dovuti a malfunzionamenti del prodotto causati da una mancata osservanza delle indicazioni seguenti non saranno coperti dalla garanzia.

1. Condizioni inadeguate del luogo di installazione o dimensioni inadeguate dell'armadio di contenimento
2. Armadio difettoso
3. Errori dovuti all'installatore o all'utente

Spazio

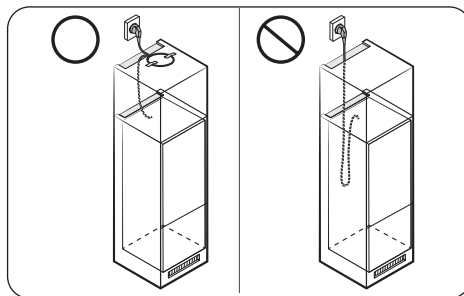
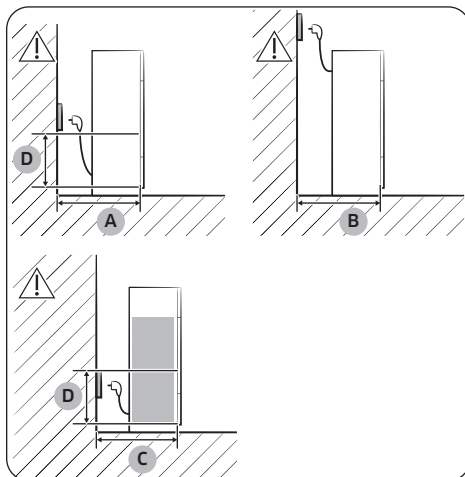
Per i requisiti di spazio per l'installazione vedere le figure e le tabelle sotto.

Modello		A (mm)	B (mm)	C (mm)	D (mm)	E (mm)	Nota		
BRB***26***SO TIPO SCORREVOLE	Min.	40	500	560	1778	560			
	Consigliato			580	1780	562			
	Max.			-	1782	568			
BRB***26***FO TIPO FISSO	Min.			560	1778	555	Cerniera : 17 mm		
	Consigliato			580	1780	562			
	Max.			-	1782	568			
BRB***30***SO TIPO SCORREVOLE	Min.			40	500	560	1938	560	
	Consigliato					580	1940	562	
	Max.					-	1942	568	
BRB***30***FO TIPO FISSO	Min.	560	1938			555	Cerniera : 17 mm		
	Consigliato	580	1940			562			
	Max.	-	1942			568			

NOTA

- Se la larghezza dell'armadio è maggiore di 568 mm, la guarnizione (tra il frigorifero e l'armadio) potrebbe diventare lenta.
- Qualora l'armadio abbia dimensioni superiori a quelle massime (1782 mm), sarà necessario utilizzare altri materiali di finitura per riempire lo spazio rimanente.

Considerazione per la posizione della presa e spazio necessario



A	Min. 590
B	Min. 560
C	Min. 580
D	240

(unità : mm)

NOTA

Qualora si installi un frigorifero all'interno di un vano con una profondità di 560 mm, assicurarsi che il cavo di alimentazione sia disposto sul lato del frigorifero prima di inserire la spina in una presa di corrente. Se il cavo di alimentazione è posto sul retro del frigorifero, ciò potrebbe ridurre l'efficienza energetica.

Manutenzione

Pulizia

Interno ed esterno

AVVERTENZA

- Per pulire non utilizzare benzene, aceto, candeggina liquida, bicarbonato, miscela di sali o detergenti per casa/auto quali Clorox™. L'uso di questi prodotti potrebbe danneggiare la superficie dell'apparecchio e causare un incendio.
- Non spruzzare acqua sul frigorifero. In caso contrario, esiste il pericolo di scariche elettriche.

Usare regolarmente un panno morbido per rimuovere eventuale polvere o sporizia dai terminali della spina elettrica e dai contatti.

1. Scollegare la spina di alimentazione.
2. Usare un panno inumidito e liscio o un tovagliolo di carta per pulire l'interno e l'esterno del frigorifero.
3. Al termine, usare un panno o della carta per asciugarlo con cura.
4. Ricollegare la spina di alimentazione.

Lampadine a LED

Per effettuare la sostituzione delle lampadine, rivolgersi al Centro assistenza autorizzato Samsung di zona.

AVVERTENZA

Le lampadine non possono essere sostituite autonomamente. Non tentare di sostituire autonomamente la lampadina. In caso contrario, esiste il pericolo di scariche elettriche.

Lampadina (sorgente luminosa)

Questo prodotto contiene una sorgente luminosa con una classe di efficienza energetica <G>.

La lampadina ed i comandi non possono essere sostituibile dall'utente in autonomia. Per effettuare la sostituzione delle lampadine o dei comandi, rivolgersi al Centro assistenza autorizzato Samsung di zona.

Per maggiori informazioni sulla sostituzione di lampadine o comandi del vostro prodotto, visitare il sito web Samsung (<http://www.samsung.com>), accedere a Supporto > Supporto, e digitare il nome del modello.

Per maggiori informazioni sullo smontaggio delle lampadine o dei comandi seguire le istruzioni come descritto sopra.

Appendice

Informazioni sul modello e l'ordinazione di parti di ricambio

Informazioni sul modello

Per accedere alle informazioni energetiche di questo prodotto nel European Product Registry for Energy Labelling (EPREL), scansionare il codice QR dell'etichetta energetica.

Il codice QR è reperibile sull'etichetta energetica contenuta nella confezione del prodotto.

Informazione sulla parte di ricambio

- Il periodo minimo nel quale i ricambi necessari continueranno ad essere disponibili
 - 7 anni termostati, sensori di temperatura, circuiti stampati e luci, maniglie di porte, cerniere, vassoi, guarnizioni (scatole o cassette)
 - 10 anni guarnizioni delle porte
- La durata minima della garanzia dei dispositivi di refrigerazione offerta dal costruttore è di 24 mesi.
- Informazioni importanti per l'ordinazione dei ricambi, direttamente o tramite altri canali sono fornite dal costruttore, importatore o rappresentanti autorizzati
- È possibile ottenere informazioni sulle riparazioni professionali alla pagina <http://samsung.com/support>.

- È possibile trovare il manuale di assistenza dell'utente alla pagina <http://samsung.com/support>.

Istruzioni di installazione

Per gli apparecchi di refrigerazione con classi climatiche

- In base alla sua classe climatica, questo apparecchio di refrigerazione è progettato per essere utilizzato a temperature ambiente come indicato nella tabella che segue.
- La classe climatica può essere individuata sull'etichetta dei valori nominali. Il prodotto potrebbe non operare correttamente a temperature al di fuori dell'intervallo di valori indicato.
- La classe climatica può essere individuata sull'etichetta dei valori nominali all'interno del prodotto.

Temperatura di funzionamento effettivo

Il frigorifero è stato progettato per funzionare normalmente all'interno dell'intervallo di temperature indicato per la sua classe energetica.

Classe	Simbolo	Intervallo temperatura ambiente (°C)	
		IEC 62552 (ISO 15502)	ISO 8561
Temperata estesa	SN	da +10 a +32	da +10 a +32
Temperata	N	da +16 a +32	da +16 a +32
Subtropicale	ST	da +16 a +38	da +18 a +38
Tropicale	T	da +16 a +43	da +18 a +43

NOTA

Le prestazioni di raffreddamento ed il consumo energetico del frigorifero potrebbero essere influenzati dalla temperatura ambientale, la frequenza di apertura della porta e la posizione del frigorifero. Regolare la temperatura in base alle proprie necessità.

Istruzioni sulla temperatura

Temperatura consigliata

La temperatura ottimale consigliata per la conservazione dei cibi:

- Frigorifero: 3 °C
- Freezer: -19 °C

NOTA

L'impostazione ottimale della temperatura di ogni scomparto dipende dalla temperatura ambientale. La temperatura ottimale sopra si basa sulla temperatura ambientale di 25 °C.

Raffreddamento rapido

Raffreddamento rapido accelera il processo di raffreddamento con la massima velocità di ventilazione. Il frigorifero continua a funzionare al massimo per due ore e mezza per poi tornare alla temperatura precedente.

Congelamento rapido

La funzione Congelamento rapido accelera il processo di congelamento con la massima velocità di ventilazione. Il freezer continua a funzionare al massimo per 50 ore quindi torna alla temperatura precedente. Per congelare grandi quantità di cibo, attivare la funzione Congelamento rapido per almeno 20 ore prima di inserire il cibo nel freezer.

NOTA

L'uso di questa funzione comporta un aumento del consumo energetico del frigorifero. Disattivarla qualora non sia necessaria, riportando il freezer alla temperatura originaria.

Appendice

Come avere una conservazione ottimale (solo alcuni modelli)

Coprire i cibi al fine di conservarne l'umidità e impedire che assumano altri odori. Una grande porzione di cibo come una minestra o uno stufato deve essere suddiviso in porzioni più piccole e conservato in recipienti poco profondi prima di essere inserito nel freezer. Un taglio di carne di grosse dimensioni o un pollo intero deve essere suddiviso in più parti prima di essere conservato in frigorifero.

Disposizione dei cibi

Ripiani	I ripiani devono essere regolati in base alle dimensioni delle confezioni dei cibi da conservare.
Comparti dedicati (solo modelli relativi)	I cassetti dotati di chiusura sono ideali per conservare frutta e verdura. Le verdure richiedono una maggiore presenza di umidità mentre la frutta ne richiede di meno. Tali cassetti sono dotati di dispositivi di controllo per il mantenimento dei livelli di umidità (*in base al modello ed alle opzioni). Un cassetto per la carne con la temperatura regolabile ottimizza il tempo di conservazione di carni e formaggi.
Conservati nella porta	Non conservare cibi deperibili nella porta. Le uova devono essere conservate in un cartone su un ripiano. La temperatura dei balconcini nella porta può variare più della temperatura all'interno. Mantenere la porta chiusa il più possibile.
Comparto freezer	Nel comparto freezer è possibile conservare i cibi congelati, formare cubetti di ghiaccio e congelare cibi freschi.

NOTA

Congelare solo cibi freschi e non guasti. Conservare il cibo da congelare lontano dai cibi già congelati. Al fine di impedire che i cibi perdano il sapore o si disidratino, conservarli in contenitore a tenuta d'aria.

Diagramma Frigorifero & Freezer

La durata della freschezza dei cibi dipende dalla temperatura e dall'umidità. Dal momento che le date di scadenza dei prodotti non sono un riferimento sicuro per una consumazione sicura dei cibi, consultare questo diagramma e seguire questi suggerimenti.

Prodotto		Frigorifero	Freezer
Prodotti del latte	Latte	1 settimana	1 mese
	Burro	2 settimane	12 Mesi
	Formaggio cremoso	2 settimane	Non consigliato
Carne	Arrosti freschi, bistecche, spiedini	3-4 Giorni	2-3 Mesi
	Salsiccia, maiale crudo, manzo, tacchino	1-2 Giorni	1-2 Mesi
Pollame / Uova	Pollame fresco	2 giorni	6-8 Mesi
	Uova, fresche in guscio	2-4 settimane	Non consigliato
Pesce / Frutti di mare	Pesce fresco	1-2 Giorni	3-6 Mesi
	Pesce essiccato o in salamoia	3-4 settimane	-
Frutta	Mele	1 mese	-
	Altra frutta fresca	3-5 Giorni	9-12 Mesi
Verdure	Asparagi	2-3 Giorni	-
	Broccoli, cavoletti di Bruxelles, piselli, funghi	3-5 Giorni	-
	Cavolo, cavolfiore, cetrioli, lattuga	1 settimana	-
	Carote, barbabietole, ravanelli	2 settimane	-

Istruzioni su WEEE



Corretto smaltimento del prodotto (rifiuti elettrici ed elettronici)
(Applicabile nei Paesi con sistemi di raccolta differenziata)

Il simbolo riportato sul prodotto, sugli accessori o sulla documentazione (un contenitore della spazzatura con ruote barrato da una croce con una banda nera sotto) indica che il prodotto e i relativi accessori elettronici (quali caricabatterie, cuffia e cavo USB) non devono essere smaltiti come rifiuti urbani misti al termine del ciclo di vita ma devono essere raccolti separatamente in modo da permetterne il riutilizzo, il riciclaggio e altre forme di recupero in conformità alla normativa vigente. I rifiuti derivanti da apparecchiature elettriche ed elettroniche possono, infatti, contenere sostanze dannose e pericolose che, se non correttamente gestite, costituiscono un pericolo per l'ambiente e la salute umana.

L'utente ha, quindi, un ruolo attivo nel ciclo di recupero e riciclaggio dei rifiuti di apparecchiature elettriche ed elettroniche.

Al fine di evitare eventuali danni all'ambiente o alla salute causati da uno smaltimento non corretto, si invita pertanto l'utente a separare il prodotto e i suddetti accessori da altri tipi di rifiuti, conferendoli ai sistemi di ritiro e di raccolta autorizzati secondo le normative locali.

Gli utenti domestici possono consegnare gratuitamente l'apparecchiatura che desiderano smaltire al rivenditore, al momento dell'acquisto di una nuova apparecchiatura di tipo equivalente. Presso i rivenditori di prodotti elettronici con superficie di vendita di almeno 400 m² è inoltre possibile consegnare gratuitamente, senza obbligo di acquisto, i prodotti elettronici da smaltire con dimensioni inferiori a 25 cm.

Gli utenti professionali (imprese e professionisti) sono invitati a contattare il proprio fornitore e verificare i termini e le condizioni del contratto di acquisto. Questo prodotto e i relativi accessori elettronici non devono essere smaltiti unitamente ad altri rifiuti commerciali.

Per ulteriori informazioni sull'impegno ambientale di Samsung e sugli obblighi normativi specifici dei singoli prodotti es. REACH, WEEE, Batteries, visitare la pagina relativa alla sostenibilità nel sito www.samsung.com (solo per prodotti venduti nei paesi dell'Unione Europea e nel Regno Unito).

NOTA

Verifica le informazioni su come smaltire correttamente questo imballaggio accedendo alla pagina dedicata tramite il seguente link (<https://www.samsung.com/it/sustainability/environment/environment-data/>) attraverso il tuo browser.

Promemoria

Frigorífico

Electrodoméstico empotrado

Manual de usuario simple

- Para obtener instrucciones detalladas sobre la instalación y la limpieza de los electrodomésticos, visite el sitio web de Samsung (<http://www.samsung.com>), vaya a Support > Support Home y a continuación introduzca el nombre del modelo.
- Para comprobar el nombre del modelo del producto, consulte la etiqueta que acompaña al producto o colocada en el producto.
- Abra una aplicación de lectura de códigos QR y escanee la imagen del código QR colocada en el producto. Puede acceder a «Registro del producto», «Manual» y «Atención al cliente».
- Las figuras y las ilustraciones se facilitan solo a modo de referencia y pueden diferir del aspecto real del producto. El diseño y las especificaciones del producto pueden cambiar sin previo aviso.



Escanee esto con su teléfono.

Información de seguridad

- Enhorabuena por sus nuevos electrodomésticos Samsung. Este manual contiene información importante sobre la instalación, el uso y el cuidado de sus electrodomésticos. Lea este manual detenidamente antes de usar los electrodomésticos para asegurarse de que sabe cómo manejar las características y las funciones que ofrecen sus nuevos electrodomésticos de manera segura y eficiente.

Símbolos de seguridad importantes

Significado de los iconos y los símbolos de este manual de usuario:

ADVERTENCIA

Prácticas peligrosas o inseguras que pueden provocar **lesiones físicas graves, la muerte o daños a la propiedad.**

PRECAUCIÓN

Prácticas peligrosas o inseguras que pueden provocar **lesiones físicas o daños a la propiedad.**

Lea las instrucciones

Después de leer este manual, guárdelo en un lugar seguro para consultas futuras.

Lea todas las instrucciones antes de utilizar el electrodoméstico.

NOTA

Información complementaria que puede resultar útil

Información de seguridad

ADVERTENCIA

El incumplimiento de las instrucciones podría provocar descargas eléctricas, lesiones, incendios, averías o explosiones.

Precauciones de seguridad importantes



ADVERTENCIA: Riesgo de incendio/materiales inflamables

1. Este electrodoméstico no está diseñado para que lo usen personas (incluidos los niños) con discapacidad física, mental y sensorial, o faltas de conocimiento y experiencia, sin la supervisión o las indicaciones de una persona responsable que garanticen un uso seguro del aparato.
2. **Para su uso en Europa:** Este electrodoméstico lo pueden utilizar niños a partir de los 8 años y personas con discapacidad física, mental o sensorial, siempre y cuando tengan una supervisión o instrucciones sobre el uso de estos electrodomésticos de una forma segura y siendo consecuentes de los posibles peligros que este pueda ocasionar. Los niños no deben jugar con el electrodoméstico. Los niños no deben efectuar tareas de limpieza ni de mantenimiento sin vigilancia. Los niños con edades comprendidas entre los 3 y los 8 años pueden cargar y descargar aparatos de refrigeración.
3. No deje que los niños jueguen con el electrodoméstico.
4. Si el cable de alimentación está dañado, lo debe reemplazar el fabricante, su técnico de servicio o personal con una cualificación análoga para evitar riesgos de accidentes.
5. Este electrodoméstico contiene una pequeña cantidad de refrigerante isobutano combustible (R-600a). Cuando instale, el maneje, realice mantenimiento y elimine el electrodoméstico, tenga cuidado de no dañar ninguna pieza del circuito de refrigeración.

6. Se utilizan los refrigerantes R-600a o R-134a. Compruebe la etiqueta del compresor situada en la parte posterior del electrodoméstico o la etiqueta de especificaciones del interior del frigorífico para ver cuál es el refrigerante utilizado. Cuando este producto contenga gases inflamables (refrigerante R-600a), póngase en contacto con las autoridades locales para eliminar este electrodoméstico de forma segura.
7. No dañe el circuito de refrigeración.
8. Para evitar que se mezclen el gas inflamable y el aire en caso de una fuga en el circuito de refrigeración, el tamaño de la habitación debe ser de 1 m³ por cada 8 g de refrigerante R-600a dentro del electrodoméstico. Desenchufe el electrodoméstico si presenta indicios de daños y consulte a su distribuidor en caso de duda.
9. Se usa ciclopentano en el aislante. Los gases de los materiales aislantes requieren un procedimiento especial de eliminación. Póngase en contacto con sus autoridades locales para deshacerse de este aparato de forma segura para el medioambiente.
10. La toma de corriente debe ser fácilmente accesible para que se pueda desenchufar el aparato rápidamente en caso de emergencia.
11. Cuando instale el electrodoméstico, asegúrese de que el cable de alimentación no está atrapado ni dañado.
12. No coloque regletas de enchufes portátiles o unidades de alimentación móviles en la parte posterior del electrodoméstico.
13. Este aparato está diseñado para utilizarse en entornos domésticos o similares como
 - cocinas para el personal de tiendas, oficinas u otros lugares de trabajo
 - albergues rurales y habitaciones de hoteles, moteles y otros entornos residenciales
 - pensiones y casas de huéspedes
 - catering y aplicaciones no minoristas similares.
14. Mantenga libres de obstrucciones las aberturas de ventilación de la caja o de la estructura empotrable.
15. No utilice dispositivos mecánicos ni otros métodos para acelerar el proceso de descongelación que no sean los recomendados por el fabricante.

Información de seguridad

16. No utilice dispositivos eléctricos dentro de los compartimentos de almacenamiento de alimentos del electrodoméstico, a menos que sean de un tipo recomendado por el fabricante.
17. No almacene sustancias volátiles o ni objetos inflamables en el frigorífico.
 - En este frigorífico solo se deben guardar alimentos.
 - Se puede producir un incendio o una explosión.
18. No almacene en este aparato sustancias explosivas como envases de aerosoles con propulsores inflamables.
19. Para un uso más eficiente de la energía, mantenga todos los accesorios internos, como cestas, cajones o estantes, en la posición en la que los entrega el fabricante.
20. Se debe conectar únicamente a un suministro de agua potable. (solo modelos aplicables)
21. Llénelo solo con agua potable. (solo modelos aplicables)
 - Llene el depósito de agua, la bandeja de hielo y las cubiteras solo con agua potable (agua mineral o depurada).
 - No llene el depósito con té, zumos ni bebidas isotónicas; podría dañar el frigorífico.
22. No reutilice los tubos viejos, utilice los tubos nuevos suministrados con el aparato.
23. Conéctelo únicamente al suministro de agua potable. Se requiere una presión del agua de entre 206 y 861 kPa (30 y 125 psi) para un correcto funcionamiento.
24. Si el producto está equipado con lámparas led, póngase en contacto con un centro de servicio de Samsung local o sus agentes para sustituir las lámparas.
25. Para evitar la contaminación de alimentos, cumpla las siguientes instrucciones:
 - Abrir la puerta durante períodos prolongados puede generar un aumento significativo de la temperatura en los compartimentos del electrodoméstico.
 - Limpie regularmente las superficies que pueden entrar en contacto con alimentos y los sistemas de drenaje accesibles.
 - Limpie los depósitos de agua si no se han utilizado durante 48 horas; enjuague el sistema de agua conectado a un suministro de agua si no se ha extraído agua durante 5 días.

-
- Almacene la carne y el pescado crudos en recipientes apropiados en el frigorífico, de forma que no estén en contacto con otros alimentos ni goteen sobre otros alimentos.
 - Los compartimentos de alimentos congelados de dos estrellas son apropiados para almacenar alimentos precongelados, almacenar o fabricar helado y fabricar cubitos de hielo.
 - Los compartimentos de una, dos y tres estrellas no son apropiados para congelar alimentos frescos.
 - Si el aparato de refrigeración se deja vacío durante períodos prolongados, apáguelo, descongélelo, límpielo, séquelo y deje la puerta abierta para evitar la formación de moho dentro del electrodoméstico.

26. La temperatura en las secciones o compartimentos con el símbolo de dos estrellas (❄❄) es ligeramente más alta que en los otros compartimentos del congelador.

27. Para evitar riesgos por inestabilidad del electrodoméstico, se debe fijar de conformidad con las instrucciones.

Información de seguridad

Instalación

- Este electrodoméstico solo debe ser transportado por dos o más personas que sujeten el aparato de forma segura.
- Instale el electrodoméstico en un suelo firme y nivelado.
- No instale el electrodoméstico en un lugar húmedo ni polvoriento. No instale ni almacene el electrodoméstico en ningún área al aire libre o en ningún área que esté sujeta a las condiciones climáticas, como la luz solar directa, el viento, la lluvia o las temperaturas por debajo del punto de congelación.
- No exponga el electrodoméstico a la luz directa del sol ni a fuentes de calor, como por ejemplo estufas o calentadores.
- Tenga cuidado de no exponer la parte posterior del electrodoméstico durante la instalación.
- Instale el electrodoméstico en un lugar donde sea fácil desenchufarlo.
- Tenga cuidado de no dejar que la puerta del electrodoméstico se caiga durante el montaje o desmontaje.
- Tenga cuidado de no pellizcar, aplastar ni dañar el cable de alimentación durante el montaje o desmontaje de la puerta del electrodoméstico.
- Tenga cuidado de no apuntar el enchufe de alimentación o dejar que el electrodoméstico se apoye contra el enchufe de alimentación.
- No conecte un adaptador de enchufe u otros accesorios al enchufe de alimentación.
- No modifique ni extienda el cable de alimentación.
- Asegúrese de que la zapata de la toma de corriente esté correctamente conectada a tierra y de que el pasador de tierra del cable de alimentación no esté dañado ni retirado del enchufe de alimentación. Para obtener más detalles sobre la conexión a tierra, consulte en un centro de servicio técnico de Samsung Electronics.
- Este electrodoméstico está equipado con un cable de alimentación que tiene un conductor de puesta a tierra del equipo y un enchufe de alimentación de puesta a tierra. El enchufe de alimentación debe enchufarse a una toma de corriente adecuada que esté instalada y conectada a tierra de acuerdo con todos los códigos y las ordenanzas locales.
- Nunca ponga en marcha un electrodoméstico que presente indicios de daños. En caso de duda, póngase en contacto con el distribuidor.
- No conecte el electrodoméstico a un adaptador de enchufe múltiple que no tenga un cable de alimentación (montado).
- El electrodoméstico debe conectarse a una línea eléctrica dedicada que esté fusionada de forma separada.
- No utilice una toma de corriente múltiple que no esté correctamente conectada a tierra (portátil). En caso de utilizar una toma de corriente múltiple debidamente conectada (portátil), utilice la toma de corriente múltiple con la capacidad de corriente del cable de alimentación o superior, y utilice la toma de corriente múltiple solo para el electrodoméstico.
- Deseche todos los materiales de embalaje (como bolsas de plástico y poliestireno extruido) lejos de los niños. Los materiales de embalaje pueden causar asfixia.

Funcionamiento

PRECAUCIÓN

Para reducir el riesgo de lesiones menores a personas, mal funcionamiento o daños al producto o a la propiedad al usar este producto, siga las precauciones básicas, que incluyen las siguientes:

- Tenga cuidado con los niños que se encuentren en las inmediaciones cuando abra o cierre la puerta del electrodoméstico. La puerta puede golpear al niño y causar lesiones.
- Evite el peligro de que los niños queden atrapados dentro del electrodoméstico. Un niño atrapado dentro del electrodoméstico puede causar asfixia. No toque los alimentos congelados ni las partes metálicas del congelador con las manos húmedas o mojadas. Se podría causar lesiones por congelación.
- No coloque recipientes de vidrio, botellas o latas (especialmente aquellos que contienen bebidas carbonatadas) en el compartimiento del congelador, estantes o depósito de hielo que estarán expuestos a temperaturas por debajo de la congelación.
- El vidrio templado en la parte delantera de la puerta del electrodoméstico o los estantes puede dañarse por un impacto. Si está roto. No lo toque con las manos húmedas.
- No cuelgue de las puertas del electrodoméstico, del espacio de almacenamiento, del estante, ni suba se a él.
- No almacene una cantidad excesiva de botellas de agua o recipientes para guarniciones en las cestas de las puertas.
- No abra ni cierre la puerta del aparato con fuerza excesiva.
- Si la bisagra de la puerta del electrodoméstico está dañada o no funciona correctamente, deje de usarlo y póngase en contacto con un centro de servicio técnico autorizado.
- Evite que los animales mordisqueen el cable de alimentación o la manguera de agua.
- Nunca coma alimentos congelados inmediatamente después de haberlos sacado del compartimiento del congelador.
- Asegúrese de no atascar una mano o un pie al abrir o cerrar la puerta o door-in-door del electrodoméstico.

Mantenimiento

- Cuando los estantes o las tapas de vidrio están fríos, no los limpie con agua tibia. Se rompen si se exponen a cambios repentinos de temperatura.
- No ponga los estantes boca abajo. Los estantes pueden caerse.
- Para eliminar la escarcha del electrodoméstico, póngase en contacto con un centro de servicio técnico de Samsung Electronics.
- Deseche el hielo dentro del depósito de hielo en el compartimiento del congelador durante un corte de energía prolongado.

Declaración de conformidad

Por la presente, Samsung declara que este equipo de radio cumple con la Directiva 2014/53/UE y con los requisitos legales pertinentes en el Reino Unido. El texto completo de la declaración de conformidad de la Unión Europea y de la declaración de conformidad del Reino Unido está disponible en la siguiente dirección de Internet: La declaración de conformidad oficial puede encontrarse en <http://www.samsung.com>; vaya a Soporte > Buscar soporte del producto, e introduzca el nombre del modelo.

PRECAUCIÓN (aplicable solo al tipo Family Hub)

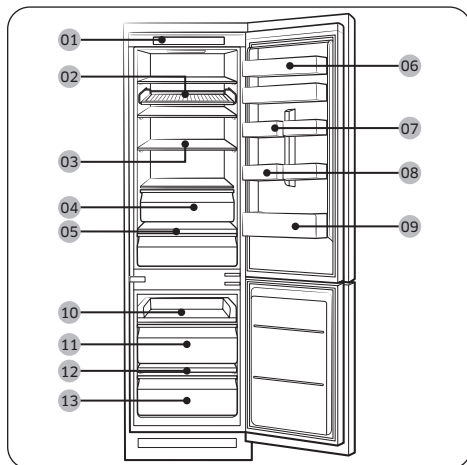
La función de la WLAN de 5 GHz de este equipo solo puede utilizarse en interiores. Este equipo funciona en todos los países de la UE y en el Reino Unido.

	Rango de frecuencia	Potencia del transmisor (máx.)
Wifi	2412 - 2472 MHz	20 dBm
	5120 - 5250 MHz	23 dBm
	5250 - 5350 MHz	20 dBm
	5470 - 5725 MHz	27 dBm
Bluetooth	2402 - 2480 MHz	20 dBm

Instalación

Descripción general del frigorífico

El refrigerador real y los componentes proporcionados con él pueden diferir de las ilustraciones de este manual, según el modelo y el país.



- 01 Panel de control
 - 02 Estante para vino *
 - 03 Estante del frigorífico *
 - 04 Cajón del frigorífico *
 - 05 Estante para verduras *
 - 06 Protección superior *
 - 07 Protección para variedades
 - 08 Bandeja para huevos *
 - 09 Protección del frigorífico
 - 10 Estante deslizante
 - 11 Cajón central del congelador
 - 12 Estante del congelador *
 - 13 Cajón inferior del congelador
- * solo en modelos aplicables

NOTA

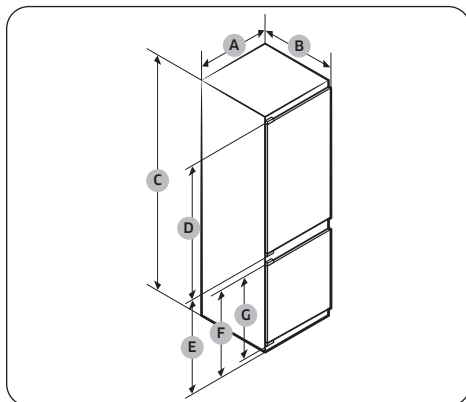
- Para mayor eficiencia energética, asegúrese de que todos los estantes, cajones y cestas están en su posición original.
- Solo para los modelos que tienen estante del congelador:
 - Para congelar rápidamente grandes cantidades de alimentos, utilice el congelador después de retirar el cajón inferior del congelador.
 - Para obtener más espacio, puede retirar el estante deslizante (10) y los dos cajones del congelador (11, 13) que se encuentran debajo, pero mantener el estante del congelador en el cajón inferior del congelador. No afectan a las características térmicas y mecánicas. El volumen de almacenamiento declarado del compartimento de alimentos congelados se calcula con el estante y los cajones del congelador retirados.

Instalación

Espacio requerido

Consulte las imágenes y las tablas siguientes para las necesidades en cuanto a espacio de la instalación.

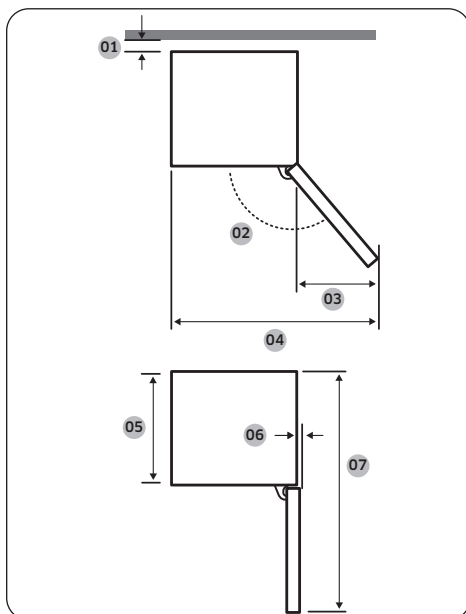
Dimensiones del producto



	BRB***26*	BRB***30*
A	540±2	540±2
B	550±2 (con puerta)	550±2 (con puerta)
C	1775±2	1935±2
D	987	1147
E	735	735
F	671	671
G	621	621

(unidad: mm)

Dimensiones totales del producto



Modelo	BRB*****S0 TIPO DESLIZANTE	BRB*****F0 TIPO FIJO
01*	10 (mín.) / 30 (recomendado)	
02	95° (recomendado)	115° (recomendado)
03	218	180
04	758	700
05	510	510
06	1	5
07	1055	1055

* 01: Desde el armario hasta la parte trasera del producto.

(unidad: mm)

NOTA

- El consumo de energía especificado se basa en la condición de una separación de 10 mm entre el armario y la parte trasera del producto. El producto funcionará correctamente incluso con una separación inferior a 10 mm, aunque consumirá algo más de energía.
- Recomendamos utilizar un armario de 18 mm de grosor con bisagras de menos de 20 mm.

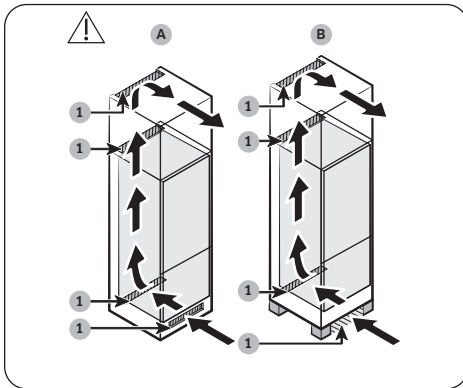
NOTA

- Las medidas de la tabla anterior pueden diferir, dependiendo del método de medición.
- Para la instalación empotrada, consulte el manual de instalación.

Sistema de ventilación del armario

Como se muestra en la figura, el aire que entra en el frigorífico circula por la vía de ventilación (ver la dirección de la flecha) del armario. El armario debe tener un espacio mínimo de 200 cm² (ancho x alto: 500 mm x 40 mm) de espacio tanto para la entrada como para la salida de aire. Además, el armario debe tener un respiradero trasero de al menos 200 cm² (ancho x alto: 500 mm x 40 mm) de espacio en la parte inferior trasera.

Entrada de aire

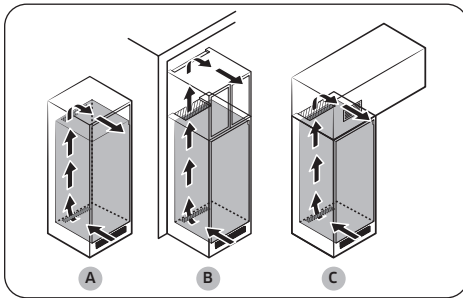


1	200 cm ²
---	---------------------

La entrada de aire debe colocarse en uno de los ejemplos siguientes, o en una posición similar, según el tipo de armario.

- A. Un orificio de ventilación incluido en el armario.
- B. Un armario con patas.

Salida de aire



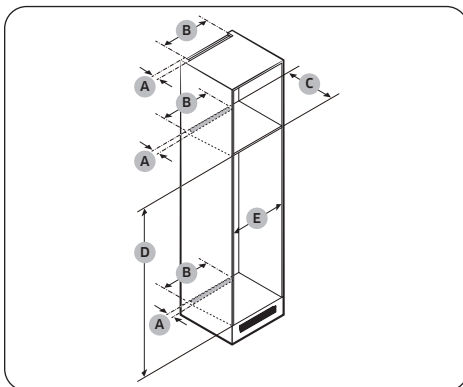
La salida de aire debe colocarse en uno de los ejemplos siguientes, o en una posición similar, dependiendo del tipo de armario.

- A. Inmediatamente por encima del frigorífico con una rejilla de ventilación opcional
- B. Cerca del techo del armario
- C. Por encima del frigorífico con una rejilla de ventilación incorporada por separado

⚠ PRECAUCIÓN

Independientemente del diseño del armario, el sistema de ventilación de aire no debe estar bloqueado por ningún tipo de instalación.

Dimensiones del armario



⚠ PRECAUCIÓN

Si el armario tiene puerta, asegúrese de que esta no pese para evitar que se vuelque o se caiga.

Puerta del armario	Anchura (mm)	Peso (kg)
Lado del frigorífico	Mín.16	Máx.18
Lado del congelador	Máx.19	Máx.12

Cualquier fallo del producto debido a lo siguiente no está cubierto por la garantía.

- 1. Condiciones de emplazamiento inadecuadas o tamaños de armario incorrectos
- 2. Armario defectuoso
- 3. Errores del instalador o del usuario

Instalación

Espacio requerido

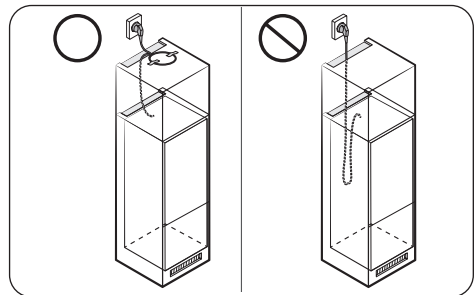
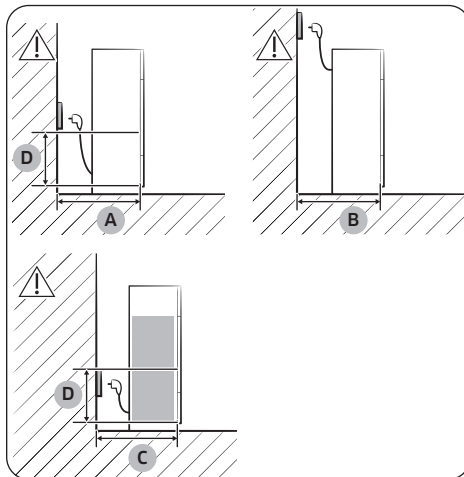
Consulte las imágenes y las tablas siguientes para conocer los requisitos de espacio para la instalación.

Modelo		A (mm)	B (mm)	C (mm)	D (mm)	E (mm)	Observación
BRB***26**SO TIPO DESLIZANTE	Mín.	40	500	560	1778	560	
	Recomendado			580	1780	562	
	Máx.			-	1782	568	
BRB***26**FO TIPO FIJO	Mín.	40	500	560	1778	555	Bisagra: 17 mm
	Recomendado			580	1780	562	
	Máx.			-	1782	568	
BRB***30**SO TIPO DESLIZANTE	Mín.	40	500	560	1938	560	
	Recomendado			580	1940	562	
	Máx.			-	1942	568	
BRB***30**FO TIPO FIJO	Mín.	40	500	560	1938	555	Bisagra: 17 mm
	Recomendado			580	1940	562	
	Máx.			-	1942	568	

NOTA

- Si la anchura de un armario es superior a 568 mm, la junta (entre el frigorífico y el armario) puede aflojarse.
- Si el armario es más alto que las dimensiones máximas (1782 mm), deberá utilizar otros materiales de acabado para rellenar el hueco.

Consideración en cuanto a la ubicación de la toma de corriente y del espacio necesario



A	Mín. 590
B	Mín. 560
C	Mín. 580
D	240

(unidad: mm)

NOTA

Si instala el frigorífico en un armario de 560 mm de profundidad, asegúrese de que el cable de alimentación está dispuesto en un lateral del frigorífico antes de enchufarlo a la toma de corriente. Si el cable de alimentación está en la parte trasera del frigorífico, podría disminuir la eficiencia energética.

Mantenimiento

Limpeza

Interior y exterior

ADVERTENCIA

- No limpie con benceno, disolvente, vinagre, lejía líquida, bicarbonato sódico, cítricos, mezclas de sal o detergentes para hogar/automóvil como Clorox™. Podría dañar la superficie del frigorífico y provocar un incendio.
- No rocíe agua sobre el frigorífico. Se podría producir una descarga eléctrica.

Utilice regularmente un paño seco para limpiar cualquier sustancia extraña, como polvo o agua, de los terminales del enchufe y los puntos de contacto.

1. Desenchufe el cable de alimentación.
2. Utilice un paño suave y sin pelusa o una toalla de papel humedecidos para limpiar el interior y el exterior del frigorífico.
3. A continuación, seque bien con un paño o una toalla de papel secos.
4. Enchufe el cable de alimentación.

Lámparas LED

Para reemplazar las lámparas del frigorífico, póngase en contacto con un centro local de servicio técnico de Samsung.

ADVERTENCIA

El usuario no debe reemplazar las lámparas. No intente sustituir una lámpara usted mismo. Se puede producir una descarga eléctrica.

Lámpara (fuente de luz)

Este producto contiene una fuente de luz de clase de eficiencia energética <G>.

La(s) lámpara(s) o los auxiliares eléctricos no son reparables por parte del usuario. Para sustituir la(s) lámpara(s) o los auxiliares eléctricos del producto, póngase en contacto con un centro local de servicio técnico de Samsung.

Para obtener instrucciones detalladas sobre la sustitución de la(s) lámpara(s) o los auxiliares eléctricos de su producto, visite el sitio web de Samsung (<http://www.samsung.com>), vaya a Soporte > Página de inicio de soporte, y luego introduzca el nombre del modelo.

Para obtener instrucciones detalladas sobre el desmantelamiento de la(s) lámpara(s) o los auxiliares eléctricos, simplemente siga las instrucciones de sustitución, tal y como se ha descrito anteriormente.

Apéndice

Información para el modelo y el pedido de piezas de repuesto

Información del modelo

Para acceder a la información del etiquetado energético de este producto en el registro europeo de productos para el etiquetado energético (EPREL), escanee el código QR que figura en la etiqueta energética. Encontrará el código QR en la etiqueta energética incluida en la caja del producto.

Información sobre las piezas

- El período mínimo durante el cual se dispone de las piezas de repuesto necesarias para la reparación del aparato es
 - 7 años para termostatos, sensores de temperatura, placas de circuitos impresos y fuentes de luz, tiradores de puertas, bisagras de puertas, bandejas, cestas (cajas o cajones)
 - 10 años para juntas de puertas
- La duración mínima de la garantía del aparato frigorífico ofrecida por el fabricante es de 24 meses.
- Información pertinente para solicitar piezas de repuesto, directamente o a través de otros canales proporcionados por el fabricante, el importador o el representante autorizado.
- Puede encontrar información sobre reparación profesional en <http://samsung.com/support>.

- Puede encontrar el manual de mantenimiento del usuario en <http://samsung.com/support>.

Instrucciones de instalación

Para los aparatos frigoríficos con clase climática

- Según la clase climática, este aparato frigorífico está diseñado para utilizarse en el rango de temperaturas ambiente como se especifica en la tabla siguiente.
- La clase climática se encuentra en la placa de características. Es posible que el producto no funcione correctamente a temperaturas fuera del rango específico.
- Puede encontrar la clase climática en la etiqueta del interior de su frigorífico

Apéndice

Rango de temperatura efectiva

Este frigorífico está diseñado para funcionar normalmente en el rango de temperatura especificado por su categoría de calificación.

Clase	Símbolo	Rango de temperatura ambiente (°C)	
		IEC 62552 (ISO 15502)	ISO 8561
Templado prolongado	SN	+10 a +32	+10 a +32
Templado	N	+16 a +32	+16 a +32
Subtropical	ST	+16 a +38	+18 a +38
Tropical	T	+16 a +43	+18 a +43

NOTA

La capacidad de enfriamiento y el consumo de energía del frigorífico pueden verse afectados por la temperatura ambiente, la frecuencia con que se abre la puerta y la ubicación del electrodoméstico. Se recomienda ajustar la configuración de la temperatura según sea apropiado.

Instrucciones sobre la temperatura

Temperatura recomendada

Ajuste perfecto de temperatura para el almacenamiento de alimentos:

- Frigorífico: 3 °C
- Congelador: -19 °C

NOTA

El ajuste de temperatura óptimo de cada compartimento depende de la temperatura ambiente. Por encima de la temperatura ambiente se basa en la temperatura ambiente de 25 °C.

Enfriamiento rápido

Enfriamiento rápido acelera el proceso de enfriamiento con la velocidad máxima del ventilador. El frigorífico funciona a la máxima velocidad durante dos horas y media y luego vuelve a la temperatura anterior.

Congelación rápida

Congelación rápida acelera el proceso de congelación a su máxima velocidad. El congelador funciona a la máxima velocidad durante 50 horas y luego vuelve a la temperatura anterior. Para congelar grandes cantidades de alimentos, active Congelación rápida al menos 20 horas antes de guardar alimentos en el congelador.

NOTA

El uso de esta función aumenta el consumo energético del frigorífico. No se olvide de desactivarla cuando no la utilice y restablezca el ajuste de temperatura original del congelador.

Cómo almacenar para una mejor conservación (solo modelos aplicables)

Tape los alimentos para que retengan la humedad y para evitar que adquieran olores de otros alimentos. Los grandes recipientes de comida como sopas o guisos deben dividirse en porciones menores y colocarse en recipientes menos profundos antes de refrigerarse. Los cortes grandes de carne o las aves enteras deben dividirse en trozos más pequeños y colocarse en recipientes menos profundos antes de refrigerarse.

Colocación de los alimentos

Estantes	Los estantes deben poder ajustarse para almacenar diferentes envases.
Compartimento especializado (solo modelos aplicables)	Los cajones sellados son el ambiente perfecto para almacenar frutas y verduras. Las verduras necesitan condiciones de mayor humedad, mientras que las frutas necesitan condiciones de menor humedad. Los cajones de verduras están equipados con dispositivos de control que controlan el nivel de humedad. (*En función del modelo y opciones) Un cajón para carne con temperatura regulable maximiza el tiempo de almacenamiento de carnes y quesos.
Almacenamiento en la puerta	No almacene alimentos perecederos en la puerta. Los huevos deben almacenarse en el cartón o en una estante. La temperatura en los compartimentos de almacenamiento de la puerta fluctúa más que la temperatura del armario. Mantenga la puerta cerrada el mayor tiempo posible.
Compartimento del congelador	En el compartimento del congelador puede almacenar comida congelada, hacer cubos de hielo y congelar comida fresca.

NOTA

Congele únicamente alimentos frescos y en buen estado. Mantenga separados los alimentos que vaya a congelar y los ya congelados. Para que los alimentos no pierdan su aroma ni se sequen, colóquelos en recipientes herméticos.

Cuadro de almacenamiento del frigorífico y el congelador

La duración en que los alimentos permanecen frescos depende de la temperatura y de la exposición a la humedad. Puesto que las fechas en los productos no son una guía para su consumo seguro, consulte este cuadro y siga estos consejos.

Producto		Frigorífico	Congelador
Productos lácteos	Leche	1 semana	1 mes
	Mantequilla	2 semanas	12 meses
	Queso para untar	2 semanas	No recomendado
Carne	Chuletas, filetes y asados frescos	3-4 días	2-3 meses
	Salchichas, carne cruda de cerdo, ternera, pavo	1-2 días	1-2 meses
Aves / Huevos	Aves frescas	2 días	6-8 meses
	Huevos, frescos en estante	2-4 semanas	No recomendado
Pescado / Marisco	Pescado fresco	1-2 días	3-6 meses
	Pescado seco o en escabeche	3-4 semanas	-
Fruta	Manzanas	1 mes	-
	Otra fruta fresca	3-5 días	9-12 meses
Verduras	Espárragos	2-3 días	-
	Brócoli, coles de Bruselas, guisantes, setas	3-5 días	-
	Repollo, coliflor, apio, pepino, lechuga	1 semana	-
	Zanahoria, remolacha, rábano	2 semanas	-

Apéndice

Instrucciones sobre los RAEE



Eliminación correcta de este producto (Residuos de aparatos eléctricos y electrónicos)
(Se aplica en países con sistemas de recolección por separado)

La presencia de este símbolo en el producto, los accesorios o el material informativo que lo acompañan indica que al finalizar su vida útil ni el producto ni sus accesorios electrónicos (como el cargador, los cascos, el cable USB) deberán eliminarse junto con otros residuos domésticos. Para evitar los posibles daños al medio ambiente o a la salud humana que representa la eliminación incontrolada de residuos, separe estos productos de otros tipos de residuos y recíclelos correctamente. De esta forma se promueve la reutilización sostenible de recursos materiales.

Los usuarios particulares pueden contactar con el establecimiento donde adquirieron el producto o con las autoridades locales pertinentes para informarse sobre cómo y dónde pueden llevarlo para que sea sometido a un reciclaje ecológico y seguro.

Los usuarios comerciales pueden contactar con su proveedor y consultar las condiciones del contrato de compra. Este producto y sus accesorios electrónicos no deben eliminarse junto a otros residuos comerciales.

Para obtener información sobre los compromisos medioambientales y las obligaciones normativas del producto de Samsung, por ejemplo, las Directivas REACH, RAEE y de pilas, visite nuestra página de sostenibilidad disponible a través de www.samsung.com
(Solo para productos que se venden en países europeos y Reino Unido)

Frigorífico

Aparelho encastrado

Manual do utilizador simples

- Para obter instruções detalhadas sobre a instalação e limpeza dos aparelhos, visite o site da Samsung (<http://www.samsung.com>), vá para Suporte > Página inicial de suporte e introduza o nome do modelo.
- Para verificar o nome do modelo do produto, veja a etiqueta incluída com o produto.
- Abra a aplicação para leitura de códigos QR e digitalize a imagem do código QR incluída com o produto. Pode aceder a "Registo do produto", "Manual" e "Suporte ao cliente".
- As figuras e ilustrações são fornecidas apenas como referência e podem não corresponder à aparência real do produto. O design e as especificações do produto podem ser alterados sem aviso prévio.



Digitalize esta imagem do código QR com o seu telefone.

Informações de segurança

- Parabéns pela aquisição do seu novo aparelho Samsung. Este manual contém informações importantes sobre a instalação, utilização e manutenção do seu aparelho. Antes de utilizar o aparelho, leia atentamente este manual para saber como utilizar de forma segura e eficaz as funcionalidades e funções deste novo aparelho.

Símbolos de segurança importantes

O que significam os ícones e símbolos neste manual do utilizador:

AVISO

Perigos ou práticas pouco seguras que podem resultar em **ferimentos graves, morte e/ou danos materiais**.

ATENÇÃO

Perigos ou práticas pouco seguras que podem resultar em **ferimentos e/ou danos materiais**.

Leia as instruções

Depois de ler este manual, guarde-o num local seguro para referência futura.

Leia todas as instruções antes de utilizar o aparelho.

NOTA

Informações suplementares que podem ser úteis

Informações de segurança

AVISO

O incumprimento das instruções pode provocar choques elétricos, ferimentos, incêndio, avarias ou explosão.

Precauções de segurança importantes



AVISO: risco de incêndio/materiais inflamáveis

1. Este aparelho não se destina a ser utilizado por pessoas (incluindo crianças) com capacidades físicas, sensoriais ou mentais reduzidas, ou falta de experiência e conhecimentos, exceto se forem supervisionadas ou lhes tiverem sido dadas instruções sobre a utilização do aparelho por uma pessoa responsável pela sua segurança.
2. **Para utilização na Europa:** Este aparelho pode ser utilizado por crianças com idade igual ou superior a oito anos, por pessoas com capacidades mentais, sensoriais ou físicas reduzidas ou por pessoas com falta de experiência e conhecimentos de utilização desde que sejam supervisionadas ou tenham recebido instruções relativas à utilização segura do aparelho e que percebam os eventuais riscos envolvidos. As crianças não devem brincar com o aparelho. A limpeza e manutenção necessárias não devem ser feitas por crianças sem supervisão de um adulto responsável. As crianças dos 3 aos 8 anos podem carregar e descarregar aparelhos de refrigeração.
3. As crianças devem ser vigiadas para impedir que brinquem com o aparelho.
4. Se o cabo de alimentação estiver danificado, tem de ser substituído pelo fabricante, pelo respetivo representante da assistência ou por agentes qualificados, para evitar qualquer tipo de risco.
5. Este aparelho contém uma pequena quantidade de isobutano refrigerante combustível (R-600a). Para a instalação, manuseamento, reparação e eliminação do aparelho, deverá ter cuidado para garantir que nenhuma peça do circuito de refrigeração fica danificada.
6. O gás R-600a ou R-134a é utilizado como refrigerante. Verifique a etiqueta do compressor na parte posterior do aparelho ou a etiqueta de classificação no interior do frigorífico para saber qual o refrigerante utilizado no seu aparelho. Se este produto contiver gás inflamável (refrigerante R-600a), contacte as autoridades locais para saber como eliminar este produto em segurança.

-
7. Não danifique o circuito de refrigeração.
 8. Para evitar a formação de uma mistura inflamável de gás e ar na eventualidade de uma fuga no circuito de refrigeração, a divisão tem de ter 1 m^3 por cada 8 g de refrigerante R-600a no interior do aparelho. Desligue o aparelho da tomada caso apresente sinais de danos e consulte o seu revendedor, em caso de dúvida.
 9. O ciclopentano é utilizado no isolamento. Os gases existentes no material de isolamento requerem um procedimento de eliminação especial. Contacte as autoridades locais para uma eliminação ambientalmente segura deste aparelho.
 10. A tomada tem de ter acesso fácil, para que o aparelho possa ser desligado rapidamente da corrente, em caso de emergência.
 11. Ao instalar o aparelho, assegure-se de que o cabo de alimentação não está preso nem danificado.
 12. Não coloque extensões de tomadas múltiplas nem fontes de alimentação portáteis atrás do aparelho.
 13. Este aparelho de uso doméstico destina-se também a ser utilizado em aplicações semelhantes como:
 - em zonas de cozinha de funcionários em lojas, escritórios e em outros ambientes de trabalho;
 - em casas de campo/quintas, hotéis, motéis e outros tipos de ambientes residenciais;
 - em ambientes tipo pousada;
 - em serviços de catering e em outras aplicações semelhantes que não se destinem a retalho.
 14. Mantenha as aberturas de ventilação do aparelho e da estrutura incorporada desobstruídas.
 15. Não utilize dispositivos mecânicos ou quaisquer outros meios para acelerar o processo de descongelação, que não sejam os recomendados pelo fabricante.
 16. Não utilize aparelhos elétricos dentro dos compartimentos do frigorífico destinados à conservação de alimentos, a menos que sejam do tipo recomendado pelo fabricante.
 17. Não guarde objetos ou substâncias voláteis ou inflamáveis no frigorífico.
 - Este frigorífico destina-se exclusivamente a armazenar alimentos.
 - Tal pode resultar em incêndio ou explosão.
 18. Não armazene substâncias explosivas, tais como latas de aerossóis com um propulsor inflamável, neste aparelho.
 19. Para uma utilização mais eficiente da energia, mantenha todos os acessórios internos, tais como cestos, gavetas e prateleiras, na posição definida pelo fabricante.

Informações de segurança

20. Ligue o frigorífico apenas a uma fonte de abastecimento de água potável. (apenas nos modelos aplicáveis)
21. Encha apenas com água potável. (apenas nos modelos aplicáveis)
 - Encha o depósito de água e as cuvetes de gelo apenas com água potável (água mineral ou purificada).
 - Não encha o depósito com chá, sumo ou refrigerantes, pois tal poderá danificar o frigorífico.
22. Devem ser utilizados novos conjuntos de mangueiras fornecidos com o aparelho e os conjuntos de mangueiras antigos não devem ser reutilizados.
23. Ligue o frigorífico apenas a uma fonte de abastecimento de água potável. Para que funcione corretamente, é necessária uma pressão de água de 206 a 861 kPa (30 a 125 psi).
24. Se o produto estiver equipado com lâmpadas LED, contacte um centro de assistência local da Samsung ou os seus agentes para substituir as lâmpadas.
25. Para evitar a contaminação de alimentos, respeite as seguintes instruções:
 - Deixar a porta aberta durante muito tempo pode originar um aumento de temperatura significativo nos compartimentos do aparelho.
 - Limpe regularmente as superfícies que estejam em contacto com alimentos e sistemas de drenagem acessíveis.
 - Se os depósitos de água não tiverem sido utilizados durante 48 horas, limpe-os; se a água for a mesma durante 5 dias, lave o sistema de abastecimento de água ligado a uma fonte de abastecimento de água.
 - Armazene carne e peixe crus em recipientes adequados no frigorífico, de modo a não entrarem em contacto com outros alimentos e para que não pinguem sobre estes.
 - Os compartimentos de alimentos congelados de duas estrelas são adequados para armazenar alimentos pré-congelados, para armazenar ou fazer gelados e para fazer cubos de gelo.
 - Os compartimentos de uma, duas e três estrelas não são adequados para congelar alimentos frescos.
 - Se o aparelho de refrigeração ficar vazio durante muito tempo, desligue-o, descongele-o, limpe-o, seque-o e deixe a sua porta aberta para evitar a formação de bolor no seu interior.
26. A temperatura da secção (secções) de duas estrelas ou do compartimento (compartimentos) que tem o símbolo de duas estrelas (❄️) é ligeiramente mais elevada do que em outros compartimentos do congelador.
27. Para evitar riscos decorrentes da instabilidade do aparelho, instale-o de acordo com as instruções.



Instalação

- Este aparelho apenas deve ser transportado por duas ou mais pessoas, as quais devem segurá-lo bem.
- Instale o aparelho numa superfície firme e nivelada.
- Não instale o aparelho num local húmido ou com pó. Não instale ou armazene o aparelho no exterior ou em qualquer área sujeita a condições climáticas como a luz solar direta, vento, chuva ou temperaturas abaixo de zero.
- Não coloque o aparelho num local com exposição solar direta ou próximo de aparelhos que emanem calor como fogões ou aquecedores.
- Tenha cuidado para não expor a parte posterior do aparelho durante a instalação.
- Instale o aparelho num local onde tenha fácil acesso à respetiva ficha de alimentação.
- Tenha cuidado para não deixar cair a porta do aparelho durante a montagem ou desmontagem.
- Tenha cuidado para não trilhar, esmagar ou danificar o cabo de alimentação durante a montagem ou desmontagem da porta do aparelho.
- Tenha cuidado para não apontar a ficha de alimentação para cima ou encostar o aparelho à ficha.
- Não ligue um adaptador de tomada ou outros acessórios à ficha de alimentação.
- Não modifique ou prolongue o cabo de alimentação.
- Certifique-se de que a tomada tem ligação à terra e de que o pino de terra do cabo de alimentação não está danificado e não é retirado da ficha. Para saber mais sobre a ligação à terra, consulte um centro de assistência da Samsung Electronics.
- Este aparelho está equipado com um cabo de alimentação que inclui um condutor de ligação à terra e uma ficha de ligação à terra. A ficha deve ser ligada a uma tomada adequadamente instalada e ligada à terra em conformidade com todos os códigos e decretos locais.
- Nunca ligue um aparelho que aparente estar danificado. Em caso de dúvida, consulte o seu distribuidor.
- Não ligue o aparelho a adaptadores para várias tomadas sem cabo de alimentação (de parede).
- O aparelho deve ser ligado a uma linha elétrica própria com um fusível separado.
- Não use uma tomada múltipla sem uma ligação à terra adequada (portátil). Se utilizar uma tomada múltipla (portátil) com ligação à terra adequada, certifique-se de que tem uma capacidade de corrente igual ou superior à do cabo de alimentação, e use a tomada apenas para o aparelho.
- Elimine todos os materiais de embalagem (como sacos de plástico e esferovite) longe das crianças. Os materiais de embalagem podem provocar asfixia.

Funcionamento

ATENÇÃO

Para reduzir o risco de ferimentos ligeiros, avaria, danos ao produto ou danos materiais, siga precauções básicas durante a utilização do produto, incluindo as que se seguem:

- Ao abrir ou fechar a porta do aparelho, tenha atenção a crianças na sua proximidade. A porta pode atingir a criança e causar ferimentos.
- Evite que as crianças fiquem presas dentro do aparelho. Uma criança presa no interior do aparelho poderá sofrer asfixia. Não toque nos alimentos congelados ou nas partes metálicas do compartimento do congelador com as mãos molhadas ou húmidas. Pode ficar com queimaduras de frio.
- Não coloque recipientes de vidro, garrafas ou latas (especialmente de bebidas gaseificadas) em áreas expostas a temperaturas abaixo de zero, como o compartimento do congelador, as prateleiras ou o compartimento de gelo.
- O vidro temperado na parte da frente da porta do aparelho ou nas prateleiras pode ser danificado por um impacto. Se o vidro se partir, não lhe toque com as mãos.
- Não se segure nem suba para as portas do aparelho, o espaço de armazenamento ou as prateleiras.
- Não guarde uma quantidade excessiva de garrafas de água ou recipientes para acompanhamentos nos cestos da porta.
- Não abra ou feche a porta do aparelho com demasiada força.
- Se a dobradiça da porta estiver danificada ou não funcionar corretamente, pare de usar o aparelho e contacte um centro de assistência autorizado.
- Não deixe que os animais mordam o cabo de alimentação ou a mangueira de água.
- Nunca coma alimentos congelados imediatamente depois de os retirar do compartimento do congelador.
- Certifique-se de que não entala uma mão ou um pé ao abrir ou fechar as portas do aparelho.

Manutenção

- Não limpe prateleiras ou tampas de vidro com água morna quando estas estão frias. Se forem expostas a mudanças súbitas de temperatura, podem partir-se.
- Não coloque as prateleiras viradas para baixo. Podem cair.
- Para remover o gelo acumulado dentro do aparelho, contacte um centro de assistência da Samsung Electronics.
- Elimine o gelo dentro do compartimento de gelo do congelador durante um corte de energia prolongado.



Informações de segurança

Declaração de conformidade

A Samsung declara, desta forma, que este equipamento de rádio está em conformidade com a Diretiva 2014/53/UE e com os requisitos estatutários relevantes no Reino Unido.

O texto integral da declaração de conformidade da UE e da declaração de conformidade do Reino Unido está disponível no seguinte endereço de Internet: A declaração de conformidade oficial encontra-se disponível em <http://www.samsung.com>. Aceda a Suporte > Procurar suporte do produto e introduza o nome do modelo.

⚠ ATENÇÃO (aplicável apenas ao tipo Family Hub)

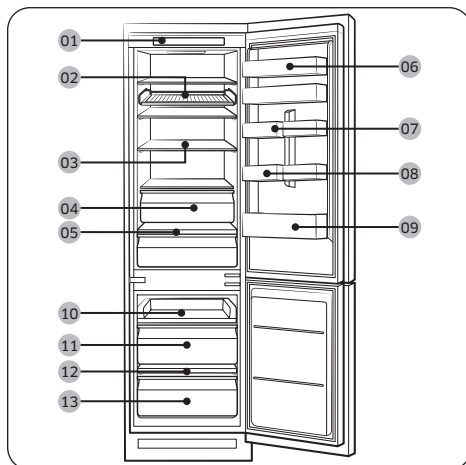
A função WLAN de 5 GHz deste equipamento apenas pode ser utilizada no interior. Este equipamento pode ser utilizado em todos os países da UE e no Reino Unido.

	Intervalo de frequência	Potência do transmissor (máx.)
Wi-Fi	2412 – 2472 MHz	20 dBm
	5120 – 5250 MHz	23 dBm
	5250 – 5350 MHz	20 dBm
	5470 – 5725 MHz	27 dBm
Bluetooth	2402 – 2480 MHz	20 dBm

Instalação

Visão geral do frigorífico

O frigorífico e os componentes do frigorífico fornecidos podem variar das imagens neste manual, consoante o modelo e o país.



- 01 Painel de controlo
 - 02 Prateleira para vinhos *
 - 03 Prateleira do frigorífico *
 - 04 Gaveta de frigorífico *
 - 05 Prateleira dos vegetais *
 - 06 Compartmento superior *
 - 07 Compartmento da porta para diversos produtos
 - 08 Compartmento para ovos *
 - 09 Compartmento da porta do frigorífico
 - 10 Prateleira deslizante
 - 11 Gaveta do meio do congelador
 - 12 Prateleira do congelador *
 - 13 Gaveta inferior do congelador
- * apenas modelos aplicáveis

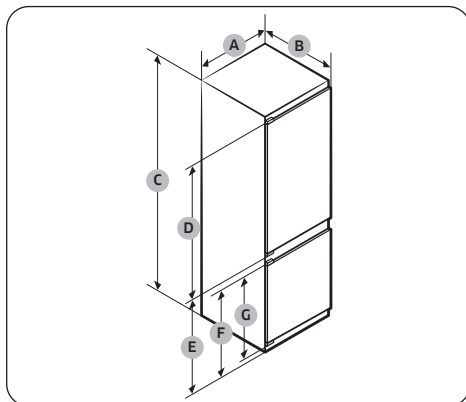
📖 NOTA

- Para obter a melhor eficiência energética possível, certifique-se de que todos os cestos, prateleiras e gavetas estão colocados na respetiva posição original.
- Apenas nos modelos com prateleira do congelador:
 - Para congelar rapidamente grandes quantidades de alimentos, utilize o congelador após remover a gaveta inferior.
 - Para obter mais espaço, pode retirar a prateleira deslizante (10) e as duas gavetas do congelador (11, 13) por baixo da mesma, mas manter a prateleira do congelador na gaveta inferior do congelador. Estas não afetam as características térmicas e mecânicas. A capacidade declarada de armazenamento de alimentos congelados deste compartimento é calculada sem a prateleira e as gavetas do congelador.

Folga

Consulte as imagens e as tabelas a seguir para saber os requisitos de espaço de instalação.

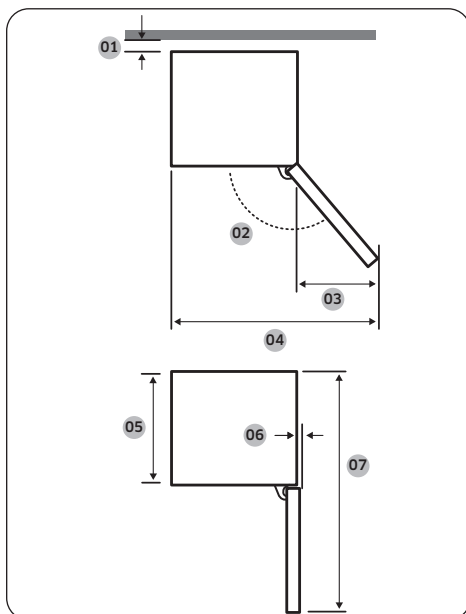
Dimensão do produto



	BRB***26*	BRB***30*
A	540±2	540±2
B	550±2 (com porta)	550±2 (com porta)
C	1775±2	1935±2
D	987	1147
E	735	735
F	671	671
G	621	621

(unidade: mm)

Dimensão global do produto



Modelo	BRB*****S0 TIPO DESLIZANTE	BRB*****F0 TIPO FIXO
01*	10 (Mín.) / 30 (Recomendado)	
02	95° (Recomendado)	115° (Recomendado)
03	218	180
04	758	700
05	510	510
06	1	5
07	1055	1055

* 01: Do armário até à traseira do produto.

(unidade: mm)

NOTA

- O consumo de energia especificado baseia-se na condição de um espaço de 10 mm do armário até à traseira do produto. O produto irá funcionar corretamente, mesmo com um espaço inferior a 10 mm, contudo, consome ligeiramente mais energia.
- É recomendado utilizar um armário com uma espessura de 18 mm, com dobradiças inferiores a 20 mm.

NOTA

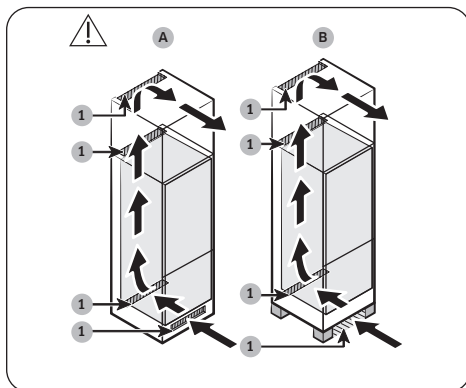
- As medidas apresentadas na tabela acima podem variar consoante o método de medição.
- Para instalação encastrada, consulte o Manual de instalação.

Instalação

Sistema de ventilação do armário

Como mostrado na imagem, o ar que entra no frigorífico circula pelo caminho de ventilação (consulte a direção da seta) do armário. O armário tem de ter, pelo menos, 200 cm² (LxA: 500 mm x 40 mm) de espaço para entrada e saída de ar. Além disso, o armário tem de ter uma ventilação traseira de, pelo menos, 200 cm² (LxA: 500 mm x 40 mm) de espaço na parte inferior traseira.

Entrada de ar

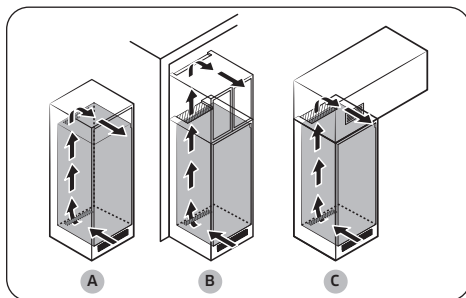


1	200 cm ²
---	---------------------

A entrada de ar tem de estar posicionada como num dos exemplos abaixo, ou numa posição semelhante, dependendo do tipo de armário.

- A. Um orifício de ventilação incluído no armário.
- B. Um armário com pés.

Saída de ar



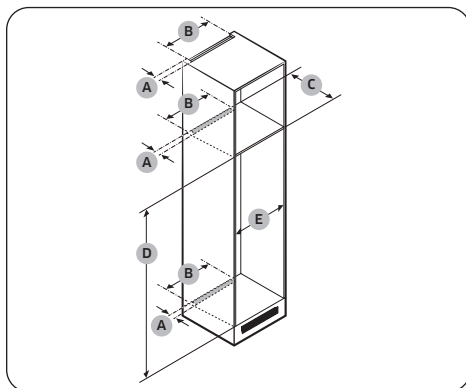
A saída de ar tem de estar posicionada como num dos exemplos abaixo, ou numa posição semelhante, dependendo do tipo de armário.

- A. Imediatamente acima do frigorífico, com uma grelha de ventilação opcional
- B. Perto do teto do armário
- C. Acima do frigorífico com uma ventilação encastrada em separado

⚠ ATENÇÃO

Independentemente do design do armário, o sistema de ventilação de ar não pode estar bloqueado por nenhum tipo de instalação.

Dimensão do armário



⚠ ATENÇÃO

Se o armário tiver uma porta, certifique-se de que a porta não é pesada, para impedir que tombe ou caia.

Porta do armário	Espessura (mm)	Peso (kg)
Lado do frigorífico	Mín.16	Máx.18
Lado do congelador	Máx.19	Máx.12

As falhas do produto causadas pelas seguintes condições não são abrangidas pela garantia.

1. Condições incorretas do local ou tamanho incorreto do armário
2. Armário danificado
3. Erros do instalador ou do utilizador

Folga

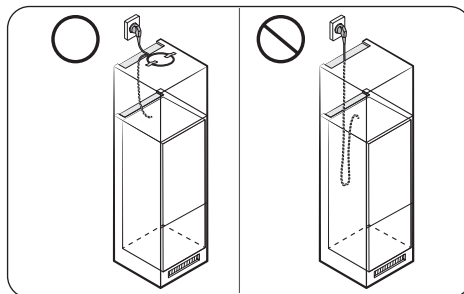
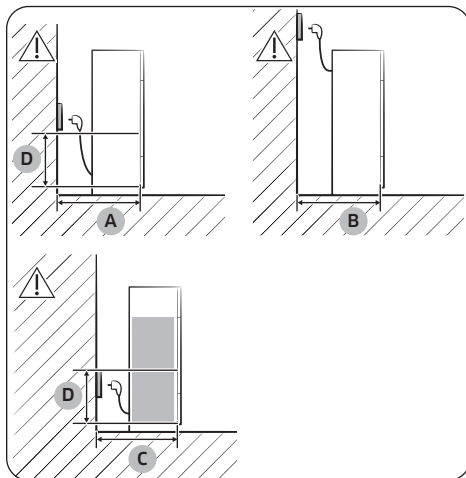
Consulte as imagens e as tabelas abaixo para saber os requisitos de espaço para a instalação.

Modelo		A (mm)	B (mm)	C (mm)	D (mm)	E (mm)	Observação
BRB***26***SO TIPO DESLIZANTE	Mín.	40	500	560	1778	560	
	Recomendado			580	1780	562	
	Máx.			-	1782	568	
BRB***26***FO TIPO FIXO	Mín.			560	1778	555	Dobradiça: 17 mm
	Recomendado			580	1780	562	
	Máx.			-	1782	568	
BRB***30***SO TIPO DESLIZANTE	Mín.	40	500	560	1938	560	
	Recomendado			580	1940	562	
	Máx.			-	1942	568	
BRB***30***FO TIPO FIXO	Mín.			560	1938	555	Dobradiça: 17 mm
	Recomendado			580	1940	562	
	Máx.			-	1942	568	

NOTA

- Se a largura de um armário for superior a 568 mm, o vedante (entre o frigorífico e o armário) pode ficar solto.
- Se o armário for superior à dimensão máxima (1782 mm), terá de utilizar outros materiais de acabamento para encher o espaço.

Consideração para a localização da tomada e o espaço requerido



A	Mín. 590
B	Mín. 560
C	Mín. 580
D	240

(unidade: mm)

NOTA

Se instalar o frigorífico num armário com uma profundidade de 560 mm, certifique-se de que o cabo de alimentação está colocado num dos lados do frigorífico antes de ligar a uma tomada. Se o cabo de alimentação estiver na traseira do frigorífico, poderá reduzir a eficiência energética.

Manutenção

Limpeza

Interior e exterior

AVISO

- Não utilize benzeno, diluente, vinagre, lixívia líquida, bicarbonato de sódio, citrinos, misturas de sal ou detergentes para casa/carro, como o Clorox™, para efeitos de limpeza. Podem danificar a superfície do frigorífico e provocar um incêndio.
- Não pulverize água sobre o frigorífico. Pode provocar choques elétricos.

Utilize regularmente um pano seco para remover todas as substâncias estranhas, como pó ou água, dos pontos de contacto e dos terminais da ficha de alimentação.

1. Retire o cabo de alimentação da tomada.
2. Utilize um pano macio sem fibras ou um toalhete de papel humedecido para limpar o interior e o exterior do frigorífico.
3. Quando terminar, utilize um pano ou toalhete de papel seco para secar bem.
4. Introduza o cabo de alimentação na tomada.

Lâmpadas LED

Para substituir as lâmpadas do frigorífico, contacte um centro de assistência técnica local da Samsung.

AVISO

As lâmpadas não podem ser substituídas pelo utilizador. Não tente substituí-las sozinho. Pode causar choques elétricos.

Lâmpada (fonte de luz)

Este produto contém uma fonte de luz com classe de eficiência energética <G>.

As lâmpadas e/ou os dispositivos de controlo não podem ser substituídos(as) pelo utilizador. Para a substituição de lâmpadas e/ou dispositivos de controlo do produto, contacte um centro de assistência local da Samsung.

Para obter instruções detalhadas sobre a substituição de lâmpadas ou dispositivos de controlo do produto, visite o site da Samsung (<http://www.samsung.com>), vá para Suporte > Página inicial de suporte e introduza o nome do modelo.

Para obter instruções detalhadas sobre a remoção de lâmpadas e/ou dispositivos de controlo, basta seguir as instruções de substituição conforme descrito acima.

Anexo

Informações sobre o modelo e a encomenda de peças de substituição

Informações sobre o modelo

Para aceder a informações de etiquetagem energética sobre este produto no EPREL (European Product Registry for Energy Labelling, Registo Europeu de Produtos para a Etiquetagem Energética), leia o código QR na etiqueta energética.

O código QR está na etiqueta energética afixada na caixa do produto.

Informações sobre as peças

- O período mínimo durante o qual as peças de substituição, necessárias para a reparação do aparelho, estão disponíveis
 - 7 anos: termostatos, sensores de temperatura, placas de circuitos impressos e fontes de luz, pegas das portas, dobradiças das portas, tabuleiros, cestos (caixas ou gavetas)
 - 10 anos: vedantes das portas
- A duração mínima da garantia do aparelho de refrigeração oferecida pelo fabricante é de 24 meses.
- Informações relevantes para a encomenda de peças de substituição, diretamente ou através de outros canais fornecidos pelo fabricante, importador ou representante autorizado
- Pode encontrar informações sobre reparação profissional em <http://samsung.com/support>.

- Pode encontrar o manual de serviço do utilizador em <http://samsung.com/support>.

Instrução de instalação

Para aparelhos de refrigeração com classe climática

- Dependendo da classe climática, este aparelho de refrigeração destina-se a ser utilizado no intervalo de temperaturas ambiente, como especificado na seguinte tabela.
- A classe climática pode ser encontrada na placa sinalética. O produto poderá não funcionar corretamente a temperaturas fora do intervalo específico.
- Pode encontrar a classe climática na etiqueta no interior do frigorífico

Intervalo de temperaturas efetivo

O frigorífico foi concebido para funcionar normalmente no intervalo de temperaturas especificado na respetiva placa de características.

Classe	Símbolo	Intervalo de temperaturas ambiente (°C)	
		IEC 62552 (ISO 15502)	ISO 8561
Temperada alargada	SN	+10 a +32	+10 a +32
Temperada	N	+16 a +32	+16 a +32
Subtropical	ST	+16 a +38	+18 a +38
Tropical	T	+16 a +43	+18 a +43

NOTA

O desempenho de refrigeração e o consumo de energia do frigorífico podem ser afetados pela temperatura ambiente, pela frequência de abertura da porta e pela localização do frigorífico. Recomendamos o ajuste das definições de temperatura conforme adequado.

Instrução de temperatura

Temperatura recomendada

Definição de temperatura ótima para armazenamento de alimentos:

- Frigorífico: 3 °C
- Congelador: -19 °C

NOTA

A definição de temperatura ideal para cada compartimento depende da temperatura ambiente. Esta temperatura ideal baseia-se numa temperatura ambiente de 25 °C.

Refrigeração rápida

O botão Refrigeração rápida permite acelerar o processo de refrigeração com a ventoinha na velocidade máxima. O frigorífico funciona à velocidade máxima durante duas horas e meia e depois regressa à temperatura anterior.

Congelação rápida

O botão Congelação rápida permite acelerar o processo de congelação com a ventoinha na velocidade máxima. O congelador funciona na velocidade máxima durante 50 horas e depois regressa à temperatura anterior. Para congelar uma grande quantidade de alimentos, ative Congelação rápida durante, pelo menos, 20 horas antes de colocar os alimentos no congelador.

NOTA

Se utilizar esta função, o consumo de energia do frigorífico aumentará. Depois de utilizar esta função, certifique-se de que desliga o modo e repõe a definição de temperatura original do congelador.

Anexo

Como guardar para melhor conservação (apenas nos modelos aplicáveis)

Tape os alimentos para reter a humidade e impedir que adquiram odores de outros alimentos. O conteúdo de uma panela grande de alimentos, tais como sopa ou guisado, deve ser dividido em pequenas porções e colocado em recipientes rasos antes de ser refrigerado. Uma peça grande de carne ou uma ave inteira deve ser dividida em pequenas porções ou colocada em recipientes rasos antes de ser refrigerada.

Colocação de alimentos

Prateleiras	As prateleiras devem ser ajustáveis para guardar uma grande variedade de embalagens.
Compartimento especializado (apenas nos modelos aplicáveis)	As gavetas dos vegetais herméticas proporcionam um ambiente de armazenamento otimizado para frutas e vegetais. Os vegetais requerem mais humidade, enquanto as frutas requerem menos humidade. Os compartimentos dos vegetais estão equipados com dispositivos para controlar o nível de humidade. (*Dependendo do modelo e das opções) Uma gaveta de carne com temperatura ajustável maximiza o tempo de armazenamento de carnes e queijos.
Armazenamento na porta	Não guarde os alimentos perecíveis na porta. Os ovos devem ser guardados na embalagem numa prateleira. A temperatura dos compartimentos de armazenamento na porta varia mais do que a temperatura no armário. Mantenha a porta fechada o máximo possível.
Compartimento do congelador	Podem guardar alimentos congelados, fazer cubos de gelo e congelar alimentos frescos no compartimento do congelador.

NOTA

Congele apenas alimentos frescos e em bom estado. Separe os alimentos a congelar dos alimentos que já estão congelados. Para evitar que os alimentos percam o seu sabor ou sequem, coloque-os em recipientes hermeticamente fechados.

Tabela de armazenamento do frigorífico e do congelador

A longevidade da frescura depende da temperatura e exposição à humidade. Uma vez que as datas dos produtos não são guias de utilização segura dos produtos, consulte esta tabela e siga estas sugestões.

Produto		Frigorífico	Congelador
Laticínios	Leite	1 semana	1 mês
	Manteiga	2 semanas	12 meses
	Queijo para barrar	2 semanas	Não recomendado
Carne	Carne para assar, bifes e costeletas frescos	3-4 dias	2-3 meses
	Salsichas, carne crua de porco, vaca, peru	1-2 dias	1-2 meses
Aves / ovos	Aves frescas	2 dias	6-8 meses
	Ovos frescos, com casca	2-4 semanas	Não recomendado
Peixe / marisco	Peixe fresco	1-2 dias	3-6 meses
	Peixe seco ou marinado	3-4 semanas	-
Frutas	Maçãs	1 mês	-
	Outra fruta fresca	3-5 dias	9-12 meses
Vegetais	Espargos	2-3 dias	-
	Brócolos, couves de Bruxelas, ervilhas, cogumelos	3-5 dias	-
	Couve, couve-flor, aipo, pepinos, alface	1 semana	-
	Cenouras, beterrabas, rabanetes	2 semanas	-

Instruções sobre REEE



Eliminação correta deste produto (Resíduos de Equipamentos Elétricos e Eletrónicos)
(Aplicável a países cujos sistemas de recolha sejam separados)

Esta identificação no produto, nos acessórios ou na literatura indica que o produto e os seus acessórios eletrónicos (por exemplo, carregador, auricular, cabo USB) não devem ser eliminados juntamente com os resíduos domésticos no final da sua vida útil. Para impedir danos ao ambiente ou à saúde humana causados pela eliminação não controlada de resíduos, deverá separar estes equipamentos de outros tipos de resíduos e reciclá-los de forma responsável, para promover uma reutilização sustentável dos recursos materiais.

Os utilizadores domésticos deverão contactar o estabelecimento onde adquiriram este produto ou as entidades oficiais locais para obterem informações sobre onde e de que forma podem entregar estes equipamentos para que seja feita uma reciclagem segura em termos ambientais.

Os utilizadores profissionais deverão contactar o seu fornecedor e consultar os termos e condições do contrato de compra. Este produto e os seus acessórios eletrónicos não deverão ser misturados com outros resíduos comerciais para eliminação.

Para obter informações sobre os compromissos ambientais da Samsung e as obrigações regulamentares do produto, por exemplo, as Diretivas REACH, REEE e de Baterias, visite a nossa página sobre sustentabilidade, disponível através do site www.samsung.com
(Apenas para produtos vendidos em países europeus)

Nota

Ψυγείο

Εντοιχιζόμενη συσκευή

Απλό εγχειρίδιο χρήσης

- Για λεπτομερείς οδηγίες σχετικά με την εγκατάσταση και τον καθαρισμό της συσκευής, επισκεφτείτε τη διαδικτυακή τοποθεσία της Samsung (<http://www.samsung.com>), μεταβείτε στο μενού Υποστήριξη > Αρχική σελίδα υποστήριξης και, στη συνέχεια, εισαγάγετε το όνομα του μοντέλου.
- Για να ελέγξετε το όνομα μοντέλου του προϊόντος, δείτε την ετικέτα που συνοδεύει το προϊόν ή είναι επικολημένη στο προϊόν.
- Ανοίξτε μια εφαρμογή σαρωτή κωδικού QR και σαρώστε την εικόνα κωδικού QR που είναι επικολημένη στο προϊόν. Μπορείτε να προσπελάσετε την «Καταχώριση προϊόντος», το «Εγχειρίδιο» και την «Εξυπηρέτηση πελατών».
- Οι εικόνες παρέχονται μόνο για αναφορά και ενδέχεται να διαφέρουν από την πραγματική εμφάνιση του προϊόντος. Η σχεδίαση και οι προδιαγραφές του προϊόντος ενδέχεται να αλλάξουν χωρίς προειδοποίηση.



Σαρώστε με το τηλέφωνό σας

Πληροφορίες για την ασφάλεια

- Συγχαρητήρια για τη νέα σας συσκευή Samsung. Αυτό το εγχειρίδιο περιέχει σημαντικές πληροφορίες για την εγκατάσταση, τη χρήση και τη φροντίδα της συσκευής σας. Διαβάστε προσεκτικά αυτό το εγχειρίδιο προτού χρησιμοποιήσετε τη συσκευή, για να διασφαλίσετε ότι γνωρίζετε πώς να χρησιμοποιείτε με ασφάλεια και αποτελεσματικά τις δυνατότητες και λειτουργίες που προσφέρει η νέα σας συσκευή.

Σημαντικά σύμβολα ασφάλειας

Τι σημαίνουν τα εικονίδια και τα σύμβολα που περιλαμβάνονται σε αυτό το εγχειρίδιο χρήσης:



ΠΡΟΕΙΔΟΠΟΙΗΣΗ

Κίνδυνος ή μη ασφαλείς πρακτικές που ενδέχεται να προκαλέσουν **σοβαρό τραυματισμό, θάνατο ή/και υλικές ζημιές.**



ΠΡΟΣΟΧΗ

Κίνδυνος ή μη ασφαλείς πρακτικές που ενδέχεται να προκαλέσουν **τραυματισμό ή/και υλικές ζημιές.**



Διαβάστε τις οδηγίες

Αφού διαβάσετε αυτό το εγχειρίδιο, φυλάξτε το σε ασφαλές μέρος για μελλοντική αναφορά.

Διαβάστε όλες τις οδηγίες προτού χρησιμοποιήσετε τη συσκευή.



ΣΗΜΕΙΩΣΗ

Συμπληρωματικές πληροφορίες που μπορεί να είναι χρήσιμες

Πληροφορίες για την ασφάλεια

ΠΡΟΕΙΔΟΠΟΙΗΣΗ

Αν δεν ακολουθήσετε τις οδηγίες, ενδέχεται να προκληθεί ηλεκτροπληξία, τραυματισμός, πυρκαγιά, βλάβη ή έκρηξη.

Σημαντικές προφυλάξεις για την ασφάλεια



ΠΡΟΕΙΔΟΠΟΙΗΣΗ: Κίνδυνος πυρκαγιάς / εύφλεκτα υλικά

1. Αυτή η συσκευή δεν προορίζεται για χρήση από άτομα (συμπεριλαμβανομένων των παιδιών) με περιορισμένες σωματικές, αισθητηριακές ή νοητικές ικανότητες, ή με έλλειψη εμπειρίας και γνώσεων, εκτός αν βρίσκονται υπό επίβλεψη ή τους έχουν δοθεί οδηγίες σχετικά με τη χρήση της συσκευής από κάποιο άτομο που είναι υπεύθυνο για την ασφάλειά τους.
2. **Για χρήση στην Ευρώπη:** Αυτή η συσκευή μπορεί να χρησιμοποιηθεί από παιδιά ηλικίας 8 ετών και άνω και από άτομα με περιορισμένες σωματικές, αισθητηριακές ή νοητικές ικανότητες ή με έλλειψη εμπειρίας και γνώσεων, εφόσον βρίσκονται υπό επίβλεψη ή ακολουθούν οδηγίες σχετικά με τη χρήση της συσκευής με ασφαλή τρόπο και κατανοούν τους κινδύνους που ενέχονται. Τα παιδιά απαγορεύεται να παίζουν με τη συσκευή. Ο καθαρισμός και η συντήρηση από τον χρήστη δεν πρέπει να πραγματοποιούνται από παιδιά χωρίς επίβλεψη. Στα παιδιά ηλικίας από 3 έως 8 ετών επιτρέπεται η τοποθέτηση και η αφαίρεση τροφίμων από τις συσκευές ψυγείου.
3. Τα παιδιά θα πρέπει να επιβλέπονται, ώστε να διασφαλίζεται ότι δεν παίζουν με τη συσκευή.
4. Αν το καλώδιο ρεύματος υποστεί ζημιά, πρέπει να αντικατασταθεί από τον κατασκευαστή, τον αντιπρόσωπο σέρβις του ή έναν εξειδικευμένο τεχνικό, προκειμένου να αποφευχθεί τυχόν κίνδυνος.

5. Αυτή η συσκευή περιέχει μια μικρή ποσότητα του εύφλεκτου ψυκτικού μέσου ισοβουτανίου (R-600a). Για την εγκατάσταση, τον χειρισμό, την επισκευή και την απόρριψη της συσκευής, θα πρέπει να είστε προσεκτικοί ώστε να διασφαλίσετε ότι δεν θα υποστεί ζημιά κανένα μέρος του κυκλώματος ψύξης.
6. Ως ψυκτικό μέσο χρησιμοποιείται το R-600a ή το R-134a. Ελέγξτε την ετικέτα του συμπιεστή στο πίσω μέρος της συσκευής ή την ετικέτα τεχνικών στοιχείων στο εσωτερικό του ψυγείου για να δείτε ποιο ψυκτικό μέσο χρησιμοποιείται για τη δική σας συσκευή. Αν αυτό το προϊόν περιέχει εύφλεκτο αέριο (ψυκτικό μέσο R-600a), επικοινωνήστε με την αρμόδια τοπική αρχή σχετικά με την ασφαλή απόρριψη αυτού του προϊόντος.
7. Μην προκαλείτε ζημιές στο κύκλωμα του ψυκτικού μέσου.
8. Για να αποτραπεί η δημιουργία ενός εύφλεκτου μείγματος αερίου-αέρα αν προκύψει διαρροή στο κύκλωμα ψύξης, ο χώρος τοποθέτησης πρέπει να έχει μέγεθος 1 m³ για κάθε 8 g ψυκτικού μέσου R-600a στο εσωτερικό της συσκευής. Επίσης, αποσυνδέστε τη συσκευή από την πρίζα αν παρουσιάζει οποιαδήποτε ένδειξη ζημιάς και συμβουλευτείτε τον τοπικό αντιπρόσωπο αν έχετε αμφιβολίες.
9. Στη μόνωση χρησιμοποιείται κυκλοπεντάνιο. Για τα αέρια που περιέχονται στο μονωτικό υλικό απαιτείται ειδική διαδικασία απόρριψης. Επικοινωνήστε με τις αρμόδιες τοπικές αρχές όσον αφορά την περιβαλλοντικά ασφαλή απόρριψη.
10. Η πρίζα πρέπει να είναι εύκολα προσβάσιμη, έτσι ώστε η συσκευή να μπορεί να αποσυνδεθεί γρήγορα από την παροχή ρεύματος σε περίπτωση έκτακτης ανάγκης.
11. Όταν τοποθετείτε τη συσκευή, βεβαιωθείτε ότι το καλώδιο ρεύματος δεν έχει παγιδευτεί και δεν έχει υποστεί ζημιά.
12. Μην τοποθετείτε πολλαπλά φορητά πολύπριζα ή τροφοδοτικά στο πίσω μέρος της συσκευής.
13. Αυτή η συσκευή προορίζεται για οικιακή χρήση και για άλλες παρόμοιες χρήσεις όπως:
 - χρήση σε χώρους κουζίνας προσωπικού καταστημάτων, γραφείων και σε άλλα εργασιακά περιβάλλοντα,
 - χρήση σε αγροικίες και από πελάτες σε ξενοδοχεία, μοτέλ και σε άλλα οικιστικά περιβάλλοντα,

Πληροφορίες για την ασφάλεια

- χρήση σε περιβάλλοντα τύπου πανσιόν,
 - χρήση για επισιτισμό και άλλες παρόμοιες χρήσεις που δεν σχετίζονται με τη λιανική πώληση.
14. Διατηρείτε τα ανοίγματα εξαερισμού, στο περίβλημα της συσκευής ή στην ενσωματωμένη βάση της, ελεύθερα από εμπόδια.
 15. Μη χρησιμοποιείτε μηχανικές συσκευές ή οποιοδήποτε άλλο μέσο, εκτός από εκείνα που συνιστά ο κατασκευαστής, για να επιταχύνετε τη διαδικασία απόψυξης.
 16. Μη χρησιμοποιείτε ηλεκτρικές συσκευές μέσα στους θαλάμους φύλαξης τροφίμων της συσκευής, εκτός αν πρόκειται για τύπος συσκευής που συνιστάται από τον κατασκευαστή.
 17. Μην αποθηκεύετε πτητικά ή εύφλεκτα αντικείμενα ή ουσίες στο ψυγείο.
 - Αυτό το ψυγείο προορίζεται αποκλειστικά για τη φύλαξη τροφίμων.
 - Ενδέχεται να προκληθεί πυρκαγιά ή έκρηξη.
 18. Μην αποθηκεύετε εκρηκτικά υλικά, όπως δοχεία αεροζόλ με εύφλεκτες προωθητικές ουσίες, σε αυτή τη συσκευή.
 19. Για πιο αποδοτική χρήση ενέργειας, να αφήνετε όλα τα εσωτερικά εξαρτήματα όπως καλάθια, συρτάρια και ράφια στη θέση που προβλέπεται από τον κατασκευαστή.
 20. Συνδέετε μόνο με παροχή πόσιμου νερού. (μόνο για τα κατάλληλα μοντέλα)
 21. Γεμίζετε μόνο με πόσιμο νερό. (μόνο για τα κατάλληλα μοντέλα)
 - Γεμίζετε το δοχείο νερού, τον δίσκο πάγου και τις παγοθήκες μόνο με πόσιμο νερό (μεταλλικό ή απιονισμένο νερό).
 - Μη γεμίζετε το δοχείο με τσάι, χυμό ή ενεργειακό ποτό, καθώς ενδέχεται να προκληθεί ζημιά στο ψυγείο.
 22. Χρησιμοποιήστε τα νέα σετ εύκαμπτων σωλήνων που παρέχονται με τη συσκευή και μην επαναχρησιμοποιήσετε τα παλιά σετ εύκαμπτων σωλήνων.
 23. Συνδέετε μόνο στην παροχή πόσιμου νερού. Απαιτείται πίεση νερού 206-861 kPa (30-125 psi) για τη σωστή λειτουργία.
 24. Αν το προϊόν διαθέτει λυχνίες LED, επικοινωνήστε με το τοπικό επισκευαστικό κέντρο της Samsung ή τους αντιπροσώπους σέρβις της για να αντικαταστήσετε τις λυχνίες.
 25. Για την αποτροπή της μόλυνσης των τροφίμων, να εφαρμόζετε τις παρακάτω οδηγίες:

-
- Το άνοιγμα της πόρτας για μεγάλα χρονικά διαστήματα μπορεί να προκαλέσει σημαντική αύξηση της θερμοκρασίας στους θαλάμους της συσκευής.
 - Καθαρίζετε τακτικά τις επιφάνειες που μπορούν να έρθουν σε επαφή με τρόφιμα, καθώς και τα προσβάσιμα συστήματα αποστράγγισης.
 - Καθαρίζετε τα δοχεία νερού, αν δεν έχουν χρησιμοποιηθεί επί 48 ώρες. Αν δεν έχει γίνει άντληση νερού επί 5 ημέρες, εκπλύνετε το σύστημα νερού συνδεδεμένο με μια παροχή νερού.
 - Φυλάσσετε το ωμό κρέας και ψάρι σε κατάλληλα δοχεία στο ψυγείο, έτσι ώστε να μην έρχονται σε επαφή και να μη στάζουν επάνω σε άλλα τρόφιμα.
 - Οι θάλαμοι κατεψυγμένων τροφίμων δύο αστέρων είναι κατάλληλοι για τη φύλαξη προκατεψυγμένων τροφίμων, για τη φύλαξη ή την παρασκευή παγωτού και για την παρασκευή παγακιών.
 - Οι θάλαμοι ενός, δύο και τριών αστέρων δεν είναι κατάλληλοι για την καταψυξη φρέσκων τροφίμων.
 - Αν η συσκευή ψυγείου θα παραμείνει άδεια για μεγάλο χρονικό διάστημα, απενεργοποιήστε την, κάντε απόψυξη, καθαρίστε την, στεγνώστε την και αφήστε την πόρτα ανοιχτή, έτσι ώστε να αποτραπεί η δημιουργία μούχλας μέσα στη συσκευή.
- 26.** Η θερμοκρασία στους χώρους με τα δύο αστέρια ή στους θαλάμους με το σύμβολο των δύο αστεριών (❄❄) είναι ελαφρώς υψηλότερη από εκείνη στους άλλους θαλάμους του καταψύκτη.
- 27.** Για να αποφύγετε τυχόν κίνδυνο λόγω αστάθειας της συσκευής, πρέπει να τη στερεώσετε σύμφωνα με τις οδηγίες.

Πληροφορίες για την ασφάλεια

Εγκατάσταση

- Αυτή η συσκευή θα πρέπει να μεταφέρεται μόνο από δύο ή περισσότερα άτομα που την κρατούν σταθερά.
- Εγκαταστήστε τη συσκευή σε γερό και επίπεδο δάπεδο.
- Μην εγκαθιστάτε τη συσκευή σε χώρο με υγρασία και σκόνη. Μην εγκαθιστάτε και μη φυλάσσετε τη συσκευή σε κανέναν εξωτερικό χώρο ή σε οποιονδήποτε χώρο που επηρεάζεται από τις καιρικές συνθήκες, όπως άμεσο ηλιακό φως, άνεμος, βροχή ή θερμοκρασίες κάτω από το μηδέν.
- Μην τοποθετείτε τη συσκευή κάπου όπου εκτίθεται σε άμεσο ηλιακό φως ή στη θερμότητα από συσκευές θέρμανσης, όπως σόμμες ή καλοριφέρ.
- Προσέχετε να μην προκαλέσετε ζημιά στο πίσω μέρος της συσκευής κατά την εγκατάσταση.
- Εγκαταστήστε τη συσκευή σε ένα σημείο όπου είναι εύκολη η αποσύνδεση του φινιρ ρεύματος της συσκευής.
- Προσέχετε να μη σας πείσει η πόρτα της συσκευής κατά τη συναρμολόγηση ή την αποσυναρμολόγηση.
- Προσέχετε να μη μαγκώσετε, να μη συνθλίψετε και να μην προκαλέσετε ζημιά στο καλώδιο ρεύματος κατά τη συναρμολόγηση ή την αποσυναρμολόγηση της πόρτας του ψυγείου.
- Προσέχετε να μη στρέψετε το φινιρ ρεύματος προς τα πάνω και μην αφήσετε τη συσκευή να ακουμπήσει επάνω στο φινιρ ρεύματος.
- Μη συνδέετε προσαρμογέα πρίζας ή άλλα εξαρτήματα στο φινιρ ρεύματος.
- Μην τροποποιείτε και μην επεκτείνετε το καλώδιο ρεύματος.
- Βεβαιωθείτε ότι η πρίζα είναι γειωμένη σωστά, καθώς και ότι η ακίδα γείωσης του καλώδιου ρεύματος δεν έχει υποστεί ζημιά και δεν έχει αφαιρεθεί από το φινιρ ρεύματος. Για περισσότερες λεπτομέρειες σχετικά με τη γείωση, επικοινωνήστε με το επισκευαστικό κέντρο της Samsung Electronics.
- Αυτή η συσκευή διαθέτει ένα καλώδιο ρεύματος με αγωγό γείωσης εξοπλισμού και γειωμένο φινιρ ρεύματος. Το φινιρ ρεύματος πρέπει να συνδέεται σε μια κατάλληλη πρίζα που είναι εγκατεστημένη και γειωμένη σύμφωνα με όλους τους τοπικούς κώδικες και τα διατάγματα.
- Μη θέτετε ποτέ σε λειτουργία μια συσκευή που παρουσιάζει οποιαδήποτε ένδειξη ζημιάς. Αν έχετε αμφιβολίες, συμβουλευτείτε τον τοπικό αντιπρόσωπο.
- Μη συνδέετε ποτέ τη συσκευή σε ένα πολύπριζο που δεν διαθέτει καλώδιο ρεύματος (επιτοίχιο).
- Η συσκευή θα πρέπει να συνδέεται σε μια αποκλειστική γραμμή τροφοδοσίας με ξεχωριστή ασφάλεια.
- Μη χρησιμοποιείτε ένα (φορητό) πολύπριζο που δεν έχει κατάλληλη γείωση. Σε περίπτωση που χρησιμοποιήσετε ένα (φορητό) πολύπριζο με κατάλληλη γείωση, χρησιμοποιήστε κάποιο πολύπριζο που έχει δυναμικότητα μεταφοράς ρεύματος μεγαλύτερη ή ίση με την ονομαστική τιμή του καλώδιου ρεύματος και χρησιμοποιήστε το πολύπριζο μόνο για τη συσκευή.
- Απορρίψτε όλα τα υλικά συσκευασίας (όπως πλαστικές σακούλες και αφρώδες πολυστυρένιο) μακριά από παιδιά. Τα υλικά συσκευασίας μπορούν να προκαλέσουν ασφυξία.

Λειτουργία

ΠΡΟΣΟΧΗ

Για να μειώσετε τον κίνδυνο ελαφρού τραυματισμού, δυσλειτουργίας, ζημιάς στο προϊόν ή υλικών ζημιών κατά τη χρήση αυτού του προϊόντος, τηρήστε βασικές προφυλάξεις, συμπεριλαμβανομένων των εξής:

- Προσέχετε αν υπάρχουν παιδιά κοντά σας όταν ανοίγετε ή κλείνετε την πόρτα της συσκευής. Η πόρτα μπορεί να χτυπήσει το παιδί και να προκαλέσει τραυματισμό.
- Να είστε προσεκτικοί, γιατί υπάρχει κίνδυνος να παγιδευτούν παιδιά στο εσωτερικό της συσκευής. Αν ένα παιδί παγιδευτεί στο εσωτερικό της συσκευής, μπορεί να πάθει ασφυξία. Μην αγγίζετε παγωμένα τρόφιμα ή τα μεταλλικά μέρη στον θάλαμο καταψύκτη με βρεγμένα ή υγρά χέρια. Ενδέχεται να προκληθεί κρουστικό τραυματισμό.
- Μην τοποθετείτε γυάλινα δοχεία, μπουκάλια ή κουτάκια αναψυκτικών (ειδικά αυτά που περιέχουν ανθρακούχα ποτά) στον θάλαμο καταψύκτη, στα ράφια του καταψύκτη ή στο δοχείο πάγου, καθώς θα εκτεθούν σε θερμοκρασίες κάτω από το μηδέν.
- Το γυαλί ασφαλείας στην μπροστινή πλευρά της πόρτας του ψυγείου ή στα ράφια μπορεί να υποστεί ζημιά από κρούση. Αν σπάσει, μην το αγγίζετε με τα χέρια σας.
- Μην κρέμσετε από τις πόρτες, τον χώρο αποθήκευσης ή τα ράφια της συσκευής και μη σκρφαλώνετε πάνω τους.
- Μη φυλάσσετε υπερβολικό αριθμό μπουκαλιών νερού ή δοχείων για ορεκτικά στα καλάθια της πόρτας.
- Μην ανοίγετε και μην κλείνετε την πόρτα της συσκευής με υπερβολική δύναμη.
- Αν ο μενετεσός στην πόρτα της συσκευής έχει υποστεί ζημιά ή δεν λειτουργεί σωστά, σταματήστε να χρησιμοποιείτε τη συσκευή και επικοινωνήστε με ένα εξουσιοδοτημένο επισκευαστικό κέντρο.
- Μην αφήνετε ζώα να δαγκώνουν το καλώδιο ρεύματος ή τον εύκαμπτο σωλήνα νερού.
- Ποτέ μην τρώτε κατεψυγμένα τρόφιμα αμέσως μόλις τα αφαιρέσετε από τον θάλαμο καταψύκτη.
- Φροντίστε να μην πιαστεί το χέρι ή το πόδι σας όταν ανοίγετε ή κλείνετε την πόρτα ή το συρτάρι της συσκευής.

Συντήρηση

- Μην καθαρίζετε τα γυάλινα ράφια ή τα καλύμματα με ζεστό νερό όταν είναι κρύα. Ενδέχεται να σπάσουν αν εκτεθούν σε απότομες αλλαγές θερμοκρασίας.
- Μην τοποθετείτε τα ράφια ανάποδα. Τα ράφια ενδέχεται να πέσουν.
- Για να απομακρύνετε πάγο από τη συσκευή, επικοινωνήστε με το επισκευαστικό κέντρο της Samsung Electronics.
- Απορρίψτε τον πάγο που υπάρχει μέσα στον κάδο πάγου του θαλάμου καταψύκτη σε περίπτωση παρατεταμένης διακοπής ρεύματος.

Δήλωση συμμόρφωσης

Δια της παρούσης, η Samsung δηλώνει ότι αυτός ο ραδιοεξοπλισμός συμμορφώνεται με την Οδηγία 2014/53/EE και με τις σχετικές νομικές απαιτήσεις στο Ηνωμένο Βασίλειο.

Το πλήρες κείμενο της δήλωσης συμμόρφωσης ΕΕ και της δήλωσης συμμόρφωσης Ηνωμένου Βασιλείου είναι διαθέσιμο στην ακόλουθη διαδικτυακή διεύθυνση: Μπορείτε να βρείτε την επίσημη Δήλωση συμμόρφωσης στη διαδικτυακή τοποθεσία <http://www.samsung.com>. Μεταβείτε στο μενού Υποστήριξη > αναζητήστε υποστήριξη για το προϊόν σας και εισαγάγετε το όνομα του μοντέλου.

! ΠΡΟΣΟΧΗ (Ισχύει μόνο για τον τύπο Family Hub)

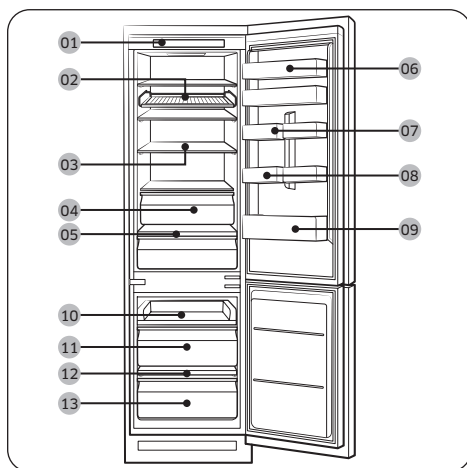
Η λειτουργία WLAN 5 GHz αυτού του εξοπλισμού μπορεί να χρησιμοποιηθεί μόνο σε εσωτερικό χώρο. Αυτός ο εξοπλισμός μπορεί να χρησιμοποιηθεί σε όλες τις χώρες της ΕΕ και στο Ηνωμένο Βασίλειο.

	Εύρος συχνοτήτων	Ισχύς πομπού (μέγιστη)
Wi-Fi	2412 - 2472 MHz	20 dBm
	5120 - 5250 MHz	23 dBm
	5250 - 5350 MHz	20 dBm
	5470 - 5725 MHz	27 dBm
Bluetooth	2402 - 2480 MHz	20 dBm

Εγκατάσταση

Επισκόπηση του ψυγείου

Η πραγματική εμφάνιση και τα παρεχόμενα εξαρτήματα του ψυγείου ενδέχεται να διαφέρουν από τις εικόνες σε αυτό το εγχειρίδιο, ανάλογα με το μοντέλο και τη χώρα.



- 01 Πίνακας ελέγχου
- 02 Ράφι κρασιών*
- 03 Ράφι ψυγείου*
- 04 Συρτάρι ψυγείου*
- 05 Ράφι λαχανικών*
- 06 Επάνω ράφι πόρτας*
- 07 Ράφι πόρτας πολλαπλής χρήσης
- 08 Δίσκος για αβγά*
- 09 Ράφι πόρτας ψυγείου
- 10 Συρόμενο ράφι
- 11 Μεσαίο συρτάρι καταψύκτη
- 12 Ράφι καταψύκτη*
- 13 Κάτω συρτάρι καταψύκτη

* μόνο για τα κατάλληλα μοντέλα

! ΣΗΜΕΙΩΣΗ

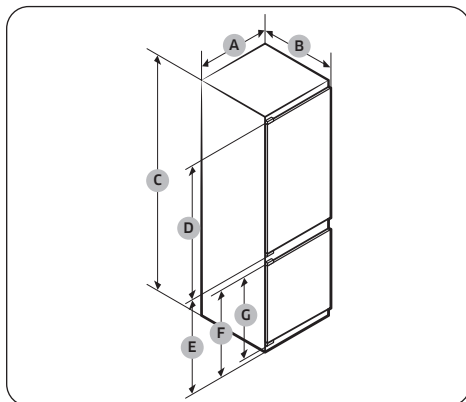
- Για την υψηλότερη δυνατή ενεργειακή απόδοση, βεβαιωθείτε ότι όλα τα ράφια, τα συρτάρια και τα καλάθια βρίσκονται στην αρχική τους θέση.
- Μόνο για τα μοντέλα που έχουν ράφι καταψύκτη:
 - Για να καταψύξετε γρήγορα μεγάλες ποσότητες τροφίμων, χρησιμοποιήστε τον καταψύκτη αφού αφαιρέσετε το κάτω συρτάρι του καταψύκτη.
 - Για να έχετε περισσότερο χώρο, μπορείτε να αφαιρέσετε το συρόμενο ράφι (10) και τα δύο συρτάρια καταψύκτη (11, 13) που βρίσκονται από κάτω του, αλλά αφήστε το ράφι καταψύκτη στο κάτω συρτάρι του καταψύκτη. Τα θερμικά και μηχανικά χαρακτηριστικά του ψυγείου δεν θα επηρεαστούν. Ο αναφερόμενος όγκος φύλαξης του θαλάμου κατεψυγμένων τροφίμων έχει υπολογιστεί μετά την αφαίρεση του ραφιού και των συρταριών του καταψύκτη.

Εγκατάσταση

Διάκενο

Για τις απαιτήσεις χώρου εγκατάστασης, ανατρέξτε στις εικόνες και τους πίνακες παρακάτω.

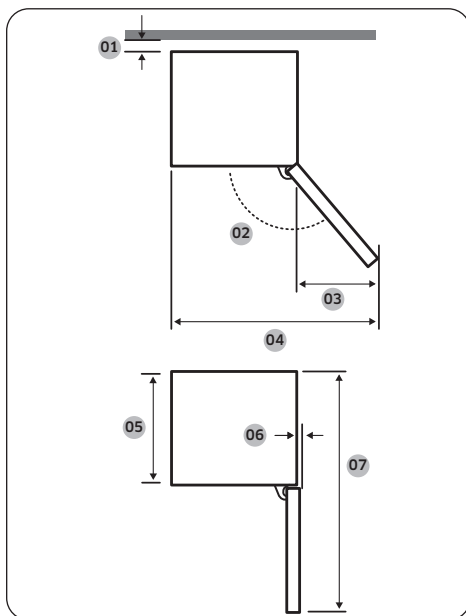
Διαστάσεις προϊόντος



	BRB***26*	BRB***30*
A	540±2	540±2
B	550±2 (με την πόρτα)	550±2 (με την πόρτα)
C	1775±2	1935±2
D	987	1147
E	735	735
F	671	671
G	621	621

(μονάδες: mm)

Συνολικές διαστάσεις προϊόντος



Μοντέλο	BRB*****S0 ΣΥΡΟΜΕΝΟΣ ΤΥΠΟΣ	BRB*****F0 ΣΤΑΘΕΡΟΣ ΤΥΠΟΣ
01*	10 (Ελάχιστο) / 30 (Συνιστώμενο)	
02	95° (Συνιστώμενο)	115° (Συνιστώμενο)
03	218	180
04	758	700
05	510	510
06	1	5
07	1055	1055

*01: Από το ντουλάπι έως το πίσω μέρος του προϊόντος.

(μονάδες: mm)

ΣΗΜΕΙΩΣΗ

- Η καθορισμένη κατανάλωση ενέργειας βασίζεται στη συνθήκη ενός κενού 10 mm ανάμεσα στο ντουλάπι και το πίσω μέρος του προϊόντος. Το προϊόν θα λειτουργεί σωστά ακόμα και με κενό που είναι μικρότερο από 10 mm, ωστόσο, θα καταναλώνει λίγο περισσότερη ενέργεια.
- Συνιστούμε τη χρήση ενός ντουλαπιού που έχει πάχος 18 mm με μεντεσέδες που έχουν πάχος μικρότερο από 20 mm.

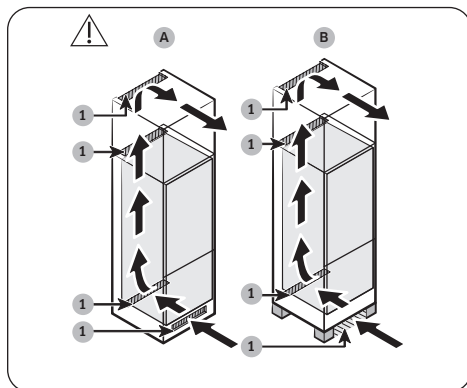
ΣΗΜΕΙΩΣΗ

- Οι μετρήσεις στον παραπάνω πίνακα ενδέχεται να διαφέρουν, ανάλογα με τη μέθοδο μέτρησης.
- Για εντοιχισμένη εγκατάσταση, ανατρέξτε στον εγχειρίδιο εγκατάστασης.

Σύστημα εξαερισμού του ντουλαπιού

Ο αέρας που εισέρχεται στο ψυγείο κυκλοφορεί κατά μήκος της διαδρομής εξαερισμού (δείτε την κατεύθυνση του βέλους) του ντουλαπιού, όπως φαίνεται στην εικόνα. Το ντουλάπι πρέπει να έχει ελεύθερο χώρο τουλάχιστον 200 cm² (ΠΧΥ: 500 mm x 40 mm) τόσο για την είσοδο αέρα όσο και για την έξοδο αέρα. Επίσης, το ντουλάπι πρέπει να έχει ένα πίσω άνοιγμα αερισμού με ελεύθερο χώρο τουλάχιστον 200 cm² (ΠΧΥ: 500 mm x 40 mm) στο κάτω μέρος της πίσω πλευράς.

Είσοδος αέρα

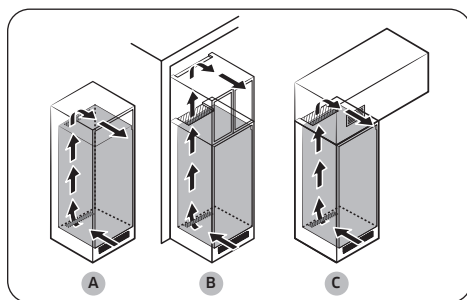


1	200 cm ²
---	---------------------

Η θέση της εισόδου αέρα πρέπει να είναι αυτή που φαίνεται στα παρακάτω παραδείγματα ή μια παρόμοια θέση, ανάλογα με τον τύπο του ντουλαπιού.

- A. Οπή εξαερισμού που περιλαμβάνεται στο ντουλάπι.
- B. Ντουλάπι με πόδια.

Έξοδος αέρα



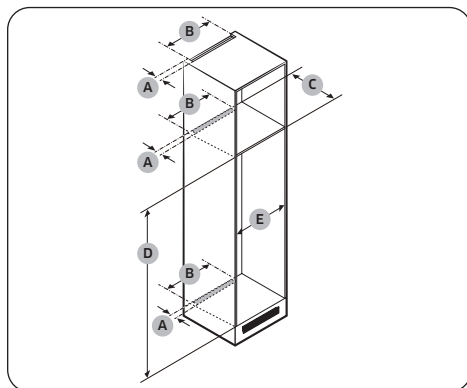
Η θέση της εξόδου αέρα πρέπει να είναι αυτή που φαίνεται στα παρακάτω παραδείγματα ή μια παρόμοια θέση, ανάλογα με τον τύπο του ντουλαπιού.

- A. Ακριβώς πάνω από το ψυγείο με προαιρετική γρίλια εξαερισμού
- B. Κοντά στην κορυφή του ντουλαπιού
- C. Πάνω από το ψυγείο με ξεχωριστό ενσωματωμένο άνοιγμα εξαερισμού

⚠ ΠΡΟΣΟΧΗ

Ανεξάρτητα από τη σχεδίαση του ντουλαπιού, το σύστημα εξαερισμού δεν πρέπει να φράζεται από κανένα είδος εγκατάστασης.

Διαστάσεις ντουλαπιού



⚠ ΠΡΟΣΟΧΗ

Αν το ντουλάπι έχει πόρτα, βεβαιωθείτε ότι η πόρτα δεν είναι βαριά, για να αποτρέψετε την πρόκληση κλίσης ή την πτώση του.

Πόρτα ντουλαπιού	Πάχος (mm)	Βάρος (kg)
Πλευρά ψυγείου	Ελάχιστο 16	Μέγιστο 18
Πλευρά καταψύκτη	Μέγιστο 19	Μέγιστο 12

Οποιαδήποτε βλάβη του προϊόντος λόγω των παρακάτω δεν καλύπτεται από την εγγύηση.

1. Ακατάλληλες συνθήκες τοποθέτησης ή εσφαλμένο μέγεθος ντουλαπιού
2. Ελαττωματικό ντουλάπι
3. Λάθη από τον τεχνικό εγκατάστασης ή τον χρήστη

Εγκατάσταση

Διάκενο

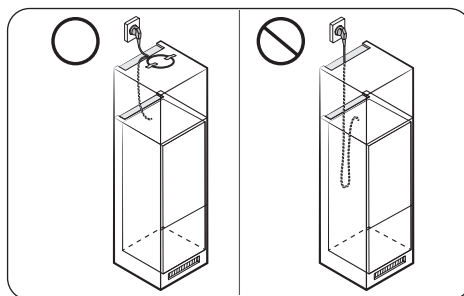
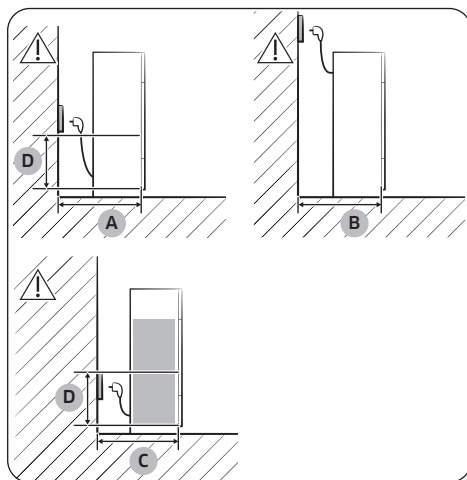
Για τις απαιτήσεις χώρου της εγκατάστασης, ανατρέξτε στις εικόνες και τους πίνακες παρακάτω.

Μοντέλο		A (mm)	B (mm)	C (mm)	D (mm)	E (mm)	Παρατήρηση
BRB***26**S0 ΣΥΡΟΜΕΝΟΣ ΤΥΠΟΣ	Ελάχιστο	40	500	560	1778	560	
	Συνιστώμενο			580	1780	562	
	Μέγιστο			-	1782	568	
BRB***26**F0 ΣΤΑΘΕΡΟΣ ΤΥΠΟΣ	Ελάχιστο			560	1778	555	Μεντεσές: 17 mm
	Συνιστώμενο			580	1780	562	
	Μέγιστο			-	1782	568	
BRB***30**S0 ΣΥΡΟΜΕΝΟΣ ΤΥΠΟΣ	Ελάχιστο	40	500	560	1938	560	
	Συνιστώμενο			580	1940	562	
	Μέγιστο			-	1942	568	
BRB***30**F0 ΣΤΑΘΕΡΟΣ ΤΥΠΟΣ	Ελάχιστο			560	1938	555	Μεντεσές: 17 mm
	Συνιστώμενο			580	1940	562	
	Μέγιστο			-	1942	568	

ΣΗΜΕΙΩΣΗ

- Αν το πλάτος ενός ντουλαπιού είναι μεγαλύτερο από 568 mm, μπορεί να χαλαρώσει το παρέμβυσμα (ανάμεσα στο ψυγείο και το ντουλάπι).
- Αν το ντουλάπι είναι ψηλότερο από τις μέγιστες διαστάσεις (1782 mm), πρέπει να χρησιμοποιήσετε άλλα υλικά επένδυσης για να γεμίσετε το κενό.

Θέση πρίζας και απαιτούμενος χώρος



A	Ελάχιστο 590
B	Ελάχιστο 560
C	Ελάχιστο 580
D	240

(μονάδες: mm)

ΣΗΜΕΙΩΣΗ

Αν εγκαταστήσετε το ψυγείο σε ένα ντουλάπι με βάθος 560 mm, φροντίστε να τακτοποιήσετε το καλώδιο ρεύματος στη μια πλευρά του ψυγείου προτού το συνδέσετε στην πρίζα. Αν το καλώδιο ρεύματος κρέμεται στο πίσω μέρος του ψυγείου, μπορεί να μειωθεί η ενεργειακή απόδοση.

Συντήρηση

Καθαρισμός

Εσωτερικό και εξωτερικό μέρος

ΠΡΕΙΔΟΠΟΙΗΣΗ

- Μη χρησιμοποιείτε βενζόλιο, διαλυτικό, ξύδι, υγρό λευκαντικό, μαγειρική σόδα, κτρικά, μείγματα αλάτων ή οικιακό απορρυπαντικό/απορρυπαντικό αυτοκινήτου όπως το Clorox™ για σκοπούς καθαρισμού. Ενδέχεται να προκαλέσουν ζημιά στην επιφάνεια του ψυγείου, καθώς και πυρκαγιά.
- Μην ψεκάζετε νερό επάνω στο ψυγείο. Ενδέχεται να προκληθεί ηλεκτροπληξία.

Χρησιμοποιείτε τακτικά ένα στεγνό πανί για να απομακρύνετε όλα τα ξένα σώματα, όπως σκόνη ή νερό, από τους ακροδέκτες και τα σημεία επαφής του φινιρισμού.

- Αποσυνδέστε το καλώδιο ρεύματος.
- Χρησιμοποιήστε ένα βρεγμένο μαλακό πανί που δεν αφήνει χνούδι ή μια χαρτοπετσέτα για να καθαρίσετε το εσωτερικό και το εξωτερικό μέρος του ψυγείου.
- Όταν τελειώσετε, χρησιμοποιήστε ένα στεγνό πανί ή μια χαρτοπετσέτα για να το στεγνώσετε καλά.
- Συνδέστε το καλώδιο ρεύματος.

Λυχνίες LED

Για να αντικαταστήσετε τις λυχνίες του ψυγείου, επικοινωνήστε με το τοπικό επισκευαστικό κέντρο της Samsung.

ΠΡΕΙΔΟΠΟΙΗΣΗ

Οι λυχνίες δεν μπορούν να επισκευαστούν από τον χρήστη. Μη επιχειρήσετε να αντικαταστήσετε μόνοι σας κάποια λυχνία. Μπορεί να προκληθεί ηλεκτροπληξία.

Λυχνία (πηγή φωτός)

Αυτό το προϊόν περιέχει μια πηγή φωτός κατηγορίας ενεργειακής απόδοσης <G>.

Οι λυχνίες ή/και οι διατάξεις ελέγχου δεν μπορούν να επισκευαστούν από τον χρήστη. Για να αντικαταστήσετε τις λυχνίες ή/και τις διατάξεις ελέγχου του προϊόντος, επικοινωνήστε με το τοπικό επισκευαστικό κέντρο της Samsung.

Για λεπτομερείς οδηγίες σχετικά με την αντικατάσταση των λυχνιών ή των διατάξεων ελέγχου του προϊόντος σας, επισκεφτείτε τη διαδικτυακή τοποθεσία της Samsung (<http://www.samsung.com>), μεταβείτε στο μενού Υποστήριξη > Αρχική σελίδα υποστήριξης και εισαγάγετε το όνομα του μοντέλου.

Για λεπτομερείς οδηγίες σχετικά με την αποσυρμαμολόγηση των λυχνιών ή/και των διατάξεων ελέγχου, απλά ακολουθήστε τις οδηγίες αντικατάστασης που μπορείτε να βρείτε όπως περιγράφεται παραπάνω.

Παράρτημα

Πληροφορίες για το μοντέλο και την παραγγελία ανταλλακτικών

Πληροφορίες μοντέλου

Για να προσπελάσετε τις πληροφορίες ενεργειακής επισήμανσης σχετικά με αυτό το προϊόν στο Ευρωπαϊκό μητρώο προϊόντων για την ενεργειακή επισήμανση (EPREL), σαρώστε τον κωδικό QR στην ετικέτα ενεργειακής απόδοσης.

Μπορείτε να βρείτε τον κωδικό QR στην ετικέτα ενεργειακής απόδοσης που υπάρχει στη συσκευασία του προϊόντος σας.

Πληροφορίες ανταλλακτικών

- Ελάχιστο χρονικό διάστημα για το οποίο θα είναι διαθέσιμα τα ανταλλακτικά που είναι απαραίτητα για την επισκευή της συσκευής
 - 7 έτη για θερμοστάτες, αισθητήρες θερμοκρασίας, πλακέτες τυπωμένων κυκλωμάτων και πηγές φωτός, λαβές πόρτας, μεντεσέδες πόρτας, δίσκους, καλάθια (μεγάλα ή κανονικά συρτάρια)
 - 10 έτη για παρεμβύσματα πόρτας
- Η ελάχιστη διάρκεια της εγγύησης που προσφέρεται από τον κατασκευαστή για τη συσκευή ψυγείου είναι 24 μήνες.

- Σχετικές πληροφορίες για την παραγγελία ανταλλακτικών, απευθείας ή μέσω άλλων καναλιών, παρέχονται από τον κατασκευαστή, τον εισαγωγέα ή τον εξουσιοδοτημένο αντιπρόσωπο.
- Μπορείτε να βρείτε πληροφορίες για επαγγελματική επίσκεψη στη διαδικτυακή τοποθεσία <http://samsung.com/support>.
- Μπορείτε να βρείτε το εγχειρίδιο σέρβις χρήστη στη διαδικτυακή τοποθεσία <http://samsung.com/support>.

Οδηγίες εγκατάστασης

Για συσκευές ψυγείου με κλιματική κατηγορία

- Ανάλογα με την κλιματική κατηγορία, αυτή η συσκευή ψυγείου προορίζεται για χρήση στο εύρος θερμοκρασίας περιβάλλοντος που καθορίζεται στον παρακάτω πίνακα.
- Μπορείτε να βρείτε την κλιματική κατηγορία στην πινακίδα τεχνικών στοιχείων. Το προϊόν ενδέχεται να μη λειτουργεί σωστά σε θερμοκρασίες εκτός του συγκεκριμένου εύρους.
- Μπορείτε να βρείτε την κλιματική κατηγορία στην ετικέτα στο εσωτερικό του ψυγείου.

Παράρτημα

Ενεργό εύρος θερμοκρασίας

Το ψυγείο έχει σχεδιαστεί ώστε να λειτουργεί κανονικά στο εύρος θερμοκρασίας που καθορίζεται από την κατηγορία του.

Κατηγορία	Σύμβολο	Εύρος θερμοκρασίας περιβάλλοντος (°C)	
		IEC 62552 (ISO 15502)	ISO 8561
Εκτεταμένη εύκρατη	SN	+10 έως +32	+10 έως +32
Εύκρατη	N	+16 έως +32	+16 έως +32
Υποτροπική	ST	+16 έως +38	+18 έως +38
Τροπική	T	+16 έως +43	+18 έως +43

ΣΗΜΕΙΩΣΗ

Η απόδοση ψύξης και η κατανάλωση ενέργειας του ψυγείου ενδέχεται να επηρεαστούν από τη θερμοκρασία περιβάλλοντος, τη συχνότητα ανοίγματος της πόρτας και τη θέση του ψυγείου. Συνιστούμε να προσαρμόσετε τις ρυθμίσεις θερμοκρασίας όπως απαιτείται.

Οδηγίες για τη θερμοκρασία

Συνιστώμενη θερμοκρασία

Βέλτιστη ρύθμιση θερμοκρασίας για τη φύλαξη τροφίμων:

- Ψυγείο: 3 °C
- Καταψύκτης: -19 °C

ΣΗΜΕΙΩΣΗ

Η βέλτιστη ρύθμιση θερμοκρασίας για κάθε θάλαμο εξαρτάται από τη θερμοκρασία περιβάλλοντος. Η παραπάνω βέλτιστη θερμοκρασία βασίζεται σε θερμοκρασία περιβάλλοντος 25 °C.

Γρήγορη ψύξη

Η λειτουργία Γρήγορη ψύξη επιταχύνει τη διαδικασία ψύξης στη μέγιστη ταχύτητα ανεμιστήρα. Το ψυγείο λειτουργεί συνεχώς σε πλήρη ισχύ για δύο μισές ώρες και, στη συνέχεια, επανέρχεται στην προηγούμενη θερμοκρασία.

Γρήγορη κατάψυξη

Η λειτουργία Γρήγορη κατάψυξη επιταχύνει τη διαδικασία κατάψυξης στη μέγιστη ταχύτητα ανεμιστήρα. Ο καταψύκτης λειτουργεί συνεχώς σε πλήρη ισχύ για 50 ώρες και, στη συνέχεια, επανέρχεται στην προηγούμενη θερμοκρασία. Για να καταψύξετε μεγάλες ποσότητες τροφίμων, ενεργοποιήστε τη λειτουργία Γρήγορη κατάψυξη επί τουλάχιστον 20 ώρες προτού τοποθετήσετε τα τρόφιμα στον καταψύκτη.

ΣΗΜΕΙΩΣΗ

Όταν χρησιμοποιείτε αυτή τη λειτουργία, η κατανάλωση ενέργειας του ψυγείου αυξάνεται. Θυμηθείτε να την απενεργοποιήσετε όταν δεν την χρειάζεστε πλέον και να επαναφέρετε τον καταψύκτη στην αρχική ρύθμιση θερμοκρασίας.



Τρόπος φύλαξης για την καλύτερη δυνατή συντήρηση (μόνο για τα κατάλληλα μοντέλα)

Σκεπάστε τα τρόφιμα για να διατηρούν την υγρασία τους και να αποτρέψετε τη μεταφορά οσμών από άλλα τρόφιμα. Μια μεγάλη κατασρόλα με φαγητό όπως σούπα ή ραγού θα πρέπει να χωρίζεται σε μικρές μερίδες και να τοποθετείται σε ρηχά δοχεία προτού ψυχθεί. Ένα μεγάλο κομμάτι κρέατος ή ολόκληρο κοτόπουλο θα πρέπει να χωρίζεται σε μικρότερα κομμάτια ή να τοποθετείται σε ρηχά δοχεία προτού ψυχθεί.

Τοποθέτηση τροφίμων

Ράφια	Τα ράφια είναι ρυθμιζόμενα για να χωρούν διάφορες συσκευασίες.
Ειδικός θάλαμος (μόνο για τα κατάλληλα μοντέλα)	Τα στεγανοποιημένα συρτάρια φρούτων και λαχανικών παρέχουν βέλτιστο περιβάλλον φύλαξης για τα φρούτα και τα λαχανικά. Τα λαχανικά απαιτούν συνθήκες υψηλότερης υγρασίας, ενώ τα φρούτα απαιτούν συνθήκες χαμηλότερης υγρασίας. Τα συρτάρια φρούτων και λαχανικών διαθέτουν συσκευές ελέγχου, για τον έλεγχο του επιπέδου υγρασίας. (*Ανάλογα με το μοντέλο και τα προαιρετικά εξαρτήματα) Το συρτάρι κρεάτων ρυθμιζόμενης θερμοκρασίας μεγιστοποιεί τον χρόνο φύλαξης των κρεάτων και των τυριών.
Φύλαξη στην πόρτα	Μη φυλάσσετε ευπαθή τρόφιμα στην πόρτα. Τα αβγά θα πρέπει να φυλάσσονται μέσα στη θήκη τους σε ένα ράφι. Η θερμοκρασία των δοχείων φύλαξης στην πόρτα παρουσιάζει μεγαλύτερες διακυμάνσεις από τη θερμοκρασία στο εσωτερικό του θαλάμου. Διατηρείτε την πόρτα κλειστή για όσο το δυνατόν περισσότερο.
Θάλαμος καταψύκτη	Μπορείτε να φυλάξετε κατεψυγμένα τρόφιμα, να παρασκευάσετε παγάκια και να καταψύξετε φρέσκα τρόφιμα στον θάλαμο του καταψύκτη.



ΣΗΜΕΙΩΣΗ

Καταψύξτε μόνο φρέσκα τρόφιμα που δεν έχουν αλλοιωθεί. Να διατηρείτε τα τρόφιμα που πρόκειται να καταψύξετε μακριά από τρόφιμα που έχουν ήδη καταψυχθεί. Για να μη χάσουν τα τρόφιμα τη γεύση τους και για να μην ξεραθούν, να τα τοποθετείτε σε αεροστεγή δοχεία.

Πίνακας χρόνου φύλαξης ψυγείου και καταψύκτη

Ο χρόνος για τον οποίο διατηρούνται φρέσκα τα τρόφιμα εξαρτάται από τη θερμοκρασία και την έκθεση σε υγρασία. Επειδή οι ημερομηνίες που αναγράφονται στα προϊόντα δεν αποτελούν οδηγό ασφαλούς χρήσης ενός προϊόντος, συμβουλευτείτε αυτόν τον πίνακα και ακολουθήστε αυτές τις συμβουλές.

Προϊόν		Ψυγείο	Καταψύκτης
Γαλακτοκομικά προϊόντα	Γάλα	1 εβδομάδα	1 μήνας
	Βούτυρο	2 εβδομάδες	12 μήνες
	Τυρί κρέμα	2 εβδομάδες	Δεν συνιστάται
Κρέας	Φρέσκο ψιτό κρέας, μπριζόλες, παιδάκια	3-4 ημέρες	2-3 μήνες
	Λουκάνικο, ωμό από χοιρινό, μοσχάρι, γαλοπούλα	1-2 ημέρες	1-2 μήνες
Πουλερικά / Αβγά	Φρέσκα πουλερικά	2 ημέρες	6-8 μήνες
	Αβγά, φρέσκα στο τσόφλι	2-4 εβδομάδες	Δεν συνιστάται
Ψάρι / Θαλασσινά	Φρέσκο ψάρι	1-2 ημέρες	3-6 μήνες
	Αποξηραμένο ή παστό ψάρι	3-4 εβδομάδες	-
Φρούτα	Μήλα	1 μήνας	-
	Άλλα φρέσκα φρούτα	3-5 ημέρες	9-12 μήνες
Λαχανικά	Σπαράγγι	2-3 ημέρες	-
	Μπρόκολο, λαχανάκια Βρυξελλών, αρακάς, μανιτάρια	3-5 ημέρες	-
	Λάχανο, κουνουπίδι, σέλινο, αγγούρι, μαρούλι	1 εβδομάδα	-
	Καρότα, παντζάρια, ραπανάκια	2 εβδομάδες	-



Παράρτημα

Οδηγίες σχετικά με την ένδειξη WEEE



Σωστή απόρριψη αυτού του προϊόντος (Απόβλητα ηλεκτρικού και ηλεκτρονικού εξοπλισμού)
(Ισχύει για χώρες με συστήματα χωριστής αποκομιδής)

Αυτή η ένδειξη επάνω στο προϊόν, στα εξαρτήματα ή στα συνοδευτικά έντυπα υποδεικνύει ότι το προϊόν και τα ηλεκτρονικά του εξαρτήματα (π.χ. φορτιστής, ακουστικά, καλώδιο USB) δεν θα πρέπει να απορρίπτονται μαζί με άλλα οικιακά απορρίμματα στο τέλος της ωφέλιμης διάρκειας ζωής τους. Για να αποτρέψετε την πιθανή βλάβη στο περιβάλλον ή στην ανθρώπινη υγεία από την ανεξέλεγκτη διάθεση απορριμμάτων, διαχωρίστε αυτά τα είδη από τους άλλους τύπους απορριμμάτων και ανακυκλώστε τα υπεύθυνα, ώστε να συμβάλλετε στη βιώσιμη επαναχρησιμοποίηση των υλικών πόρων.

Οι οικιακοί χρήστες θα πρέπει να επικοινωνήσουν είτε με τον έμπορο λιανικής από τον οποίο αγόρασαν αυτό το προϊόν είτε με το τοπικό γραφείο της αρμόδιας κρατικής υπηρεσίας, για λεπτομέρειες σχετικά με το πού και πώς μπορούν να διαθέσουν αυτά τα είδη προς περιβαλλοντικά ασφαλή ανακύκλωση.

Οι εταιρικοί χρήστες θα πρέπει να επικοινωνήσουν με τον προμηθευτή τους και να ελέγξουν τους όρους και τις προϋποθέσεις της σύμβασης αγοράς. Αυτό το προϊόν και τα ηλεκτρονικά του εξαρτήματα δεν θα πρέπει να απορρίπτονται μαζί με άλλα εμπορικά απόβλητα.

Για πληροφορίες σχετικά με τις δεσμεύσεις της Samsung αναφορικά με την προστασία του περιβάλλοντος και τις κανονιστικές υποχρεώσεις για τα προϊόντα, π.χ. τις οδηγίες REACH, WEEE και τις οδηγίες σχετικά με τις μπαταρίες, επισκεφτείτε τη σελίδα μας σχετικά με την αειφορία στη διαδικτυακή τοποθεσία www.samsung.com

(Μόνο για προϊόντα που πωλούνται σε ευρωπαϊκές χώρες και στο Ηνωμένο Βασίλειο)

Kühl-/Gefrierkombination

Einbaugerät

Einfaches Benutzerhandbuch

- Ausführliche Anweisungen zur Installation und Reinigung der Geräte finden Sie auf der Samsung-Website (<http://www.samsung.com>), gehen Sie zu Support > Support-Startseite, und geben Sie dann die Modellbezeichnung ein.
- Die Modellbezeichnung des Geräts finden Sie auf dem Etikett, das dem Gerät beiliegt oder auf dem Gerät angebracht ist.
- Öffnen Sie eine QR-Code-Scanner-App und scannen Sie den QR-Code auf dem Gerät. Sie können auf „Geräteregistrierung“, „Handbuch“ und „Kundendienst“ zugreifen.
- Die Abbildungen und Illustrationen werden nur zu Referenzzwecken bereitgestellt und können vom tatsächlichen Aussehen des Geräts abweichen. Das Design und die technischen Daten des Geräts können sich ohne vorherige Ankündigung ändern.



Scannen Sie dies mit
Ihrem Telefon.

Sicherheitsinformationen

- Herzlichen Glückwunsch zu Ihren neuen Samsung-Geräten. Dieses Handbuch enthält wichtige Informationen bezüglich des Anschlusses, der Verwendung und der Pflege Ihres neuen Geräts. Lesen Sie dieses Handbuch gründlich durch, bevor Sie das Gerät benutzen, damit Sie wissen, wie Sie die Funktionen Ihres neuen Geräts sicher und effizient nutzen können.

Wichtige Symbole für Sicherheitshinweise

Bedeutung der Symbole und Zeichen in diesem Benutzerhandbuch:



WARNUNG

Gefährliche bzw. unsichere Praktiken, die zu **schweren Verletzungen, Tod und/oder Sachschäden** führen können.



VORSICHT

Gefährliche bzw. unsichere Praktiken, die zu **schweren Verletzungen und/oder Sachschäden** führen können.



Lesen Sie die Anweisungen

Lesen Sie dieses Handbuch aufmerksam durch, und bewahren Sie es zum späteren Nachschlagen an einem sicheren Ort auf.

Lesen Sie vor der Verwendung des Geräts alle Anweisungen.



HINWEIS

Ergänzende Informationen, die nützlich sein könnten

Sicherheitsinformationen

WARNUNG

Die Nichtbeachtung der Anweisungen kann zu einem Stromschlag, Verletzungen, Feuer, einem Defekt oder einer Explosion führen.

Wichtige Sicherheitshinweise



WARNUNG: Feuergefahr / brennbare Materialien

1. Dieses Gerät ist nicht zum Gebrauch durch Personen (auch Kinder) mit verminderten körperlichen, sensorischen oder geistigen Fähigkeiten oder einem Mangel an Erfahrung und Wissen bestimmt. Von dieser Regel darf nur abgewichen werden, wenn diese Personen unter Aufsicht stehen oder durch eine für ihre Sicherheit verantwortliche Person eine Unterweisung zur Bedienung des Geräts erhalten haben.
2. **Für die Verwendung in Europa:** Dieses Gerät darf von Kindern ab 8 Jahren und Personen mit verminderten körperlichen, sensorischen oder geistigen Fähigkeiten oder einem Mangel an Erfahrung und Wissen nur bedient werden, wenn sie unter Aufsicht stehen oder eine Unterweisung zum sicheren Umgang mit dem Gerät erhalten haben und die damit verbundenen Gefahren verstehen. Kinder dürfen nicht mit dem Gerät spielen. Kinder dürfen bei Reinigung und Wartung nur dann helfen, wenn sie dabei beaufsichtigt werden. Kinder im Alter von 3 bis 8 Jahren dürfen Kühlgeräte ein- und ausräumen.
3. Kinder müssen beaufsichtigt werden, um zu verhindern, dass sie mit dem Gerät spielen.
4. Wenn das Netzkabel beschädigt ist, muss es durch den Hersteller, seinen Kundendienst oder ähnlich qualifizierte Personen ersetzt werden, um eine Gefährdung zu vermeiden.
5. Dieses Gerät enthält eine geringe Menge des brennbaren Kältemittels Isobutan (R-600a). Achten Sie bei der Installation, Handhabung, Wartung und Entsorgung des Geräts darauf, dass keine Teile des Kühlkreislafs beschädigt werden.

-
6. Als Kältemittel werden R-600a oder R-134a verwendet. Sie können dem Kompressoraufkleber auf der Rückseite Ihres Geräts oder dem Typenschild im Innern des Geräts entnehmen, welches Kältemittel für Ihr Gerät verwendet wurde. Falls dieses Gerät entzündliche Gase enthält (Kältemittel R-600a), wenden Sie sich bezüglich einer sicheren Entsorgung an die örtlichen Behörden.
 7. Beschädigen Sie niemals das Kältemittelsystem.
 8. Um die Bildung eines entflammaren Gas-Luft-Gemischs bei einem Leck im Kühlkreislauf zu vermeiden, muss der Raum 1 m³ groß sein für je 8 g R-600a-Kältemittel im Gerät. Ziehen Sie bei Anzeichen von Schäden den Stecker aus der Steckdose und wenden Sie sich im Zweifelsfall an Ihren Händler.
 9. In der Isolierung wird Cyclopentan verwendet. Die im Isoliermaterial gebundenen Gase erfordern eine spezielle Entsorgung. Bitte wenden Sie sich an Ihre örtlichen Behörden für eine umweltgerechte Entsorgung.
 10. Die Steckdose muss leicht zugänglich sein, so dass das Gerät im Notfall schnell von der Stromversorgung getrennt werden kann.
 11. Achten Sie beim Aufstellen des Geräts darauf, dass das Netzkabel nicht eingeklemmt oder beschädigt wird.
 12. Stellen Sie weder Steckdosenleisten noch tragbare Stromversorgungen hinter dem Gerät auf.
 13. Dieses Gerät ist zur Verwendung im Haushalt und ähnlichen Umgebungen bestimmt, wie z. B.:
 - in Küchen oder Kantinen in Geschäften, Büros und anderen Arbeitsumgebungen;
 - durch die Gäste in Gasthäusern, Hotels, Motels und anderen Wohnumgebungen;
 - in Frühstückspensionen und ähnlichen Umgebungen;
 - in Gastronomiebetrieben und ähnlichen Bereichen außerhalb des Einzelhandels.
 14. Stellen Sie sicher, dass die Lüftungsöffnungen im Gerätegehäuse bzw. bei Einbau des Geräts nicht blockiert sind.
 15. Verwenden Sie keine anderen als die vom Hersteller empfohlenen mechanischen Vorrichtungen oder Hilfsmittel, um den Abtauvorgang zu beschleunigen.

Sicherheitsinformationen

16. Verwenden Sie keine elektrischen Geräte innerhalb des Lebensmittelabteils des Gerätes, sofern sie nicht dem durch den Hersteller empfohlenen Typ entsprechen.
17. Bewahren Sie keine flüchtigen oder brennbaren Gegenstände oder Stoffe im Gerät auf.
 - Diese Kühl-/Gefrierkombination ist ausschließlich zur Aufbewahrung von Lebensmitteln bestimmt.
 - Andernfalls besteht Brand- oder Explosionsgefahr.
18. Sehen Sie davon ab, in diesem Gerät explosive Stoffe wie Sprühdosen mit brennbaren Treibmitteln zu lagern.
19. Für eine möglichst effiziente Energienutzung wird empfohlen, alle Einsätze, wie z. B. Türfächer, Schubfächer oder Fachböden, in der vom Hersteller angegebenen Position im Gerät zu verwenden.
20. Es darf ausschließlich an eine Trinkwasserversorgung angeschlossen werden. (nur bei bestimmten Modellen)
21. Nur mit Trinkwasser füllen. (nur bei bestimmten Modellen)
 - Füllen Sie den Wassertank, das Eiswürfelfach und die Eiswürfelform nur mit Trinkwasser (Mineralwasser oder gereinigtes Wasser).
 - Füllen Sie den Wassertank nicht mit Tee, Säften oder Sportgetränken. Dies kann zu Schäden am Gerät führen.
22. Es sind die neuen mit dem Gerät gelieferten Schlauchsets zu verwenden; die alten dürfen nicht wiederverwendet werden.
23. Bitte schließen Sie das Gerät nur an die Trinkwasserversorgung an. Für den korrekten Betrieb ist ein Wasserdruck von 206–861 kPa (30–125 psi) erforderlich.
24. Wenn das Gerät mit LED-Leuchten ausgestattet ist, wenden Sie sich bitte an ein Samsung-Kundendienstzentrum oder dessen Vertreter, um die Leuchten auszutauschen.

25. Beachten Sie bitte die folgenden Anweisungen, um eine Kontamination von Lebensmitteln zu vermeiden:

- Längeres Öffnen der Tür kann zu einem deutlichen Temperaturanstieg in den Fächern des Gerätes führen.
- Reinigen Sie regelmäßig die erreichbaren Entwässerungssysteme sowie die Oberflächen, die mit Lebensmitteln in Berührung kommen können.
- Reinigen Sie die Wassertanks, wenn sie 48 Stunden lang nicht benutzt wurden und spülen Sie das an die Wasserversorgung angeschlossene Wassersystem, wenn Sie 5 Tage lang kein Wasser entnommen haben.
- Bewahren Sie rohes Fleisch und Fisch in der Kühl-/ Gefrierkombination in geeigneten Behältern auf, damit sie nicht mit anderen Lebensmitteln in Berührung kommen und keine Flüssigkeit daraus auf andere Lebensmittel tropft.
- Zwei-Sterne-Tiefkühlfächer eignen sich für die Aufbewahrung von tiefgefrorenen Lebensmitteln, für die Aufbewahrung oder Herstellung von Eiscreme und zur Herstellung von Eiswürfeln.
- Ein-, Zwei- und Drei-Sterne-Fächer sind zum Einfrieren frische Lebensmittel nicht geeignet.
- Wenn das Kühlgerät über einen längeren Zeitraum leer bleibt, empfehlen wir, es auszuschalten, abzutauen, zu reinigen, zu trocknen und die Tür offen zu lassen, um Schimmelbildung im Gerät zu verhindern.

26. Die Temperatur in mit zwei Sternen (**) gekennzeichneten Fächern oder Abteilen (**) ist geringfügig höher als die im restlichen Gefrierabteil.

27. Um eine Gefährdung durch Instabilität des Geräts zu vermeiden, muss es gemäß den Anweisungen befestigt werden.

Sicherheitsinformationen

Installation

- Dieses Gerät sollte nur von zwei oder mehr Personen transportiert werden, die das Gerät sicher halten.
- Platzieren Sie das Gerät auf einem festen und ebenen Boden.
- Platzieren Sie das Gerät nicht an einem feuchten und staubigen Ort. Platzieren oder lagern Sie das Gerät nicht im Freien oder an einem Ort, der Witterungseinflüssen wie direkter Sonneneinstrahlung, Wind, Regen oder Temperaturen unter dem Gefrierpunkt ausgesetzt ist.
- Setzen Sie das Gerät keinem direkten Sonnenlicht aus und verhindern Sie, dass es der Hitze von Heizgeräten wie Öfen oder Heizungen ausgesetzt wird.
- Achten Sie darauf, dass die Rückseite des Geräts bei der Installation nicht freiliegt.
- Stellen Sie das Gerät an einem Ort auf, an dem Sie den Netzstecker des Geräts leicht herausziehen können.
- Achten Sie darauf, dass die Gerätetür während der Montage oder Demontage nicht herunterfällt.
- Achten Sie darauf, dass Sie das Netzkabel beim Zusammenbau oder Ausbau der Gerätetür nicht einklemmen, quetschen oder beschädigen.
- Achten Sie darauf, den Netzstecker nicht nach oben zu halten oder das Gerät gegen den Netzstecker zu lehnen.
- Schließen Sie keinen Steckeradapter oder anderes Zubehör an den Netzstecker an.
- Verändern oder verlängern Sie das Netzkabel nicht.
- Vergewissern Sie sich, dass die Steckdose ordnungsgemäß geerdet ist und dass der Erdungsstift am Netzkabel nicht beschädigt oder vom Netzstecker entfernt ist. Für weitere Informationen zur Erdung wenden Sie sich bitte an das Kundendienstzentrum von Samsung Electronics.
- Dieses Gerät ist mit einem Netzkabel mit Erdungsleitung und einem geerdeten Netzstecker ausgestattet. Der Netzstecker muss in eine geeignete Steckdose eingesteckt werden, die gemäß allen örtlichen Vorschriften und Verordnungen installiert und geerdet ist.
- Schalten Sie das Gerät niemals ein, wenn es Anzeichen von Beschädigungen zeigt. Setzen Sie sich im Zweifelsfall mit Ihrem Händler in Verbindung.
- Schließen Sie das Gerät nicht an einen Mehrfachsteckdosen-Adapter an, der nicht über ein Stromkabel verfügt (montiert).
- Das Gerät sollte an eine eigene Stromleitung angeschlossen werden, die gesondert abgesichert ist.
- Verwenden Sie keine Mehrfachsteckdose, die nicht ordnungsgemäß geerdet ist (tragbar). Wenn Sie eine ordnungsgemäß geerdete Mehrfachsteckdose (tragbar) verwenden, verwenden Sie eine Mehrfachsteckdose mit der Stromstärke des Netzkabels oder höher und verwenden Sie die Mehrfachsteckdose nur für das Gerät.
- Entsorgen Sie alle Verpackungsmaterialien (wie Plastiktüten und Styropor) außerhalb der Reichweite von Kindern. Das Verpackungsmaterial kann zur Erstickung führen.

Betrieb

VORSICHT

Um das Risiko einer leichten Verletzung von Personen, einer Fehlfunktion oder einer Beschädigung des Geräts oder des Eigentums bei der Verwendung dieses Geräts zu verringern, befolgen Sie die folgenden grundlegenden Vorsichtsmaßnahmen, einschließlich der folgenden:

- Achten Sie auf Kinder in der Nähe, wenn Sie die Gerätetür öffnen oder schließen. Die Tür kann das Kind treffen und Verletzungen verursachen.
- Achten Sie darauf, dass sich keine Kinder im Gerät einschließen können. Ein Kind, das im Inneren des Geräts eingeschlossen ist, kann ersticken. Berühren Sie gefrorene Lebensmittel oder die Metallteile des Gefrierabteils nicht mit nassen oder feuchten Händen. Es kann Erfrierungen verursachen.
- Stellen Sie keine Glasbehälter, Flaschen oder Dosen (insbesondere solche mit kohlenensäurehaltigen Getränken) in das Gefrierabteil, die Ablagen oder das Aufbewahrungsfach, die Temperaturen unter dem Gefrierpunkt ausgesetzt sind,
- Das gehärtete Glas auf der Vorderseite der Gerätetür oder das Gerät selbst kann durch einen Aufprall beschädigt werden. Wenn es kaputt ist. Berühren Sie es nicht mit den Händen.
- Hängen Sie sich nicht an die Gerätetüren, den Abstellraum oder das Regal und klettern Sie nicht hinein.
- Stellen Sie nicht zu viele Wasserflaschen oder Behälter für Beilagen in die Türkörbe.
- Öffnen oder schließen Sie die Gerätetür nicht mit übermäßiger Kraft.
- Wenn das Scharnier der Gerätetür beschädigt ist oder nicht richtig funktioniert, verwenden Sie das Gerät nicht mehr und wenden Sie sich an ein autorisiertes Kundendienstzentrum.
- Verhindern Sie, dass Tiere das Stromkabel oder den Wasserschlauch anknabbern.
- Verzehren Sie niemals tiefgefrorene Lebensmittel unmittelbar nach der Entnahme aus dem Gefrierabteil.
- Achten Sie darauf, dass Sie sich beim Öffnen oder Schließen der Gerätetür oder der Tür in der Tür keine Hände oder Füße einklemmen.

Instandhaltung

- Reinigen Sie die Glaseinlegeböden oder Abdeckungen nicht mit heißem Wasser, solange diese kalt sind. Sie können zerbrechen, wenn sie plötzlichen Temperaturschwankungen ausgesetzt werden.
- Setzen Sie die Fachböden nicht verkehrt herum ein. Die Fachböden könnten herunterfallen.
- Um das Gerät von Frost zu befreien, wenden Sie sich an das Kundendienstzentrum von Samsung Electronics.
- Entfernen Sie bei einem längeren Stromausfall das Eis im Aufbewahrungsfach im Gefrierabteil.

Konformitätshinweise

Hiermit erklärt Samsung, dass dieses Funkgerät den Bestimmungen der Richtlinie 2014/53/EU und den entsprechenden gesetzlichen Vorschriften im Vereinigten Königreich entspricht.

Der vollständige Wortlaut der Konformitätserklärungen für die EU und das Vereinigte Königreich ist unter der folgenden Internetadresse verfügbar: Die offizielle Konformitätserklärung finden Sie unter <http://www.samsung.com>. Wechseln Sie zu Support > Produktsuche, und geben Sie den Modellnamen ein.

⚠ VORSICHT (Gilt nur für den Family-Hub-Typen)

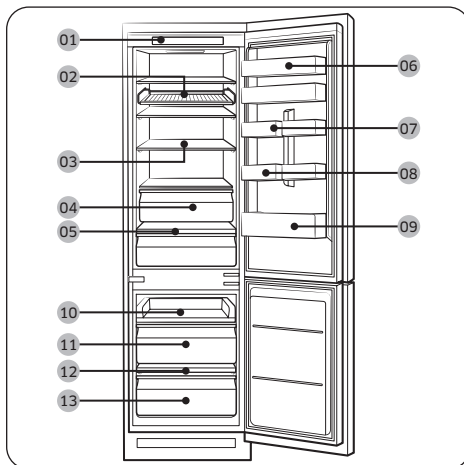
Die 5 GHz-WLAN-Funktion dieses Geräts darf nur in geschlossenen Räumen genutzt werden. Dieses Gerät darf in allen Ländern in der EU und im Vereinigten Königreich eingesetzt werden.

	Frequenzbereich	Senderleistung (Max)
WLAN	2412 – 2472 MHz	20 dBm
	5120 – 5250 MHz	23 dBm
	5250 – 5350 MHz	20 dBm
	5470 – 5725 MHz	27 dBm
Bluetooth	2402 – 2480 MHz	20 dBm

Installation

Die Kühl-/Gefrierkombination auf einen Blick

Das tatsächliche Aussehen und die mitgelieferten Zubehörteile Ihrer Kühl-/Gefrierkombination können sich je nach Modell und Land von den Abbildungen in diesem Handbuch unterscheiden.



- 01 Bedienfeld
- 02 Weinregal *
- 03 Fachboden im Kühlabteil*
- 04 Schubfach im Kühlabteil*
- 05 Fachboden für Gemüse*
- 06 Oberstes Türfach*
- 07 Mehrzwecktürfach
- 08 Eiereinsatz*
- 09 Türfach im Kühlabteil
- 10 Auszugboden
- 11 Mittleres Schubfach im Gefrierabteil
- 12 Zwischenboden*
- 13 Unteres Schubfach im Gefrierabteil

* Nur bestimmte Modelle

📖 HINWEIS

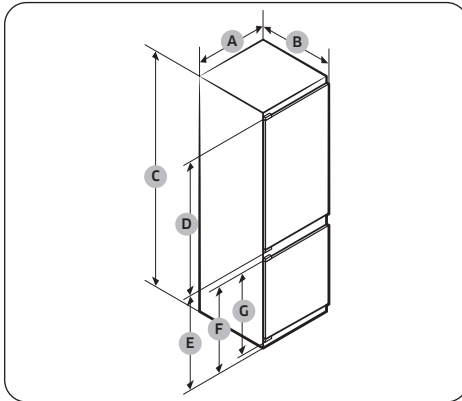
- Für beste Energieeffizienz müssen alle Böden, Schubfächer und Körbe wieder in ihre ursprüngliche Position gebracht werden.
- Nur für Modelle, die eine Zwischenboden haben:
 - Verwenden Sie zum schnellen Einfrieren größerer Mengen von Lebensmitteln das Gefrierabteil, nachdem Sie dessen unteres Schubfach entfernt haben.
 - Um mehr Platz zu schaffen, können Sie den Auszugboden (10) und die beiden darunter befindlichen Schubfächer im Gefrierabteil (11, 13) herausnehmen, jedoch den Zwischenboden auf dem unteren Schubfach des Gefrierabteils an Ort und Stelle lassen. Sie haben keinen Einfluss auf die thermischen und mechanischen Eigenschaften. Das angegebene Volumen des Gefrierabteils wurde ohne diesen Boden und die Schubfächer berechnet.

Installation

Abstand

Informationen zum Platzbedarf für die Installation erhalten Sie in den folgenden Abbildungen und Tabellen.

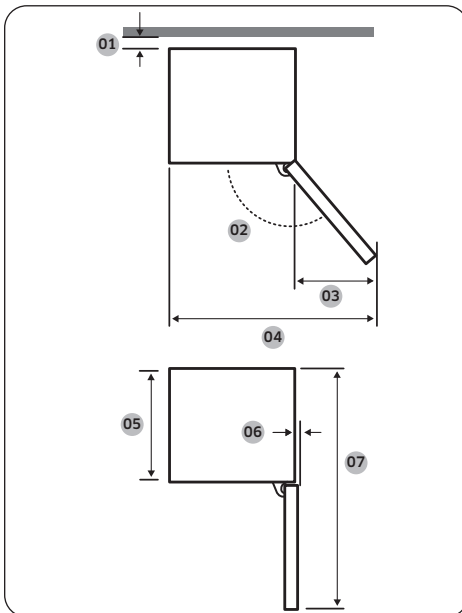
Abmessungen des Geräts



	BRB***26*	BRB***30*
A	540±2	540±2
B	550±2 (mit Tür)	550±2 (mit Tür)
C	1775±2	1935±2
D	987	1147
E	735	735
F	671	671
G	621	621

(Einheit: mm)

Gesamtabmessungen des Geräts



Modell	BRB*****S0 SCHIEBEAUSFÜHRUNG	BRB*****F0 FESTSTEHENDE AUSFÜHRUNG
01*	10 (Min.) / 30 (Empfohlen)	
02	95° (Empfohlen)	115° (Empfohlen)
03	218	180
04	758	700
05	510	510
06	1	5
07	1055	1055

* 01: Vom Schrank bis zur Rückseite des Geräts.

(Einheit: mm)

HINWEIS

- Für den angegebenen Energieverbrauch wird davon ausgegangen, dass ein Abstand von 10 mm zwischen dem Schrank und der Rückseite des Geräts eingehalten wird. Das Gerät funktioniert auch bei einem Abstand von weniger als 10 mm einwandfrei, verbraucht dann jedoch etwas mehr Energie.
- Wir empfehlen die Verwendung eines Schrankes mit 18 mm starken Wänden und Scharnieren mit weniger als 20 mm Stärke.

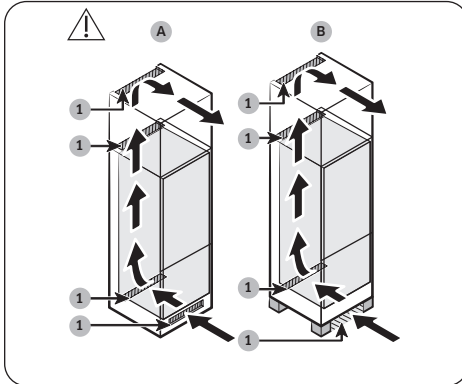
HINWEIS

- Die Abmessungen können je nach Messverfahren von den Werten der obigen Tabelle abweichen.
- Informationen zur Aufstellung als Einbaugerät erhalten Sie im Installationshandbuch.

Entlüftungssystem des Schrankes

Die in die Kühl-/Gefrierkombination eintretende Luft zirkuliert wie in der Abbildung dargestellt entlang dem Lüftungsweg (siehe Pfeilrichtung) des Schrankes. Der Schrank muss über eine Öffnung von mindestens 200 cm² (B x H: 500 mm x 40 mm) für den Lufteinlass wie auch für den Luftauslass verfügen. Außerdem muss der Schrank hinten eine Öffnung von mindestens 200 cm² (B x H: 500 mm x 40 mm) im unteren hinteren Bereich der Rückwand aufweisen.

Lufteinlass

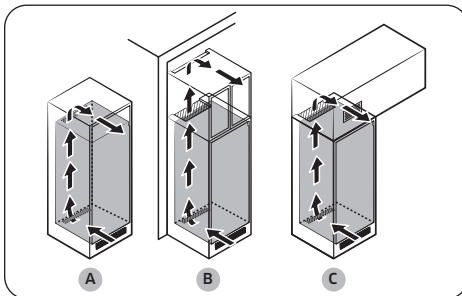


1	200 cm ²
---	---------------------

Der Lufteinlass muss je nach Art des Schrankes so wie in einem der folgenden Beispiele oder in einer ähnlichen Position angeordnet werden.

- A. Eine Lüftungsöffnung ist im Schrank enthalten.
- B. Ein Schrank mit Füßen.

Luftauslass



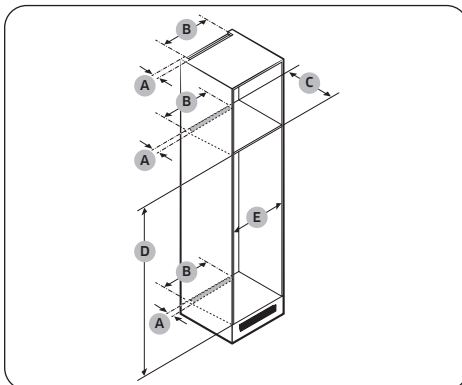
Der Luftauslass muss je nach Art des Schrankes so wie in einem der folgenden Beispiele oder in einer ähnlichen Position angeordnet werden.

- A. Unmittelbar über der Kühl-/Gefrierkombination, optional mit Lüftungsgitter
- B. Nahe am Oberboden des Schrankes
- C. Über der Kühl-/Gefrierkombination, mit einer separat eingebauten Öffnung

⚠ VORSICHT

Unabhängig von der Schrankkonstruktion darf das Belüftungssystem durch keinerlei Art von Installation versperrt werden.

Maße des Schrankes



⚠ VORSICHT

Wenn der Schrank eine Tür hat, achten Sie darauf, dass die Tür nicht schwer ist, da sie ansonsten kippen oder abfallen könnte.

Schranktür	Dicke (mm)	Gewicht (kg)
Vor dem Kühlabteil	Min. 16	Max. 18
Am Gefrierabteil	Max. 19	Max. 12

Die im Folgenden aufgeführten Gerätestörungen werden nicht durch die Garantie abgedeckt.

1. Ungeeignete Standortbedingungen und falsche Schrankgrößen
2. Defekte Schränke
3. Fehler seitens des Installateurs oder des Anwenders

Installation

Abstand

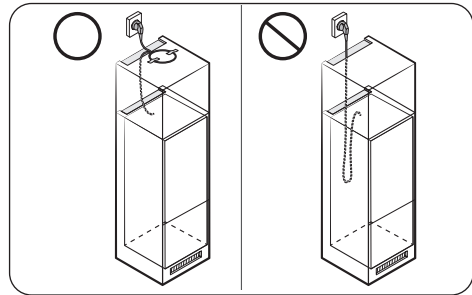
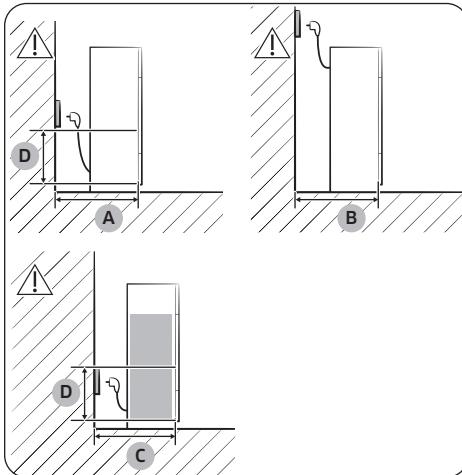
Informationen zum Platzbedarf für die Aufstellung erhalten Sie in den folgenden Bildern und Tabellen.

Modell		A (mm)	B (mm)	C (mm)	D (mm)	E (mm)	Anmerkung
BRB***26***S0 SCHIEBEAUSFÜHRUNG	Min.	40	500	560	1778	560	
	Empfehlen			580	1780	562	
	Max.			-	1782	568	
BRB***26***F0 FESTSTEHENDE AUSFÜHRUNG	Min.	40	500	560	1778	555	Scharnier: 17 mm
	Empfehlen			580	1780	562	
	Max.			-	1782	568	
BRB***30***S0 SCHIEBEAUSFÜHRUNG	Min.	40	500	560	1938	560	
	Empfehlen			580	1940	562	
	Max.			-	1942	568	
BRB***30***F0 FESTSTEHENDE AUSFÜHRUNG	Min.	40	500	560	1938	555	Scharnier: 17 mm
	Empfehlen			580	1940	562	
	Max.			-	1942	568	

HINWEIS

- Wenn ein Schrank breiter als 568 mm ist, kann sich die Dichtung (zwischen Kühl-/Gefrierkombinationen und Schrank) lösen.
- Wenn der Schrank höher als das maximale Maß (1782 mm) ist, müssen Sie andere Materialien verwenden, um die Lücke zu füllen.

Berücksichtigung der Position der Steckdose und des Platzbedarfs



A	Min. 590
B	Min. 560
C	Min. 580
D	240

(Einheit: mm)

HINWEIS

Wenn Sie die Kühl-/Gefrierkombination in einem Schrank mit einer Tiefe von 560 mm aufstellen, achten Sie darauf, dass das Netzkabel seitlich der Kühl-/Gefrierkombination liegt, bevor Sie es in eine Steckdose stecken. Wenn das Netzkabel entlang der Rückseite der Kühl-/Gefrierkombination liegt, könnte es die Energieeffizienz verringern.

Instandhaltung

Reinigung

Innen und außen

WARNUNG

- Verwenden Sie Benzin, Verdüner, Essig, flüssige Bleichmittel, Backpulver, Zitronensäure, Salzmischungen oder Haushalts-/Autoreiniger wie Clorox™ nicht zu Reinigungszwecken. Andernfalls können Schäden an der Oberfläche der Kühl-/Gefrierkombination oder ein Brand die Folge sein.
- Sprühen Sie kein Wasser auf die Kühl-/Gefrierkombination. Andernfalls besteht die Gefahr von Stromschlägen.

Entfernen Sie eventuelle Fremdkörper (z. B. Staub oder Wasser) in regelmäßigen Abständen mit einem trockenen Tuch vom Netzstecker und von den Kontakten.

1. Ziehen Sie das Netzkabel aus der Steckdose.
2. Verwenden Sie ein angefeuchtetes, weiches, fusselfreies Tuch oder ein Papiertuch, um die Innen- und Außenflächen der Kühl-/Gefrierkombination zu reinigen.
3. Wenn Sie fertig sind, verwenden Sie ein trockenes Tuch oder ein Papiertuch, um das Gerät gründlich zu trocknen.
4. Verbinden Sie das Netzkabel mit der Steckdose.

LED-Leuchten

Um Leuchten auszutauschen, wenden Sie sich an das nächstgelegene Samsung-Kundendienstzentrum.

WARNUNG

Die Leuchten können nicht vom Benutzer gewartet werden. Versuchen Sie nicht, eine Leuchte selbst auszutauschen. Es besteht Stromschlaggefahr.

Leuchte (Lichtquelle)

Dieses Gerät enthält eine Lichtquelle der Energieeffizienzklasse <G>.

Die Leuchte(n) und/oder das/die Vorschaltgerät(e) dürfen vom Benutzer nicht gewartet werden. Um die Leuchten und/oder Vorschaltgeräte auszutauschen, wenden Sie sich an das nächstgelegene Samsung-Kundendienstzentrum.

Ausführliche Anweisungen zum Austauschen der Leucht(en) oder Vorschaltgerät(e) in Ihrem Produkt finden Sie auf der Samsung-Website (<http://www.samsung.com>). Wechseln Sie dort zu Support > Support-Startseite und geben Sie dann die Modellbezeichnung ein.

Detaillierte Anweisung zum Ausbauen der Leuchte(n) und/oder des/der Vorschaltgerät(e) finden Sie in der obigen Anweisung zum Tauschen.

Anhang

Modellinformationen und Bestellung von Ersatzteilen

Modellinformationen

Scannen Sie den QR-Code auf dem Energieaufkleber, um Informationen über dieses Produkt aus dem Europäischen Produktregister für Energiekennzeichnung (EPREL) abzurufen.

Sie finden den QR-Code auf dem Energieaufkleber in Ihrer Produktverpackung.

Angaben zu Ersatzteil

- Abgaben zum Zeitraum, während dem Ersatzteile vorgehalten werden, die für die Reparatur des Geräts erforderlich sind:
 - 7 Jahre: Thermostate, Temperaturfühler, Leiterplatten und Lichtquellen, Türgriffe, Türscharniere, Fachböden, Körbe (Kästen oder Auszüge)
 - 10 Jahre: Türdichtungen
- Die Mindestdauer der vom Hersteller geleisteten Garantie für das Kühlgerät beträgt 24 Monate.
- Relevante Informationen für die Bestellung von Ersatzteilen, sei es direkt bei Samsung oder über andere Kanäle, werden vom Hersteller, Importeur oder einem offiziellen Vertreter zur Verfügung gestellt.
- Informationen zu Reparaturfachbetrieben erhalten Sie auf <http://samsung.com/support>.
- Das Servicehandbuch für Benutzer erhalten Sie auf <http://samsung.com/support>.

Installationsanleitung

für Kühlgeräte mit Klimaklasse

- In Abhängigkeit von der Klimaklasse ist dieses Kühlgerät für den Einsatz in den in der folgenden Tabelle angegebenen Umgebungstemperaturbereichen vorgesehen.
- Die Klimaklasse ist auf dem Typenschild zu finden. Das Gerät funktioniert bei Temperaturen außerhalb des jeweiligen Bereichs möglicherweise nicht ordnungsgemäß.
- Sie können die Klimaklasse auf dem Etikett im Inneren Ihrer Kühl-/Gefrierkombination ablesen.

Anhang

Effektiver Temperaturbereich

Die Kühl-/Gefrierkombination ist so ausgelegt, dass sie im Temperaturbereich ihrer Klimaklasse normal arbeitet.

Klimaklasse	Symbol	Raumtemperaturbereich (°C)	
		IEC 62552 (ISO 15502)	ISO 8561
Kalt gemäßigt (subnormal)	SN	+10 bis +32	+10 bis +32
Warm gemäßigt (normal)	N	+16 bis +32	+16 bis +32
Subtropisch	ST	+16 bis +38	+18 bis +38
Tropisch	T	+16 bis +43	+18 bis +43

HINWEIS

Die Kühlleistung und der Energieverbrauch der Kühl-/Gefrierkombination können von der Umgebungstemperatur, der Türöffnungshäufigkeit und der Position der Kühl-/Gefrierkombination beeinflusst werden. Wir empfehlen, angemessene Temperatureinstellungen zu verwenden.

Angaben zur Temperaturh

Empfohlene Temperatur

Die optimale Temperatur für die Lagerung von Lebensmitteln:

- Kühlabteil: 3 °C
- Gefrierabteil: -19 °C

HINWEIS

Die optimale Temperatureinstellung für jedes Fach hängt von der Umgebungstemperatur ab. Die obige Optimaltemperatur ergibt sich bei einer Umgebungstemperatur von 25 °C.

Turbokühlung

Turbokühlung beschleunigt das Abkühlen bei maximaler Lüfterdrehzahl. Das Kühlabteil läuft zweieinhalb Stunden lang mit voller Leistung weiter. Danach wird das Gerät wieder mit der vorher eingestellten Temperatur betrieben.

Turbokälte

Mit Turbokälte wird das Einfrieren bei maximaler Lüfterdrehzahl beschleunigt. Das Gefrierabteil läuft 50 Stunden lang mit voller Leistung. Danach wird das Gerät wieder mit der vorher eingestellten Temperatur betrieben. Um größere Mengen an Lebensmitteln einzufrieren, aktivieren Sie für mindestens 20 Stunden, bevor Sie die Lebensmittel in das Gefrierabteil stellen.

HINWEIS

Der Energieverbrauch der Kühl-/Gefrierkombination steigt, wenn Sie diese Funktion verwenden. Denken Sie daran, diese Funktion zu deaktivieren, wenn Sie sie nicht benötigen, und betreiben Sie das Gefrierabteil mit der ursprünglichen Temperatureinstellung.

Regeln zur Lagerung mit bester Haltbarkeit (nur bei bestimmten Modellen)

Decken Sie Lebensmittel ab, um Feuchtigkeit zu speichern und zu verhindern, dass sie Gerüche von anderen Lebensmitteln aufnehmen. Ein großer Topf mit z. B. Suppe oder Eintopf sollte in kleine Portionen aufgeteilt und in flache Behälter gegeben werden, ehe sie sie kühlen. Ein großes Stück Fleisch oder Geflügel im Ganzen sollte vor dem Kühlen in kleinere Stücke zerteilt oder in flache Behälter gelegt werden.

Anordnung der Lebensmittel in der Kühl-/Gefrierkombination

Fachböden	Die Fachböden sollten verstellbar sein, damit sie eine Vielzahl von Packungsgrößen aufnehmen können.
Spezialfach (nur bei bestimmten Modellen)	Versiegelte Gemüsefächer bieten eine optimale Aufbewahrungsumgebung für Obst und Gemüse. Gemüse benötigt höhere Feuchtigkeit, während Früchte weniger Feuchtigkeit benötigen. Gemüsefächer sind mit Vorrichtungen zum Regulieren der Feuchtigkeit ausgestattet. (*je nach Modell und Zubehör) Ein Fleischschubfach mit einstellbarer Temperatur maximiert die Aufbewahrungszeit von Fleisch und Käse.
An der Türverstaut	Bewahren Sie verderblichen Lebensmittel nicht in der Tür. Eier sollten im Karton in einem Regalfach aufbewahrt werden. Die Temperatur der Türfächer in der Tür schwankt stärker als die Temperatur in der Kühl-/Gefrierkombination. Halten Sie die Tür so weit wie möglich geschlossen.
Gefrierfach	Im Gefrierfach können Sie Tiefkühlkost aufbewahren, Eiswürfel herstellen und frische Lebensmittel einfrieren.

HINWEIS

Frieren Sie nur frische, einwandfreie Lebensmittel ein. Legen Sie Lebensmittel, die Sie neu einfrieren möchten, möglichst nicht neben solche, die bereits eingefroren sind. Damit Lebensmittel nicht ihren Geschmack verlieren oder austrocknen, müssen Sie sie in luftdicht verschlossenen Behältern oder Gefrierbeuteln aufbewahren.

Tabelle zur Lagerung in Kühlabteil und Gefrierabteilen

Wie lange Lebensmittel frisch bleiben, hängt von Temperatur und der Feuchtigkeitseinwirkung ab. Da die Angaben auf dem Produkt für die sichere Verwendung eines Produkts nicht verlässlich sind, schlagen Sie in dieser Tabelle nach und befolgen Sie diese Tipps.

Produkt		Kühlabteil	Gefrierabteil
Milchprodukte	Milch	1 Woche	1 Monat
	Butter	2 Wochen	12 Monate
	Friskkäse	2 Wochen	Nicht empfehlenswert
Fleisch	Frischer Braten, Steaks, Koteletts	3-4 Tage	2-3 Monate
	Wurst, Rohes vom Schwein, Rind, Pute	1-2 Tage	1-2 Monate
Geflügel / Eier	Frisches Geflügel	2 Tage	6-8 Monate
	Eier, frisch in der Schale	2-4 Wochen	Nicht empfehlenswert
Fisch / Meeresfrüchte	Frischer Fisch	1-2 Tage	3-6 Monate
	Getrockneter oder eingelegter Fisch	3-4 Wochen	-
Obst	Äpfel	1 Monat	-
	Sonstiges Frischobst	3-5 Tage	9-12 Monate
Gemüse	Spargel	2-3 Tage	-
	Brokkoli, Rosenkohl, grüne Erbsen, Pilze	3-5 Tage	-
	Kohl, Blumenkohl, Sellerie, Gurken, Kopfsalat	1 Woche	-
	Karotten, Rüben, Radieschen	2 Wochen	-

Anhang

Hinweise zur WEEE-Kennzeichnung



Korrekte Entsorgung von Altgeräten (Elektroschrott) (Gilt für Länder mit Abfalltrennsystemen)

Die Kennzeichnung auf dem Produkt, den Zubehörteilen bzw. in der dazugehörigen Dokumentation gibt an, dass dieses Produkt und seine elektronischen Zubehörteile (z. B. Ladegerät, Kopfhörer, USB-Kabel) nach ihrer Lebensdauer nicht zusammen mit dem normalen Haushaltsmüll entsorgt werden dürfen. Entsorgen Sie dieses Gerät und die Zubehörteile bitte getrennt von anderen Abfällen, um der Umwelt bzw. der menschlichen Gesundheit nicht durch unkontrollierte Müllbeseitigung zu schaden. Helfen Sie mit, das Altgerät und die Zubehörteile fachgerecht zu entsorgen, um die nachhaltige Wiederverwertung von stofflichen Ressourcen zu fördern.

Private Benutzer wenden sich bitte an den Händler, bei dem das Produkt gekauft wurde, oder kontaktieren die zuständigen Behörden, um in Erfahrung zu bringen, wo sie das Altgerät bzw. die Zubehörteile zur umweltgerechten Entsorgung abgeben können.

Gewerbliche Benutzer wenden sich bitte an ihren Zulieferer und gehen nach den Bedingungen des Kaufvertrags vor. Dieses Gerät und seine elektronischen Zubehörteile dürfen nicht zusammen mit anderem Gewerbemüll entsorgt werden.

Weitere Informationen zu den Umweltverpflichtungen von Samsung und zu produktspezifischen gesetzlichen Pflichten (z. B. REACH, WEEE und Batterien) finden Sie unter www.samsung.com auf unseren Nachhaltigkeitsseiten.

(Nur für Produkte, die in Europa und im Vereinigten Königreich verkauft werden)

Koelkast

Inbouwapparaat

Eenvoudige gebruikershandleiding

- Voor uitgebreide instructies over installatie en reiniging van de apparaten gaat u naar de Samsung-website (<http://www.samsung.com>), naar Support > Support home, en voert u de modelnaam in.
- De modelnaam van het product kunt u vinden op het label dat is bijgesloten bij het product of op het product is bevestigd.
- Open een app om QR-codes te scannen en scan de QR-code die bij het product zit. U kunt naar 'Productregistratie', 'Handleiding' en 'Klantenservice' gaan.
- Afbeeldingen en illustraties zijn slechts ter referentie en kunnen afwijken van het daadwerkelijke uiterlijk van het product. Productontwerp en specificaties kunnen zonder voorafgaande kennisgeving worden gewijzigd.



Scan dit met uw telefoon.

Veiligheidsinformatie

- Gefeliciteerd met uw nieuwe Samsung-apparaten! Deze handleiding bevat belangrijke informatie over het installeren, gebruiken en onderhouden van uw apparaten. Lees deze handleiding goed door voordat u de apparaten in gebruik neemt, zodat u weet hoe u de functies van uw nieuwe apparaat veilig en efficiënt kunt gebruiken.

Belangrijke veiligheidssymbolen

De betekenis van de pictogrammen en symbolen in deze gebruikershandleiding:

WAARSCHUWING

Risico's of onveilige situaties die kunnen leiden tot **ernstig lichamelijk letsel, overlijden en/of schade aan eigendommen**.

LET OP

Risico's of onveilige situaties die kunnen leiden tot **lichamelijk letsel en/of schade aan eigendommen**.

Lees de instructies

Bewaar deze handleiding na het lezen op een veilige plaats voor toekomstige referentie.

Lees alle instructies door voordat u het apparaat gebruikt.

OPMERKING

Aanvullende informatie die nuttig kan zijn

Veiligheidsinformatie

WAARSCHUWING

Het niet opvolgen van de instructies kan leiden tot elektrische schokken, letsel, brand, defecten of explosies.

Belangrijke veiligheidsvoorschriften



WAARSCHUWING: brandgevaar/brandbare materialen

1. Dit apparaat is niet bedoeld voor personen (waaronder kinderen) met een verminderd fysiek, zintuiglijk of mentaal vermogen, of met onvoldoende ervaring en kennis, tenzij ze onder toezicht staan of instructies hebben gekregen met betrekking tot het gebruik van het apparaat van een persoon die verantwoordelijk is voor hun veiligheid.
2. **Voor gebruik in Europa:** Dit apparaat kan door kinderen vanaf 8 jaar en door personen met een verminderd fysiek, zintuiglijk of mentaal vermogen of gebrek aan ervaring en kennis worden gebruikt. In dat geval dient er toezicht te zijn of dienen aan deze personen instructies te zijn gegeven omtrent veilig gebruik van het apparaat en moeten deze personen begrijpen welke gevaren het gebruik met zich meebrengt. Kinderen mogen niet met het apparaat spelen. Reiniging en gebruikersonderhoud mogen niet zonder toezicht door kinderen worden uitgevoerd. Kinderen van 3 t/m 8 jaar mogen koelkasten vullen en leeghalen.
3. Kinderen mogen het apparaat uitsluitend onder toezicht gebruiken om te voorkomen dat ze ermee gaan spelen.
4. Als het netsnoer is beschadigd, moet dit door de fabrikant, een door de fabrikant aangewezen servicebedrijf of een vergelijkbaar gekwalificeerd persoon worden vervangen om schade te voorkomen.
5. Dit apparaat bevat een kleine hoeveelheid van het ontbrandbare koelmiddel isobutaan (R-600a). Bij het installeren, hanteren, onderhouden en afvoeren van het apparaat moet u ervoor zorgen dat er geen onderdelen van het koelcircuit beschadigd raken.
6. R-600a of R-134a wordt gebruikt als koelmiddel. Raadpleeg het compressorlabel achter op het apparaat of het typeplaatje binnen in de koelkast om te controleren welk koelmiddel er in uw apparaat wordt gebruikt. Als dit product brandbaar gas bevat (koelmiddel R-600a), neemt u contact op met de plaatselijke autoriteiten met betrekking tot het veilig afvoeren van dit product.

-
7. Beschadig het koelcircuit niet.
 8. Om te voorkomen dat er een ontbrandbaar gas-luchtmengsel ontstaat als er een lek in het koelcircuit ontstaat, moet de ruimte 1 m³ groot zijn voor elke 8 g R-600a koelmiddel in het apparaat. Haal ook de stekker van het apparaat uit het stopcontact bij enig teken van beschadiging en neem contact op met uw dealer in geval van twijfel.
 9. Cyclopentaan wordt gebruikt in de isolatie. De gassen in het isolatiemateriaal vereisen een speciale verwijderingsprocedure. Neem contact op met de plaatselijke autoriteiten met betrekking tot het milieuvriendelijk afvoeren.
 10. Zorg dat het stopcontact goed toegankelijk is zodat u de stekker van het apparaat snel kunt lostrekken bij een noodgeval.
 11. Zorg bij het plaatsen van het apparaat dat de voedingskabel niet wordt bekneld of beschadigd.
 12. Plaats niet meerdere verlengsnoeren of stekkerdozen achter het apparaat.
 13. Dit apparaat is bedoeld om te worden gebruikt in huishoudens en soortgelijke toepassingen, zoals
 - personeelskantines in winkels, kantoren en andere bedrijfsomgevingen;
 - pensions, en door klanten in hotels, motels en andere accommodaties;
 - bed & breakfast-achtige omgevingen;
 - catering en soortgelijke kleinhandelstoepassingen.
 14. Houd de ventilatieopeningen in de kast of ombouw van het apparaat vrij.
 15. Gebruik geen mechanische apparaten of andere middelen om het ontdooien te bespoedigen, tenzij deze door de fabrikant worden aanbevolen.
 16. Gebruik geen elektrische apparaten in de compartimenten voor voedingsmiddelen, tenzij ze van het type zijn dat door de fabrikant wordt aanbevolen.
 17. Bewaar geen vluchtige of ontvlambare voorwerpen of stoffen in de koelkast.
 - Deze koelkast is uitsluitend bestemd om voedsel in te bewaren.
 - Dit kan brand of een explosie veroorzaken.
 18. Bewaar in dit apparaat geen explosieve stoffen zoals spuitbussen met een brandbaar drijfgas.
 19. Voor het efficiëntste energiegebruik dient u alle onderdelen zoals bakken, laden en leggers op de plaats te houden waar deze door de fabrikant zijn geleverd.
 20. Alleen aansluiten op watertoevoer voor drinkwater. (alleen bepaalde modellen)

Veiligheidsinformatie

21. Alleen met drinkwater vullen. (alleen bepaalde modellen)
 - Vul de watertank, de ijslade en het ijsblokjesbakje uitsluitend met drinkwater (mineraalwater of gezuiverd water).
 - Vul de tank niet met thee, sap of sportdranken. Hierdoor kan de koelkast beschadigd raken.
22. Gebruik de nieuwe slangensets die bij het apparaat worden geleverd. Oude slangensets mogen niet worden hergebruikt.
23. Alleen aansluiten op watertoevoer voor drinkwater. Voor een juiste werking is een waterdruk van 206-861 kPa (30-125 psi) vereist.
24. Als het product is uitgerust met LED-lampjes, neemt u contact op met een lokaal Samsung-servicecentrum of vertegenwoordigers daarvan om de lampjes te vervangen.
25. Ter voorkoming van besmetting van etenswaren moet het volgende in acht worden genomen:
 - Als de deur te lang geopend is, kan de temperatuur in de koelkastcompartimenten aanzienlijk stijgen.
 - Oppervlakken die in contact komen met etenswaren en bereikbare afvoersystemen moeten regelmatig worden gereinigd.
 - Wanneer watertanks gedurende 48 uur niet zijn gebruikt, dient u deze te reinigen. Als er 5 dagen lang geen water is gebruikt, dient u het watersysteem te spoelen door het aan te sluiten op een watertoevoer.
 - Bewaar rauw vlees en rauwe vis in de koelkast in geschikte bakken, zodat dit niet in contact kan komen met andere etenswaren en geen vocht kan lekken op andere etenswaren.
 - Vriescompartimenten met twee sterren zijn geschikt voor het bewaren van ingevroren etenswaren, voor het bewaren of maken van ijs en voor het maken van ijsblokjes.
 - Compartimenten met één, twee en drie sterren zijn niet geschikt voor het invriezen van verse etenswaren.
 - Als de koelkast langere tijd leeg is, moet u deze uitschakelen, ontdooien, reinigen, droogmaken en de deur open laten staan om te voorkomen dat er schimmelvorming in de koelkast ontstaat.
26. De temperatuur in een vriesvak met twee sterren of een compartiment met een tweesterrensymbool (❄️❄️) ligt enigszins hoger dan in andere vriesvakken.
27. Om gevaar door instabiliteit van het apparaat te voorkomen, moet het volgens de instructies worden bevestigd.

Installatie

- Dit apparaat mag alleen worden vervoerd door twee of meer personen die het apparaat stevig vasthouden.
- Installeer het apparaat op een stevige en vlakke vloer.
- Installeer het apparaat niet op een vochtige en stoffige plek. Installeer of bewaar het apparaat niet in de buitenlucht of op plaatsen die blootstaan aan weersinvloeden zoals direct zonlicht, wind, regen of temperaturen onder het vriespunt.
- Plaats het apparaat niet in direct zonlicht en stel het niet bloot aan de hitte van verwarmingsapparaten zoals fornuizen of kachels.
- Zorg ervoor dat de achterkant van het apparaat niet bloot komt te liggen bij het installeren.
- Installeer het apparaat op een plaats waar het gemakkelijk is om de stekker uit het stopcontact te halen.
- Zorg ervoor dat de deur van het apparaat niet valt tijdens het monteren of demonteren.
- Zorg ervoor dat het netsnoer niet wordt afgeknelld, geplet of beschadigd tijdens het monteren of demonteren van de deur van het apparaat.
- Zorg ervoor dat de stekker niet omhoog wijst en dat het apparaat niet tegen de stekker leunt.
- Sluit geen stekkeradapter of andere accessoires aan op de stekker.
- Pas het netsnoer niet aan en verleng het niet.
- Zorg ervoor dat het stopcontact goed is geaard en dat de aardingspen op het netsnoer niet is beschadigd of verwijderd van de stekker. Voor meer informatie over aarding kunt u terecht bij het servicecentrum van Samsung Electronics.
- Dit apparaat is uitgerust met een netsnoer met een aardingsgeleider en een geaarde stekker. De stekker moet worden aangesloten op een geschikt stopcontact dat is geïnstalleerd en geaard in overeenstemming met alle plaatselijke voorschriften en verordeningen.
- Zet nooit een apparaat aan dat tekenen van schade vertoont. Neem bij twijfel contact op met uw dealer.
- Sluit het apparaat niet aan op een stekkerdoos zonder netsnoer (gemonteerd).
- Het apparaat moet worden aangesloten op een eigen stroomcircuit dat apart gezekeerd is.
- Gebruik geen stekkerdoos die niet correct is geaard (draagbaar). Als u een goed geaarde (draagbare) stekkerdoos gebruikt, gebruik dan een stekkerdoos met de stroomcapaciteit van het netsnoer of hoger en gebruik de stekkerdoos alleen voor het apparaat.
- Gooi alle verpakkingsmaterialen (zoals plastic zakken en piepschuim) uit de buurt van kinderen weg. Het verpakkingsmateriaal kan verstikking veroorzaken.

Bediening

LET OP

Om het risico op licht persoonlijk letsel, storingen of schade aan het product of eigendommen bij gebruik van dit product te beperken, dient u de volgende basisvoorzorgen in acht te nemen:

- Pas op voor kinderen in de buurt wanneer u de deur van het apparaat opent of sluit. De deur kan tegen het kind stoten en letsel veroorzaken.
- Let op dat kinderen niet opgesloten komen te zitten in het apparaat. Een kind dat opgesloten zit in het apparaat kan stikken. Raak bevroren voedsel of de metalen onderdelen in het vriescompartiment niet aan met natte of vochtige handen. Dit kan bevriezing van de handen veroorzaken.
- Plaats geen glazen verpakkingen, flessen of blikjes (vooral met koolzuurhoudende dranken) in het vriesvak, de leggers of de ijsbak waardoor die blootgesteld worden aan temperaturen onder het vriespunt.
- Het geharde glas aan de voorkant van de apparaatdeur of van de leggers kan beschadigd raken door een botsing. Als het kapot is. Raak het niet met de handen aan.
- Hang niet aan de deuren van het apparaat, de opslagruimte of de leggers en klim er niet op.
- Bewaar niet te veel waterflessen of bakjes voor bijgerechten in de deurmanden.
- Open of sluit de deur van het apparaat niet met overmatige kracht.
- Als het scharnier van de deur van het apparaat beschadigd is of niet goed werkt, gebruik het apparaat dan niet meer en neem contact op met een erkend servicecentrum.
- Voorkom dat dieren aan de stroomkabel of waterslang knabbelen.
- Eet diepvriesproducten nooit direct nadat ze uit het vriesvak zijn gehaald.
- Zorg ervoor dat er geen handen of voeten klem komen te zitten bij het openen of sluiten van de deur van het apparaat of de deur in de deur.

Onderhoud

- Reinig de glazen planken of deksels niet met warm water wanneer ze koud zijn. Ze kunnen versplinteren als ze worden blootgesteld aan plotselinge temperatuurschommelingen.
- Plaats de leggers niet ondersteboven. De leggers kunnen vallen.
- Neem contact op met het servicecentrum van Samsung Electronics wanneer aanvriezing van het apparaat moet worden verwijderd.
- Gooi het ijs uit de ijsbak in het vriesvak weg tijdens een langdurige stroomstoring.

Veiligheidsinformatie

Conformiteitsverklaring

Hierbij verklaart Samsung dat deze radioapparatuur voldoet aan de richtlijn 2014/53/EU en met de relevante wettelijke vereisten in het VK.

De volledige tekst van de EU-conformiteitsverklaring en de VK-conformiteitsverklaring is beschikbaar op het volgende internetadres: De officiële conformiteitsverklaring vindt u op <http://www.samsung.com>. Ga hiervoor naar Support > Zoeken en geef de modelnaam op.

LET OP (alleen van toepassing op het type Family Hub)

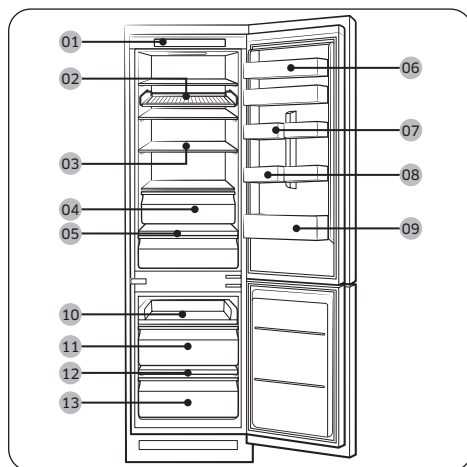
De 5 GHz WLAN-functie van dit apparaat mag alleen binnenshuis worden gebruikt. Deze apparatuur mag in alle EU-landen en het VK worden gebruikt.

	Frequentiebereik	Zendvermogen (maximaal)
Wi-Fi	2412 - 2472 MHz	20 dBm
	5120 - 5250 MHz	23 dBm
	5250 - 5350 MHz	20 dBm
	5470 - 5725 MHz	27 dBm
Bluetooth	2402 - 2480 MHz	20 dBm

Installatie

Overzicht van de koelkast

De werkelijke koelkast en de meegeleverde onderdelen van uw koelkast kunnen afwijken van de afbeeldingen in deze handleiding, afhankelijk van het model en het land.



- 01 Bedieningspaneel
 - 02 Wijnrek *
 - 03 Koelkastlegger *
 - 04 Koelkastlade *
 - 05 Groentelegger *
 - 06 Bovenste houder *
 - 07 Houder voor diversen
 - 08 Eierhouder *
 - 09 Koelkasthouder
 - 10 Uitschuifbare legger
 - 11 Middelste vriezerlade
 - 12 Vriezerlegger *
 - 13 Onderste vriezerlade
- * alleen bepaalde modellen

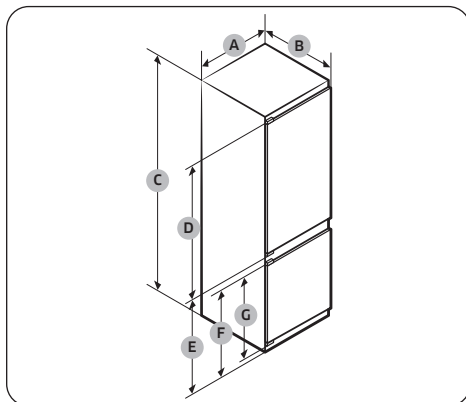
OPMERKING

- Voor een optimale energie-efficiëntie laat u alle leggers, laden en manden op de oorspronkelijke positie.
- Alleen voor modellen met een vriezerlegger:
 - Gebruik de vriezer met de onderste lade eruit als u snel grote hoeveelheden etenswaren wilt invriezen.
 - Als u meer ruimte nodig hebt, kunt u de uitschuifbare legger (10) en twee vriesladen (11, 13) eronder verwijderen, maar laat de vriezerlegger op de bovenste lade van de vriezer. Dit heeft geen gevolgen voor de thermische en mechanische eigenschappen. De aangegeven opslagcapaciteit van het compartiment voor bevroren etenswaren is berekend zonder de legger en vriezerladen.

Vrije ruimte

Zie de volgende afbeeldingen en tabellen voor de benodigde ruimte voor de installatie.

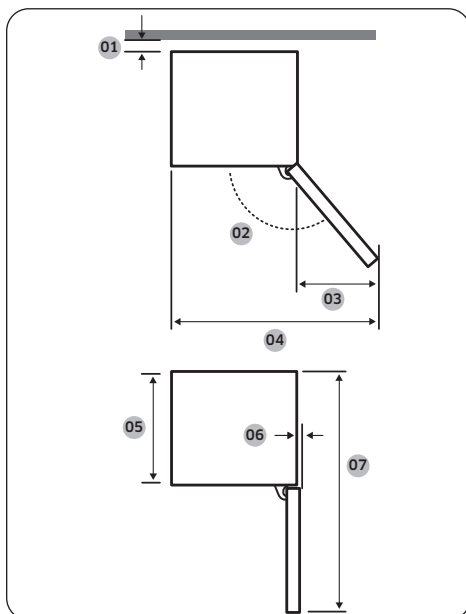
Productafmetingen



	BRB***26*	BRB***30*
A	540±2	540±2
B	550±2 (met deur)	550±2 (met deur)
C	1775±2	1935±2
D	987	1147
E	735	735
F	671	671
G	621	621

(eenheid: mm)

Totale productafmeting



Model	BRB*****S0 SCHUIFTYPE	BRB*****F0 VASTTYPE
01*	10 (min.) / 30 (aanbevolen)	
02	95° (aanbevolen)	115° (aanbevolen)
03	218	180
04	758	700
05	510	510
06	1	5
07	1055	1055

*01: Van de omkasting tot de achterkant van het product

(eenheid: mm)

OPMERKING

- Het genoemde energieverbruik is op basis van een afstand van 10 mm tussen de omkasting en de achterkant van het product. Het product werkt ook goed als de afstand minder dan 10 mm is, maar verbruikt dan iets meer energie.
- We raden aan een omkasting te gebruiken met panelen van 18 mm dik en scharnieren minder dan 20 mm dik.

OPMERKING

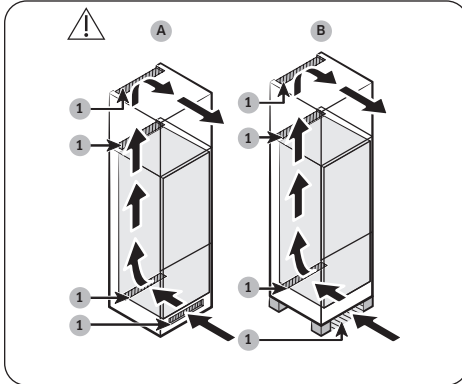
- De metingen in de bovenstaande tabel kunnen afwijken, afhankelijk van de meetmethode.
- Zie de installatiehandleiding voor informatie over installatie van het inbouwmodel.

Installatie

Ventilatiesysteem van de omkasting

Zoals weergegeven in de afbeelding circuleert de lucht die door de koelkast wordt aangezogen via het aangegeven ventilatietraject door de omkasting (zie pijlrichting). De omkasting moet zo worden geconstrueerd dat er ten minste 200 cm² (BxH: 500 mm x 40 mm) ruimte is rond de luchtinlaat en de ventilatieopening. Ook dient er aan de onderzijde van de omkasting ten minste 200 cm² (BxH: 500 mm x 40 mm) ruimte vrij te zijn rond de ventilatieopening aan de achterzijde.

Luchtinlaat

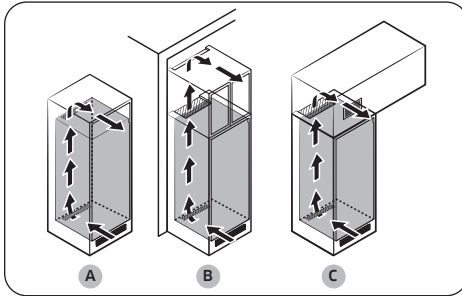


1	200 cm ²
---	---------------------

Afhankelijk van uw omkastingstype moet de luchtinlaat op dezelfde of een vergelijkbare plek gepositioneerd zijn als in de onderstaande voorbeelden.

- A. Een opening voor de luchtinlaat in de omkasting.
- B. Een omkasting op poten.

Ventilatieopening



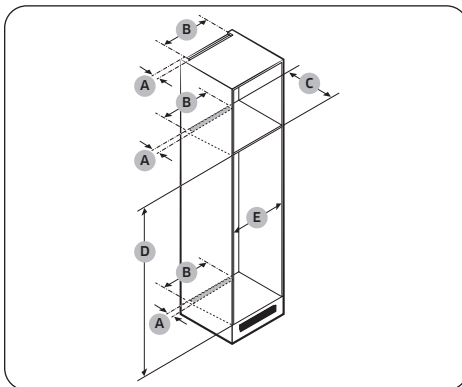
Afhankelijk van uw omkastingstype moet de ventilatieopening op dezelfde of een vergelijkbare plek gepositioneerd zijn als in de onderstaande voorbeelden.

- A. Direct boven de koelkast, in combinatie met een optioneel ventilatiooster.
- B. Nabij het plafond van de omkasting.
- C. Boven de koelkast, waarbij een afzonderlijke ventilatieopening wordt aangebracht.

⚠ LET OP

Het luchtventilatiesysteem mag niet worden geblokkeerd, ongeacht het kastontwerp.

Afmetingen van de omkasting



⚠ LET OP

Als de omkasting is voorzien van een deur, zorg er dan voor dat de deur niet te zwaar is om te voorkomen dat deze kan kantelen of losraken.

Deur van de omkasting	Dikte (mm)	Gewicht (kg)
Koelkastgedeelte	Min. 16	Max. 18
Vriezergedeelte	Max. 19	Max. 12

Defecten van het product die het gevolg zijn van de hieronder genoemde oorzaken, worden niet gedekt door de garantie.

1. Onwenselijke omstandigheden op de plaatsingslocatie of onjuiste afmetingen van de omkasting.
2. Defecten van de omkasting.
3. Fouten die zijn gemaakt door de installateur of de gebruiker.

Vrije ruimte

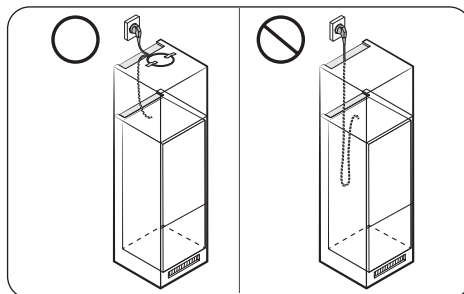
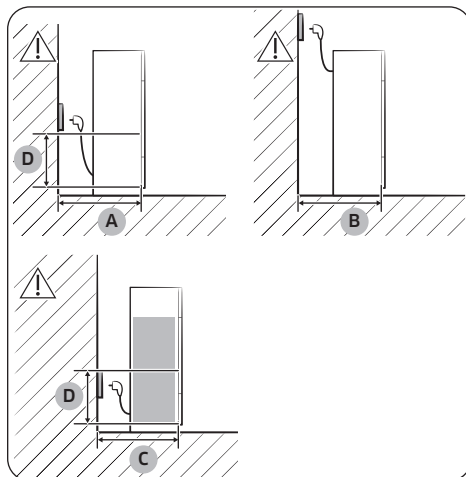
Zie de foto's en tabel hieronder voor de benodigde ruimte voor de installatie.

Model		A (mm)	B (mm)	C (mm)	D (mm)	E (mm)	Opmerking
BRB***26**S0 SCHUIFTYPE	Min.	40	500	560	1778	560	
	Aanbevolen			580	1780	562	
	Max.			-	1782	568	
BRB***26**F0 VASTTYPE	Min.			560	1778	555	Scharnier: 17 mm
	Aanbevolen			580	1780	562	
	Max.			-	1782	568	
BRB***30**S0 SCHUIFTYPE	Min.	40	500	560	1938	560	
	Aanbevolen			580	1940	562	
	Max.			-	1942	568	
BRB***30**F0 VASTTYPE	Min.			560	1938	555	Scharnier: 17 mm
	Aanbevolen			580	1940	562	
	Max.			-	1942	568	

OPMERKING

- Als de breedte van een omkasting groter is dan 568 mm, kan de pakking (tussen de koelkast en de omkasting) losraken.
- Als de omkasting hoger is dan de maximale afmetingen (1782 mm) moet u andere afwerkingsmaterialen gebruiken om de afstand op te vullen.

Overweging voor de locatie van stopcontacten en vereiste ruimte



A	Min. 590
B	Min. 560
C	Min. 580
D	240

(eenheid: mm)

OPMERKING

Wanneer u de koelkast in een omkasting met een diepte van 560 mm plaatst, moet u zorgen dat de stroomkabel aan de zijkant van de koelkast hangt voordat u de stekker in het stopcontact steekt. Als de stroomkabel aan de achterzijde van de koelkast hangt, kan dit de energie-efficiëntie negatief beïnvloeden.

Onderhoud

Reinigen

Binnenkant en buitenkant

WAARSCHUWING

- Gebruik geen wasbenzine, thinner, azijn, vloeibare bleek, natriumbicarbonaat, citroenzuur, zoutmengsels of huis-/ autoreinigingsmiddelen zoals bleekmiddel om het apparaat schoon te maken. Deze kunnen het oppervlak van de koelkast beschadigen en brand veroorzaken.
- Spuit geen water op de koelkast. Er kunnen elektrische schokken ontstaan.

Verwijder alle vreemde stoffen als stof en water regelmatig met een droge doek uit de klemmen en contactpunten van de stekker.

1. Ontkoppel het netsnoer.
2. Gebruik een vochtige, zachte, pluisvrije doek of keukenpapier om de koelkast van binnen en buiten schoon te maken.
3. Als u klaar bent, gebruik dan een droge doek of keukenpapier om alles goed te drogen.
4. Steek het netsnoer in het stopcontact.

LED-lampjes

Neem contact op met een lokaal servicecentrum van Samsung als u de lampjes van de koelkast wilt vervangen.

WAARSCHUWING

De lampjes kunnen niet door de gebruiker worden vervangen. Probeer een lampje niet zelf te vervangen. Er kunnen elektrische schokken ontstaan.

Lamp (lichtbron)

Dit product bevat een lichtbron van energie-efficiëntieklasse <G>.

De lamp(en) en/of voorschakelapparaten mogen niet door de gebruiker worden onderhouden. Neem contact op met een lokaal servicecentrum van Samsung als u de lamp(en) en/of voorschakelapparaten van het product wilt vervangen.

Voor uitgebreide instructies over het vervangen van lampen en voorschakelapparaten bij uw product gaat u naar de Samsung-website (<http://www.samsung.com>), en naar Support > Support home, en voert u de modelnaam in.

Voor uitgebreide instructies over het verwijderen van lampen en voorschakelapparaten volgt u de bovenstaande vervangingsinstructie.

Bijlage

Informatie over het model en het bestellen van reserveonderdelen

Modelinformatie

Scan de QR-code op het energielabel om meer energielabel-informatie voor dit product te raadplegen in het Europees productregister voor energie-etikettering (EPREL).

U vindt de QR-code op het energielabel in uw productverpakking.

Onderdeelinformatie

- De minimumperiode dat reserveonderdelen, die noodzakelijk zijn voor reparatie van het apparaat, beschikbaar zijn
 - 7 jaar thermostaten, temperatuursensoren, printplaten en lichtbronnen, deurgrepen, deurscharnieren, trays, manden (dozen of laden)
 - 10 jaar deurafdichtingen
- De minimale garantieperiode voor het koelapparaat die wordt geboden door de fabrikant 24 maanden.
- Relevante informatie voor het bestellen van reserveonderdelen, rechtstreeks of via andere door de fabrikant, importeur of erkende vertegenwoordiger geboden kanalen
- U kunt professionele reparatie-informatie vinden op <http://samsung.com/support>.

- U kunt de onderhoudshandleiding voor gebruikers vinden op <http://samsung.com/support>.

Installatieinstructie

Voor koelapparaten met klimaatklasse

- Afhankelijk van de klimaatklasse is dit koelapparaat bedoeld voor gebruik binnen het omgevingstemperatuurbereik dat is aangegeven in onderstaande tabel.
- De klimaatklasse is aangegeven op het typeplaatje. Het product werkt mogelijk niet naar behoren bij temperaturen buiten het aangegeven bereik.
- U kunt de klimaatklasse vinden op het etiket aan de binnenzijde van de koelkast

Effectief temperatuurbereik

De koelkast is ontworpen voor normaal gebruik in het temperatuurbereik dat bij de classificatie vermeld staat.

Klasse	Symbool	Bereik van de omgevingstemperatuur (°C)	
		IEC 62552 (ISO 15502)	ISO 8561
Hoog temperatuurbereik	SN	+10 tot +32	+10 tot +32
Gematigd	N	+16 tot +32	+16 tot +32
Subtropisch	ST	+16 tot +38	+18 tot +38
Tropisch	T	+16 tot +43	+18 tot +43

OPMERKING

De koelprestaties en het energieverbruik van de koelkast kunnen worden beïnvloed door de omgevingstemperatuur, de regelmaat waarmee de deur wordt geopend en de locatie van de koelkast. Het wordt aanbevolen om waar nodig de temperatuurstellingen te wijzigen.

Temperatuurinstructie

Aanbevolen temperatuur

De optimale temperatuur voor het bewaren van voedsel:

- Koelkast: 3 °C
- Vriezer: -19 °C

OPMERKING

De optimale temperatuurstelling voor elk compartiment is afhankelijk van de omgevingstemperatuur. De hierboven vermelde optimale temperatuur is gebaseerd op een omgevingstemperatuur van 25 °C.

Snelkoelen

Met Power Cool (Snelkoelen) wordt het koelproces op maximale ventilatorsnelheid versneld. De koelkast blijft twee en een half uur op maximale snelheid draaien en keert vervolgens terug naar de vorige temperatuur.

Snelvriezen

Met Power Freeze (Snelvriezen) wordt het vriesproces op maximale ventilatorsnelheid versneld. De vriezer blijft 50 uur op maximale snelheid draaien en keert vervolgens terug naar de vorige temperatuur. Als u een grote hoeveelheid voedingsmiddelen wilt invriezen, activeer Power Freeze (Snelvriezen) dan ten minste 20 uur voordat u voedsel in de vriezer plaatst.

OPMERKING

Wanneer u deze functie gebruikt, neemt het energieverbruik van de koelkast toe. Zet deze functie uit als u deze niet nodig hebt en zet de vriezer weer op de oorspronkelijke temperatuurstelling.

Bijlage

De beste conservering van bewaarde etenswaren (alleen bepaalde modellen)

Dek etenswaren af om vochtverlies en het overnemen van geurtjes van andere voedingsmiddelen te beperken. Een grote pan met etenswaren als soep of stoofpot kunt u beter in kleinere porties verdelen en in ondiepe bakjes doen voordat u deze in de koelkast zet. Een groot stuk vlees of hele kip kan beter in kleinere stukken worden verdeeld of in ondiepe bakjes worden gedaan voordat u dit in de koelkast zet.

Plaatsing van etenswaren

Leggers	Leggers dienen aangepast te kunnen worden om plaats te bieden aan verschillende verpakkingen.
Speciale compartimenten (alleen bepaalde modellen)	Afgesloten groenteladen bieden een optimale bewaaromgeving voor groenten en fruit. Groenten hebben een hogere vochtigheidsgraad nodig, fruit een lagere. Groenteladen zijn uitgerust met een bediening om de luchtvochtigheid te regelen. (*Afhankelijk van model en opties) In een vleeslade met aanpasbare temperatuur kunnen vlees en kaas het langst worden bewaard.
In de deur bewaard	Bewaar bederfelijk voedsel niet in de deur. Eieren kunt u het beste in hun doos op een legger bewaren. De temperatuur van de opbergvakken in de deur wisselt sterker dan de temperatuur in de koelkast zelf. Houd de deur zoveel mogelijk gesloten.
Vriesvak	In het vriesvak kunt u diepvriesproducten bewaren, ijsblokjes maken en vers voedsel invriezen.

OPMERKING

Vries alleen verse etenswaren in onbeschadigde staat in. Houd etenswaren die u wilt invriezen uit de buurt van etenswaren die al bevroren zijn. Bewaar etenswaren luchtdicht verpakt om te voorkomen dat het zijn smaak verliest of uitdroogt.

Bewaartabel voor koelkast en vriezer

Hoe lang een product vers blijft, hangt af van de temperatuur en blootstelling aan vocht. Omdat de houdbaarheidsdatums op de verpakking geen richtlijn zijn voor het veilig gebruik van een product, kunt u deze tabel raadplegen en de tips opvolgen.

Product		Koelkast	Vriezer
Melkproducten	Melk	1 week	1 maand
	Boter	2 weken	12 maanden
	Roomkaas	2 weken	Niet aangeraden
Vlees	Verse rollades, biefstukken en koteletten	3-4 dagen	2-3 maanden
	Verse worst van varken, rund of kalkoen	1-2 dagen	1-2 maanden
Gevogelte / eieren	Vers gevogelte	2 dagen	6-8 maanden
	Verse eieren (in de schaal)	2-4 weken	Niet aangeraden
Vis / zeevruchten	Verse vis	1-2 dagen	3-6 maanden
	Gedroogde of ingemaakte vis	3-4 weken	-
Fruit	Appels	1 maand	-
	Ander vers fruit	3-5 dagen	9-12 maanden
Groenten	Asperges	2-3 dagen	-
	Broccoli, spruitjes, doperwten en champignons	3-5 dagen	-
	Kool, bloemkool, bleekselderij, komkommers en sla	1 week	-
	Wortels, bietjes en radijsjes	2 weken	-

Instructies over de AEEA-richtlijn



Correcte verwijdering van dit product (afgedankte elektrische en elektronische apparatuur)

(Van toepassing in landen waar afval gescheiden wordt ingezameld)

Dit label op het product, de accessoires of de documentatie bij dit product duidt erop dat het product en de bijbehorende elektronische accessoires (bijvoorbeeld de oplader, headset of USB-kabel) aan het eind van de levensduur niet mogen worden afgevoerd met het huishoudelijk afval. Om negatieve gevolgen voor het milieu en de volksgezondheid door een ongecontroleerde afvalverwerking te voorkomen, verzoeken we u dit afval te scheiden van andere soorten afval zodat de grondstoffen op een verantwoorde wijze kunnen worden gerecycled voor duurzaam hergebruik.

Huishoudelijke gebruikers moeten contact opnemen met de winkel waar ze dit product hebben gekocht of met de gemeente waar ze wonen om te vernemen waar en hoe ze deze artikelen milieuvriendelijk kunnen laten recyclen.

Zakelijke gebruikers moeten contact opnemen met hun leverancier en de voorwaarden en bepalingen van het koopcontract doornemen. Dit product en de bijbehorende elektronische accessoires moet gescheiden van ander commercieel afval worden afgevoerd.

Ga voor informatie over de milieufspraken en productspecifieke wettelijke verplichtingen van Samsung, zoals REACH, AEEA en m.b.t. accu's, naar onze duurzaamheidspagina via www.samsung.com

(Geldt alleen voor producten die worden verkocht in Europese landen en in het VK)

Memo

Kylskåp

Inbyggd apparat

Enkel användarhandbok

- Detaljerade instruktioner om installation och rengöring av apparaterna finns på Samsungs webbplats (<http://www.samsung.com>). Gå till Support > Support hem och skriv in modellens namn.
- Du hittar produktens modellnamn på etiketten som medföljer produkten eller som sitter fast på produkten.
- Öppna en QR-kodläsarapp och skanna QR-koden som är fäst på produkten. Du kan få åtkomst till Produktregistrering, Manual och Kundsupport.
- Siffror och bilder är endast för referens och kan skilja sig från den verkliga produkten. Produktdesign och -specifikationer kan ändras utan föregående meddelande.



Skanna detta med din telefon.

Säkerhetsinformation

- Gratiss till dina nya apparater från Samsung. I den här bruksanvisningen finns viktig information om installation, användning och användarhandboken av dina apparater. Läs igenom den här användarhandboken noggrant innan du använder apparaterna för att säkerställa att du vet hur du på ett säkert och effektivt sätt använder de egenskaper och funktioner som dina nya apparater erbjuder.

Viktiga säkerhetssymboler

Vad symbolerna och tecknen i handboken betyder:

VARNING

Farlig och osäker hantering kan resultera i **allvarliga personskador, dödsfall och/eller egendomsskador**.

VAR FÖRSIKTIG

Farliga eller osäkra åtgärder som kan leda till **personskada och/eller skada på egendom**.

Läs anvisningarna

Efter att du har läst den här användarhandboken ska du förvara den på ett säkert ställe för framtida referens.

Läs alla anvisningar innan du använder tvättmaskinen.

OBS!

Ytterligare information som kan vara användbar

Säkerhetsinformation

VARNING

Om anvisningarna inte följs kan det orsaka elektrisk stöt, skada, brand, stopp eller explosion.

Viktiga försiktighetsanvisningar gällande säkerhet



VARNING! Risk för brand/brandfarliga material

1. Den här apparaten är inte avsedd att användas av några personer (inklusive barn) med nedsatt fysisk, psykisk eller mental förmåga, eller avsaknad av erfarenhet och kunskap, om personen eller personerna inte har någon som övervakar och instruerar angående hur apparaten används samt ansvarar för deras säkerhet.
2. **För användning i Europa:** Den här apparaten kan användas av barn från 8 år och uppåt och personer med nedsatt fysisk, känslomässig eller mental förmåga eller avsaknad av den erfarenhet och kunskap som krävs om de får övervakning eller instruktioner gällande användning av apparaten på ett säkert sätt och förstår de faror som finns med den. Barn får inte leka med apparaten. Rengöring och användarunderhåll får inte utföras av barn utan övervakning. Barn från 3 till 8 år får fylla och tömma kylskåp.
3. Barn ska övervakas av en vuxen så att de inte leker med apparaten.
4. Om strömssladden skadas måste den bytas av tillverkaren eller dess serviceombud eller en liknande behörig person för att undvika skada.
5. Den här apparaten innehåller en liten mängd av det lättantändliga kylmediumet isobutan (R-600a). För installation, hantering, service och kassering av apparaten ska åtgärder vidtas för att garantera att inga delar av kylslangen skadas.
6. R-600a eller R-134a används som kylmedel. Kontrollera märkningen på kompressorn på baksidan av apparaten eller typskylten i kylskåpet för att se vilket kylmedel som används i apparaten. Om produkten innehåller antändbar gas (kylmedel R-600a) ska du kontakta din lokala myndighet för säker kassering av produkten.
7. Skada inte kylslangen.

8. För att undvika att en blandning av lättantändlig gas/luft skapas om ett läckage i kylslingan uppstår måste rummet vara minst 1 m³ stort för varje 8 g R-600a-kylmedium inuti apparaten. Koppla ur apparaten om den uppvisar några tecken på skada och rådfråga din återförsäljare om du är osäker.
9. Cyklopentan används i isoleringen. Gaserna i isoleringsmaterialet kräver en speciell avfallshantering. Kontakta lokala myndigheter för miljövänlig kassering.
10. Väggtuttaget måste vara lättåtkomligt så att apparaten i en nödsituation snabbt kan kopplas ifrån strömförsörjningen.
11. Se till att nätsladden inte fastnar eller skadas när du positionerar apparaten.
12. Placera inte flera förlängningssladdar eller bärbara nätaggregat på baksidan av kylskåpet.
13. Denna apparat är avsedd för användning i hushåll och liknande användningsområden som:
 - personalkök i butiker, kontor eller andra arbetsomgivningar
 - på bondgårdar och för gäster på hotell, motell och andra bostadsomgivningar
 - i bed-and-breakfast-liknande omgivningar
 - catering och liknande ej kommersiella användningsområden.
14. Håll ventilationsöppningar i apparatens hölje eller den inbyggda strukturen fria från hinder.
15. Använd inte mekaniska apparater eller andra sätt att skynda på upptiningsprocessen, förutom dem som rekommenderas av tillverkaren.
16. Använd inte elektriska apparater i apparatens frysack såvida denna typ inte rekommenderats av tillverkaren.
17. Förvara inte flyktiga eller brandfarliga föremål eller ämnen i kylskåpet.
 - Det här kylskåpet är endast för att förvara livsmedel.
 - Detta kan resultera i brand eller explosion.
18. Förvara inte explosiva ämnen som aerosolburkar med brandfarlig drivgas i denna apparat.
19. För effektivast energianvändning ska du låta alla inre tillbehör såsom korgar, lådor och hyllor vara kvar på samma plats som de levererades på.
20. Anslut endast till dricksvatten. (Endast på tillämpliga modeller)

Säkerhetsinformation

21. Fyll endast med dricksvatten. (Endast på tillämpliga modeller)
 - Fyll bara på vattenbehållaren, isfacket och vattenkuber med dricksvatten (mineralvatten eller renat vatten).
 - Fyll inte på behållaren med te, juice eller sportdryck, eftersom detta kan skada kylskåpet.
22. Nya slangar som levereras med apparaten ska användas och gamla slangar får inte återanvändas.
23. Anslut endast till dricksvatten. Ett vattentryck på 206–861 kPa (30–125 psi) krävs för korrekt drift.
24. Om produkten är utrustad med LED-lampor måste du kontakta ett lokalt Samsung-servicecenter eller dess ombud för att byta lamporna.
25. Följ följande instruktioner för att undvika att kontaminera livsmedel:
 - Att öppna dörren under längre perioder kan höja temperaturen i apparatens fack signifikant.
 - Rengör med jämna mellanrum ytor som kan komma i kontakt med livsmedel och tillgängliga dräneringssystem.
 - Rengör vattenbehållare som inte har använts under 48 timmar; spola vattensystemet som är anslutet till vattenförsörjningen om inget vatten har tagits under 5 dagar.
 - Förvara rått kött och rå fisk i lämpliga behållare i kylskåpet, så att de inte är i kontakt med eller droppar på andra livsmedel.
 - Frysack för livsmedel med två stjärnor är lämpliga för att förvara förfrysad mat, förvara eller göra glass och för att göra iskuber.
 - En-, två- och trestjärniga fack är inte lämpliga för att frysa färska livsmedel.
 - Om kylskåpet lämnas tomt under längre perioder ska det slås av, avfrostas, rengöras och torkas, och dörren ska lämnas öppen för att förhindra att mögel uppstår inuti apparaten.
26. Temperaturen i den tvåstjärniga sektionen (sektionerna) eller facket (facken) som har en symbol med två stjärnor (✱✱) är lite högre än i de andra frysacken.
27. Apparaten måste fixeras i enlighet med instruktionerna för att undvika fara på grund av instabilitet.

Installation

- Den här apparaten får endast transporteras av två eller fler personer som håller i apparaten ordentligt.
- Installera apparaten på ett fast och jämnt golv.
- Installera inte apparaten på en fuktig och dammig plats. Installera eller förvara inte apparaten utomhus eller i områden som utsätts för väder och vind, t.ex. direkt solljus, vind, regn eller temperaturer under fryspunkten.
- Placera inte apparaten i direkt solljus och utsätt den inte för värme från värmeapparater som spisar eller element.
- Var noga med att inte exponera apparatens baksida när du installerar den.
- Installera apparaten på en plats där det är lätt att dra ut stickkontakten.
- Var försiktig så att inte apparatens dörr faller ned vid montering eller demontering.
- Var försiktig så att du inte klämmer, krossar eller skadar nätsladden vid montering eller demontering av apparatens dörr.
- Var noga med att inte rikta nätkontakten uppåt eller luta apparaten mot nätkontakten.
- Anslut inte en adapter eller andra tillbehör till nätkontakten.
- Nätkabeln får inte modifieras eller förlängas.
- Se till att uttaget är ordentligt jordat och att jordstiftet på nätsladden inte är skadat eller borttaget från nätkontakten. Fråga efter mer information om jordning på Samsung Electronics servicecenter.
- Den här apparaten är utrustad med en nätsladd som har en jordad ledare och en jordad nätkontakt. Nätkontakten måste anslutas till ett lämpligt eluttag som är installerat och jordat i enlighet med alla lokala föreskrifter och förordningar.
- Använd aldrig en apparat som visar tecken på skada. Kontakta din återförsäljare om du är osäker.
- Anslut inte apparaten till en adapter för flera uttag som inte har en nätsladd (monterad).
- Apparaten ska anslutas till en egen strömledning som är separat säkrad.
- Använd inte ett uttag med flera kontakter som inte är korrekt jordat (bärbart). Om du använder ett korrekt jordat uttag med flera kontakter (bärbart) ska du använda uttaget med flera kontakter med nätsladdens strömkapacitet eller högre och använda uttaget för flera kontakter endast för apparaten.
- Kasserera allt förpackningsmaterial (t.ex. plastpåsar och polystyren) utom räckhåll för barn. Förpackningsmaterialet kan orsaka kvävning.

Drift

VAR FÖRSIKTIG

För att minska risken för mindre personskador, felfunktion eller skador på produkten eller egendom vid användning av den här produkten ska du följa grundläggande försiktighetsåtgärder, inklusive följande:

- Var försiktig med barn i närheten när du öppnar eller stänger apparatens dörr då dörren kan stöta till barnet och orsaka skada.
- Undvik risken att barn fastnar i apparaten. Ett barn som fastnar i apparaten kan kvävas. Vidrör inte frysta livsmedel eller metalldelarna i frysexonen med våta eller fuktiga händer. Det kan orsaka köldskador.
- Placera inte glasbehållare, flaskor eller burkar (särskilt inte sådana som innehåller kolsyrade drycker) i frysfacket, på hyllorna eller i isbehållaren om de utsätts för temperaturer under fryspunkten.
- Det härdade glaset på framsidan på apparatens dörr eller hyllorna kan skadas av stötar. Om det är trasigt ska du inte vidröra det med händerna.
- Häng inte i apparatens dörrar, lagringsutrymme eller hylla och klättra inte upp i dem.
- Förvara inte alltför många vattenflaskor eller behållare i dörrkorgarna.
- Öppna och stäng inte apparatens dörr med överdriven kraft.
- Sluta använda apparaten om gångjärnet på apparatens dörr skadas eller inte fungerar som det ska och kontakta en auktoriserad serviceverkstad.
- Förhindra att djur tuggar på nätsladden och vattenslangen.
- Ät aldrig frysta livsmedel direkt efter att de har tagits ut ur frysfacket.
- Se till att ingen hand eller fot fastnar när du öppnar och stänger apparatens dörr eller dörr i dörr.

Underhåll

- Rengör inte glasytorna eller höljena med varmt vatten när de är kalla. De kan splittras om de utsätts för plötsliga temperaturförändringar.
- Hyllorna får inte sättas in upp och ned. Hyllorna kan falla ned.
- Kontakta Samsung Electronics servicecenter för att avlägsna frost från apparaten.
- Ta hand om isen i isbehållaren i frysfacket vid ett längre strömbrott.

Säkerhetsinformation

Deklaration om överensstämmelse

Härmed intygar Samsung att denna radioutrustning uppfyller direktiv 2014/53/EU och relevanta brittiska lagstadgade krav.

Den fullständiga texten till EU:s försäkringen om överensstämmelse och Storbritanniens försäkringen om överensstämmelse finns på följande webbadress: Den officiella försäkringen om överensstämmelse hittar du på <http://www.samsung.com>. Gå till Support > Sök produktsupport och ange modellnamn.

VAR FÖRSIKTIG (Endast tillgängligt på Family Hub-typen)

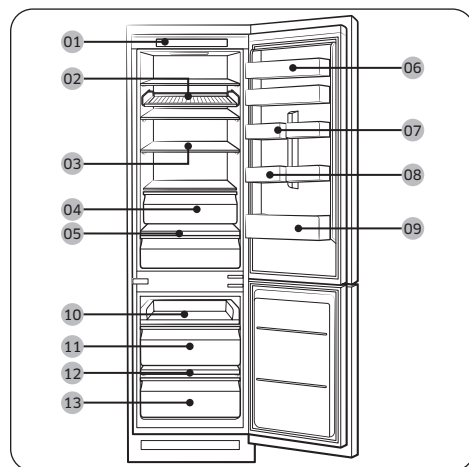
5 GHz WLAN-funktionen på den här utrustningen får endast användas inomhus. Den här utrustningen kan användas i alla EU-länder och i Storbritannien.

	Frekvensintervall	Sändareffekt (max.)
Wi-Fi	2412–2472 MHz	20 dBm
	5120–5250 MHz	23 dBm
	5250–5350 MHz	20 dBm
	5470–5725 MHz	27 dBm
Bluetooth	2402–2480 MHz	20 dBm

Installation

En överblick över kylskåpet

Det faktiska kylskåpet och medföljande delar till kylskåpet kan skilja sig från bilderna i den här bruksanvisningen, beroende på modellen och landet.



- 01 Kontrollpanel
 - 02 Vinhylla *
 - 03 Kylskåpshylla *
 - 04 Kylskåpslåda *
 - 05 Grönsakshylla *
 - 06 Toppskydd *
 - 07 Variationsskydd
 - 08 Äggfack *
 - 09 Kylskåpsskydd
 - 10 Glidhylla
 - 11 Fryslåda i mitten
 - 12 Fryshylla *
 - 13 Nedersta fryslådan
- * Endast på tillämpliga modeller

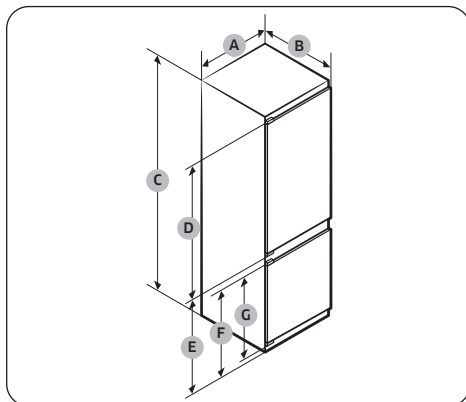
OBS!

- För bästa energieffektivitet ska du se till att alla hyllor, lådor och korgar är placerade på sina originalplatser.
- Endast för modeller som har en fryshylla:
 - För att snabbt frysa stora mängder mat ska du använda frysen efter att du har tagit bort frysens nedersta låda.
 - För att få mer utrymme kan du ta bort glidhyllan (10) och två fryslådor (11, 13) under den, men behåll fryshyllan på frysens nedersta låda. Det påverkar inte de termiska och mekaniska funktionerna. Deklarerad förvaringsvolym för fryst mat i förvaringsfacken beräknas med hyllan och fryslådorna borttagna.

Spel

Se följande figurer och tabeller för krav på installationsutrymme.

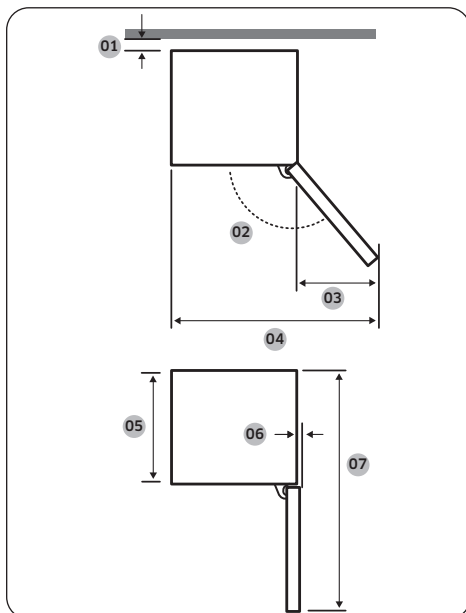
Produktens mått



	BRB***26*	BRB***30*
A	540 ± 2	540 ± 2
B	550 ± 2 (med dörr)	550 ± 2 (med dörr)
C	1775 ± 2	1935 ± 2
D	987	1147
E	735	735
F	671	671
G	621	621

(enhet: mm)

Övergripande produktmått



Modell	BRB*****S0 GLIDTYP	BRB*****F0 FAST TYP
01*	10 (min.) / 30 (rekommenderat)	
02	95° (rekommenderat)	115° (rekommenderat)
03	218	180
04	758	700
05	510	510
06	1	5
07	1055	1055

* 01: Från skåp till produktens baksida.

(enhet: mm)

OBS!

- Specificerad energiförbrukning är baserad på förhållandet med ett 10 mm spel från skåpet till produktens baksida. Produkten fungerar som den ska även med ett spel på mindre än 10 mm, men förbrukar lite mer energi.
- Vi rekommenderar att du använder ett skåp som är 18 mm tjockt med gångjärn som inte är bredare än 20 mm.

OBS!

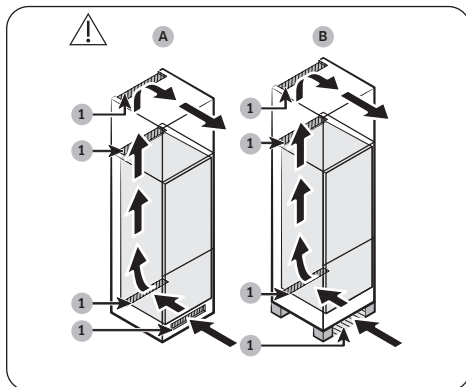
- Måtten i tabellen ovan kan variera beroende på mätmetoden.
- Se installationsmanualen för inbyggd installation.

Installation

Skåpets ventilationssystem

Som bilden visar cirkulerar luften som kommer in i kylskåpet i skåpets ventilationsriktning (se pilarnas riktning). Skåpet måste ha minst 200 cm² (B x H: 500 mm x 40 mm) utrymme för luftintaget och luftutsläppet. Skåpet måste dessutom ha en bakre öppning på minst 200 cm² (B x H: 500 mm x 40 mm) längst ned på baksidan.

Luftintag

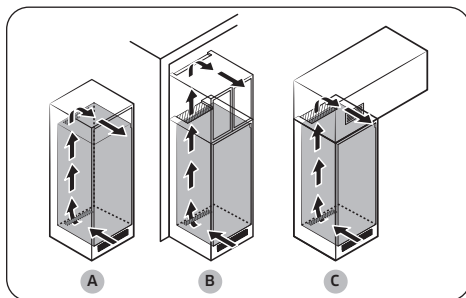


1	200 cm ²
---	---------------------

Luftintaget måste placeras som i ett av exemplen nedan, eller i en liknande position, beroende på skåpstyp.

- A. Ett ventilationshål inkluderat i skåpet.
- B. Ett skåp med fötter.

Luftutsläpp



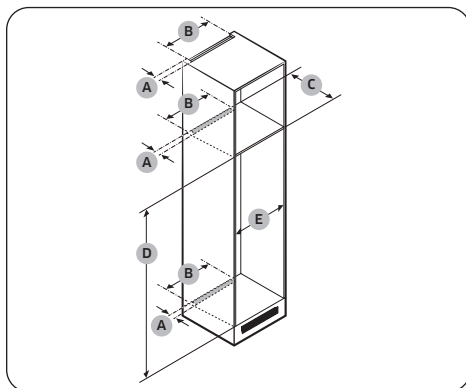
Luftutsläppet måste placeras som i ett av exemplen nedan, eller i en liknande position, beroende på skåpstyp.

- A. Precis ovanför kylskåpet, med ett galler om så önskas
- B. Nära skåpets tak
- C. Ovanför kylskåpet med en separat inbyggd öppning

⚠ VAR FÖRSIKTIG

Luftventilationssystemet får inte blockeras av en installation av något slag, oavsett hur skåpdesignen ser ut.

Skåpets mått



⚠ VAR FÖRSIKTIG

Om skåpet är försett med en dörr ska du kontrollera att dörren inte är så tung att den kan tippa eller lossna.

Skåpets dörr	Tjocklek (mm)	Vikt (kg)
Kylskåpssidan	Min. 16	Max. 18
Frysöppningen	Max. 19	Max. 12

Eventuella produktfel som beror på följande täcks inte av garantin.

1. Otillbörlig placering eller felaktiga skåpmått
2. Defekt skåp
3. Installatörens eller användarens misstag

Spel

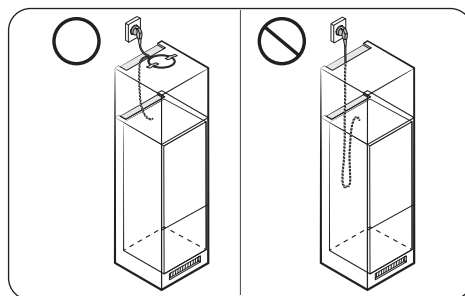
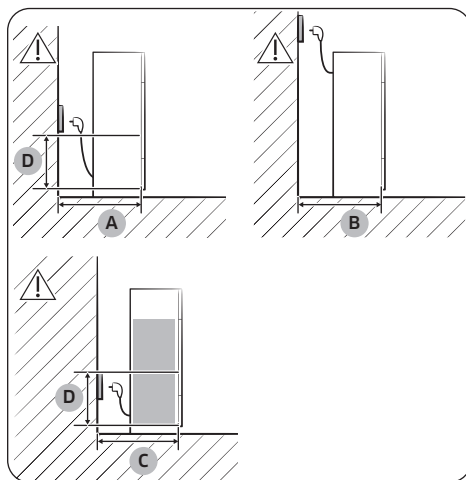
Se bilderna och tabellerna nedan för krav på utrymme vid installation.

Modell		A (mm)	B (mm)	C (mm)	D (mm)	E (mm)	Anmärkning
BRB***26**S0 GLIDTYP	Min.	40	500	560	1778	560	
	Rekommenderas			580	1780	562	
	Max.			-	1782	568	
BRB***26**F0 FAST TYP	Min.			560	1778	555	Gångjärn: 17 mm
	Rekommenderas			580	1780	562	
	Max.			-	1782	568	
BRB***30**S0 GLIDTYP	Min.	40	500	560	1938	560	
	Rekommenderas			580	1940	562	
	Max.			-	1942	568	
BRB***30**F0 FAST TYP	Min.			560	1938	555	Gångjärn: 17 mm
	Rekommenderas			580	1940	562	
	Max.			-	1942	568	

⚠ OBS!

- Om bredden på skåpet är större än 568 mm, kan packningen (mellan kylskåpet och skåpet) lossna.
- Om skåpet är högre än det maximala måttet (1 782 mm) måste du använda andra ytbehandlingsmaterial för att fylla spelet.

Beaktande av plats för uttag och erforderligt utrymme



A	Min. 590
B	Min. 560
C	Min. 580
D	240

(enhet: mm)

⚠ OBS!

Om du installerar kylskåpet i ett skåp med ett djup på 560 mm ska du säkerställa att strömsladden är placerad på sidan av kylskåpet innan du ansluter den till ett vägguttag. Om strömsladden är placerad på baksidan av kylskåpet kan det minska energieffektiviteten.

Underhåll

Dammsugning

Insidan och utsidan

VARNING

- Använd inte bensen, thinner, vinäger, flytande blekmedel, bakpulver, citronsyra, saltblandningar eller rengöringsmedel för hem/bil, t.ex. Clorox™, för rengöring. De kan skada ytan på kylskåpet och orsaka en brand.
- Spreja inte vatten på kylskåpet. Det kan orsaka elstötar.

Använd en torr trasa med jämna mellanrum för att torka bort alla främmande föremål som damm eller vatten från kontaktens terminal och kontaktpunkterna.

1. Koppla bort strömsladden.
2. Använd en fuktad, mjuk, luddfri trasa eller pappershandduk för att rengöra kylskåpets insida och utsida.
3. När det är klart använder du en torr duk eller pappershandduk för att torka ordentligt.
4. Koppla in strömsladden.

LED-lampor

Om du behöver byta ut kylskåpets lampor ska du kontakta ett lokalt Samsung-servicecenter.

VARNING

Du får inte byta ut lamporna själv. Försök inte byta ut en lampa själv. Det kan orsaka elstötar.

Lampa (ljuskälla)

Produkten innehåller en ljuskälla av energieffektivitetsklass <G>. Lamporna och/eller styrdonen kan inte servas av användaren. Om du behöver byta ut produktens lampor eller styrdon, kontakta ett lokalt Samsung-servicecenter.

Detaljerade anvisningar om byte av lampor eller styrdon i produkten finns på Samsungs webbplats (<http://www.samsung.com>). Gå till Support > Support Home och ange sedan modellnamnet.

För detaljerade anvisningar om demontering av lampor och/eller styrdon, följ bara bytesanvisningen enligt beskrivningen ovan.

Bilaga

Information om modellen och hur du beställer reservdelar

Modellinformation

Du kan scanna QR-koden på energimärkningen för att få åtkomst till den här produktens energimärkningsinformation enligt European Product Registry for Energy Labelling (EPREL).

Du hittar QR-koden på energimärkningen på produktförpackningen.

Reservdelsinformation

- Den minsta perioden under vilken reservdelar, som är nödvändiga för att reparera apparaten, är tillgängliga.
 - 7 år: termostater, temperatursensorer, printed circuit boards och ljuskällor, dörrhandtag, dörrgångjärn, fack, korgar (lådor)
 - 10 år: dörrpackningar
- Den minsta garantiperioden som erbjuds av tillverkaren för kylanläggningen är 24 månader.
- Relevant information för att beställa reservdelar, direkt eller via andra kanaler som tillhandahålls av tillverkaren, importören eller auktoriserad representant
- Du hittar information om professionell reparation på <http://samsung.com/support>.
- Du hittar servicehandboken på <http://samsung.com/support>.

Installeringsanvisningar

För kylanläggningar med klimatklass

- Beroende på klimatklass är den här kylanläggningen avsett att användas inom det intervall för omgivande temperatur som anges i följande tabell.
- Du hittar klimatklassen på märkplåten. Produkten fungerar eventuellt inte korrekt i temperaturer utanför det specifika intervallet.
- Du hittar klimatklassen på en etikett inuti kylskåpet

Effektivt temperaturintervall

Kylskåpet är utformat för att fungera som vanligt i temperaturintervallet som anges i klassbehörigheten.

Klass	Symbol	Omgivningens temperaturintervall (°C)	
		IEC 62552 (ISO 15502)	ISO 8561
Utökad temperatur	SN	+10 till +32	+10 till +32
Tempererat	N	+16 till +32	+16 till +32
Subtropiskt	ST	+16 till +38	+18 till +38
Tropiskt	T	+16 till +43	+18 till +43

OBS!

Kylskåpets kylprestanda och energiförbrukning kan påverkas av omgivningens temperatur, hur ofta dörren öppnas och kylskåpets placering. Vi rekommenderar att temperaturinställningarna ställs in efter behov.

Temperaturanvisningar

Rekommenderad temperatur

Optimal temperatur för lagring av livsmedel:

- Kylskåp: 3 °C
- Frys: -19 °C

OBS!

Den optimala temperaturinställningen för varje fack beror på den omgivande temperaturen. Högre än optimal temperatur är baserat på en omgivande temperatur på 25 °C.

Högeffektskyl

Högeffektskylen ökar kylprocessen till högsta fläkthastighet. Kylskåpet fortsätter att fungera med högsta hastighet under två och en halv timme och går sedan tillbaka till föregående temperatur.

Högeffektsfrys

Snabb frysning ökar frysprocessen till högsta fläkthastighet. Frysaren fortsätter att fungera med högsta hastighet under 50 timmar och går sedan tillbaka till föregående temperatur. Om du behöver frysa en stor mängd livsmedel ska du aktivera Högeffektsfrys i minst 20 timmar innan du placerar livsmedlet i frysen.

OBS!

När du använder den här funktionen ökar kylskåpets energiförbrukning. Kom ihåg att stänga av den när du inte behöver den och ställa in frysen på dess originaltemperaturinställning igen.

Bilaga

Hur livsmedel ska lagras för att hålla sig färska länge (endast på tillämpliga modeller)

Täck över livsmedlen så att de inte torkar ut och för att förhindra att de absorberar lukt från andra livsmedel. Innehållet i en stor gryta, t.ex. soppa eller stuvning, ska fördelas i mindre portioner i låga behållare innan du ställer det i kylan. En stor bit kött eller hel fågel ska delas upp i mindre bitar eller läggas i låga behållare innan du ställer köttet i kylan.

Placering av livsmedel

Hyllor	Hyllorna ska vara justerbara, så att de kan anpassas till olika förpackningar.
Specialfack (Endast på tillämpliga modeller)	Slutna grönsakslådor utgör den perfekta förvaringsmiljön för frukt och grönsaker. Grönsaker behöver en hög fuktighetsnivå, och frukt behöver en lägre fuktighetsnivå. Grönsakslådorna har luftfuktighetskontroll, så att du kan justera fuktighetsnivån. (*Beroende på modell och tillval) En köttlåda med justerbar temperatur förlänger lagringstiden på kött och ost.
Lagring i dörrpanelen	Lagra inte färska livsmedel i dörrpanelen. Ägg ska förvaras i en kartong på en hylla. Temperaturen i facken på dörren varierar mer än temperaturen inne i kylskåpet. Håll dörren stängd så mycket som möjligt.
Frysack	I frysacket kan du förvara frysta livsmedel, frysa isbitar och frysa in färska livsmedel.

OBS!

Frysa färsk, ej skadad mat. Håll mat som ska frysas borta från mat som redan är fryst. För att undvika att mat förlorar sin smak eller torkar ut ska du placera den i lufttäta behållare.

Lagringstabell för kylskåp och frys:

Hållbarheten beror på temperaturen och exponeringen till fukt. Eftersom bäst före-datumet inte är en garanti på att produkten är säker att använda kan du följa tipsen i nedanstående tabell.

	Produkt	Kylskåp	Freezer (Frys)
Mejeriprodukter	Mjök	1 vecka	1 månad
	Smör	2 veckor	12 månader
	Färskost	2 veckor	Rekommenderas inte
Kött	Färsk stek, biff, kotletter	3–4 dagar	2–3 månader
	Korv, rå av fläsk, nötkött eller kalkon	1–2 dagar	1–2 månader
Fågel / ägg	Färsk fågel	2 dagar	6–8 månader
	Ägg, färska med skal	2–4 veckor	Rekommenderas inte
Fisk / skaldjur	Färsk fisk	1–2 dagar	3–6 månader
	Torkad eller inlagd fisk	3–4 veckor	-
Frukt	Äpplen	1 månad	-
	Övrig färsk frukt	3–5 dagar	9–12 månader
Grönsaker	Sparris	2–3 dagar	-
	Broccoli, brysselkål, gröna ärtor, svamp	3–5 dagar	-
	Kål, blomkål, blekselleri, gurka, sallad	1 vecka	-
	Morötter, rödbetor, rädisor	2 veckor	-

Instruktioner om WEEE



Korrekt kassering av den här produkten (kassering av elektriskt och elektroniskt avfall)
(Gäller i länder med separata insamlingsystem)

Den här märkningen på produkten, tillbehör eller litteratur indikerar att produkten och de elektroniska tillbehören (t.ex. laddare, headset, USB-kabel) ska inte kasseras med annat hushållsavfall vid slutet av livslängden. För att undvika eventuell skada på miljön eller människors hälsa på grund av okontrollerad avfallskassering, ska du skilja dessa artiklar åt från andra typer av avfall och återvinna dem på ett ansvarsfullt sätt för att främja hållbar återanvändning av materialresurser.

Hushållsanvändare bör kontakta endera återförsäljaren där de köpte produkten, eller den lokala myndigheten, för information om var och hur de kan ta de här artiklarna till en miljövänligt säker återvinning.

Företagsanvändare måste kontakta sin leverantör och kontrollera regler och villkor i köpavtalet. Denna produkt och dess elektroniska tillbehör ska inte blandas med annat kommersiellt avfall för kassering.

Information om Samsungs miljöinsatser och regleringskrav för produkter, t. ex. REACH, WEEE och batterier finns på vår hållbarhets sida som du når via www.samsung.com

(Endast för produkter som säljs i europeiska länder och Storbritannien)

Memo

Køleskab

Indbygget apparat

Enkel brugervejledning

- Der findes detaljerede instruktioner om installation og rengøring af apparaterne på Samsungs websted (<http://www.samsung.com>). Gå til Support > Support-startside, og indtast derefter modelnavnet.
- Se mærkaten, der følger med eller sidder på produktet for at se produktets modelnavn.
- Åbn QR-scanningsappen, og scan QR-kodebilledet, der er sidder på produktet. Du kan få adgang til "Produktregistrering", "Vejledning" og "Kundesupport".
- Figurer og illustrationer er kun til reference og kan se anderledes ud end det faktiske produkt. Produktdesign og specifikationer kan ændres uden varsel.



Scan dette med din telefon.

Sikkerhedsinformationer

- Tillykke med dine nye Samsung-apparater. Denne vejledning indeholder vigtige oplysninger om installation, brug og pleje af dine apparater. Læs denne vejledning grundigt, før du tager apparaterne i brug for at sikre, at du ved, hvordan du sikkert og effektivt benytter dig af de funktioner og egenskaber, som dine nye apparater tilbyder.

Vigtige sikkerhedssymboler

Hvad ikonerne og tegnene i denne brugervejledning betyder:



ADVARSEL

Farer eller usikker anvendelse, der kan medføre **alvorlig personskade, dødsfald og/eller materiel skade**.



FORSIGTIG

Farer eller usikker anvendelse, der kan medføre **personsikade og/eller materiel skade**.



Læs instruktionerne

Når du har læst denne vejledning skal du gemme den et sikkert sted til fremtidigt brug.

Læs alle instruktioner, før du bruger apparatet.



BEMÆRK

Supplerende oplysninger, der kan være nyttige

Sikkerhedsinformationer

ADVARSEL

Undladelse af at følge instruktionerne kan resultere i elektrisk stød, skade, brand, nedbrud eller eksplosion.

Vigtige sikkerhedsforholdsregler



ADVARSEL: Risiko for brand/brandbare materialer

1. Dette apparat må ikke anvendes af personer (herunder børn) med nedsatte fysiske, sansemæssige eller mentale færdigheder eller manglende erfaring og viden, medmindre de har fået oplæring eller instruktion vedrørende brug af apparatet af en person, der er ansvarlig for deres sikkerhed.
2. **Til brug i Europa:** Dette apparat kan anvendes af børn på mindst 8 år og af personer med fysiske, sansemæssige eller psykiske handicap eller manglende erfaring og viden, hvis de har fået vejledning eller instruktion vedrørende brug af apparatet på en sikker måde og forstår de farer, brugen indebærer. Børn må ikke lege med apparatet. Rengøring og vedligeholdelse må ikke udføres af børn uden opsyn. Børn i alderen 3 til 8 må gerne fylde og tømme køleskabe.
3. Børn bør overvåges for at sikre, at de ikke leger med apparatet.
4. Hvis strømkablet er beskadiget, skal det udskiftes af producenten, dennes servicerepræsentant eller en tilsvarende kvalificeret person for at undgå fare.
5. Dette apparat indeholder en lille mængde brændbart kølemiddel, isobutan (R-600a). For installation, håndtering, servicering og bortskaffelse af apparatet skal du passe på ikke at beskadige nogen dele af kølekredsløbet.
6. R-600a eller R-134a anvendes som kølemiddel. Tjek kompressormærkatet på bagsiden af apparatet eller mærkatet inde i køleskabet for at se, hvilket kølemiddel anvendes i dit apparat. Hvis dette produkt indeholder brændbar gas (kølemiddel R-600a), skal du kontakte den lokale miljømyndighed for sikker bortskaffelse af dette produkt.

-
7. Undgå at beskadige kølesystemet.
 8. For at undgå at skabe en brændbar blanding af gas og luft, hvis der forekommer en lækage i kølekredsløbet, skal rummet være 1 m³ i størrelse for hver 8 g R-600a kølemiddel, der er i apparatet. Hvis der er tegn på beskadigelse af apparatet skal du apparatets stik ud af stikkontakten, og kontakte forhandleren, hvis du er i tvivl.
 9. Der anvendes cyclopentan i isoleringen. Gasserne i isoleringsmaterialet kræver en særlig bortskaffelsesprocedure. Kontakt dine lokale miljømyndigheder for miljømæssig sikker bortskaffelse.
 10. Stikket skal være nemt at komme til, så strømmen nemt kan tages fra apparatet i en nødsituation.
 11. Sørg for, at strømledningen ikke kommer i klemme eller bliver beskadiget under opstilling af køleskabet.
 12. Placér ikke flere løse strømdåser eller strømforsyninger bag køleskabet.
 13. Dette apparat er beregnet til brug i husholdninger og lignende anvendelser, som f.eks.
 - personalekøkken i butikker, kontorer og andre arbejdsmiljøer
 - landbygninger og til gæster på hoteller, moteller og andre private beboelsesmiljøer
 - bed and breakfast-miljøer
 - catering og lignende ikke-detail-anvendelser.
 14. Hold ventilationsåbninger i apparatets inddækning eller monteringsstrukturen fri for forhindringer.
 15. Undgå at bruge mekaniske enheder eller andre midler til at fremme afrimning, medmindre de er anbefalet af producenten.
 16. Undgå at bruge elektriske apparater inde i apparatets rum til opbevaring af fødevarer, medmindre disse er anbefalet af producenten.
 17. Opbevar ikke flygtige eller brændbare genstande eller substanser i køleskabet.
 - Køleskabet er kun til opbevaring af fødevarer.
 - Dette kan medføre brand eller eksplosion.
 18. Undgå at opbevare eksplosive emner såsom aerosoler med letantændeligt drivmiddel i dette apparat.
 19. For at sikre det mest effektive energiforbrug skal du lade alle de indvendige dele, som f.eks. kurve, skuffer og hylder, blive på den plads, som producenten anbefaler.

Sikkerhedsinformationer

20. Slut kun til drikkevandsforsyningen. (kun relevante modeller)
21. Påfyld kun drikkevand. (kun relevante modeller)
 - Fyld kun drikkevand (mineralvand eller destilleret vand) i vandtanken, isbakken og isterningebakken.
 - Fyld ikke te, juice eller sportsdrik i tanken, da dette kan beskadige køleskabet.
22. Nye slangesæt, der følger med apparatet, skal anvendes, og de gamle slangesæt bør ikke genbruges.
23. Slut kun til drikkevandsforsyning. Vandtryk på 206-861 kPa (30-125 psi) er påkrævet for korrekt drift.
24. Hvis produktet er udstyret med LED-lamper, skal du kontakte et lokalt Samsung-servicecenter eller dets medarbejdere for udskiftning af lamperne.
25. For at undgå kontaminering af mad bør følgende instruktioner overholdes:
 - Hvis døren er åben i længere perioder, kan det medføre en stigning i temperaturen i rummene i apparatet.
 - Rengør regelmæssigt overflader, der kan komme i kontakt med mad og tilgængelige drænsystemer.
 - Rengør vandbeholdere, hvis de ikke har været brugt i 48 timer; skyl vandsystemet, der er sluttet til vandforsyning, igennem, hvis der ikke er trukket vand i 5 dage.
 - Opbevar frisk kød og fisk i egnede beholdere i køleskabet, så der ikke er kontakt med eller så det ikke drypper på andre madvarer.
 - Rum med to stjerner til frossen mad er egnede til at opbevaring af forudfrosset mad, opbevaring eller fremstilling af is og fremstilling af isterninger.
 - Rum med en, to eller tre stjerner er ikke egnede til nedfrysning af frisk mad.
 - Hvis køleskabet skal stå tomt i længere perioder, skal det slukkes, afrimes, rengøres, tørres og døren skal stå åben for at forhindre udvikling af mug i apparatet.
26. Temperaturen i tostjernesektion(er) eller -rum, der er forsynet med tostjernesymbolet (☼☼), er en anelse højere end i andre fryserum.
27. For at undgå fare på grund af ustabilitet af apparatet, skal det fastgøres i overensstemmelse med anvisningerne.



Installation

- Dette apparat må kun transporteres af to eller flere personer, der holder apparatet sikkert fast.
- Installer apparatet på et fast og plant gulv.
- Apparatet må ikke installeres på et fugtigt og støvet sted. Apparatet må ikke installeres eller opbevares udenørs eller i et område, der er udsat for vejrforhold som direkte sollys, vind, regn eller temperaturer under frysepunktet.
- Apparatet må ikke placeres i direkte sollys eller udsættes for varme fra varmeapparater som f.eks. komfurer eller varmeapparater.
- Pas på ikke at blotte bagsiden af apparatet, når du installerer det.
- Installer apparatet på et sted, hvor det er nemt at tage stikket ud af stikkontakten.
- Pas på, at apparatets dør ikke falder ned under monteringen eller afmonteringen.
- Pas på ikke at klemme, knuse eller beskadige strømkablet under montering eller afmontering af apparatets dør.
- Pas på, at stikket ikke peger opad, og at apparatet ikke læner sig mod stikket.
- Tilslut ikke en stikadapter eller andet tilbehør til strømkablet.
- Strømkablet må ikke ændres eller forlænges.
- Sørg for, at stikkontakten er korrekt jordet, og at jordstikket på netledningen ikke er beskadiget eller fjernet fra stikket. Du kan få flere oplysninger om jordforbindelse ved at henvende dig til et Samsung Electronics-servicecenter.
- Dette apparat er udstyret med en netledning med jordforbindelse og et jordforbundet stik. Strømkablet skal sættes i en passende stikkontakt, der er installeret og jordforbundet i overensstemmelse med alle lokale regler og forordninger.
- Undgå at starte et apparat, der viser tegn på beskadigelse. Kontakt din forhandler, hvis du er i tvivl.
- Tilslut ikke apparatet til en multistikadapter, som ikke har et strømkabel (monteret).
- Apparatet skal tilsluttes en dedikeret strømledning, som er separat sikret.
- Brug ikke en multistikdåse, der ikke er korrekt jordet (bærbar). Hvis du bruger en korrekt jordet multistikdåse (bærbar), skal du bruge en stikdåse med strømkapacitet svarende til ledningens klassificering eller højere, og du må kun bruge multistikdåsen til apparatet.
- Bortskaf alle emballagematerialer (såsom plasticposer og styroform) utilgængeligt for børn. Emballagematerialerne kan forårsage kvælning.

Betjening

FORSIGTIG

For at reducere risikoen for mindre personskader, funktionsfejl eller skader på produktet eller ejendom, når du bruger dette produkt, skal du følge de grundlæggende forholdsregler, herunder følgende:

- Pas på børn i nærheden, når du åbner eller lukker apparatets dør. Døren kan støde ind i barnet og forårsage skade.
- Undgå faren for, at børn bliver fanget inde i apparatet. Et barn, der er fanget inde i apparatet, kan blive kvalt. Rør ikke ved frosne madvarer eller metaldele i fryserummet med våde eller fugtige hænder. Det kan give forfrysninger.
- Anbring ikke glasbeholdere, flasker eller dåser (især dem, der indeholder kulstyreholdige drikke) i fryserummet, på hylderne eller i isbeholderen, hvis de udsættes for temperaturer under frysepunktet.
- Det hærdede glas på forsiden af apparatets låge eller selve lågen kan blive beskadiget af et slag. Hvis det er i stykker. Rør ikke ved det med hænderne.
- Hæng ikke i apparatets døre, opbevaringsrum, hylder, og undlad at kravle op i det.
- Opbevar ikke for mange vandflasker eller beholdere til tilbehør i dørkurvene.
- Åbn eller luk ikke apparatets dør med overdreven kraft.
- Hvis hængslet på apparatets dør er beskadiget eller ikke fungerer korrekt, skal du holde op med at bruge apparatet og kontakte et autoriseret servicecenter.
- Forhindr dyr i at gnave i strømkablet eller vandslangen.
- Spis aldrig frosne fødevarer umiddelbart efter, at de er taget ud af fryserummet.
- Sørg for ikke at få en hånd eller fod i klemme, når du åbner eller lukker apparatets dør eller døren i døren.

Vedligeholdelse

- Rengør ikke glashylder eller låger med varmt vand, når de er kolde. De kan gå i stykker, hvis de udsættes for pludselige temperaturændringer.
- Indsæt ikke hylderne, så de vender på hovedet. Hylderne kan falde ned.
- For at fjerne frost fra apparatet skal du kontakte et Samsung Electronics-servicecenter.
- Bortskaf isen i isbeholderen i fryserummet under en længere strømafbrydelse.



Sikkerhedsinformationer

Overensstemmelseserklæring

Samsung erklærer hermed, at dette radioudstyr er i overensstemmelse med Direktiv 2014/53/EU og med de relevante lovmæssige krav i Storbritannien. Den fulde tekst af EU-overensstemmelseserklæringen og overensstemmelseserklæringen for Storbritannien er tilgængelig på følgende internetadresse: Den officielle overensstemmelseserklæring kan findes på <http://www.samsung.com>, gå til Support > Search Product Support og indtast modelnavnet.

⚠ FORSIGTIG (kun relevant for Family Hub-typen)

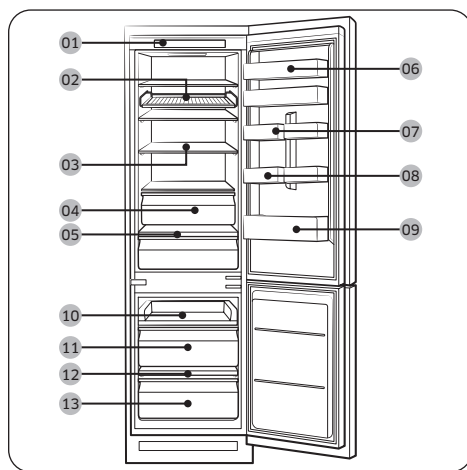
Funktionen 5 GHz WLAN på dette udstyr kan kun bruges indendørs. Udstyret må betjenes i alle EU-lande og i Storbritannien.

	Frekvensområde	Sendestyrke (maks.)
Wi-Fi	2412-2472 MHz	20 dBm
	5120-5250 MHz	23 dBm
	5250-5350 MHz	20 dBm
	5470-5725 MHz	27 dBm
Bluetooth	2402-2480 MHz	20 dBm

Installation

Overblik over køleskabet

Det faktiske køleskab og de medfølgende komponenter afviger muligvis fra illustrationerne i denne vejledning. Det afhænger af model og land.



- 01 Betjeningspanel
 - 02 Vinhylde *
 - 03 Køleskabshylde *
 - 04 Køleskabsskuffe *
 - 05 Grøntsagshylde *
 - 06 Øverste hylde *
 - 07 Hylde til forskelligt
 - 08 Æggebakke *
 - 09 Køleskabshylde
 - 10 Flytbar hylde
 - 11 Midterste fryserkuffe
 - 12 Fryserhylde *
 - 13 Nederste fryserkuffe
- * kun relevante modeller

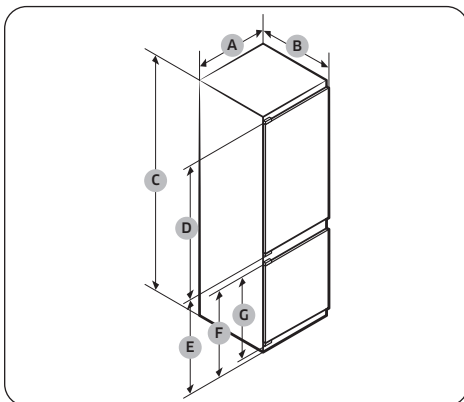
ⓘ BEMÆRK

- For at opnå den bedste energieffektivitet skal du sørge for, at alle hylder, skuffer og kurve er placeret i deres oprindelige position.
- Kun til modeller med fryserhylde:
 - Brug fryseren, efter den nederste skuffe i fryseren er fjernet, til hurtigt at fryse store mængder af madvarer.
 - Du kan få mere plads ved at fjerne den flytbare hylde (10) og de to fryserkuffer (11,13) under den, men flyt ikke fryserhylden på fryserens nederste skuffe. De påvirker ikke de termiske og mekaniske egenskaber. Den opgivne opbevaringsvolumen til opbevaring af frosne fødevarer er beregnet med hylde og fryserkufferne fjernet.

Frihøjde

Se følgende figurer og tabeller for pladskrav ved installation.

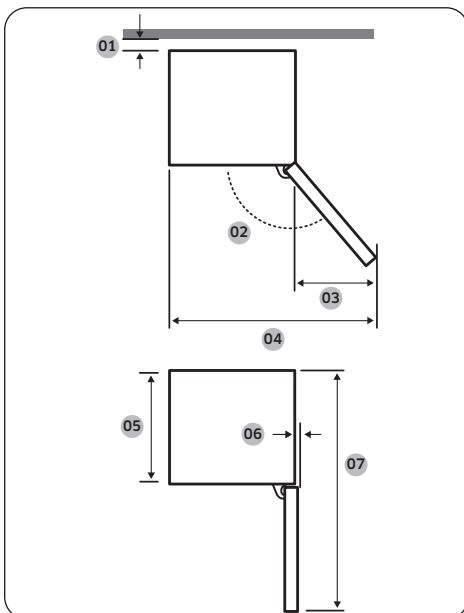
Produktmål



	BRB***26*	BRB***30*
A	540±2	540±2
B	550±2 (med dør)	550±2 (med dør)
C	1775±2	1935±2
D	987	1147
E	735	735
F	671	671
G	621	621

(enhed:mm)

Produktets overordnede dimensioner



Model	BRB*****S0 FLYTBAR TYPE	BRB*****F0 FASTGJORT TYPE
01*	10 (Min.) / 30 (anbefales)	
02	95° (anbefales)	115° (anbefales)
03	218	180
04	758	700
05	510	510
06	1	5
07	1055	1055

* 01: Fra kabinettet til bagside af produktet.

(enhed:mm)

BEMÆRK

- Det specificerede energiforbrug er baseret på det forhold, at der er et mellemrum på 10 mm fra kabinettet til bagsiden af produktet. Produktet vil fungerer korrekt, selv hvis mellemrummet er mindre end 10 mm, men det vil forbruge en anelse mere energi.
- Vi anbefaler, at du bruger et kabinet, der er 18 mm tykt med hængsler, som er mindre end 20 mm tykke.

BEMÆRK

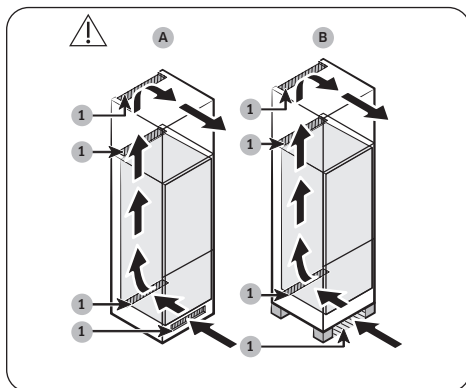
- Målene i ovennævnte tabel kan afvige, afhængig af målemetoden.
- Se Installationsvejledningen for indbygget installation.

Installation

Kabinettets ventilationsystem

Som vist på figuren cirkulerer den luft, der kommer ind i køleskabet, langs kabinettets ventilationssti (se pilens retning). Kabinettet skal have mindst 200 cm² (B x H: 500 mm x 40 mm) plads både til luftindtag og til luftudtag. Kabinettet skal desuden have en ventilationsåbning på mindst 200 cm² (B x H: 500 mm x 40 mm) nederst bagpå.

Luftindtag

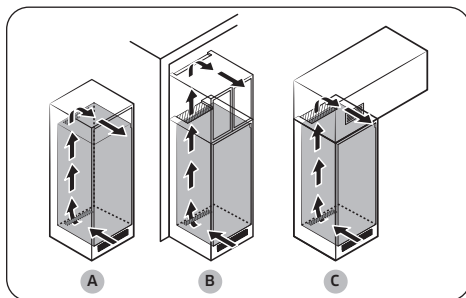


1	200 cm ²
---	---------------------

Luftindtaget skal være placeret som i et af eksemplerne herunder, eller i en lignende position, afhængigt af din kabinettype.

- A. Et ventilationshul er inkluderet i kabinettet.
- B. Et kabinet med fødder.

Luftudtag



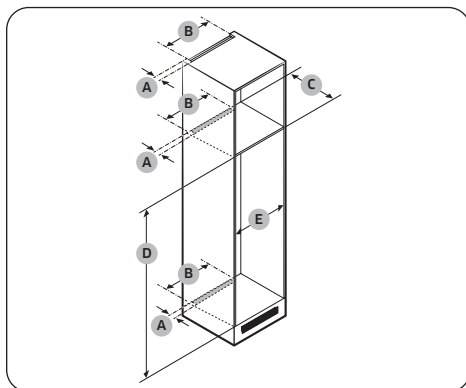
Luftudtaget skal være placeret som i et af eksemplerne herunder, eller i en lignende position, afhængigt af din kabinettype.

- A. Umiddelbart over køleskabet via en valgfri ventilationsåbning
- B. Tæt på kabinettets loft
- C. Over køleskabet med en separat, indbygget ventilationsåbning

⚠ FORSIGTIG

Uanset kabinetdesign må luftventilationssystemet ikke blokeres af nogen form for installation.

Kabinetmål



⚠ FORSIGTIG

Hvis der er dør i kabinettet, skal du kontrollere, at døren ikke er tung, så den vipper eller falder af.

Kabinetdør	Tykkelse (mm)	Vægt (kg)
Side i køleskab	Min. 16	Maks. 18
Side i fryser	Maks. 19	Maks. 12

Garantien dækker ikke produktfejl, der er forårsaget af nedenstående.

1. Forkerte mål på placeringsstedet eller forkerte kabinetstørrelser
2. Defekt kabinet
3. Fejl udført af installatør eller bruger

Frihøjde

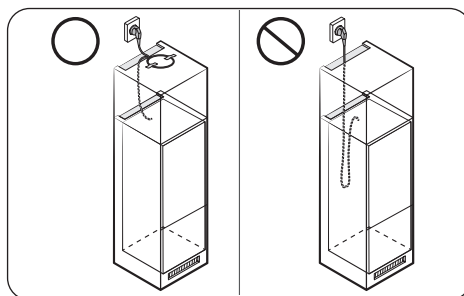
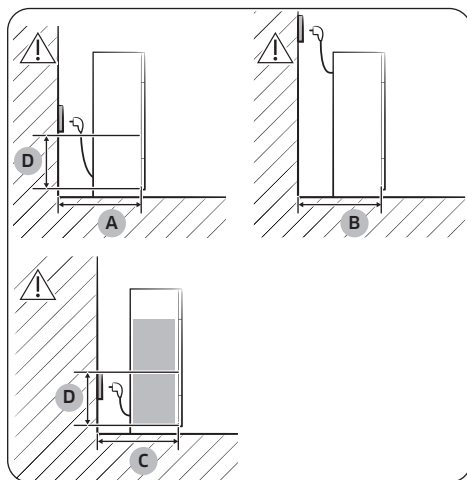
Se billederne og tabellen herunder for pladskrav til installation.

Model		A (mm)	B (mm)	C (mm)	D (mm)	E (mm)	Bemærkning
BRB***26**S0 FLYTBAR TYPE	Min.	40	500	560	1778	560	
	Anbefalet			580	1780	562	
	Maks.			-	1782	568	
BRB***26**F0 FASTGJORT TYPE	Min.			560	1778	555	Hængsel: 17 mm
	Anbefalet			580	1780	562	
	Maks.			-	1782	568	
BRB***30**S0 FLYTBAR TYPE	Min.	40	500	560	1938	560	
	Anbefalet			580	1940	562	
	Maks.			-	1942	568	
BRB***30**F0 FASTGJORT TYPE	Min.			560	1938	555	Hængsel: 17 mm
	Anbefalet			580	1940	562	
	Maks.			-	1942	568	

BEMÆRK

- Hvis kabinettet er bredere end 568 mm, kan pakningen (mellem køleskabet og kabinettet) løsne sig.
- Hvis kabinettet er højere end de maksimale dimensioner (1782 mm), skal du bruge andre materialer til udfyldning af mellemrummet.

Overvejelser om placering af strømledning og nødvendig plads



A	Min. 590
B	Min. 560
C	Min. 580
D	240

(enhed:mm)

BEMÆRK

Hvis du installerer køleskabet i et kabinet med en dybde på 560 mm, skal du sørge for, at strømledningen arrangeres på siden af køleskabet, før du stikker den i stikkontakten. Hvis strømledningen er i nærheden af køleskabet kan det reducere energieffektiviteten.

Vedligeholdelse

Rengøring

Indvendigt og udvendigt

ADVARSEL

- Brug ikke benzen, fortynder, eddike, flydende blegemiddel, bagepulver, citronsyreholdige midler, saltblandinger eller rengøringsmidler til hjemmet/bilen, f.eks. Clorox™, til rengøring. De kan ødelægge køleskabets overflade og medføre brand.
- Sprøjt ikke vand på køleskabet. Dette kan medføre et elektrisk stød.

Brug regelmæssigt en tør klud til at fjerne alle fremmede stoffer, såsom støv eller vand, fra strømkablet og kontaktpunkter.

1. Træk strømkablet ud af stikkontakten.
2. Brug en fugtig, blød, fnugfri klud eller køkkenrulle til at rengøre køleskabet ind- og udvendigt.
3. Når du er færdig, skal du ligeledes bruge en tør klud eller køkkenrulle.
4. Sæt strømkablet i.

LED-lamper

Kontakt et lokalt Samsung-servicecenter for at få dem udskiftet.

ADVARSEL

Lamperne er ikke brugerservicerbare. Forsøg ikke selv på at udskifte lampen. Dette kan medføre risiko for elektrisk stød.

Lampe (lyskilde)

Dette produkt indeholder en energieffektiv lyskilde i klasse <G>.

Lampe(r) og/eller styreapparat(er) kan ikke serviceres af brugeren.

Kontakt et lokalt Samsung-servicecenter for at udskifte lampe(r) og/eller styreapparat(er).

Der findes detaljerede instruktioner om udskiftning af lampe(r) eller styreapparat(er) til dit produkt på Samsungs websted (<http://www.samsung.com>). Gå til Support > Support-startside, og indtast derefter modelnavnet.

Hvis du ønsker detaljerede instruktioner om afmontering af lampe(r) og/eller styreapparat(er), skal du følge instruktionerne til udskiftning som anført ovenfor.

Tillæg

Oplysninger om model og bestilling af reservedele

Modeloplysninger

For at få adgang til oplysninger om energimærkning for dette produkt i European Product Registry for Energy Labelling (EPREL) skal du scanne QR-koden på energimærket.

Du kan finde QR-koden på energimærket i din produktæske.

Deloplysninger

- Den mindste periode, som reservedele, der er nødvendige for at reparere apparatet, er tilgængelige
 - 7 år termostater, temperatursensorer, trykte kredsløbskort og lyskilder, dørhåndtag, dørhængsler, bakker, kurve (bokse eller skuffer)
 - 10 år dørpakninger
- Den mindste varighed af kølingsapparatet, som tilbydes af producenten, er 24 måneder.
- Relevante oplysninger til bestilling af reservedele direkte eller gennem andre kanaler, leveres af producenten, importøren eller en autoriseret repræsentant
- Du kan finde professionelle reparationsoplysninger på <http://samsung.com/support>.
- Du kan finde brugerservicemanualen på <http://samsung.com/support>.

Installationsvejledning

Til kølingsapparater med klimaklasser

- Afhængig af klimaklassen er dette kølingsapparat beregnet til at blive brugt ved et omgivende temperaturområde, som angivet i følgende tabel.
- Klimaklassen kan findes på mærkepladen. Produktet fungerer muligvis ikke korrekt ved temperaturer uden for det angivne område.
- Du kan finde klimaklassen på etiketten inde i dit køleskab

Effektivt temperaturinterval

Køleskabet er designet til at fungere normalt under det temperaturinterval, der er specificeret af dets klasserating.

Klasse	Symbol	Omgivende temperaturområde (°C)	
		IEC 62552 (ISO 15502)	ISO 8561
Udvidet tempereret	SN	+10 til +32	+10 til +32
Tempereret	N	+16 til +32	+16 til +32
Subtropisk	ST	+16 til +38	+18 til +38
Tropisk	T	+16 til +43	+18 til +43

BEMÆRK

Køleskabets køleevne og strømforbrug kan blive påvirket af den omgivende temperatur, hvor ofte døren åbnes og placeringen af køleskabet. Vi anbefaler justering af temperaturindstillinger efter behov.

Temperaturvejledning

Anbefalet temperatur

Den optimale temperaturindstilling til opbevaring af mad:

- Køleskab: 3 °C
- Fryser: -19 °C

BEMÆRK

Den optimale temperaturindstilling for hvert rum afhænger af omgivelsestemperaturen. Ovenstående optimale temperatur er baseret på en omgivende temperatur på 25 °C.

Hurtigkøling

Hurtigkøling fremskynder køleprocessen ved maksimal ventilatorhastighed. Køleskabet bliver ved at køre ved fuld hastighed i to en halv time og returnerer derefter til den tidligere temperatur.

Hurtigfrysning

Hurtigfrysning fremskynder frysingsprocessen ved maksimal ventilatorhastighed. Fryseren bliver ved at køre ved fuld hastighed i 50 timer, og returnerer derefter til den tidligere temperatur. Du kan fryse store mængder madvarer ved at aktivere Hurtigfrysning i mindst 20 timer, før du lægger madvarer i fryseren.

BEMÆRK

Når du bruger denne funktion, stiger køleskabets energiforbrug. Husk at slå den fra, når du ikke har brug for den, og stil fryseren til den oprindelige temperaturindstilling.

Tillæg

Sådan opbevarer du mad for at få den bedste holdbarhed (kun relevante modeller)

Afdæk fødevarer for at bevare fugt og forhindre dem i at absorbere dufte fra andre fødevarer. En stor grydefuld mad, som f.eks. suppe eller en gryderet skal opdeles i mindre portioner, og puttes i lave beholdere før placering i køleskabet. En stor udkæring af kød eller en hel fugl skal opdeles i mindre stykker eller placeres is lave beholdere før placering i køleskab.

Placering af fødevarer

Hylde	Hyldeerne skal kunne justeres for at kunne rumme pakker af forskellige størrelser.
Specielle rum (kun relevante modeller)	Forseglet frugt- og grøntsuffe giver et optimalt opbevaringsmiljø for frugt og grøntsager. Grøntsager kræver højere fugtighedsforhold, mens frugt kræver lavere fugtighedsforhold. Frugt- og grøntsuffer er udstyret med kontrolenheder til at styre fugtighedsniveauet. (* Afhængigt af model og tilvalgsmuligheder) En kødsuffe med justerbar temperatur maksimerer opbevaringstiden for kød og oste.
Opbevaring i døren	Opbevar ikke fordærvelige fødevarer i døren. Æg skal opbevares i æggebakken på en hylde. Temperaturen i beholderne i døren svinger mere end temperaturen i selve køleskabet. Hold døren lukket så meget som muligt.
Fryserrum	Du kan opbevare frossen mad, lave isterninger og nedfryse frisk mad i fryserummet.



BEMÆRK

Frys kun friske fødevarer i god stand. Hold fødevarer, der skal fryses, borte fra fødevarer, der allerede er frosset. Kom fødevarer i lufttætte beholdere. Så forhindrer du, at de mister smagen eller tørrer ud.

Opbevaringsoversigt for køleskab og fryser

Hvor længe fødevarer holder sig friske afhænger temperatur og udsættelse for fugt. Da produktionsdatoer ikke er en vejledning til sikker brug af et produkt, kan du se i denne oversigt og følge anbefalingerne.

Produkt		Køleskab	Fryser
Mælkeprodukter	Mælk	1 uge	1 måned
	Smør	2 uger	12 måneder
	Smøreost	2 uger	Anbefales ikke
Kød	Ferske stege, steaks, koteletter	3-4 dage	2-3 måneder
	Pølser, rå fra gris, okse, kalkun	1-2 dage	1-2 måneder
Fjerkræ / æg	Fersk fjerkræ	2 dage	6-8 måneder
	Æg, friske i skal	2-4 uger	Anbefales ikke
Fisk / skaldyr	Frisk fisk	1-2 dage	3-6 måneder
	Tørrede eller syltede fisk	3-4 uger	-
Frugt	Æbler	1 måned	-
	Anden frisk frugt	3-5 dage	9-12 måneder
Grøntsager	Asparges	2-3 dage	-
	Broccoli, rosenkål, grønne ærter, svampe	3-5 dage	-
	Kål, blomkål, selleri, agurker, salat	1 uge	-
	Gulerødder, røer/rødbeder, radiser	2 uger	-

Instruktioner vedrørende affald fra elektrisk og elektronisk udstyr



Korrekt bortskaffelse af dette produkt (Waste Electrical & Electronic Equipment – affald fra elektrisk og elektronisk udstyr)
(Gælder i lande med systemer til affaldssortering)

Denne mærkning på produktet, på tilbehør eller i manualen betyder, at produktet og elektronisk tilbehør hertil (f.eks. oplader, headset og USB-kabel) ikke må bortskaffes sammen med almindeligt husholdningsaffald efter endt levetid. For at forebygge skadelige virkninger på menneskers helbred eller miljøet fra ukontrolleret affaldsbortskaffelse skal disse genstande bortskaffes adskilt fra andre typer af affald og indleveres på en genbrugsplads med henblik på genindvinding.

Forbrugere bedes kontakte forhandleren, hvor de har købt produktet, eller kommunen for nærmere oplysning om, hvor og hvordan de kan indlevere produkt og tilbehør med henblik på miljøvenlig genindvinding.

Virksomheder bedes kontakte leverandøren og følge anvisningerne i købekontrakten. Dette produkt og elektronisk tilbehør hertil må ikke bortskaffes sammen med andet erhvervsaffald.

Der findes oplysninger om Samsungs miljømæssige forpligtelser og produktspecifikke lovæssige forpligtelser som f.eks. REACH, WEEE eller batterier, på vores side om bæredygtighed, som er tilgængelig via www.samsung.com

(Gælder kun for produkter, der sælges i europæiske lande og i Storbritannien)

Notat

Kjøleskap

Innebyggd apparat

Enkel brukerhåndbok

- For detaljerte instruksjoner om hvordan du installerer og rengjør apparatene, kan du gå til Samsung-nettstedet (<http://www.samsung.com>) gå til Support > Support home, og angi modellnavnet.
- For å se produktets modellnavn kan du se etiketten som følger med produktet, eller som er festet på det.
- Åpne en app som kan skanne QR-koder, og skann QR-kodebildet som er festet på produktet. Du kan få tilgang til produktregistrering, håndbok og kundestøtte.
- Figurene og illustrasjonene er bare til referanse og kan avvike fra det faktiske produktets utseende. Produktets design og spesifikasjoner kan endres uten forvarsel.



Skann dette med telefonen din.

Sikkerhetsinformasjon

- Gratulerer med det nye Samsung-apparatet ditt. Denne håndboken inneholder viktig informasjon om installasjon, bruk og pleie av apparatene dine. Les denne håndboken grundig før du bruker apparatene, for å forsikre deg om at du vet hvordan du bruker funksjonene på det nye apparatet ditt på en trygg og god måte.

Viktige sikkerhetssymboler

Hva ikonene og tegnene i denne brukerhåndboken betyr:



ADVARSEL

Farer eller utrygg praksis som kan føre til **alvortlige personskader, død og/eller materielle skader**.



FORSIKTIG

Farer eller utrygg praksis som kan føre til **personskader og/eller materielle skader**.



Les instruksjonene

Etter at du har lest denne håndboken, bør du oppbevare den på et trygt sted for fremtidig bruk. Les alle instruksjoner før du bruker apparatet.



MERK

Ekstrainformasjon som kan være nyttig

Sikkerhetsinformasjon

ADVARSEL

Hvis du ikke følger instruksjonene, kan det føre til elektrisk støt, personskade, brann, driftsfeil eller eksplosjon.

Viktige sikkerhetsforholdsregler



ADVARSEL: risiko for brann / brennbare materialer

1. Dette apparatet er ikke beregnet for å brukes av personer (inkludert barn) med svekkede fysiske, sensoriske eller mentale evner, eller som mangler relevant erfaring og kunnskap, med mindre de er under oppsyn eller får opplæring av en person som er ansvarlig for deres sikkerhet.
2. **For bruk i Europa:** Dette apparatet kan brukes av barn fra 8 års alder og av personer med fysiske, sensoriske eller psykiske funksjonshemminger eller manglende erfaring og kunnskaper, så lenge de har fått instruksjoner i hvordan apparatet kan brukes på en sikker måte og forstår hvilke risikoer som er forbundet med bruk av apparatet. Barn må ikke leke med apparatet. Rengjøring og vedlikehold må ikke utføres av barn uten tilsyn. Barn mellom 3 til 8 år kan ta tillates å ta varer inn og ut av kjøleskap.
3. Barn må ha tilsyn for å sikre at de ikke leker med apparatet.
4. Hvis ledningen er skadet, må den skiftes ut av produsenten eller en servicetekniker eller andre kvalifiserte personer for å unngå farer.
5. Dette apparatet inneholder en liten mengde brennbar isobutankjølevæske (R-600a). For installasjon, håndtering, service og kassering av apparatet må du være forsiktig slik at ingen deler av kjølevæskekreten blir skadet.
6. R-600a eller R-134a brukes som kjølevæske. Kontroller kompressoretiketten på baksiden av apparatet eller etiketten på innsiden av kjøleskapet for å se hvilken kjølevæske som brukes i ditt apparat. Når dette produktet inneholder brannfarlig gass (kjølevæske R-600a), bør du kontakte de lokale myndighetene for å forhøre deg om trygg avhending av dette produktet.
7. Ikke skad kjølevæskekreten.

-
8. For å unngå at det dannes en brannfarlig gassblanding i lufta hvis det oppstår en lekkasje i kjølemiddelkretsen, må romstørrelsen være 1 m³ per 8 g med R-600a-kjølemiddel inni apparatet. Og hvis apparatet viser noen tegn til skade, må du koble det fra og snakke med forhandleren hvis du er i tvil.
 9. Syklopentan brukes i isolasjonen. Gassene i isolasjonsmaterialet krever en spesiell avhendingsprosedyre. Kontakt lokale myndigheter for miljøvennlig kassering.
 10. Vegguttaket må være lett tilgjengelig slik at apparatet raskt kan frakobles strømforsyningen ved nødstilfeller.
 11. Når apparatet settes på plass, skal du påse at strømledningen ikke er fastklemt eller ødelagt.
 12. Ikke plasser skjøteledninger eller grenuttak bak apparatet.
 13. Dette apparatet er tiltenkt brukt i husholdninger og i andre lignende bruksområder, for eksempel
 - kjøkkenområder for ansatte i butikker, på kontorer og i andre arbeidsmiljøer,
 - våningshus og av kunder på hoteller, moteller og andre miljøer som brukes til boligformål,
 - pensjonater og lignende,
 - catering og andre bruksområder som ikke kommer inn under varehandel.
 14. Sørg for at ventilasjonsåpningene i apparatets kabinett eller den innebygde strukturen er plassert slik at ingenting hindrer åpningen.
 15. Ikke bruk mekaniske enheter eller andre metoder for å fremskynde avisingsprosessen med mindre det anbefales av produsenten.
 16. Ikke bruk elektriske apparater inni matoppbevaringsrommene i apparatet med mindre de er av typen som anbefales av produsenten.
 17. Ikke oppbevar flyktige eller brannfarlige objekter eller elementer i kjøleskapet.
 - Dette kjøleskapet skal bare brukes til å oppbevare mat.
 - Dette kan føre til brann eller eksplosjon.
 18. Ikke oppbevar eksplosive væsker som spraybokser med brannfarlig materiale i dette apparatet.
 19. Mest effektiv bruk av energien får du ved å la alle indre deler, for eksempel kurver, skuffer og hyller, være i samme posisjon som fra produsenten.

Sikkerhetsinformasjon

20. Koble bare til en vannforsyning med drikkbart vann. (kun gjeldende modeller)
21. Fyll bare på med drikkbart vann. (kun gjeldende modeller)
 - Vanntanken, isskuffen og vannterningene må bare fylles med drikkbart vann (mineralvann eller rensset vann).
 - Ikke fyll tanken med te, juice eller sportsdrikk da dette kan skade kjøleskapet.
22. Nye slangesett som følger med apparatet, skal brukes, og gamle slangesett må ikke brukes på nytt.
23. Koble til en vannforsyning med drikkevann. Et vanntrykk på 206–861 kPa(30–125 psi) kreves for riktig drift.
24. Hvis produktet er utstyrt med LED-lamper, må du kontakte et lokalt Samsung-servicesenter eller en agent der for å få skiftet ut lampene.
25. For å unngå at matvarer blir forurenset, skal følgende instruksjoner overholdes:
 - Om døren står åpen over lengre tid, kan dette forårsake en betraktelig temperaturøkning i kamrene til apparatet.
 - Rengjør regelmessig overflater som kommer i kontakt med matvarer og tilgjengelige dreneringssystemer.
 - Rengjør vanntanker hvis de ikke har vært i bruk over 48 timer, spyl ut vannsystemet som er tilkoblet en vannforsyning hvis det ikke har trukket ut vann i de siste 5 dagene.
 - Oppbevar rått kjøtt og rå fisk i egnede beholdere i kjøleskapet slik at de ikke kommer i kontakt med eller drypper på andre matvarer.
 - Kamre for frossen mat markert med to stjerner er egnet for oppbevaring av forhåndsnedfrysede matvarer, oppbevaring eller lagring av iskrem og for å lage isbiter.
 - Kamre markert med én, to eller tre stjerner er ikke egnet for nedfrysning av ferske matvarer.
 - Hvis kjøleskapet står tomt over lengre tid, slår du det av, tiner, rengjør og tørker det, la døren stå åpen for å unngå muggdannelse i apparatet.
26. Temperaturen til en del (deler) med to stjerner eller rom som har to stjerners symbolet (❄️❄️) er noe høyere enn andre fryserdeler.
27. For å unngå farer knyttet til at apparatet er ustabil, må det festes i henhold til instruksjonene.



Installasjon

- Dette apparatet skal bare transporteres av to eller flere personer som holder apparatet sikkert.
- Installer apparatet på et fast og jevnt gulv.
- Ikke installer apparatet på et fuktig og støvete sted. Ikke installer eller oppbevar apparatet i et utendørsområde, eller et område som er utsatt for værforhold som direkte sollys, vind, regn eller temperaturer under frysepunktet.
- Ikke plasser apparatet i direkte sollys eller utsett det for varme fra varmeapparater som komfyrer eller varmeovner.
- Vær forsiktig så du ikke eksponerer baksiden av apparatet når du installerer.
- Installer apparatet på et sted hvor det er enkelt å trekke ut støpselet til apparatet.
- Vær forsiktig så du ikke lar apparatdøren falle ned under montering eller demontering.
- Vær forsiktig så du ikke klemmer eller skader strømledningen under montering eller demontering av apparatdøren.
- Vær forsiktig så du ikke retter støpselet opp eller lar apparatet lene seg mot støpselet.
- Ikke koble en støpseladapter eller annet tilbehør til støpselet.
- Ikke modifier eller forleng strømkabelen.
- Sørg for at stikkkontakten er riktig jordet, og at jordpinnen på strømledningen ikke er skadet eller fjernet fra støpselet. For mer informasjon om jording, kan du ta kontakt med Samsung Electronics servicesenter.
- Dette apparatet er utstyrt med en strømledning med en utstyrsjordsleder og en jordet strømplugg. Støpselet må kobles til en passende stikkontakt som er installert og jordet i samsvar med alle lokale forskrifter og forskrifter.
- Start aldri et apparat som viser tegn på skade. Kontakt forhandleren hvis du er i tvil.
- Ikke koble apparatet til en adapter med flere stikkontakter som ikke har en strømkabel (montert).
- Apparatet skal kobles til en dedikert strømledning som er separat sikret.
- Ikke bruk et grenuttak som ikke er riktig jordet (bærbart). Hvis du bruker et riktig jordet stikkontakt med flere kontakter (bærbart), bruker du grenuttaket med den gjeldende kapasiteten til strømledningen eller høyere og bruker grenuttaket kun for apparatet.
- Kasser alt emballasjemateriale (som plastposer og isopor) unna barn. Emballasjen kan forårsake kvelning.

Bruk

FORSIKTIG

For å redusere risikoen for mindre personskade, funksjonsfeil eller skade på produktet eller eiendom når du bruker dette produktet, følger du grunnleggende forholdsregler, inkludert følgende:

- Vær forsiktig med barn i nærheten når du åpner eller lukker apparatdøren. Døren kan komme borti barnet og forårsake skade.
- Unngå faren for at barn blir sittende fast i apparatet. Et barn som sitter fast i apparatet kan forårsake kvelning. Ikke berør frossen mat eller metalldelene i fryseseksjonen med våte eller fuktige hender. Det kan forårsake frostskafer.
- Ikke plasser glassbeholdere, flasker eller bokser (spesielt de som inneholder kullsyreholdige drikker) i fryserdelen, hyllene eller isboksen som vil bli utsatt for temperaturer under frysepunktet.
- Det herdede glasset på forsiden av apparatdøren eller hyllene kan bli skadet av et slag. Hvis det er ødelagt. Ikke berør det med hendene.
- Ikke heng fra apparatdørene, oppbevaringsrommet, hyllene eller klatre opp i det.
- Ikke oppbevar for mange vannflasker eller beholdere for sideretter i dørkurvene.
- Ikke åpne eller lukk apparatdøren med overdreven kraft.
- Hvis hengslet på apparatdøren er skadet eller fungerer feil, skal du slutte å bruke apparatet og kontakt et autorisert servicesenter.
- Unngå at dyr biter i strømkabelen eller vannslangen.
- Spis aldri frossen mat umiddelbart etter at den er tatt ut i fryserdelen.
- Pass på at du ikke setter en hånd eller fot fast når du åpner eller lukker apparatdøren eller døren i døren.

Vedlikehold

- Ikke rengjør glasshyller eller deksler med varmt vann når de er kalde. De kan knuses hvis de utsettes for plutselige temperaturendringer.
- Ikke sett inn hyllene opp ned. Hyllene kan falle.
- For å fjerne frost fra apparatet, kontakter du et Samsung Electronics servicesenter.
- Kast isen inne i isboksen i fryserdelen under et lengre strømbrydd.



Sikkerhetsinformasjon

Offisiell samsvarserklæring

Herved erklærer Samsung at dette radioutstyret overholder bestemmelsene i Direktiv 2014/53/EU og de relevante lovbestemte kravene i Storbritannia.

Den fullstendige teksten for EUs samsvarserklæring og Storbritannias samsvarserklæring er tilgjengelig via følgende internettadresse: Du finner den offisielle samsvarserklæringen på <http://www.samsung.com> ved å gå til Support > Søk Produkt og legge inn modellnavnet.

FORSIKTIG (Gjelder kun for Family Hub-typen)

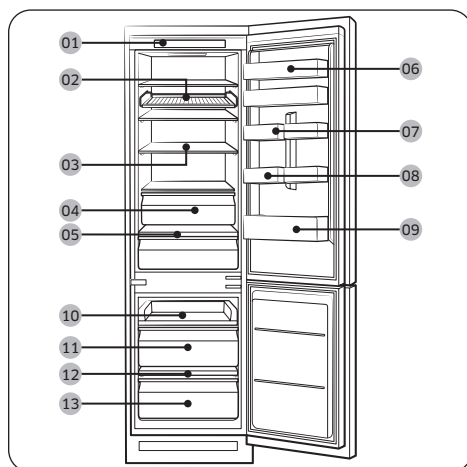
5 GHz WLAN-funksjonen i dette utstyret kan bare brukes innendørs. Dette utstyret kan brukes i alle EU-land og i Storbritannia.

	Frekvensområde	Overføringseffekt (maks.)
Wi-Fi	2412–2472 MHz	20 dBm
	5120–5250 MHz	23 dBm
	5250–5350 MHz	20 dBm
	5470–5725 MHz	27 dBm
Bluetooth	2402–2480 MHz	20 dBm

Installasjon

Kort om kjøleskapet

Det faktiske kjøleskapet og dets medfølgende bestanddeler kan variere noe fra de som beskrives i denne håndboken, avhengig av modell og land.



- 01 Kontrollpanel
 - 02 Vinstativ *
 - 03 Kjøleskapshylle *
 - 04 Kjøleskapskuff *
 - 05 Grønnsakshylle *
 - 06 Øvre beskytter *
 - 07 Variasjonsbeskyttelse
 - 08 Eggeskuff *
 - 09 Kjøleskapsbeskyttelse
 - 10 Skyvehylle
 - 11 Midtre fryserkuff
 - 12 Fryserhylle *
 - 13 Nederste fryserkuff
- * kun gjeldende modeller

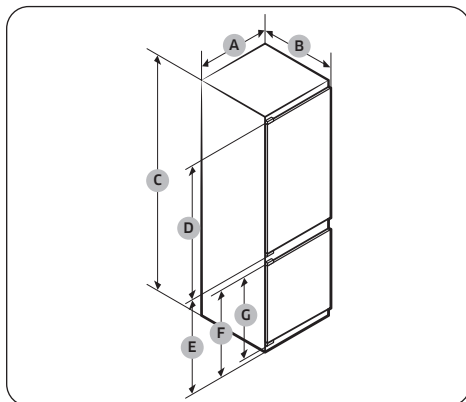
MERK

- For best mulig energieffektivitet må du sørge for at alle hyller, skuffer og kurver er plassert i original posisjon.
- Bare for modeller som har fryserhylle:
 - Bruk fryseren etter å ha fjernet den nederste skuffen i fryseren hvis du har behov for å fryse store mengder mat raskt.
 - Hvis du trenger mer plass, kan du ta ut skyvehyllen (10) og to fryserkuffer (11, 13) under den, men behold fryserhyllen på den nederste skuffen i fryseren. De påvirker ikke termiske og mekaniske egenskaper. Det oppgitte lagringsvolumet av frossen mat i fryserdelen beregnes med hyllen og fryserkuffene fjernet.

Klarering

Se bildene og tabellene nedenfor for plasskrav ved montering.

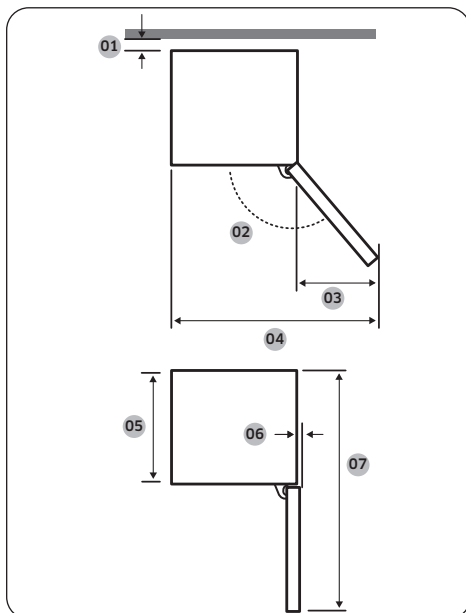
Produktmål



	BRB***26*	BRB***30*
A	540±2	540±2
B	550±2 (med dør)	550±2 (med dør)
C	1775±2	1935±2
D	987	1147
E	735	735
F	671	671
G	621	621

(enhet: mm)

Produktets globale dimensjoner



Modell	BRB*****S0 SKYVETYPE	BRB*****F0 FASTMONTERET TYPE
01*	10 (min.) / 30 (anbefalt)	
02	95° (anbefalt)	115° (anbefalt)
03	218	180
04	758	700
05	510	510
06	1	5
07	1055	1055

* 01: Fra kabinettet til produktets bakside.

(enhet: mm)

MERK

- Det angitte energiforbruket er basert på 10 mm avstand mellom kabinettet og produktets bakside. Produktet vil fungere riktig selv om avstanden er under 10 mm, men vil bruke noe mer energi.
- Vi anbefaler at man bruker et kabinett med en tykkelse på 18 mm med hengsler som er 20 mm eller mindre.

MERK

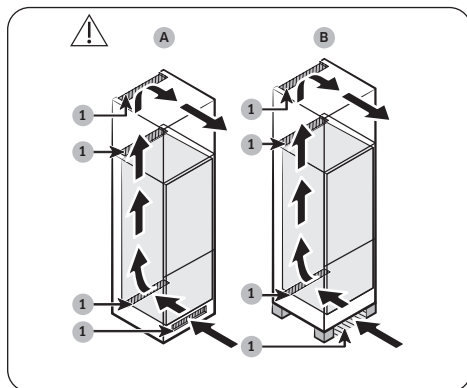
- Målene i tabellen over kan variere, avhengig av målemetoden.
- For innebygd installasjon ser du installasjonshåndboken.

Installasjon

Kabinettets ventilasjonssystem

Som vist på figuren sirkulerer luft som kommer inn i kjøleskapet rundt ventilasjonsbanen (se pilens retning) til kabinettet. Kabinettet må ha minst 200 cm² (B x H: 500 mm x 40 mm) med plass for luftinntaket og luftuttaket. Kabinettet må også ha en ventil på baksiden på minst 200 cm² (B x H: 500 mm x 40 mm) med plass nær bunnen.

Luftinntak

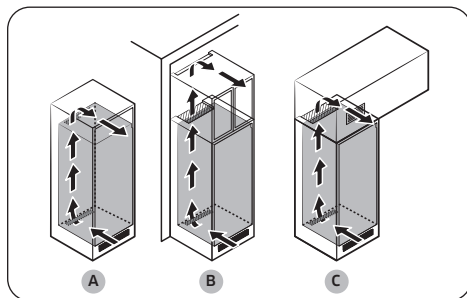


1	200 cm ²
---	---------------------

Luftinntaket må være plassert som i ett av eksemplene nedenfor, eller en liknende stilling, avhengig av kabinetttypen.

- A. Et ventilasjonshull inkludert i kabinettet.
- B. Et kabinett uten føtter.

Luftutløp



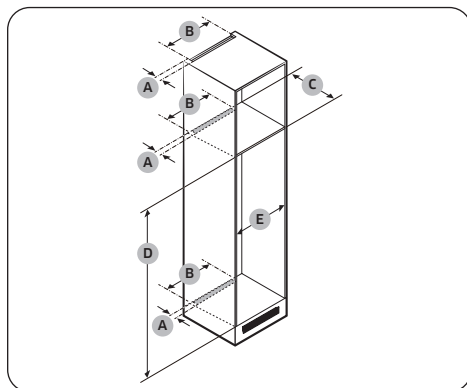
Luftutløpet må være plassert som i ett av eksemplene nedenfor, eller en liknende stilling, avhengig av kabinetttypen.

- A. Like over kjøleskapet med et valgfri kjøleribbe
- B. Nær taket på kabinettet
- C. Over kjøleskapet med en separat innebygd ventil

⚠ FORSIKTIG

Uavhengig av skapets utforming, må luftventilasjonssystemet ikke blokkeres av andre installasjoner.

Kabinettmål



⚠ FORSIKTIG

Hvis kabinettet har en dør, skal du påse at døren ikke er tung for å unngå at den tipper eller faller av.

Kabinettør	Tykkelse (mm)	Vekt (kg)
Kjøleskapside	Min. 16	Maks. 18
Frysebokside	Maks. 19	Maks. 12

Enhver produktfeil som måtte oppstå på grunn av følgende, dekkes ikke av garantien.

1. Uegnede forhold på monteringsstedet eller feil kabinettstørrelser
2. Defekt kabinett
3. Feil fra montørens eller brukerens side

Klarering

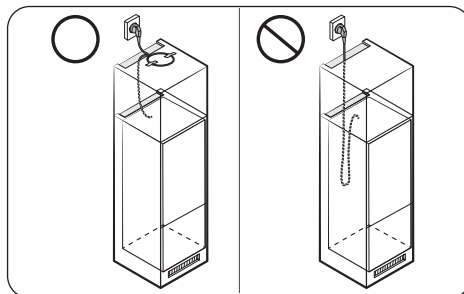
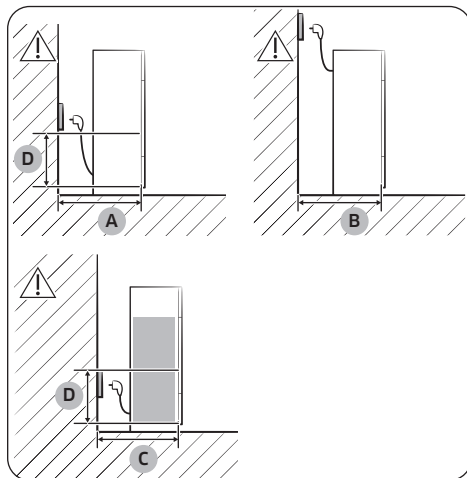
Se bildene og tabellene nedenfor for plasskrav ved montering.

Modell		A (mm)	B (mm)	C (mm)	D (mm)	E (mm)	Bemerkning
BRB***26**S0 SKYVETYPE	Min.	40	500	560	1778	560	
	Anbefalt			580	1780	562	
	Maks.			–	1782	568	
BRB***26**F0 FASTMONTERT TYPE	Min.			560	1778	555	Hengsel: 17 mm
	Anbefalt			580	1780	562	
	Maks.			–	1782	568	
BRB***30**S0 SKYVETYPE	Min.	40	500	560	1938	560	
	Anbefalt			580	1940	562	
	Maks.			–	1942	568	
BRB***30**F0 FASTMONTERT TYPE	Min.			560	1938	555	Hengsel: 17 mm
	Anbefalt			580	1940	562	
	Maks.			–	1942	568	

MERK

- Hvis bredden på et kabinett er mer enn 568 mm, kan pakningen (mellom kjøleskapet og kabinettet) løsne.
- Hvis kabinettet er høyere enn maksimal dimensjon (1782 mm), må du bruke andre sluttmaterialer for å fylle ut avstanden.

Vurderinger for plassering av strømuttak og nødvendig plass



A	Min. 590
B	Min. 560
C	Min. 580
D	240

(enhet: mm)

MERK

Hvis du installerer kjøleskapet i et skap som er 560 mm dypt, må du sørge for at strømledningen er på siden av kjøleskapet før du kobler den til et strømuttak. Hvis strømledningen er bak på kjøleskapet, kan det senke energieffektiviteten.

Vedlikehold

Rengjøring

Innvendig og utvendig

ADVARSEL

- Ikke bruk benzen, tynnere, eddik, kloroppløsning, bakepulver, sitronsyre, saltblandinger eller vaskemidler til hus og bil som Clorox™ til rengjøringsformål. Disse kan skade kjøleskapets overflate eller føre til brann.
- Ikke sprut vann på kjøleskapet. Det kan føre til elektrisk støt.

Bruk en tørr klut til å fjerne alle fremmedelementer som støv eller vann fra støpselet og stikkontaktene.

1. Koble fra strømledningen.
2. Bruk en fuktig, myk, ikke-loende klut eller tørkepapir til å rengjøre kjøleskapets innside og utside.
3. Når du er ferdig, bruker du en tørr klut eller et tørkepapir til å tørke skikkelig.
4. Koble til strømledningen.

LED-lamper

For å skifte lampene i kjøleskapet kontakter du et lokalt Samsung-servicesenter.

ADVARSEL

Brukeren kan ikke utføre endringer på lampene. Ikke forsøk å skifte ut lampen selv. Dette kan føre til elektrisk støt.

Lampe (lyskilde)

Dette produktet inneholder en lyskilde med energieffektivitetsklasse <G>.

Lampen(e) og/eller kontrollmekanismen kan ikke vedlikeholdes av brukeren. For å skifte lampen(e) og/eller kontrollmekanismen(e) i produktet kontakter du et lokalt Samsung-servicesenter.

For detaljerte instruksjoner om hvordan du skifter lampen(e) eller kontrollmekanismen i produktet, kan du gå til Samsung-nettstedet (<http://www.samsung.com>) gå til Support > Support home, og angi modellnavnet.

For detaljerte instruksjoner om hvordan du demonterer lampen(e) og/eller kontrollmekanismen, følger du instruksjonene for utskiftning som du finner der det er beskrevet ovenfor.

Vedlegg

Informasjon om modellen og bestilling av ekstradeler

Informasjon om modellen

For å vise informasjon om energimerking for dette produktet på det europeiske produktregisteret for energimerking (EPREL), skanner du QR-koden på energietiketten.

Du finner QR-koden på energietiketten på produktboksen.

Informasjon om deler

- Minimumsperiode for levering av nødvendige ekstradeler
 - 7 år: termostater, temperatursensorer, kretskort og lyskilder, dørhåndtak, dørhengsler, brett, kurver (bokser og skuffer)
 - 10 år: dørpakninger
- Minimum garantitid fra leverandøren er 24 måneder.
- Informasjon om bestilling av ekstradeler, direkte eller via andre kanaler formidlet av produsenten, importøren eller en annen autorisert representant
- Du kan finne informasjon om profesjonell reparasjon på <http://samsung.com/support>.
- Du kan finne bruksanvisningen på <http://samsung.com/support>.

Installeringsinstruks

For kjøleskap med klimaklasse

- Avhengig av klimaklasse er dette kjøleskapet ment for bruk i romtemperaturer som spesifisert i følgende tabell.
- Klimaklassen finner du på energietiketten. Utenfor disse temperaturene kan produktets funksjonalitet reduseres.
- Klimaklassen finner du på etiketten på innsiden av kjøleskapet.

Effektivt temperaturområde

Kjøleskapet er utformet for å fungere normalt innenfor temperaturområdet som er spesifisert i klasserangeringen.

Klasse	Symbol	Omgivelsestemperaturområde (°C)	
		IEC 62552 (ISO 15502)	ISO 8561
Kald temperert sone	SN	+10 til +32	+10 til +32
Temperert sone	N	+16 til +32	+16 til +32
Subtropisk sone	ST	+16 til +38	+18 til +38
Tropisk sone	T	+16 til +43	+18 til +43

MERK

Kjøleytelsen og strømforbruket til kjøleskapet kan påvirkes av temperaturen i rommet, hvor ofte døren åpnes og plasseringen av kjøleskapet. Vi anbefaler at du justerer temperaturinnstillingene etter behov.

Instruksjoner om temperatur

Anbefalt temperatur

Den optimale temperaturinnstillingen for matoppbevaring:

- Kjøleskap: 3 °C
- Freezer (Fryser): -19 °C

MERK

Den optimale temperaturinnstillingen for hvert rom avhenger av omgivelsestemperaturen. Over optimal temperatur er basert på omgivelsestemperaturen på 25 °C.

Hurtigkjøler

Hurtigkjøler fremskynder kjøleprosessen ved maksimal viftehastighet. Kjøleskapet fortsetter å gå på full hastighet i to og en halv time før det går tilbake til forrige temperatur.

Hurtigfrys

Hurtigfrys fremskynder fryseprosessen ved maksimal viftehastighet. Fryseren fortsetter å gå på full hastighet i 50 timer før den går tilbake til forrige temperatur. Når du skal fryse store mengder mat, bør du aktivere Hurtigfrys i minst 20 timer før du legger maten i fryseren.

MERK

Når du bruker denne funksjonen økes strømforbruket til kjøleskapet. Husk å slå den av når du ikke trenger den, slik at fryseren gjenopptar den opprinnelige temperaturinnstillingen.

Vedlegg

Oppbevaring for best konservering (kun gjeldende modeller)

Dekk til mat for å beholde fuktigheten og forhindre at de plukker opp lukt fra andre matvarer. En stor gryte med mat som suppe eller lapskaus, bør deles i små porsjoner og legges i grunne beholdere før de legges i kjøleskapet. Et stort kjøttstykke eller helt fjærkre skal deles opp i mindre biter eller legges i grunne beholdere før de legges i kjøleskapet.

Plassering av matvarer

Hyller	Hyllene er justerbare for å få plass til en rekke forskjellige pakker.
Spesialisert kammer (kun gjeldende modeller)	Tette crisper-skuffer gir et optimalt lagringsmiljø for frukt og grønnsaker. Grønnsaker krever forhold med høyere fuktighet, mens frukt krever lavere fuktighetsforhold. Crisper-skuffer er utstyrt med kontrollenheter for å kontrollere fuktighetsnivået. (* Avhengig av modell og alternativer) En kjøttskuff med justerbar temperatur maksimerer lagringstiden for kjøtt og ost.
Oppbevares i døren	Ikke oppbevar lettbederlige matvarer i døra. Egg skal oppbevares i kartongen på en hylle. Temperaturen på beholderne i døren svinger mer enn temperaturen i skapet. Hold døren lukket så mye som mulig.
Fryserdelen	Du kan lagre frossen mat, lage isbiter og fryse fersk mat i fryserdelen.

MERK

Frys kun fersk, uskadet mat. Hold mat som skal fryses unna mat som allerede er frossen. Oppbevar maten i lufttette beholdere for å hindre at den mister smak eller tørker ut.

Oppbevaringsskjema for kjøleskap og fryser

Friskhetens levetid avhenger av temperatur og eksponering for fuktighet. Siden produktdatoer ikke er en guide for sikker bruk av et produkt, kan du se dette skjemaet og følge disse tipsene.

	Produkt	Kjøleskap	Freezer (Fryser)
Melkeprodukter	Melk	1 uke	1 måned
	Smør	2 uker	12 måneder
	Kremost	2 uker	Ikke anbefalt
Meat	Ferske steker, biffer, koteletter	3-4 dager	2-3 måneder
	Pølse, rå fra svinekjøtt, storfekjøtt, kalkun	1-2 dager	1-2 måneder
Fjærkre / egg	Ferskt fjærkre	2 dager	6-8 måneder
	Egg, ferske i skallet	2-4 uker	Ikke anbefalt
Fisk / sjømat	Fersk fisk	1-2 dager	3-6 måneder
	Tørket eller syltet fisk	3-4 uker	-
Frukt	Epler	1 måned	-
	Annen fersk frukt	3-5 dager	9-12 måneder
Grønnsaker	Asparges	2-3 dager	-
	Brokkoli, rosenkål, grønne erter, sopp	3-5 dager	-
	Kål, blomkål, selleri, agurk, salat	1 uke	-
	Gulrøtter, beter, reddiker	2 uker	-

Instruksjoner om WEEE



Riktig avhending av dette produktet (kassert elektrisk og elektronisk utstyr)
(Gjelder land med egne innsamlingssystemer)

Dette merket på produktet, tilbehør eller skriftlig dokumentasjon angir at produktet og det elektroniske tilbehøret (f.eks. lader, headset, USB-kabel) ikke må kastes sammen med annet husholdningsavfall ved slutten av levetiden. For å unngå skade på miljøet eller folks helse som følge av ukontrollert deponering av avfall, må dette skilles fra andre typer avfall og resirkuleres på en forsvarlig måte for å fremme bærekraftig gjenbruk av materielle ressurser.

Private husholdninger må kontakte det stedet der de kjøpte produktet eller lokale myndigheter for å få informasjon om hvor og hvordan de kan bringe dette produktet til et trygt sted for resirkulering.

Bedrifter må kontakte leverandøren og undersøke vilkårene i kjøpekontrakten. Dette produktet og det elektroniske tilbehøret må ikke blandes sammen med annet kommersielt avfall.

Hvis du vil ha informasjon om Samsungs miljøforpliktelser og produktreguleringsforpliktelser, dvs. REACH, WEEE eller Batteries, kan du gå til siden vår om bærekraft som er tilgjengelig via www.samsung.com
(Gjelder bare produkter som selges i europeiske land og i Storbritannia)

Notat

Jääkaappi

Kaapistoon asennettava kodinkone

Yksinkertainen käyttöopas

- Saat tarkat ohjeet laitteiden asennukseen ja puhdistukseen Samsungin verkkosivustolta (<http://www.samsung.com>) siirtymällä kohtaan Tuki > Tuen aloitussivu ja antamalla sitten laitemallisi nimen.
- Jos haluat tarkistaa tuotteen mallin, katso tuotteen mukana toimitetut tai siihen kiinnitetyt merkinnät.
- Avaa QR-koodin lukusovellus ja skanna QR-koodi. Tuoterekisteröinti, käyttöopas ja asiakastuki ovat käytettävissä.
- Kuvat ja piirustukset annetaan vain viitteeksi ja voivat poiketa tuotteen todellisesta ulkonäöstä. Tuotteen muotoilu ja tekniset tiedot voivat muuttua ilmoittamatta.



Skannaa tämä puhelimella.

Turvallisuusohjeet

- Onnittelut uusista Samsung-kodinkoneista. Tämä käyttöopas sisältää tärkeitä tietoja kodinkoneiden asennuksesta, käytöstä ja kunnossapidosta. Lue tämä käyttöopas huolellisesti ennen kodinkoneiden käyttöä. Näin voit varmistaa, että osaat käyttää uusien kodinkoneiden ominaisuuksia ja toimintoja turvallisesti ja tehokkaasti.

Tärkeitä turvallisuussymboleita

Mitä tämän käyttöoppaan kuvakkeet ja merkinnät tarkoittavat:



VAROITUS

Vaarat ja vaaralliset toimenpiteet, jotka saattavat aiheuttaa **kuoleman tai vakavia henkilö- ja/tai omaisuusvahinkoja**.



HUOMIO

Vaarat ja vaaralliset toimenpiteet, jotka saattavat aiheuttaa **henkilö- ja/tai omaisuusvahinkoja**.



Lue ohjeet

Kun olet lukenut tämän käyttöoppaan, säilytä se tallessa tulevaa tarvetta varten.

Lue kaikki ohjeet ennen laitteen käyttöä.



HUOM.

Lisätietoja, jotka voivat olla hyödyllisiä.

Turvallisuusohjeet

VAROITUS

Jos näitä ohjeita ei noudateta, seurauksena voi olla sähköisku, vamma, tulipalo, räjähdys tai tuotteen hajoaminen.

Tärkeitä varotoimenpiteitä



VAROITUS; tulipalovaara / herkästi syttyvät aineet

1. Tätä laitetta ei ole tarkoitettu fyysisesti tai psyykkisesti rajoittuneiden eikä kokemattomien henkilöiden (esim. lasten) käytettäväksi, ellei heidän turvallisuudestaan vastaava henkilö ole läsnä tai opastanut heitä käyttämään laitetta oikein.
2. **Käyttö Euroopassa:** Tätä laitetta saavat käyttää yli 8-vuotiaat lapset sekä fyysisesti tai psyykkisesti rajoittuneet ja kokemattomat henkilöt, jos käyttöä valvotaan tai jos heille on annettu ohjeet laitteen turvalliseen käyttöön ja he ymmärtävät käyttöön liittyvät vaarat. Lapset eivät saa leikkiä laitteella. Lapset eivät saa puhdistaa tai ylläpitää laitetta ilman valvontaa. 3–8-vuotiaat lapset saavat asettaa tuotteita kylmälaitteisiin ja poistaa tuotteita niistä.
3. Lasten ei saa antaa leikkiä laitteella.
4. Jos laitteen virtajohto on vaurioitunut, valmistajan, sen valtuuttaman huoltoliikkeen tai muun pätevän ammattilaisen on vaihdettava johto, jotta vaaratilanteilta voitaisiin välttyä.
5. Tämä laite sisältää pienen määrän syttyvää jäähdytysaineena käytettyä isobutaania (R-600a). Kodinkonetta on käsiteltävä ja se on asennettava, huollettava ja hävitettävä varovasti, jotta mitkään jäähdytyspiirin osat eivät vaurioituisi.
6. Jäähdytysaineena käytetään joko R-600a:ta tai R-134a:ta. Tarkista tarvittaessa laitteen takana olevasta kompressorikylistä tai sen sisällä olevasta tyyppikilvestä, mitä jäähdytysainetta siinä käytetään. Jos laite sisältää helposti syttyvää kaasua (jäähdytysaine R-600a), pyydä turvalliset hävitysohjeet paikallisilta viranomaisilta.
7. Varo vaurioittamasta laitteen jäähdytyspiiriä.

-
8. Jotta voidaan välttää syttyvän ilma-kaasuseoksen syntyminen jäähdytyspiirin vuototilanteissa, huoneen koon tulee olla 1 m^3 jokaista kodinkoneen sisällä olevan R-600a-jäähdytysaineen 8 grammaa kohti. Jos kodinkoneessa havaitaan merkkejä vaurioista, irrota se pistorasiasta, ja ota yhteyttä jälleenmyyjään epävarmoissa tilanteissa.
 9. Laitteen eristykseen on käytetty syklopentaania. Eristysmateriaalin kaasut edellyttävät erityiskäsittelyä, kun laite hävitetään. Tarkista ympäristön kannalta turvallinen hävittäminen paikallisista viranomaisilta.
 10. Pistorasian on oltava käden ulottuvilla, jotta laite voidaan hätätilanteessa irrottaa nopeasti sähköverkosta.
 11. Varmista, että virtajohto ei ole tarttunut mihinkään tai vaurioitunut, kun asetat laitteen paikalleen.
 12. Älä käytä monipistorasioita tai kannettavia virtalähteitä laitteen takana.
 13. Tämä laite on tarkoitettu kotitalouskäyttöön ja sitä vastaaviin käyttötilanteisiin, esimerkiksi
 - kauppojen, toimistojen ja muiden työpaikkojen henkilökunnan ruokailutiloihin
 - maataloille, hotellien ja motellien asiakkaille ja muihin asuintiloja vastaaviin ympäristöihin
 - majatalotyyppisiin ympäristöihin
 - pitopalveluille ja muuhun ei-vähittäiskauppakäyttöön.
 14. Pidä kodinkoneen omat tai asennusrakenteen ilmanvaihtoaukot vapaina.
 15. Älä yritä nopeuttaa sulatusprosessia millään mekaanisilla laitteilla tai muillakaan sellaisilla tavoilla, joita valmistaja ei ole erikseen suositellut.
 16. Älä käytä laitteen ruoansäilytystiloissa mitään muita kodinkoneita, elleivät ne ole valmistajan suosittelemaa tyyppiä.
 17. Älä säilytä jääkaapissa haihtuvia tai helposti syttyviä esineitä tai aineita.
 - Jääkaappi on tarkoitettu vain ruoan säilyttämiseen.
 - Seurauksena saattaa olla tulipalo tai räjähdys.
 18. Älä säilytä tässä laitteessa räjähtäviä aineita, kuten aerosolipakkauksia, joissa on tulenarkaa punneainetta.
 19. Jotta laite hyödyntäisi kuluttamansa energian mahdollisimman tehokkaasti, kaikki sen sisällä olevat osat, esimerkiksi laatikot, lokerot ja hyllyt, tulisi pitää niissä paikoissa, joissa ne toimitettaessa olivat.

Turvallisuusohjeet

20. Vesiliitäntä on yhdistettävä juomakelpoiseen veteen. (vain soveltuviissa malleissa)
21. Käytä laitteessa vain juomakelpoista vettä. (vain soveltuviissa malleissa)
 - Käytä vesisäiliössä, jääpalalokerossa ja jääpaloissa vain juomakelpoista vettä (puhdistettua tai kivennäisvettä).
 - Älä lisää säiliöön teetä, mehua tai urheilujuomia, sillä ne voivat vaurioittaa jääkaappia.
22. Vanhojen letkujen sijaan on käytettävä laitteen mukana tulevia uusia letkuja.
23. Vesiliitäntä on tehtävä vain juomakelpoiseen veteen. Asianmukainen toiminta edellyttää vedenpainetta 206–861 kPa (30–125 psi).
24. Jos tuotteessa on LED-valot, ota yhteyttä paikalliseen Samsungin huoltoliikkeeseen tai sen edustajiin, kun valot on vaihdettava.
25. Vältä ruokien kontaminoituminen noudattamalla seuraavia ohjeita:
 - Oven pitäminen pitkään auki voi nostaa laitteen sisäosien lämpötilaa huomattavasti.
 - Puhdista säännöllisesti ruokia koskettavat pinnat ja kaikki vedenpoistokohdat.
 - Puhdista vesisäiliöt, jos niitä ei ole käytetty 48 tuntiin: huuhtele vedensyöttöön liitetty vesijärjestelmä, jos vettä ei ole laskettu 5 päivään.
 - Säilytä raakaa lihaa ja kalaa sopivissa astioissa jääkaapissa, jotta se ei päädy kosketuksiin muiden ruokien kanssa.
 - Kahden tähden pakastuslokerot sopivat valmiiksi jäädytetyn ruoan säilyttämiseen, jäätelön tekemiseen ja säilyttämiseen sekä jääpalojen tekemiseen.
 - Yhden, kahden ja kolmen tähden lokerot eivät sovellu tuoreen ruoan jäädyttämiseen.
 - Jos kylmälaite jätetään tyhjäksi pitkähköksi ajaksi, katkaise sen virta, sulata, puhdista ja kuivaa se ja jätä ovi auki, jotta laitteen sisälle ei pääse muodostumaan hometta.
26. Kahden tähden osissa tai kahdella tähtimerkillä (❄❄) merkityillä alueilla lämpötila on hieman korkeampi kuin pakastimen muissa osissa.
27. Vältä laitteen epävakaudesta johtuvat vaaratilanteet kiinnittämällä laite ohjeiden mukaisesti.



Asennus

- Tätä laitetta saa kuljettaa vain vähintään kaksi henkilöä, jotka pitelevät laitetta tukevasti.
- Asenna laite lujalle ja tasaiselle lattialle.
- Älä asenna laitetta kosteaan ja pölyiseen paikkaan. Älä asenna tai säilytä laitetta ulkotiloissa tai alueilla, jotka altistuvat sääolosuhteille, kuten suoralle auringonvalolle, tuulelle, sateelle tai pakkaselle.
- Älä altista laitetta suoralle auringonvalolle tai muista laitteista, kuten unneista tai lämmittimistä säteilevälle lämmölle.
- Varo, ettei laitteen takaosa paljastu asennuksen aikana.
- Asenna laite paikkaan, jossa laitteen pistoke on helppo irrottaa.
- Varo, ettei laitteen ovi putoa kokoamisen tai purkamisen aikana.
- Varo puristamasta, rikkomasta tai vahingoittamasta virtajohtoa laitteen luukun kokoamisen tai purkamisen aikana.
- Varo, ettei osoita verkkopistoketta ylöspäin tai anna laitteen nojata verkkopistoketta vasten.
- Älä liitä pistokesovitinta tai muita lisävarusteita verkkopistokkeeseen.
- Älä muokkaa tai pidennä virtajohtoa.
- Varmista, että pistorasia on asianmukaisesti maadoitettu ja että virtajohdon maadoitusliitin ei ole vaurioitunut tai irti pistorasiasta. Lisätietoja maadoituksesta on saatavilla Samsung Electronicsin palvelukeskuksesta.
- Tässä laitteessa on virtajohto, jossa on maadoitusjohto ja maadoitettu pistoke. Virtapistoke on kytkettävä asianmukaiseen pistorasiaan, joka on asennettu ja maadoitettu kaikkien paikallisten sääntöjen ja määräysten mukaisesti.
- Älä milloinkaan käynnistä laitetta, jos se näyttää olevan jotenkin vaurioitunut. Pyydä epäselvissä tilanteissa neuvoja jälleenmyyjältä.
- Älä kytke laitetta pistorasiaan, jossa ei ole virtajohtoa (kiinnitetty).
- Laite on kytkettävä erilliseen virtajohtoon, joka on erikseen suojattu.
- Älä käytä pistorasiaa, jota ei ole asianmukaisesti maadoitettu (kannettava). Jos käytät oikein maadoitettua monipaikkaista pistorasiaa (kannettavaa), käytä sellaista monipaikkaista pistorasiaa, jonka virtakapasiteetti vastaa virtajohdon nimellisarvoa tai on sitä suurempi, ja käytä monipaikkaista pistorasiaa vain laitteelle.
- Hävitä kaikki pakkausmateriaalit (kuten muovipussit ja styroksi) niin, että lapset eivät pääse niihin käsiksi. Pakkausmateriaalit voivat aiheuttaa tukehtumisen.

Toiminto



HUOMIO

Vähentääksesi henkilövahinkojen, toimintahäiriöiden tai tuotet- tai omaisuusvahinkojen riskiä tämän tuotteen käytön aikana noudata seuraavia varotoimia:

- Varo lähellä olevia lapsia, kun avaat tai suljet laitteen ovea. Ovi voi osua lapseen ja aiheuttaa loukkaantumisen.
- Varmista, ettei lapsia jää loukkuun laitteen sisään. Laitteen sisään jäänyt lapsi voi tukehtua. Älä koske pakastimessa oleviin pakastettuihin elintarvikkeisiin tai pakastimen metalliosiin märillä tai kosteilla käsillä. Voit saada paleltuman.
- Älä aseta lasiastioita, pulloja tai tölkkejä (etenkään hiilihappopitoisia juomia sisältäviä) pakastinlokeroon, hyllyille tai jääsäiliöön, jotka altistuvat jäätymispisteen alla oleville lämpötiloille.
- Laitteen oven etupuolella tai hyllyillä oleva karkeustu lasi voi vaurioitua iskun voimasta. Jos se on rikki. Älä koske siihen käsin.
- Älä roiku laitteen ovista, säilytystilasta tai hyllystä tai kiipeä laitteen päälle.
- Älä säilytä liikaa vesipulloja tai lisukkeille tarkoitettuja astioita ovihyllyillä.
- Älä avaa tai sulje laitteen ovea liiallisella voimalla.
- Jos laitteen oven sarana on vaurioitunut tai toimii väärin, lopeta laitteen käyttö ja ota yhteys valtuutettuun huoltoliikkeeseen.
- Estä eläimiä pureskelemasta virtajohtoa tai vesiletkua.
- Älä koskaan syö pakastettuja elintarvikkeita heti sen jälkeen, kun ne on otettu pakastelokerosta.
- Varmista, että käsi tai jalka ei jää jumiin avatessasi tai sulkiessasi laitteen ovea tai ovessa olevaa ovea.

Huolto

- Älä puhdistasi lasihyllyjä tai -suojuksia lämpimällä vedellä niiden ollessa kylmiä. Ne voivat rikkoutua, jos ne altistuvat äkillisille lämpötilan vaihteluille.
- Älä aseta hyllyjä ylösalaisin. Hyllyt voivat pudota.
- Jos haluat poistaa huurteen laitteesta, ota yhteyttä Samsung Electronicsin palvelukeskukseen.
- Hävitä pakastinlokeron jääsäiliössä oleva jää pidemmän sähkökatkon aikana.



Turvallisuusohjeet

Vaatimustenmukaisuusvakuutus

Samsung täten vakuuttaa, että tämä radiolaitte noudattaa direktiiviä 2014/53/EU ja Yhdistyneen kuningaskunnan soveltuvia lakimääräisiä vaatimuksia.

EU:n vaatimustenmukaisuusvakuutus ja Yhdistyneen kuningaskunnan vaatimustenmukaisuusvakuutus ovat luettavissa kokonaisuudessaan seuraavassa osoitteessa: Virallinen vaatimustenmukaisuusvakuutus on osoitteessa <http://www.samsung.com>. Kirjoita laitteen mallin nimi kohtaan Tuki >Etsi tuotetukea.

⚠ HUOMIO (koskee vain Family Hub -tyyppiä)

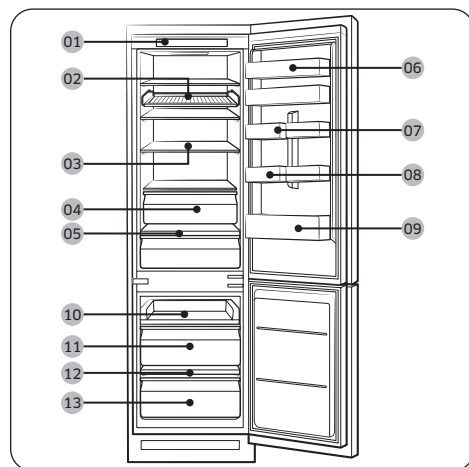
Laitteen 5 GHz:n WLAN-toimintoa saa käyttää vain sisätiloissa. Tätä laitetta saa käyttää kaikissa EU-maissa ja Yhdistyneessä kuningaskunnassa.

	Taajuusalue	Lähtetimen teho (enintään)
Wi-Fi	2412 – 2472 MHz	20 dBm
	5120–5250 MHz	23 dBm
	5250–5350 MHz	20 dBm
	5470–5725 MHz	27 dBm
Bluetooth	2402 – 2480 MHz	20 dBm

Asennus

Jääkaapin kuvaus

Jääkaapin mukana toimitetut osat saattavat mallista tai käyttömaasta riippuen olla erilaisia kuin tämän oppaan kuvissa.



- 01 Käyttöpaneeli
 - 02 Viinihylly *
 - 03 Jääkaapin hylly *
 - 04 Jääkaapin lokero*
 - 05 Vihanneshylly*
 - 06 Ylälokero *
 - 07 Monitoimilokero
 - 08 Munateline *
 - 09 Jääkaapin kotelo
 - 10 Liukuva hylly
 - 11 Pakastimen keskilokero
 - 12 Pakastimen hylly *
 - 13 Pakastimen allokero
- * Vain soveltuvissa malleissa.

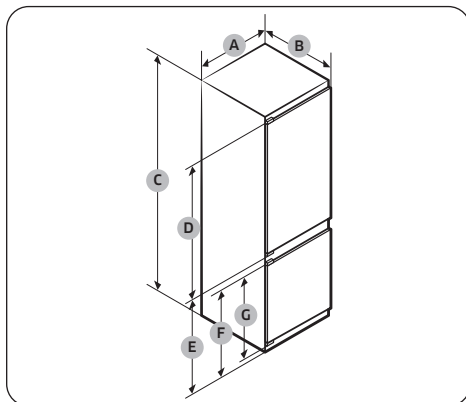
📖 HUOM.

- Energiatohokkuussyistä hyllyt, lokerot ja laatikot tulee säilyttää alkuperäisillä paikoillaan.
- Vain mallit, joissa on pakastinhylly:
 - Jos haluat pakastaa suuren määrän ruokaa nopeasti, käytä pakastinta poistettuasi pakastimen alalokeron.
 - Saadaksesi lisää tilaa voit poistaa liukuvan hyllyn (10) ja kaksi sen alla olevaa pakastimen laatikkoa (11,13) mutta pidä pakastimen alalokeron päällä oleva hylly. Ne eivät vaikuta laitteen mekaanisiin ja lämpötekniisiin ominaisuuksiin. Ilmoitettu pakastustilan määrä on laskettu hylly ja laatikot poistettuina.

Vapaa tila

Tarkista asennuksen tilavaatimukset seuraavista kuvista ja taulukoista.

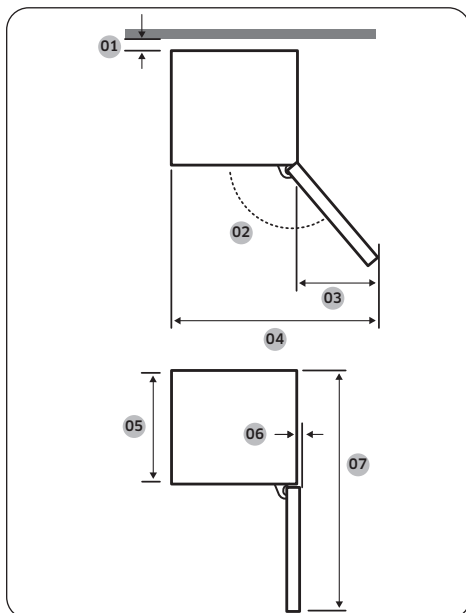
Laitteen mitat



	BRB***26*	BRB***30*
A	540 ± 2	540 ± 2
B	550 ± 2 (oven kanssa)	550 ± 2 (oven kanssa)
C	1775 ± 2	1935 ± 2
D	987	1147
E	735	735
F	671	671
G	621	621

(yksikkö: mm)

Tuotteen yleiset mitat



Malli	BRB*****S0 LIUKUVA TYYPPI	BRB*****F0 KIINTEÄ TYYPPI
01*	10 (vähintään) / 30 (suositus)	
02	95° (suositus)	115° (suositus)
03	218	180
04	758	700
05	510	510
06	1	5
07	1055	1055

* 01: Asennuskalusteesta tuotteen takareunaan

(yksikkö: mm)

HUOM.

- Ilmoitettu energiankulutus perustuu oletukseen 10 mm:n aukosta asennuskalusteen ja tuotteen takareunan välillä. Tuote toimii oikein, vaikka aukko olisi alle 10 mm. Se kuluttaa silloin kuitenkin hieman enemmän energiaa.
- Suosittelimme käyttämään 18 mm:n paksuisia asennuskalustetta, jonka saranat ovat alle 20 mm paksut.

HUOM.

- Yllä olevassa taulukossa mainitut mitat voivat vaihdella mittaustavasta riippuen.
- Kalusteiden sisään asentamista varten, katso Asennusohje.

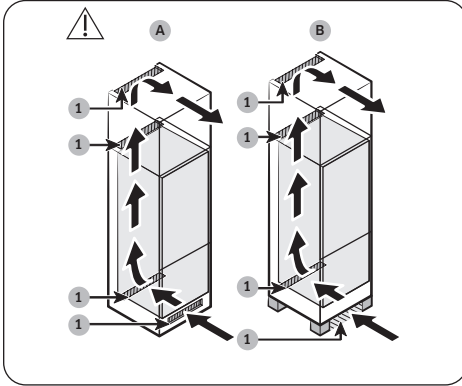
Asennus

Asennuskalusteen ilmanvaihtojärjestelmä

Kuten kuvasta näkyy, jääkaappiin menevä ilma kiertää asennuskalusteen ilmanvaihtoreittiä pitkin (ks. nuolen suunta).

Asennuskalusteessa on oltava vähintään 200 cm² (L x K: 500 mm x 40 mm) tilaa ilmanotolle ja ilmanpoistolle. Asennuskalusteen takana alhaalla on lisäksi oltava vähintään 200 cm²:n (L x K: 500 mm x 40 mm) kokoinen ilmanvaihtoaukko.

Ilmanotto

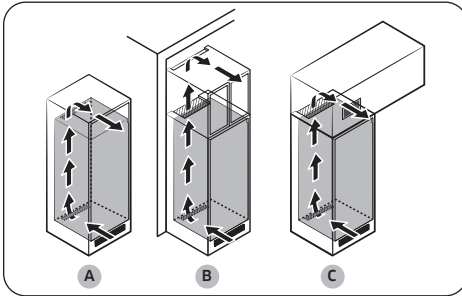


1	200 cm ²
---	---------------------

Ilmanoton on sijoitettava seuraavien esimerkkien mukaisesti tai vastaavassa paikassa asennuskalusteen tyyppin mukaan.

- A. Asennuskalusteessa on ilmanvaihtoaukko.
- B. Asennuskalusteessa on jalat.

Ilmanpoisto



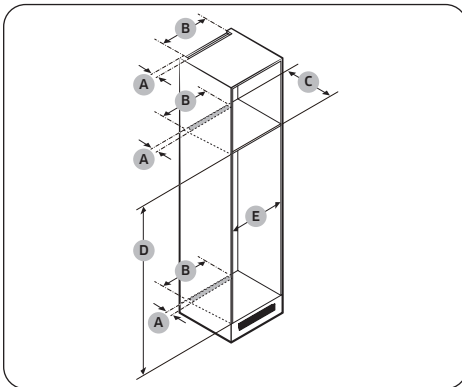
Ilmanpoiston on sijoitettava seuraavien esimerkkien mukaisesti tai vastaavassa paikassa asennuskalusteen tyyppin mukaan.

- A. suoraan jääkaappin päälle, kun käytetään valinnaista ilmanvaihtoritilää
- B. asennuskalusteen katon tuntumaan
- C. jääkaappin yläpuolelle, kun käytetään erillistä, sisäänrakennettua ilmanvaihtoaukkoa.

⚠ HUOMIO

Kalusteratkaisusta riippumatta mikään rakenne ei saa tukkia ilmavaihtojärjestelmää.

Asennuskalusteen mitat



⚠ HUOMIO

Jos asennuskalusteessa on ovi, sen ei tulisi olla liian painava, jottei se pääsisi putoamaan tai kaatumaan.

Asennuskalusteen ovi	Paksuus (mm)	Paino (kg)
Jääkaappipuoli	Väh. 16	Enint. 18
Pakastinpuoli	Enint. 19	Enint. 12

Takuu ei kata seuraavista syistä johtuvia laitevikoja:

1. vääränlaiset asennusolosuhteet tai vääränkokoinen asennuskaluste
2. viallinen asennuskaluste
3. asentajan tai käyttäjän tekemät virheet.

Vapaa tila

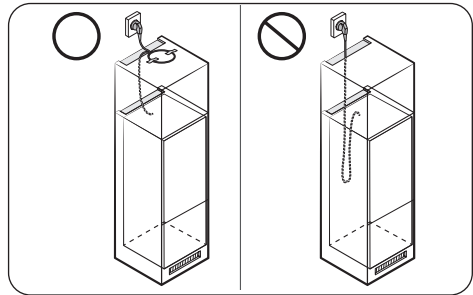
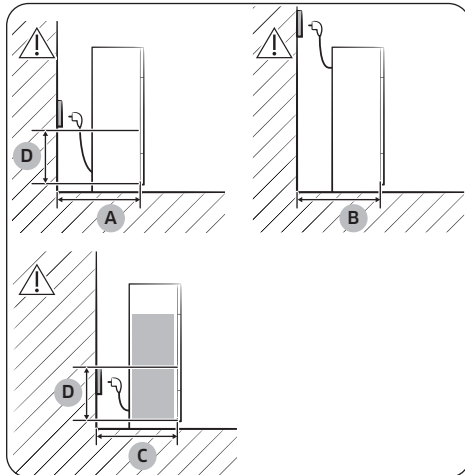
Tarkista asennuksen tilavaatimukset alla olevista kuvista ja taulukosta.

Malli		A (mm)	B (mm)	C (mm)	D (mm)	E (mm)	Huomautus
BRB***26**S0 LIUKUVA TYYPPI	Väh.	40	500	560	1778	560	
	Suositus			580	1780	562	
	Enint.			–	1782	568	
BRB***26**F0 KIINTEÄ TYYPPI	Väh.			560	1778	555	Sarana: 17 mm
	Suositus			580	1780	562	
	Enint.			–	1782	568	
BRB***30**S0 LIUKUVA TYYPPI	Väh.	40	500	560	1938	560	
	Suositus			580	1940	562	
	Enint.			–	1942	568	
BRB***30**F0 KIINTEÄ TYYPPI	Väh.			560	1938	555	Sarana: 17 mm
	Suositus			580	1940	562	
	Enint.			–	1942	568	

HUOM.

- Jos asennuskalusteen leveys on yli 568 mm, tiiviste (jääkaapin ja asennuskalusteen välissä) voi löystyä.
- Jos asennuskaluste on maksimitaa (1782 mm) korkeampi, aukko on täytettävä muilla päällystemateriaaleilla.

Pistorasian sijainti ja tarvittava tila



A	Väh. 590
B	Väh. 560
C	Väh. 580
D	240

(yksikkö: mm)

HUOM.

Varmista, että virtajohto on asetettu siististi kaapin molemmille puolille ennen kuin kytket sitä pistorasiaan, jos asennat jääkaapin kalusteeseen, jonka syvyys on 560 mm. Jos virtajohto on jääkaapin takaosan puolella, se voi vähentää laitteen kokonaistehokkuutta merkittävästi.

Huolto

Puhdistaminen

Sisä- ja ulkopinnat

VAROITUS

- Älä puhdistu laitetta bentseenillä, ohenteilla, etikalla, nestemäisellä valkaisuaineella, ruokasoodalla, sitruunahapolla, suolaseoksilla tai kodin puhdistusaineilla tai autonpesuaineilla, esimerkiksi Cloroxilla™. Ne voivat vaurioittaa jääkaapin pintaa ja aiheuttaa tulipalon.
- Älä suihkuta jääkaapin päälle vettä. Tämä voi aiheuttaa sähköiskun.

Puhdista pistokkeen navoista ja liitäntäkohdista kaikki niihin kuulumattomat aineet (esimerkiksi pöly tai vesi) säännöllisesti kuivalla liinalla.

1. Irrota virtajohto pistorasiasta.
2. Käytä kostutettua, pehmeää ja nukkaantumaton liinaa tai paperiäyhettä jääkaapin sisä- ja ulkopintojen puhdistamiseen.
3. Kuivaa lopuksi pinnat huolellisesti kuivalla liinalla tai paperiäyhkeellä.
4. Kytke virtajohto pistorasiaan.

LED-valot

Kun jääkaapin valot täytyy vaihtaa, ota yhteyttä lähimpään Samsungin huoltoon.

VAROITUS

Valot eivät ole käyttäjien vaihdettavissa. Älä yritä vaihtaa valoa itse. Tämä voi aiheuttaa sähköiskun.

Lamppu (valonlähde)

Tämä tuote sisältää valonlähteen, jonka energiatehokkuusluokka on <G>.

Lamppu ja/tai valotehokkuus eivät ole käyttäjän vaihdettavissa. Kun tuotteen lamppu ja/tai valotehokkuus täytyy vaihtaa, ota yhteyttä lähimpään Samsungin huoltoliikkeeseen.

Saat tarkat ohjeet tuotteesi lampan tai valotehokkuuden vaihtamiseen Samsungin verkkosivustosta (<http://www.samsung.com>) siirtymällä kohtaan Tuki > Tuen aloitussivu ja antamalla sitten laitemallisi nimen.

Saat tarkat ohjeet lampan irrottamiseen tai valotehokkuuden poistoon noudattamalla yllä mainitussa sijainnissa annettuja vaihto-ohjeita.

Liite

Tiedot mallista ja varaosien tilaamisesta

Mallitiedot

Jos haluat lukea tämän tuotteen energiamerkintätiedot EPREL (European Product Registry for Energy Labelling) -tietokannasta, skannaa energiamerkinnässä oleva QR-koodi.

Löydät QR-koodin tuotepakkauksen energiamerkinnästä.

Osatiedot

- Vähimmäisjakso, jonka ajan laitteen korjaamiseen tarvittavia varaosia on saatavilla:
 - 7 vuotta: termostaatit, lämpötilantunnistimet, painetut piirilevyt ja valonlähteet, ovenkahvat, oven saranat, telineet, laatikot (rasiat ja lokerot)
 - 10 vuotta: oven tiivisteet.
- Valmistajan kylmälaitteelle tarjoaman takuun vähimmäiskesto on 24 kuukautta.
- Tiedot varaosien tilaamisesta suoraan tai muiden valmistajan, maahantuojan tai valtuutetun edustajan tarjoamien kanavien kautta:
- Tietoa ammattikorjauksesta on osoitteessa <http://samsung.com/support>.
- Käyttäjän huolto-opas on saatavilla osoitteessa <http://samsung.com/support>.

Asennusohje

Ilmastoluokitellut kylmälaitteet

- Tämä kylmälaite on tarkoitettu käytettäväksi seuraavassa taulukossa ilmoitetulla ilmastoluokkansa mukaisella ympäristölämpötila-alueella.
- Ilmastoluokan voi tarkistaa arvokilvestä. Jos lämpötila on ilmoitetun alueen ulkopuolella, tuote ei välttämättä toimi oikein.
- Ilmastoluokka on merkitty jääkaapin sisäpuolella olevaan tarraan.

Tehokkaat lämpötilarajat

Jääkaappi on suunniteltu toimimaan normaalisti luokituksensa mukaisissa lämpötilarajoissa.

Luokka	Merkki	Ympäristön lämpötilarajat (°C)	
		IEC 62552 (ISO 15502)	ISO 8561
Erittäin lauhkea	SN	+10 – +32	+10 – +32
Lauhkea	N	+16 – +32	+16 – +32
Subtrooppinen	ST	+16 – +38	+18 – +38
Trooppinen	T	+16 – +43	+18 – +43

HUOM.

Ympäristön lämpötila, ovien avaamistiheys ja jääkaapin sijoituspaikka saattavat vaikuttaa jääkaapin jäähdytyskykyyn ja virrankulutukseen. Suosittelemme tarvittaessa säätämään lämpötilaa.

Lämpötilaohje

Suosittelu lämpötila

Ihanteellinen säilytyslämpötila-asetus:

- Jääkaappi: 3 °C
- Pakastin: -19 °C

HUOM.

Kunkin osaston optimaalinen lämpötila-asetus määräytyy ympäristön lämpötilan mukaan. Optimaalisen lämpötilan yläpuolella perustuu 25 °C:n ympäristön lämpötilaan.

Tehojäähdytys

Tehojäähdytys nopeuttaa jäähdytystä käyttämällä suurinta puhallinnopeutta. Jääkaappi käy täydellä puhallinnopeudella kaksi ja puoli tuntia ja palaa sen jälkeen takaisin aiempaan lämpötilaansa.

Tehopakastus

Tehopakastus nopeuttaa pakastusta käyttämällä suurinta puhallinnopeutta. Pakastin käy täydellä puhallinnopeudella 50 tuntia ja palaa sen jälkeen aiempaan lämpötilaansa. Jos haluat pakastaa suuren määrän ruokaa, ota Tehopakastus käyttöön vähintään 20 tuntia ennen pakastamista.

HUOM.

Kun käytät tätä toimintoa, jääkaapin energiankulutus kasvaa. Muista ottaa toiminto pois päältä ja palauttaa pakastin takaisin haluamaasi lämpötilaan, kun et enää tarvitse sitä.

Liite

Säilymisen kannalta parhaat säilytystavat (vain soveltuvat mallit)

Peitä ruoat, jotta ne pysyisivät kosteina ja jottei niihin tarttuisi hajua muista ruoista. Suuret astiat, joissa on esimerkiksi keittoa tai muhennosta, tulisi jakaa pienempiin annoksiin mataliin astioihin ennen niiden siirtämistä jääkaappiin. Suuret lihapalat tai kokonainen kana tulisi leikata pienemmiksi tai jakaa mataliin astioihin ennen niiden siirtämistä jääkaappiin.

Ruokien paikat

Hyllyt	Hyllyjen tulisi olla säädettävissä erilaisten pakkausten koon mukaisesti.
Erikaislokerot (vain soveltuvissa malleissa)	Tiivistetyissä vihanneslokeroissa on ihanteelliset säilytysolosuhteet hedelmille ja vihanneksille. Vihannekset edellyttävät tavallista enemmän kosteutta ja hedelmät taas vähemmän. Vihanneslokeroissa on hallintalaitteet kosteustason säätämiseen. (* Riippuu mallista ja valituista ominaisuuksista.) Lämpötilansäädöllä varustettu lihalokero maksimoi lihan ja juustojen säilytysajan.
Ovessa säilyttäminen	Älä säilytä helposti pilaantuvia ruokia ovessa. Munat tulisi säilyttää hyllyllä myyntipakkauksessaan. Oven säilytyslokeroiden lämpötila vaihtelee enemmän kuin kaapin sisällä. Pidä ovi mahdollisimman paljon suljettuna.
Pakastinpuoli	Pakastimessa voit säilyttää pakasteita, valmistaa jääpaloja ja pakastaa tuoreita elintarvikkeita.

HUOM.

Pakasta vain tuoreita ruokia. Pidä pakastettavat ruoat erillään jo pakastetuista ruoista. Käytä pakasteille ilmatiiviitä rasioita, jotta ruoan maku ei häviä eikä ruoka kuivuisi.

Jääkaapin ja pakastimen säilytysaikataulukko

Tuoreena säilyminen riippuu lämpötilasta ja kosteudelle altistumisesta. Koska tuotteissa olevat päivämäärät välttämättä eivät toimi ohjeena tuotteiden turvalliseen käyttöön, noudata näitä vinkkejä ja käytä tätä taulukkoa viitteenä.

	Tuote	Jääkaappi	Pakastin
Maitotuotteet	Maito	1 viikko	1 kuukausi
	Voi	2 viikkoa	12 kuukautta
	Tuorejuusto	2 viikkoa	Ei suositella
Liha	Tuoreet paistit, pihvit ja kyljykset	3–4 päivää	2-3 kuukautta
	Makkarat; raaka porsas, nauta ja kalkkuna	1-2 päivää	1-2 kuukautta
Linnunliha / munat	Tuore linnunliha	2 päivää	6-8 kuukautta
	Munat tuoreina kuorissaan	2-4 viikkoa	Ei suositella
Kala / äyriäiset	Tuore kala	1-2 päivää	3–6 kuukautta
	Kuivattu tai säilykekala	3-4 viikkoa	–
Hedelmät	Omenat	1 kuukausi	–
	Muut tuoreet hedelmät	3-5 päivää	9-12 kuukautta
Vihannekset	Parsa	2-3 päivää	–
	Parsakaali, ruusukaali, herneet ja sienet	3-5 päivää	–
	Kaali, kukkakaali, selleri, kurkku ja lehtisalaatti	1 viikko	–
	Porkkana, retiisi ja juurikkaat	2 viikkoa	–

Sähkö- ja elektroniikkalaiteromuä koskevat ohjeet



Laitteen turvallinen hävittäminen (sähkö- ja elektroniikkalaiteromu)
(Koskee maita, joissa on erillinen kierrätysjärjestelmä.)

Tämä merkintä laitteessa, sen lisävarusteissa tai sen mukana toimitetuissa asiakirjoissa tarkoittaa, että laitetta ja sen elektronisia lisävarusteita (esim. laturi, kuulokkeet tai USB-kaapeli) ei saa hävittää muiden kotitalousjätteiden mukana, kun laitteet tulevat elinkaarensa päähän. Älä hävitä niitä muiden jätteiden mukana, vaan toimita ne kierrätettäväksi. Näin estät mahdolliset ympäristö- ja terveyshaitat ja edistät samalla materiaalien kierrätystä.

Kotitalousasiakkaat saavat tarvittaessa tarkempia kierrätysohjeita jälleenmyyjältä tai paikallisesta jätehuollosta.

Yritysasiakkaiden tulee ottaa yhteyttä tavarantoimittajaan ja tarkistaa hankintasopimuksen ehdot. Tätä laitetta ja sen elektronisia lisävarusteita ei saa hävittää yhdessä muiden yritysätteiden kanssa.

Lisätietoja Samsungin ympäristösitoumuksista ja tuotekohtaisista lainsäädännöllisistä velvollisuuksista (esim. REACH ja WEEE tai akut) on kestävää toimintaa koskevalla sivulla sivustossamme www.samsung.com
(Koskee vain Euroopassa ja Yhdistyneessä kuningaskunnassa myytäviä tuotteita)

SAMSUNG

FRANCE	01 48 63 00 00	www.samsung.com/fr/support
GERMANY	06196 77 555 77	www.samsung.com/de/support
LUXEMBURG	261 03 710	www.samsung.com/be_fr/support
NETHERLANDS	088 90 90100	www.samsung.com/nl/support
BELGIUM	02-201-24-18	www.samsung.com/be/support (Dutch) www.samsung.com/be_fr/support (French)
NORWAY	21629099	www.samsung.com/no/support
DENMARK	707 019 70	www.samsung.com/dk/support
FINLAND	030-6227 515	www.samsung.com/fi/support
SWEDEN	0771-400 300	www.samsung.com/se/support
CYPRUS	8009 4000 only from landline, toll free	www.samsung.com/gr/support
GREECE	80111-SAMSUNG (80111 726 7864) only from land line (+30) 210 6897691 from mobile and land line	
ITALIA	800-SAMSUNG (800.7267864)	www.samsung.com/it/support
PORTUGAL	210 608 098 Chamada para a rede fixa nacional Dias úteis das 9h às 20h	www.samsung.com/pt/support
SPAIN	91175 0015	www.samsung.com/es/support



DA68-04838B-00