

TAKE RACING TO THE NEXT LEVEL®

ESI

HAPTIC

INSTRUCTION MANUAL

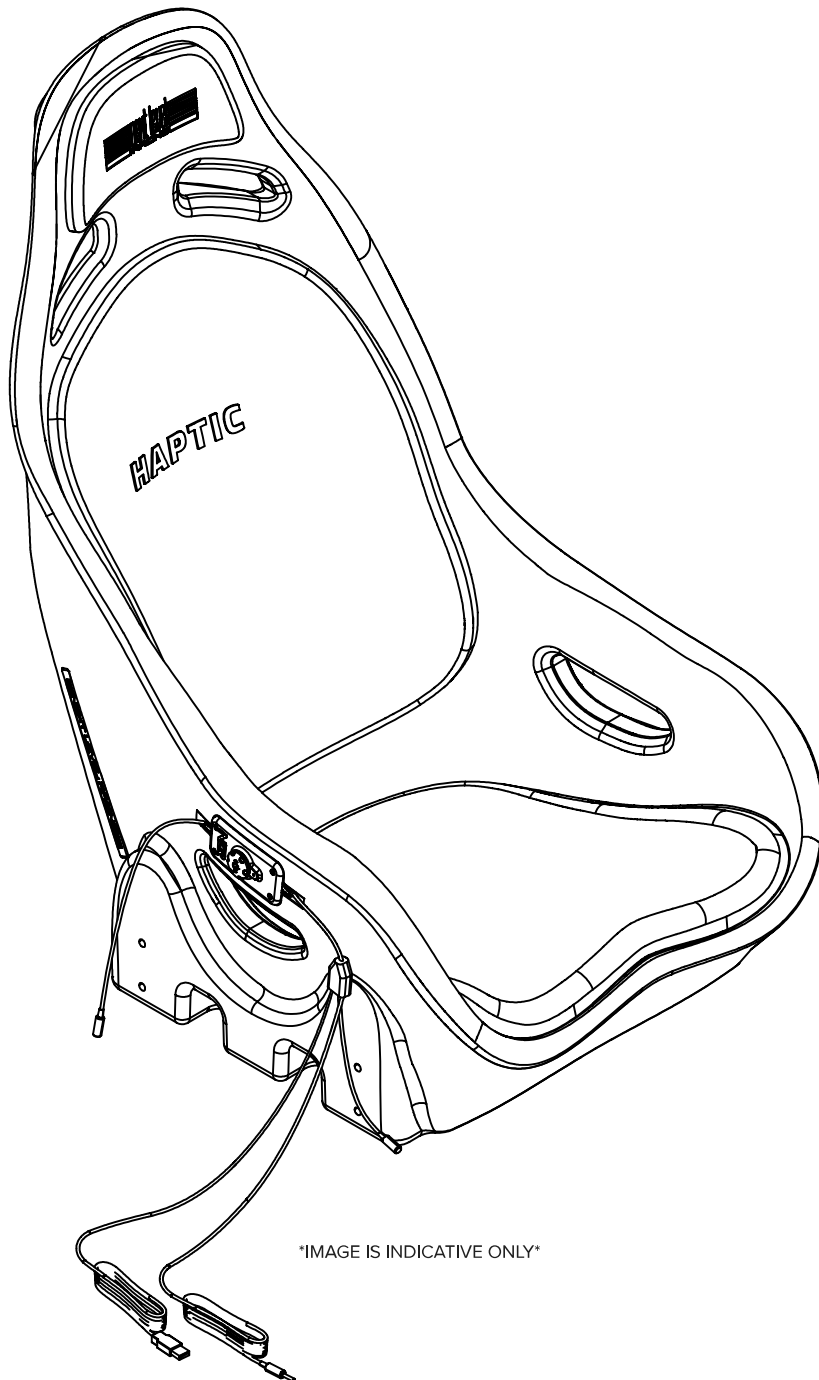


IMAGE IS INDICATIVE ONLY

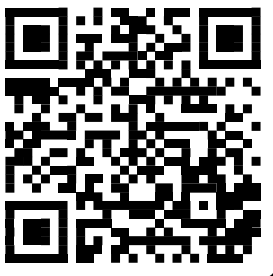


YOUR HAPTIC JOURNEY STARTS HERE



**ASSEMBLY
VIDEO**

bit.ly/nlrbuild



**FOLLOW
US**



@next_level_racing



@nextlevelracingOfficial



@nextlvlracing



Next Level Racing



support@nextlevelracing.com

**TAKE RACING
TO THE NEXT LEVEL[®]**

NEXTLEVELRACING.COM





support@nextlevelracing.com


PRE-RACE CHECKS

WARNING

- Read and understand this manual and its safety instructions before using this product.
- Only use the supplied power adapter.
- Do not use the seat unless securely mounted to compatible cockpits.
- Do not use power tools for assembly as over tightening can damage parts.
- Do not force parts together.
- Avoid cross threading bolts.
- Beware of sharp edges.
- Make sure all assembly fittings are securely tightened and check them regularly for safety and stability.
- Do not use the seating if any part is broken, torn, or missing.
- Seats are designed for simulators and esports, not for road use or in vehicle.



If you require any support with your product please contact our friendly team at:
support@nextlevelracing.com



WARNING
CHOKING HAZARD - Small parts not for children under 3 years or any individuals who have a tendency to place inedible objects in their mouths.





ASSEMBLY VIDEO

bit.ly/nlrbuild

**NLR-E067 ES1 HAPTIC FEEDBACK
SIM RACING SEAT
NLR-E067 INSTRUCTIONS**
Date of Document: October, 2025

Manufactured by:
Next Level Racing Simulations PTY LTD
23 Olympic CCT,
Southport, QLD, 4215
Australia



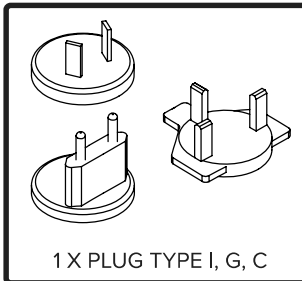
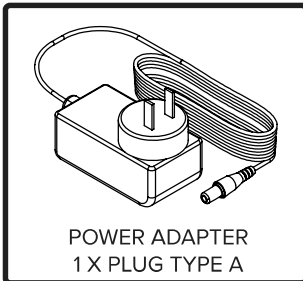
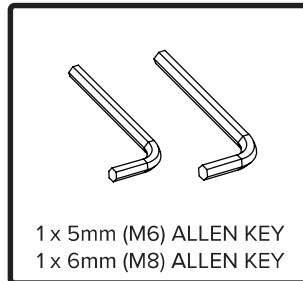
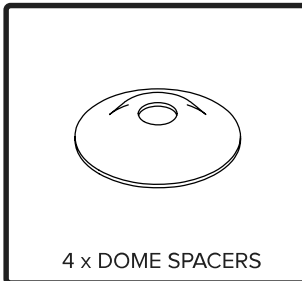
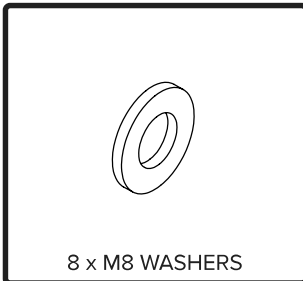
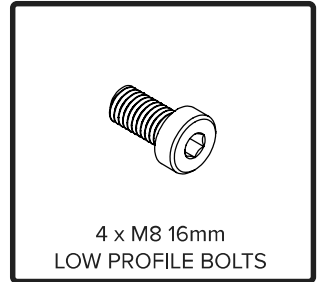
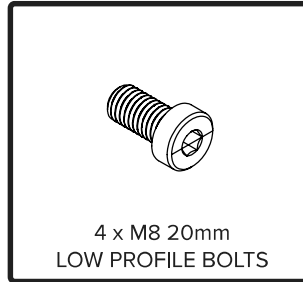
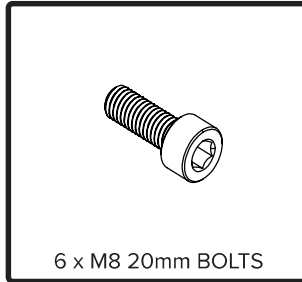
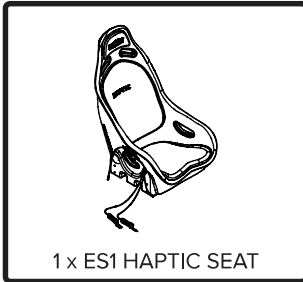


Video Instruction: bit.ly/nlrbuild

IN THE BOX

NOTE: Some Items Come with Rust Resistant Coating

**NOT TO SCALE*

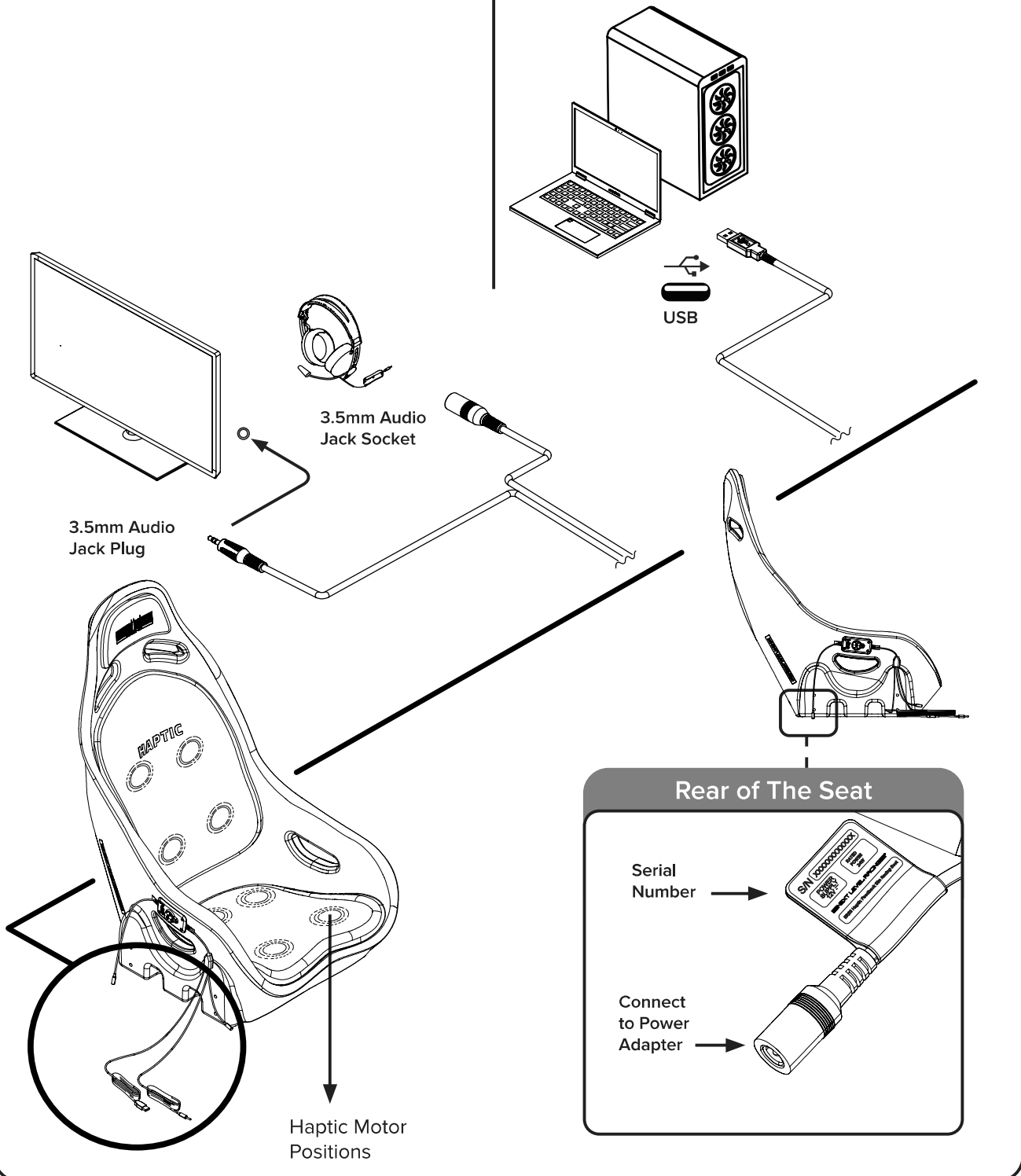




QUICK GUIDE

Sound Capture Mode Setup

PC Mode Setup





Video Instruction: bit.ly/nlrbuild

MODE SETUP

See section 8.4 Selecting a Mode for further details.

	Solid	PC Mode
	Flashing	Sound Capture
	Solid	Setup

PLEASE NOTE
 Seat Haptic Vibrations will be inactive in *Sound Capture Mode*, until audio is played.
 Seat Haptic Vibrations will be inactive in *PC Mode*, until gameplay is underway.

PC Mode

Download the HFS Software

For PC users, download at:
nextlevelracing.com/support-downloads/

If you require any support with your product please contact our friendly team at:
support@nextlevelracing.com

5 Sec

HOLD

Low High

INTENSITY



CONTENTS

1 INTRODUCTION	9
2 SAFETY INFORMATION	9
2.1 Explanation of Safety Warnings	9
2.2 Retaining Instructions	9
2.3 Obtaining Additional Documentation and Information	10
2.3.1 Internet	10
2.4 Intended Use and Reasonably Foreseeable Misuse	10
3 PRODUCT DETAILS	10
3.1 Power Supply Information	10
3.2 Product Compliance	10
4 SAFETY WARNINGS	11
4.1 How to Use the Next Level Racing ES1 Haptic Feedback Sim Racing Seat Safely	11
4.1.1 Safety information related to the intended use	11
4.1.2 Child Safety Information	11
4.1.3 Maintenance and Storage Safety	12
4.1.4 Repairs and Modifications	12
5 DISPOSALS	12
5.1 How to Dispose the Product	12
5.1.1 Disposal of electronic components	12
5.1.2 Disposal of packaging waste	13
6 INSTALL ES1 HAPTIC TO NEXT LEVEL RACING COCKPITS	13
6.1 NLR ELITE Cockpit Series Assembly for Side Mounting (Universal Seat Brackets required for GT ELITE LITE)	13
Foward and Backward Adjustment	14
Angle and Height Adjustment	15
6.2 NLR GTTRACK Assembly	16
Foward and Backward Adjustment	17
Angle and Height Adjustment	17
6.3 NLR F-GT Assembly	19
Foward and Backward Adjustment	20
Angle and Height Adjustment	20
7 OPERATION INSTRUCTIONS	22
7.1 What You Need	22
NLR ES1 Haptic Connections	22
7.2 How to Install and Power On	23
7.3 Understanding the Two Modes	23
7.4 Selecting a Mode	23
Option 1: PC Mode (USB)	23
Option 2: Sound Capture Mode (3.5mm Audio)	24
7.5 Adjusting Vibration Intensity	25



Video Instruction: bit.ly/nlrbuild

1 INTRODUCTION

Thank you for purchasing the Next Level Racing® ES1 Haptic Feedback Sim Racing Seat! This manual will guide you through setup, safety, and software connection to get racing faster. If you need help at any time, our support team is ready to assist: support@nextlevelracing.com

2 SAFETY INFORMATION

2.1 Explanation of Safety Warnings

DANGER

Danger indicates a high-risk hazard which, if not avoided, will result in death or serious injury.

WARNING

Warning indicates a medium-risk hazard which, if not avoided, could result in death or serious injury.

CAUTION

Caution indicates a low-risk hazard which, if not avoided, could result in minor injury or product damage.

NOTICE

Provides important information that is not related to hazards but is essential for proper use.

2.2 Retaining Instructions

Reminder: Before using this product, please ensure you've read and understood this manual and its safety instructions.

The product should only be used by individuals familiar with these safety guidelines. Failure to do so could result in serious injury.

- **Safety Compliance:** All users must fully understand and follow the safety instructions to avoid potential risks such as fire, electric shocks, or other hazards that could cause personal injury or property damage.
- **Retain this Manual:** Keep this manual in a safe location for future reference. If the product is passed on to another user, ensure they receive this manual and are aware of the safety instructions.
- **Warranty Considerations:** The warranty will be void if the product is misused or the safety instructions are ignored. The manufacturer is not liable for damage or injury caused by improper handling or non-compliance with these safety guidelines.



2.3 Obtaining Additional Documentation and Information

2.3.1 Internet

For additional product documentation or to obtain more information, visit our website:

<https://nextlevelracing.com>

For any questions, technical assistance, or to order user instructions, please contact our support team at: support@nextlevelracing.com


2.4 Intended Use and Reasonably Foreseeable Misuse

The Next Level Racing ES1 Haptic Racing Seat is designed solely for indoor gaming applications and should be used only within gaming simulators or esports environments. It must not be used in vehicles, on public roads, or for any non-gaming-related activity.

Any use beyond its intended purpose is considered misuse and may result in damage or injury.

3 PRODUCT DETAILS

3.1 Power Supply Information

Voltage/Frequency: **Input:** 100-240V AC, 0.8A, 50-60Hz, **Output:** 12V , 2A (24W)

3.2 Product Compliance

The Next Level Racing ES1 Haptic Racing Seat complies with the following product compliance standards:

- CE, ROHS, REACH, UKCA, RCM, FCC Part 15, PSE, KCC, CN ROHS, WEEE

FCC Compliance Statement:

This device complies with Part 15 of the FCC Rules. Operation is subject to the following two conditions:

1. This device may not cause harmful interference.
2. This device must accept any interference received, including interference that may cause undesired operation.

CAUTION

Any unauthorized changes or modifications to the Next Level Racing ES1 Haptic Racing Seat that are not expressly approved by the manufacturer or the party responsible for compliance may void your right to operate the product and could result in the seat no longer meeting safety standards, posing a potential hazard or malfunction.

Note: This equipment has been tested and found to comply with the limits for a Class B digital device, per Part 15 of the FCC Rules. These limits are designed to provide reasonable protection against harmful interference in residential installations. This equipment generates, uses, and can radiate radio frequency energy, and if not installed or used according to the instructions, may cause harmful interference to radio communications. However, there is no guarantee that interference will not occur in a particular installation. If harmful interference occurs, the user is encouraged to take



Video Instruction: bit.ly/nlrbuild

the following corrective actions:

- Reorient or relocate the product or receiver.
- Increase the separation between the equipment and receiver.
- Connect the equipment to an outlet on a circuit different from the receiver.
- Consult the manufacturer or a qualified technician for further assistance.

4 SAFETY WARNINGS

WARNING

4.1 How to Use the Next Level Racing ES1 Haptic Feedback Sim Racing Seat Safely

4.1.1 Safety information related to the intended use

- **Not Suitable for Individuals with Impaired Abilities:** The product is not intended for use by individuals (including children) with physical, sensory, or intellectual disabilities, or those lacking experience or knowledge, unless under the supervision of a responsible person or provided with appropriate instructions.
- **Individual Use Only:** The ES1 Haptic Racing Seat is intended for individual use only.
- **Power Supply Compatibility:** Ensure that the power supply matches the seat's voltage and current specifications. Only use the power supply adapter provided with the product.
- **Risk of Electric Shock:** To prevent electrical shock, never immerse the seat in liquid and ensure that no water enters the interior of the seat.
- **Visible Damage or Excessive Heat:** If the seat, power supply cord or power adapter shows visible damage, unusual odors, or excessive heat during use, stop using the seat immediately and disconnect it from the power supply.

DANGER

4.1.2 Child Safety Information

- **Child Safety:** Keep children away from the seat to prevent injury. Always supervise children to prevent them from tampering with the product.
- **Packaging Materials:** Never leave children unattended with packaging material, as it may pose a suffocation hazard.



DANGER

4.1.3 Maintenance and Storage Safety

- **Disconnect Before Cleaning:** Always unplug the seat before cleaning to avoid electrical hazards.
- **Cleaning Instructions:** Use damp cloth moistened with warm water for cleaning. Avoid water from entering the internal components of the seat to prevent electrical damage or electrocution.
- **Extended Non-Use:** If the seat is not going to be used for an extended period, unplug it from the power supply to prevent electrical malfunctions or damage due to power surges.
- **Proper Storage:** Store the seat in a cool, dry location, away from direct sunlight, moisture, or heat sources, to ensure the longevity of internal components.

CAUTION

4.1.4 Repairs and Modifications

- **Repairs or Modifications:** Do not attempt to open, modify, or repair the product. Unauthorized changes will void the warranty and could result in malfunction or hazards.
- **Use Only Original Accessories:** Always use original accessories and spare parts provided by the manufacturer. Unauthorized modifications or third-party parts may compromise product safety and performance.

Compliance and Safety Reminder

Failure to adhere to the safety instructions may result in severe injury, electrical shock, or product damage. Always follow the manual's guidelines for setup, usage, and maintenance. Ensure that all users are well-informed about safety precautions before use.

For further assistance or inquiries, please contact us at: support@nextlevelracing.com

5 DISPOSALS

5.1 How to Dispose the Product

5.1.1 Disposal of electronic components



The symbol on the product, the accessories or packaging indicates that this device must not be treated as unsorted municipal waste but must be collected separately. Dispose of the device via a collection point for the recycling of waste electrical and electronic equipment if you live within the EU and in other European countries that operate separate collection systems for waste electrical and electronic equipment. By disposing of the device in the proper manner, you help to mitigate possible hazards for the environment and



Video Instruction: bit.ly/nlrbuild

public health that are caused by improper disposal of electronic waste. The recycling of materials contributes to the conservation of natural resources. Do not dispose of your old electrical and electronic equipment with the unsorted municipal waste.

5.1.2 Disposal of packaging waste

The packaging is made of environmentally friendly materials where possible, which may be disposed through your local recycling facilities. By disposing of the packaging and packaging waste in the proper manner, you help to avoid possible hazards for the environment and public health. The symbol on the packaging indicates that the packaging is made of PAP.

6 INSTALL ES1 HAPTIC TO NEXT LEVEL RACING COCKPITS

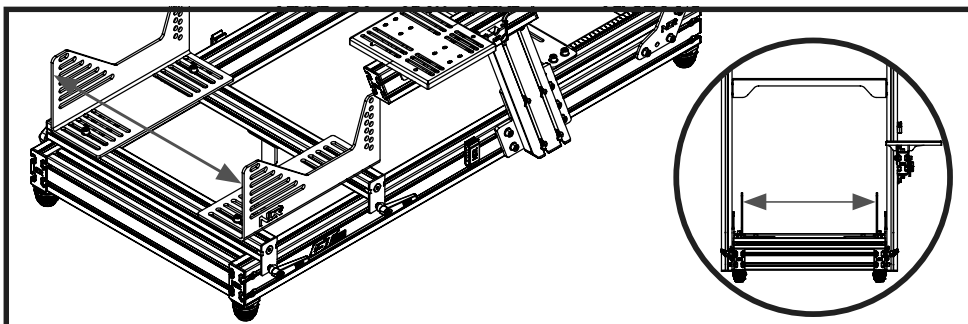
6.1 NLR ELITE Cockpit Series Assembly for Side Mounting

(Universal Seat Brackets required for GT ELITE LITE)

NOTE: Attach your seat to a cockpit before using. Follow instructions below to attach onto Next Level Racing Cockpits. Once the seat is installed to cockpit go to page 22, section 7 for operating instructions.



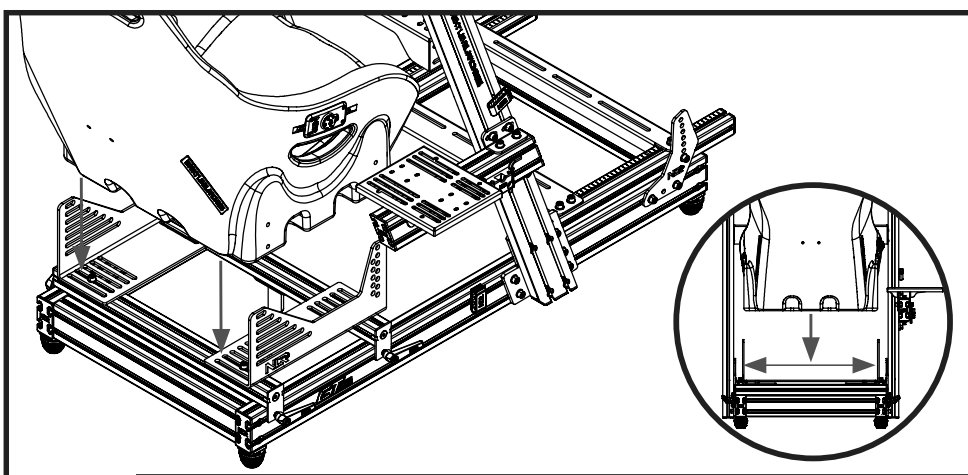
WARNING: Steps following ES1 Haptic Seat assembly, show typical ES1 Haptic seat assembly to cockpit frames. These steps do not show cable management. Please take caution of cable management and ensure cables do not get pinched with seat & frame assembly. Do not place cables on or over seat sliders.



01 Check internal Seat Brackets width 500mm.

PARTS:


- NIL

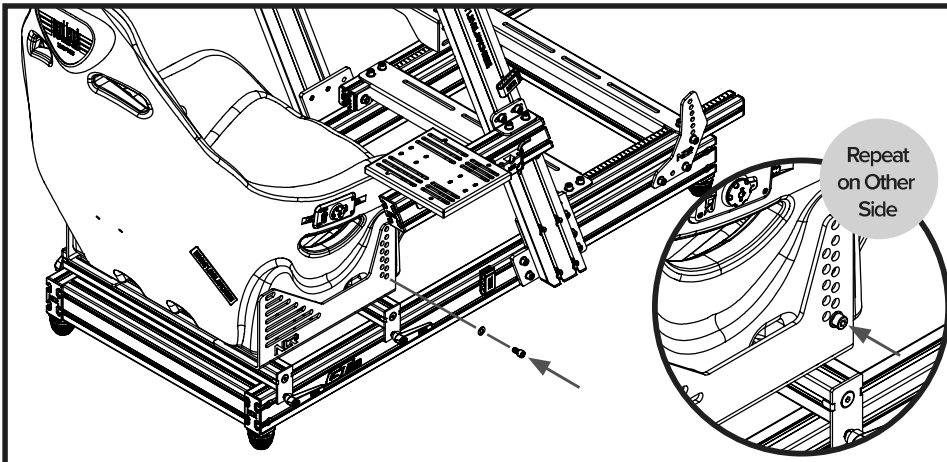


02 Confirm fit of Seat with position of Seat Brackets.

PARTS:

- 1 x ES1 Haptic Seat





PARTS:

- 2 x M8 16mm Low Profile Bolts

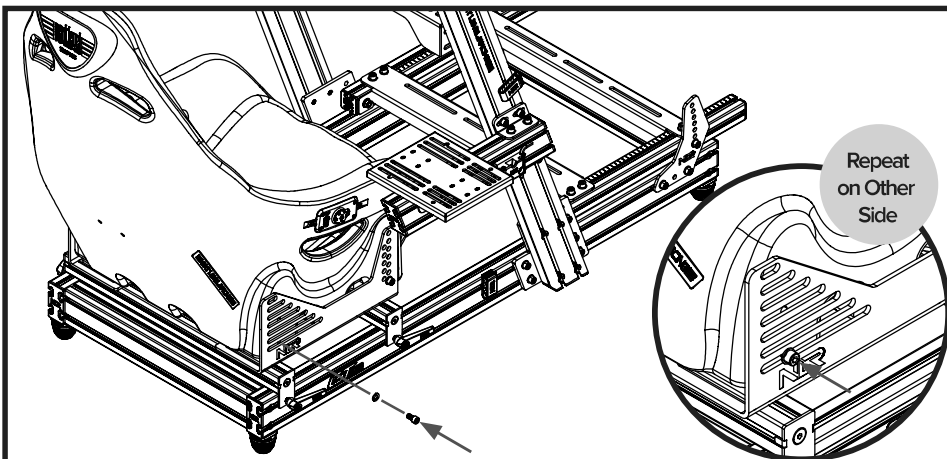


- 2 x M8 Washer



03

Install front M8 Bolt and Washer through Seat Bracket into seat inserts. Repeat on other side.



PARTS:

- 2 x M8 16mm Low Profile Bolts



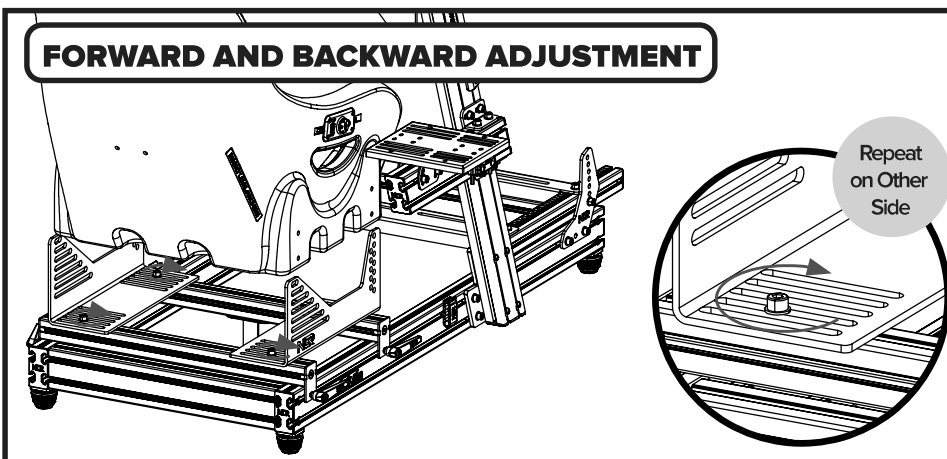
- 2 x M8 Washer



04

Install rear M8 Bolt and Washer through Seat Bracket into seat inserts. Repeat on other side.

FORWARD AND BACKWARD ADJUSTMENT



PARTS:

- NIL

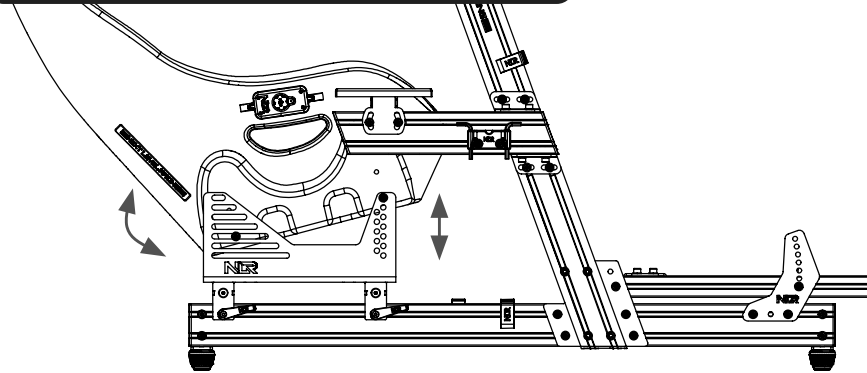
05

Adjust the Seat to the desired distance from pedals. Secure the Bolts connecting the Seat Brackets to the Base Members.



Video Instruction: bit.ly/nlrbuild

ANGLE AND HEIGHT ADJUSTMENT

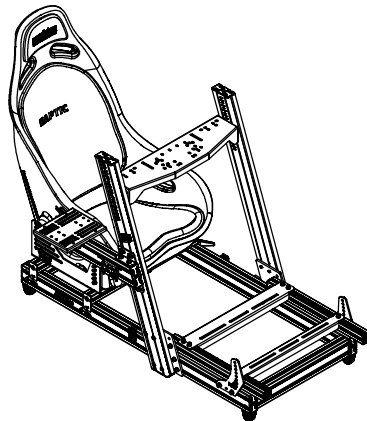


PARTS:

- NIL

06

For angle and height adjustment use the variety of mounting holes and slots provided on the Seat Brackets.



PARTS:

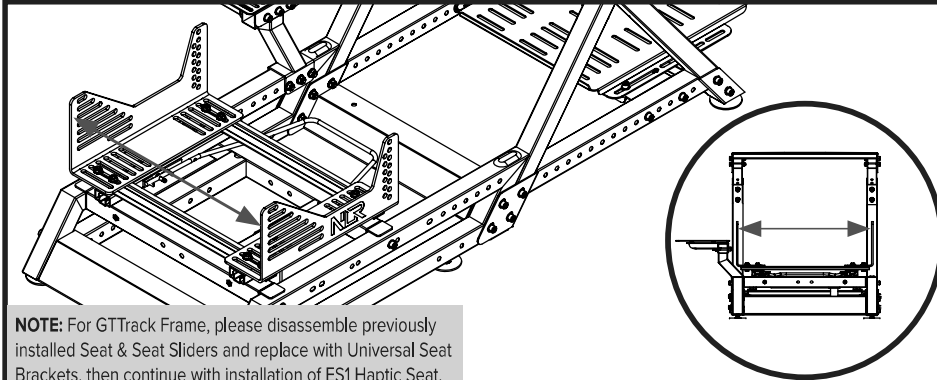
- NIL

07

Your ES1 Haptic Seat installation is complete on the Elite Series cockpit.



6.2 NLR GTRACK Assembly



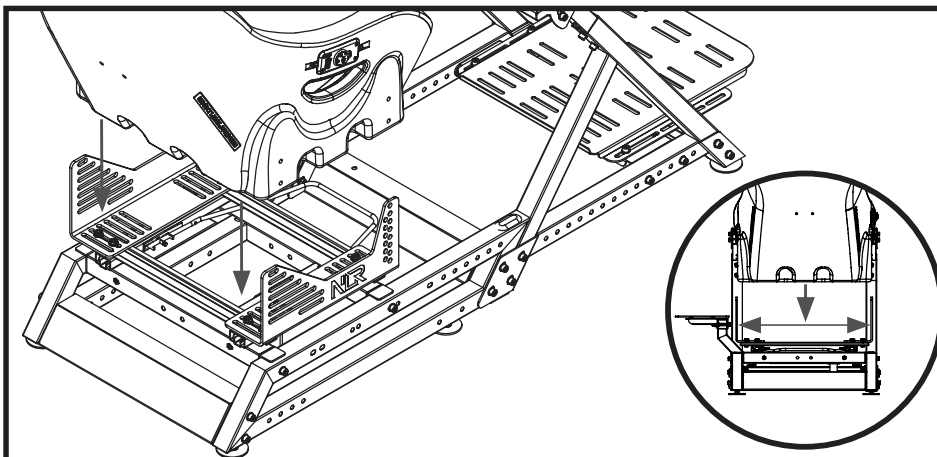
NOTE: For GTTrack Frame, please disassemble previously installed Seat & Seat Sliders and replace with Universal Seat Brackets, then continue with installation of ES1 Haptic Seat.

PARTS:

- NIL

08

Check internal Seat Brackets width 500mm.



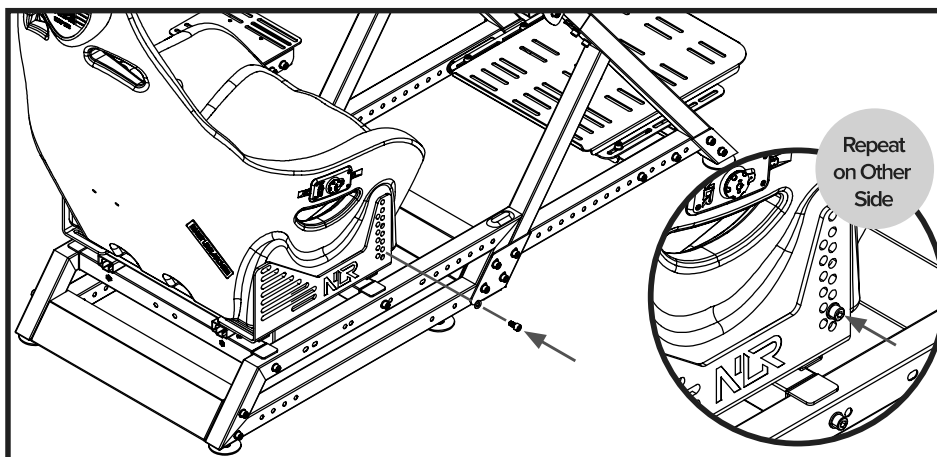
PARTS:

- 1 x ES1 Haptic Seat



09

Confirm fit of Seat with position of Seat Brackets.



PARTS:

- 2 x M8 16mm Low Profile Bolts



- 2 x M8 Washer

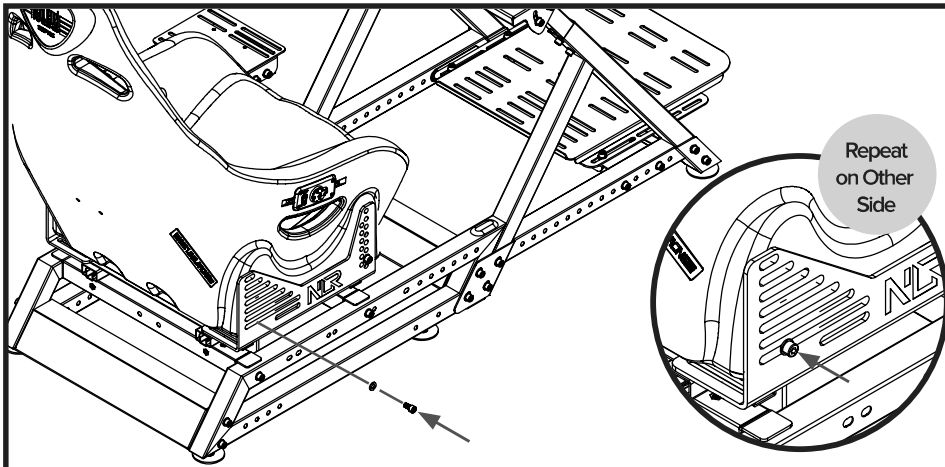


10

Install front M8 Bolt and Washer through Seat Bracket into seat inserts. Repeat on other side.



Video Instruction: bit.ly/nlrbuild



PARTS:

- 2 x M8 16mm Low Profile Bolts



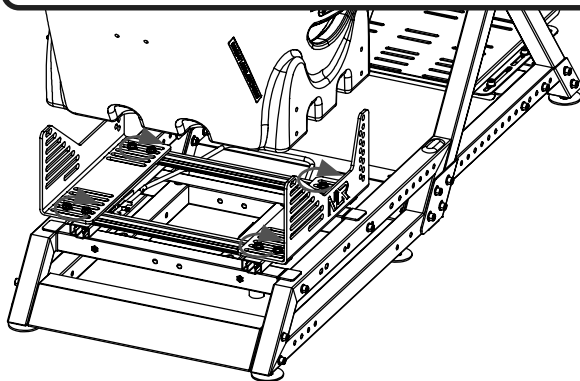
- 2 x M8 Washer



11

Install rear M8 Bolt and Washer through Seat Bracket into seat inserts. Repeat on other side.

FORWARD AND BACKWARD ADJUSTMENT



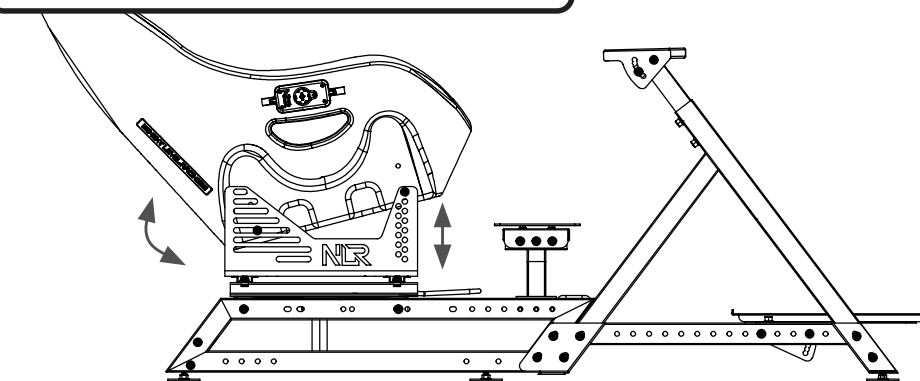
PARTS:

- NIL

12

Adjust the Seat to the desired distance from pedals. Secure the Bolts connecting the Seat Brackets to the Base Members.

ANGLE AND HEIGHT ADJUSTMENT



PARTS:

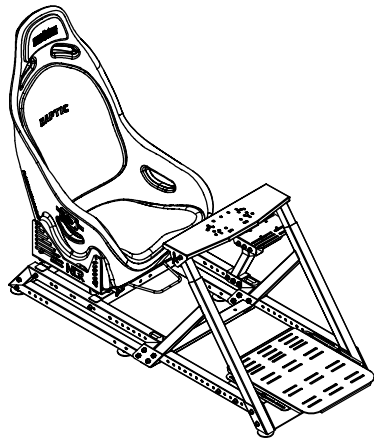
- NIL

13

For angle and height adjustment use the variety of mounting holes and slots provided on the Seat Brackets.



support@nextlevelracing.com



PARTS:

- NIL

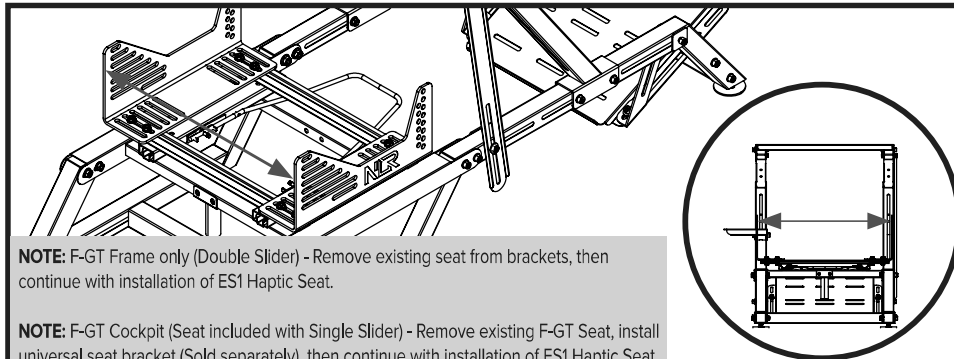
14

Your ES1 Haptic Seat installation is complete on the GTTrack cockpit.



Video Instruction: bit.ly/nlrbuild

6.3 NLR F-GT Assembly



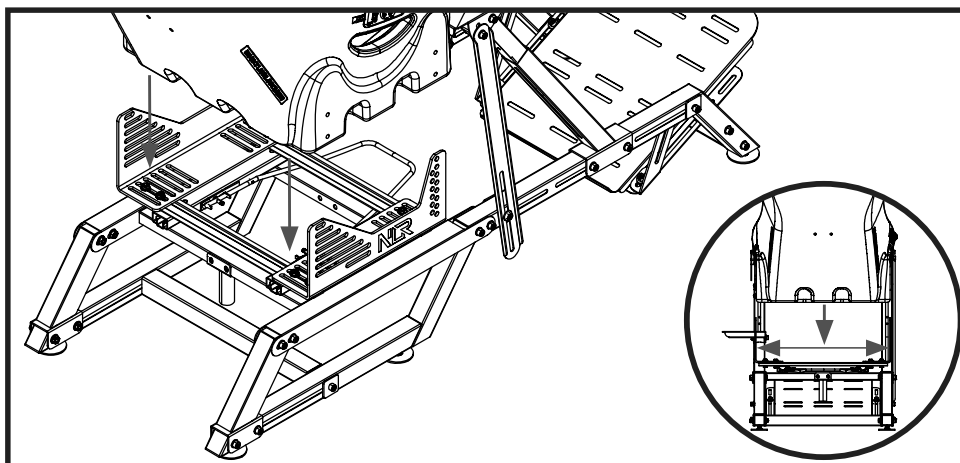
NOTE: F-GT Frame only (Double Slider) - Remove existing seat from brackets, then continue with installation of ES1 Haptic Seat.

NOTE: F-GT Cockpit (Seat included with Single Slider) - Remove existing F-GT Seat, install universal seat bracket (Sold separately), then continue with installation of ES1 Haptic Seat.

PARTS:

- NIL

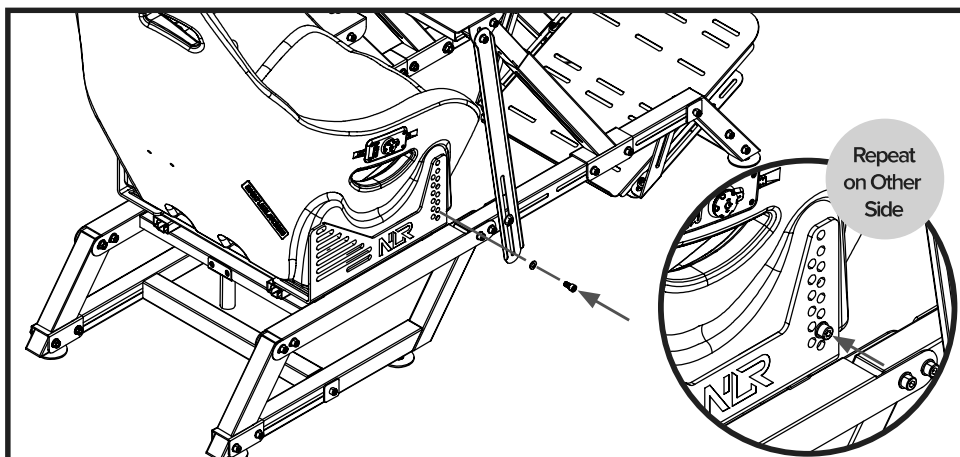
15 Check internal Seat Brackets width 500mm .



PARTS:

- 1 x ES1 Haptic Seat

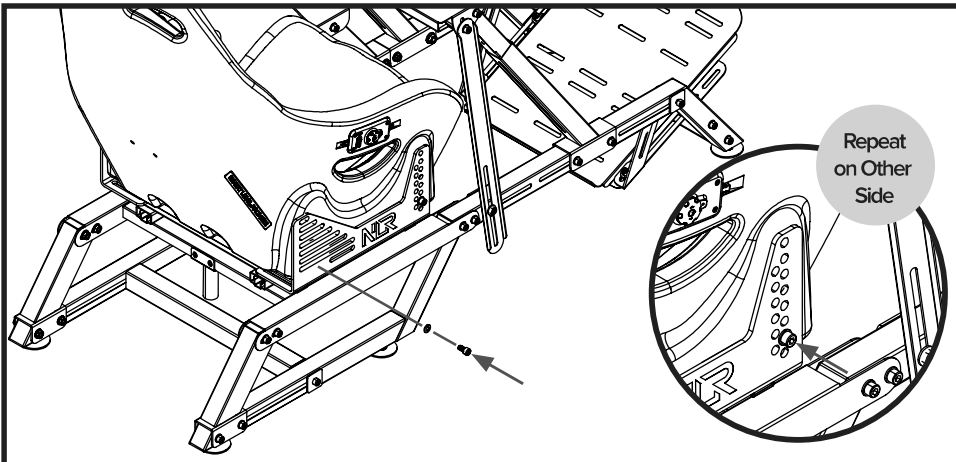
16 Confirm fit of Seat with position of Seat Brackets.



PARTS:

- 2 x M8 16mm Low Profile Bolts
- 2 x M8 Washer

17 Install front M8 Bolt and Washer through Seat Bracket into seat inserts. Repeat on other side.



PARTS:

- 2 x M8 16mm Low Profile Bolts



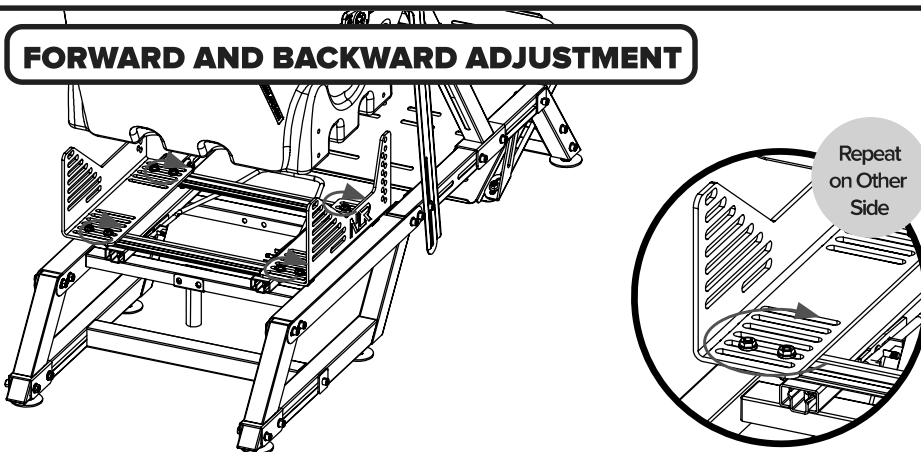
- 2 x M8 Washer



18

Install rear M8 Bolt and Washer through Seat Bracket into seat inserts. Repeat on other side.

FORWARD AND BACKWARD ADJUSTMENT



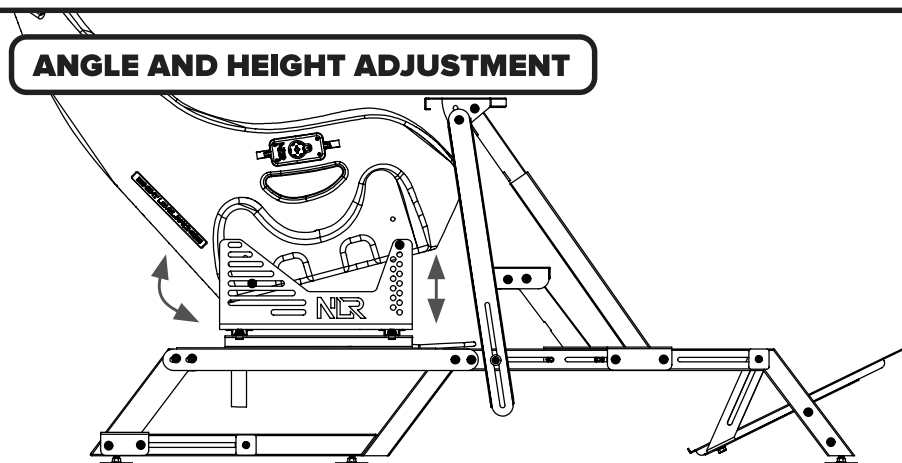
PARTS:

- NIL

19

Adjust the Seat to the desired distance from pedals. Secure the Bolts connecting the Seat Brackets to the Base Members.

ANGLE AND HEIGHT ADJUSTMENT



PARTS:

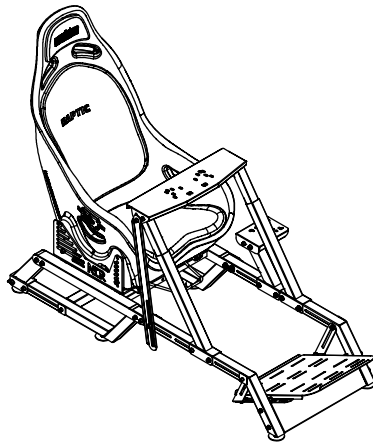
- NIL

20

For angle and height adjustment use the variety of mounting holes and slots provided on the Seat Brackets.



Video Instruction: bit.ly/nlrbuild



PARTS:

- NIL

21

Your ES1 Haptic Seat installation is complete on the F-GT cockpit.



7 OPERATION INSTRUCTIONS

7.1 What You Need

To install and operate your Next Level Racing® ES1 Haptic Feedback Sim Racing Seat, you will need:

- The fully assembled ES1 Haptic Racing Seat mounted to compatible cockpit solutions that accept side mounting seats
- Power adapter and appropriate plug type
- This User Guide
- A PC with internet access (for PC Mode Setup)
- Serial number located on the power cable connected to the rear of the Seat Bottom (for PC Model Setup)
- Next Level Racing® HFS Software (for PC Model Setup) — download from: <https://nextlevelracing.com/support-downloads>
- For the latest documentation, please visit: <https://nextlevelracing.com>

NLR ES1 HAPTIC CONNECTIONS

PARTS:

- 1 x Power Adapter Plug Type A

22 A) Connect the attached Power Cables (1) & (2) together located on the back of the seat as shown. B) Connect the Power Adapter to the Power Supply.

PARTS:

- Plug Types: I, G, C



23 A) Connect the Power Adapter to the supplied plug types that suit your power outlet. B) Press Power Button on the controller to turn on and off.



Video Instruction: bit.ly/nlrbuild

7.2 How to Install and Power On

1. Assemble the seat and securely attach to your cockpit.
2. Plug the power adapter into a wall outlet and connect to the seat.
3. Press the power button on the controller to turn the seat on.
4. LED indicator will show the current mode:

 Solid	PC Mode
 Flashing	Sound Capture Mode

7.3 Understanding the Two Modes

The Next Level Racing® ES1 Haptic Racing Seat offers two distinct operation modes to suit different setups:

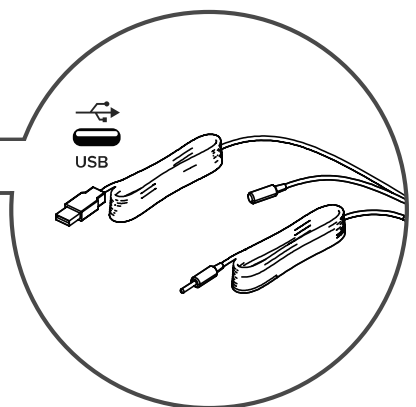
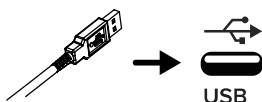
- **PC Mode** – Designed for use with a PC via USB connection. This mode enables control of the seat's eight haptic zones. The ES1 Haptic Racing Seat requires software to connect to the games and use telemetry data to give the best experience possible, we have provided software called Next Level Racing HFS which is available for download <https://nextlevelracing.com/support-downloads>
- **Sound Capture Mode** – Designed for use via a 3.5mm audio cable. In this mode, the seat responds to sounds and converts it into vibration feedback — no software required.

7.4 Selecting a Mode

The seat operates in two modes depending on your setup:

Option 1: PC Mode (USB)

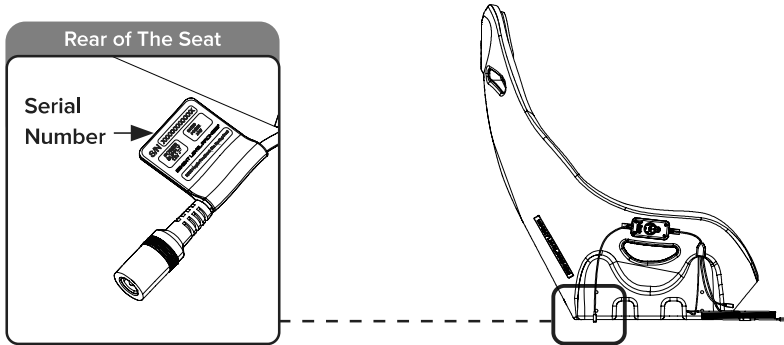
1. Connect the seat to your PC using the supplied USB cable.



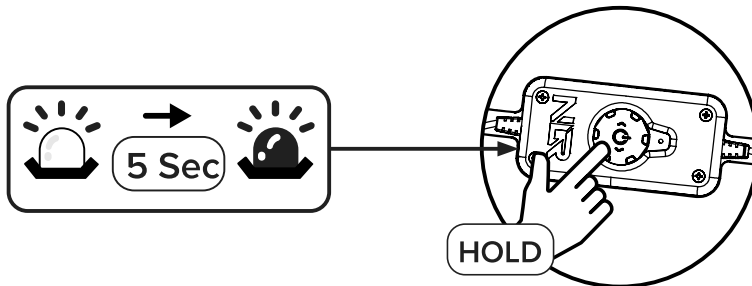
2. Go to: <https://nextlevelracing.com/support-downloads>



- When prompted, enter your product serial number to download the software



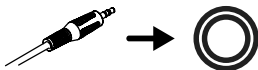
- Switch to PC Mode by pressing and holding the button on the controller for 5 seconds. The LED will turn white while holding the button. A solid light indicates PC mode.



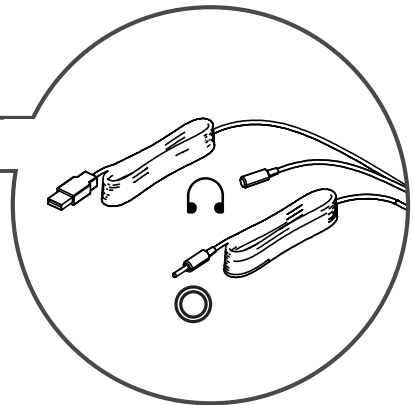
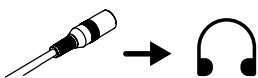
- Use the HFS software to control vibration and fine-tune each haptic zone. The software supports a range of compatible games.

Option 2: Sound Capture Mode (3.5mm Audio)

- Connect the 3.5mm male audio cable from the seat to the headphone jack on your audio source.



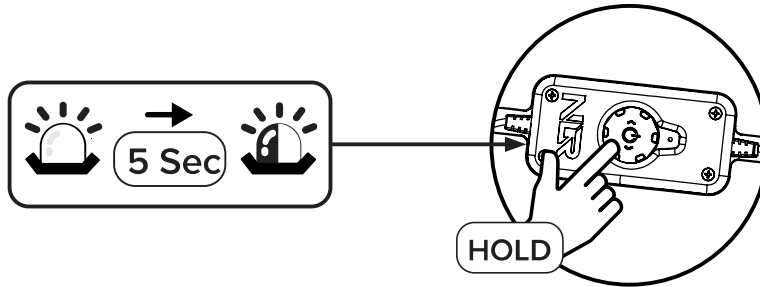
- (Optional) Plug your headphones into the headphone pass-through port on the seat.





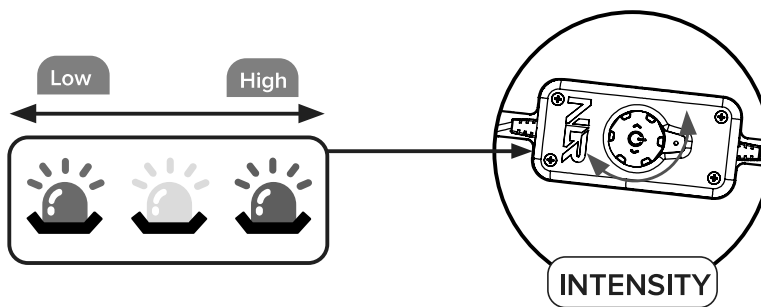
Video Instruction: bit.ly/nlrbuild

3. Switch to Sound Capture Mode by pressing and holding the button on the controller for 5 seconds. The LED will turn white while holding the button. A flashing light indicates Sound Capture Mode.



7.5 Adjusting Vibration Intensity

To adjust the vibration level, rotate the intensity knob on the controller. Red LED = Highest intensity; Green LED = Lowest intensity.



NOTE:

The seat will remember and start in the last-used mode and vibration intensity on next power-up.

PLEASE NOTE:

Seat Haptic Vibrations will be inactive in *Sound Capture Mode*, until audio is played.

For questions, information, technical assistance, please contact our team at support@nextlevelracing.com



Video Instruction: bit.ly/nlrbuild

DE

ES1 Haptic Seat Bedienungsanleitung

CHECKS VOR DEM RENNEN

WARNUNG

- Lesen und verstehen Sie dieses Handbuch und die dazugehörigen Sicherheitshinweise, bevor Sie dieses Produkt verwenden.
- Verwenden Sie nur das mitgelieferte Netzteil.
- Verwenden Sie den Sitz nur, wenn er sicher montiert ist.
- Verwenden Sie für die Montage keine Elektrowerkzeuge, da ein zu festes Anziehen die Teile beschädigen kann.
- Schieben Sie die Teile nicht gewaltsam zusammen.
- Vermeiden Sie Kreuzgewindebolzen.
- Vorsicht vor scharfen Kanten.
- Vergewissern Sie sich, dass alle Montagebeschläge fest angezogen sind und überprüfen Sie sie regelmäßig auf Sicherheit und Stabilität.
- Verwenden Sie die Sitze nicht, wenn ein Teil gebrochen, zerrissen oder fehlend ist.
- Die Sitze sind für Simulatoren und Esports konzipiert, nicht für den Straßenverkehr oder in einem Fahrzeug.

Wenn Sie Unterstützung bei Ihrem Produkt benötigen, wenden Sie sich bitte an unser freundliches Team unter: support@nextlevelracing.com

WARNUNG VOR ERSTICKUNGSGEFAHR

ERSTICKUNGSGEFAHR - Kleinteile, die nicht für Kinder unter 3 Jahren oder Personen geeignet sind, die dazu neigen, ungenießbare Gegenstände in den Mund zu nehmen.

KURZANLEITUNG

Einrichtung des Sound-Capture-Modus: 3,5-mm-Audio-Klinkenstecker, 3,5-mm-Audio-Klinkenbuchse

Einrichtung des PC-Modus: USB

Rückseite des Sitzes Seriennummer, an den Netzstecker anschließen

MODUS EINRICHTEN

Weitere Informationen finden Sie im Abschnitt 8.4, Auswählen eines Modus.

Einfarbiges Licht: PC-Modus Blinklicht: Sound-Capture-Modus Durchgehend weißes Licht: Änderung des Setups (HOLD ON/OFF-Taste 5 Sekunden)

Vibrationsintensität Niedrig: Grün Mittel: Gelb

Hoch: Rot

BITTE BEACHTEN Sie

, dass die haptischen Vibrationen des Sitzes im Sound Capture-Modus inaktiv sind, bis Audio abgespielt wird.

Die haptischen Vibrationen der Sitze sind im PC-Modus inaktiv, bis das Spiel begonnen hat.

PC-Modus Laden Sie die HFS-Software herunter

Für PC-Benutzer zum Download unter:

nextlevelracing.com/support-downloads/

Wenn Sie Unterstützung bei Ihrem Produkt benötigen, wenden Sie sich bitte an unser freundliches Team unter:

support@nextlevelracing.com

1 EINLEITUNG

Vielen Dank, dass Sie sich für den Next Level Racing® ES1 Haptic Feedback Sim Racing Sitz entschieden haben! Dieses Handbuch führt Sie durch die Einrichtung, Sicherheit und Softwareverbindung, um schneller Rennen zu fahren. Wenn Sie jederzeit Hilfe benötigen, steht Ihnen unser Support-Team zur Verfügung:

support@nextlevelracing.com

2 SICHERHEITSHINWEISE

2.1 Erläuterung der Sicherheitshinweise

GEFAHR

Gefahr weist auf eine Gefahr mit hohem Risiko hin, die, wenn sie nicht vermieden wird, zum Tod oder zu schweren Verletzungen führt.



DE

WARNUNG

Die Warnung weist auf eine Gefahr mit mittlerem Risiko hin, die, wenn sie nicht vermieden wird, zum Tod oder zu schweren Verletzungen führen kann.

VORSICHT

Vorsicht weist auf eine Gefahr mit geringem Risiko hin, die, wenn sie nicht vermieden wird, zu leichten Verletzungen oder Produktschäden führen kann.

BEMERKEN

Enthält wichtige Informationen, die sich nicht auf Gefahren beziehen, aber für die ordnungsgemäße Verwendung unerlässlich sind.

2.2 Hinweise zur Aufbewahrung

Zur Erinnerung: Bevor Sie dieses Produkt verwenden, stellen Sie bitte sicher, dass Sie dieses Handbuch und die dazugehörigen Sicherheitshinweise gelesen und verstanden haben.

Das Produkt darf nur von Personen verwendet werden, die mit diesen Sicherheitsrichtlinien vertraut sind. Andernfalls kann es zu schweren Verletzungen kommen.

- Einhaltung der Sicherheitsvorschriften: Alle Benutzer müssen die Sicherheitshinweise vollständig verstehen und befolgen, um potenzielle Risiken wie Feuer, Stromschläge oder andere Gefahren zu vermeiden, die zu Personen- oder Sachschäden führen könnten.
- Bewahren Sie dieses Handbuch auf: Bewahren Sie dieses Handbuch zum späteren Nachschlagen an einem sicheren Ort auf. Wenn das Produkt an einen anderen Benutzer weitergegeben wird, stellen Sie sicher, dass dieser dieses Handbuch erhält und die Sicherheitshinweise kennt.
- Überlegungen zur Garantie: Die Garantie erlischt, wenn das Produkt missbraucht wird oder die Sicherheitshinweise ignoriert werden. Der Hersteller haftet nicht für Schäden oder Verletzungen, die durch unsachgemäße Handhabung oder Nichtbeachtung dieser Sicherheitsrichtlinien verursacht werden.

2.3 Beschaffung zusätzlicher Unterlagen und Informationen

2.3.1 Internet (englisch)

Weitere Produktdokumentationen oder weitere Informationen finden Sie auf unserer Website:

<https://nextlevelracing.com>

Bei Fragen, technischer Unterstützung oder zur Bestellung von Bedienungsanleitungen wenden Sie sich bitte an unser Support-Team unter:

support@nextlevelracing.com

2.4 Bestimmungsgemäße Verwendung und vernünftigerweise vorhersehbare Fehlanwendung

Der Next Level Racing ES1 Haptic Racing Sitz wurde ausschließlich für Indoor-Gaming-Anwendungen entwickelt und sollte nur in Gaming-Simulatoren oder E-Sport-Umgebungen verwendet werden. Es darf nicht in Fahrzeugen, auf öffentlichen Straßen oder für andere Aktivitäten verwendet werden, die nichts mit Spielen zu tun haben.

Jede über den vorgesehenen Verwendungszweck hinausgehende Verwendung gilt als Missbrauch und kann zu Schäden oder Verletzungen führen.

3 PRODUKTDDETAILS

3.1 Informationen zur Stromversorgung

Spannung/Frequenz: Eingang: 100-240V AC, 0,8A, 50-60Hz, Ausgang: 12V 2A (24W)

3.2 Produktkonformität

Der Next Level Racing ES1 Haptic Racing Sitz erfüllt die folgenden Produkt-Compliance-Normen:

CE, ROHS, REACH, UKCA, RCM, FCC Teil 15, PSE, KCC, CN ROHS, WEEE

FCC-Konformitätserklärung:

Dieses Gerät entspricht Teil 15 der FCC-Bestimmungen. Der Betrieb unterliegt den folgenden zwei Bedingungen:

1. Dieses Gerät darf keine schädlichen Interferenzen verursachen.
2. Dieses Gerät muss alle empfangenen Interferenzen akzeptieren, einschließlich Interferenzen, die einen unerwünschten Betrieb verursachen können.

VORSICHT

Nicht autorisierte Änderungen oder Modifikationen am Next Level Racing ES1 Haptic Racing Sitz, die nicht ausdrücklich vom Hersteller oder der für die Einhaltung verantwortlichen Partei genehmigt wurden, können zum Erlöschen Ihres Rechts zum Betrieb des Produkts führen und dazu führen, dass der Sitz nicht mehr den Sicherheitsstandards entspricht, was eine potenzielle Gefahr oder Fehlfunktion darstellt.

Hinweis: Dieses Gerät wurde getestet und entspricht den Grenzwerten für ein digitales Gerät der Klasse B gemäß Teil 15 der FCC-Bestimmungen. Diese Grenzwerte sollen einen angemessenen Schutz vor schädlichen Interferenzen in Wohnanlagen bieten. Dieses



DE

Gerät erzeugt, verwendet und kann Hochfrequenzenergie ausstrahlen und kann, wenn es nicht gemäß den Anweisungen installiert oder verwendet wird, schädliche Interferenzen bei der Funkkommunikation verursachen. Es gibt jedoch keine Garantie dafür, dass bei einer bestimmten Installation keine Interferenzen auftreten. Wenn schädliche Interferenzen auftreten, wird der Benutzer aufgefordert, die folgenden Korrekturmaßnahmen zu ergreifen:

- Richten Sie das Produkt oder den Empfänger neu aus oder stellen Sie es um.
- Vergrößern Sie den Abstand zwischen Gerät und Empfänger.
- Schließen Sie das Gerät an eine Steckdose an, die sich von dem des Empfängers unterscheidet.
- Wenden Sie sich an den Hersteller oder einen qualifizierten Techniker, um weitere Unterstützung zu erhalten.

4 SICHERHEITSHINWEISE

4.1 So verwenden Sie den Next Level Racing ES1 Haptic Feedback Sim Racing Sitz sicher

4.1.1 Sicherheitshinweise zum Verwendungszweck

- Nicht geeignet für Personen mit eingeschränkten Fähigkeiten: Das Produkt ist nicht für die Verwendung durch Personen (einschließlich Kinder) mit körperlichen, sensorischen oder geistigen Behinderungen oder Personen ohne Erfahrung oder Wissen bestimmt, es sei denn, es wird von einer verantwortlichen Person beaufsichtigt oder mit entsprechenden Anweisungen versehen.
- Nur für den persönlichen Gebrauch: Der ES1 Haptic Racing Seat ist nur für den individuellen Gebrauch bestimmt.
- Kompatibilität des Netzteils: Stellen Sie sicher, dass das Netzteil den Spannungs- und Stromspezifikationen des Sitzes entspricht.

Verwenden Sie nur das mit dem Produkt gelieferte Netzteil.

- Gefahr eines Stromschlags: Um einen Stromschlag zu vermeiden, tauchen Sie den Sitz niemals in Flüssigkeit und stellen Sie sicher, dass keine Flüssigkeit oder Schmutz in das Innere des Sitzes gelangt.
- Sichtbare Beschädigung oder übermäßige Hitze: Wenn der Sitz, das Netzkabel oder das Netzteil während des Gebrauchs sichtbare Schäden, ungewöhnliche Gerüche oder übermäßige Hitze aufweist, stellen Sie die Verwendung des Sitzes sofort ein und trennen Sie ihn von der Stromversorgung.

GEFAHR

4.1.2 Informationen zur Kindersicherheit

- Kindersicherheit: Halten Sie Kinder vom Sitz fern, um Verletzungen zu vermeiden. Beaufsichtigen Sie Kinder immer, um zu verhindern, dass sie das Produkt manipulieren.
- Verpackungsmaterialien: Lassen Sie Kinder niemals unbeaufsichtigt mit Verpackungsmaterial, da es eine Erstickungsgefahr darstellen kann.

GEFAHR

4.1.3 Wartungs- und Lagersicherheit

- Vor der Reinigung vom Stromnetz trennen: Ziehen Sie vor der Reinigung immer den Netzstecker, um elektrische Gefahren zu vermeiden.
- Reinigungshinweise: Verwenden Sie zur Reinigung ein feuchtes, mit warmem Wasser angefeuchtetes Tuch. Vermeiden Sie, dass Wasser in die internen Komponenten des Sitzes eindringt, um elektrische Schäden oder Stromschläge zu vermeiden.
- Längere Nichtbenutzung: Wenn der Sitz längere Zeit nicht benutzt wird, ziehen Sie den Netzstecker, um elektrische Fehlfunktionen oder Schäden durch Stromstöße zu vermeiden.
- Richtige Lagerung: Lagern Sie den Sitz an einem kühlen, trockenen Ort, fern von direkter Sonneneinstrahlung, Feuchtigkeit oder Wärmequellen, um die Langlebigkeit der internen Komponenten zu gewährleisten.

VORSICHT

4.1.4 Reparaturen und Modifikationen

- Reparaturen oder Modifikationen: Versuchen Sie nicht, das Produkt zu öffnen, zu modifizieren oder zu reparieren. Nicht autorisierte Änderungen führen zum Erlöschen der Garantie und können zu Fehlfunktionen oder Gefahren führen.
- Verwenden Sie nur Originalzubehör: Verwenden Sie immer Originalzubehör und Ersatzteile, die vom Hersteller zur Verfügung gestellt werden. Nicht autorisierte Modifikationen oder Teile von Drittanbietern können die Produktsicherheit und -leistung beeinträchtigen.

Compliance- und Sicherheitserinnerung

Die Nichtbeachtung der Sicherheitshinweise kann zu schweren Verletzungen, Stromschlägen oder Produktschäden führen. Befolgen Sie immer die Richtlinien des Handbuchs für Einrichtung, Verwendung und Wartung. Stellen Sie sicher, dass alle Benutzer vor der Verwendung gut über die Sicherheitsvorkehrungen informiert sind.

Für weitere Unterstützung oder Anfragen kontaktieren Sie uns bitte unter:
support@nextlevelracing.com



5 VERÄUSSERUNGEN

5.1 So entsorgen Sie das Produkt

5.1.1 Entsorgung von elektronischen Bauteilen

Das Symbol auf dem Produkt, dem Zubehör oder der Verpackung weist darauf hin, dass dieses Gerät nicht als unsortierter Siedlungsabfall behandelt werden darf, sondern getrennt gesammelt werden muss. Entsorgen Sie das Gerät über eine Sammelstelle für das Recycling von Elektro- und Elektronikaltgeräten, wenn Sie innerhalb der EU und in anderen europäischen Ländern wohnen, die getrennte Sammelsysteme für Elektro- und Elektronikaltgeräte betreiben. Durch die ordnungsgemäße Entsorgung des Geräts tragen Sie dazu bei, mögliche Gefahren für die Umwelt und die öffentliche Gesundheit zu mindern, die durch unsachgemäße Entsorgung von Elektroschrott verursacht werden. Das Recycling von Materialien trägt zur Schonung natürlicher Ressourcen bei. Entsorgen Sie Ihre Elektro- und Elektronikaltgeräte nicht mit dem unsortierten Siedlungsabfall.

5.1.2 Entsorgung von Verpackungsabfällen
Die Verpackung besteht nach Möglichkeit aus umweltfreundlichen Materialien, die über Ihre örtlichen Recyclinganlagen entsorgt werden können. Durch die fachgerechte Entsorgung der Verpackungen und Verpackungsabfälle tragen Sie dazu bei, mögliche Gefahren für die Umwelt und die öffentliche Gesundheit zu vermeiden. Das Symbol auf der Verpackung weist darauf hin, dass die Verpackung aus PAP besteht.

ANWEISUNGEN

ANFANGEN

Jeder Schritt entspricht einem Bild auf den vorhergehenden Seiten. Beziehen Sie sich bei Bedarf auf sie.

6 INSTALLIEREN SIE ES1 HAPTIC AUF DEM NÄCHSTEN LEVEL DER RENNCOCKPITS

6.1 NLR ELITE Cockpit Serie Montage für den seitlichen Einbau (Universal-Sitzhalterungen für GT ELITE LITE erforderlich)

HINWEIS: Befestigen Sie Ihren Sitz vor der Verwendung an einem Cockpit. Befolgen Sie die nachstehenden Anweisungen, um sie an Next Level Racing Cockpits anzubringen. Sobald der Sitz im Cockpit installiert ist, finden Sie auf Seite 22, Abschnitt 7 eine Bedienungsanleitung.

ACHTUNG: Die Schritte nach der Montage des haptischen Sitzes ES1 zeigen die typische Montage des haptischen Sitzes ES1 an den Cockpitrahmen. Bei diesen Schritten wird das Kabelmanagement nicht angezeigt. Bitte achten Sie auf das Kabelmanagement und stellen Sie sicher, dass die Kabel nicht durch die Sitz- und Rahmenmontage eingeklemmt werden. Verlegen Sie keine Kabel auf oder über Sitzschiebern.

01- Überprüfen Sie die interne Breite der Sitzhalterungen 500 mm.

02- Bestätigen Sie die Passform des Sitzes mit der Position der Sitzhalterungen.

03- Montieren Sie die vordere M8-Schraube und die Unterlegscheibe durch die Sattelhalterung in die Sitzeinsätze. Auf der anderen Seite wiederholen.

04- Montieren Sie die hintere M8-Schraube und die Unterlegscheibe durch die Sitzhalterung in die Sitzeinsätze. Auf der anderen Seite wiederholen.

05- VORWÄRTS- UND RÜCKWÄRTSVERSTELLUNG: Stellen Sie den Sitz auf den gewünschten Abstand zu den Pedalen ein. Befestigen Sie die Schrauben, die die Sitzhalterungen mit den Basisträgern verbinden.

06- WINKEL- UND HÖHENVERSTELLUNG: Verwenden Sie für die Winkel- und Höhenverstellung die verschiedenen Befestigungslöcher und Schlitzlöcher, die an den Sitzhalterungen vorgesehen sind.

07- Die Installation Ihres ES1 Haptic Seat im Cockpit der Elite-Serie ist abgeschlossen.

6.2 NLR GTTRACK Montage

HINWEIS: Für GTTrack-Rahmen zerlegen Sie bitte die zuvor installierten Sitze und Sitzgleiter und ersetzen sie durch universelle Sitzhalterungen, dann fahren Sie mit der Installation des ES1 Haptic Seat fort.

08- Überprüfen Sie die interne Breite der Sitzhalterungen 500 mm.

09- Bestätigen Sie die Passform des Sitzes mit der Position der Sitzhalterungen.

10- Montieren Sie die vordere M8-Schraube und die Unterlegscheibe durch die Sitzhalterung in die Sitzeinsätze. Auf der anderen Seite wiederholen.

11- Montieren Sie die hintere M8-Schraube und die Unterlegscheibe durch die Sitzhalterung in die Sitzeinsätze. Auf der anderen Seite wiederholen.

12- VORWÄRTS- UND RÜCKWÄRTSVERSTELLUNG: Stellen Sie den Sitz auf den gewünschten Abstand zu den Pedalen ein. Befestigen Sie die Schrauben, die die Sitzhalterungen mit den Basisträgern verbinden.

13- WINKEL- UND HÖHENVERSTELLUNG: Verwenden Sie für die Winkel- und Höhenverstellung die verschiedenen Befestigungslöcher und Schlitzlöcher, die an den Sitzhalterungen vorgesehen sind.

14- Die Installation Ihres ES1 Haptic Seat im GTTrack-Cockpit ist abgeschlossen.



Video Instruction: bit.ly/nlrbuild

DE

6.3 NLR F-GT Montage

HINWEIS: NUR F-GT-Rahmen (Doppelschieber) - Entfernen Sie den vorhandenen Sitz aus den Halterungen und fahren Sie dann mit der Installation des ES1 Haptic Seat fort.

HINWEIS: F-GT Cockpit (Sitz im Lieferumfang des Single Sliders enthalten) - Entfernen Sie den vorhandenen F-GT-Sitz, installieren Sie die universelle Sitzhalterung (separat erhältlich) und fahren Sie dann mit der Installation des ES1 Haptic Seat fort.

15- Überprüfen Sie die interne Breite der Sitzhalterungen 500 mm.

16- Bestätigen Sie die Passform des Sitzes mit der Position der Sitzhalterungen.

17- Montieren Sie die vordere M8-Schraube und die Unterlegscheibe durch die Sitzhalterung in die Sitzeinsätze. Auf der anderen Seite wiederholen.

18- Montieren Sie die hintere M8-Schraube und die Unterlegscheibe durch die Sitzhalterung in die Sitzeinsätze. Auf der anderen Seite wiederholen.

19- VORWÄRTS- UND RÜCKWÄRTSVERSTELLUNG: Stellen Sie den Sitz auf den gewünschten Abstand zu den Pedalen ein. Befestigen Sie die Schrauben, die die Sitzhalterungen mit den Basisträgern verbinden.

20- WINKEL- UND HÖHENVERSTELLUNG: Verwenden Sie für die Winkel- und Höhenverstellung die verschiedenen Befestigungslöcher und Schlitzlöcher, die an den Sitzhalterungen vorgesehen sind.

21- Die Installation Ihres ES1 Haptic Seat im F-GT-Cockpit ist abgeschlossen.

7 BEDIENUNGSANLEITUNG

7.1 Was Sie brauchen

Für die Installation und den Betrieb Ihres Next Level Racing® ES1 Haptic Feedback Sim Racing Sitzes benötigen Sie:

- Der fertig montierte ES1 Haptic Racing Seat wird an kompatiblen Cockpit-Lösungen montiert, die seitlich montierte Sitze aufnehmen
- Netzteil und passender Steckertyp
- Dieses Benutzerhandbuch
- Einen PC mit Internetzugang (für die Einrichtung des PC-Modus)
- Die Seriennummer befindet sich auf dem Netzkabel, das an der Rückseite der Sitzunterseite angeschlossen ist (für die Einrichtung des PC-Modells)
- Next Level Racing® HFS Software (für PC Model Setup) — Download von: <https://nextlevelracing.com/support-downloads>
- Die aktuelle Dokumentation finden Sie unter:

<https://nextlevelracing.com>

22-NLR ES1 HAPTISCHE ANSCHLÜSSE: A) Verbinden Sie die angeschlossenen Netzkabel (1) und (2) an der Rückseite des Sitzes wie abgebildet miteinander. B) Schließen Sie das Netzteil an das Netzteil an.

23- A) Schließen Sie das Netzteil an die mitgelieferten Steckertypen an, die für Ihre Steckdose geeignet sind. B) Drücken Sie die Ein-/Aus-Taste am Controller, um ihn ein- und auszuschalten.

7.2 Installieren und Einschalten

1. Montieren Sie den Sitz und befestigen Sie ihn sicher an Ihrem Cockpit.
2. Stecken Sie das Netzteil in eine Steckdose und schließen Sie es an den Sitz an.
3. Drücken Sie die Ein-/Aus-Taste am Controller, um den Sitz einzuschalten.
4. Die LED-Anzeige zeigt den aktuellen Modus an:

Durchgehend = PC-Modus
Flashen = Tonaufnahme-Modus

7.3 Die beiden Modi verstehen

Der Next Level Racing® ES1 Haptic Racing Sitz bietet zwei verschiedene Betriebsmodi, die für unterschiedliche Setups geeignet sind:

- PC-Modus – Entwickelt für die Verwendung mit einem PC über eine USB-Verbindung. Dieser Modus ermöglicht die Steuerung der acht haptischen Zonen des Sitzes. Der ES1 Haptic Racing Seat benötigt Software, um sich mit den Spielen zu verbinden und Telemetriedaten zu verwenden, um das bestmögliche Erlebnis zu bieten. Wir haben eine Software namens Next Level Racing HFS bereitgestellt, die zum Download zur Verfügung steht <https://nextlevelracing.com/support-downloads>
- Sound Capture Mode – Entwickelt für die Verwendung über ein 3,5-mm-Audiokabel. In diesem Modus reagiert der Sitz auf Geräusche und wandelt sie in Vibrationsfeedback um – keine Software erforderlich.

7.4 Auswählen eines Modus

Der Sitz funktioniert je nach Setup in zwei Modi:



DE

Option 1: PC-Modus (USB)

1. Verbinden Sie den Sitz mit dem mitgelieferten USB-Kabel mit Ihrem PC.
2. Gehe zu: <https://nextlevelracing.com/support-downloads>
3. Wenn Sie dazu aufgefordert werden, geben Sie die Seriennummer Ihres Produkts ein, um die Software herunterzuladen
4. Wechseln Sie in den PC-Modus, indem Sie die Taste auf dem Controller 5 Sekunden lang gedrückt halten. Die LED leuchtet weiß, wenn Sie die Taste gedrückt halten. Ein durchgehendes Licht zeigt den PC-Modus an.
5. Verwenden Sie die HFS-Software, um Vibrationen zu steuern und jede haptische Zone fein abzustimmen. Die Software unterstützt eine Reihe kompatibler Spiele.

Option 2: Tonaufnahmemodus (3,5-mm-Audio)

1. Verbinden Sie das 3,5-mm-Audiokabel vom Sitz mit der Kopfhörerbuchse Ihrer Audioquelle.
2. (Fakultativ) Stecken Sie Ihre Kopfhörer in den Kopfhörer-Durchgangsanschluss am Sitz.
3. Wechseln Sie in den Sound-Capture-Modus, indem Sie die Taste auf dem Controller 5 Sekunden lang gedrückt halten. Die LED leuchtet weiß, wenn Sie die Taste gedrückt halten. Ein blinkendes Licht zeigt den Tonaufnahmemodus an.

7.5 Einstellen der Vibrationsintensität

Um den Vibrationspegel einzustellen, drehen Sie den Intensitätsregler am Controller.

Rote LED = Höchste Intensität; Grüne LED = Niedrigste Intensität.

HINWEIS: Der Sitz merkt sich und startet beim nächsten Einschalten im zuletzt verwendeten Modus und der Vibrationsintensität.

BITTE BEACHTEN SIE: Die haptischen Vibrationen des Sitzes sind im Sound Capture-Modus inaktiv, bis Audio abgespielt wird. Die haptischen Vibrationen der Sitze sind im PC-Modus inaktiv, bis das Spiel begonnen hat.

Für Fragen, Informationen und technische Unterstützung wenden Sie sich bitte an unser Team unter support@nextlevelracing.com