



# RAZER BLACKSHARK V3 X HYPERSPEED

MASTER GUIDE

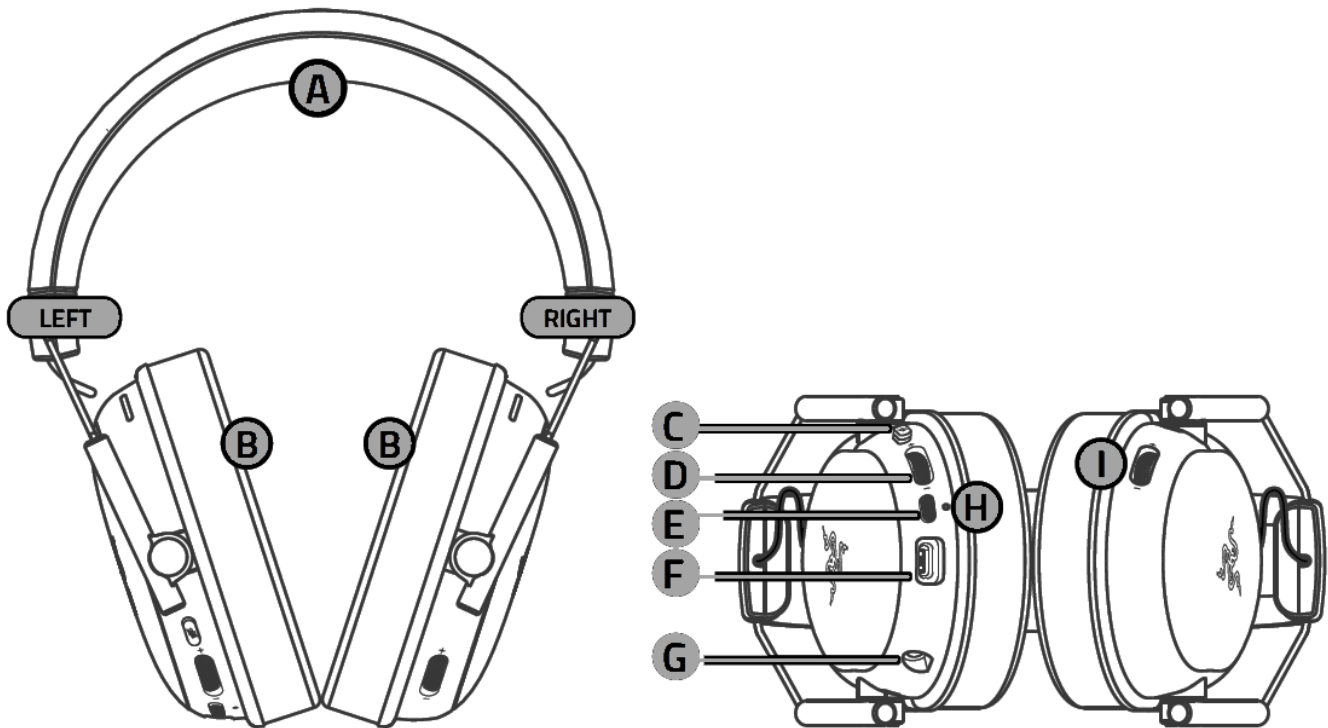
# CONTENTS

1. WHAT'S INSIDE.....	2
2. WHAT'S NEEDED.....	4
3. LET'S GET YOU COVERED.....	4
4. GETTING STARTED.....	5
5. USING YOUR RAZER BLACKSHARK V3 X HS.....	14
6. CONFIGURING YOUR RAZER HEADSET.....	19
7. SAFETY AND MAINTENANCE.....	31
8. LEGALESE.....	32

---

## 1. WHAT'S INSIDE

- Razer BlackShark V3 X HyperSpeed

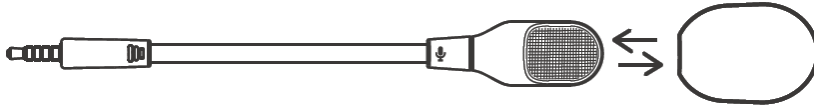


- A. Adjustable padded headband
- B. Razer™ Hybrid Sportsweave memory foam cushions
- C. Mic mute toggle
- D. Volume control
- E. Razer SmartSwitch / Power button
  - 2.4GHz Mode
  - Bluetooth® Mode
- F. USB Type C port
- G. Microphone port
- H. Status indicator
- I. Mic sidetone control

- Razer™ HyperSpeed Wireless Dongle



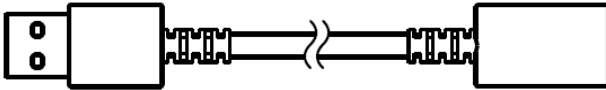
- Detachable Razer™ HyperClear Cardioid 9.9mm Mic



- Type A to Type C cable



- Type A to Type C adapter cable



- Important Product Information Guide

---

## 2. WHAT'S NEEDED

### PRODUCT REQUIREMENTS

- Devices with Bluetooth audio capability or USB Type C / A port

### RAZER SYNAPSE REQUIREMENTS

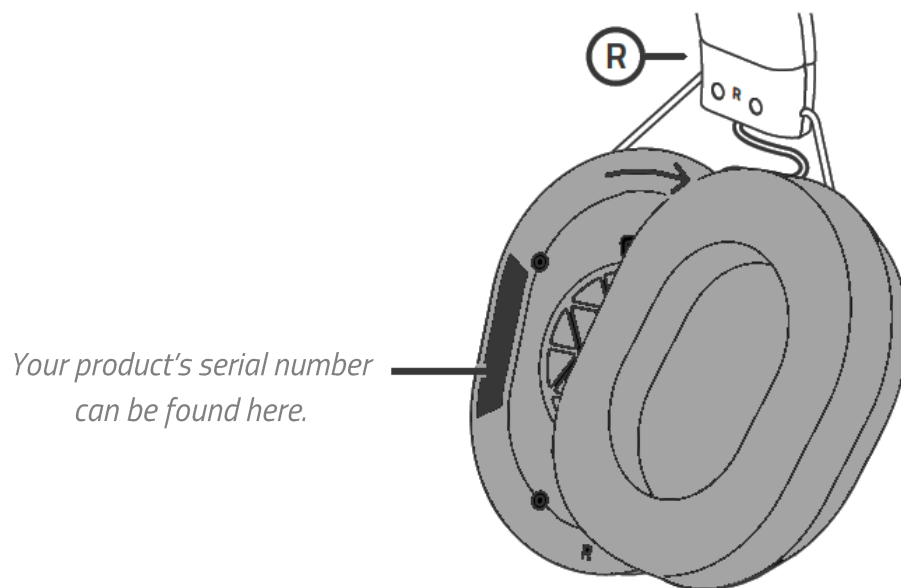
- Windows 10 64-bit (or higher)
- Internet connection for app installation

### RAZER AUDIO APP REQUIREMENTS

- iOS 12 / Android 8.1 Oreo (or higher)
- Internet connection for app installation

---

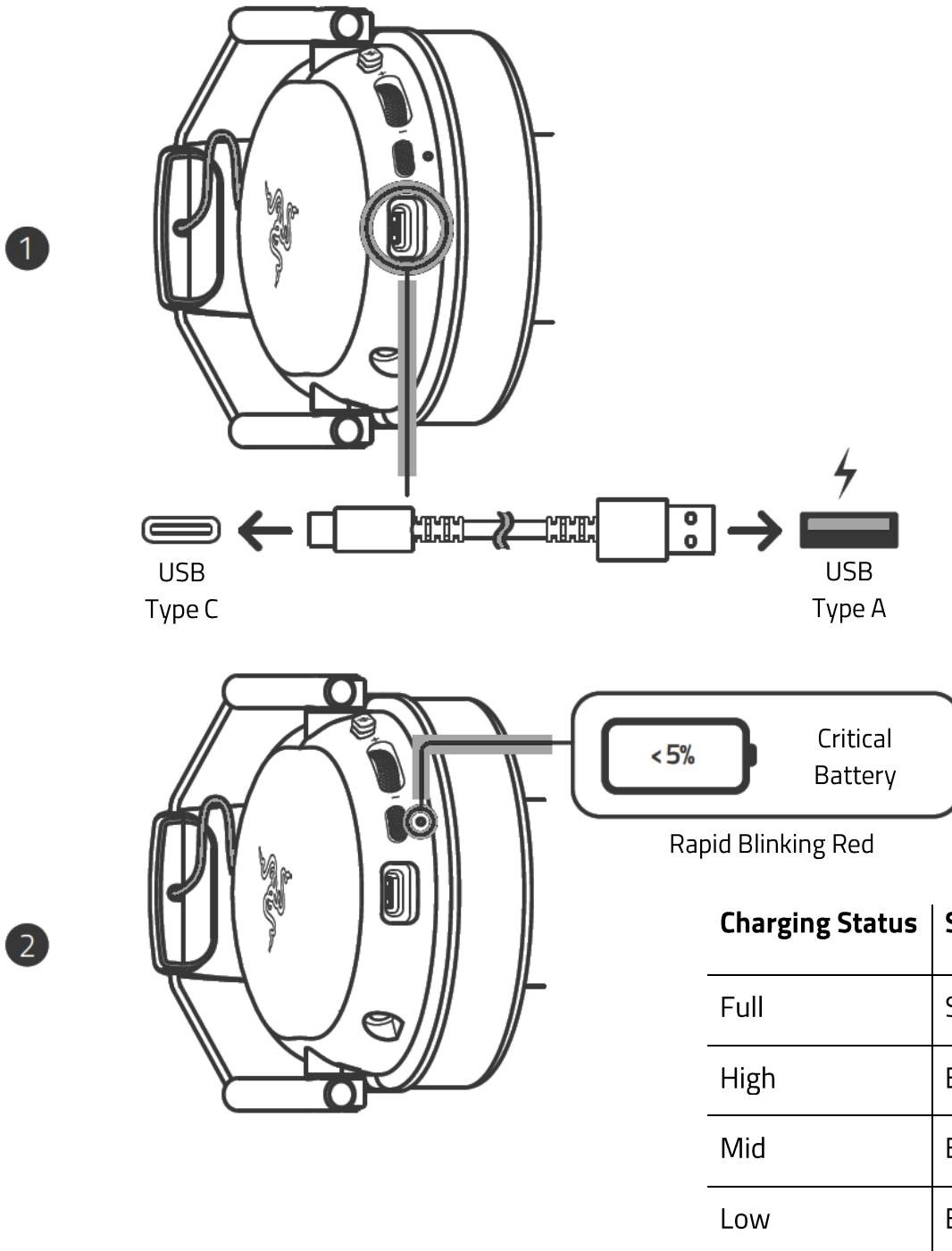
## 3. LET'S GET YOU COVERED



Register your product and score exclusive benefits  
[razerid.razer.com/warranty](https://www.razerid.razer.com/warranty)

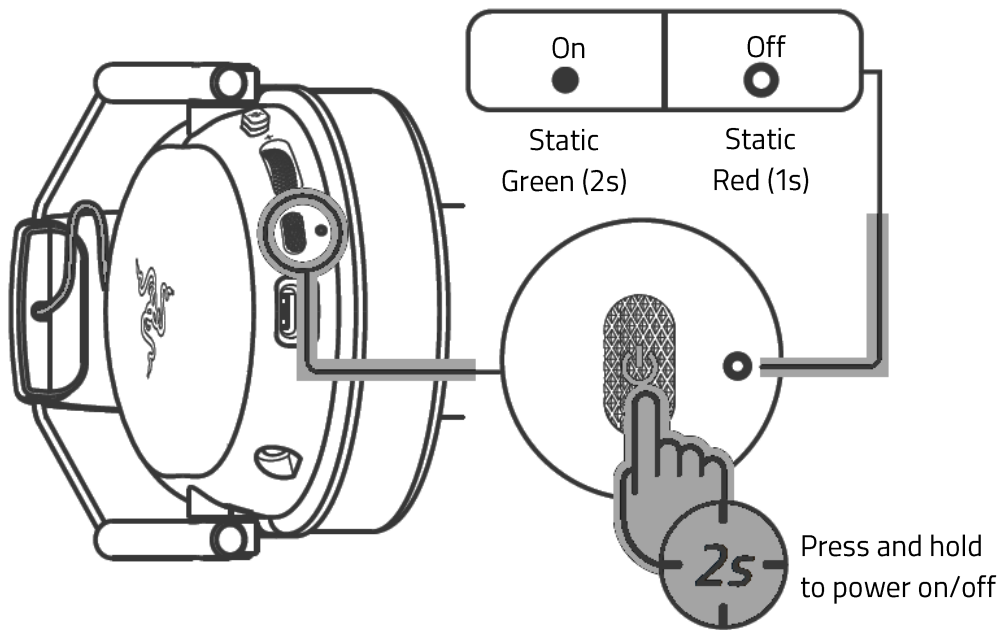
## 4. GETTING STARTED

### CHARGE YOUR HEADSET



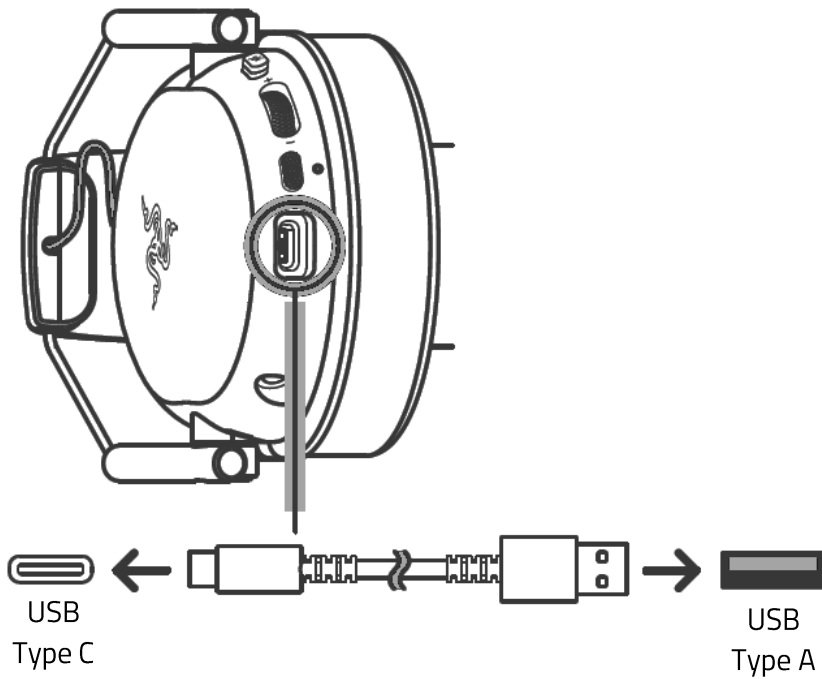
**i** For best results, connect your Razer BlackShark V3 X HS directly to your computer's USB port using the provided cable. A depleted battery will be fully charged in approximately 4 hours.

## POWER YOUR HEADSET ON/OFF



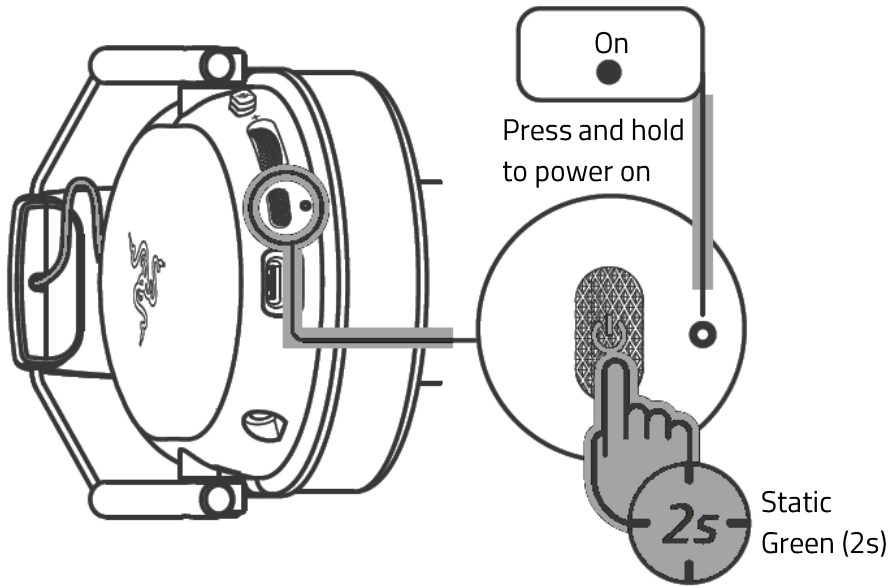
## CONNECT TO YOUR DEVICE

### WIRED MODE

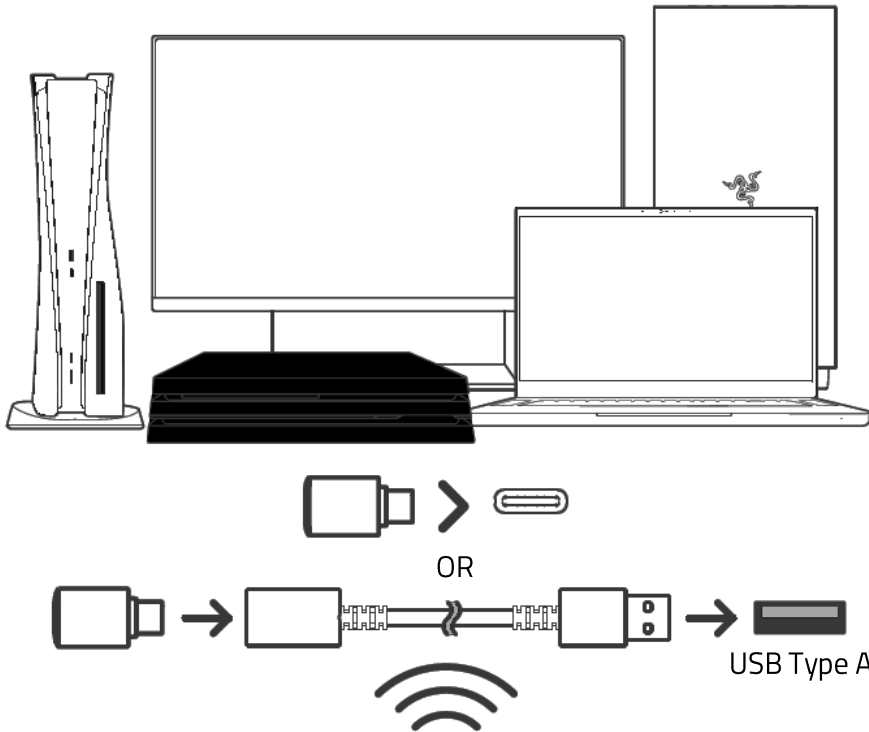


## 2.4GHz MODE

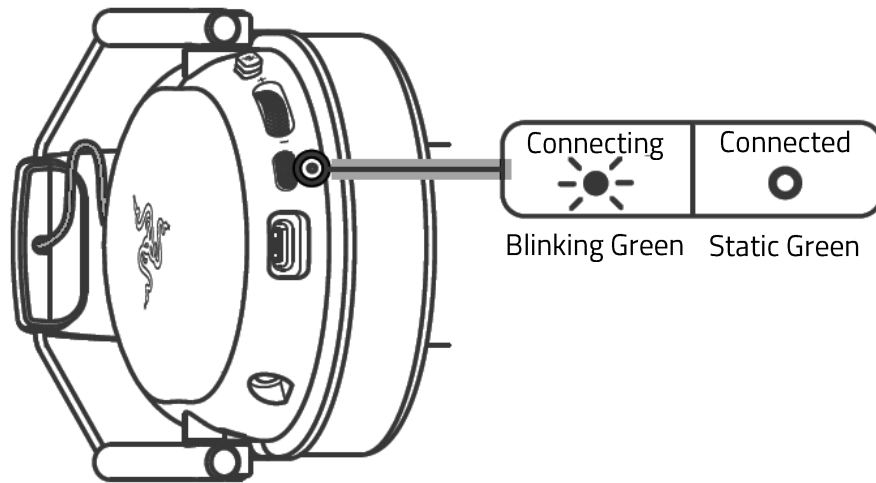
1



2





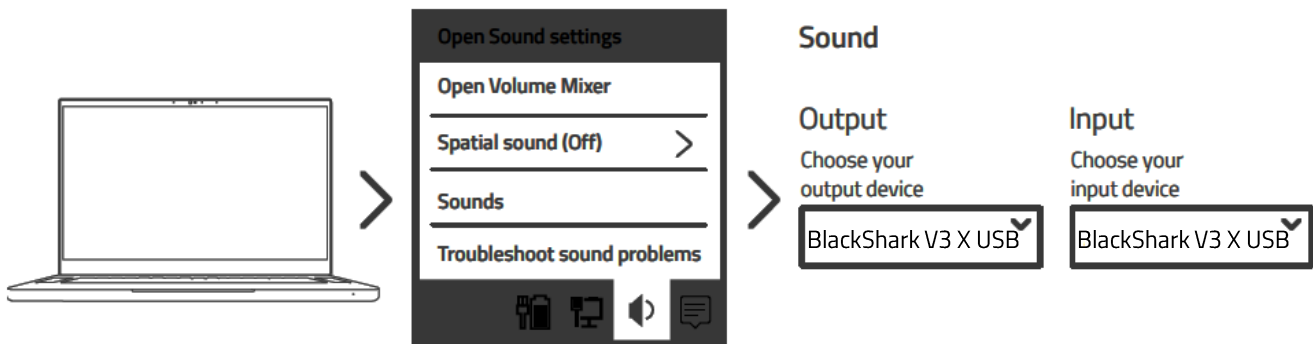


**i** *Customize the LED indicator to show the headset's connection status, battery status (default) or low battery warning using Razer Synapse.*

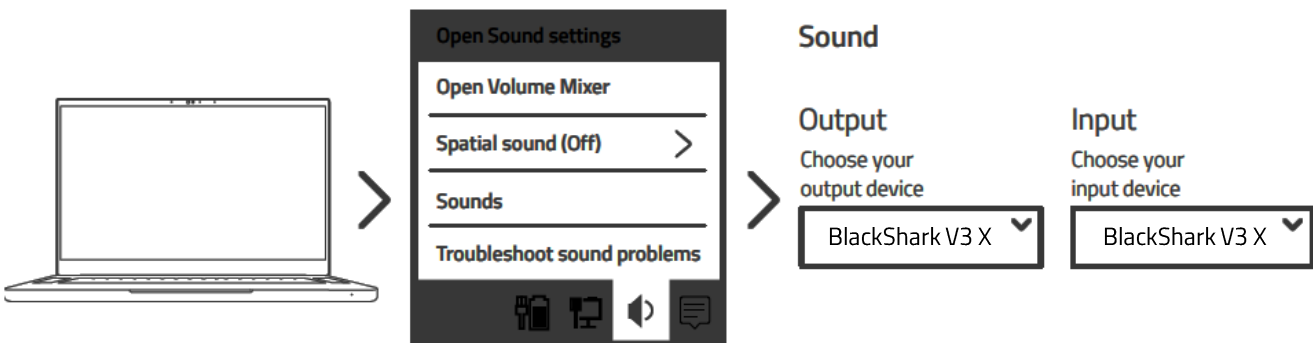
### Set Up For PC

Make sure to set the Razer BlackShark V3 X HS as your PC's default input and output device.

### Wired Mode



### 2.4GHz Wireless Mode



### Personalize your PC experience

Use the Razer Synapse app to customize your headset's EQ, enable audio enhancements, and fine-tune other advanced features. Install Razer Synapse when prompted, or download the installer from [razer.com/synapse](https://www.razer.com/synapse)

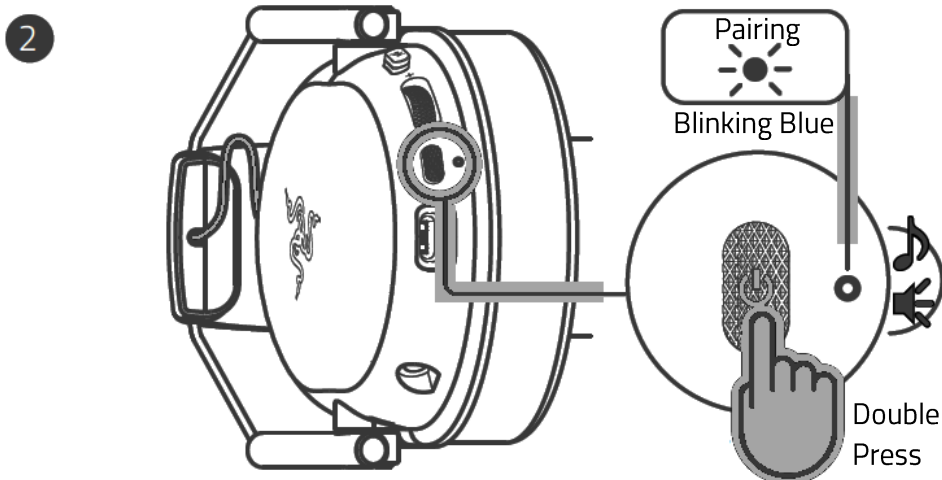
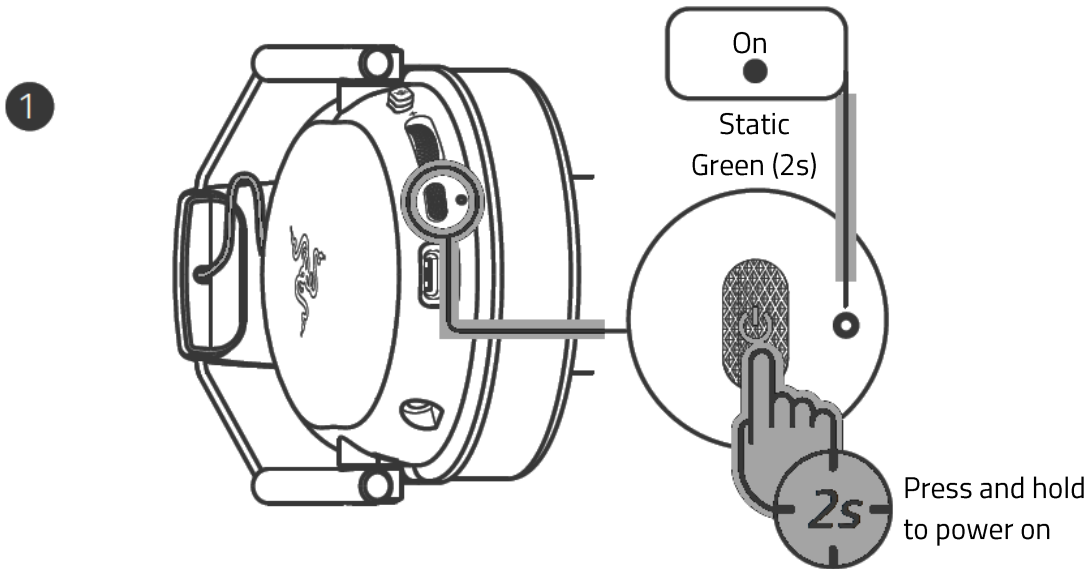
Activate THX® Spatial Audio\*

Unleash the full potential of your Razer BlackShark V3 X HS by enabling 360° positional audio for a natural and lifelike experience through Razer Synapse.

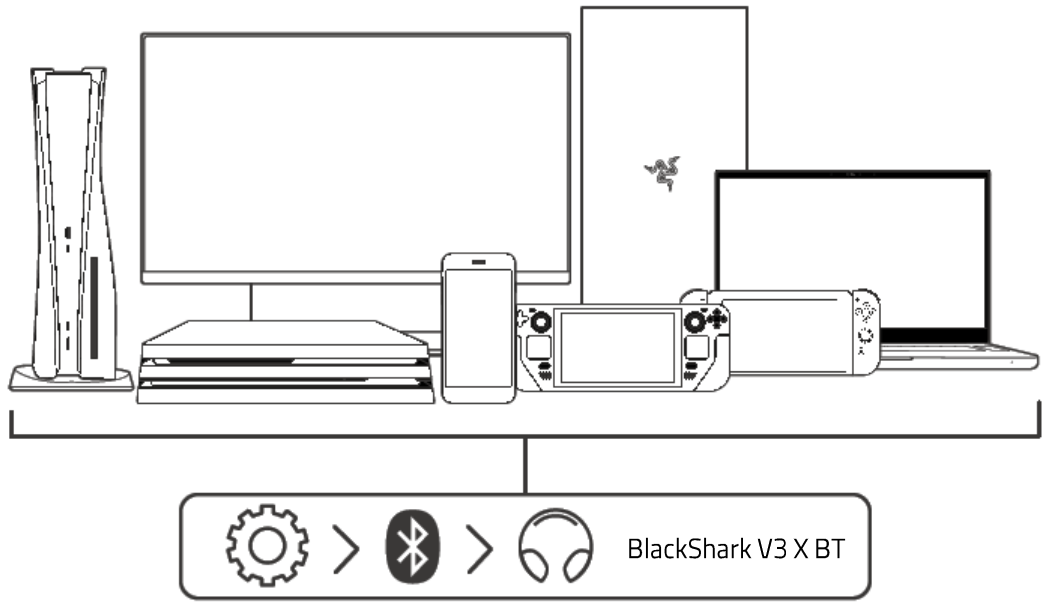


\*Only available on Windows 10 64-bit and above.

BLUETOOTH® MODE

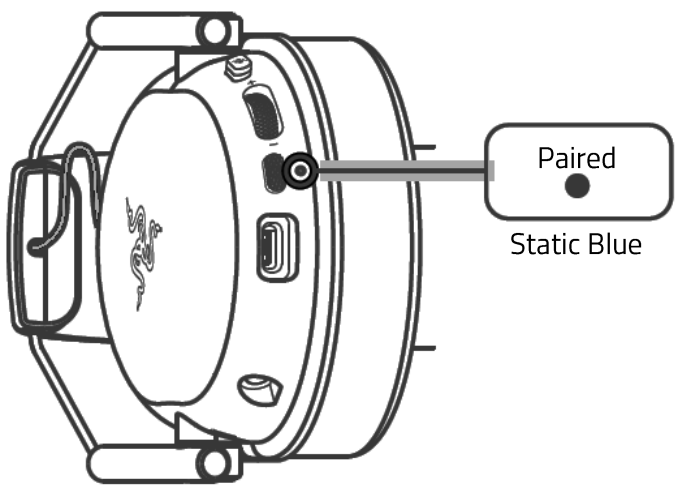


3



Search for the headset on your Bluetooth device

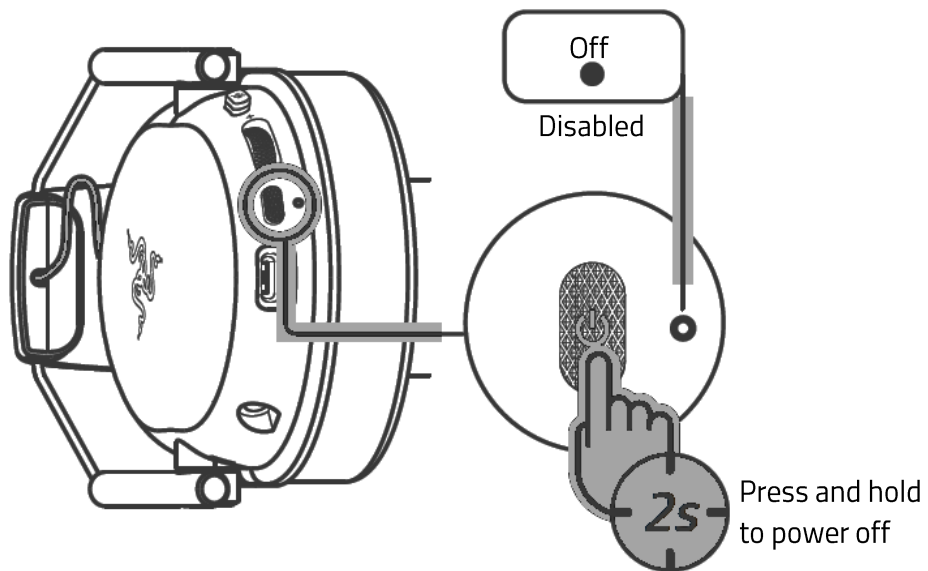
4



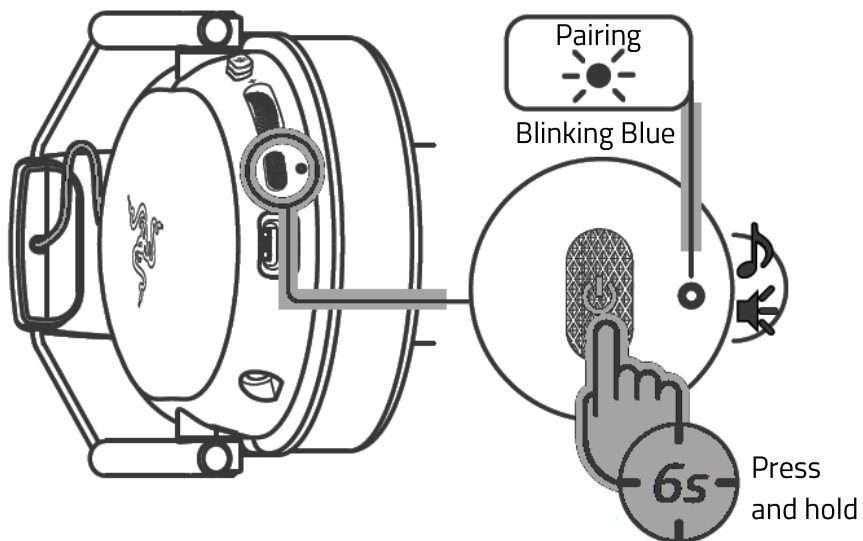
*i* If pairing times out and the headset powers off, follow the next procedure to reinitiate pairing.

## Reactivating Bluetooth Pairing Mode

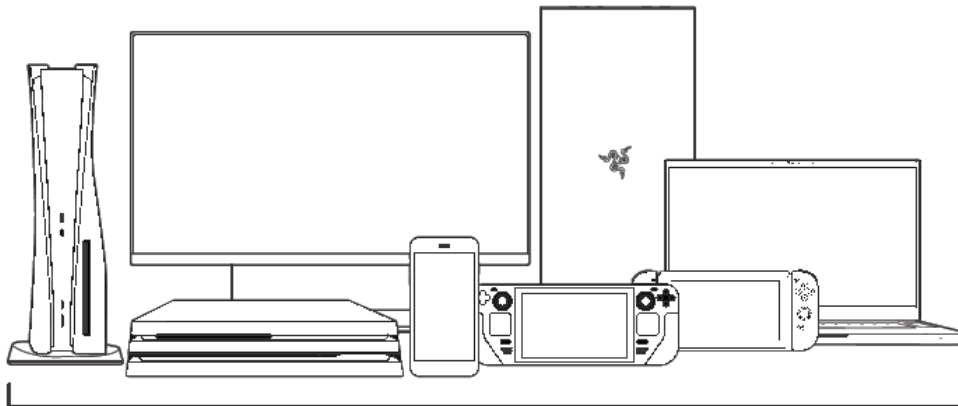
1



2

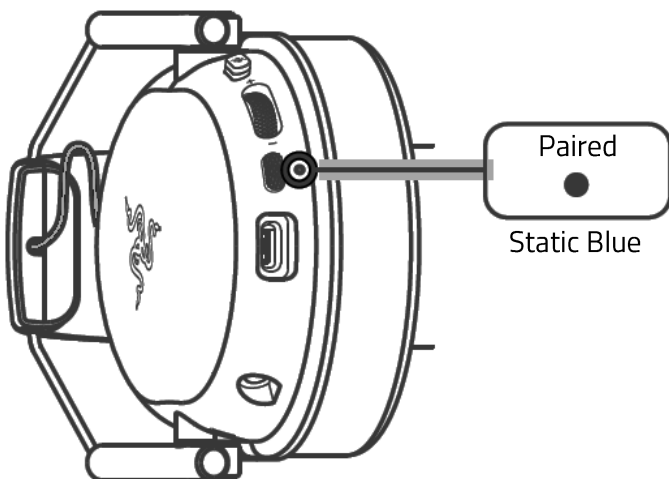


3



Search for the headset on your Bluetooth device

4



### Set Up For Mobile

Download the Razer Audio App to customize your headset's EQ settings, auto shutoff feature, gaming mode, and much more — anytime, anywhere.



Razer Audio



OR

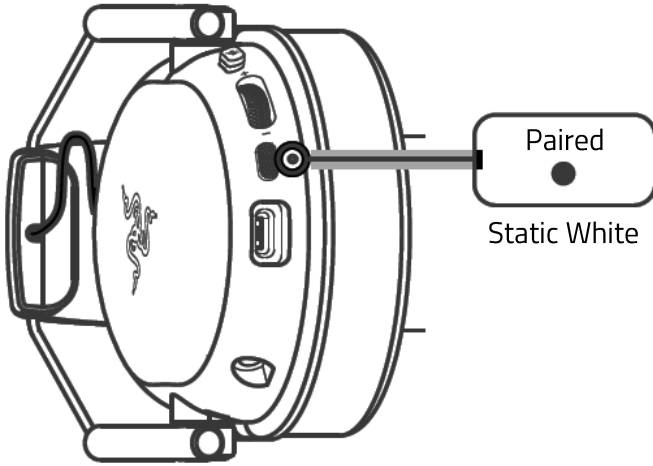


RZR.TO/AUDAPP  
(For China only)

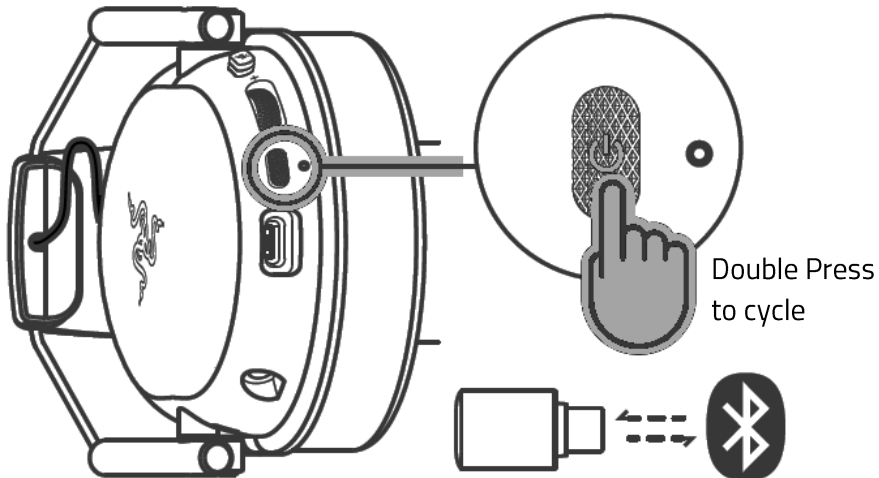
1. Download the mobile app on your mobile device.
2. Launch the app and follow the onscreen instructions.

**i** When using the Razer Audio app, ensure the headset is connected to your mobile device via Bluetooth.

### PAIRED TO BOTH WIRELESS MODES



### CYCLE THROUGH WIRELESS MODES

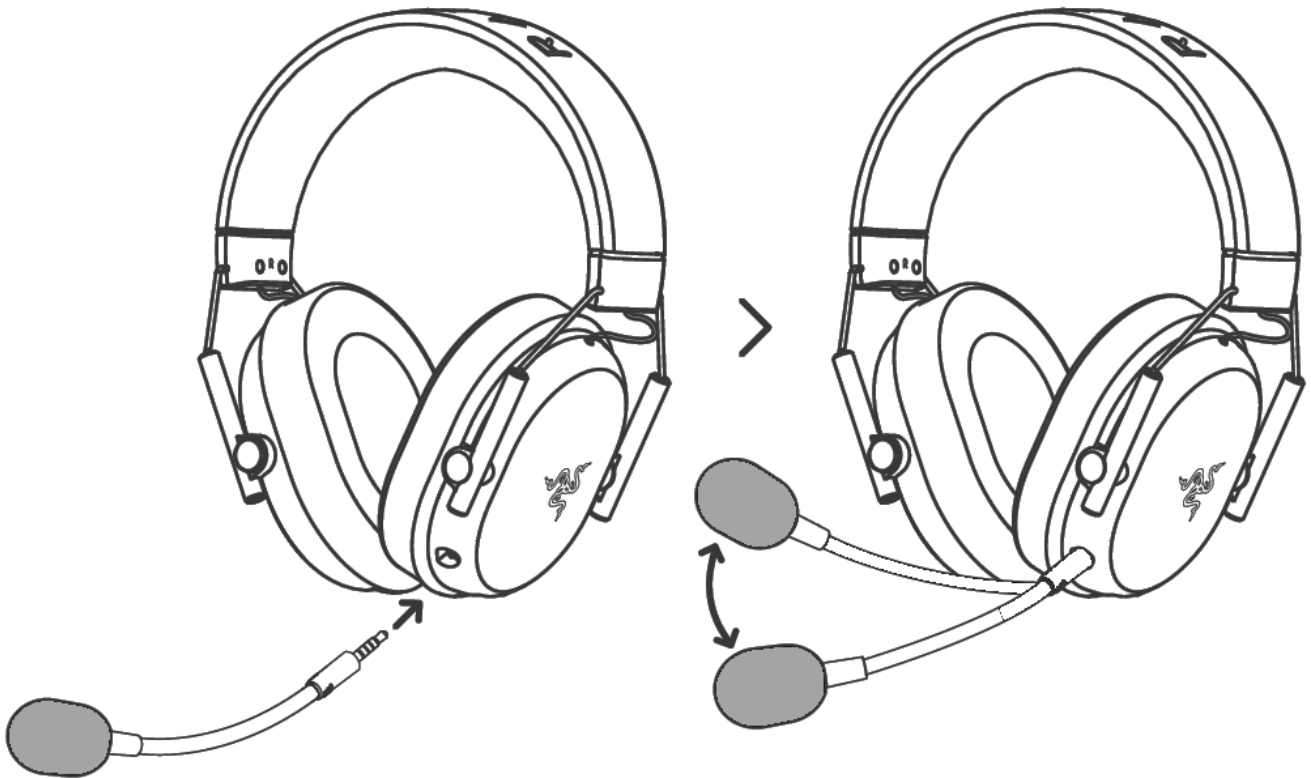


---

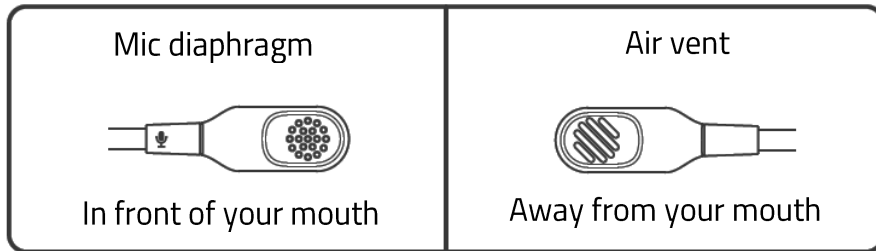
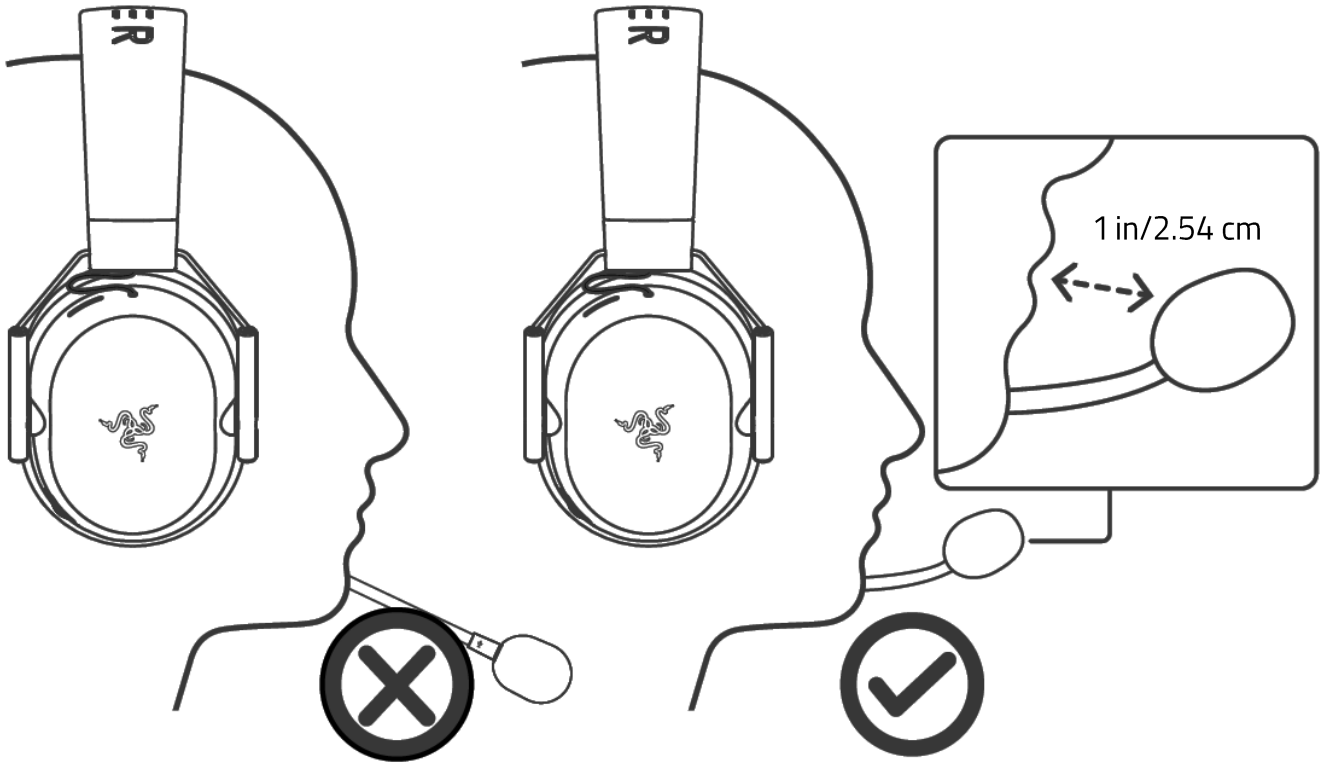
## 5. USING YOUR RAZER BLACKSHARK V3 X HS

### RAZER HYPERCLEAR FULL BAND MIC

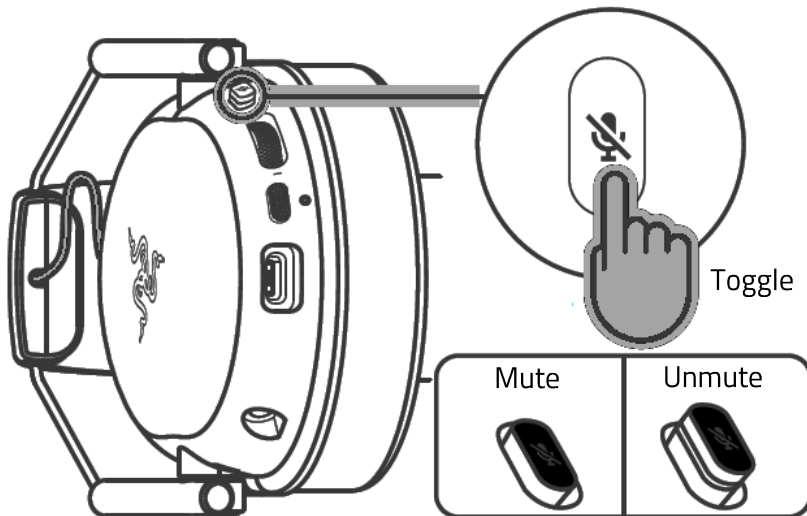
PLUG IN THE MIC



## PROPER MIC PLACEMENT

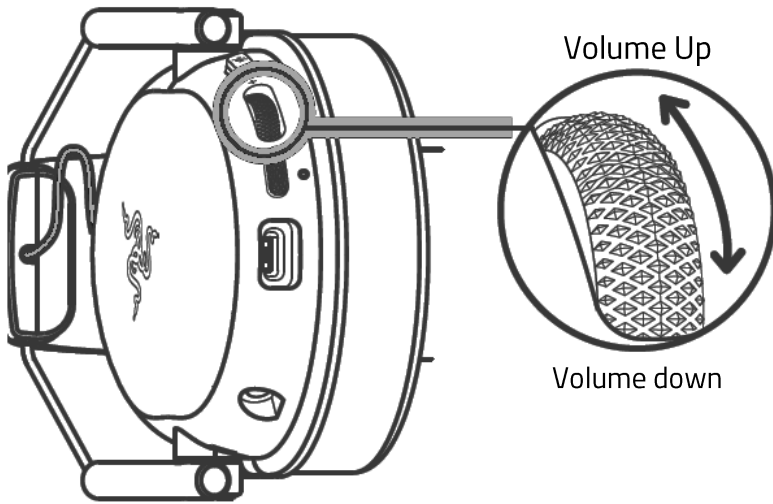


## SET THE MIC TO MUTE/UNMUTE

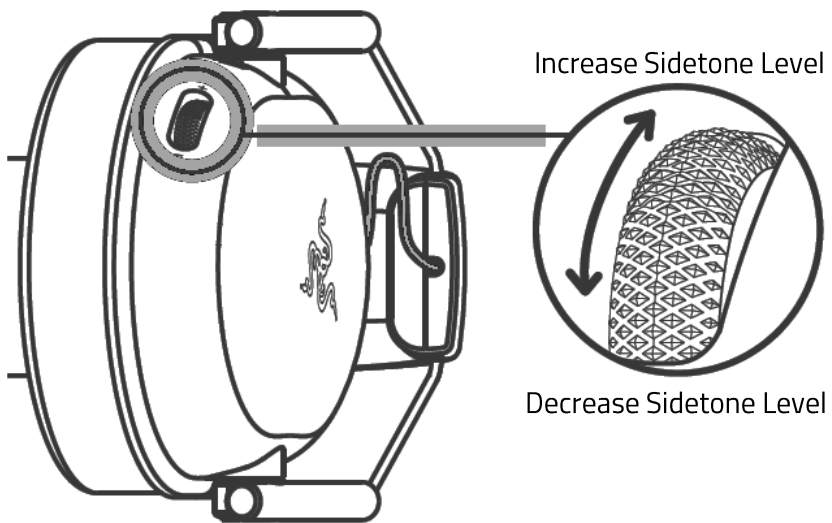




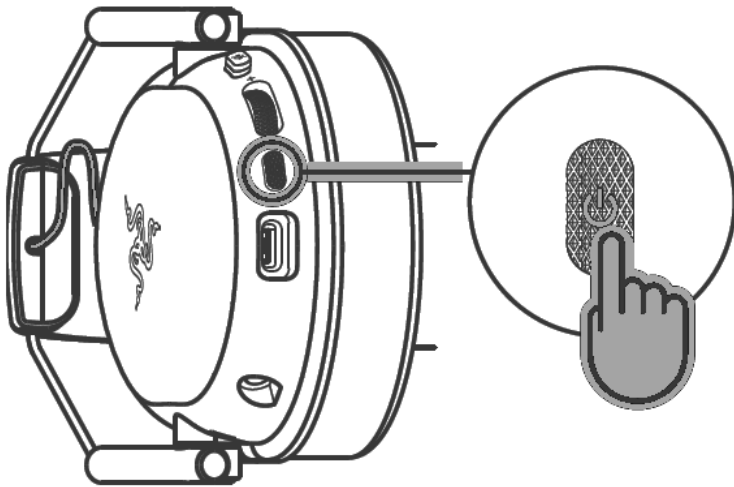
## CHANGE THE VOLUME



## CHANGE THE MICROPHONE SIDETONE LEVEL

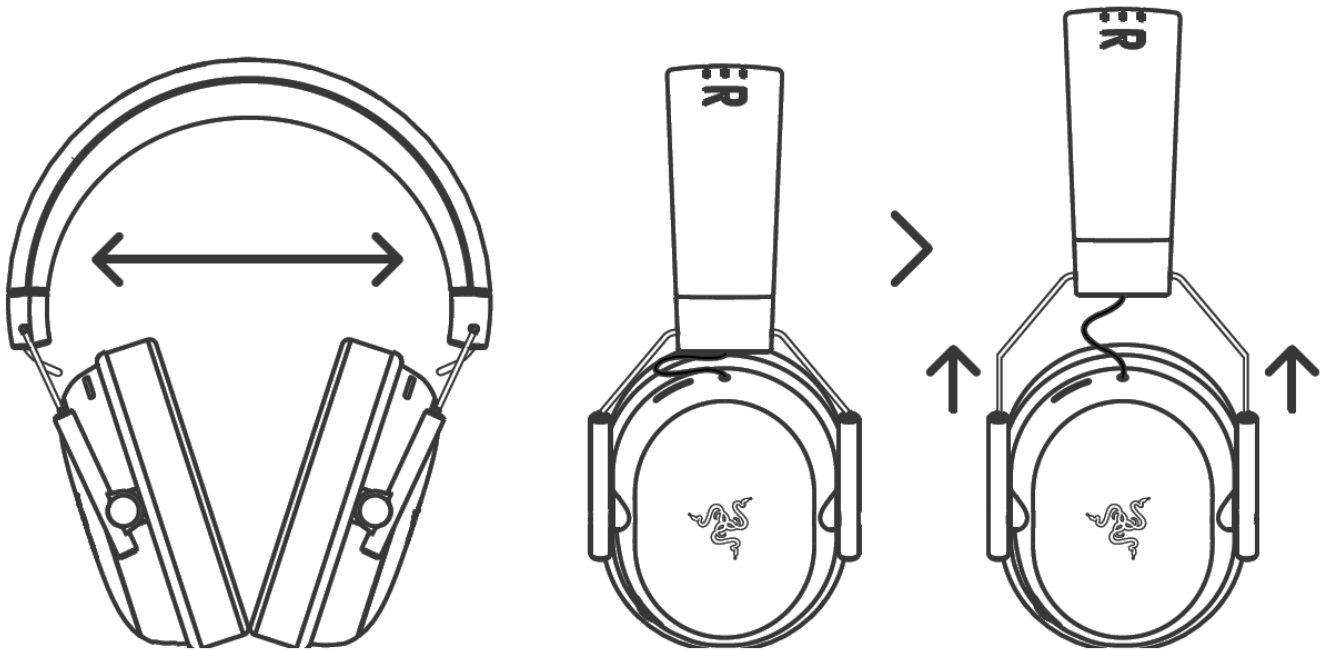


## BLUETOOTH CALL FUNCTION REFERENCE



Action	Call Status	Effect
Single press	Incoming call	Accept an incoming call
	Active call	End the current call
	Active primary call and incoming secondary call	Put a call on hold and accept an incoming call
	Active primary call and secondary call on hold	End call and swap to on-hold call
Double press	Incoming call	Reject incoming call
	Active primary call and incoming secondary call	Reject incoming secondary call
	Active primary call and secondary call on hold	Switch between calls

## ADJUST FOR COMFORT




- i** Gently stretch the headbands before wearing the headset but do not overstretch it to avoid permanent damage.

Find out more about your gaming-grade headset at [support.razer.com](https://support.razer.com)

---

## 6. CONFIGURING YOUR RAZER HEADSET

 *Disclaimer: This guide provides an overview of the New Razer Synapse app and may only partially cover some of the features of your device. The New Razer Synapse requires an Internet connection to install, update, access, and save cloud-based features. Registering for a Razer ID account is recommended but optional. All features listed here are subject to change based on the current version, connected device(s), and supported add-ons.*

### SYNAPSE

The Synapse tab is your default tab when you first launch Razer Synapse. Use the following buttons below to navigate the user interface:

– Minimize

Clicking this button will minimize the app to the taskbar while it runs in the background.

□ Maximize

This button expands the browser window to fill the entire screen. To restore the window to its original size, click the maximize button again.

× Close

This button will close all relevant tabs and terminate the application completely.

< Previous Tab

Clicking this button will return you to the last tab you have visited.

> Next Tab

Clicking this button will move you to the next page if you've recently used the Previous Tab button.

↻ Refresh Tab

This button reloads the current page. Use this if a page isn't displaying correctly or you want to see the latest content.

↓ Download Update

If this button appears, that means there are changes to the app. Use this if a page isn't displaying correctly or you want to see the latest content.

## More

Clicking this button will open a pop-up so you can easily access your Devices, Modules, and Other Installed Apps tabs.

## Settings

Clicking this button will open the Settings tab, so you can quickly change the settings to this app.

## Profile

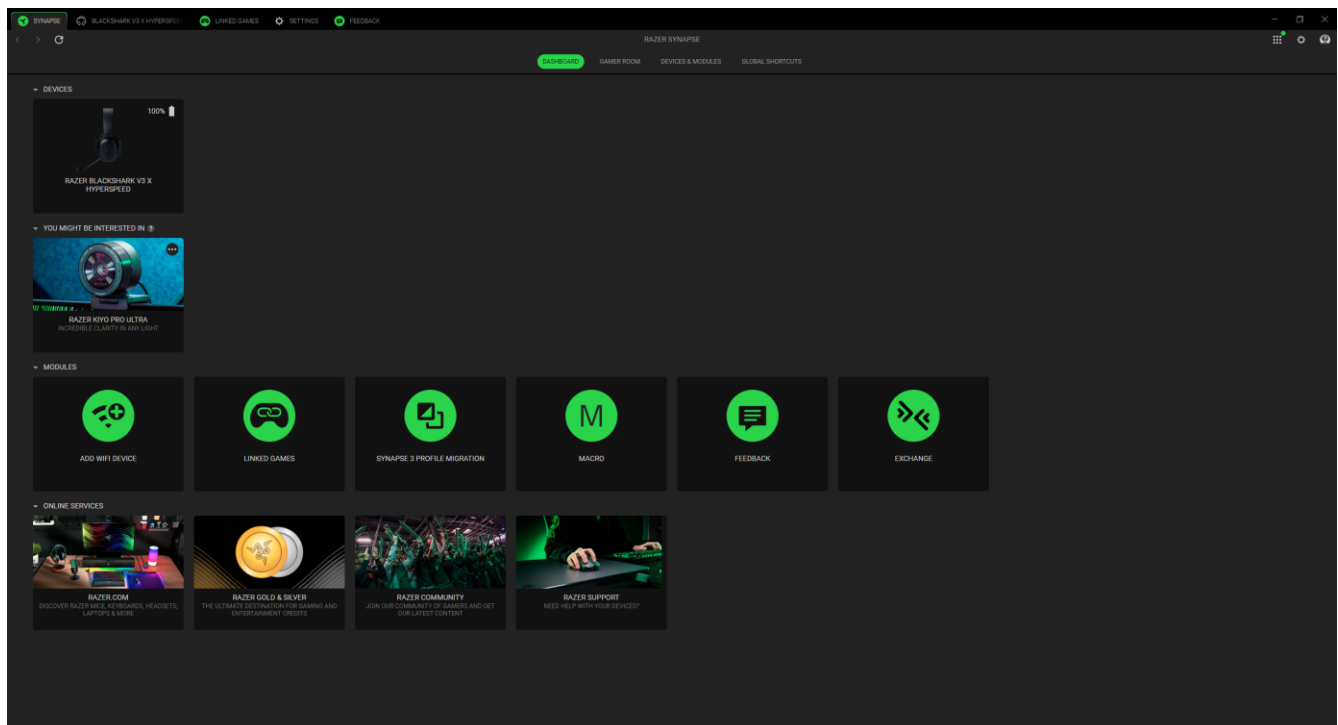
This button will open a pop-up to access the Log In, Feedback, Rate This Software, Add WiFi Device, and Exit options.

## Info

Hovering over this button will pop up an additional information about a feature or function.

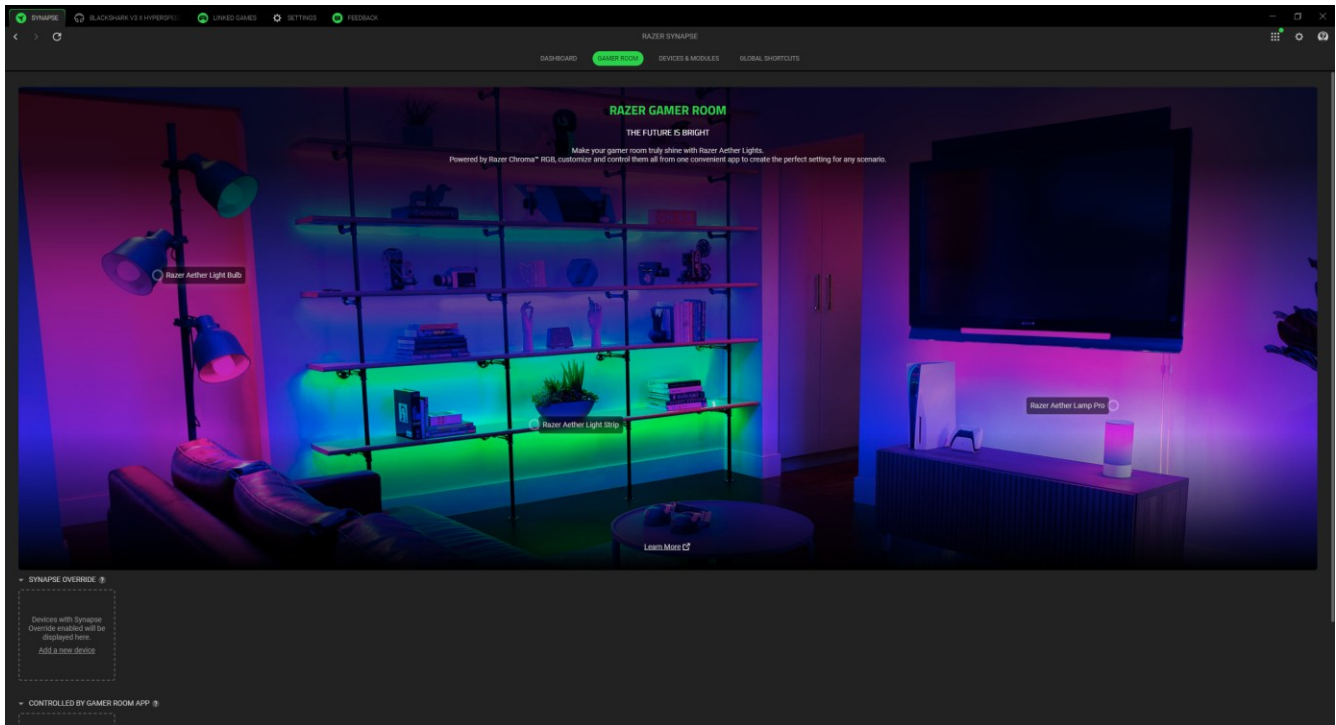
## Dashboard

The Dashboard subtab is an overview of your Razer Synapse, where you can access all your Razer devices, modules, and online services.



## Gamer Room

The Gamer Room subtab shows all devices with the Razer Aether Light feature. From here, you can view and manage your Gamer Room-supported devices.



### *Synapse Override*

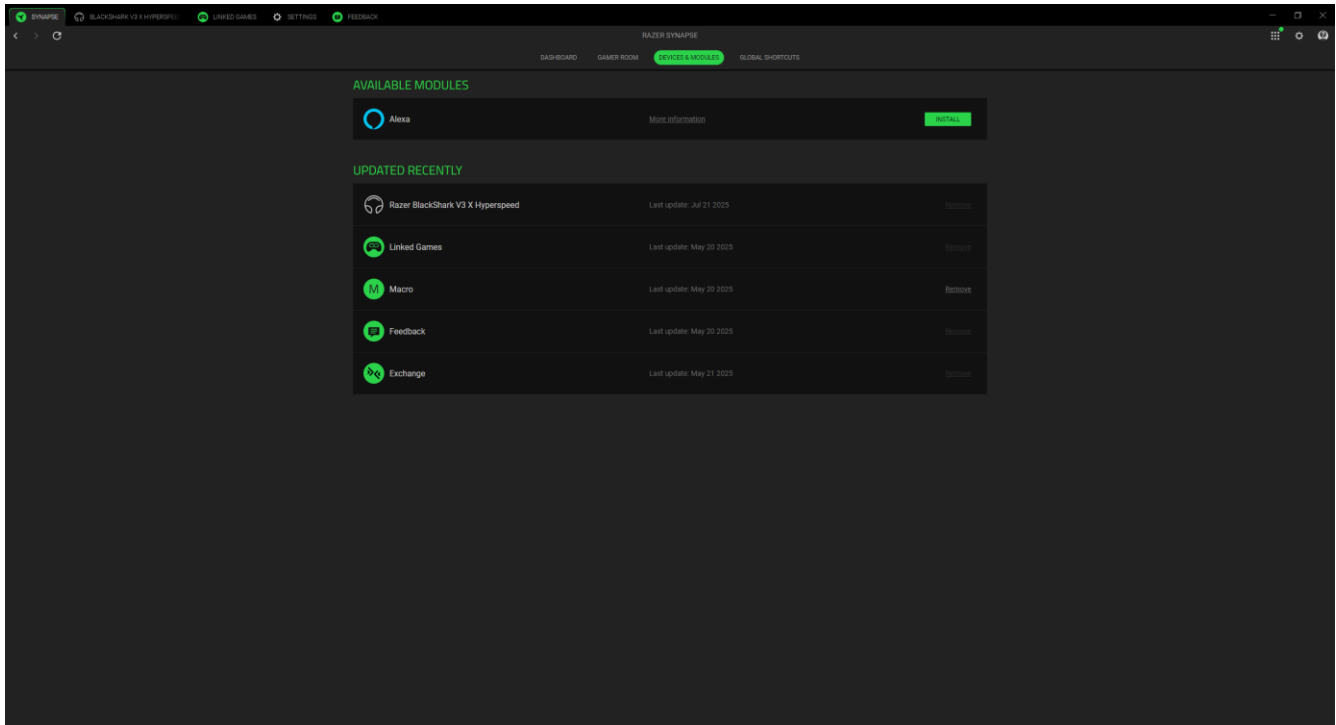
This section allows you to select and customize your device's lighting and make it react to Chroma-enabled games and Chroma Connect apps using Razer Synapse.

### *Controlled By Gamer Room App*

This section displays all supported devices controlled remotely by the Gamer Room app.

## Devices & Modules

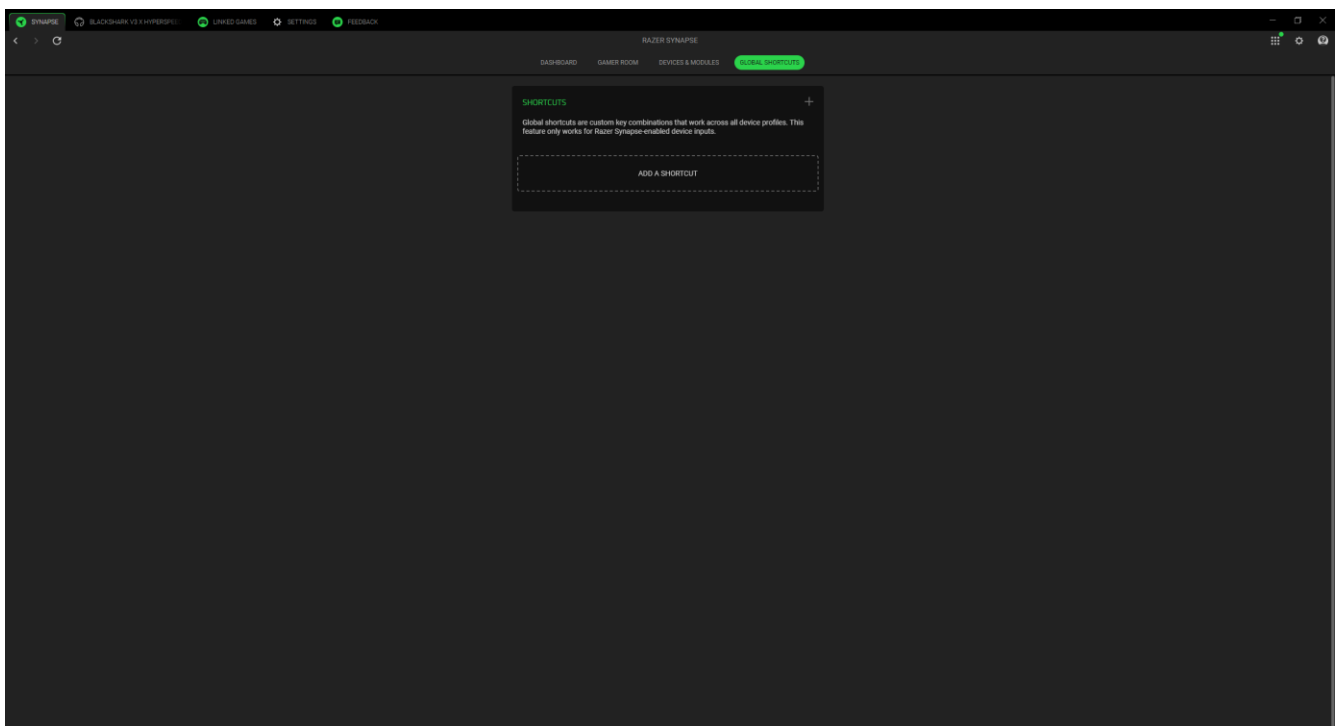
The Modules subtab displays all installed and available modules for installation.



## Global Shortcuts

Bind operations or Razer Synapse functions to custom key-combinations from any Razer Synapse-enabled device inputs, which apply across all device profiles.

 *Only Razer Synapse-enabled device inputs will be recognized.*



## BLACKSHARK V3 X HYPERSPEED

The BlackShark V3 X HyperSpeed tab is the main tab for your Razer headset. You can change your device settings from here, such as lighting (if supported), setting and customizing EQ profiles, and adjusting the overall system volume or individual volume of all active applications. Any changes under this tab will be saved automatically to your local system and cloud storage. Use the following buttons below to access your profile options:

▾ Profiles Dropdown Bar

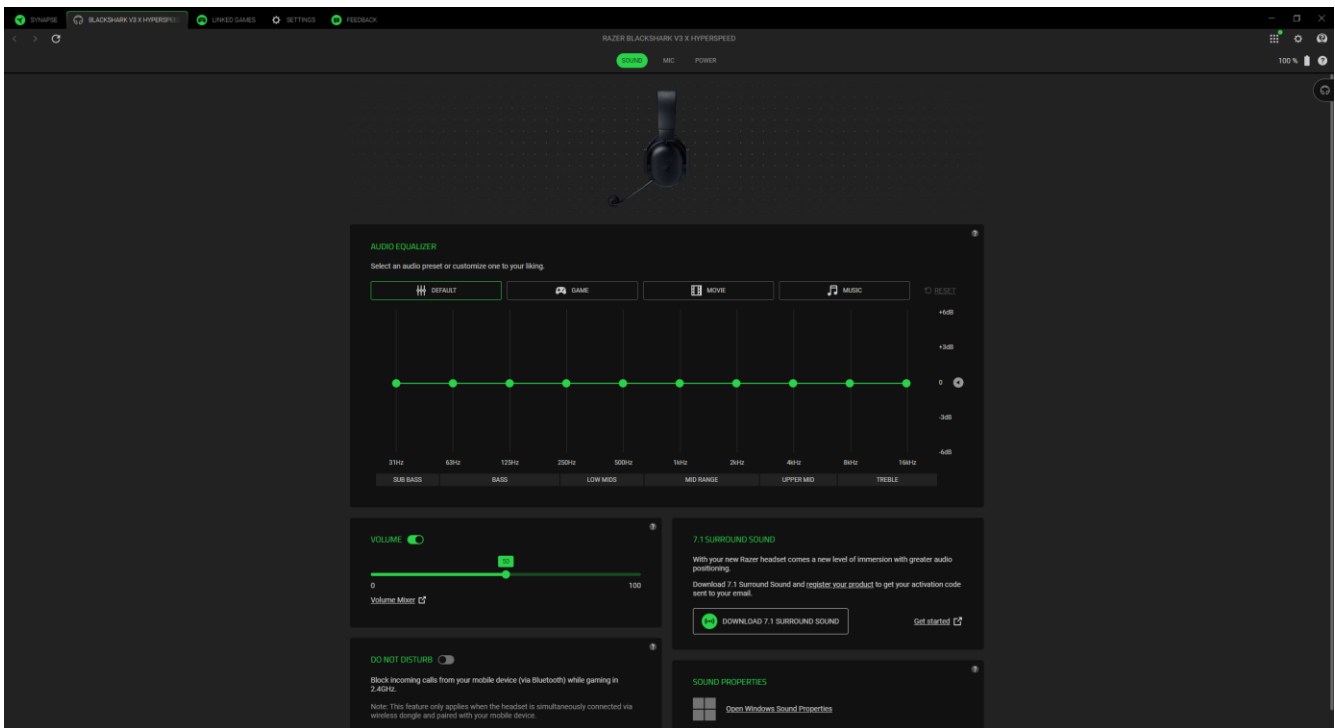
Clicking this dropdown bar will display all the profiles for this device so you can quickly change profiles.

⋮ Miscellaneous

Clicking this button will open a pop-up with options related to your current profile.

### Sound

The Sound subtab is for adjusting and modifying your device's audio settings.



### Audio equalizer

Select any available equalizer preset created for the best audio experience designed for gaming immersion, movie viewing, or enjoying your favorite music. Manually adjusting any equalizer preset will automatically set it to Custom.



## Volume

Adjust the audio volume of the device. You can also adjust the system's overall volume or individual application volumes using the Windows volume mixer.

## 7.1 Surround Sound

The following functions are only available for devices that come with THX Spatial Audio: [Learn which devices include 7.1 Surround Sound](#)

## Do Not Disturb

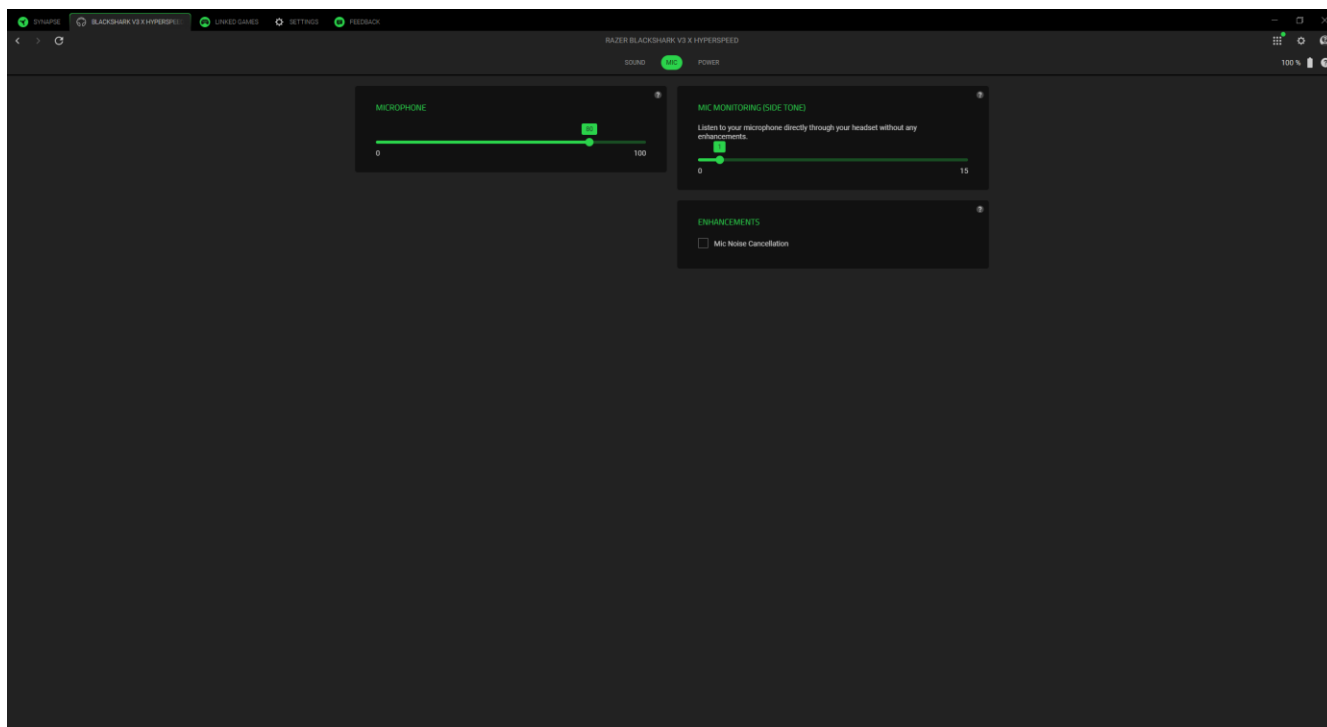
Turn on Do Not Disturb to block Bluetooth calls to your headset or turn it off to take calls while using your 2.4GHz dongle.

## Sound Properties

Launch the Windows Sound Properties window to manage system sound settings, such as playback and recording device configurations, sound schemes, and default communications activity.

## Mic

The Mic subtab enables you to change all outgoing mic audio settings.



## Microphone

Adjust the microphone volume or disable it by using the toggle. You can also activate the **Mic Preview** to test the microphone's input audio intensity.

### *Monitoring (Side tone)*

Toggle this setting to monitor your microphone's sound directly via the headset, adjusting the monitoring volume as desired.

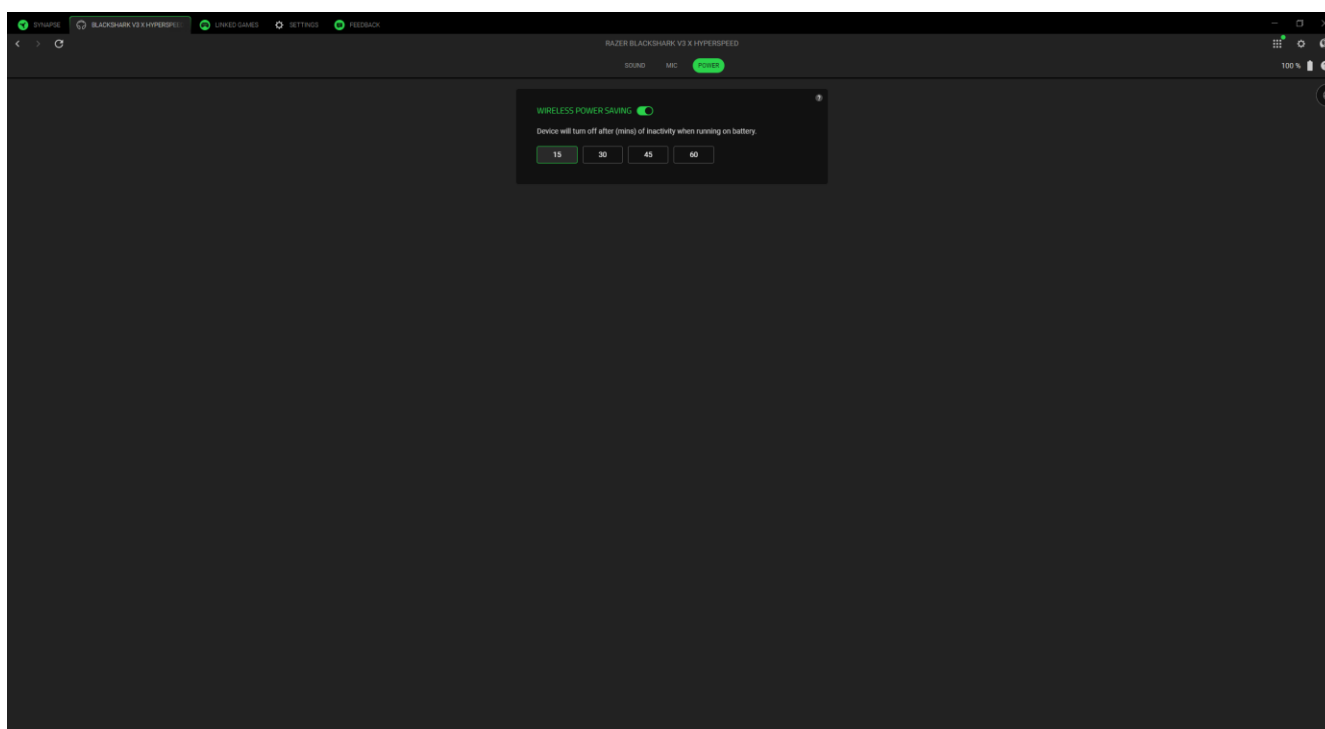
### *Enhancements*

Enhance mic input quality by enabling and adjusting the listed features.

- **Mic Noise Cancellation.** Suppresses environmental noise.

## Power

For wireless devices, the Power subtab allows you to manage your device's energy consumption when running on batteries.



### *Wireless Power Saving*

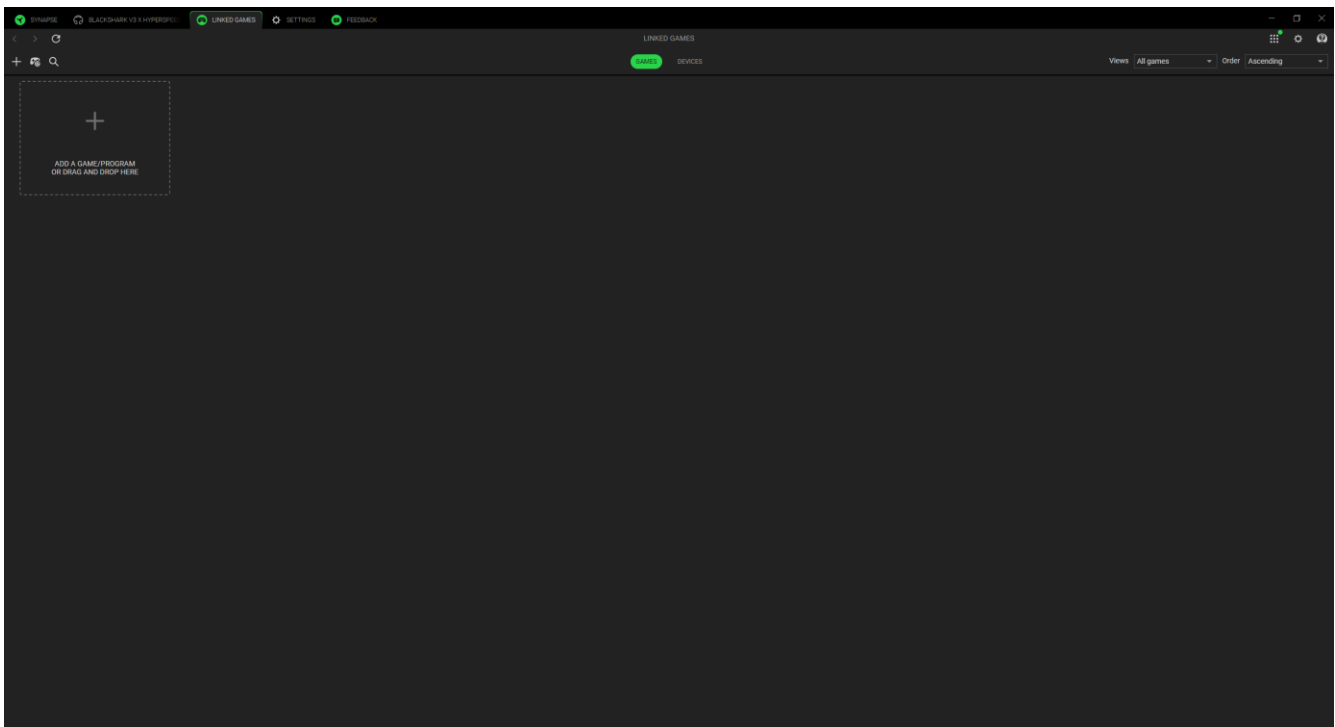
Set the device to power off when it has been idle for a certain amount of time.

## LINKED GAMES

The Linked Games tab allows you to add apps, view peripherals linked to apps, or search for listed apps.

### Games

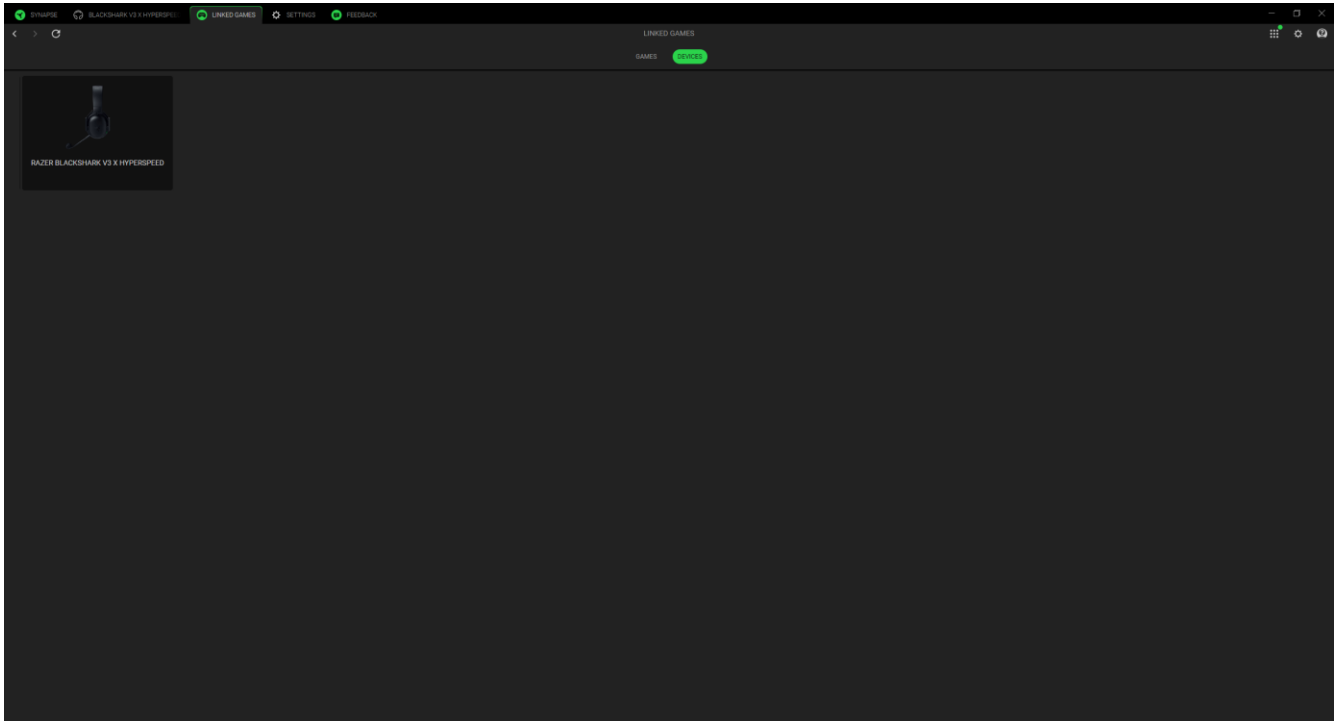
The Games subtab enables you to link apps to your peripherals. You can also sort apps based on alphabetical order, last played, or most played. Apps will still be listed here, even if not linked to a Razer device. To add an app that is not listed on the screen, you can use the Add button (+) to search for it manually or use the Scan button (🔍) to search for it automatically. Click the Search button (🔍) to look for a specific game or program from the list.



To link an app to your Razer device, click on it from the list and select a device and its profile. This will automatically set your device to the selected profile whenever you launch the app.

## Devices

The Devices subtab lets you view your peripherals and determine which apps are linked to them. By selecting a device, you can see a list of linked apps, add new apps, or remove linked apps. You can filter these apps by using the Views and Order dropdown list. To add an app not listed on your peripheral, you can drag and drop the executable file inside the box or use the Add button (+) to open the search window. While inside the search window, you can click the Refresh button (↻) to rescan installed apps, the Search button (🔍) to look for a specific game or program from the list, or the Browse link to search for the app manually.



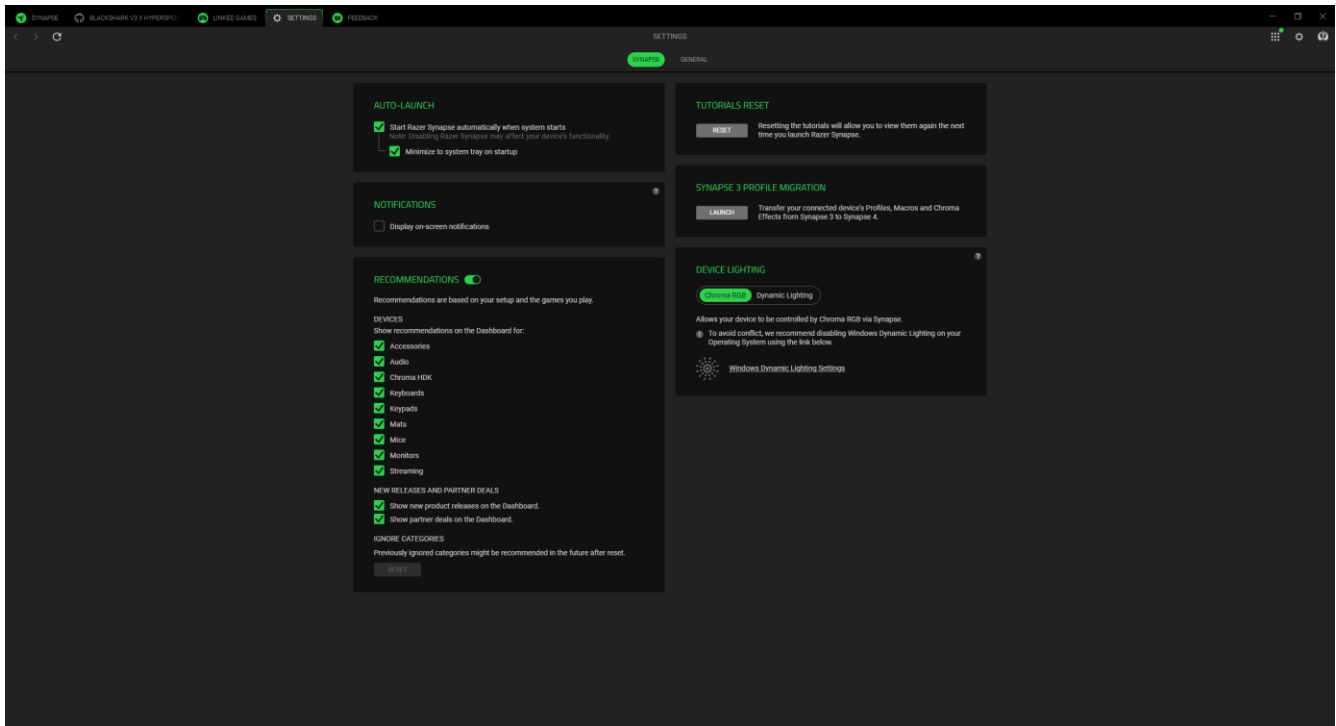
To link an app to your Razer device, click the tick box at the top left corner of the app while inside the search box. This will automatically set your device to the selected profile whenever you launch the app.

## SETTINGS

The Settings tab, accessible by clicking the ( ⚙ ) button, enables you to configure numerous options as listed below:

### Synapse

The Synapse subtab is where you can find options that are specific to the app.



### *Auto Launch*

The Auto Launch option enables you to configure the app's startup behavior.

### *Notifications*

The Notifications option allows the app to display on-screen notifications even if you run full-screen apps.

### *Recommendations*

Recommendations enable us to show the latest products and features on your Dashboard based on your installed devices and linked games.

### *Tutorials Reset*

Selecting the Reset button will reactivate all tutorials that help you acquaint yourself with Razer Synapse's features.

### *Profile Migration*

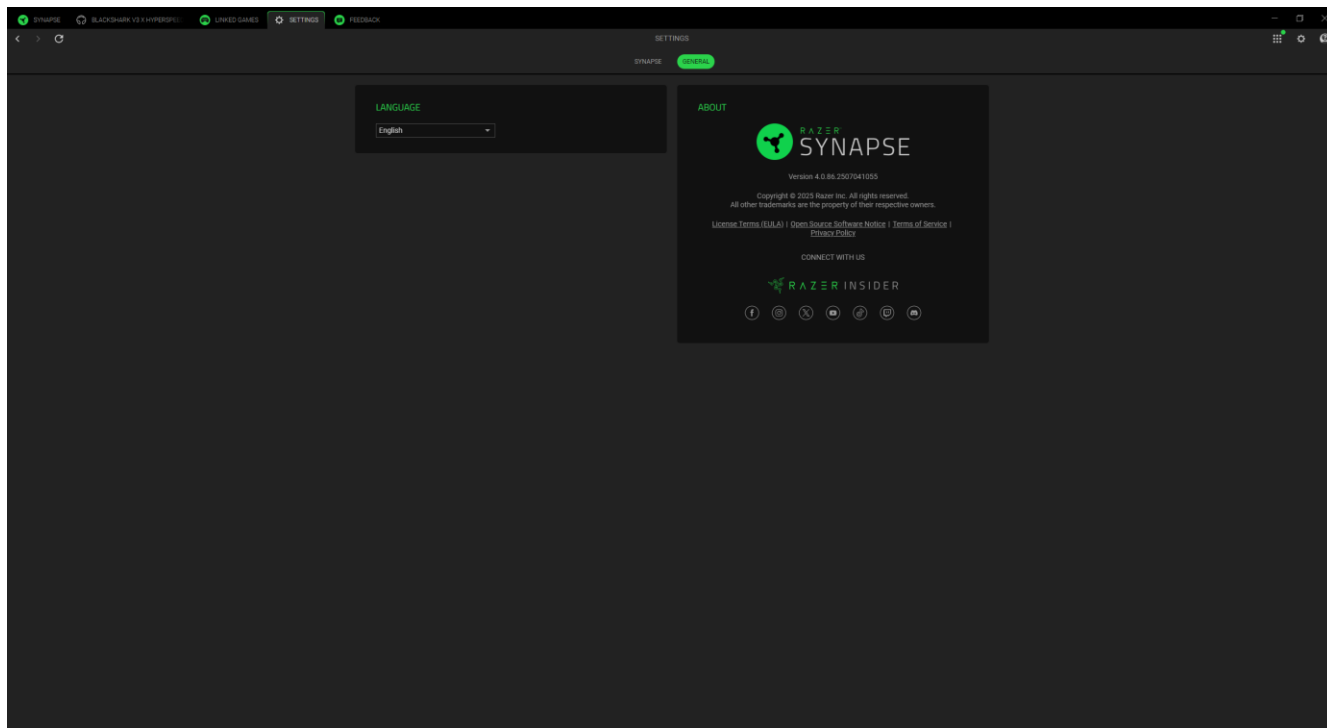
This function lets you transfer all your device's Profiles, Macros, and Chroma Effects from Synapse 3 to the new Synapse.

## Device Lighting

This option lets you choose which app will control the lighting effects on your device.

## General

The General subtab is the section where you can access miscellaneous options for your app, as well as find additional information about the software.



## Language

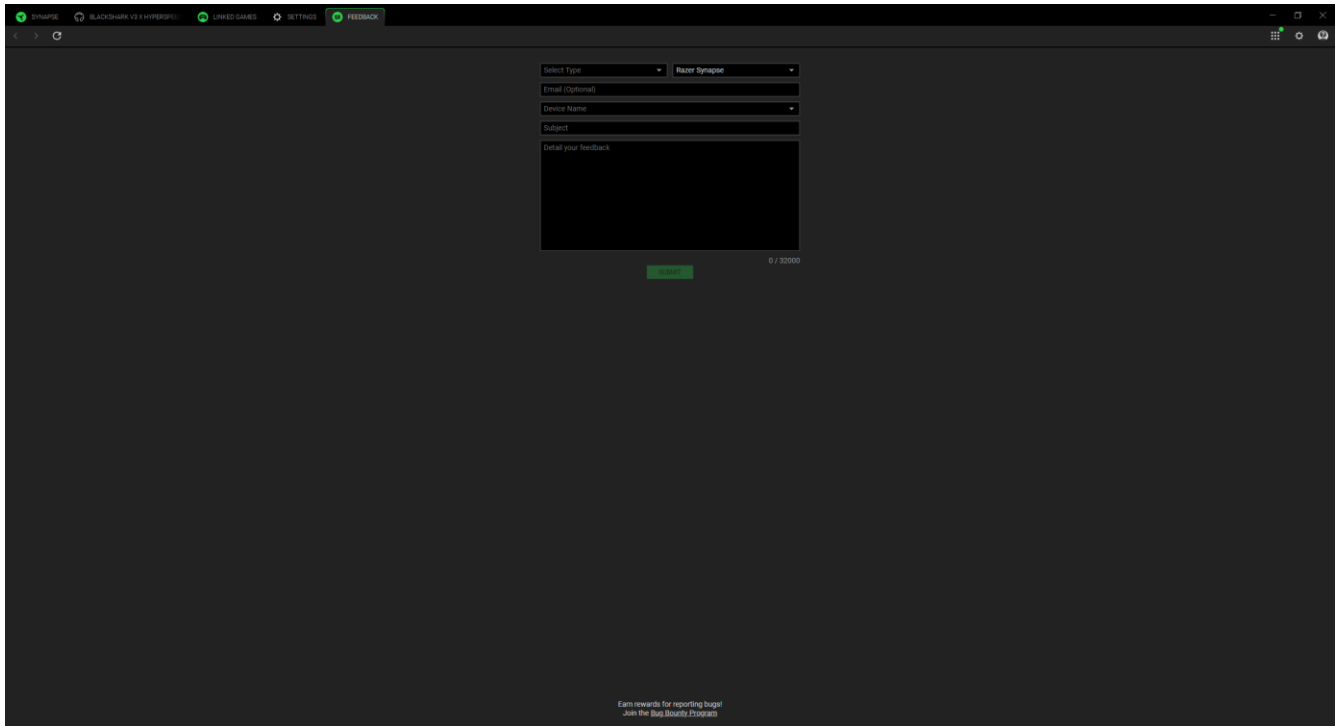
This option lets you change the display language of Razer Synapse.

## About

The About section shows the current software version, displays the copyright statement, and provides relevant links for Razer's terms of use. You may also use this option to access Razer's social communities quickly.

## FEEDBACK

Help us improve Razer Synapse by giving your comments, suggestions, and problems with the software. You can contact us directly using this tab and even earn rewards for reporting bugs.



The image shows a screenshot of the Razer Synapse software interface, specifically the Feedback tab. The interface is dark-themed. At the top, there is a navigation bar with icons for Synapse, Razer Synapse, LIVED CORES, SETTINGS, and FEEDBACK. The FEEDBACK tab is active. The main content area contains a feedback form with the following fields:

- Select Type: Razer Synapse
- Email (Optional):
- Device Name:
- Subject:
- Detail your feedback:

Below the text area, there is a green button labeled "Submit" and a character count "0 / 50000". At the bottom of the screen, there is a small text prompt: "Earn rewards for reporting bugs! Join the Bug Bounty Program".

---

## 7. SAFETY AND MAINTENANCE

### SAFETY GUIDELINES

In order to achieve maximum safety while using your Razer headset, we suggest that you adopt the following guidelines:

Should you have trouble operating the device properly and troubleshooting does not work, unplug the device and contact the Razer hotline or go to [support.razer.com](https://support.razer.com) for assistance.

Don't take apart the device, and don't attempt to operate it under abnormal current loads. Doing so will void your warranty.

Keep the device away from liquid, humidity, or moisture. Operate the device only within the specific temperature range of 0°C (32°F) to 40°C (104°F). Should the temperature exceed this range, unplug and/or switch off the device to stabilize the temperature to an optimal level.

We recommend stretching your Razer headset gently apart before placing them over your head to minimize headband stress. However, please avoid overstretching the headset beyond its technical limits.

The device isolates external ambient sounds even at low volumes, resulting in lowered awareness of your external surroundings. Please remove the device when engaging in activities requiring active awareness of your surroundings.

Listening to excessively loud volumes over extended periods can damage your hearing. Furthermore, legislation of certain countries permits a maximum sound level of 86db to affect your hearing for 8 hours a day. We, therefore, recommend that you reduce the volume to a comfortable level when listening for prolonged periods. Please, take good care of your hearing.

### MAINTENANCE AND USE

Your Razer headset requires minimum maintenance to keep it in optimum condition. Once a month, we recommend you clean the device using a soft cloth or cotton swab to prevent dirt buildup. Don't use soap or harsh cleaning agents.



---

## 8. LEGALESE

### **COPYRIGHT AND INTELLECTUAL PROPERTY INFORMATION**

©2025 Razer Inc. All rights reserved. Razer, the triple-headed snake logo, Razer logo, and “For Gamers. By Gamers.”, are trademarks or registered trademarks of Razer Inc. and/or affiliated companies in the United States or other countries. All other trademarks are the property of their respective owners.

Android, Google, Google Logo, Google Play, and the Google Play logo are trademarks of Google LLC.

Apple, the Apple logo, and iPhone are trademarks of Apple Inc., registered in the U.S. and other countries. App Store is a service mark of Apple Inc.

Copyright © 2003-2023 by Bluetooth SIG, Inc. The Bluetooth® word mark and logos are registered trademarks owned by Bluetooth SIG, Inc.

Windows and the Windows logo are trademarks or registered trademarks of the Microsoft group of companies.

Razer Inc. (“Razer”) may have copyright, trademarks, trade secrets, patents, patent applications, or other intellectual property rights (whether registered or unregistered) concerning the product in this guide. Furnishing of this guide does not give you a license to any such copyright, trademark, patent or other intellectual property right. Your Razer BlackShark V3 X HyperSpeed (the “Product”) may differ from pictures whether on packaging or otherwise. Razer assumes no responsibility for such differences or for any errors that may appear. Information contained herein is subject to change without notice.

### **LIMITED PRODUCT WARRANTY**

For the latest and current terms of the Limited Product Warranty, please visit [razer.com/warranty](https://www.razer.com/warranty).

### **LIMITATION OF LIABILITY**

Razer shall in no event be liable for any lost profits, loss of information or data, special, incidental, indirect, punitive or consequential or incidental damages, arising in any way out of distribution of, sale of, resale of, use of, or inability to use the Product. In no event shall Razer’s liability exceed the retail purchase price of the Product.

## **GENERAL**

These terms shall be governed by and construed under the laws of the jurisdiction in which the Product was purchased. If any term herein is held to be invalid or unenforceable, then such term (in so far as it is invalid or unenforceable) shall be given no effect and deemed to be excluded without invalidating any of the remaining terms. Razer reserves the right to amend any term at any time without notice.