

## Europe, Middle East

ENGLISH

FRANÇAIS

DEUTSCH

NEDERLANDS

ITALIANO

ESPAÑOL

PORTUGUÊS

РУССКИЙ

ČESTINA

TÜRKÇE

POLSKI

SVENSKA

SUOMI

SLOVENCINA

MAGYAR

עברית

العربية

## North America/

## Norteamérica

ENGLISH

FRANÇAIS

ESPAÑOL

## Latin America/

## América Latina

ENGLISH

ESPAÑOL

PORTUGUÊS

## Asia Pacific

日本語

简体中文

繁體中文

한국어

ENGLISH

# **THRUSTMASTER®**



# **SIMTASK**

# **FARMSTICK**

# **THRUSTMASTER®**



# **SIMTASK FARMSTICK**

**XBOX SERIES X|S – PC**

## **User Manual**



**Carefully read** the instructions provided in this manual **before** installing the product, **before** any use of the product and **before** any maintenance. Be sure to follow the safety instructions. Failure to follow these instructions may result in accidents and/or damage. Keep this manual so that you can refer to the instructions in the future.

# TABLE OF CONTENTS

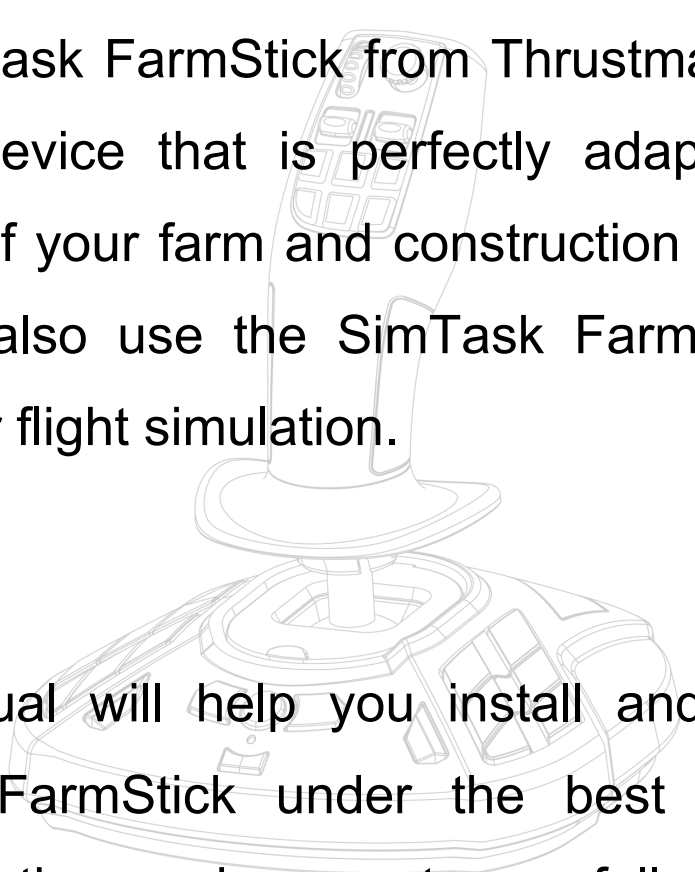
<b>1. BOX CONTENTS .....</b>	<b>5</b>
<b>2. FEATURES .....</b>	<b>6</b>
<b>3. INFORMATION REGARDING USE.....</b>	<b>9</b>
<b>4. GETTING TO KNOW YOUR JOYSTICK.....</b>	<b>12</b>
<i>Key points .....</i>	<i>12</i>
<i>H.E.A.R.T. (HallEffect AccuRate Technology)</i>	
<i>precision technology .....</i>	<i>13</i>
<i>Drive mode &lt;&gt; Work mode .....</i>	<i>14</i>
<i>Rotating handle .....</i>	<i>17</i>
<i>“Point-of-view” mini-stick .....</i>	<i>18</i>
<i>SimTask FarmStick connectivity on Xbox</i>	
<i>Series X S* and PC* .....</i>	<i>19</i>
<i>Right- and left-handed joystick</i>	
<i>configuration.....</i>	<i>21</i>

<b>5.</b>	<b>INSTALLATION ON XBOX SERIES X S.....</b>	<b>24</b>
<b>6.</b>	<b>XBOX MAPPING.....</b>	<b>26</b>
<b>7.</b>	<b>INSTALLATION ON PC.....</b>	<b>29</b>
<b>8.</b>	<b>PC MAPPING.....</b>	<b>31</b>
<b>9.</b>	<b>THROTTLE.....</b>	<b>34</b>
<b>10.</b>	<b>INTERCHANGEABLE TRIGGER.....</b>	<b>35</b>
<b>11.</b>	<b>INSTALLATION ON XBOX SERIES X S* OR PC* WITH TFRP RUDDER** .....</b>	<b>37</b>
<b>12.</b>	<b>FAQ AND TECHNICAL SUPPORT.....</b>	<b>39</b>





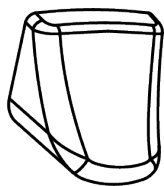
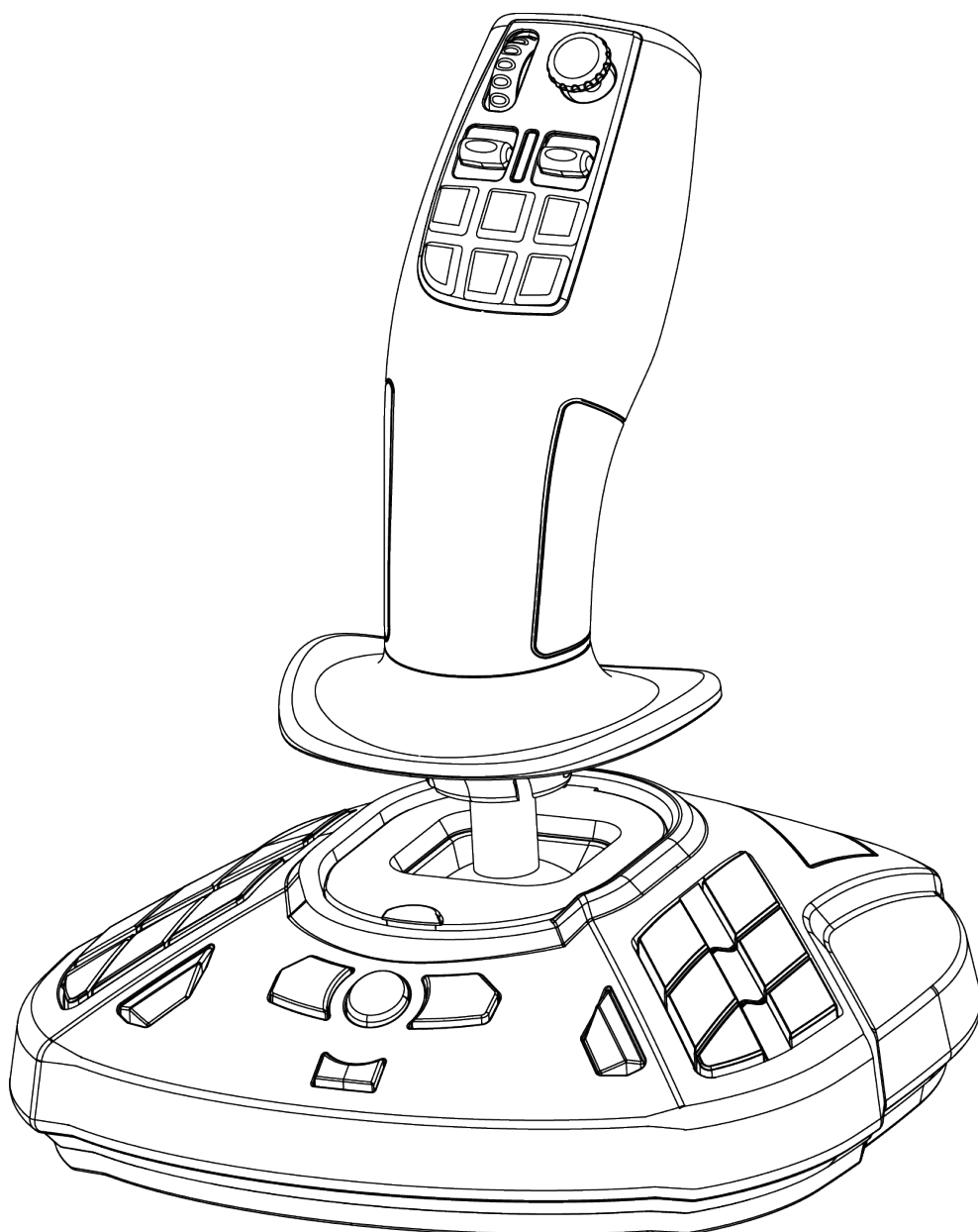
With SimTask FarmStick from Thrustmaster, you'll enjoy a device that is perfectly adapted to the handling of your farm and construction machinery. You can also use the SimTask FarmStick as a joystick for flight simulation.

A faint, light gray line drawing of the SimTask FarmStick joystick is centered in the background. It shows the base with various buttons and a central joystick column with a grip and a top cap.

This manual will help you install and use your SimTask FarmStick under the best conditions. Before starting, make sure to carefully read all of these instructions and warnings: they will help you get the most enjoyment out of your product.

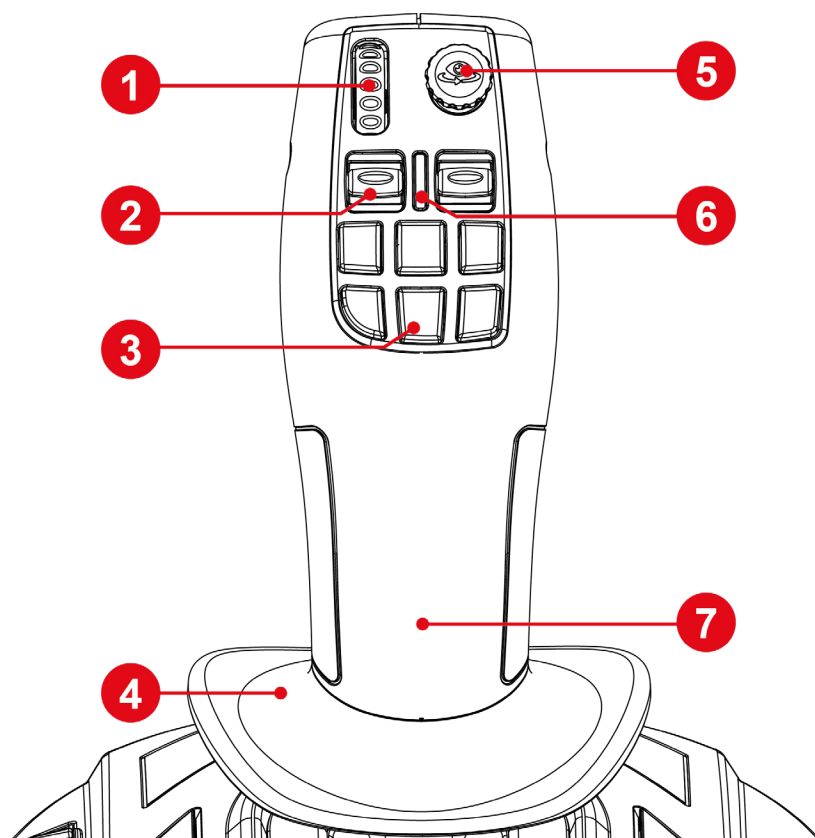


# 1. Box contents

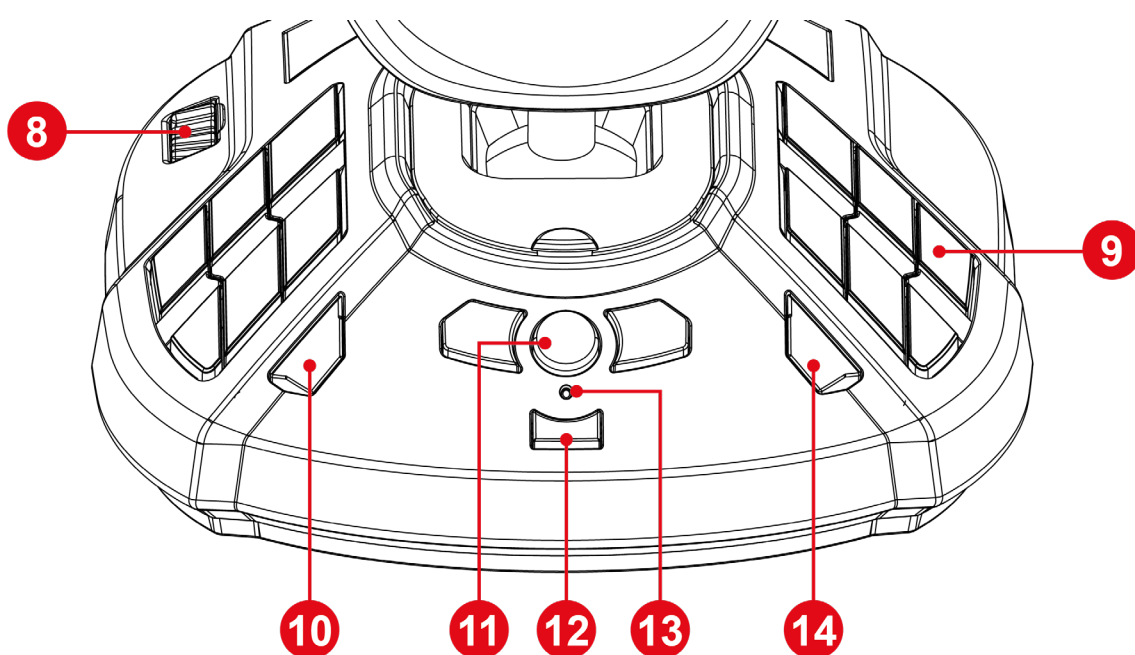




## 2. Features



1. Thumbwheel
2. Rocker switch
3. Quick action buttons
4. Hand rest
5. "Point-of-view" mini-stick
6. Stick mode indicator LED
7. Ambidextrous handle



8. Throttle

9. Programmable action buttons

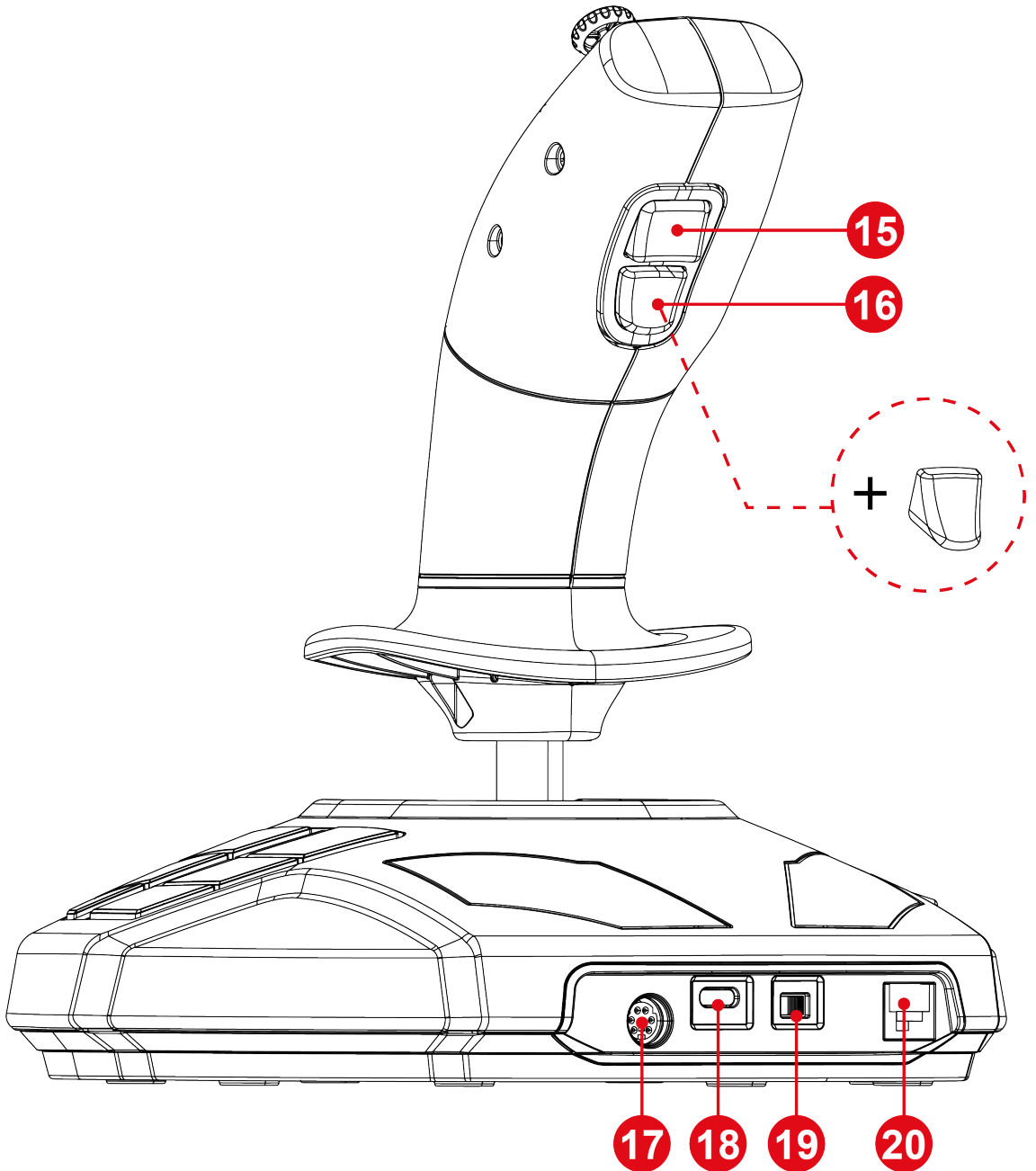
10. View button

11. Xbox button

12. Share button

13. Indicator light

14. Menu button



- 15. Stick mode change button
- 16. Interchangeable action trigger
- 17. DIN port for additional accessories\*
- 18. USB-C port
- 19. Xbox / PC Selector
- 20. RJ12 port for TFRP rudder\*

*\*sold separately*



### 3. Information regarding use



#### **Documentation**

Before using this product, carefully read this documentation again, and keep it for future reference.



### **Electrical shock**

- Keep the product in a dry location and do not expose it to dust or sunlight.
- Observe connection directions.
- Do not twist or pull on the connectors and cables.
- Do not spill any liquid on the product or its connectors.
- Do not short-circuit the product.
- Never dismantle the product; do not throw it onto a fire and do not expose it to high temperatures.
- Do not open up the device: there are no user-serviceable parts inside. Any repairs must be carried out by the manufacturer, a specified agency or a qualified technician.



### **Securing the gaming area**

- Do not place any object in the gaming area which may disrupt the practice of the user, or which may provoke an inappropriate movement or an interruption by another person (coffee cup, telephone, keys, for example).
- Do not cover the power cables with a carpet or rug, blanket or covering or any other item, and do not place any cables where people will be walking.





## 4. Getting to know your joystick

### *Key points*

- 33 buttons and 6 virtual buttons, including a thumbwheel and two rocker switches
- 6 axes, including a mini-stick, the joystick's handle rotation and a throttle
- Stick mode indicator LED
- H.E.A.R.T. technology (HallEffect AccuRate Technology)
- Connection to USB-A port
- Throttle
- RJ12 port for TFRP rudder\*

*\*sold separately*



## ***H.E.A.R.T. (HallEffect AccuRate Technology) precision technology***

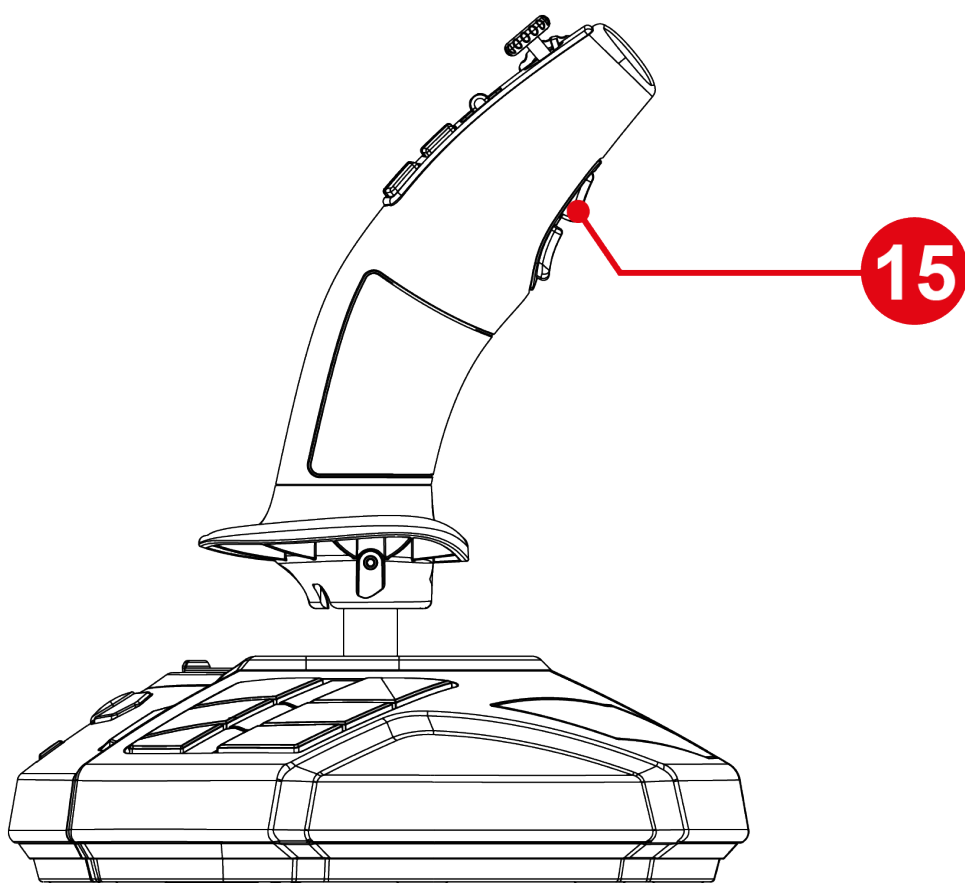
Your SimTask FarmStick features technology providing it with a level of precision currently unequalled in the world of gaming joysticks, including:

- 3D (Hall Effect) magnetic sensors on the stick, with a resolution of more than 268 million values over all the X and Y axes (16,384 x 16,384 values).
- A magnet: no friction, for unlimited precision and incredible responsiveness that will last.
- A coil spring on the stick (2.8 mm): for firm, linear and ultra-fluid tension.



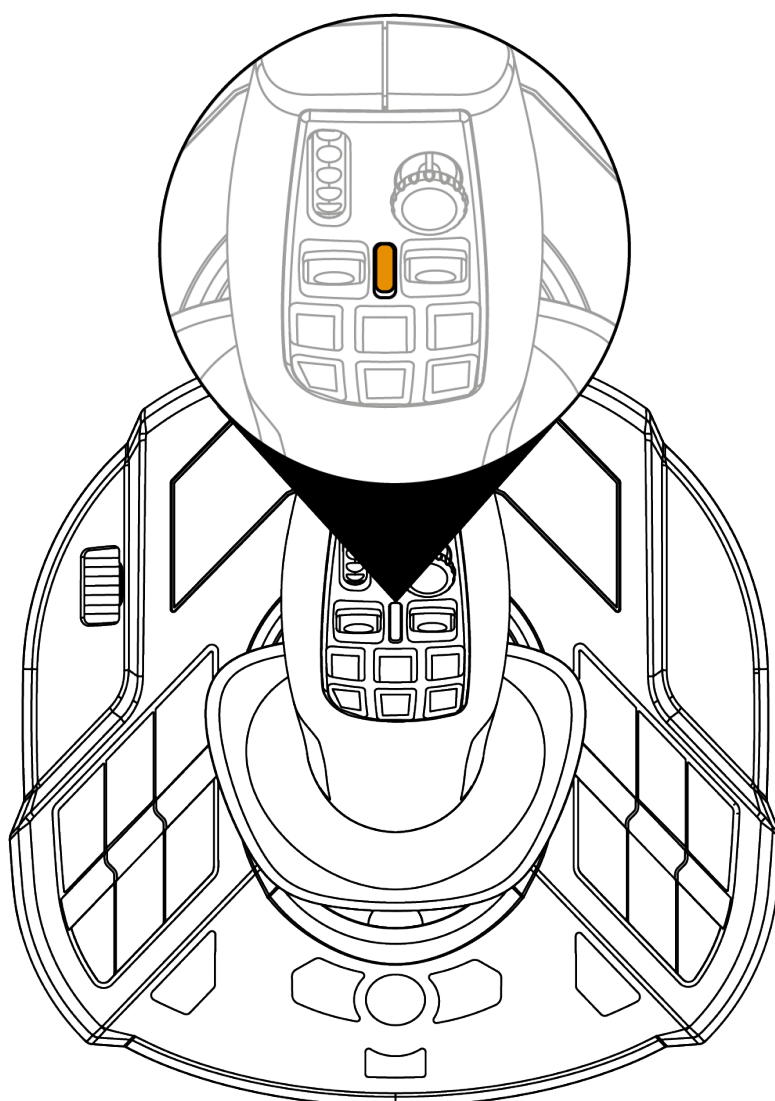
## *Drive mode <> Work mode*

Button **15** lets you switch from **Drive** mode to **Work** mode and vice versa.



This feature extends the range of actions that can be performed with the thumb, i.e. via the thumbwheel **1** and the two rocker switches **2**.

Changing mode modifies the action associated with the thumbwheel **1** and the two rocker switches **2**.



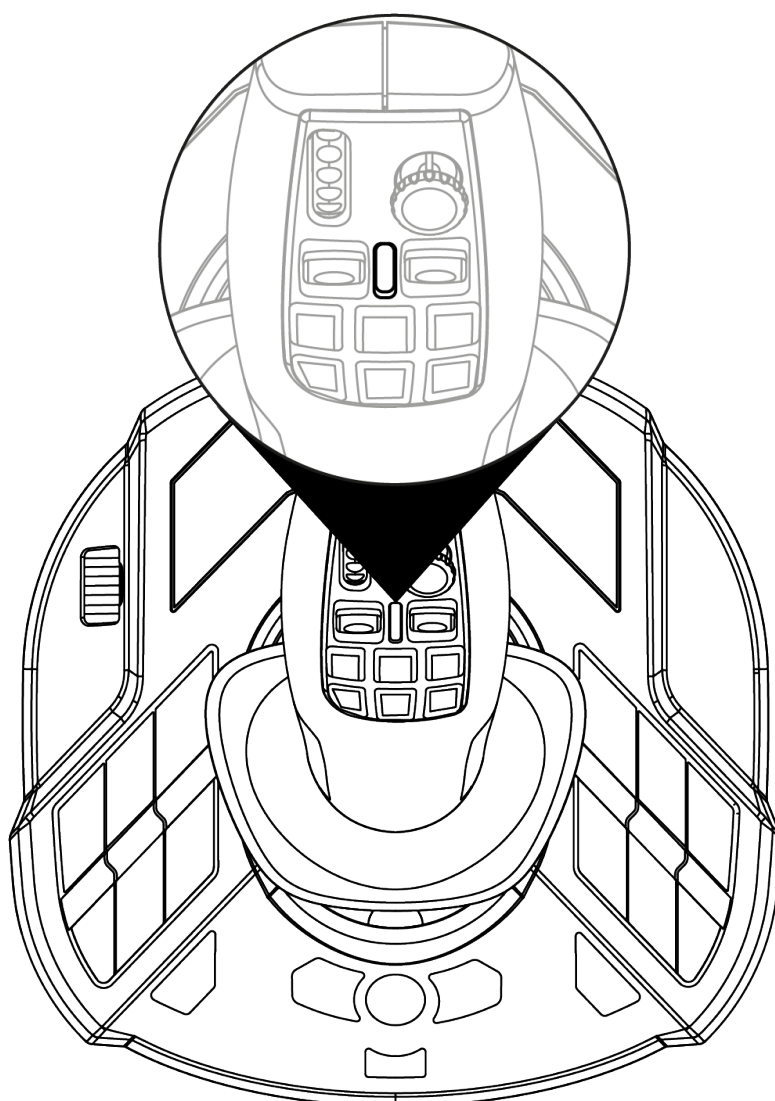
### Drive mode (default)

In **Drive** mode, the stick mode indicator LED ⑥ lights up orange.



In **Drive** mode, the action associated with the thumbwheel ① and rocker switches ② can be as follows:

- Thumbwheel: control of regulator setpoint.
- Rocker switches: gearbox management.



## Work mode

In **Work** mode, the stick mode indicator LED ⑥ lights up white.



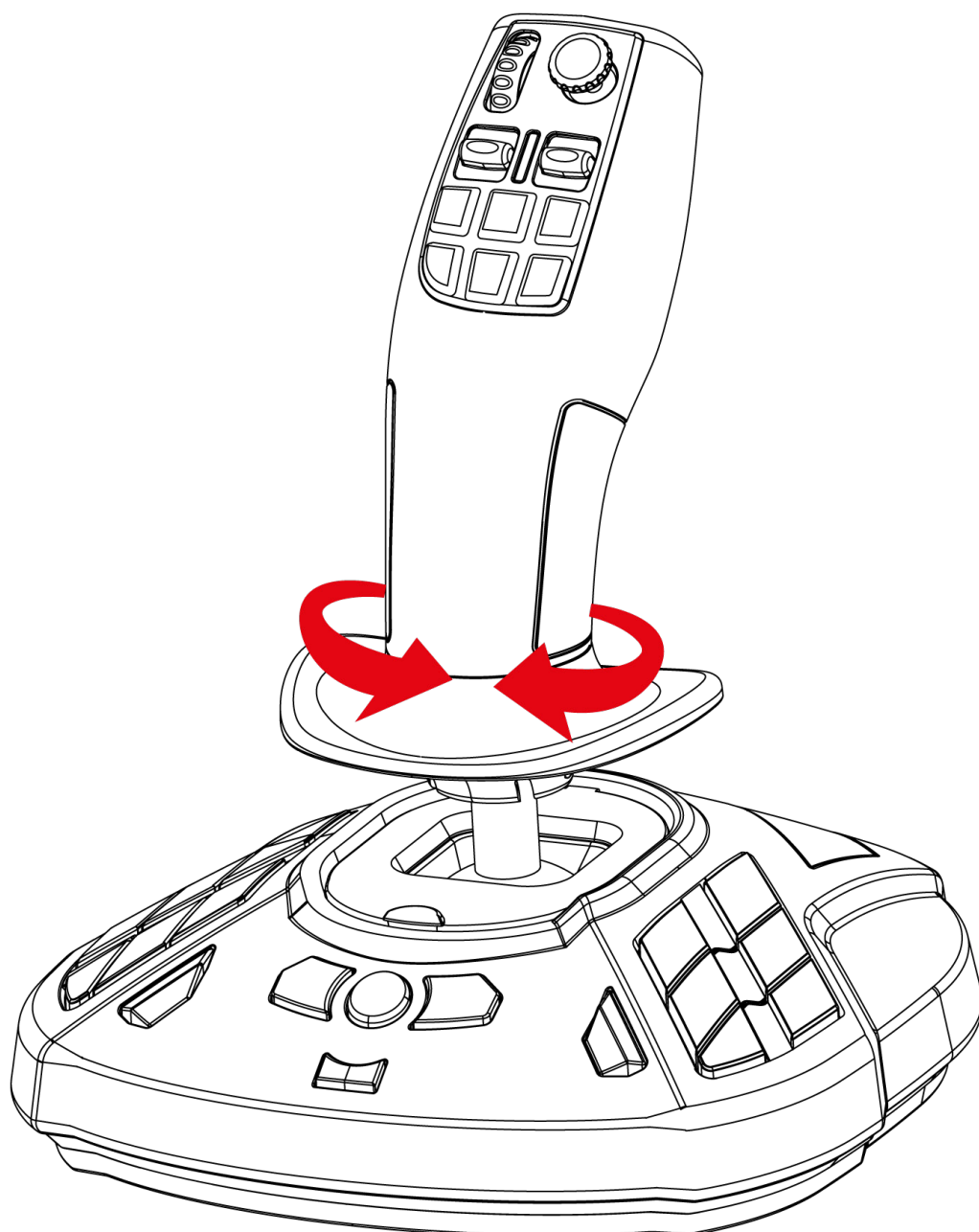
In **Work** mode, the action associated with the thumbwheel ① and rocker switches ② can be as follows:

- Thumbwheel: control of camera zoom.
- Rocker switches: control of crane arms or loaders.



## *Rotating handle*

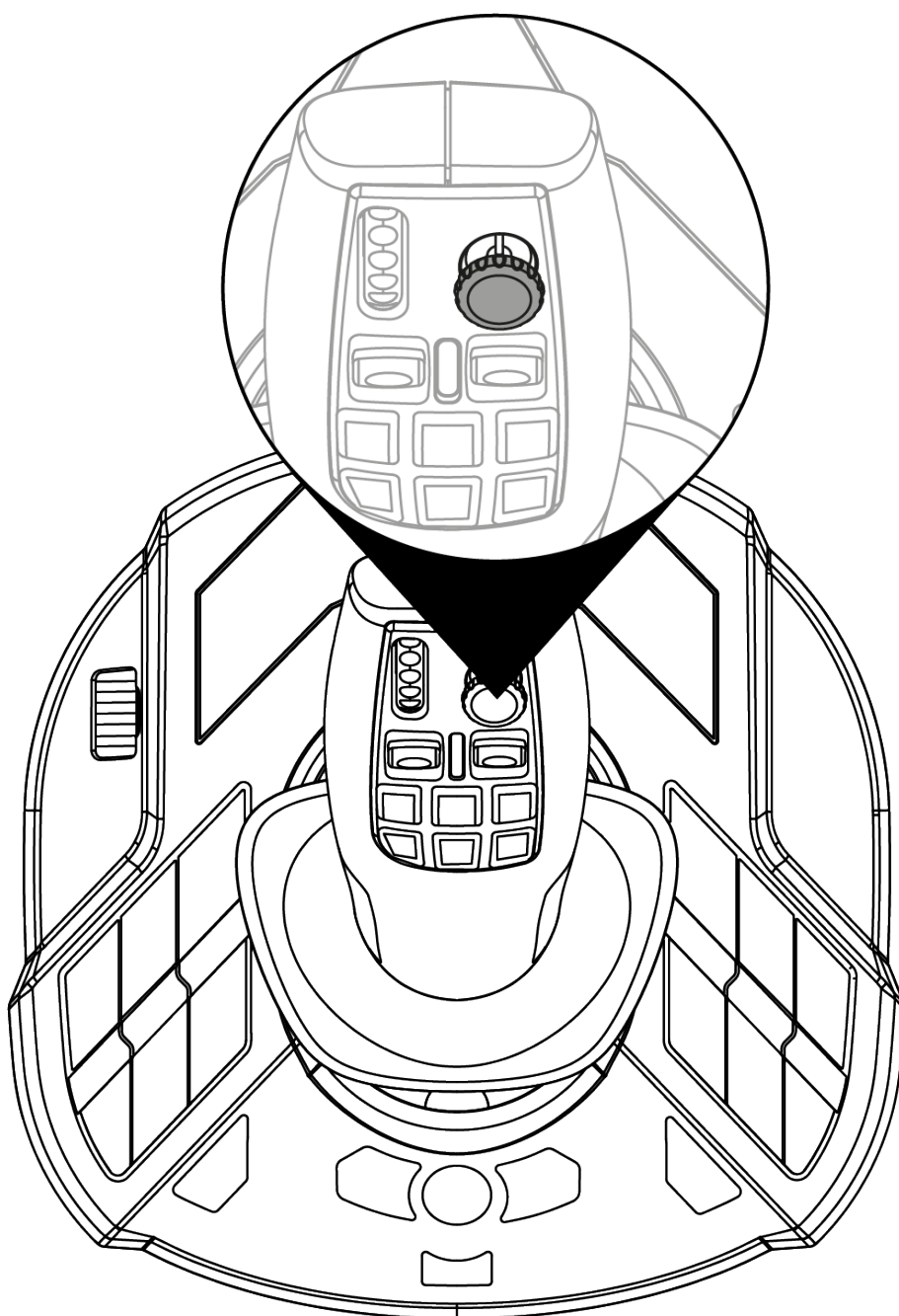
SimTask FarmStick features a handle that rotates about its horizontal axis. This is useful for maneuvering a crane head or an excavator, for example.





## *“Point-of-view” mini-stick*

SimTask FarmStick features a “Point-of-view” mini-stick ⑤ that lets you see what is in the field of vision of the machine operator.





## ***SimTask FarmStick connectivity on Xbox Series X|S\* and PC\****

SimTask FarmStick features six axes, but offers the option of connecting a TFRP\*\* rudder to the back of the joystick. This provides you with two additional axes, as well as rudder control with the TFRP.



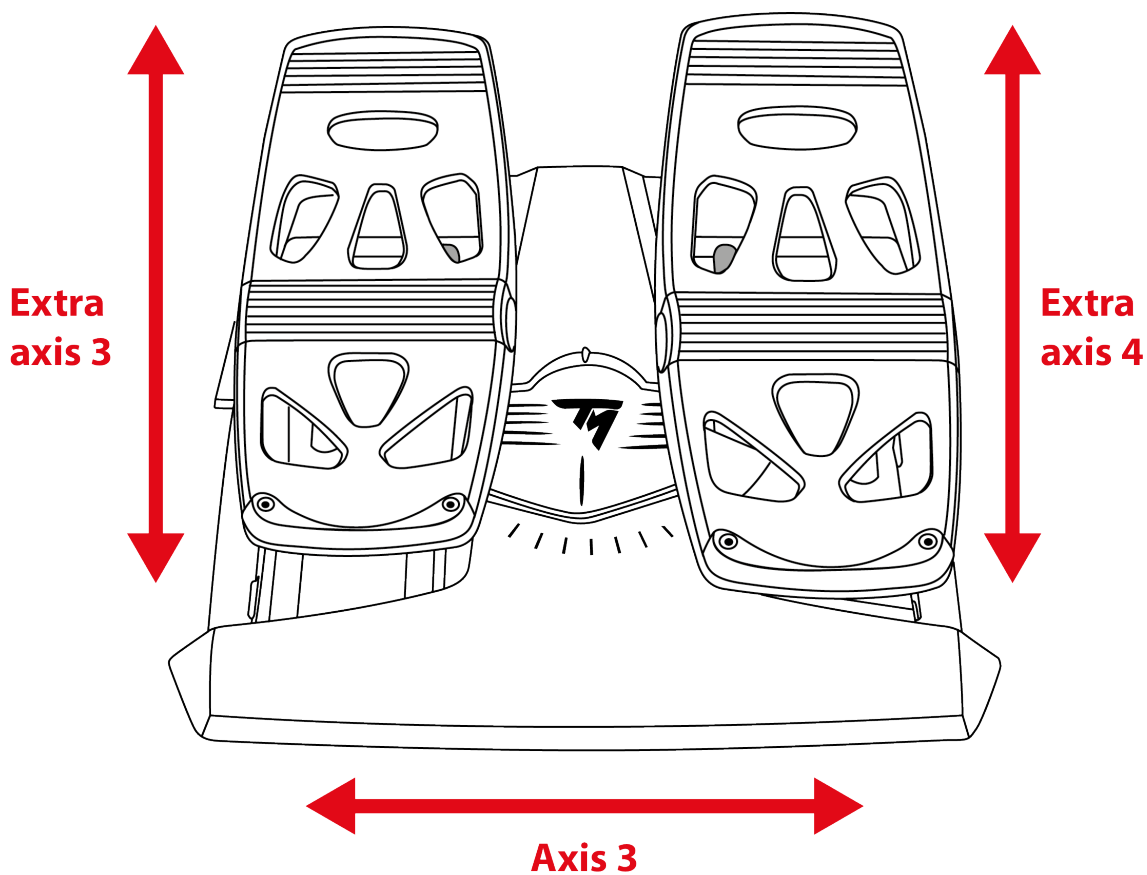
The TFRP rudder is the only device supported on Xbox Series X|S and PC.

*\*not provided / \*\*sold separately*

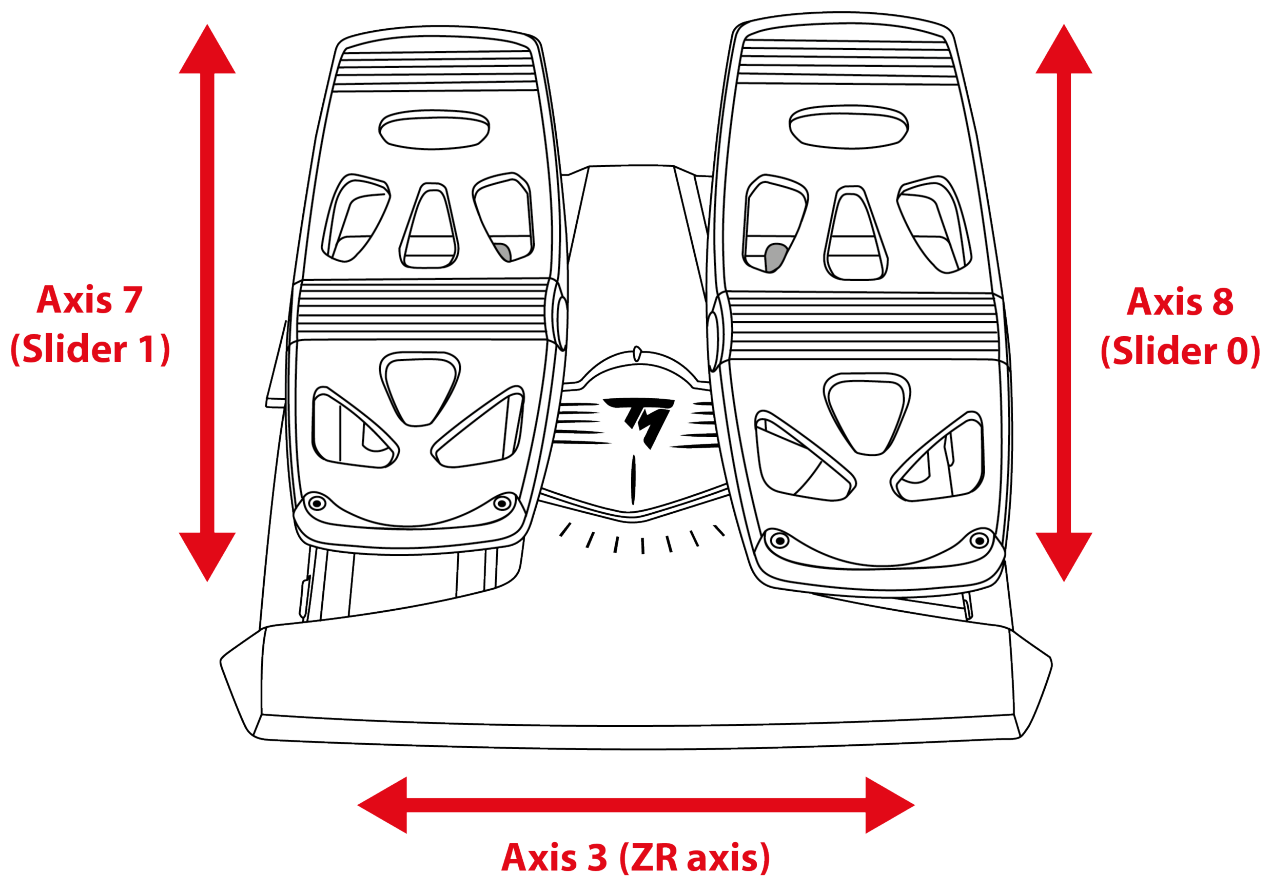




Mapping for Xbox:



Mapping for PC:





## ***Right- and left-handed joystick configuration***

Your SimTask FarmStick is ambidextrous to adapt seamlessly to all players, be they right- or left-handed.

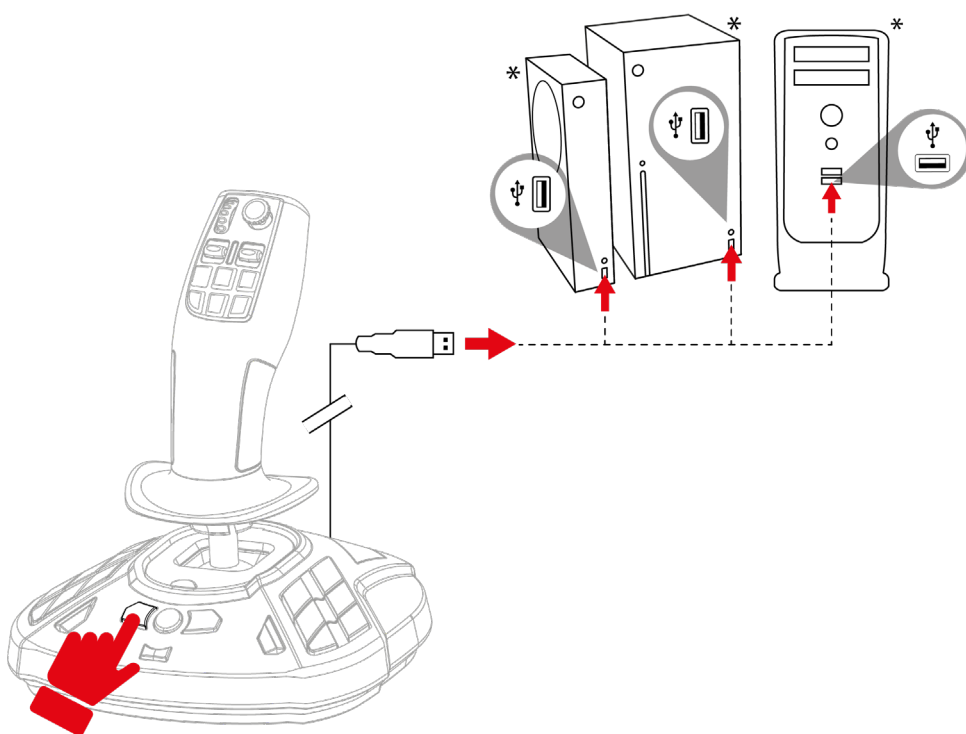
By default, the joystick is set to right-handed mode.



To set the joystick in LEFT-HANDED mode:

1. Press and hold button 14 (on PC) or Prev (on Xbox Series X|S) when connecting your SimTask FarmStick to your Xbox Series X|S or PC.

The LED stick indicator light **6** will flash white for five seconds.



2. Release button 14 (on PC) or Prev (on Xbox Series X|S).



LEFT-HANDED mode is automatically saved to the SimTask FarmStick's internal memory.

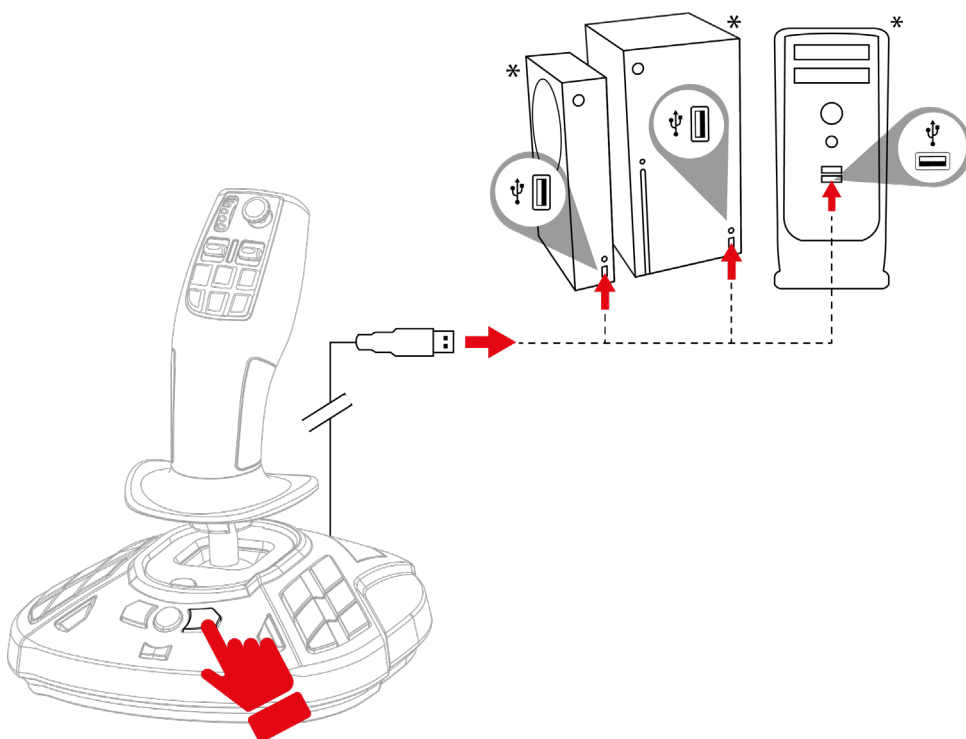
*\*not provided*



To reset the joystick to RIGHT-HANDED mode:

1. Press and hold button 16 (on PC) or Next (on Xbox Series X|S) when connecting your SimTask FarmStick to your Xbox Series X|S or PC.

The LED stick indicator light **6** will flash orange for five seconds.



2. Release button 16 (on PC) or Next (on Xbox Series X|S).



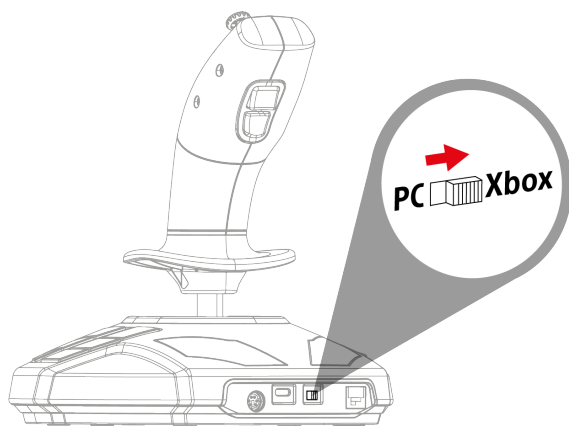
RIGHT-HANDED mode is automatically saved to the SimTask FarmStick's internal memory.

*\*not provided*

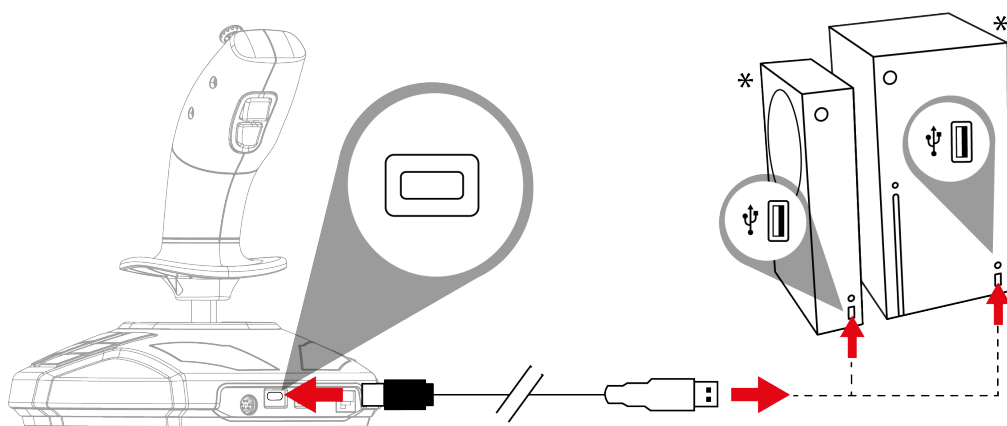


## 5. Installation on Xbox Series X|S

1. Set the switch **19** on the back of the joystick to the Xbox position.



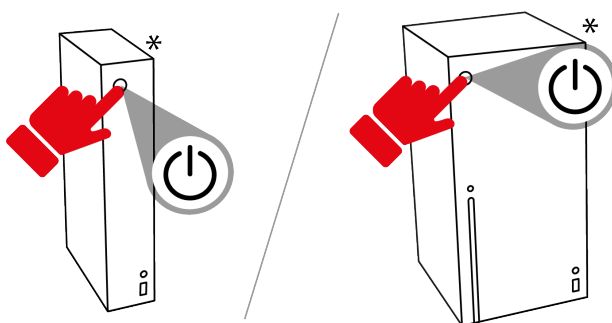
2. Plug the USB-C – USB-A cable into the joystick's USB-C port **18** and one of the console's\* USB-A ports.



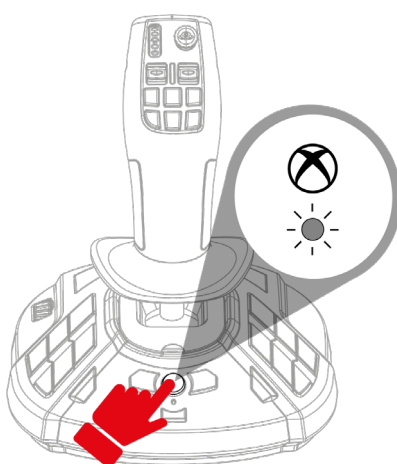
*\*not provided*



3. Turn on your console.



4. Press the Xbox button. The joystick's indicator light will glow white.



5. Launch a compatible game.

You are now ready to play!

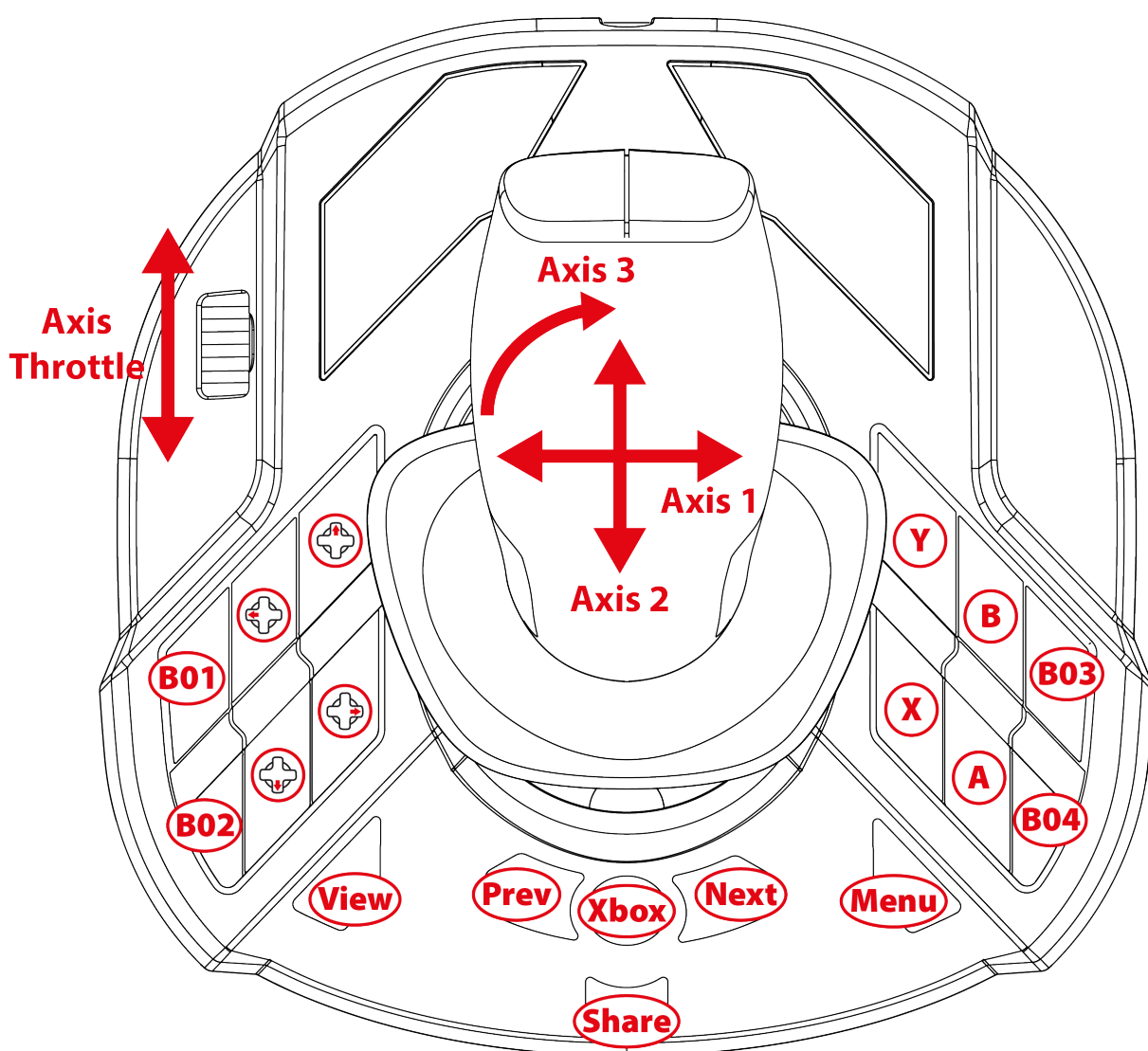


When connecting your joystick, always keep the handle in its central position, do not move or rotate it, in order to avoid any calibration problems.

*\*not provided*

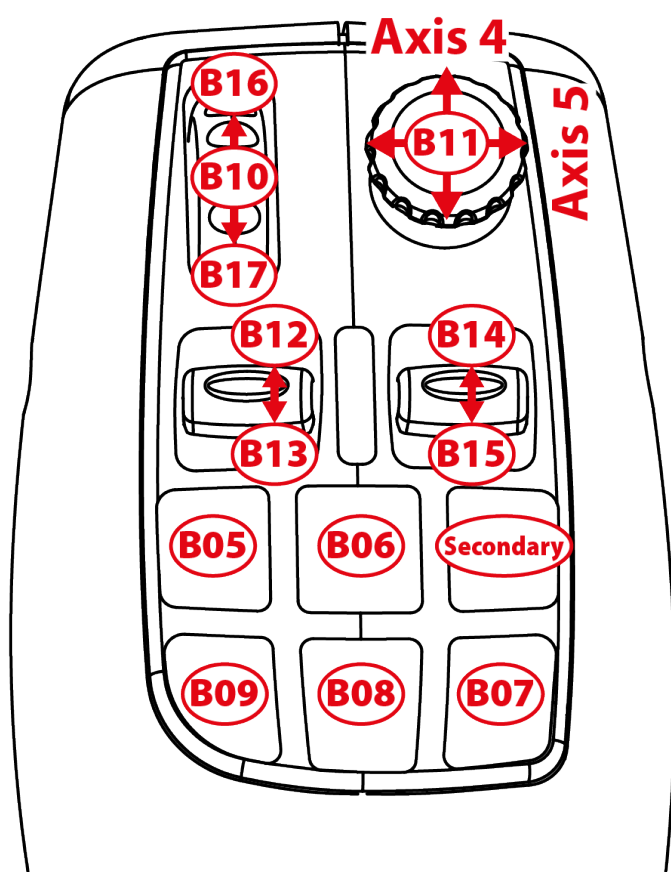


## 6. Xbox mapping

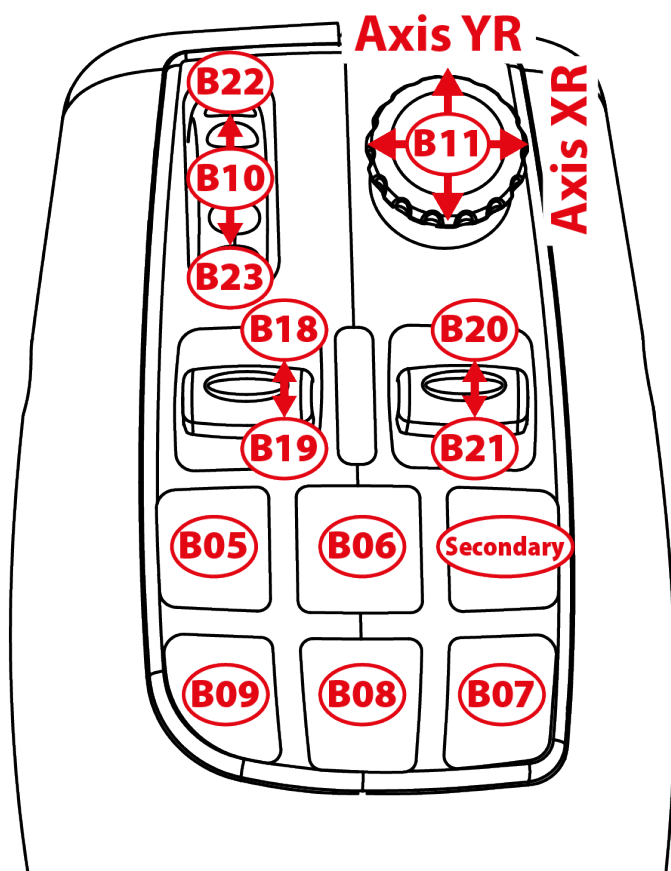


Mapping is identical in right-handed and left-handed modes.

Right-handed (default) / left-handed mode can be selected by following [this](#) procedure. When using two joysticks simultaneously, this mode helps you differentiate them.

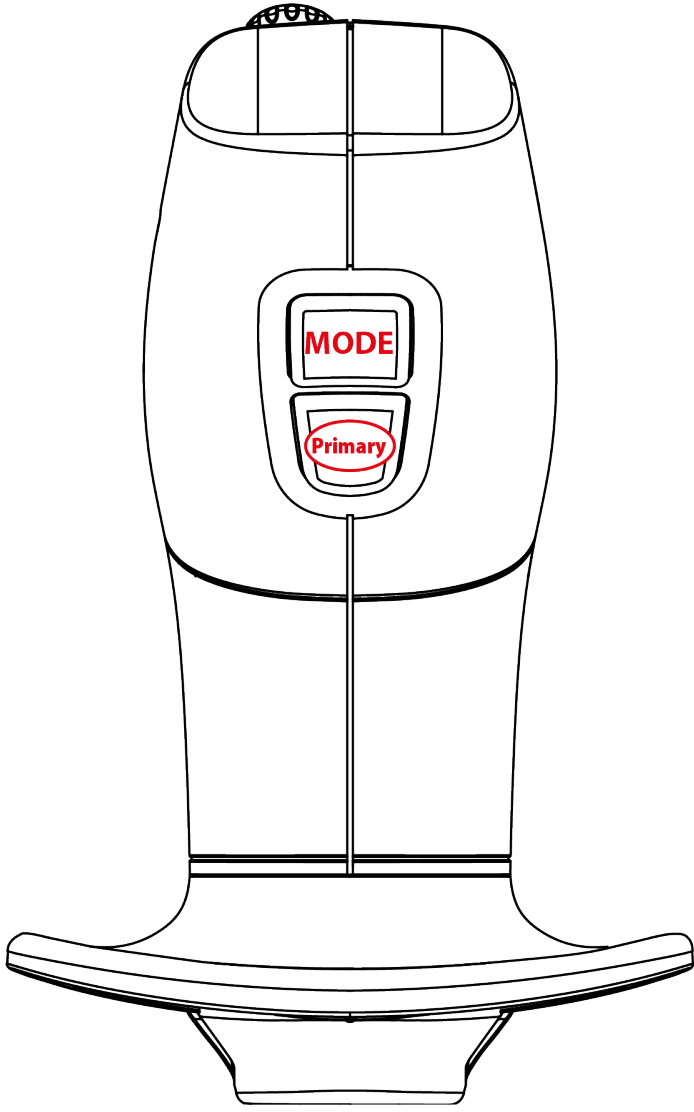


Drive mode



Work mode







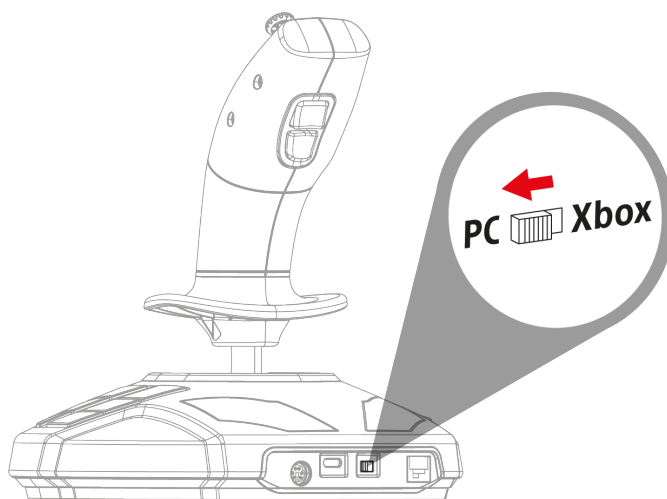
## 7. Installation on PC

1. Please visit:

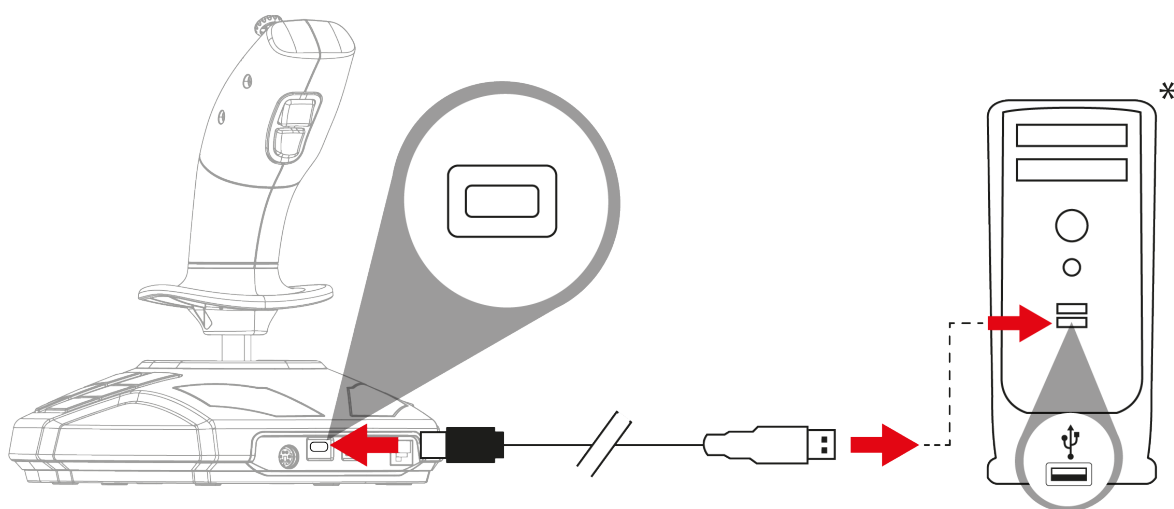
<https://support.thrustmaster.com/product/simtask-farmstick-x/>

2. Download and install the PC driver and its customized interface for the Windows control panel.

3. Once the PC driver has been installed, set the switch **19** on the back of the joystick to the PC position.



4. Plug the USB-C – USB-A cable into the joystick's USB-C port **18** and one of the PC's\* USB-A port.



*\*not provided*



5. Select **Start / Settings / Control Panel** and double-click **Game Controllers**. The **Game Controllers** dialog box will display the joystick's name with **OK** status.
6. In the **Control Panel** window, click **Properties** to test and view all features. You can also select the right-handed mode (default) or left-handed mode.

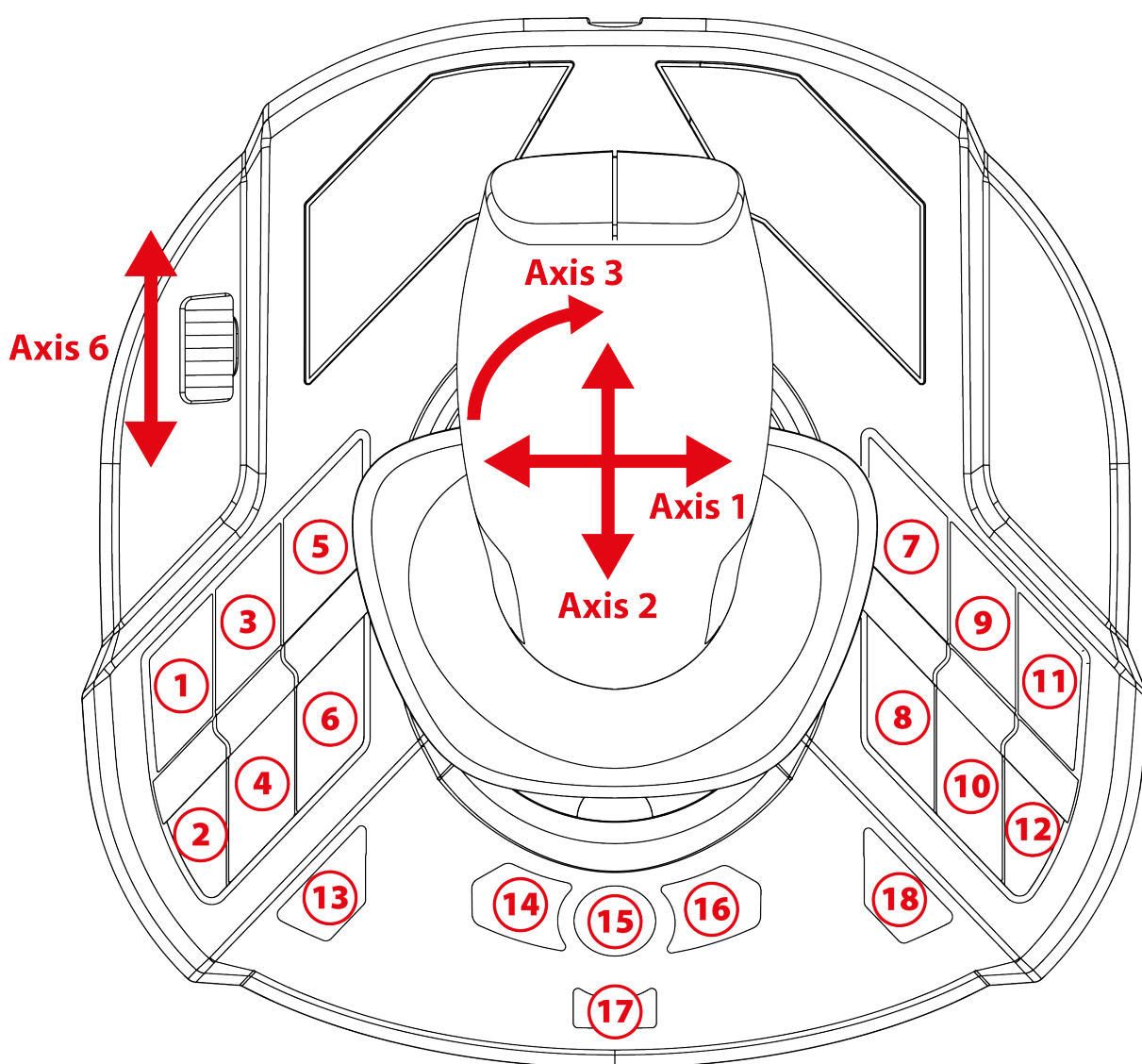
You are now ready to play!



When connecting your joystick, always keep the handle in its central position, do not move or rotate it, in order to avoid any calibration problems.

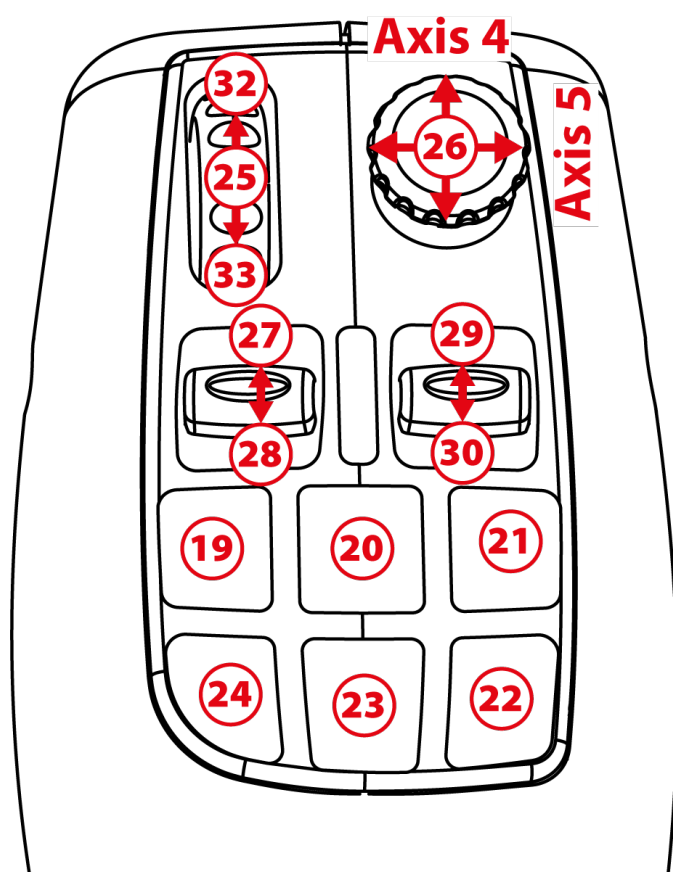


## 8. PC mapping

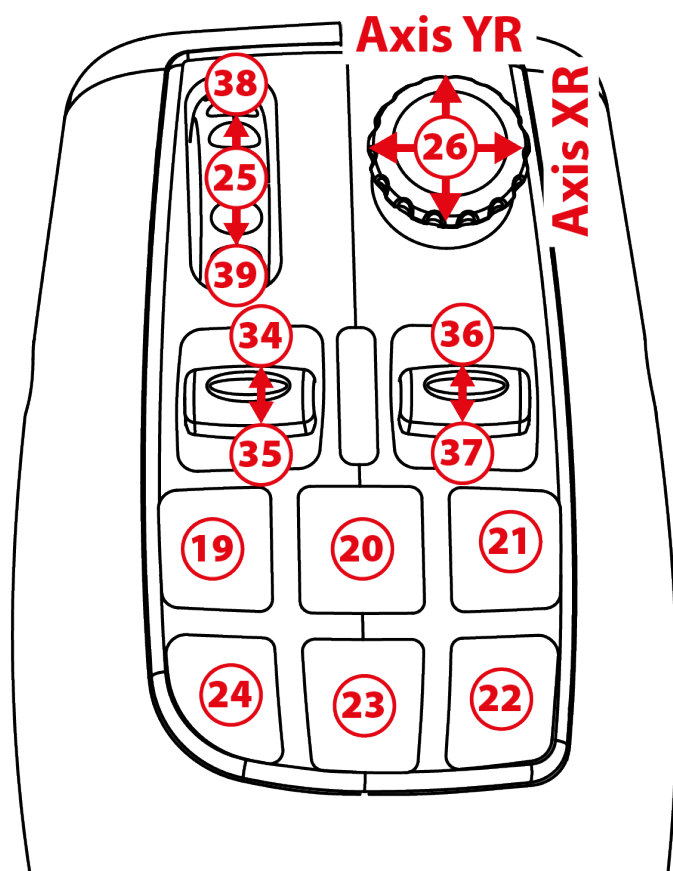


Mapping is identical in right-handed and left-handed modes.

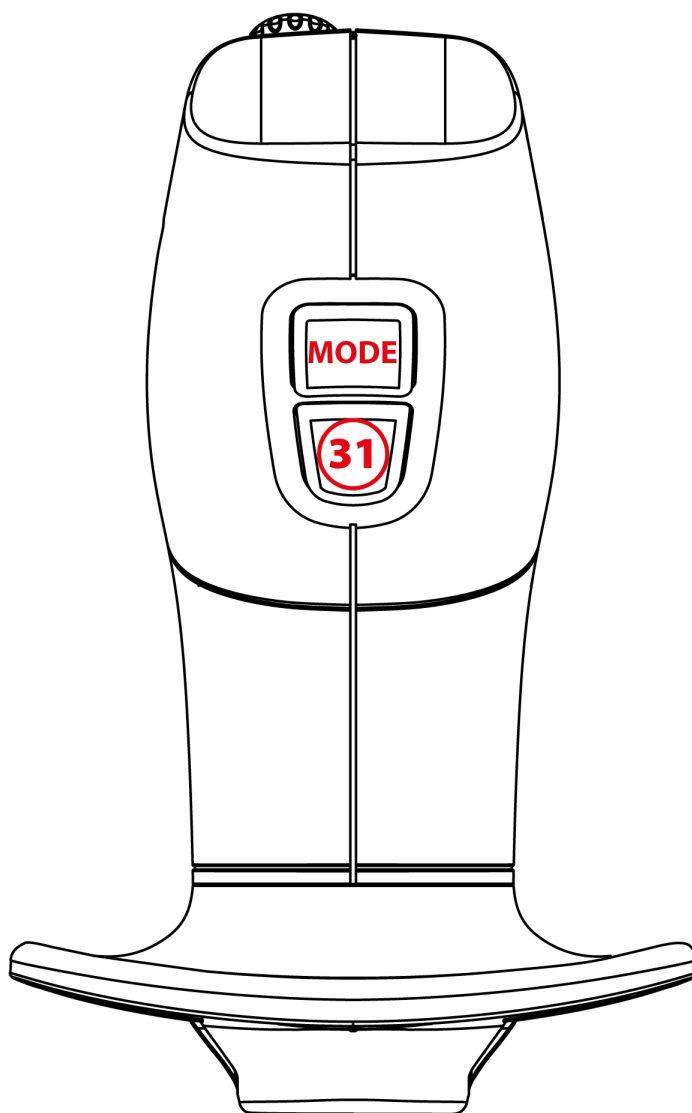
Right-handed (default) or left-handed mode can be selected by following [this](#) procedure or in the **Control Panel**. When using two joysticks simultaneously, this mode helps you differentiate them.



**Drive mode**



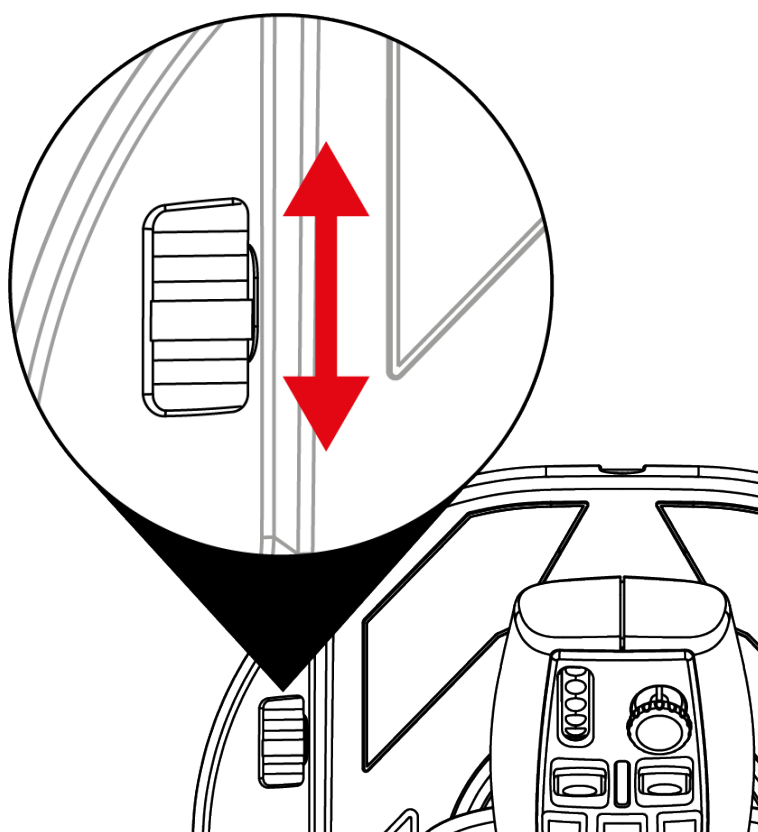
**Work mode**





## 9. Throttle

Your joystick features a throttle **8** that lets you easily control engine speed.

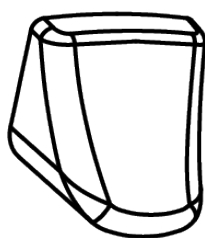




## 10. Interchangeable trigger

Your joystick features an interchangeable action trigger **16** providing different game ergonomics.

The trigger installed by default can be replaced by a trigger suitable for flight simulation (included with SimTask FarmStick).

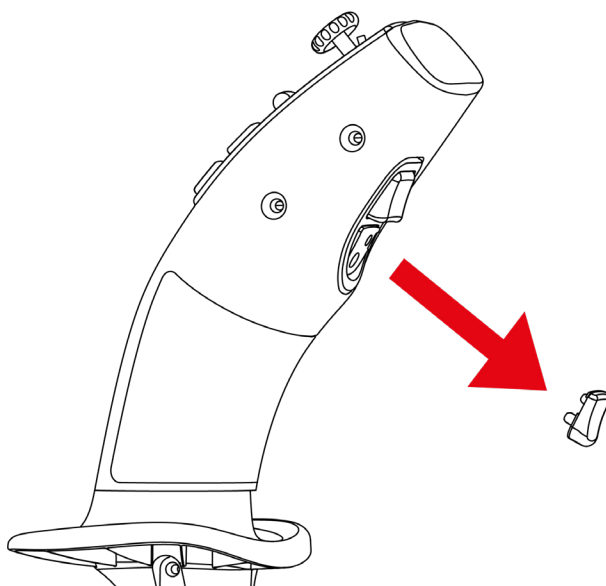




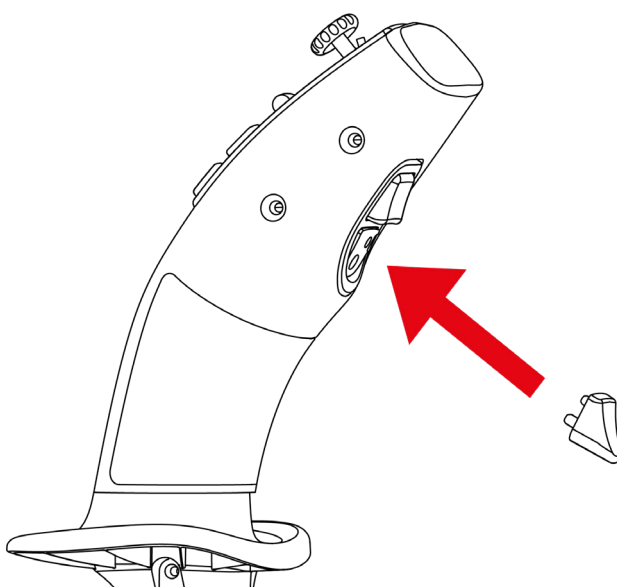


To change the trigger:

1. Place your fingers on either side of the trigger and pull it carefully.



2. Insert the new trigger in the proper mounting position.



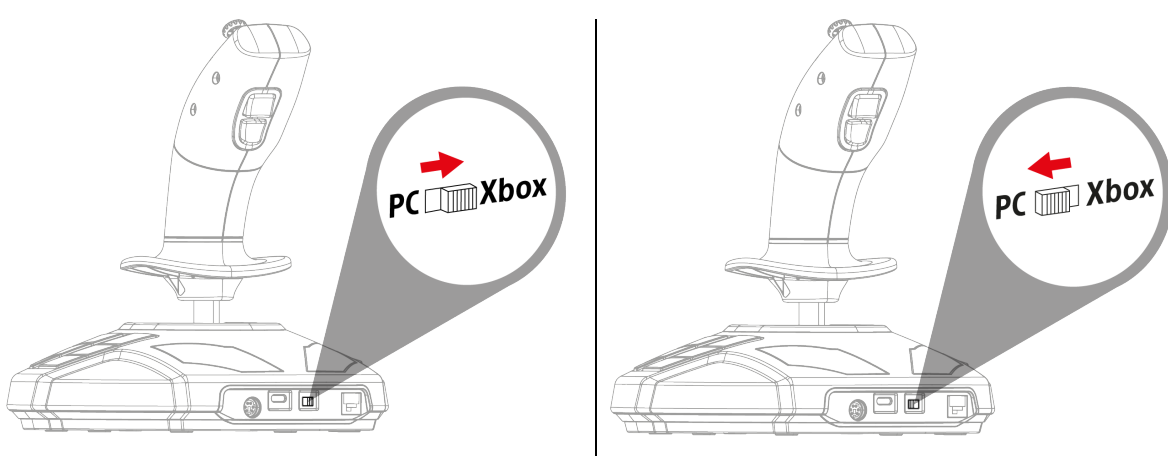
The centering pins must fit into their position in the stick.  
Do not force the trigger in, as this may damage the pins.



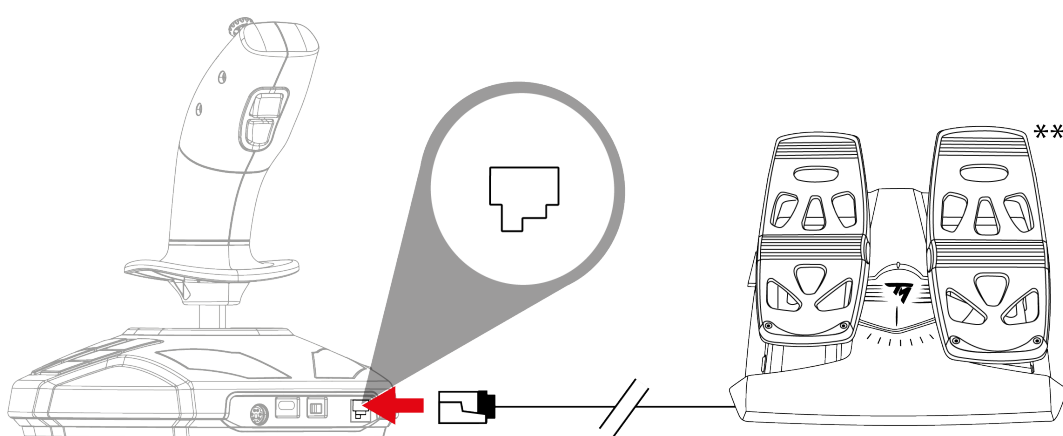
# 11. Installation on Xbox Series X|S\* or PC\* with TFRP rudder\*\*

The TFRP\*\* rudder plugs into the SimTask FarmStick.

1. Set the switch 19 on the back of the joystick to the Xbox or PC position.



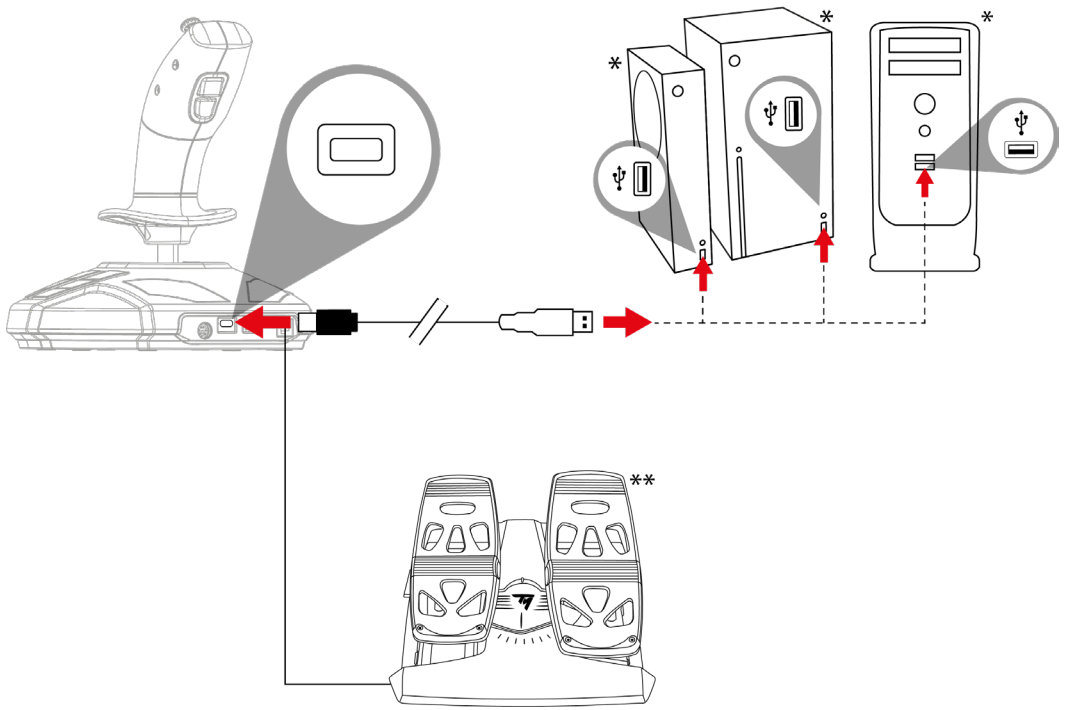
2. Plug the TFRP rudder's\*\* RJ12 cable into the RJ12 port 20 on the back of the joystick.



*\*not provided / \*\*sold separately*



3. Plug the USB-C – USB-A cable into the joystick's USB-C port **18** and the console's\* or PC's\* USB-A port.



- When connecting your joystick, always keep the handle in its central position, do not move or rotate it, in order to avoid any calibration problems.
- When connecting your rudder to the joystick: always keep the rudder's axis in its central position and do not place your feet on the rudder pedals in order to avoid any calibration problems.

*\*not provided / \*\*sold separately*



## 12.FAQ and technical support

### ***My joystick isn't functioning properly or seems to be improperly calibrated.***

- Power off your console or computer and disconnect your joystick; then turn your console or computer back on, reconnect your joystick and restart your game.
- When connecting your joystick: always keep the handle in its central position, do not move or rotate it, in order to avoid any calibration problems.
- When connecting your rudder to the joystick: always keep the rudder's axis in its central position and do not place your feet on the rudder pedals in order to avoid any calibration problems.



## *I can't configure my joystick.*

- In your game's **Options / Controller / Gamepad** or **Joystick** menu: select the appropriate configuration, or completely reconfigure the controller options.
- Please refer to your game's user manual or online help for more information.



## *My joystick is too sensitive or not sensitive enough.*

- Your joystick self-calibrates independently once you have made some movements along the different axes.
- In your game's **Options / Controller / Gamepad** or **Joystick** menu: adjust the sensitivity and dead zones for your joystick (if these options are available).

Do you have questions regarding SimTask FarmStick or are you experiencing technical problems? If so, visit the Thrustmaster technical support site:

<https://support.thrustmaster.com/product/simtask-farmstick-x/>



# **THRUSTMASTER®**



# **SIMTASK FARMSTICK**

**XBOX SERIES X|S – PC**

## **Manuel de l'utilisateur**



**Lisez attentivement** les instructions fournies dans ce manuel **avant** d'installer le produit, **avant** toute utilisation et **avant** tout entretien. Conformez-vous aux consignes de sécurité. Le non-respect de ces instructions peut causer des accidents et/ou des dommages. Conservez ce manuel pour toute consultation ultérieure des instructions.

# TABLE DES MATIÈRES

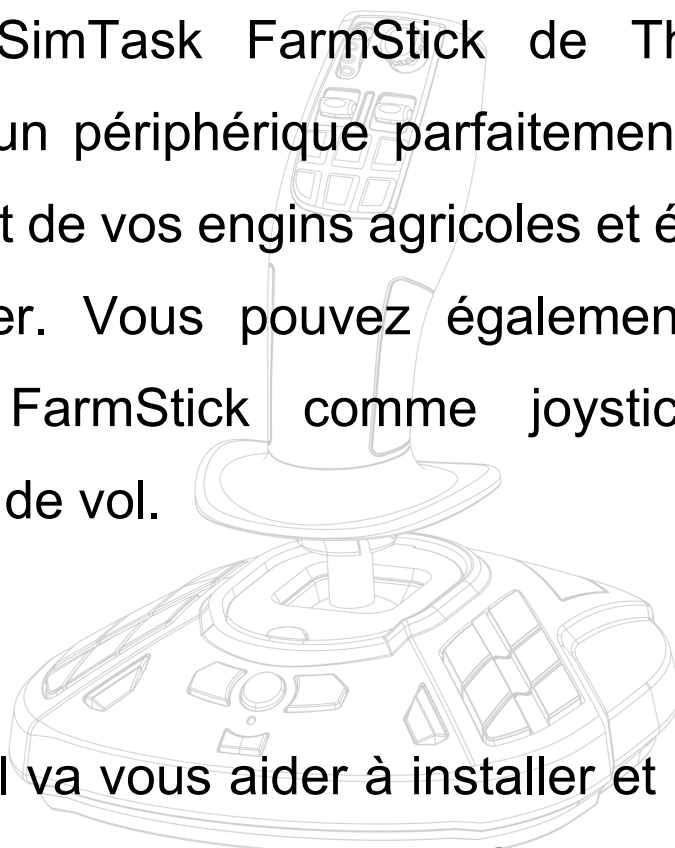
1. CONTENU DE LA BOITE.....	5
2. CARACTERISTIQUES .....	6
3. INFORMATIONS LIEES A L'UTILISATION..	9
4. À LA DECOUVERTE DE VOTRE JOYSTICK .....	12
<i>Points-clés .....</i>	<i>12</i>
<i>Technologie H.E.A.R.T. (HallEffect AccuRate Technology) .....</i>	<i>13</i>
<i>Mode Conduite &lt;&gt; mode Travail.....</i>	<i>14</i>
<i>Rotation du manche.....</i>	<i>17</i>
<i>Mini-stick point de vue.....</i>	<i>18</i>
<i>Connectivité du SimTask FarmStick sur Xbox Series X S* et PC* .....</i>	<i>19</i>
<i>Configuration du manche en mode droitier ou gaucher.....</i>	<i>21</i>



<b>5.</b>	<b>INSTALLATION SUR XBOX SERIES X S ..</b>	<b>24</b>
<b>6.</b>	<b>MAPPING XBOX .....</b>	<b>26</b>
<b>7.</b>	<b>INSTALLATION SUR PC .....</b>	<b>29</b>
<b>8.</b>	<b>MAPPING PC.....</b>	<b>31</b>
<b>9.</b>	<b>MANETTE DES GAZ .....</b>	<b>34</b>
<b>10.</b>	<b>GACHETTE INTERCHANGEABLE .....</b>	<b>35</b>
<b>11.</b>	<b>INSTALLATION SUR XBOX SERIES X S* OU PC* AVEC LE PALONNIER TFRP** .....</b>	<b>37</b>
<b>12.</b>	<b>FAQ ET SUPPORT TECHNIQUE.....</b>	<b>39</b>



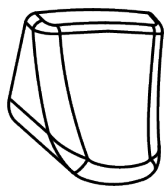
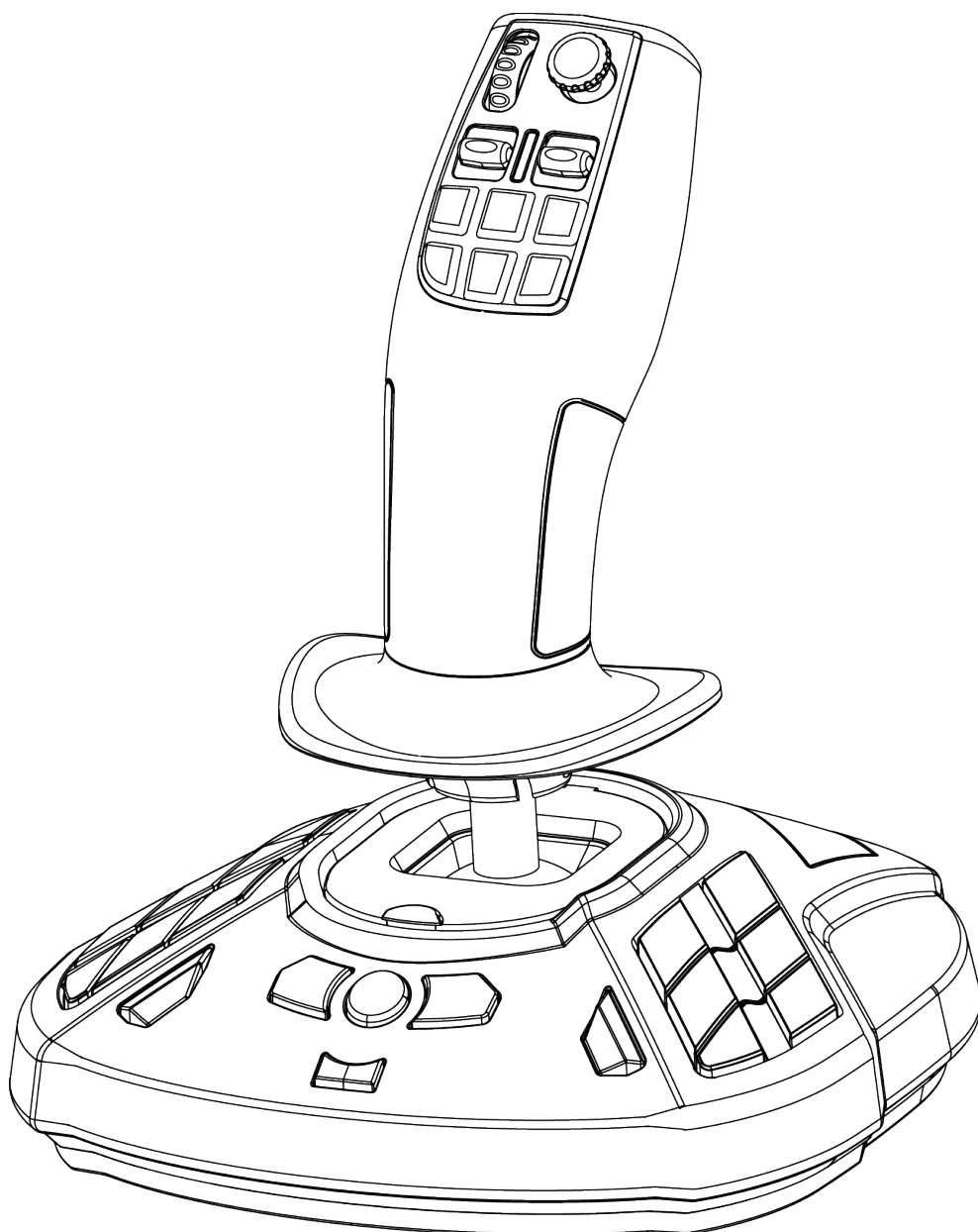
Avec le SimTask FarmStick de Thrustmaster, profitez d'un périphérique parfaitement adapté au maniement de vos engins agricoles et équipements de chantier. Vous pouvez également utiliser le SimTask FarmStick comme joystick pour la simulation de vol.



Ce manuel va vous aider à installer et utiliser dans les meilleures conditions votre SimTask FarmStick. Lisez attentivement les instructions et les avertissements, ils vous aideront à tirer le maximum de plaisir de votre produit.

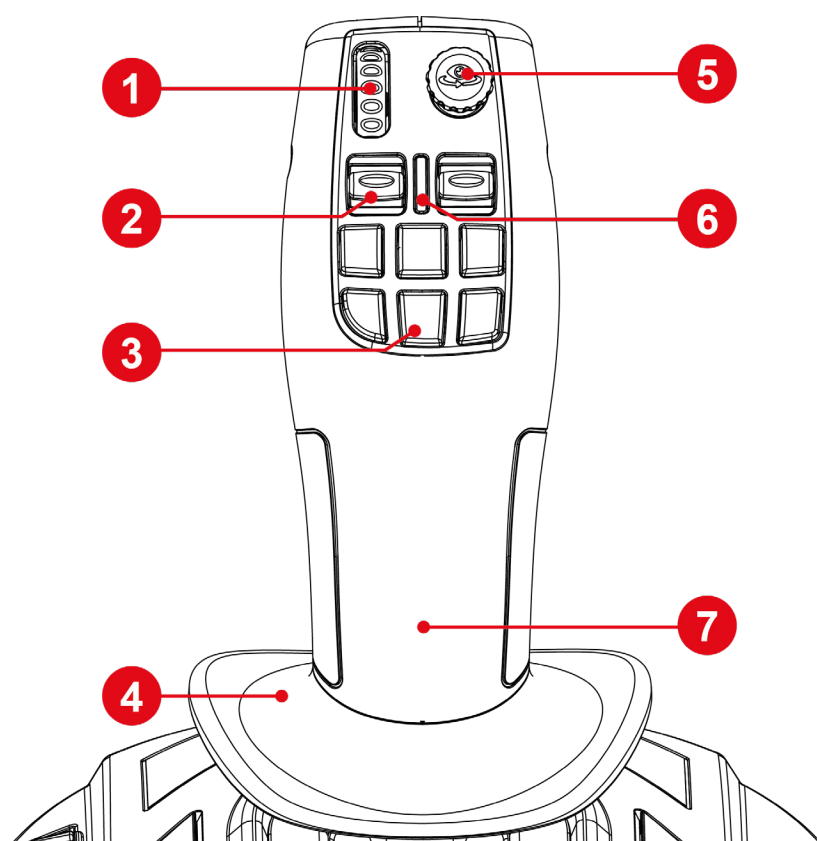


# 1. Contenu de la boîte

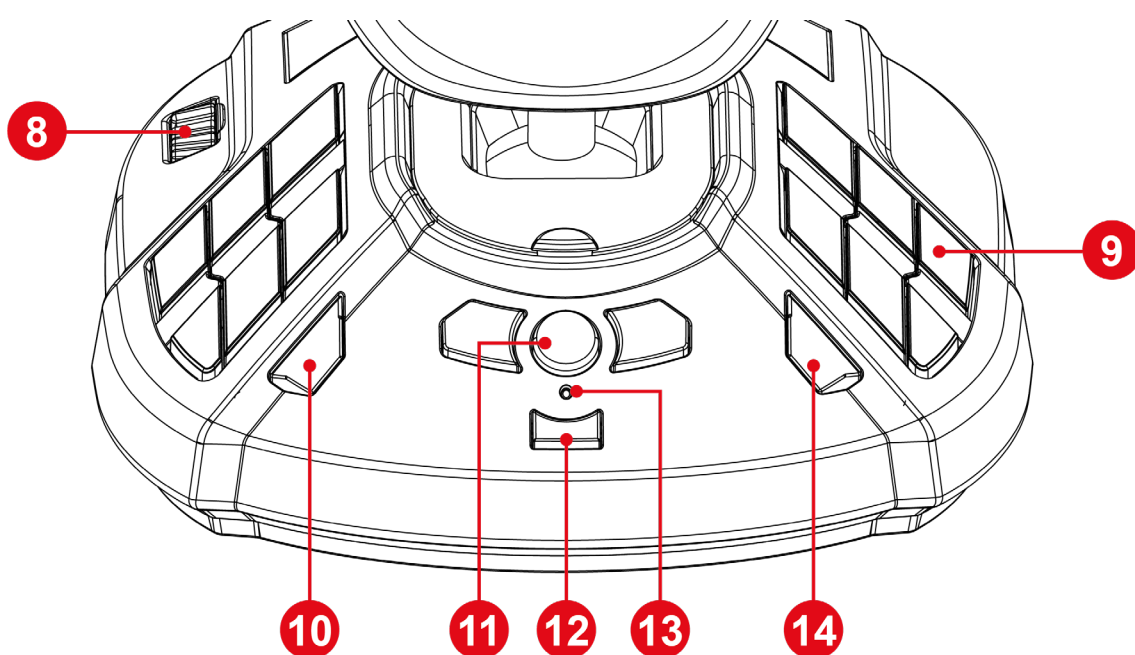




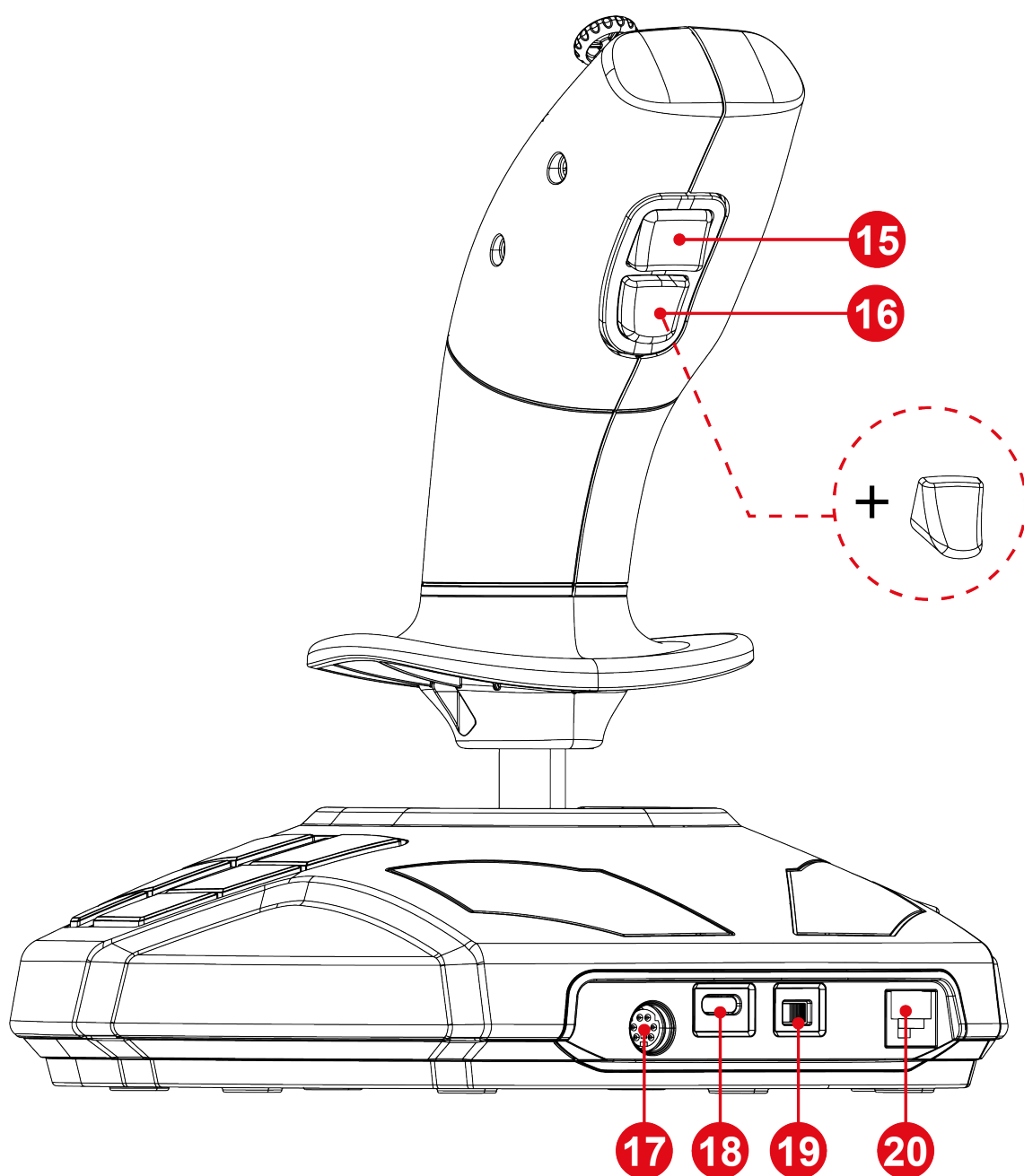
## 2. Caractéristiques



1. Molette
2. Bouton à bascule
3. Boutons d'action rapide
4. Repose-main
5. Mini-stick point de vue
6. LED d'indication du mode du manche
7. Manche ambidextre



- 8. Manette des gaz
- 9. Boutons d'action programmables
- 10. Bouton View (Affichage)
- 11. Bouton Xbox
- 12. Bouton Share (Partager)
- 13. Voyant lumineux
- 14. Bouton Menu



- 15. Bouton de changement du mode du manche
- 16. Gâchette d'action interchangeable
- 17. Port DIN pour accessoires complémentaires\*
- 18. Port USB-C
- 19. Sélecteur Xbox / PC
- 20. Port RJ12 pour palonnier TFRP\*

*\*vendu(s) séparément*



### 3. Informations liées à l'utilisation



#### **Documentation**

Avant d'utiliser ce produit, relisez attentivement cette documentation et conservez-la pour pouvoir la consulter ultérieurement.



### **Choc électrique**

- Conservez le produit dans un endroit sec et ne l'exposez ni à la poussière ni au soleil.
- Respectez les sens de branchement.
- Ne tordez pas et ne tirez pas sur les connecteurs et câbles.
- Ne renversez pas de liquide sur le produit et ses connecteurs.
- Ne mettez pas le produit en court-circuit.
- Ne démontez jamais le produit, ne le jetez pas au feu et ne l'exposez pas à des températures élevées.
- N'ouvrez pas l'appareil. L'appareil ne contient pas de pièces réparables par l'utilisateur. Confiez toute réparation au fabricant, à une agence spécifiée ou un technicien qualifié.





### **Sécurisation de la zone de jeu**

- Ne posez pas d'objet pouvant perturber la pratique de l'utilisateur, provoquer un mouvement inapproprié ou une interruption par une autre personne (tasse à café, téléphone, clés, par exemple).
- Ne couvrez pas les câbles d'alimentation par un tapis, couverture ou autre et ne placez pas de câble dans un lieu de passage.



## 4. À la découverte de votre joystick

### *Points-clés*

- 33 boutons et 6 boutons virtuels, dont une molette et deux boutons à bascule
- 6 axes, dont un mini-stick, la rotation du manche et une manette des gaz
- LED d'indication du mode du manche
- Technologie H.E.A.R.T. (HallEffect AccuRate Technology)
- Branchement sur port USB-A
- Manette des gaz
- Port RJ12 pour palonnier TFRP\*

*\*vendu séparément*



## ***Technologie H.E.A.R.T. (HallEffect AccuRate Technology)***

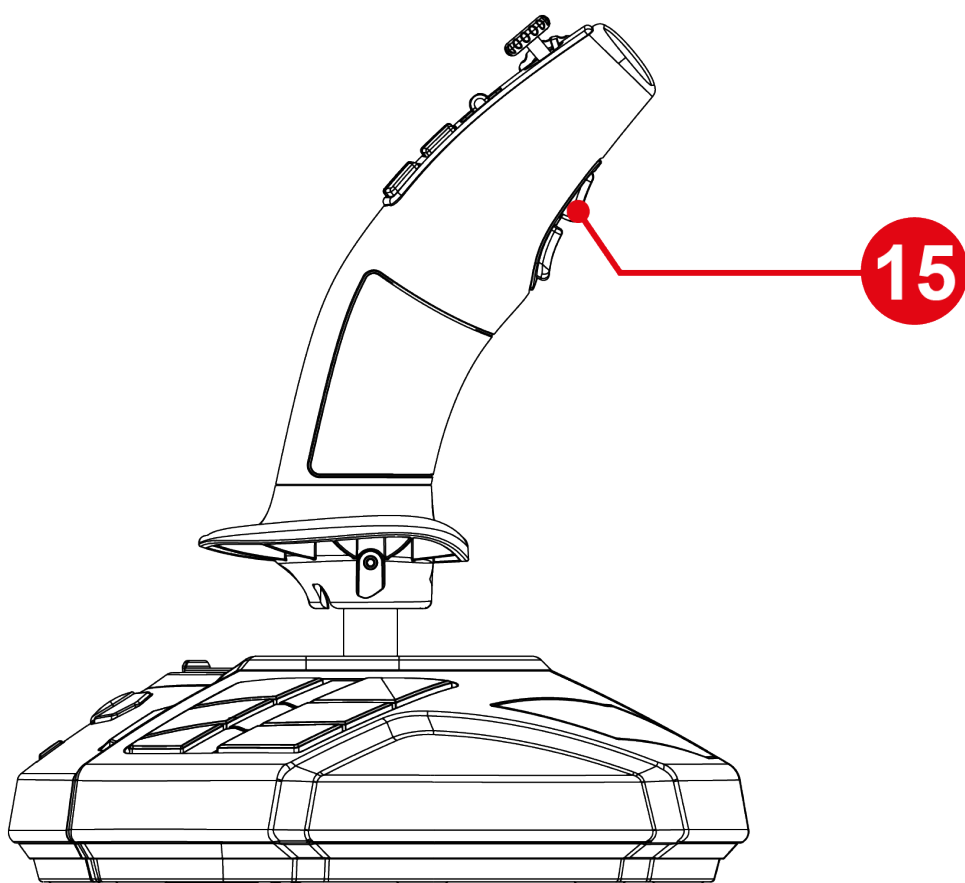
Votre joystick SimTask FarmStick a la particularité de disposer d'une technologie de précision exclusive qui lui permet une précision inégalée à ce jour dans l'univers des joysticks de jeu avec :

- des capteurs magnétiques 3D (à effet Hall) sur le manche d'une résolution de plus de 268 millions de valeurs sur l'ensemble des axes X et Y (soit 16384 x 16384) ;
- un aimant, pour éviter toute friction et garantir une précision illimitée dans le temps ;
- un ressort de manche hélicoïdal de 2,8 mm, pour une tension ferme, linéaire et ultra fluide.



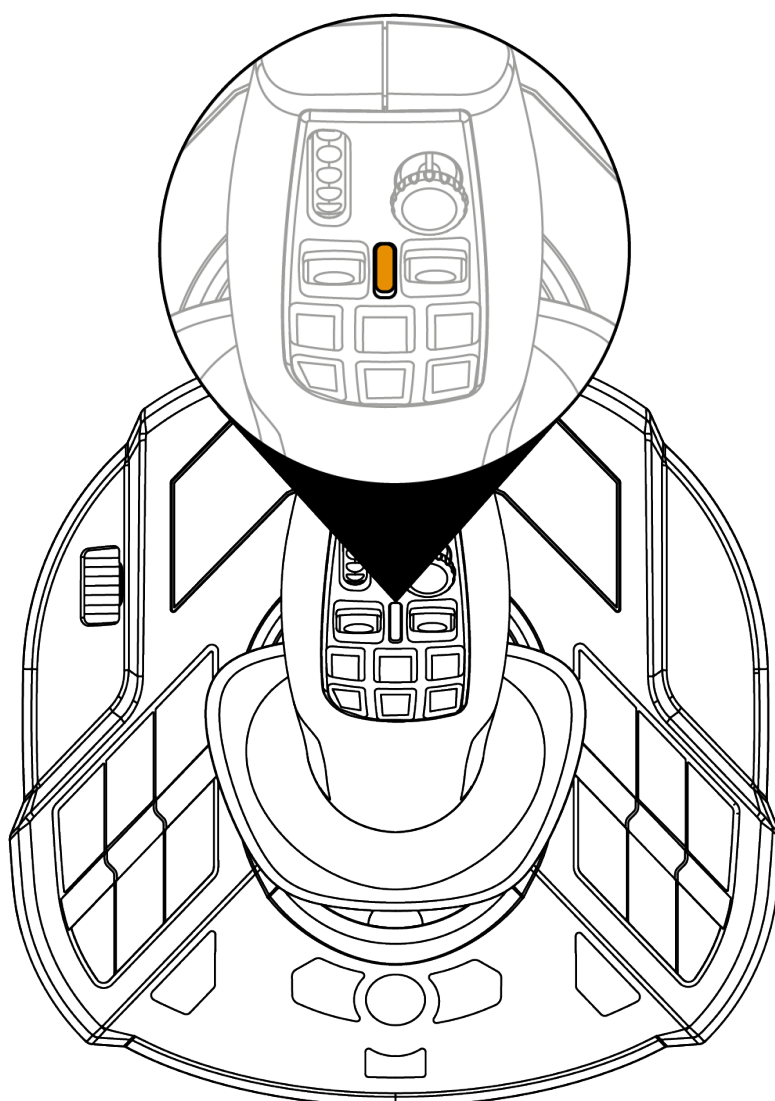
## *Mode Conduite <=> mode Travail*

Le bouton ⑮ permet de passer du mode **Conduite** au mode **Travail** et vice-versa.



Cette fonctionnalité étend les possibilités d'actions réalisables avec le pouce, c'est-à-dire via la molette ① et les deux boutons à bascule ②.

Le changement de mode modifie l'action associée à la molette ① et aux deux boutons à bascule ②.



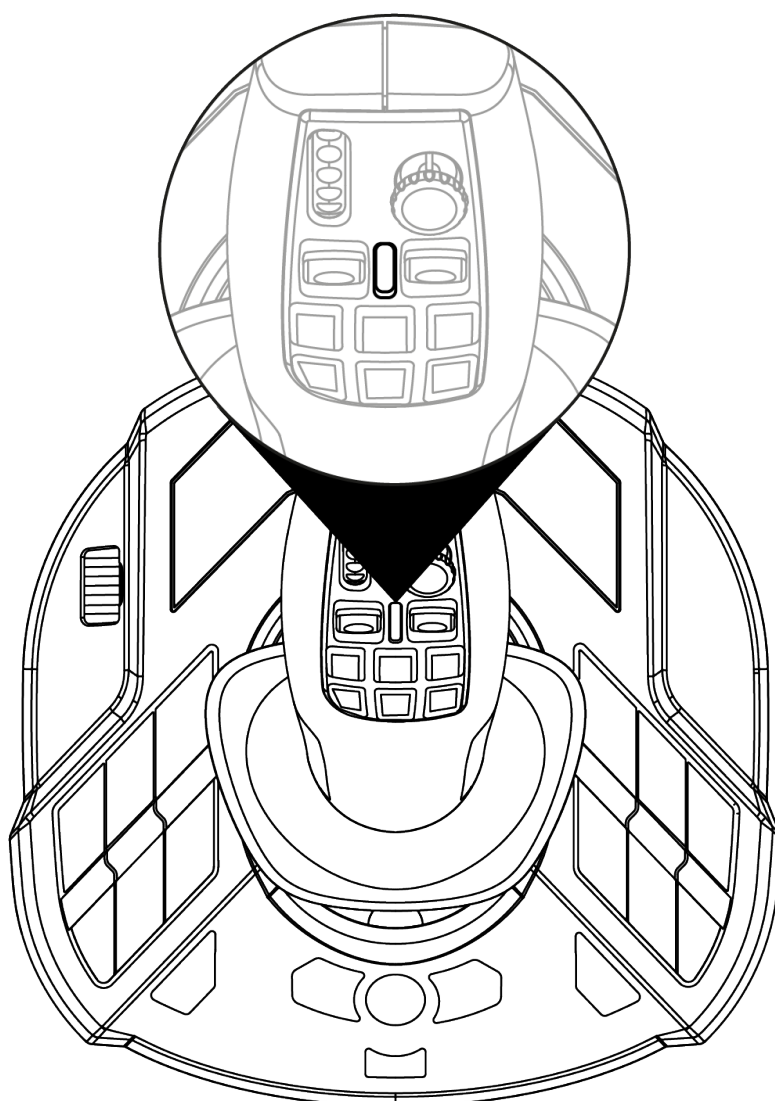
### Mode Conduite (par défaut)

Dans le mode **Conduite**, la LED d'indication du mode du manche ⑥ s'allume en orange.



Dans le mode **Conduite**, l'action associée à la molette ① et aux boutons à bascule ② peut être la suivante :

- Molette : contrôle de la consigne de régulateur.
- Boutons à bascule : gestion de la boîte de vitesses.



## Mode Travail

Dans le mode **Travail**, la LED d'indication du mode du manche **6** s'allume en blanc.



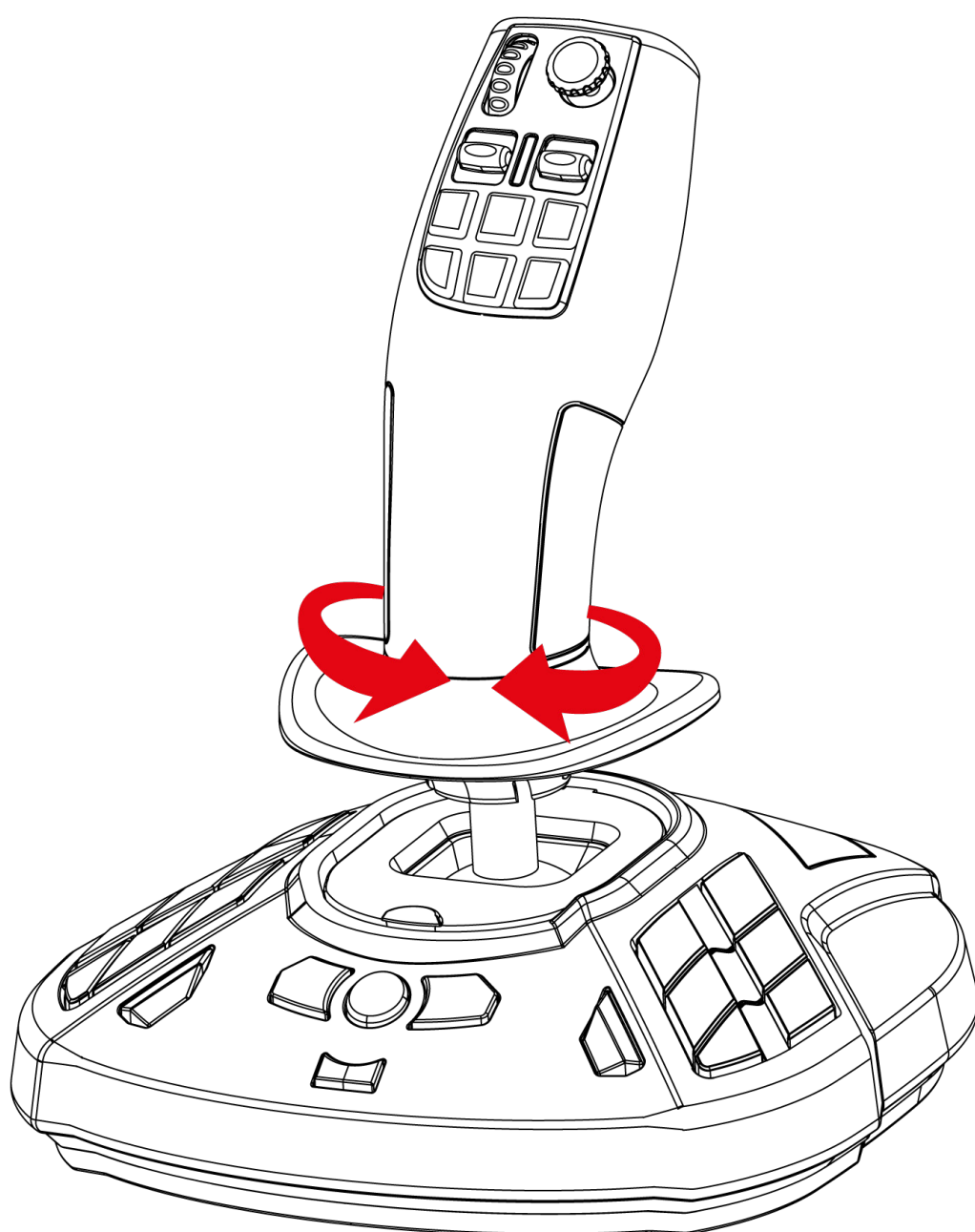
Dans le mode **Travail**, l'action associée à la molette **1** et aux boutons à bascule **2** peut être la suivante :

- Molette : contrôle du zoom de la caméra.
- Boutons à bascule : gestion des bras de grues ou des chargeurs.



## *Rotation du manche*

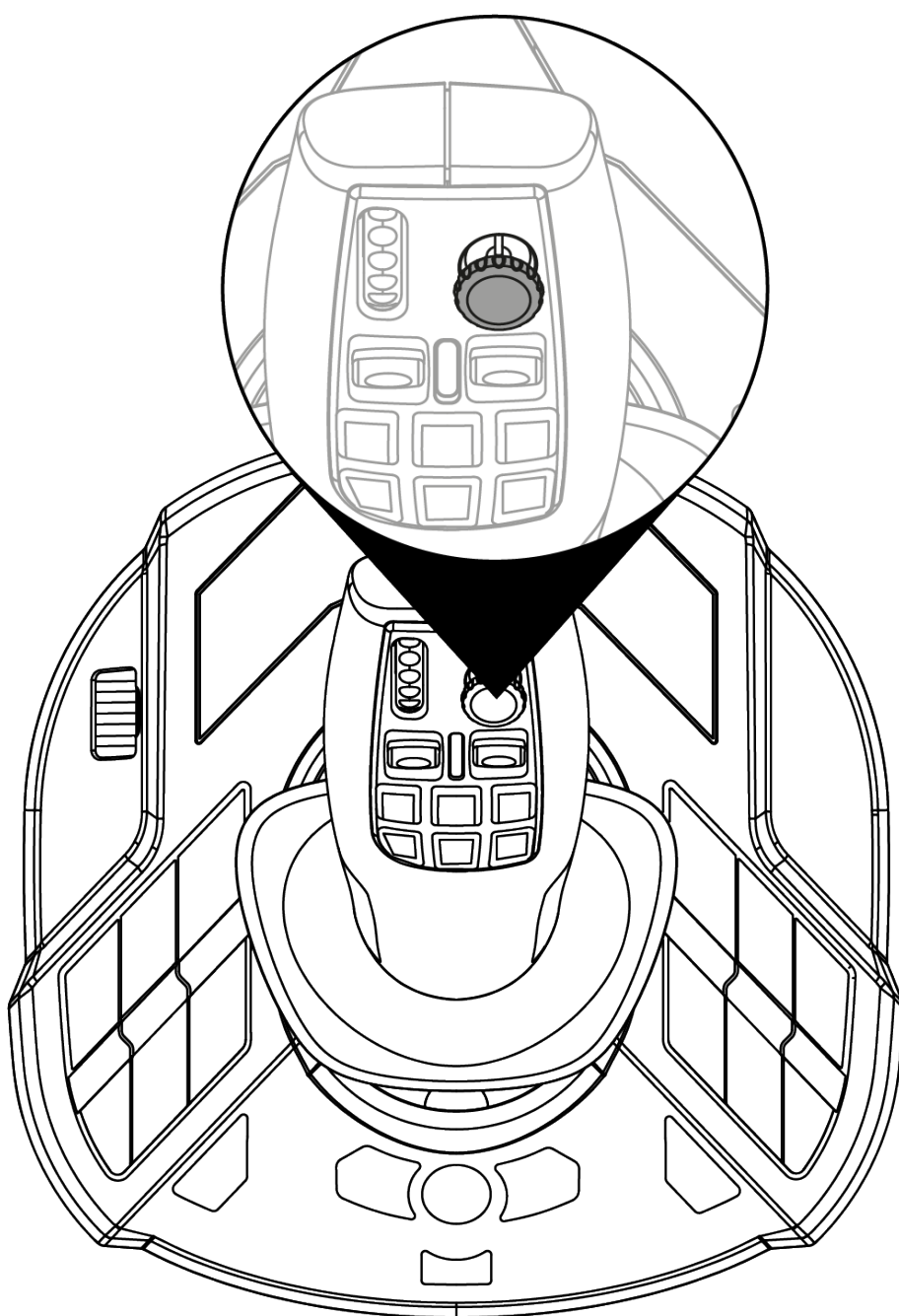
Le SimTask FarmStick possède une fonction de rotation du manche sur son axe horizontal. Cette fonction est utile pour manœuvrer une tête de grue ou une pelle excavatrice, par exemple.





## *Mini-stick point de vue*

Le SimTask FarmStick est doté d'un mini-stick point de vue ⑤ qui permet de prendre la place du conducteur d'engin et d'observer ce qui est dans son champ de vision.







## **Connectivité du SimTask FarmStick sur Xbox Series X|S\* et PC\***

Le SimTask FarmStick possède six axes, mais offre la possibilité de connecter directement un palonnier TFRP\*\* à l'arrière du joystick. Cela permet de profiter de deux axes supplémentaires ainsi que de commander la fonction de palonnier avec le TFRP.

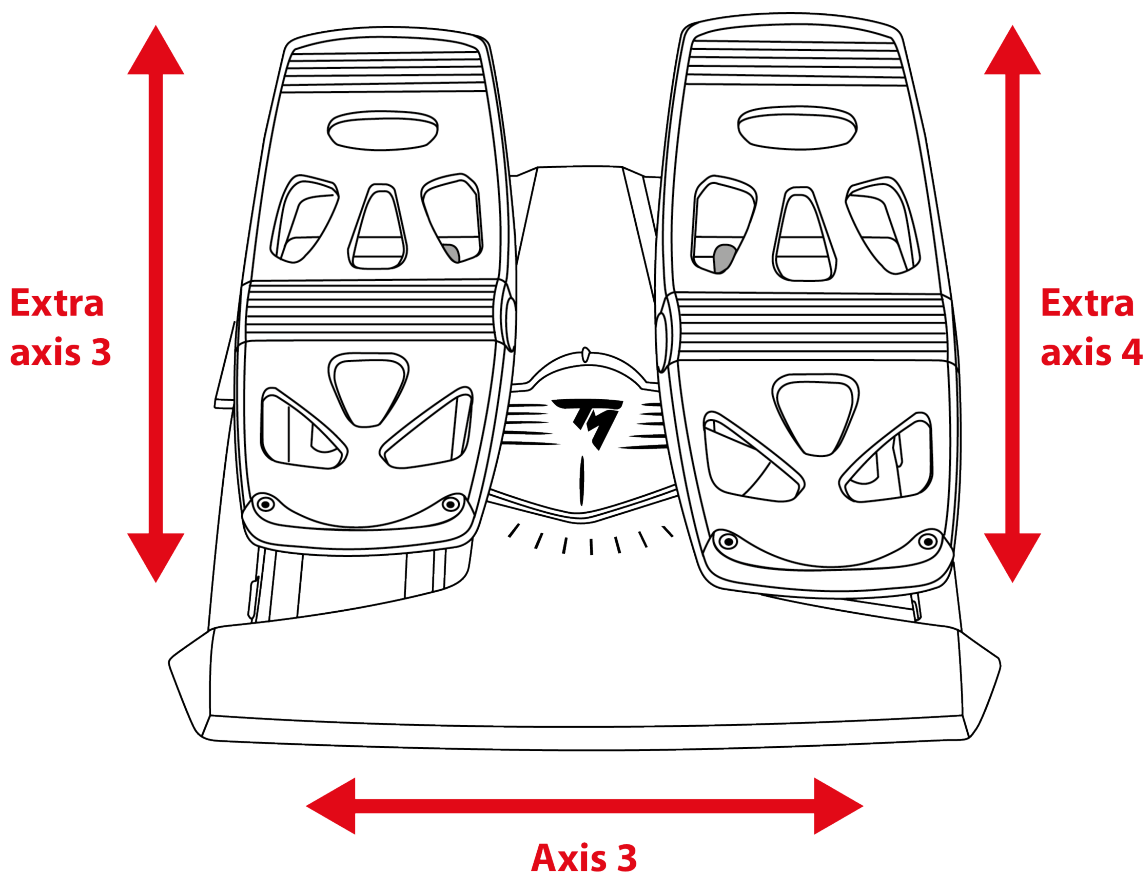


Le seul périphérique pris en charge sur Xbox Series X|S et PC est le palonnier TFRP.

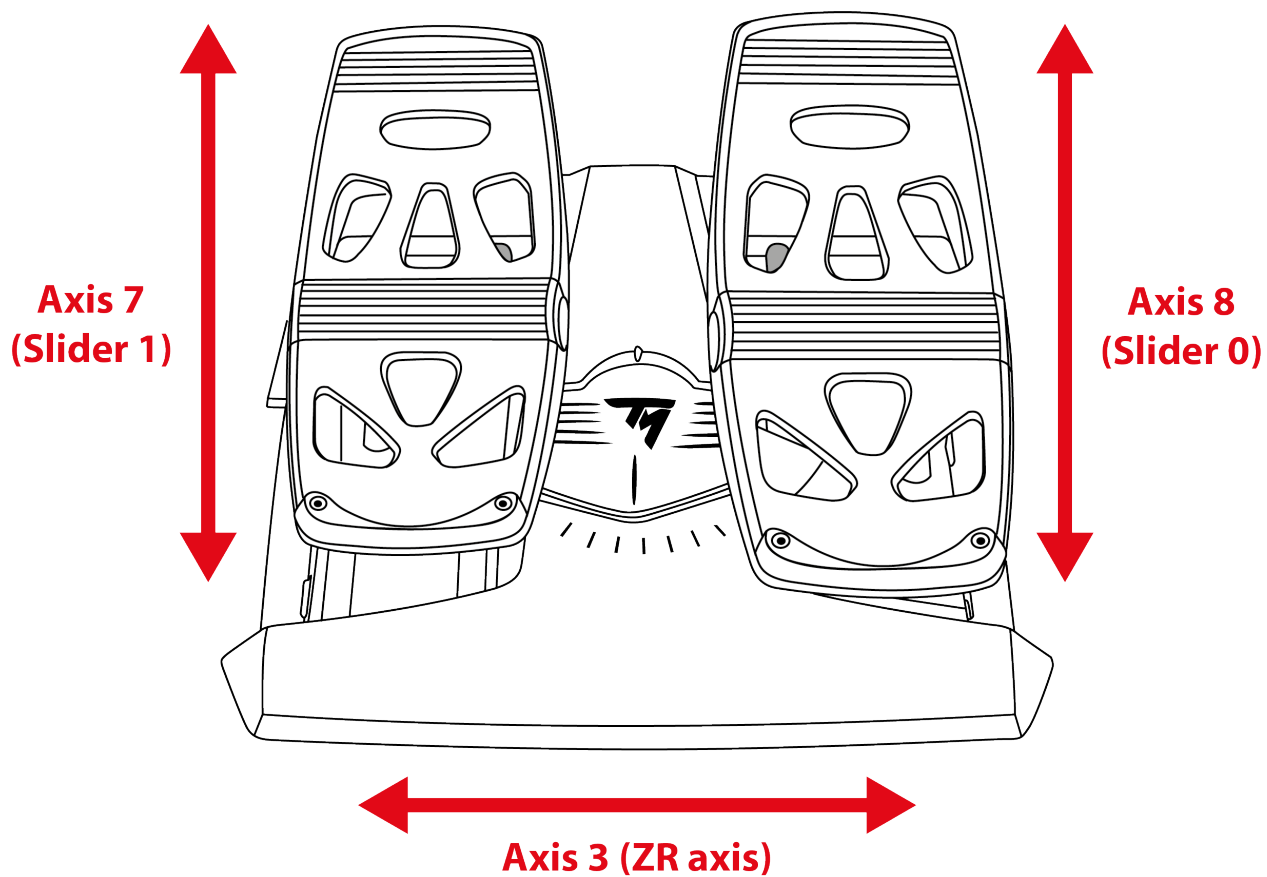
*\* non fourni / \*\* vendu séparément*



Mapping Xbox :



Mapping PC :





## ***Configuration du manche en mode droitier ou gaucher***

Votre joystick SimTask FarmStick est ambidextre afin de s'adapter parfaitement à tous les joueurs, qu'ils soient droitiers ou gauchers.

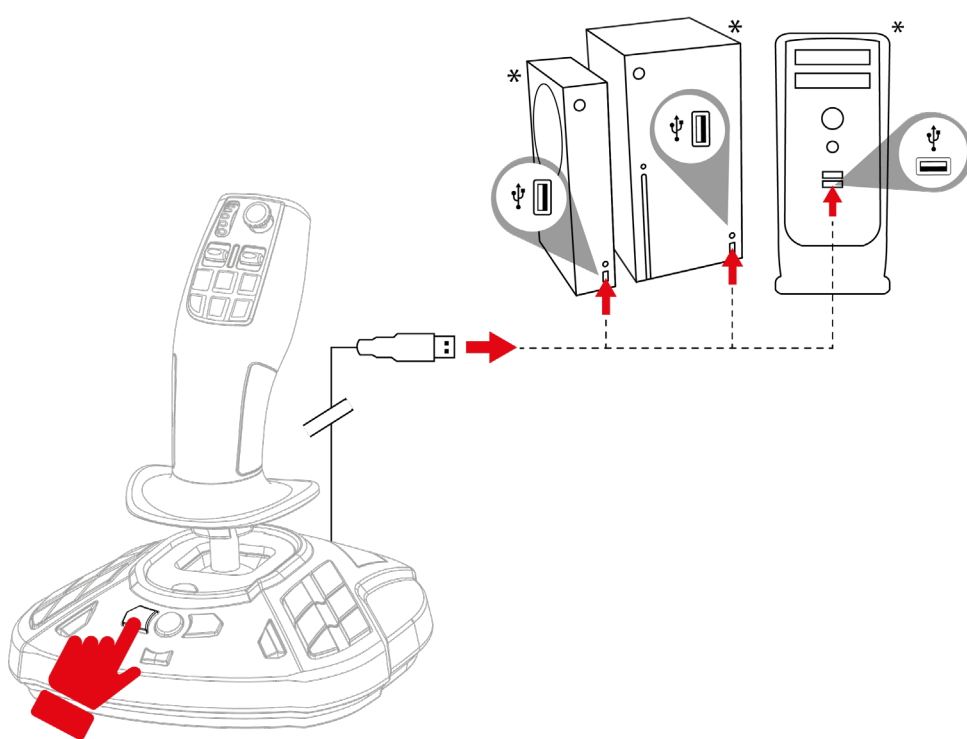
Par défaut, le joystick est configuré en mode droitier.



Pour définir le joystick en mode GAUCHER :

1. Appuyez sur le bouton 14 (sur PC) ou Prev (sur Xbox Series X|S) et maintenez-le pressé lorsque vous connectez votre SimTask FarmStick à votre Xbox Series X|S ou votre PC.

La LED d'indication du mode du manche ⑥ clignote en blanc pendant cinq secondes.



2. Relâchez le bouton 14 (sur PC) ou Prev (sur Xbox Series X|S).



Le mode GAUCHER est automatiquement sauvegardé dans la mémoire interne du SimTask FarmStick.

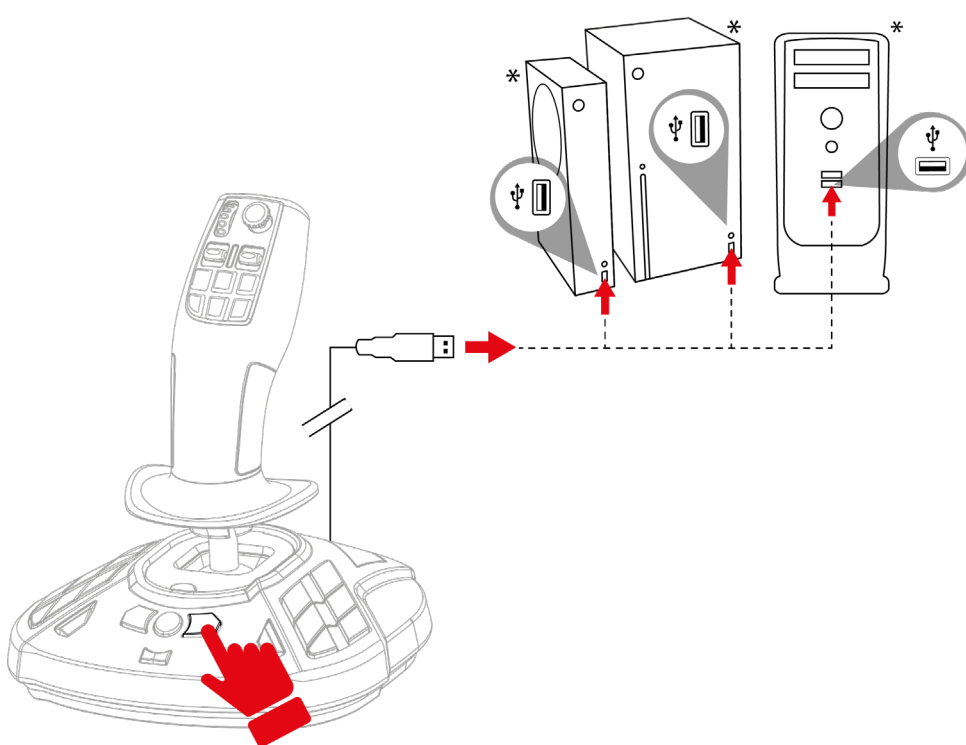
*\*non fourni*



Pour redéfinir le joystick en mode DROITIER :

1. Appuyez sur le bouton 16 (sur PC) ou Next (sur Xbox Series X|S) et maintenez-le pressé lorsque vous connectez votre SimTask FarmStick à votre Xbox Series X|S ou votre PC.

La LED d'indication du mode du manche ⑥ clignote en orange pendant cinq secondes.



2. Relâchez le bouton 16 (sur PC) ou Next (sur Xbox Series X|S).



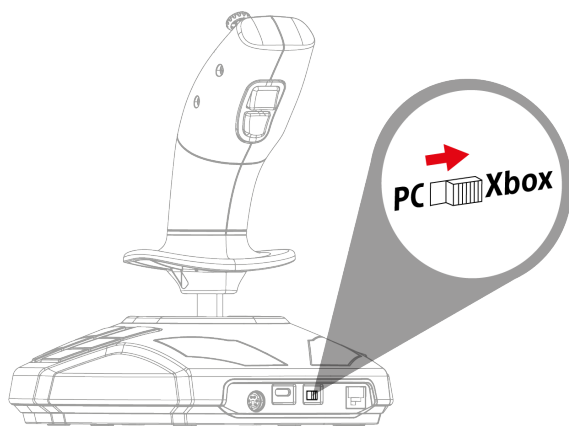
Le mode DROITIER est automatiquement sauvegardé dans la mémoire interne du SimTask FarmStick.

*\*non fourni*

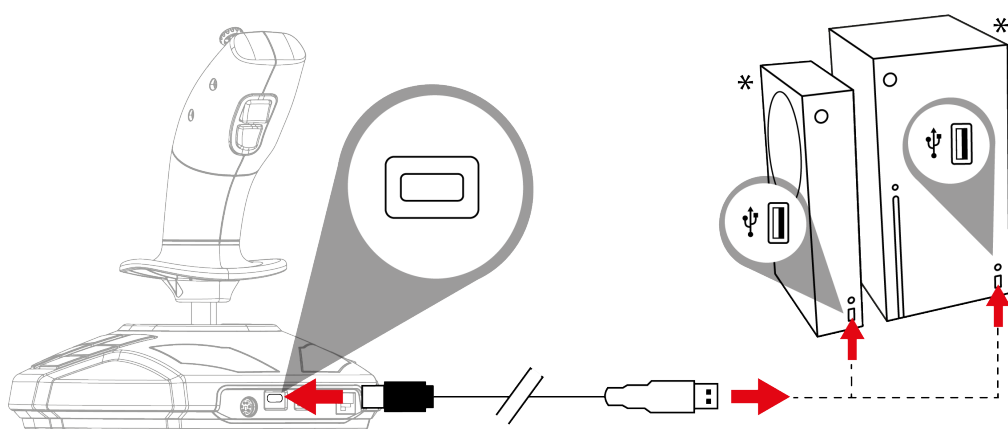


## 5. Installation sur Xbox Series X|S

1. Positionnez le sélecteur **19** situé à l'arrière du joystick sur la position Xbox.



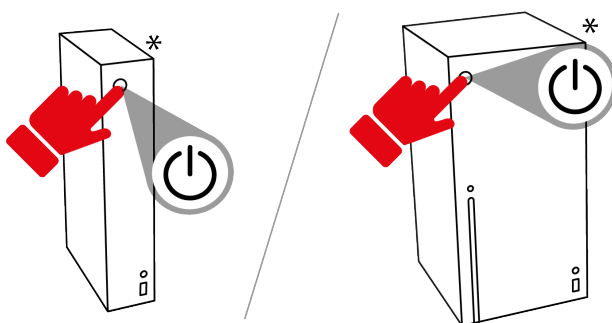
2. Branchez le câble USB-C – USB-A sur le port USB-C **18** du joystick et sur un port USB-A de la console\*.



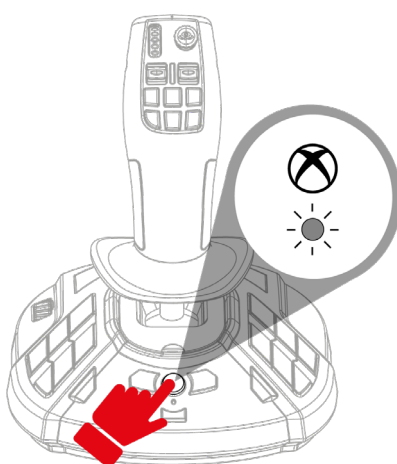
*\*non fourni*



3. Allumez votre console.



4. Appuyez sur le bouton Xbox. Le voyant lumineux du joystick s'allume en blanc.



5. Lancez un jeu compatible.

Vous êtes maintenant prêt à jouer !

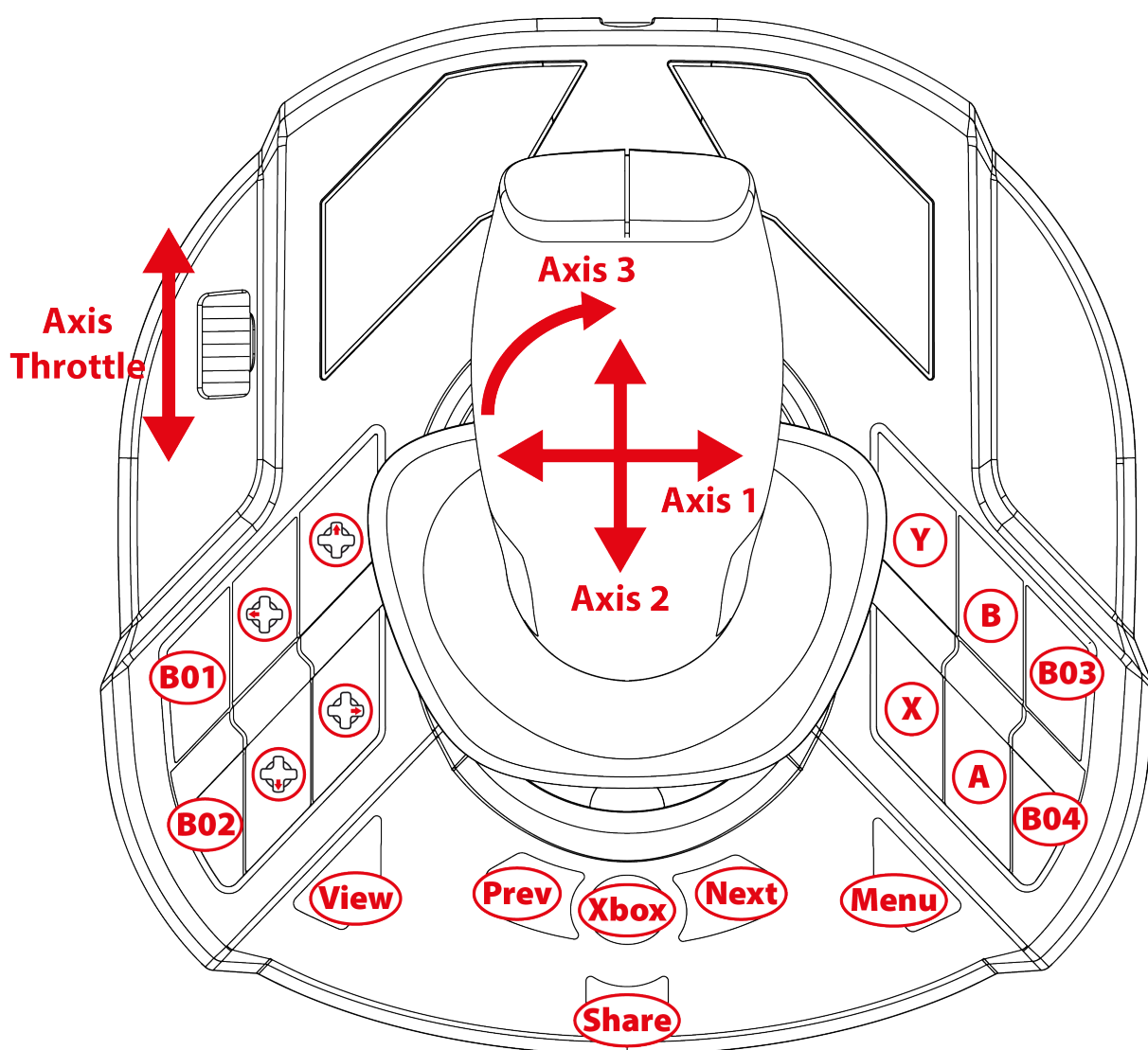


Lorsque vous branchez votre joystick, laissez toujours le manche centré, sans le déplacer ou le tourner, n'actionnez pas le mini-stick, afin d'éviter tout problème de calibration.

*\*non fourni*

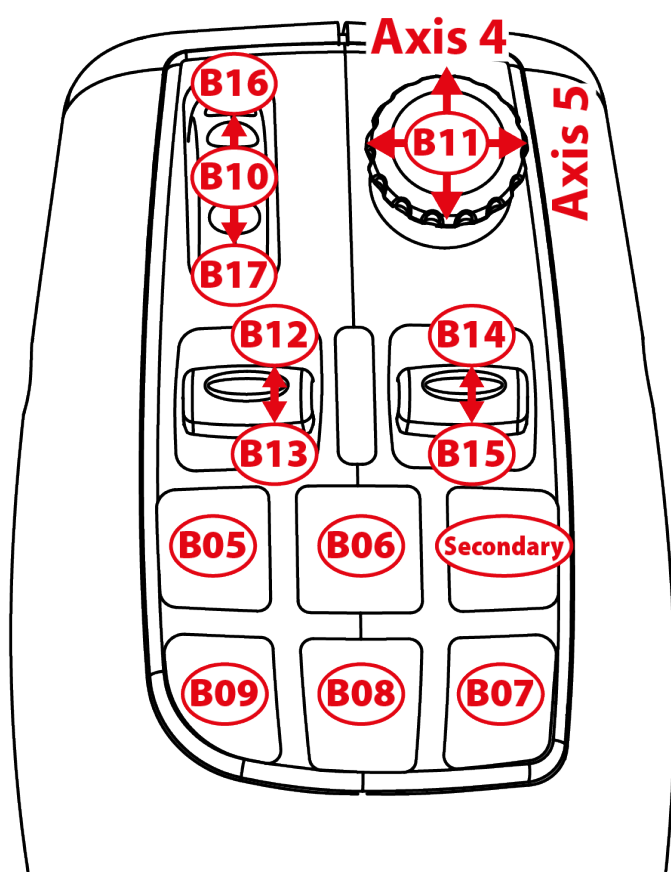


## 6. Mapping Xbox

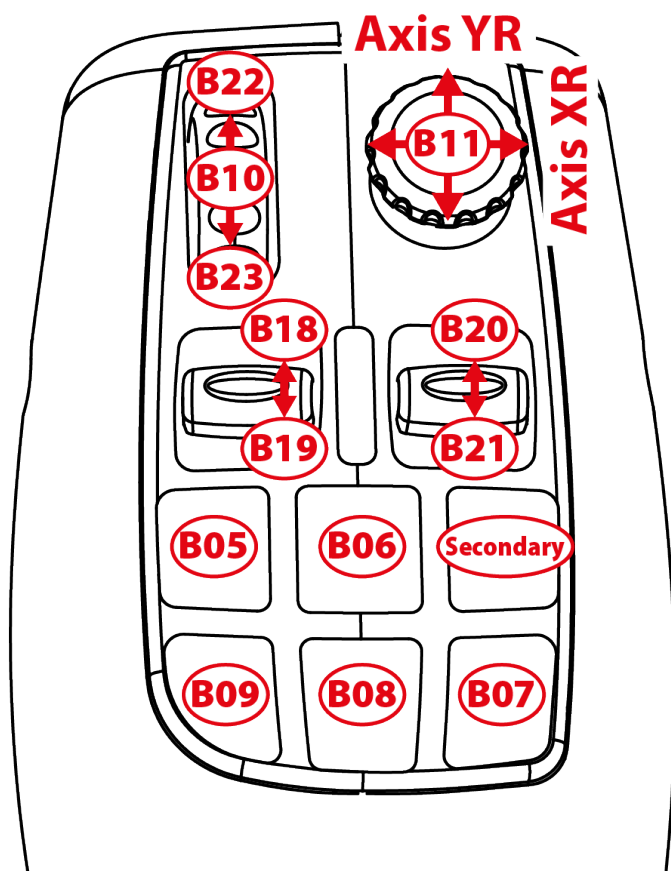


Le mapping est identique en mode droitier et gaucher.  
Le mode droitier (par défaut) / gaucher peut être sélectionné en suivant la procédure décrite [ici](#). Dans le cas d'une utilisation simultanée de deux joysticks (duo), ce mode permet de différencier les joysticks.

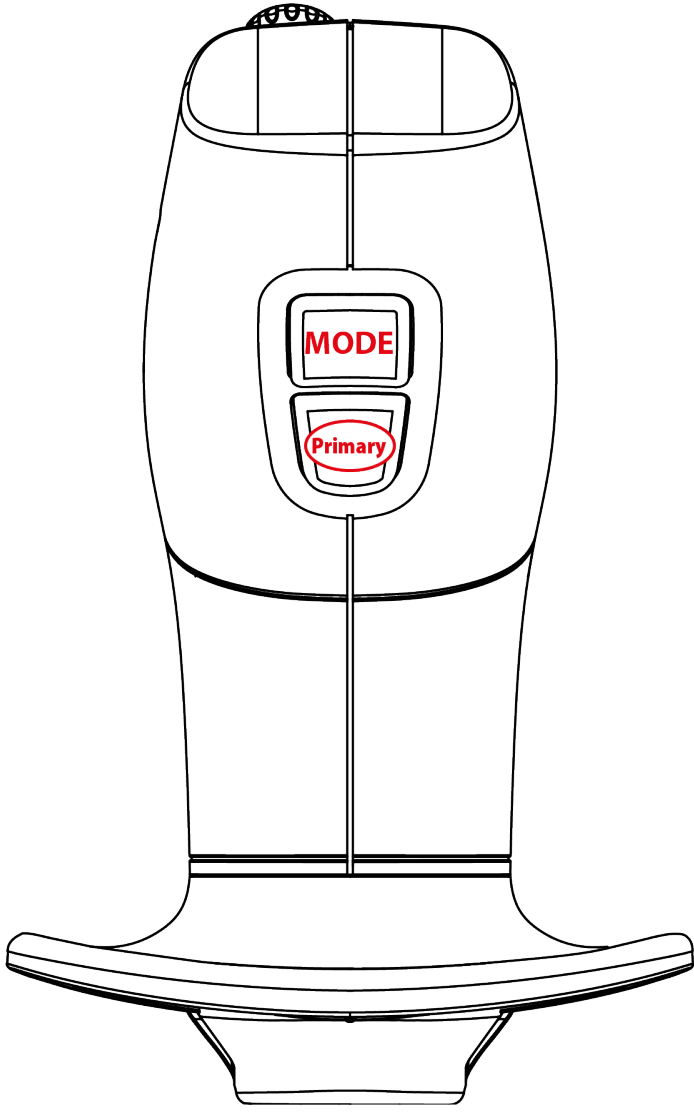




**Mode Conduite**



**Mode Travail**





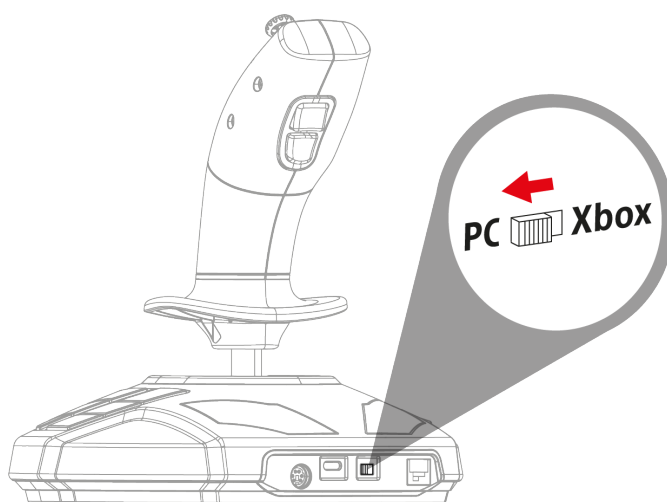
## 7. Installation sur PC

1. Allez sur :

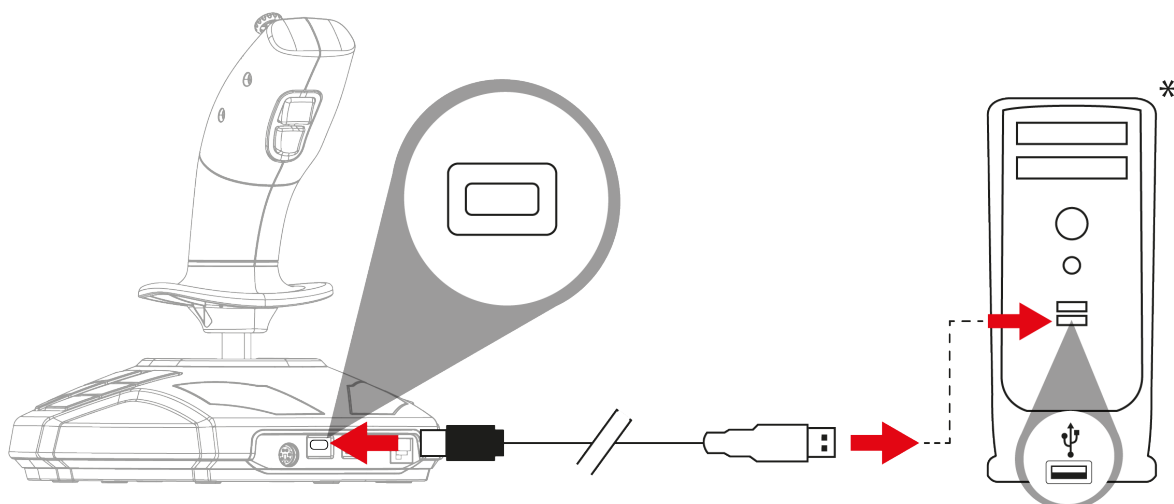
<https://support.thrustmaster.com/product/simtask-farmstick-x/>.

2. Téléchargez et installez le pilote PC et son interface personnalisée du panneau de configuration Windows.

3. Une fois le pilote PC installé, positionnez le sélecteur **19** situé à l'arrière du joystick sur la position PC.



4. Branchez le câble USB-C – USB-A sur le port USB-C **18** du joystick et sur un port USB-A du PC\*.



\*non fourni



5. Sélectionnez **Démarrer / Paramètres / Panneau de configuration** puis double-cliquez sur **Contrôleurs de jeu**. La boîte de dialogue Contrôleurs de jeu affichera le nom du joystick avec l'état **OK**.
6. Dans le **Panneau de configuration**, cliquez sur **Propriétés** pour tester et visualiser l'ensemble des fonctions. Sélectionnez également le mode main droite (par défaut) ou main gauche.

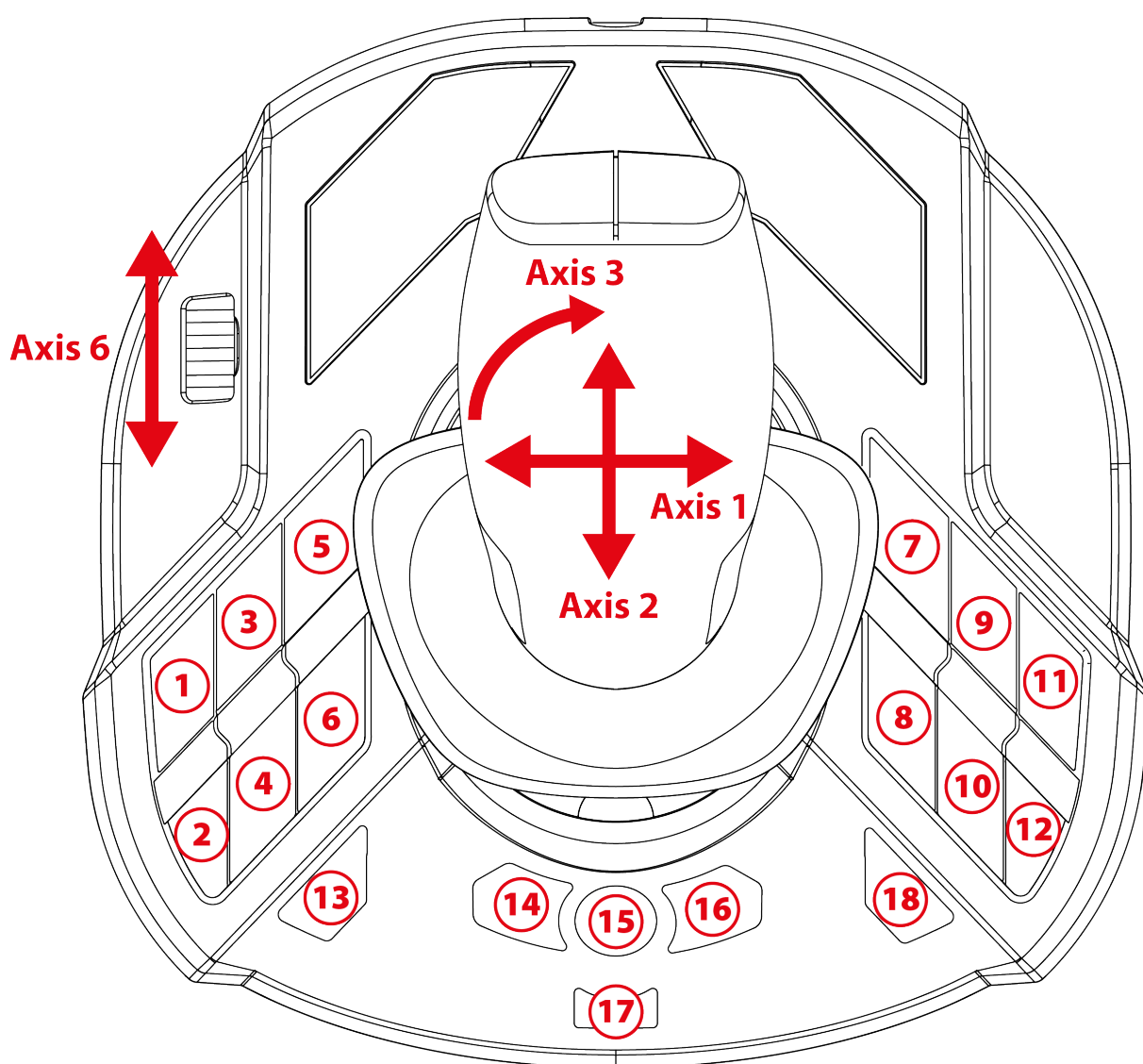
Vous êtes maintenant prêt à jouer !



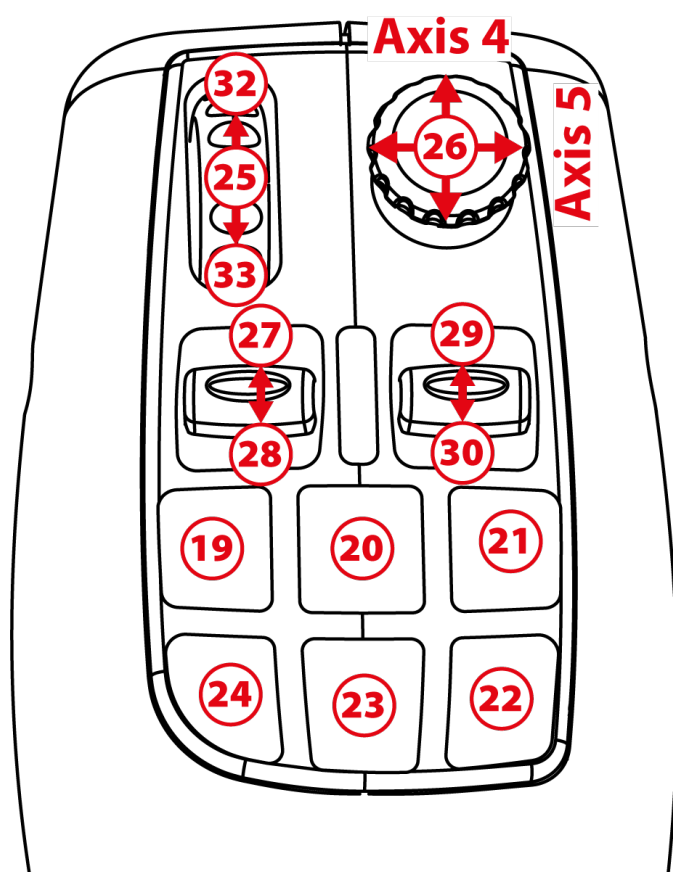
Lorsque vous branchez votre joystick, laissez toujours le manche centré, sans le déplacer ou le tourner, n'actionnez pas le mini-stick, afin d'éviter tout problème de calibration.



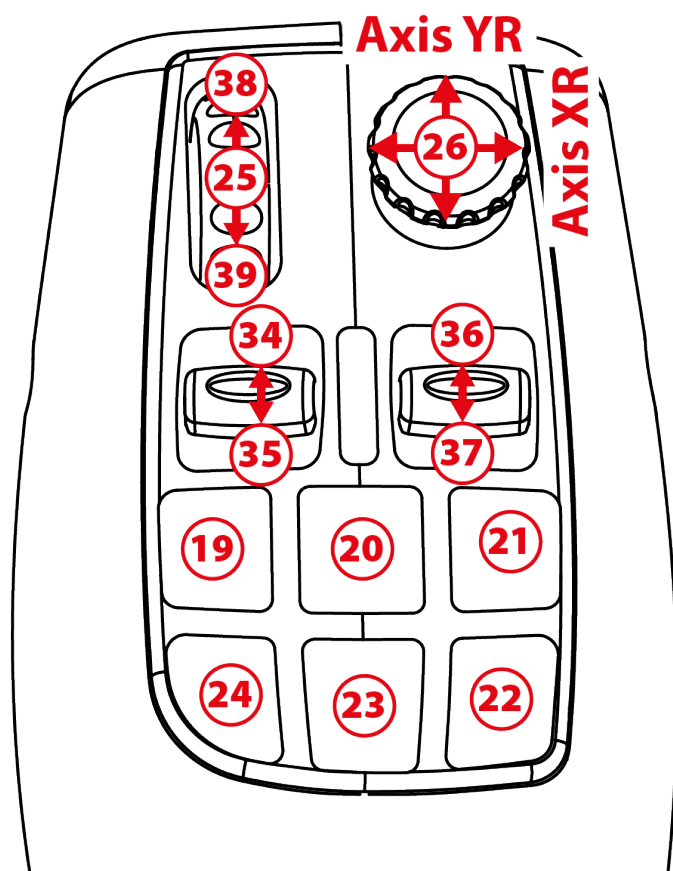
## 8. Mapping PC



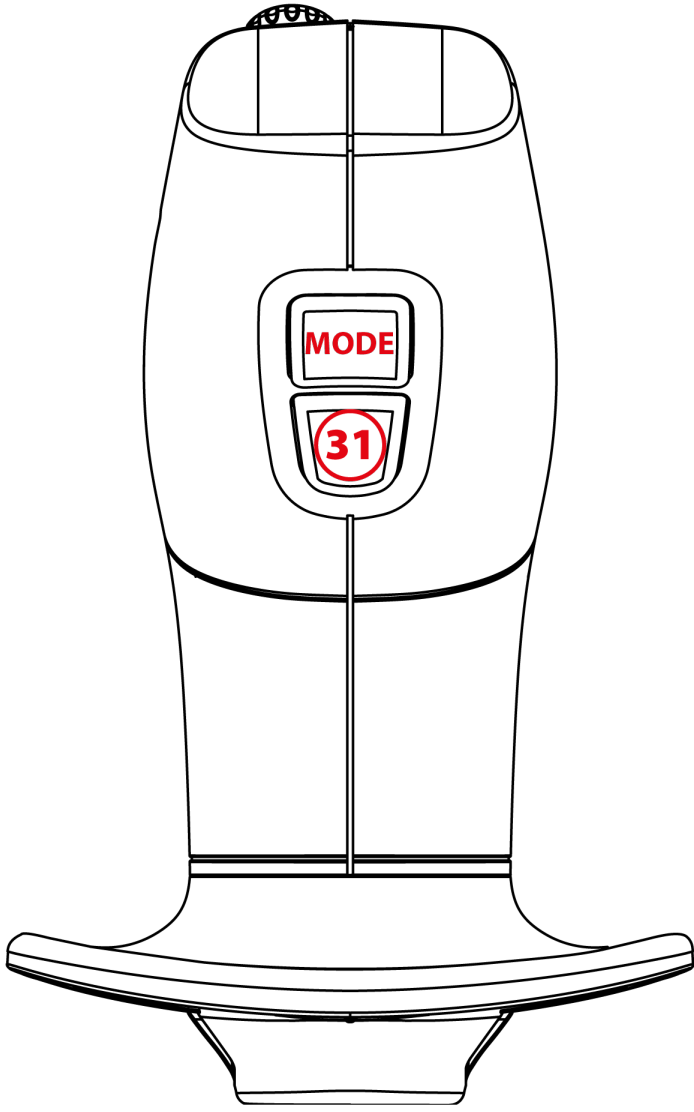
Le mapping est identique en mode droitier et gaucher.  
Le mode droitier (par défaut) / gaucher peut être sélectionné en suivant la procédure décrite [ici](#) ou dans le **Panneau de configuration**. Dans le cas d'une utilisation simultanée de deux joysticks (duo), ce mode permet de différencier les joysticks.



**Mode Conduite**



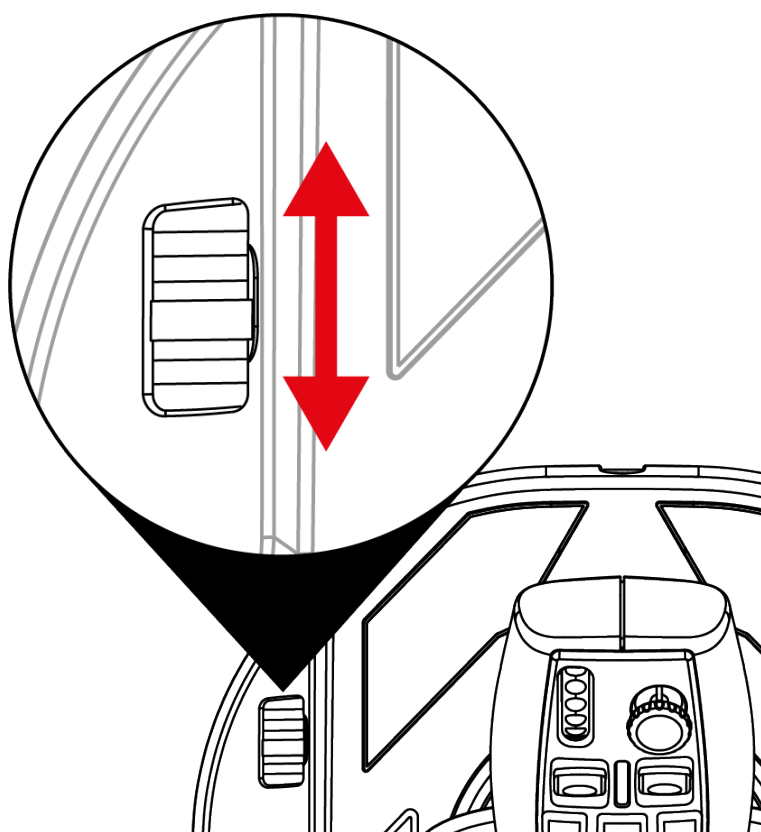
**Mode Travail**





## 9. Manette des gaz

Votre joystick dispose d'une manette des gaz **8** qui permet de contrôler facilement le régime de votre moteur.



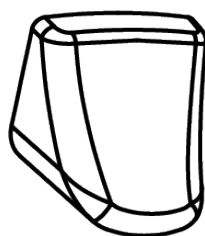




## 10. Gâchette interchangeable

Votre joystick dispose d'une gâchette d'action interchangeable **16** offrant différentes ergonomies de jeu.

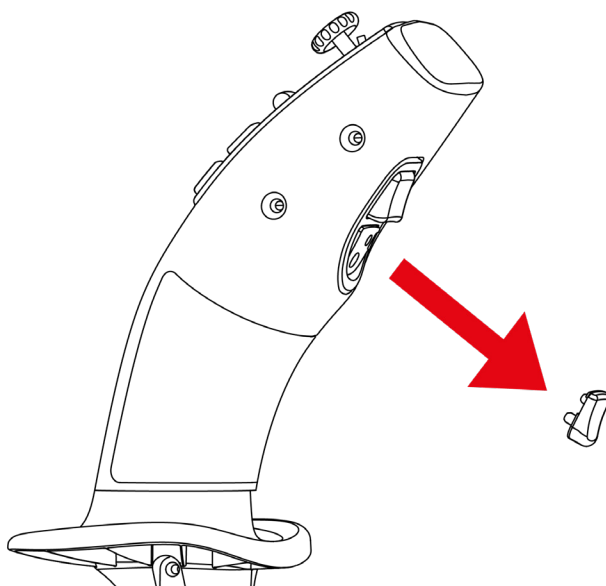
La gâchette installée par défaut peut être remplacée par une gâchette adaptée à la simulation de vol (fournie avec le SimTask FarmStick).



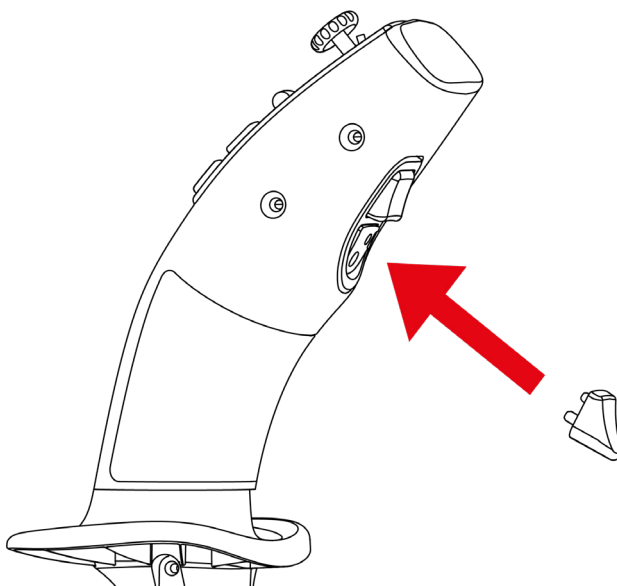


Pour changer de gâchette :

1. Placez vos doigts de chaque côté de la gâchette et tirez-la avec précaution.



2. Insérez la nouvelle gâchette en respectant l'orientation de montage.



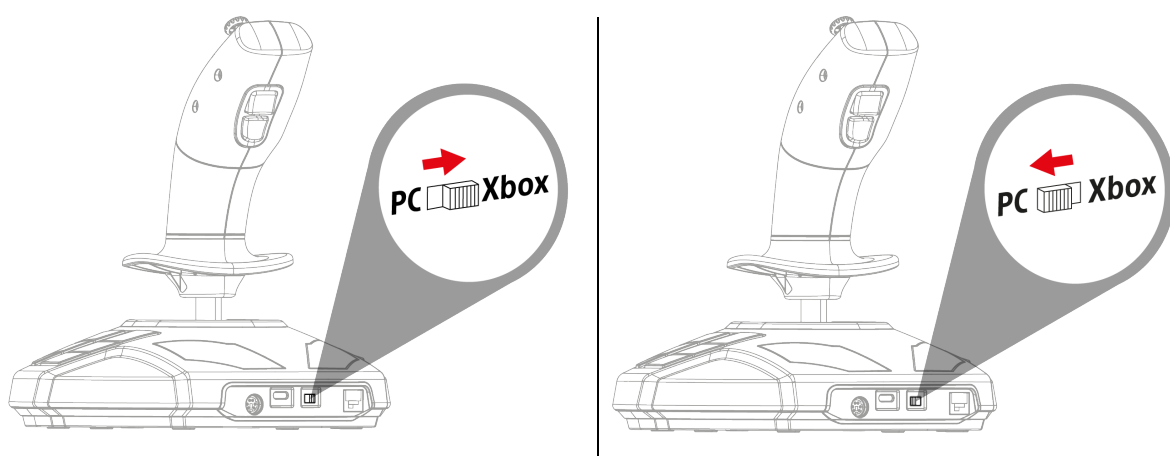
Les ergots de centrage doivent s'insérer dans leur emplacement dans le manche. Ne forcez pas, vous risquez d'endommager les ergots.



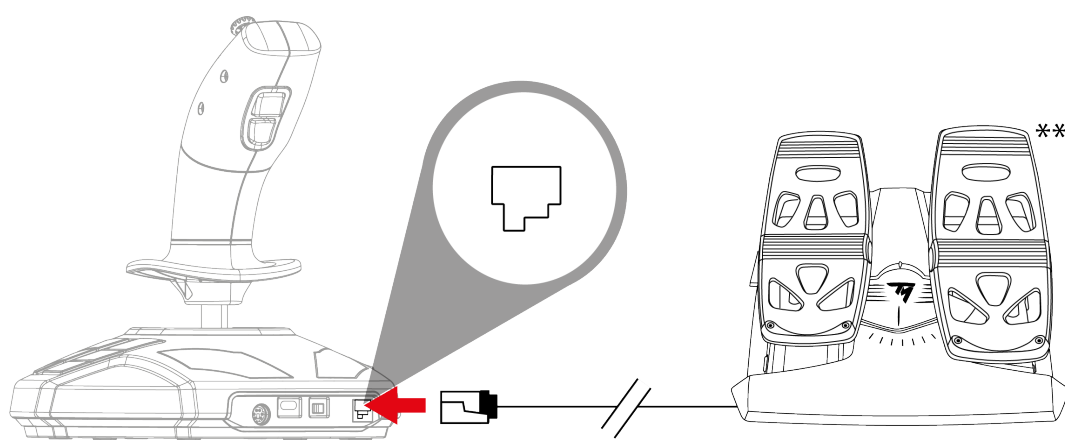
# 11. Installation sur Xbox Series X|S\* ou PC\* avec le palonnier TFRP\*\*

Le palonnier TFRP\*\* se branche sur le SimTask FarmStick.

1. Positionnez le sélecteur 19 situé à l'arrière du joystick sur la position Xbox ou PC.



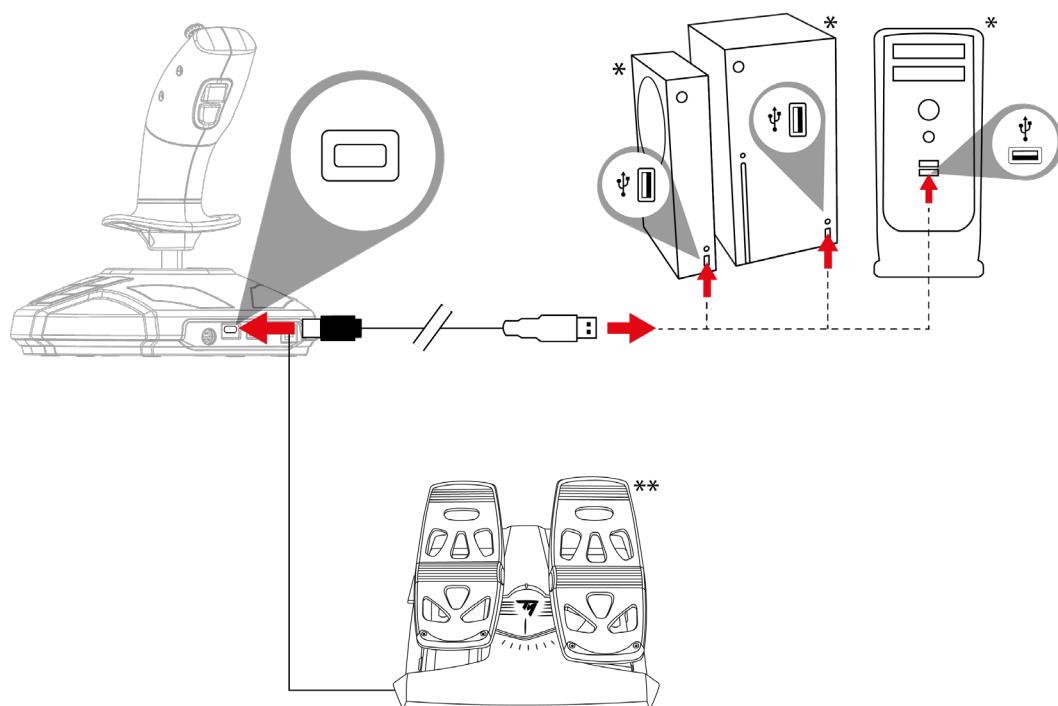
2. Branchez le câble RJ12 du palonnier TFRP\*\* sur le port RJ12 20 situé à l'arrière du joystick.



\*non fourni / \*\*vendu séparément



3. Branchez le câble USB-C – USB-A sur le port USB-C 18 du joystick et sur un port USB-A de la console\* ou du PC\*.



- Lorsque vous branchez votre joystick, laissez toujours le manche centré, sans le déplacer ou le tourner, n'actionnez pas le mini-stick, afin d'éviter tout problème de calibration.
- Lorsque vous branchez votre palonnier sur le joystick, laissez toujours l'axe du palonnier centré et ne posez pas les pieds sur le palonnier, afin d'éviter tout problème de calibration.

*\*non fourni / \*\*vendu séparément*



## 12. FAQ et support technique

### ***Mon joystick ne fonctionne pas correctement ou semble mal calibré.***

- Éteignez votre console ou votre ordinateur et débranchez votre joystick. Rallumez votre console ou votre ordinateur, rebranchez votre joystick et relancez votre jeu.
- Lorsque vous branchez votre joystick, laissez le manche centré, sans le déplacer ou le tourner, n'actionnez pas le mini-stick, afin d'éviter tout problème de calibration.
- Lorsque vous branchez votre palonnier sur le joystick, laissez toujours l'axe du palonnier centré et ne posez pas les pieds sur le palonnier, afin d'éviter tout problème de calibration.



## *Je n'arrive pas à configurer mon joystick.*

- Dans le menu **Options / Contrôleur / Manettes** ou **Joystick** de votre jeu, choisissez la configuration appropriée ou reconfigurez complètement les options du contrôleur.
- Reportez-vous au manuel de l'utilisateur ou à l'aide en ligne de votre jeu pour plus d'informations.



## *Mon joystick est trop ou pas assez sensible.*

- Votre joystick s'auto-calibre de manière autonome après quelques mouvements effectués sur les différents axes.
- Dans le menu **Options / Contrôleur / Manettes** ou **Joystick** de votre jeu, ajustez la sensibilité et les zones mortes de votre contrôleur (si l'option est disponible).

Vous avez des questions ou vous rencontrez des problèmes techniques concernant le SimTask FarmStick ? Consultez le site du support technique Thrustmaster :

<https://support.thrustmaster.com/product/simtask-farmstick-x/>.



# **THRUSTMASTER®**



# **SIMTASK FARMSTICK**

**XBOX SERIES X|S – PC**

## **Benutzerhandbuch**



**Lesen** Sie die Anweisungen in diesem Benutzerhandbuch **sorgfältig durch**, **bevor** Sie das Produkt installieren, **bevor** Sie es benutzen und **bevor** Sie es warten. Beachten Sie unbedingt die Sicherheitsanweisungen. Die Nichtbeachtung dieser Anweisungen kann zu Unfällen und/oder Schäden führen. Bewahren Sie dieses Benutzerhandbuch auf, damit Sie auch in Zukunft darin nachschlagen können.



# INHALTSVERZEICHNIS

<b>1. VERPACKUNGSGEHALT .....</b>	<b>5</b>
<b>2. FUNKTIONEN .....</b>	<b>6</b>
<b>3. INFORMATIONEN ZUR VERWENDUNG IHRES PRODUKTS .....</b>	<b>9</b>
<b>4. SO LERNEN SIE IHREN JOYSTICK KENNEN .....</b>	<b>12</b>
<i>Die wichtigsten Punkte .....</i>	<i>12</i>
<i>Präzisions-Technologie H.E.A.R.T. (HallEffect AccuRate Technology) .....</i>	<i>13</i>
<i>Fahrmodus &lt;&gt; Arbeitsmodus .....</i>	<i>14</i>
<i>Drehgriff .....</i>	<i>17</i>
<i>“Point-of-view”-Ministick.....</i>	<i>18</i>
<i>Konnektivität des SimTask FarmStick auf Xbox Series X S* und PC*.....</i>	<i>19</i>
<i>Konfiguration des Joysticks für Rechts- und Linkshänder .....</i>	<i>21</i>

<b>5.</b>	<b>INSTALLATION AUF XBOX SERIES X S..</b>	<b>24</b>
<b>6.</b>	<b>BELEGUNG FÜR XBOX.....</b>	<b>26</b>
<b>7.</b>	<b>INSTALLATION AUF EINEM PC .....</b>	<b>29</b>
<b>8.</b>	<b>BELEGUNG BEIM PC.....</b>	<b>31</b>
<b>9.</b>	<b>GASHEBEL.....</b>	<b>34</b>
<b>10.</b>	<b>AUSTAUSCHBARER TRIGGER.....</b>	<b>35</b>
<b>11.</b>	<b>INSTALLATION AUF XBOX SERIES X S* ODER PC* MIT EINEM TFRP-RUDER** .....</b>	<b>37</b>
<b>12.</b>	<b>FAQ UND TECHNISCHER SUPPORT .....</b>	<b>39</b>



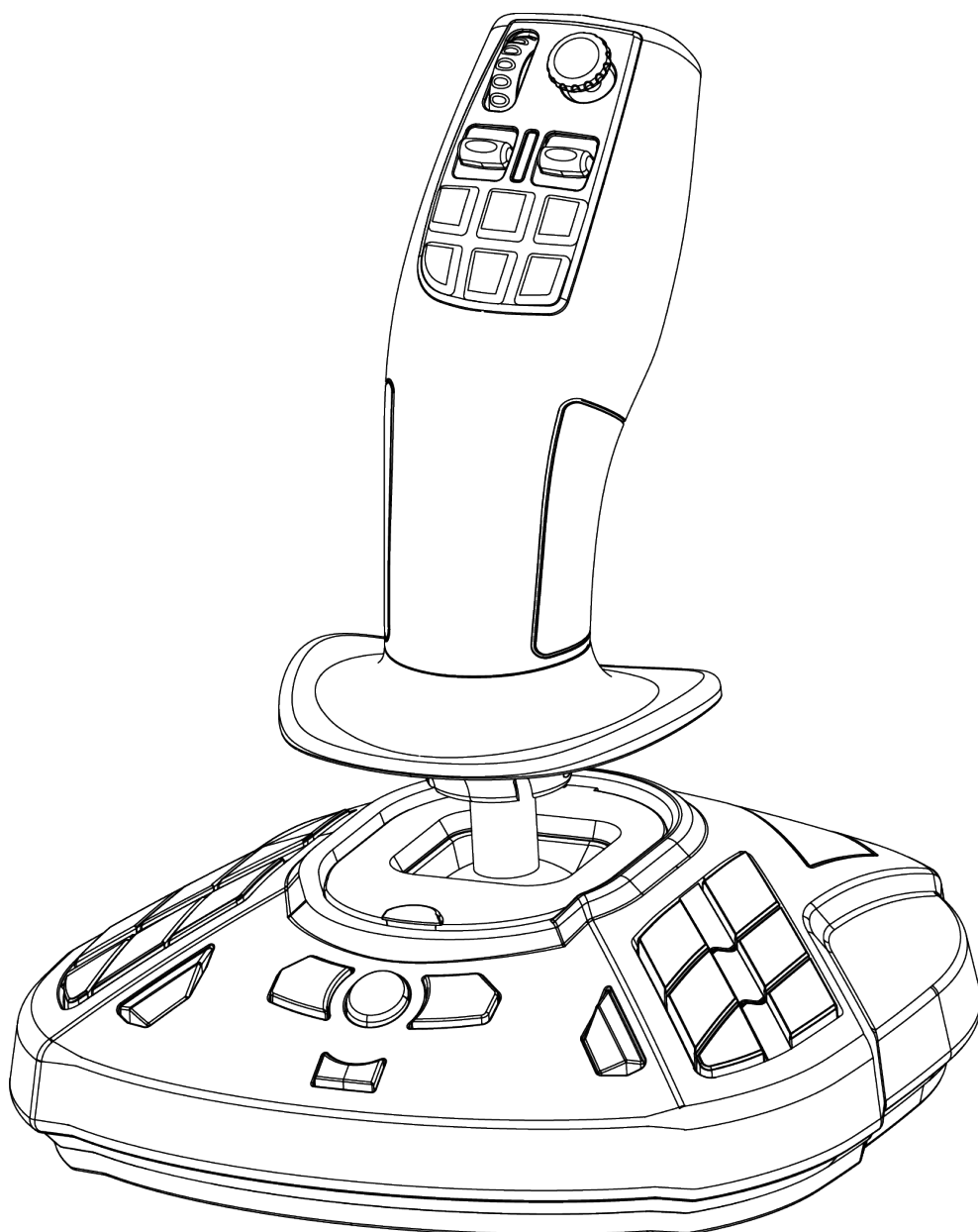
Mit dem SimTask FarmStick von Thrustmaster erhalten Sie ein Gerät, das perfekt auf die Bedienung Ihrer Land- und Baumaschinen abgestimmt ist.

Sie können den SimTask FarmStick auch als Joystick für Flugsimulationen verwenden.

Dieses Handbuch wird Ihnen helfen, Ihren SimTask FarmStick unter den besten Bedingungen zu installieren und zu verwenden. Bevor Sie beginnen, lesen Sie bitte alle Anweisungen und Warnungen sorgfältig durch: Sie werden Ihnen helfen, Ihr Produkt optimal zu nutzen.

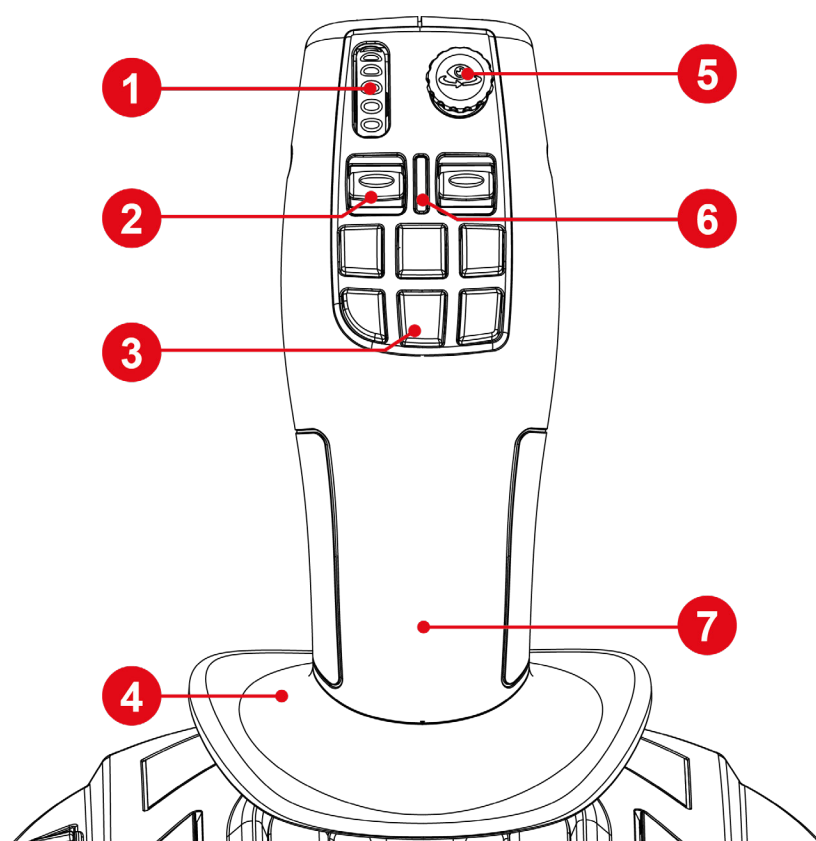


# 1. Verpackungsinhalt

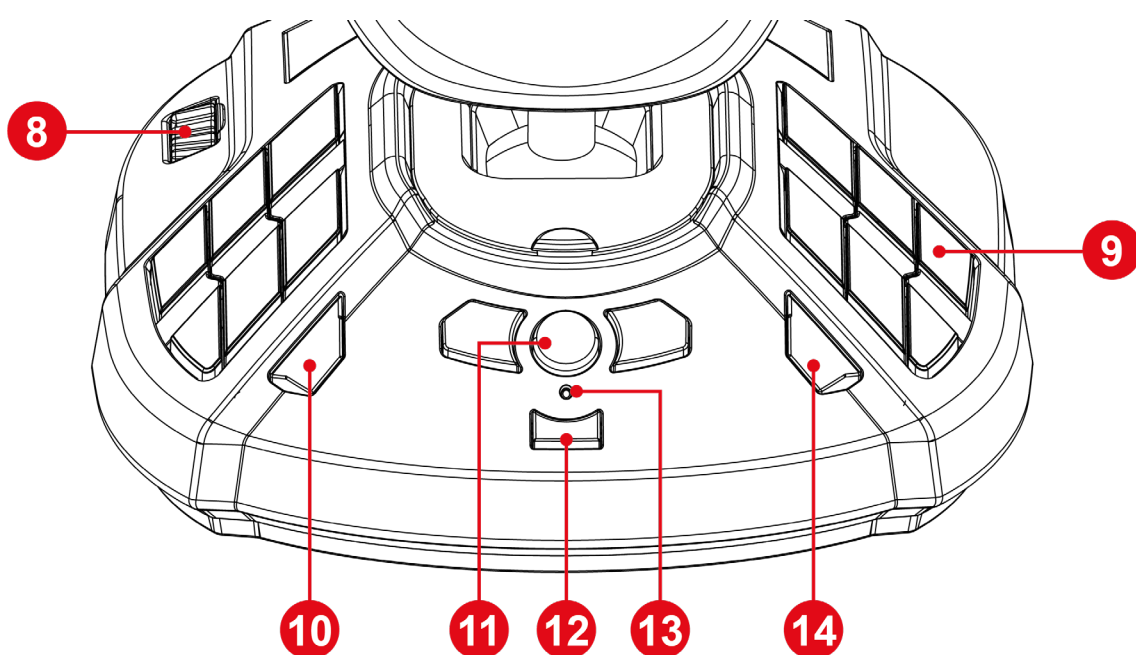




## 2. Funktionen



1. Daumenrad
2. Wippschalter
3. Schnelle Aktionstasten
4. Handablage
5. "Point-of-view"-Ministick
6. LED-Anzeige des Stick-Modus
7. Beidhändiger Griff



8. Gashebel

9. Programmierbare Aktionstasten

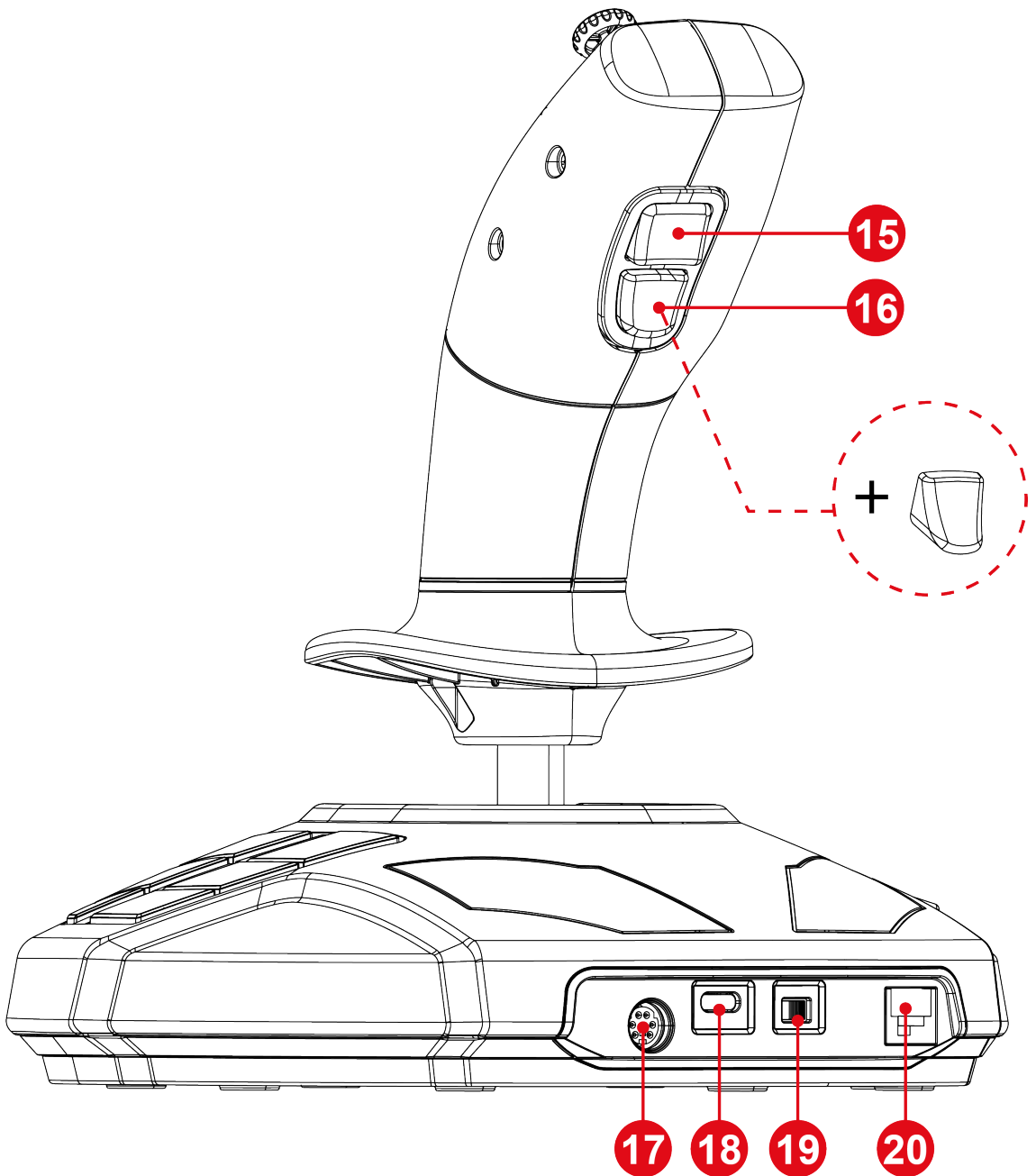
10. View (Ansichts)-Taste

11. Xbox-Taste

12. Share (Freigabe)-Taste

13. Kontrollleuchte

14. Menu (Menü)-Taste



- 15. Taste zum Ändern des Stick-Modus
- 16. Austauschbarer Aktions-Trigger
- 17. DIN-Anschluss für weiteres Zubehör\*
- 18. USB-C-Anschluss
- 19. Auswählschalter für Xbox / PC
- 20. RJ12-Anschluss für TFRP-Ruder\*

*\*separat erhältlich*



### 3. Informationen zur Verwendung Ihres Produkts



#### **Dokumentation**

Bevor Sie dieses Produkt verwenden, lesen Sie diese Dokumentation noch einmal sorgfältig durch und bewahren Sie diese auf, damit Sie später darin nachschlagen können.





## **Stromschlag**

- Bewahren Sie dieses Produkt an einem trockenen Ort auf, und setzen Sie es weder Staub noch Sonnenlicht aus.
- Achten Sie auf die richtige Steckrichtung der Anschlüsse.
- Ziehen Sie nicht an den Anschlüssen und Kabeln, und verdrehen Sie diese nicht.
- Schütten Sie keine Flüssigkeiten auf das Gerät oder seine Anschlüsse.
- Schließen Sie das Produkt nicht kurz.
- Zerlegen Sie das Produkt nicht, versuchen Sie nicht, es in Brand zu setzen und setzen Sie es keinen hohen Temperaturen aus.
- Öffnen Sie das Gerät nicht: Im Inneren befinden sich keine vom Benutzer zu wartenden Teile. Jegliche Reparaturen müssen vom Hersteller, einer autorisierten Stelle oder einem qualifizierten Techniker durchgeführt werden.



### **Absicherung des Spielbereichs**

- Legen Sie keine Gegenstände in den Spielbereich, die den Benutzer in seiner Tätigkeit stören oder eine unerwünschte Handlung oder eine Störung durch eine andere Person herbeiführen könnten (z. B. Kaffeetasse, Telefon, Schlüssel).
- Decken Sie die Stromkabel nicht mit Teppichen, Decken oder anderen Gegenständen ab und verlegen Sie keine Kabel dort, wo Personen entlanglaufen.



## 4. So lernen Sie Ihren Joystick kennen

### *Die wichtigsten Punkte*

- 33 Tasten und 6 virtuelle Achsen, einschließlich eines Daumenrads und zweier Wippschalter
- 6 Achsen, darunter ein Ministick und die Drehfunktion des Joystickgriffs sowie ein Gashebel
- LED-Anzeige des Stick-Modus
- H.E.A.R.T.-Technologie (HallEffect AccuRate Technology)
- Anschluss an USB-A-Port
- Gashebel
- RJ12-Anschluss für TFRP-Ruder\*

*\*separat erhältlich*



***Präzisions-Technologie***

***H.E.A.R.T.***

***(HallEffect AccuRate Technology)***

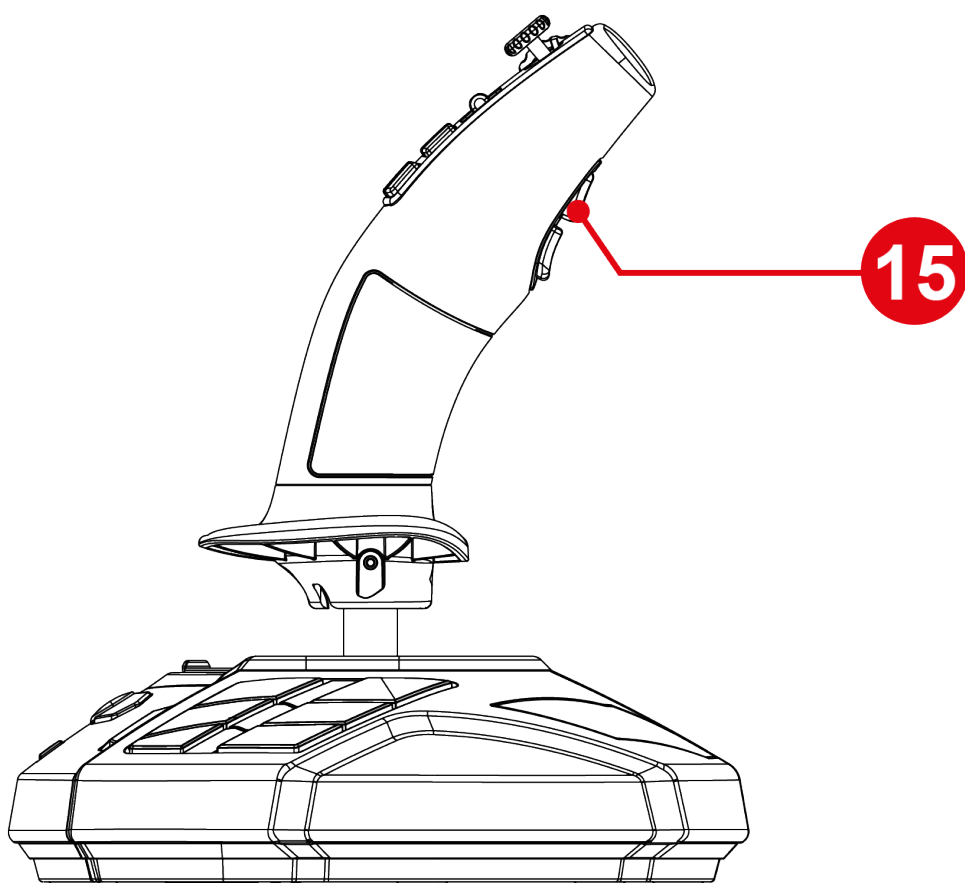
Ihr SimTask FarmStick ist mit einer Technologie ausgestattet, die ihm einen Präzisionsgrad verleiht, der derzeit in der Welt der Spiele-Joysticks unerreicht ist, darunter:

- 3D-Magnetsensoren (Hall-Effekt) auf dem Stick mit einer Auflösung von mehr als 268 Millionen Werten über die X- und Y-Achse (16.384 x 16.384 Werte).
- Ein Magnet: keine Reibung, für grenzenlose Präzision und unglaubliche Reaktionsfähigkeit, die von Dauer ist.
- Eine Spiralfeder auf dem Stick (2,8 mm): für eine feste, lineare und extrem gleichmäßige Spannung.



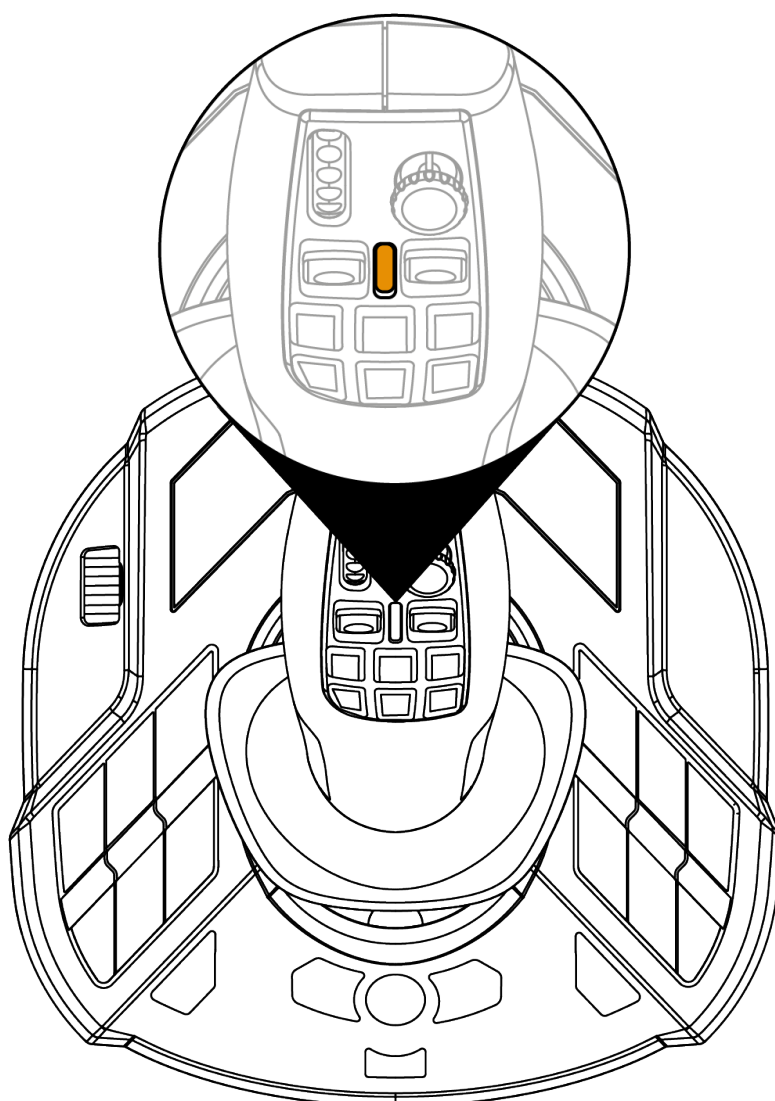
## Fahrmodus ↔ Arbeitsmodus

Mit der Taste **15** können Sie vom **Fahrmodus** in den **Arbeitsmodus** wechseln und umgekehrt.



Diese Funktion erweitert die Palette der Aktionen, die mit dem Daumen ausgeführt werden können, d. h. über das Daumenrad **1** und die beiden Wippschalter **2**.

Durch den Wechsel des Modus wird die mit dem Daumenrad **1** und den beiden Wippschaltern **2** verbundene Aktion geändert.



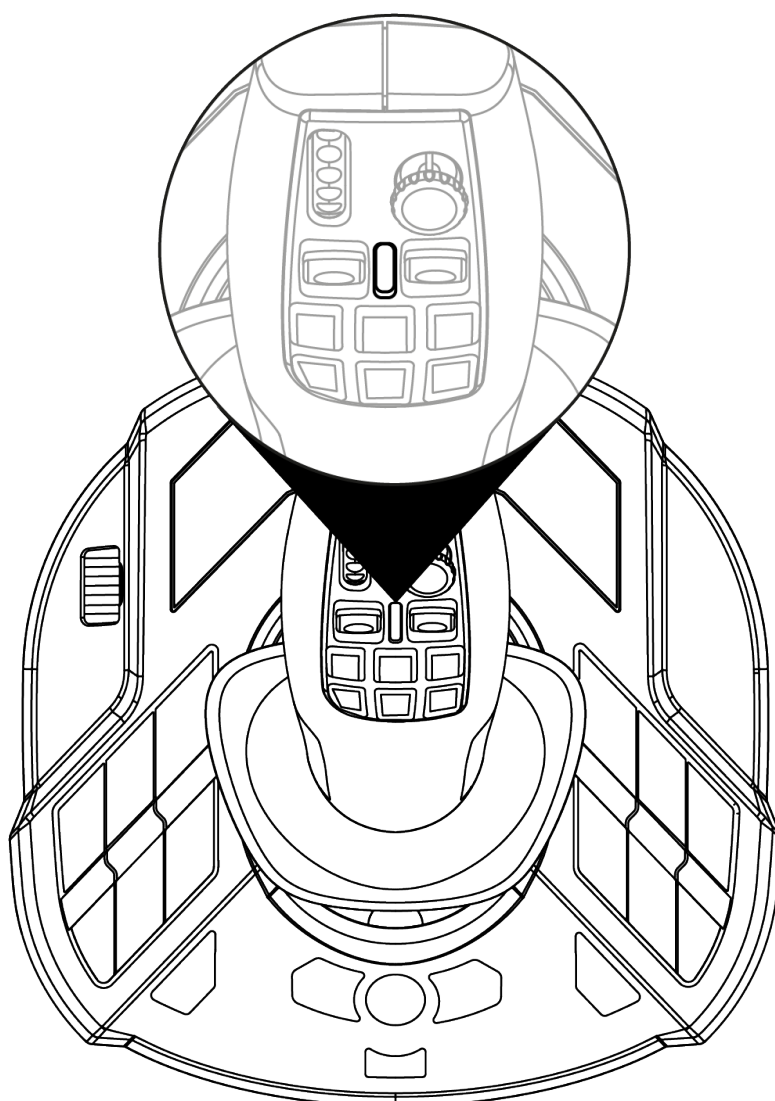
### Fahrmodus (Standard)

Im **Fahrmodus** leuchtet die LED für den Stick-Modus **6** orange.



Im **Fahrmodus** kann die mit dem Daumenrad **1** und den Wippschaltern **2** verbundene Aktion wie folgt aussehen:

- Daumenrad: Steuerung des Reglersollwerts.
- Wippschalter: Getriebesteuerung.



## Arbeitsmodus

Im **Arbeitsmodus** leuchtet die LED für den Stick-Modus **6** weiß.



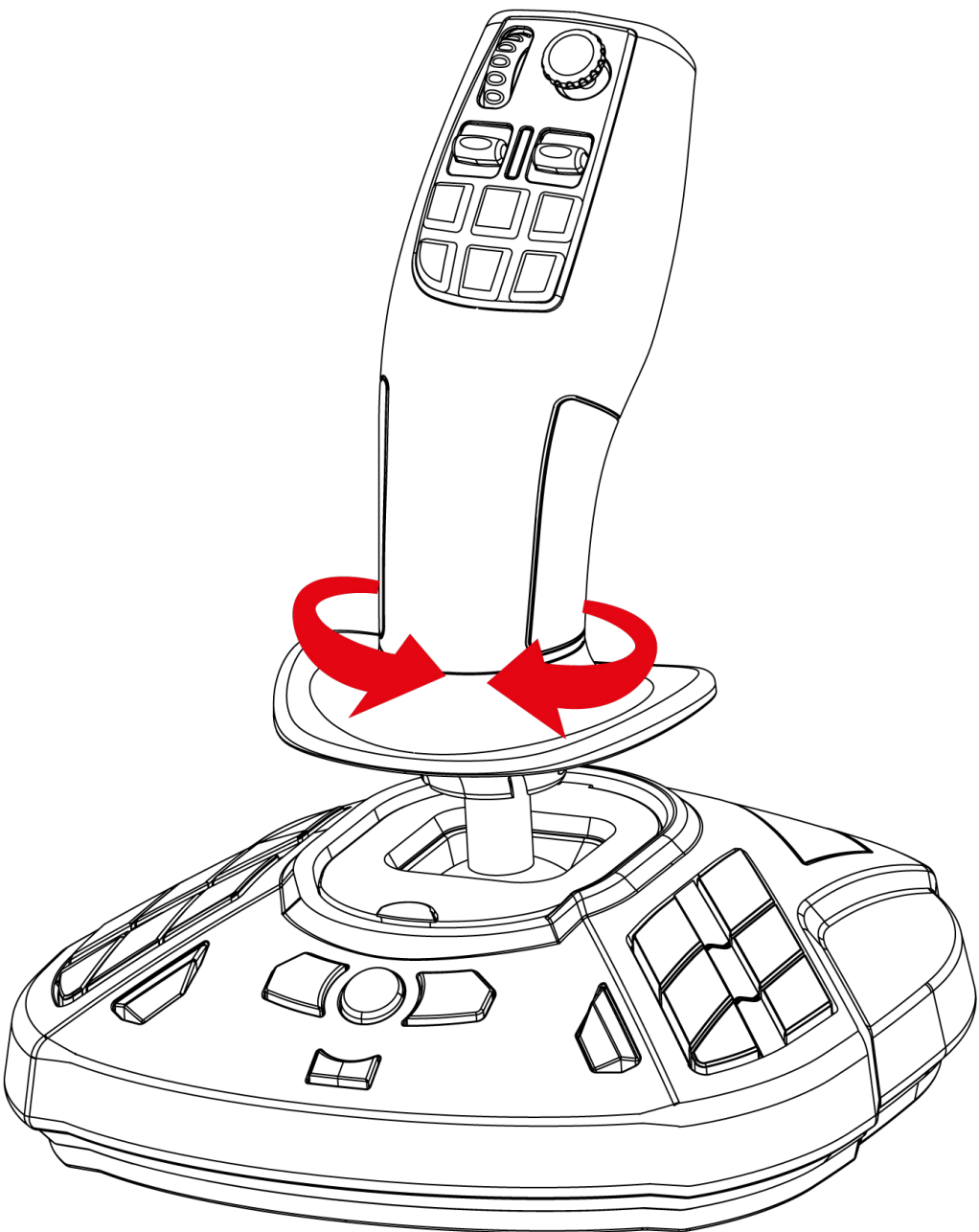
Im **Arbeitsmodus** können die mit dem Daumenrad **1** und den Wippschaltern **2** verbundenen Aktionen wie folgt aussehen:

- Daumenrad: Steuerung des Kamerazooms.
- Wippschalter: Steuerung von Kranarmen oder Ladegeräten.



## *Drehgriff*

Der SimTask FarmStick verfügt über einen Griff, der um seine horizontale Achse drehbar ist. Dies ist nützlich, um zum Beispiel einen Kran oder einen Bagger zu manövrieren.

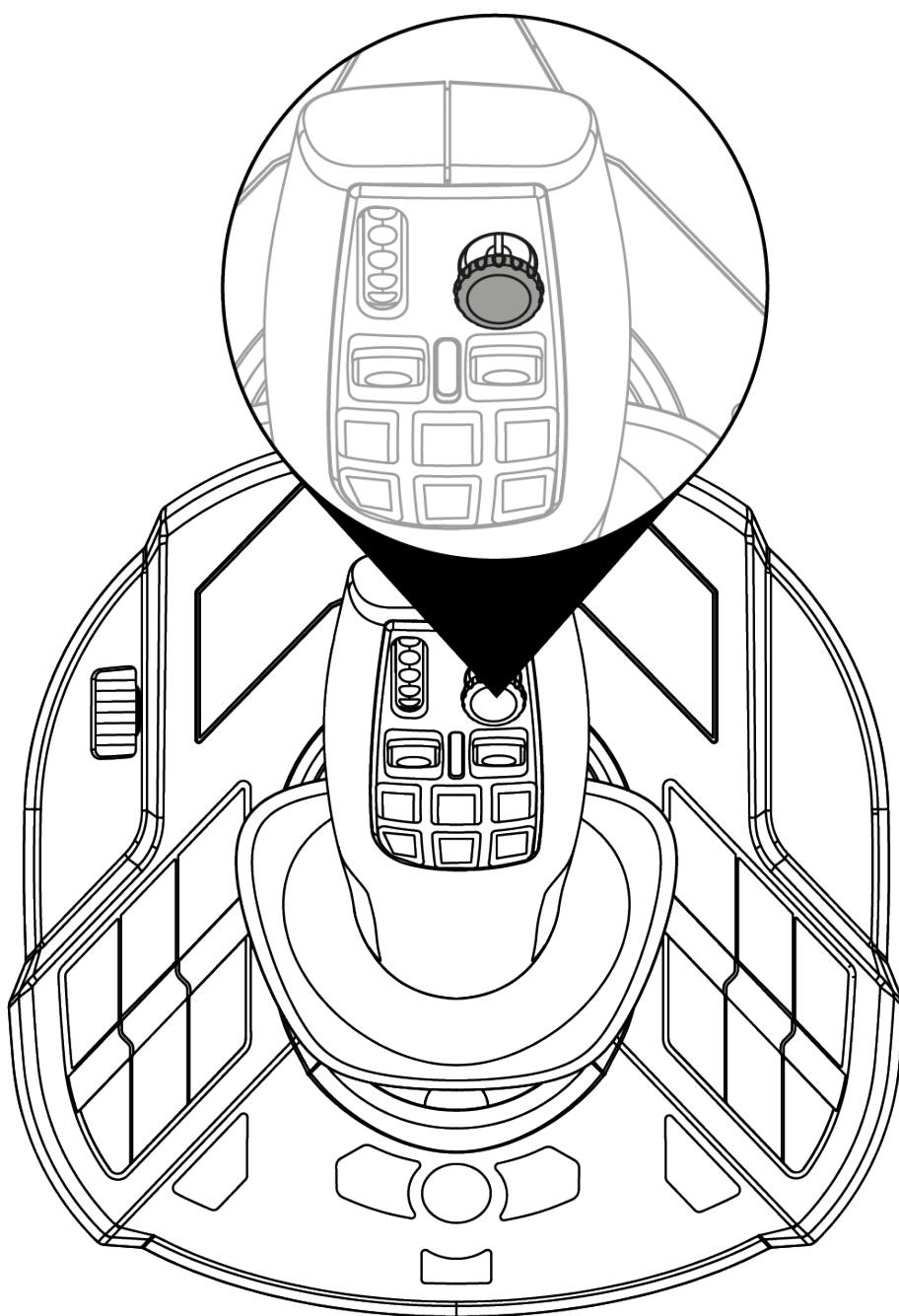






## *“Point-of-view”-Ministick*

Der SimTask FarmStick verfügt über einen "Point-of-view"-Ministick **5**, mit dem Sie das Sichtfeld des Fahrers der Maschine kontrollieren können.





## ***Konnektivität des SimTask FarmStick auf Xbox Series X|S\* und PC\****

Der SimTask FarmStick verfügt über sechs Achsen, bietet jedoch auch die Möglichkeit, ein TFRP\*\*-Ruder auf der Rückseite des Joysticks anzuschließen. Dadurch erhalten Sie zwei zusätzliche Achsen sowie eine Rudersteuerung mit dem TFRP.

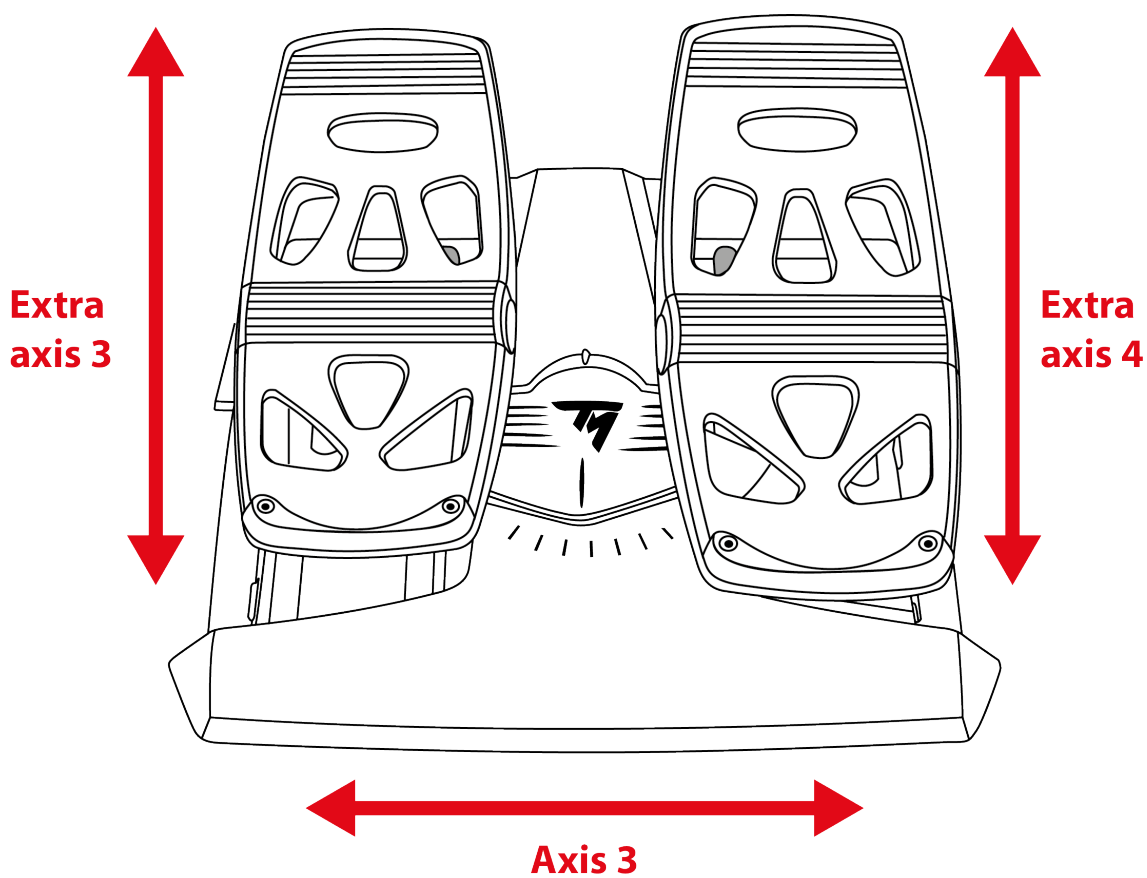


Das TFRP-Ruder ist das einzige Gerät, das auf Xbox Series X|S und PC unterstützt wird.

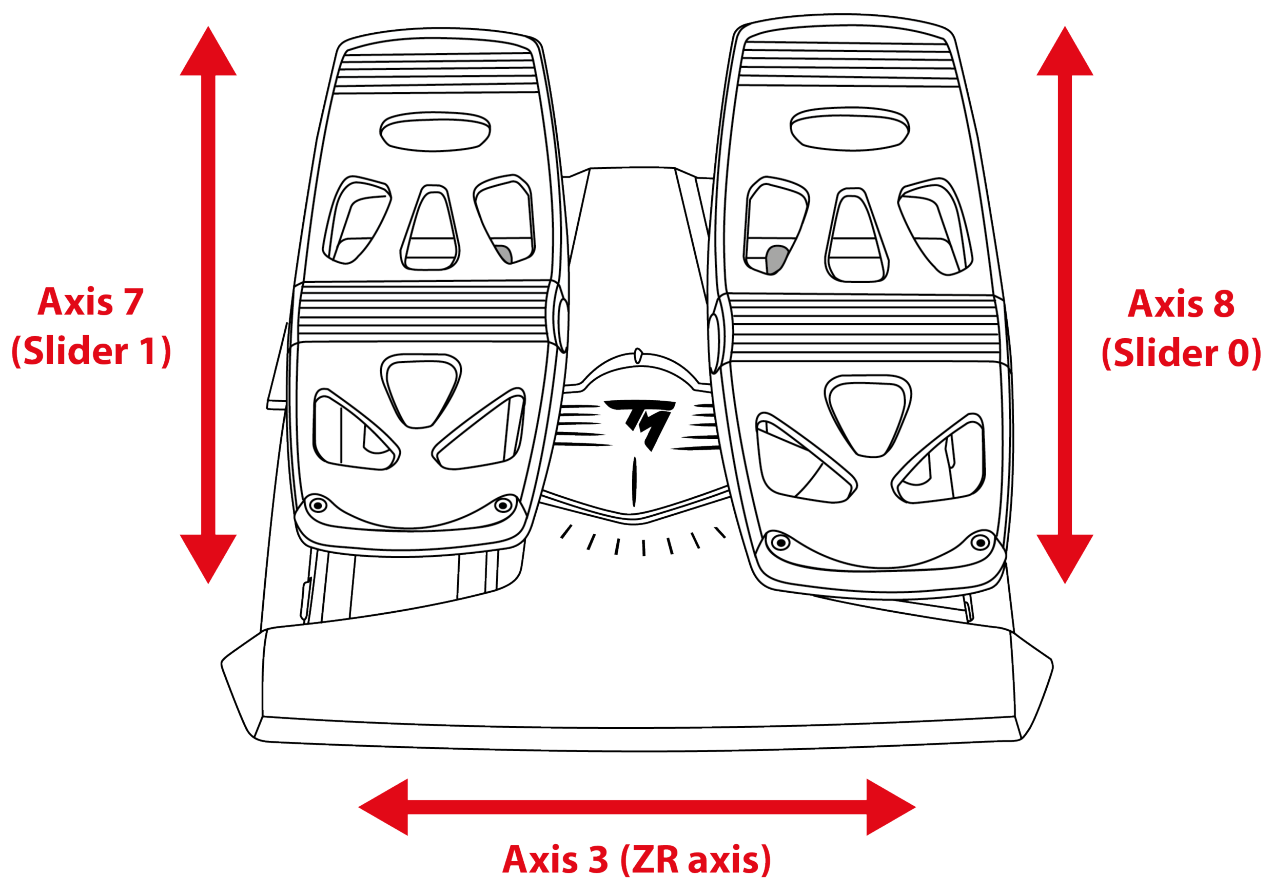
*\*nicht im Lieferumfang enthalten / \*\*separat erhältlich*



Belegung für Xbox:



Belegung für PC:





## ***Konfiguration des Joysticks für Rechts- und Linkshänder***

Ihr SimTask FarmStick ist beidhändig, um sich problemlos an jeden Spieler anzupassen, egal ob er Rechts- oder Linkshänder ist.

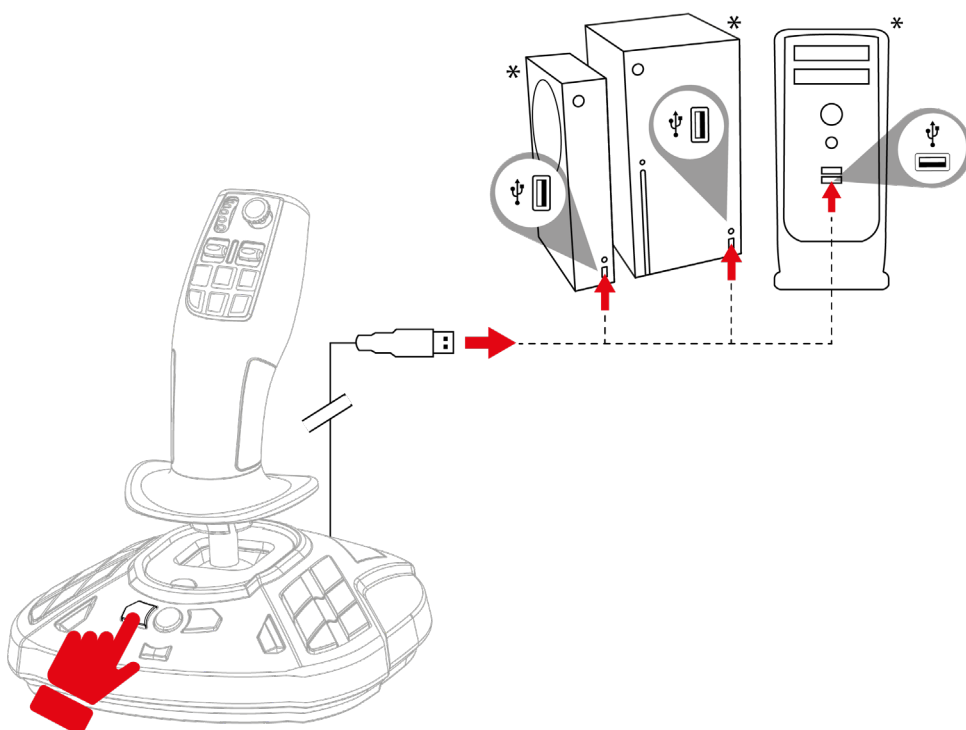
Standardmäßig ist der Joystick auf den Rechtshänder-Modus eingestellt.



So stellen Sie den Joystick auf den LINKSHÄNDER-Modus ein:

1. Halten Sie die Taste 14 (auf dem PC) oder Prev (auf Xbox Series X|S) gedrückt, wenn Sie Ihren SimTask FarmStick an Ihre Xbox Series X|S oder Ihren PC anschließen.

Die LED-Anzeigeleuchte des Stick-Modus **6** blinkt fünf Sekunden lang weiß.



1. Lassen Sie die Taste 14 (auf PC) oder Prev (auf Xbox Series X|S) los.



Der LINKSHÄNDER-Modus wird automatisch im internen Speicher des SimTask FarmStick gespeichert.

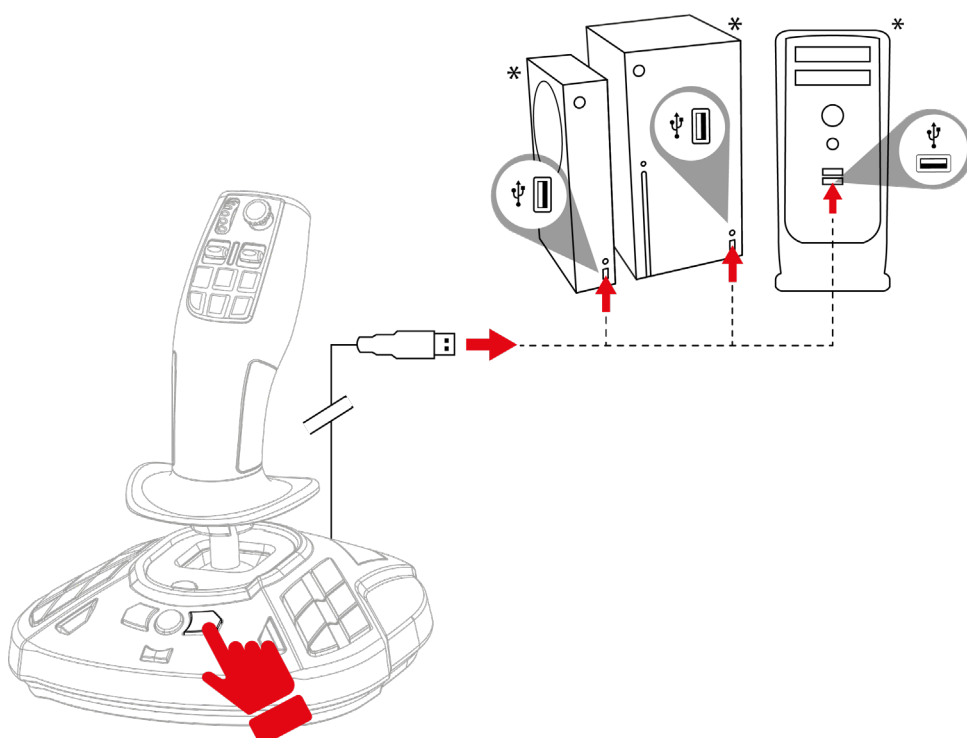
*\*nicht im Lieferumfang enthalten*



So stellen Sie den Joystick auf den RECHTHÄNDER-Modus zurück:

1. Halten Sie die Taste 16 (auf PC) oder Next (auf Xbox Series X|S) gedrückt, wenn Sie Ihren SimTask FarmStick an Ihre Xbox Series X|S oder Ihren PC anschließen.

Die LED-Anzeigeleuchte des Stick-Modus **6** blinkt fünf Sekunden lang orange.



2. Lassen Sie die Taste 16 (auf PC) oder Next (auf Xbox Series X|S) los.



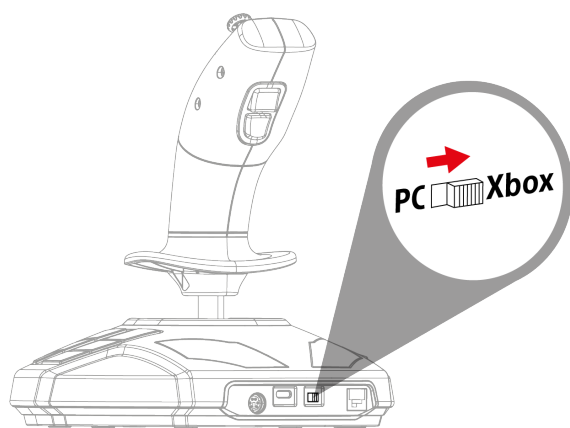
Der RECHTSHÄNDER-Modus wird automatisch im internen Speicher des SimTask FarmStick gespeichert.

*\*nicht im Lieferumfang enthalten*

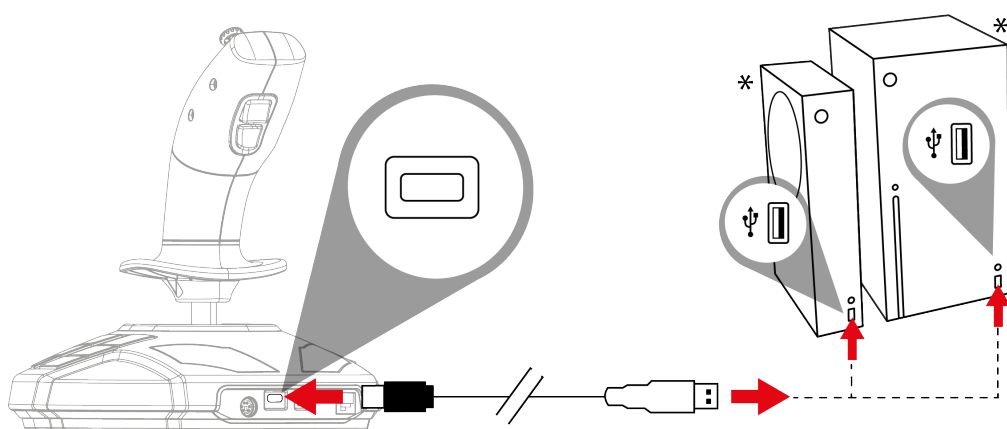


## 5. Installation auf Xbox Series X|S

1. Stellen Sie den Schalter **19** auf der Rückseite des Joysticks auf die Position Xbox.



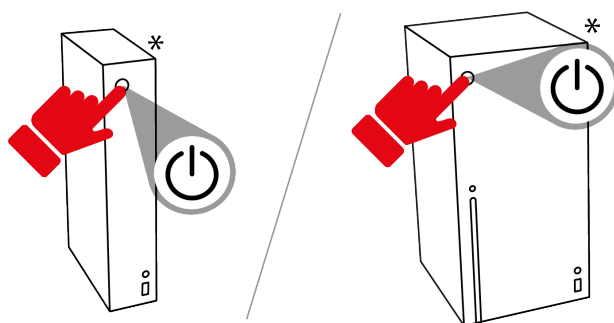
2. Stecken Sie das USB-C – USB-A-Kabel in den USB-C-Anschluss **18** des Joysticks und einen der USB-A-Anschlüsse der Konsole\*.



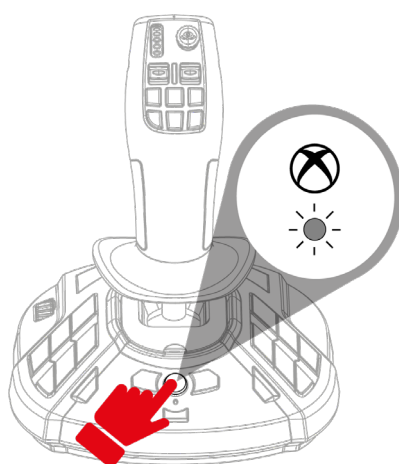
*\*nicht im Lieferumfang enthalten*



3. Schalten Sie die Konsole an.



4. Drücken Sie die Xbox-Taste. Die Kontrollleuchte des Joysticks leuchtet weiß.



5. Starten Sie ein kompatibles Spiel.

Sie können jetzt mit dem Spiel beginnen!



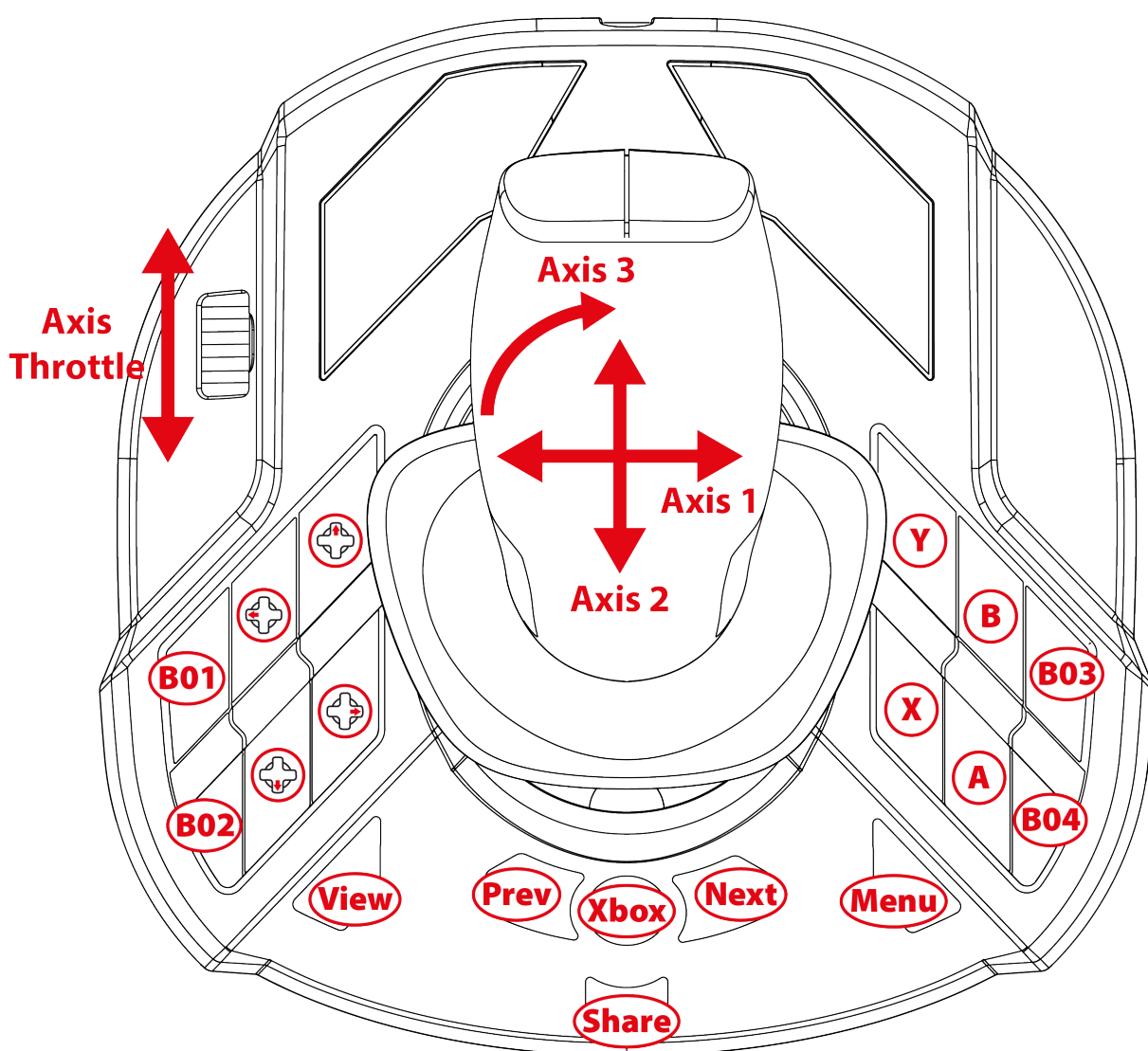
Wenn Sie Ihren Joystick anschließen, halten Sie den Griff immer in seiner zentralen Position und bewegen oder drehen Sie ihn nicht, um Kalibrierungsprobleme zu vermeiden.

*\*nicht im Lieferumfang enthalten*



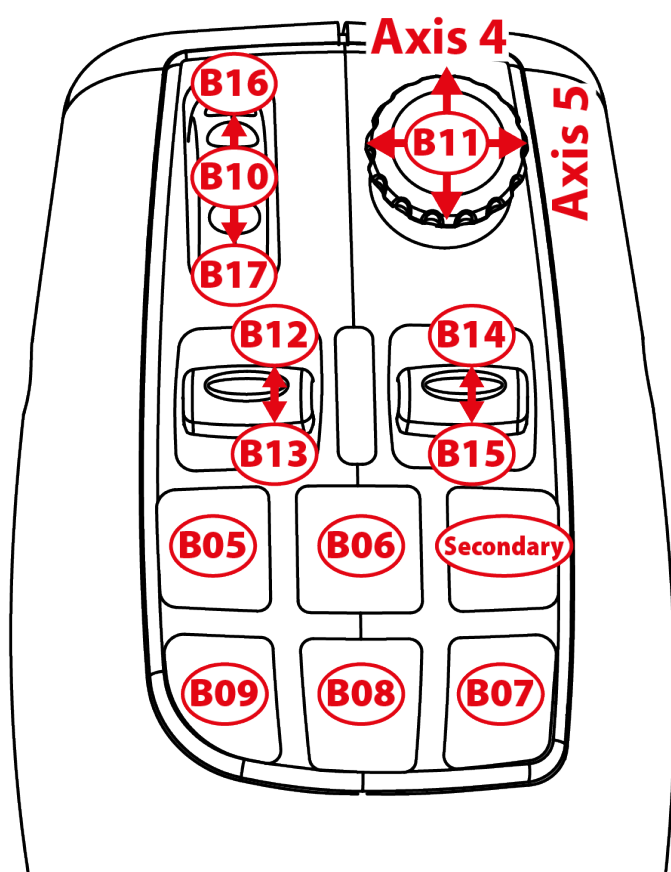


## 6. Belegung für Xbox

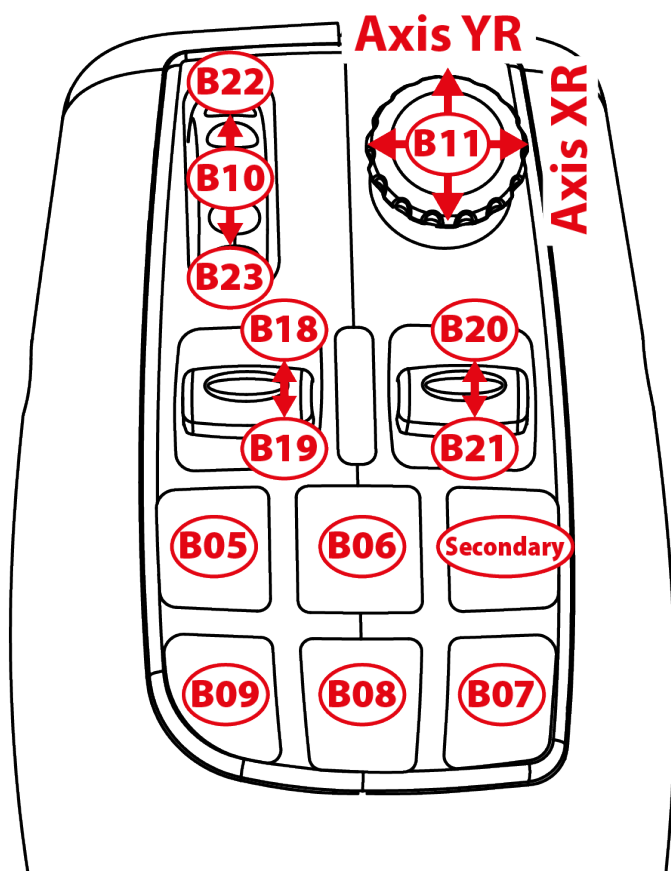


Die Belegung ist im Rechtshänder- und Linkshänder-Modus identisch.

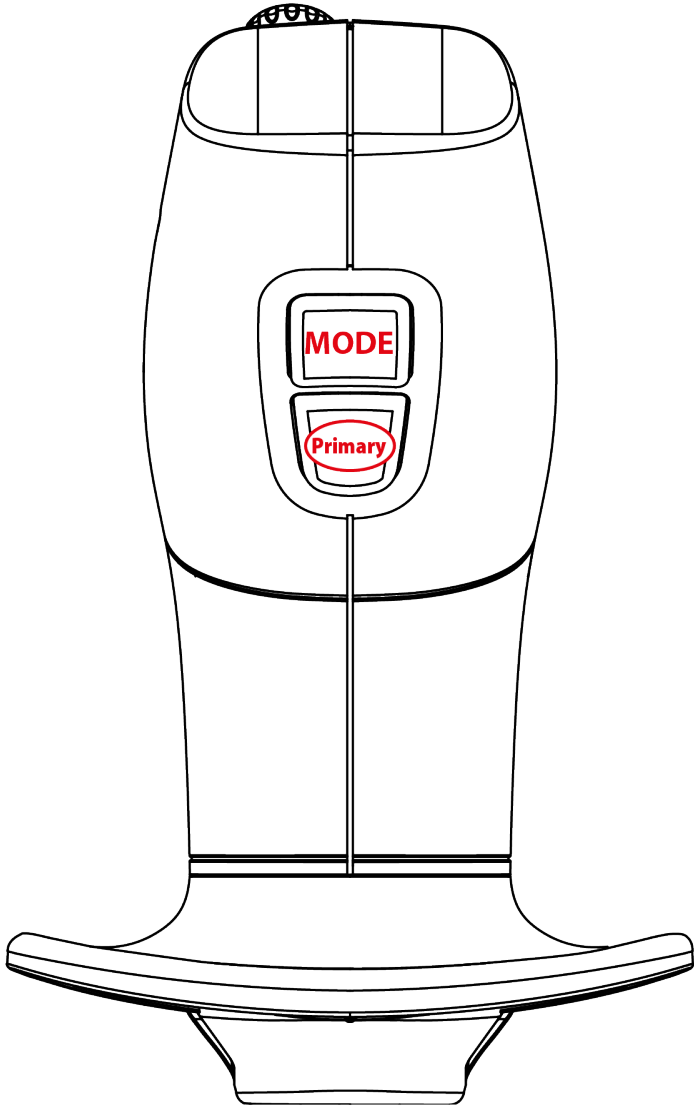
Der Rechtshänder- (Standard) bzw. Linkshändermodus kann **auf diese Weise** ausgewählt werden. Wenn Sie zwei Joysticks gleichzeitig verwenden, hilft Ihnen dieser Modus bei der Unterscheidung der beiden.



**Fahrmodus**



**Arbeitsmodus**





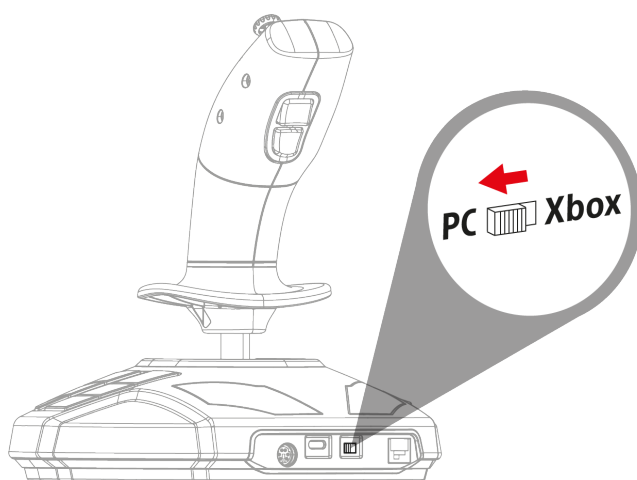
## 7. Installation auf einem PC

1. Bitte besuchen Sie:

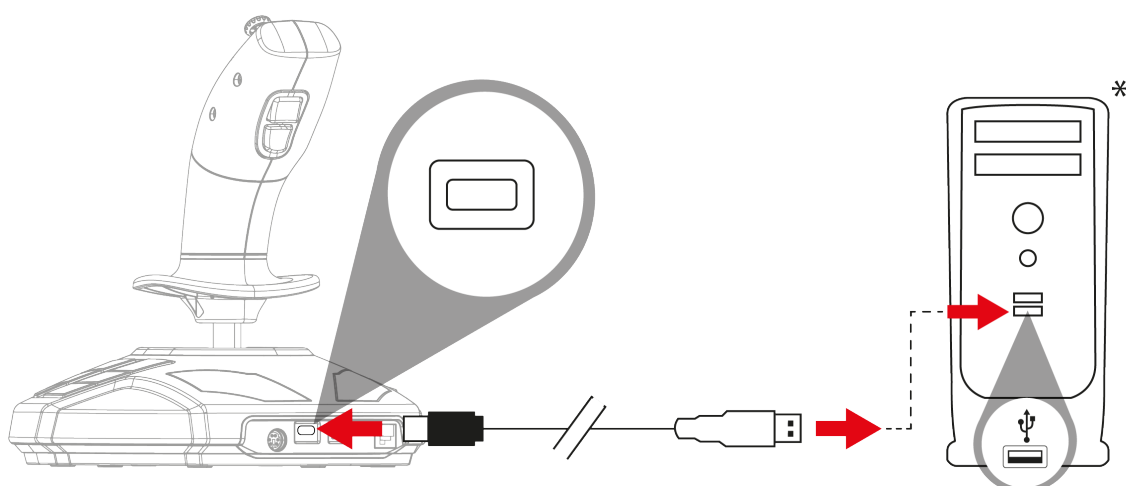
<https://support.thrustmaster.com/product/simtaskfarmstick-x/>.

2. Laden Sie den PC-Treiber und seine angepasste Schnittstelle für die Windows-Systemsteuerung herunter und installieren Sie ihn.

3. Sobald der PC-Treiber installiert ist, stellen Sie den Schalter **19** auf der Rückseite des Joysticks auf die Position PC.



4. Stecken Sie das USB-C – USB-A-Kabel in den USB-C-Anschluss des Joysticks **18** und in einen der USB-A-Anschlüsse des PCs\*.



*\*nicht im Lieferumfang enthalten*



5. Wählen Sie **Start / Einstellungen / Systemsteuerung** und doppelklicken Sie auf **Gamecontroller**. Im Dialogfeld **Gamecontroller** wird der Name des Joysticks mit dem Status **OK** angezeigt.
6. Klicken Sie im Fenster der **Systemsteuerung** auf **Eigenschaften**, um alle Funktionen zu testen und anzuzeigen. Sie können auch den Rechtshänder-Modus (Standard) oder den Linkshänder-Modus auswählen.

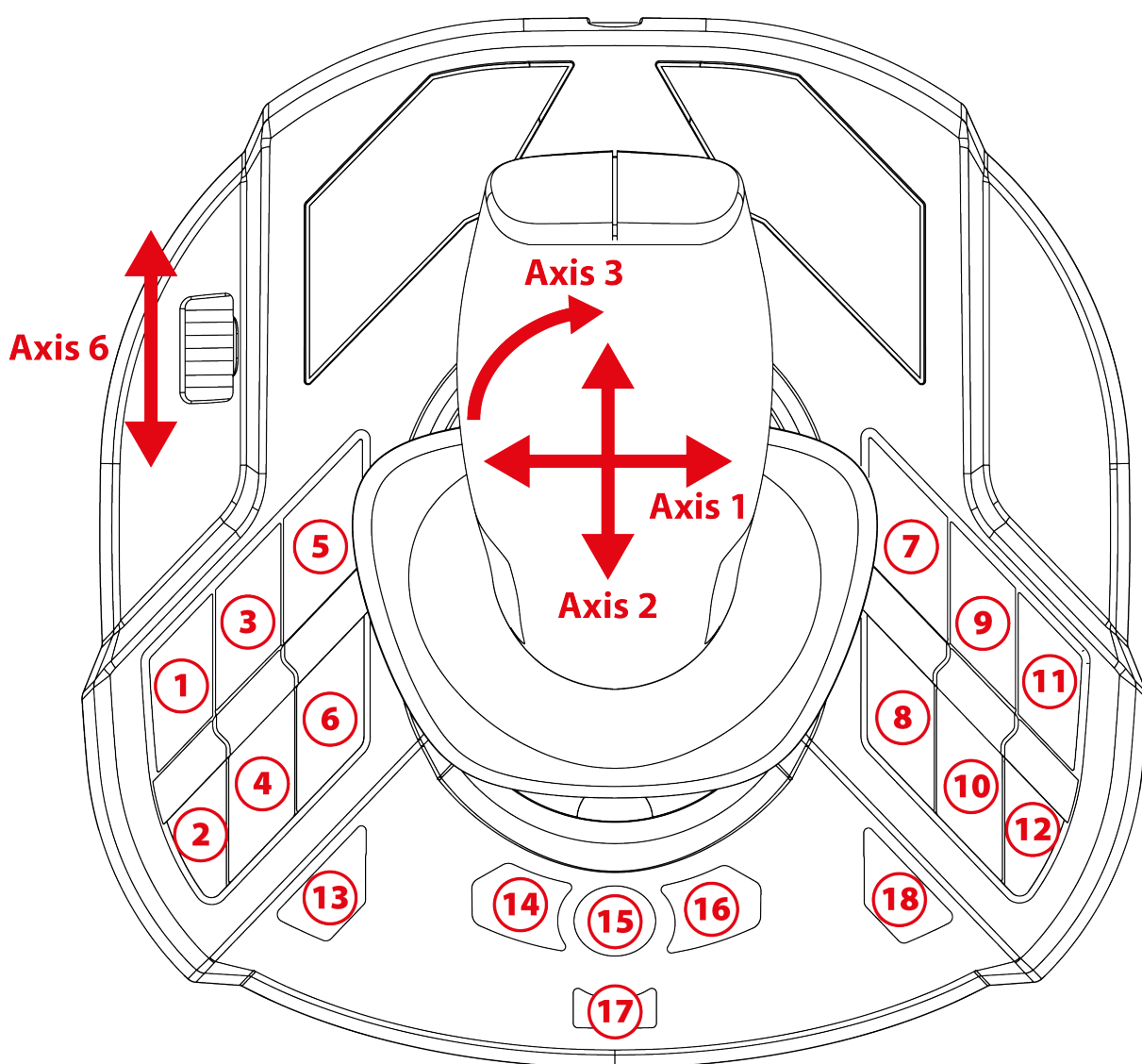
Sie können jetzt mit dem Spiel beginnen!



Wenn Sie Ihren Joystick anschließen, halten Sie den Griff immer in seiner zentralen Position und bewegen oder drehen Sie ihn nicht, um Kalibrierungsprobleme zu vermeiden.

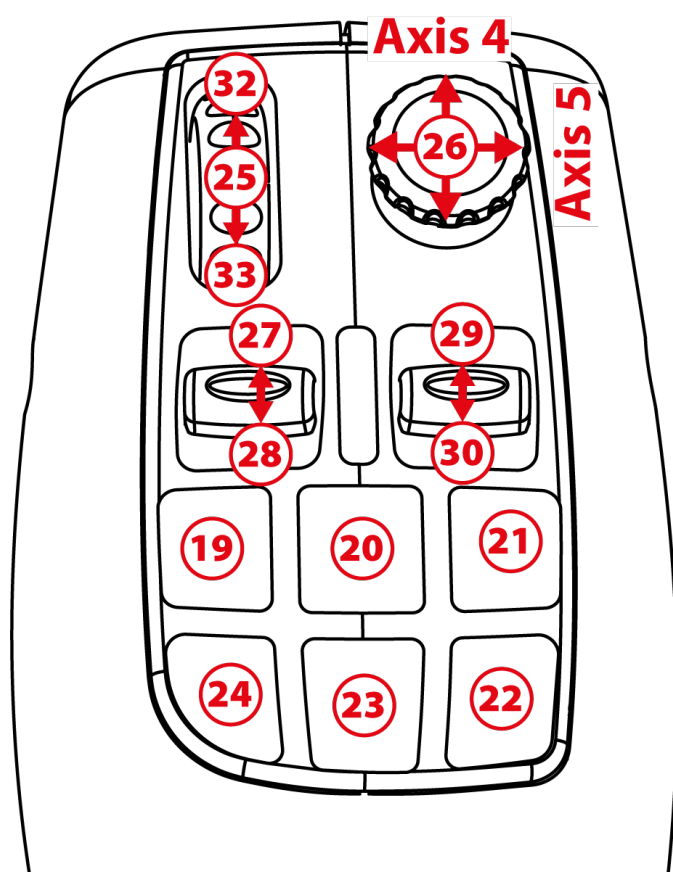


## 8. Belegung beim PC

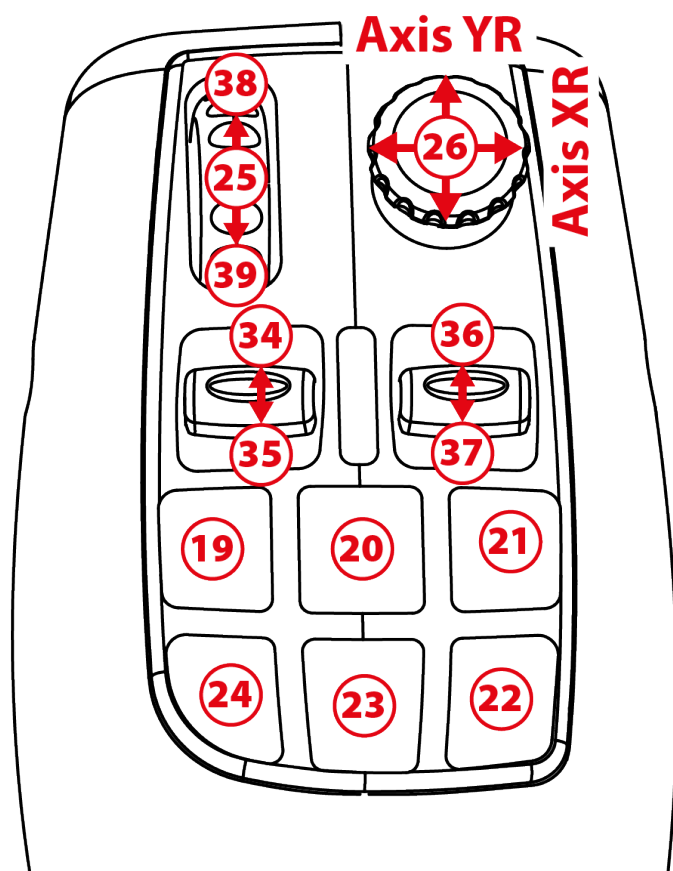


Die Belegung ist im Rechtshänder- und Linkshänder-Modus identisch.

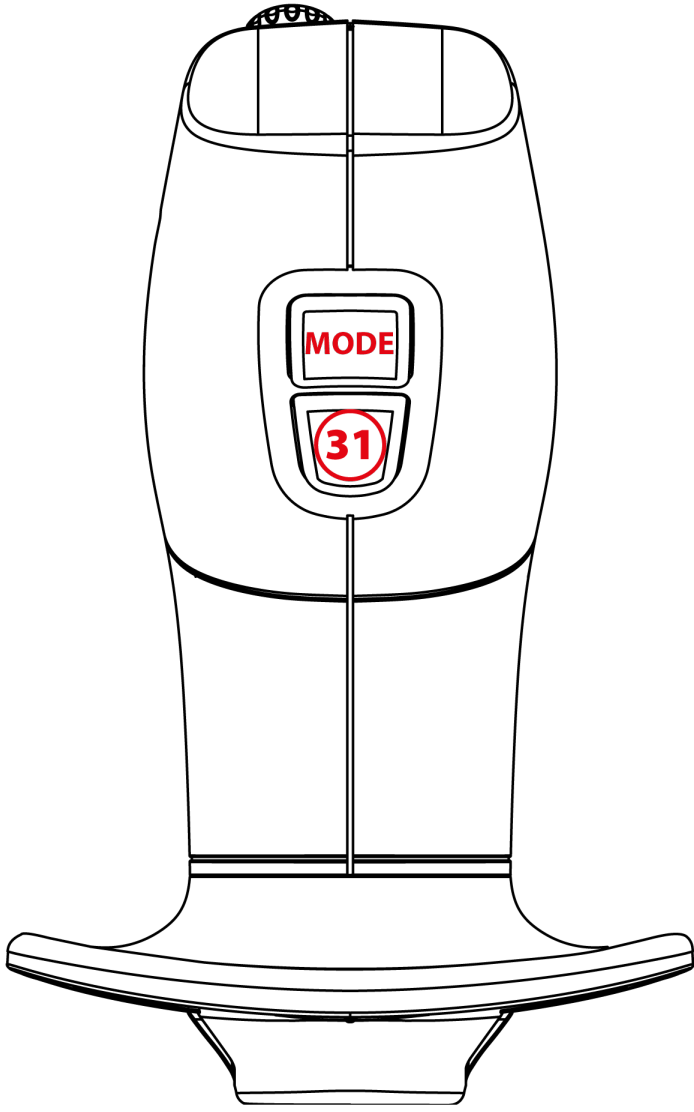
Der Rechtshänder- (Standard) oder Linkshänder-Modus kann **mit diesem Verfahren** oder über die **Systemsteuerung** ausgewählt werden. Wenn Sie zwei Joysticks gleichzeitig verwenden, hilft Ihnen dieser Modus bei der Unterscheidung der beiden.



**Fahrmodus**



**Arbeitsmodus**

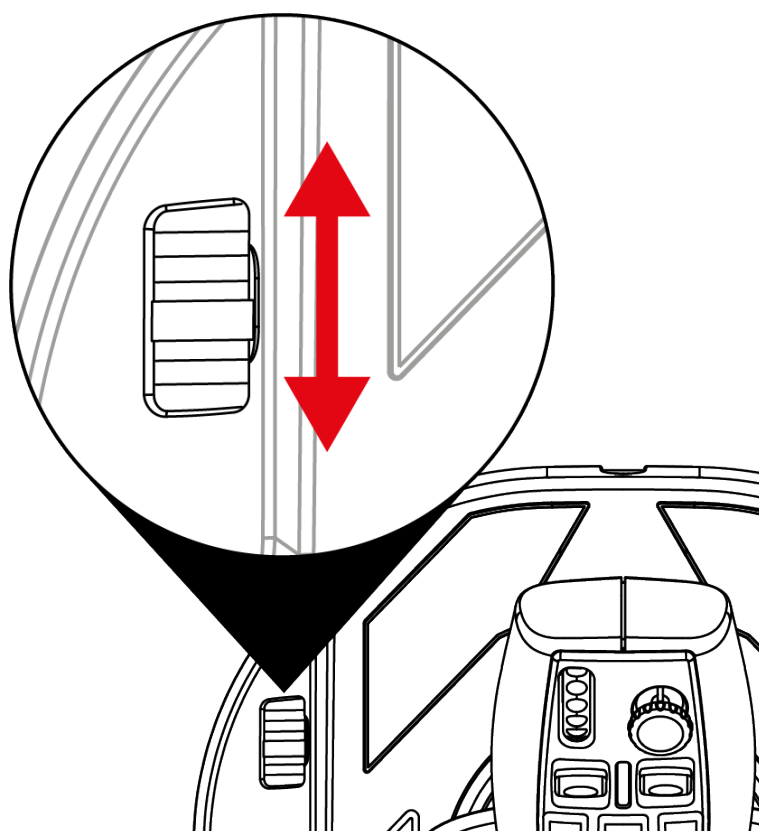






## 9. Gashebel

Ihr Joystick verfügt über einen Gashebel **8**, mit dem Sie die Motordrehzahl leicht steuern können.

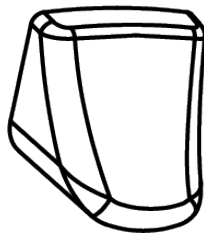




## 10. Austauschbarer Trigger

Ihr Joystick verfügt über einen austauschbaren Aktions-Trigger **16**, der verschiedene Spielergonomien ermöglicht.

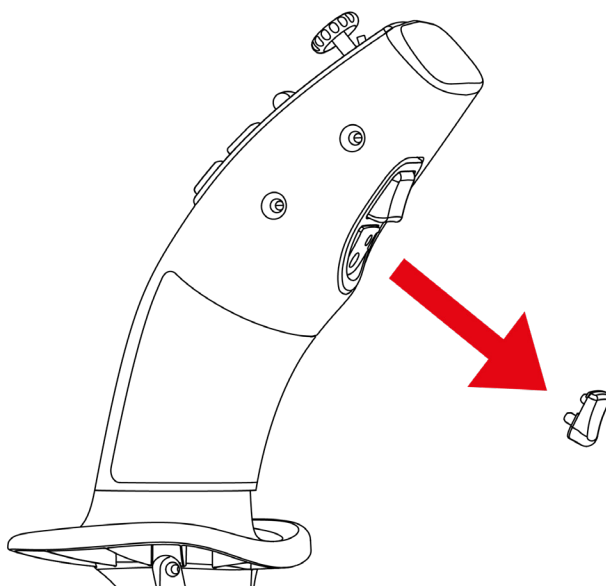
Der standardmäßig installierte Trigger kann durch einen für Flugsimulationen geeigneten Trigger ersetzt werden (im Lieferumfang des SimTask FarmStick enthalten).



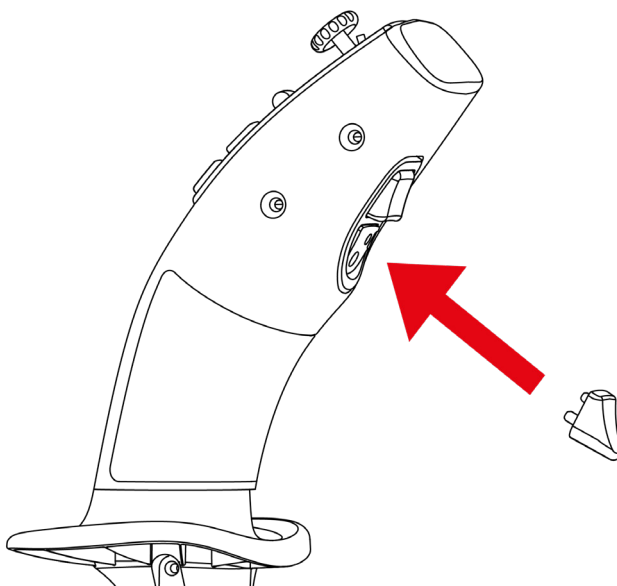


So wechseln Sie den Trigger:

1. Legen Sie Ihre Finger auf beide Seiten des Triggers und ziehen Sie ihn vorsichtig ab.



2. Setzen Sie den neuen Trigger in die passende Position ein.



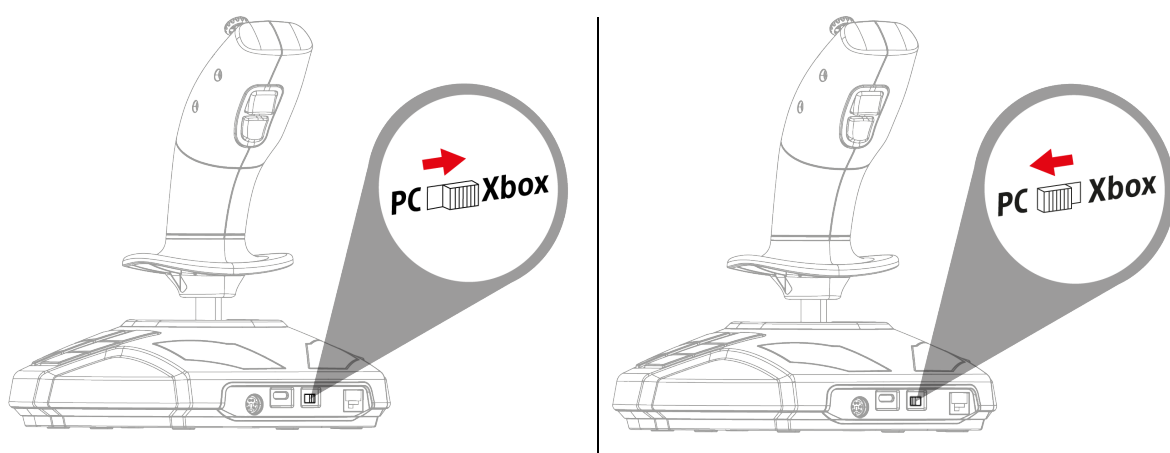
Die Zentrierstifte müssen in ihre Position im Stick passen. Drücken Sie den Trigger nicht mit Gewalt hinein, da dies die Stifte beschädigen könnte.



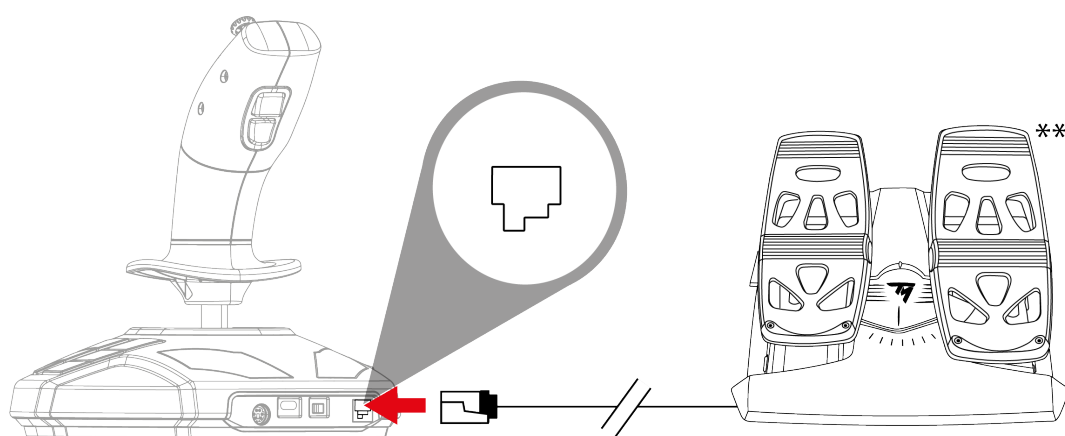
# 11. Installation auf Xbox Series X|S\* oder PC\* mit einem TFRP-Ruder\*\*

Das TFRP\*\*-Ruder wird an den SimTask FarmStick angeschlossen.

1. Stellen Sie den Schalter 19 auf der Rückseite des Joysticks auf die Position Xbox oder PC.



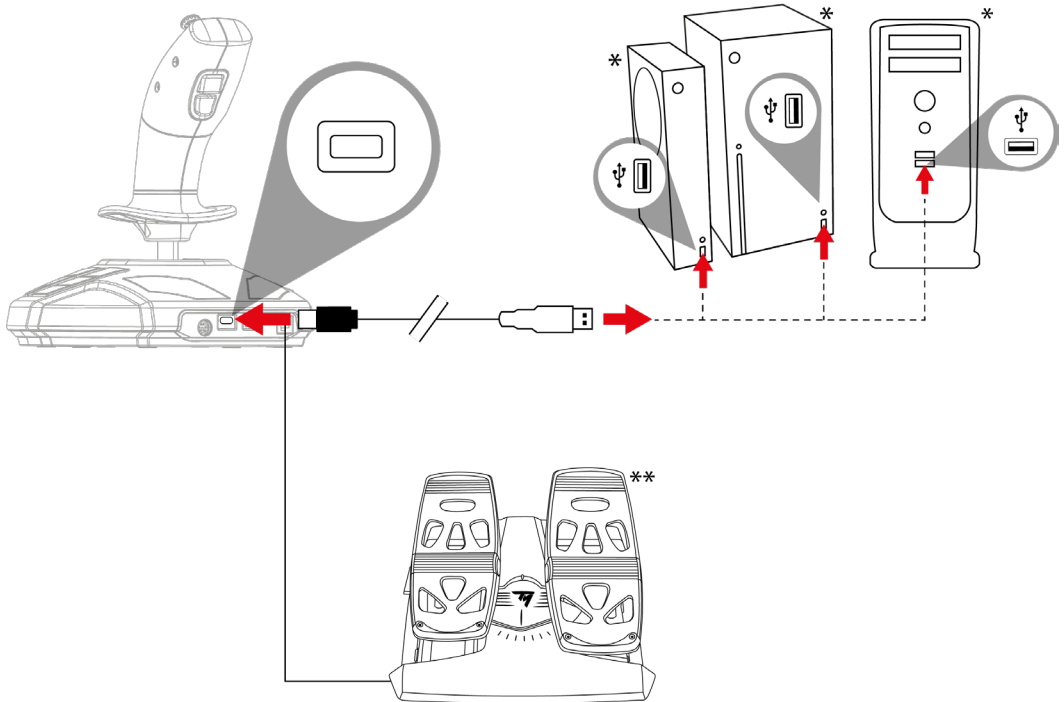
2. Stecken Sie das RJ12-Kabel des TFRP-Ruders\*\* in den RJ12-Anschluss 20 auf der Rückseite des Joysticks.



*\*nicht im Lieferumfang enthalten / \*\*separat erhältlich*



3. Stecken Sie das USB-C – USB-A-Kabel in den USB-C-Anschluss des Joysticks 18 und in den USB-A-Anschluss der Konsole\* oder des PCs\*.



- Wenn Sie Ihren Joystick anschließen, halten Sie den Griff immer in seiner zentralen Position und bewegen oder drehen Sie ihn nicht, um Kalibrierungsprobleme zu vermeiden.
- Wenn Sie Ihr Ruder an den Joystick anschließen: Halten Sie die Ruderachse immer in der zentralen Position und stellen Sie Ihre Füße nicht auf die Ruderpedale, um Kalibrierungsprobleme zu vermeiden.

*\*nicht im Lieferumfang enthalten / \*\*separat erhältlich*



## 12.FAQ und technischer Support

### *Mein Joystick funktioniert nicht richtig oder scheint nicht richtig kalibriert zu sein.*

- Schalten Sie Ihre Konsole oder Ihren Computer aus und trennen Sie den Joystick; schalten Sie dann Ihre Konsole oder Ihren Computer wieder ein, schließen Sie den Joystick wieder an und starten Sie das Spiel neu.
- Wenn Sie Ihren Joystick anschließen, halten Sie den Griff immer in seiner zentralen Position und bewegen oder drehen Sie ihn nicht, um Kalibrierungsprobleme zu vermeiden.
- Wenn Sie Ihr Ruder an den Joystick anschließen: Halten Sie die Ruderachse immer in der zentralen Position und stellen Sie Ihre Füße nicht auf die Ruderpedale, um Kalibrierungsprobleme zu vermeiden.



## *Ich kann meinen Joystick nicht konfigurieren.*

- Wählen Sie im **Menü Optionen / Controller / Gamepad** oder **Joystick** Ihres Spiels die entsprechende Konfiguration aus oder konfigurieren Sie die Steuerungsoptionen komplett neu.
- Weitere Informationen finden Sie im Benutzerhandbuch Ihres Spiels oder in der Online-Hilfe.



## *Mein Joystick ist zu empfindlich oder nicht empfindlich genug.*

- Ihr Joystick kalibriert sich selbständig, sobald Sie einige Bewegungen entlang der verschiedenen Achsen ausgeführt haben.
- Im Menü **Optionen / Controller / Gamepad** oder **Joystick** Ihres Spiels: Passen Sie die Empfindlichkeit und die Totzonen für Ihren Joystick an (falls diese Optionen verfügbar sind).

Haben Sie Fragen zum SimTask FarmStick oder haben Sie technische Probleme? Dann besuchen Sie bitte die Website des technischen Supports von Thrustmaster:  
<https://support.thrustmaster.com/product/simtask-farmstick-x/>.





# **THRUSTMASTER®**



# **SIMTASK FARMSTICK**

**XBOX SERIES X|S – PC**

## **Handleiding**



**Lees zorgvuldig** de instructies in deze handleiding **voordat** u het product installeert, **voordat** u het product gebruikt en **voordat** u onderhoud uitvoert. Volg de veiligheidsvoorschriften. Als u deze instructies niet opvolgt, bestaat de kans op ongelukken en/of schade. Bewaar deze handleiding zodat u de instructies in de toekomst kunt raadplegen.

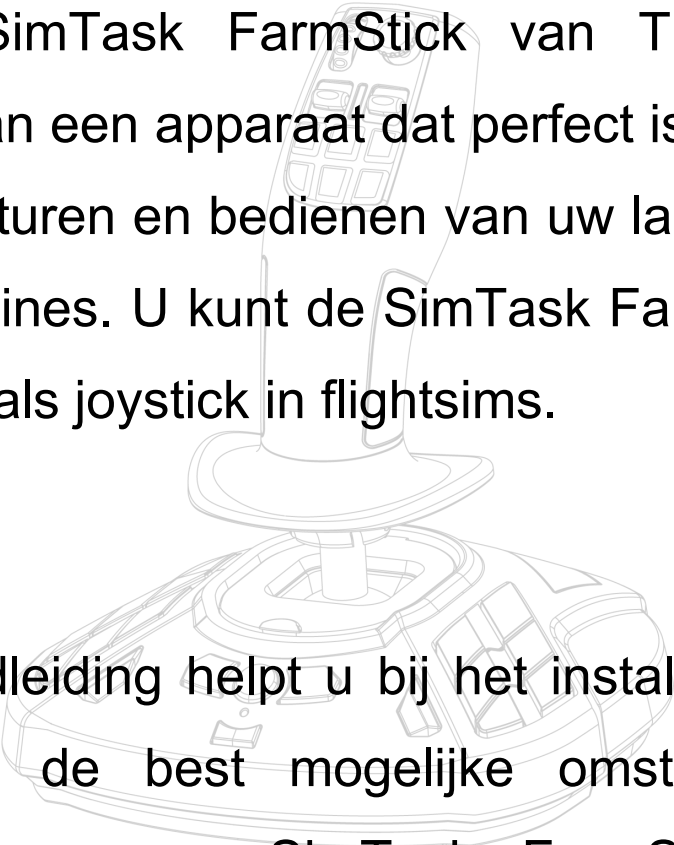
# INHOUDSOPGAVE

<b>1. INHOUD VAN DE VERPAKKING.....</b>	<b>5</b>
<b>2. FUNCTIES.....</b>	<b>6</b>
<b>3. INFORMATIE MET BETREKKING TOT GEBRUIK.....</b>	<b>9</b>
<b>4. DE DIVERSE FUNCTIES VAN DE JOYSTICK .....</b>	<b>12</b>
<i>Belangrijke punten .....</i>	<i>12</i>
<i>H.E.A.R.T. (HallEffect AccuRate Technology)- precisietechnologie.....</i>	<i>13</i>
<i>Rijmodus &lt;&gt; werkmodus.....</i>	<i>14</i>
<i>Draaibare handgreep .....</i>	<i>17</i>
<i>Point-of-view mini-stick.....</i>	<i>18</i>
<i>SimTask FarmStick-connectiviteit op Xbox Series X S* en de PC*.....</i>	<i>19</i>
<i>Configuratie van rechts- en linkshandige joystick .....</i>	<i>21</i>

<b>5.</b>	<b>INSTALLATIE OP XBOX SERIES X S .....</b>	<b>24</b>
<b>6.</b>	<b>XBOX-MAPPING .....</b>	<b>26</b>
<b>7.</b>	<b>INSTALLATIE OP DE PC .....</b>	<b>29</b>
<b>8.</b>	<b>PC-MAPPING.....</b>	<b>31</b>
<b>9.</b>	<b>THROTTLE .....</b>	<b>34</b>
<b>10.</b>	<b>VERWISSELBARE TRIGGER.....</b>	<b>35</b>
<b>11.</b>	<b>INSTALLATIE OP XBOX SERIES X S* OF DE PC* MET HET TFRP-ROER** .....</b>	<b>37</b>
<b>12.</b>	<b>FAQ EN TECHNISCHE ONDERSTEUNING.....</b>	<b>39</b>



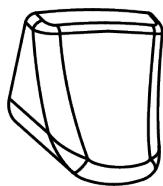
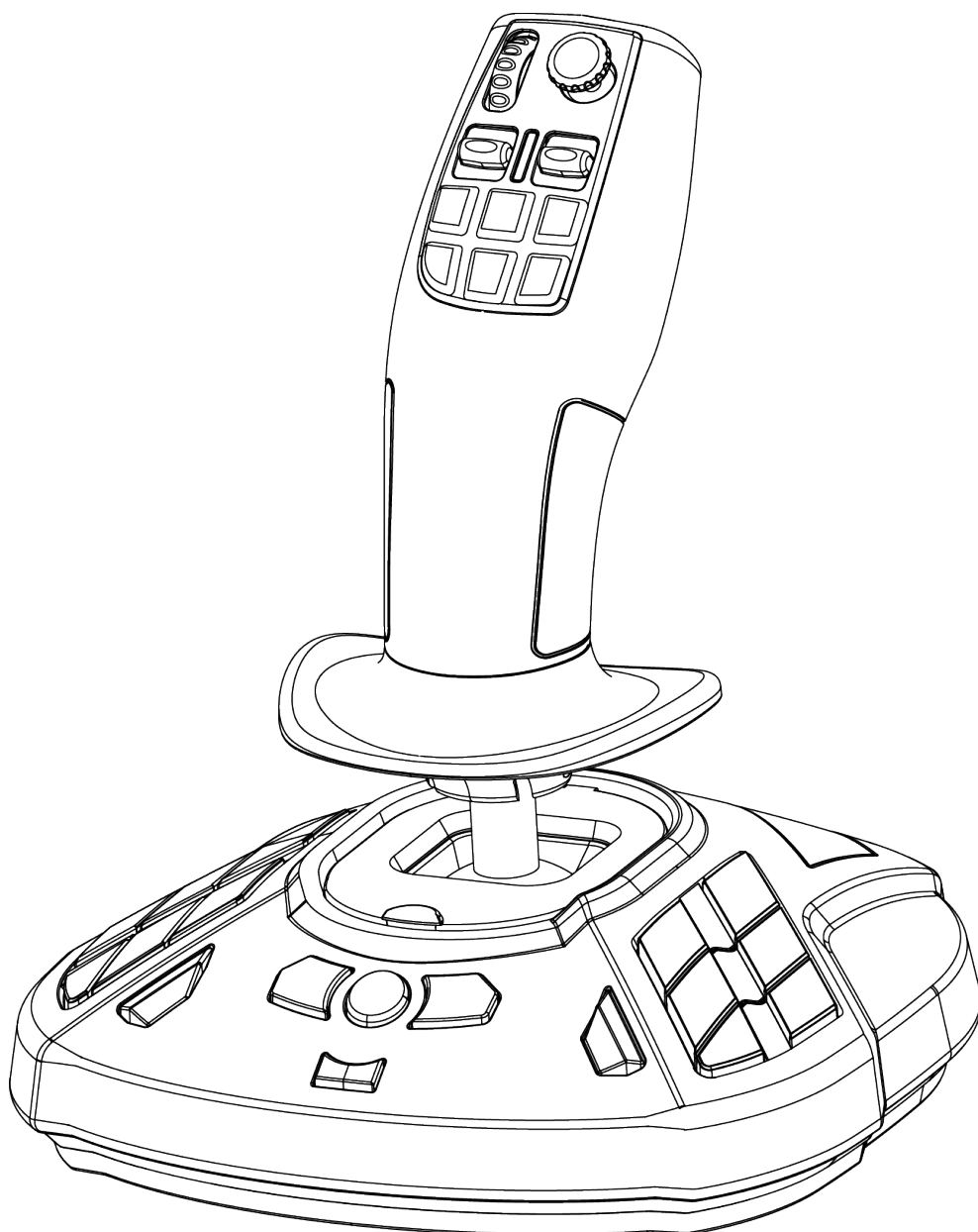
Met de SimTask FarmStick van Thrustmaster geniet u van een apparaat dat perfect is afgestemd op het besturen en bedienen van uw landbouw- en bouwmachines. U kunt de SimTask FarmStick ook gebruiken als joystick in flightsims.



Deze handleiding helpt u bij het installeren en bij het onder de best mogelijke omstandigheden gebruiken van uw SimTask FarmStick. Lees, voordat u aan de slag gaat, zorgvuldig alle instructies en waarschuwingen: ze helpen u optimaal plezier uit uw product te halen.

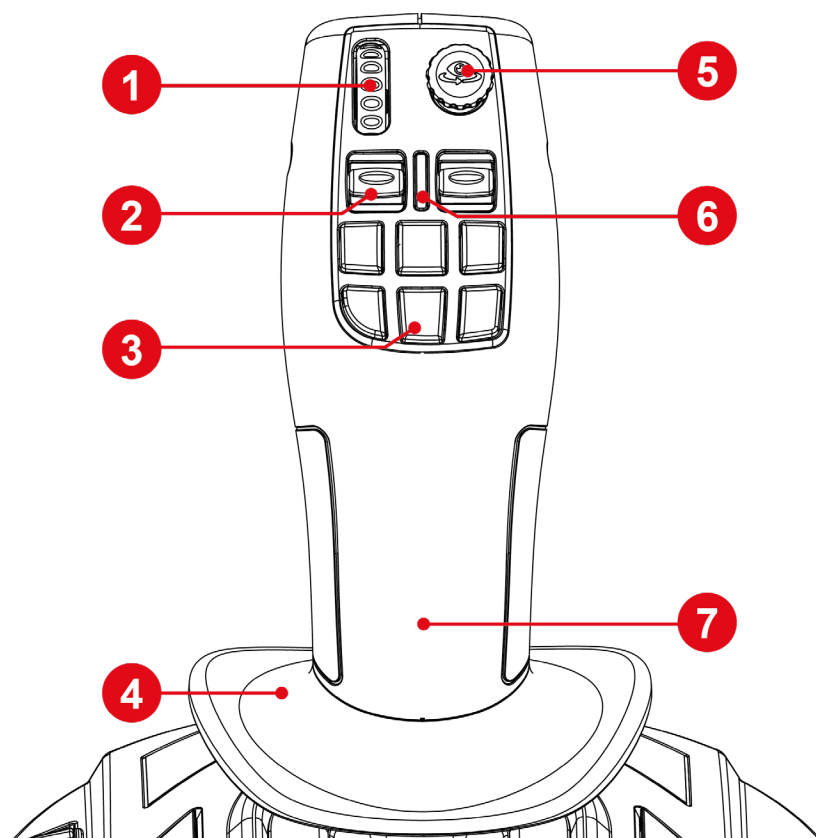


# 1. Inhoud van de verpakking

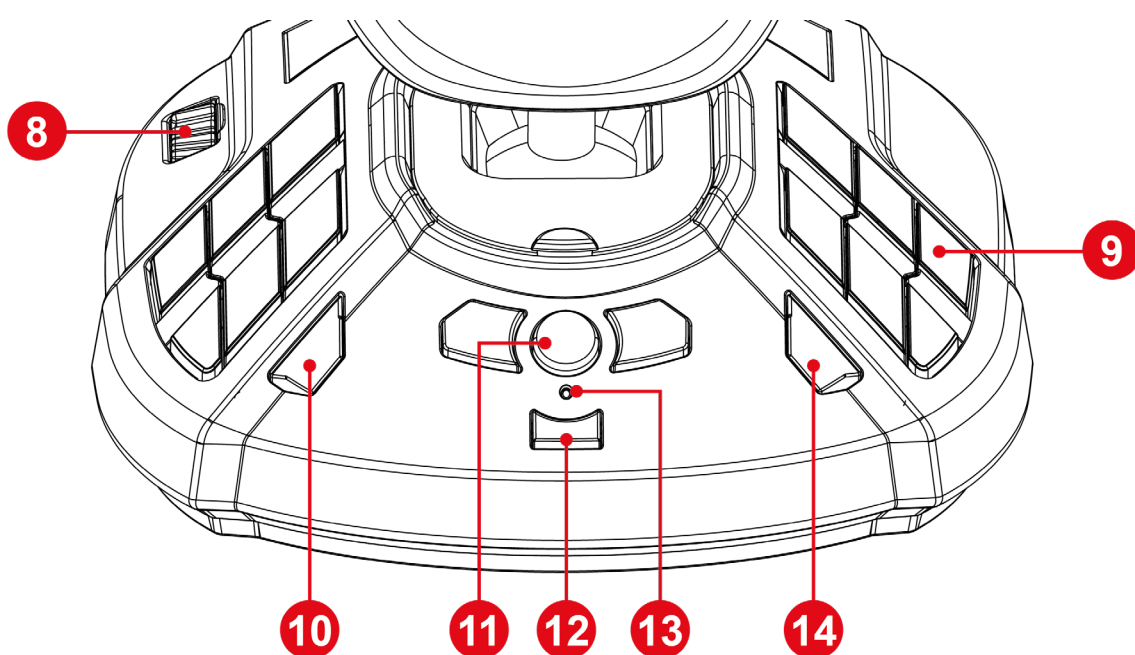




## 2. Functies



1. Duimwiel
2. Tuimelschakelaar
3. Drukknoppen voor snelle acties
4. Handsteun
5. Point-of-view mini-stick
6. Indicator-LED voor stick-modus
7. Greep voor rechts- en linkshandigen



8. Throttle

9. Programmeerbare actiedrukknoppen

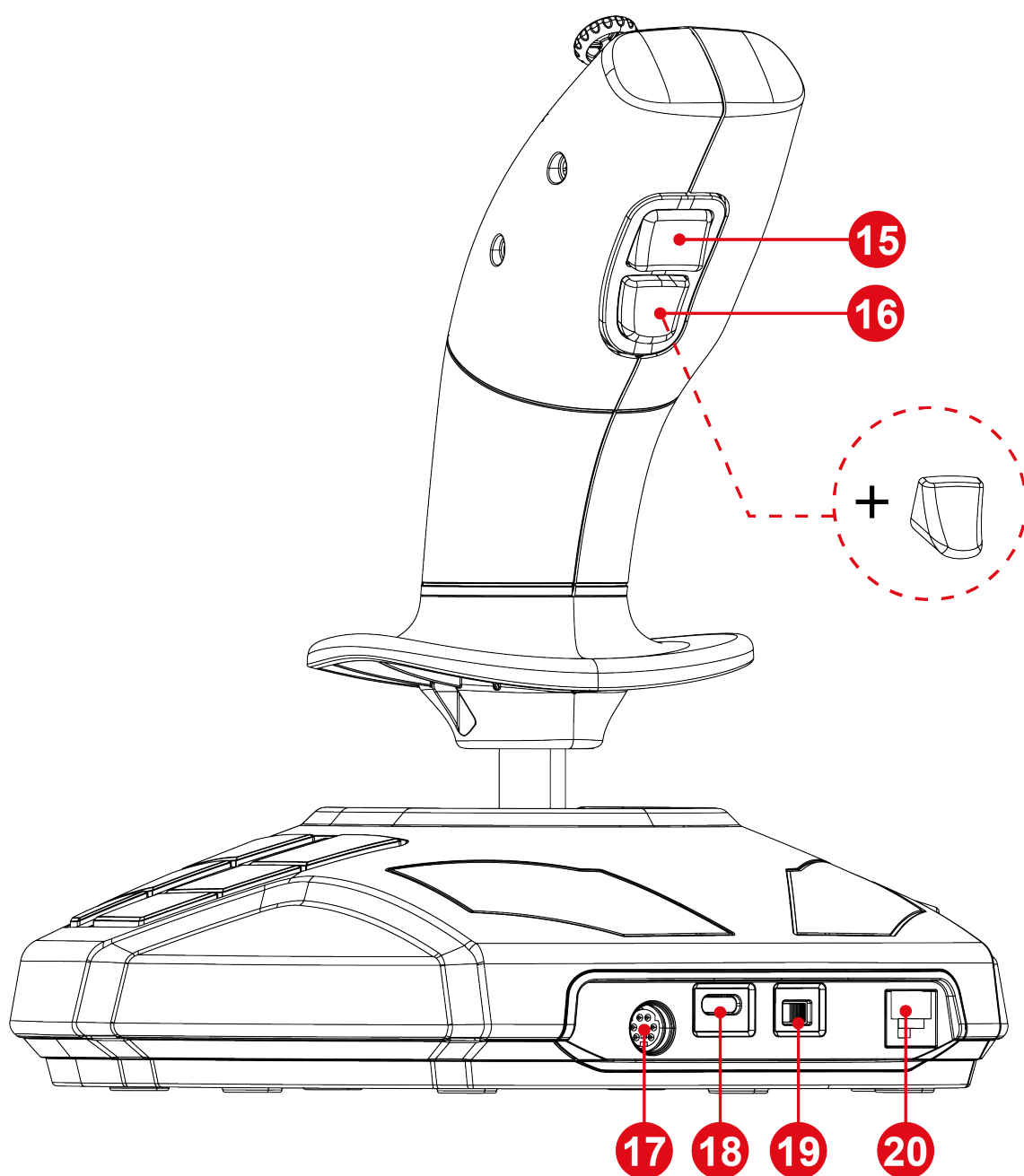
10. View-knop

11. Xbox-knop

12. Share (Delen)-knop

13. Indicatie-LED

14. Menu-knop



15. Knop voor wijzigen van stick-modus

16. Uitwisselbare actietrigger

17. DIN-poort voor extra accessoires\*

18. USB-C-poort

19. Xbox / PC-keuzeschakelaar

20. RJ12-poort voor TFRP-roer\*

*\*wordt apart verkocht*





### 3. Informatie met betrekking tot gebruik



#### **Documentatie**

Lees, voordat u dit product gebruikt, dit document nogmaals door en bewaar het om het eventueel op een later tijdstip te kunnen raadplegen.



### **Elektrische schok**

- Bewaar dit product op een droge plek, uit de zon en stofvrij.
- Let op de verbindingsrichtingen.
- Trek nooit te hard aan een kabel of connector, en voorkom het knikken van kabels.
- Mors geen vloeistoffen op het product of de connectoren.
- Veroorzaak geen kortsluiting.
- Haal het product niet elkaar, gooi het niet in het vuur en stel het niet bloot aan hoge temperaturen.
- Maak het product niet open. Binnen in het product bevinden zich geen door de gebruiker te onderhouden of te repareren onderdelen. Alle reparaties dienen te worden uitgevoerd door de fabrikant, een gespecificeerde vertegenwoordiging of een gekwalificeerd technicus.



### **Beveiligen van gebruikruimte**

- Plaats geen voorwerpen (bijvoorbeeld kop koffie, telefoon of sleutelbos) in de gebruikruimte die het handelen van de gebruiker kunnen verstoren of die een ongewenste beweging of een onderbreking door een andere persoon kunnen veroorzaken.
- Bedek de stroomkabels niet met een tapijt, kleed, deken of enig andere bedekking, en houd kabels uit de buurt van waar mensen zullen lopen.



## 4. De diverse functies van de joystick

### *Belangrijke punten*

- 33 drukknoppen en 6 virtuele drukknoppen waaronder een duimwiel en 2 tuimelschakelaars
- 6 assen, waaronder een mini-stick, de draai-as van de joystick-greep en een throttle
- Indicator-LED voor stick-modus
- H.E.A.R.T. (HallEffect AccuRate Technology)-technologie
- Aansluiting op USB-A-poort
- Throttle
- RJ12-poort voor TFRP-roer\*

*\*wordt apart verkocht*



## ***H.E.A.R.T. (HallEffect AccuRate Technology)-precisietechnologie***

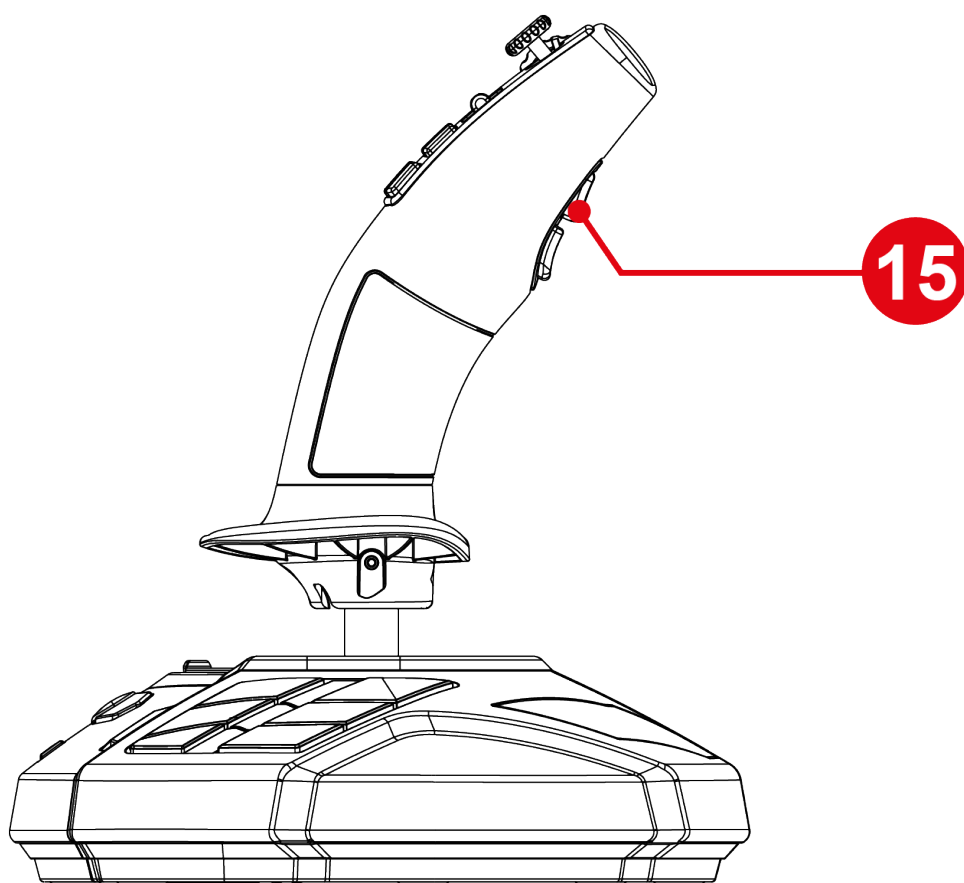
De SimTask FarmStick is uitgerust met technologie die garant staat voor nauwkeurigheid die uniek is in de wereld van joysticks, waaronder:

- 3D (Hall Effect) magnetische sensoren op de stick, met een resolutie van meer dan 268 miljoen waarden over alle X- en Y-assen (16.384 x 16.384 waarden).
- Een magneet: geen wrijving, voor onbeperkte nauwkeurigheid en ongelooflijk snelle en blijvende reactiviteit.
- Een spiraalveer op de stick (2,8 mm): voor stevige, lineaire en uiterste vloeiende weerstand.



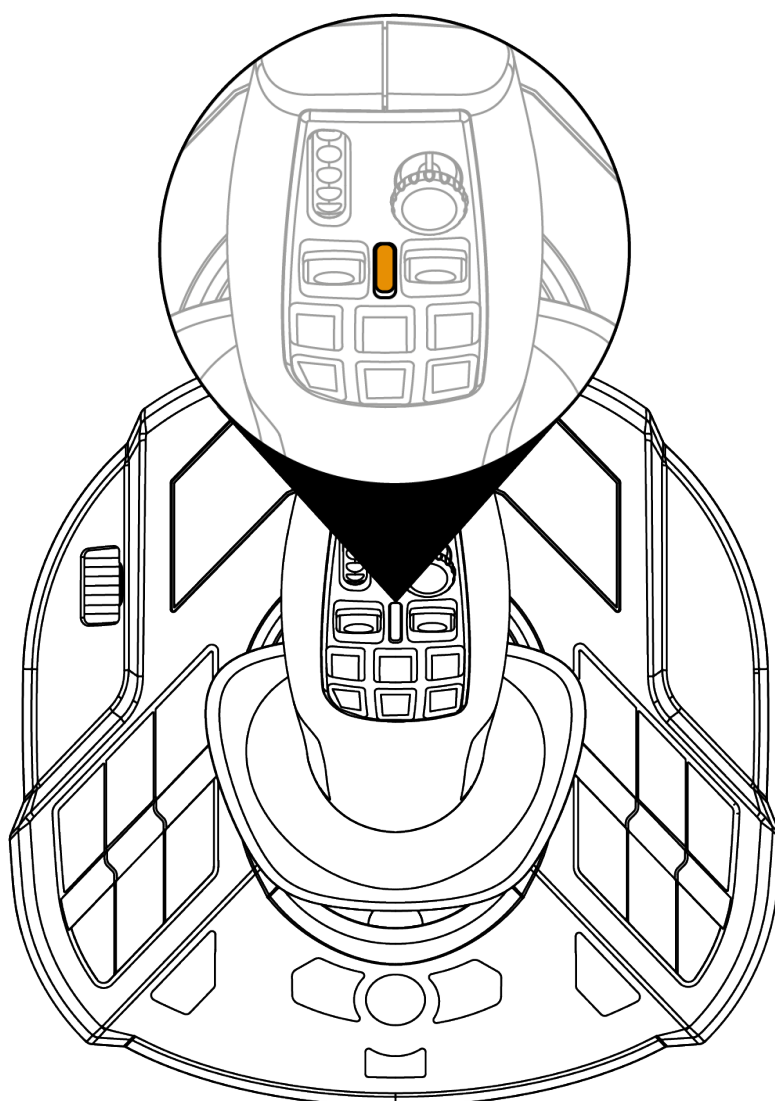
## Rijmodus <math>\leftrightarrow</math> werkmodus

Met drukknop **15** wisselt u tussen de **Rijmodus** en de **Werkmodus**.



Deze functie vergroot het aantal acties die met de duim kunnen worden uitgevoerd, d.w.z. via het duimwiel **1** en de 2 tuimelschakelaars **2**.

Als u van modus wisselt, wijzigt de actie die gekoppeld is aan het duimwiel **1** en de 2 tuimelschakelaars **2**.



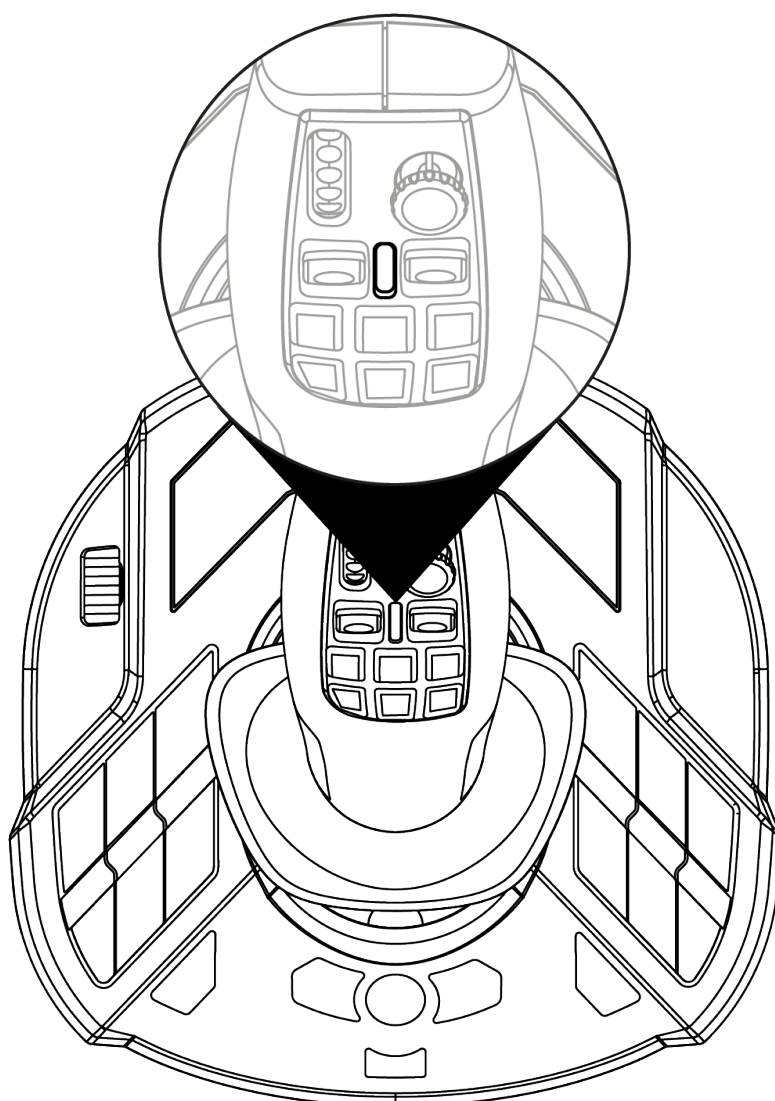
### Rijmodus (standaard)

In de **Rijmodus** gaat de indicator-LED voor de stickmodus **6** oranje branden.



In de **Rijmodus** kunnen de volgende acties zijn gekoppeld aan het duimwiel **1** en de tuimelschakelaars **2** :

- Duimwiel: bedient het instelpunt.
- Tuimelschakelaars: bedienen de versnellingsbak.



## Werkmodus

In de Werkmodus gaat de indicator-LED voor de stickmodus **6** wit branden.



In de **Werkmodus** kunnen de volgende acties zijn gekoppeld aan het duimwiel **1** en de tuimelschakelaars **2** :

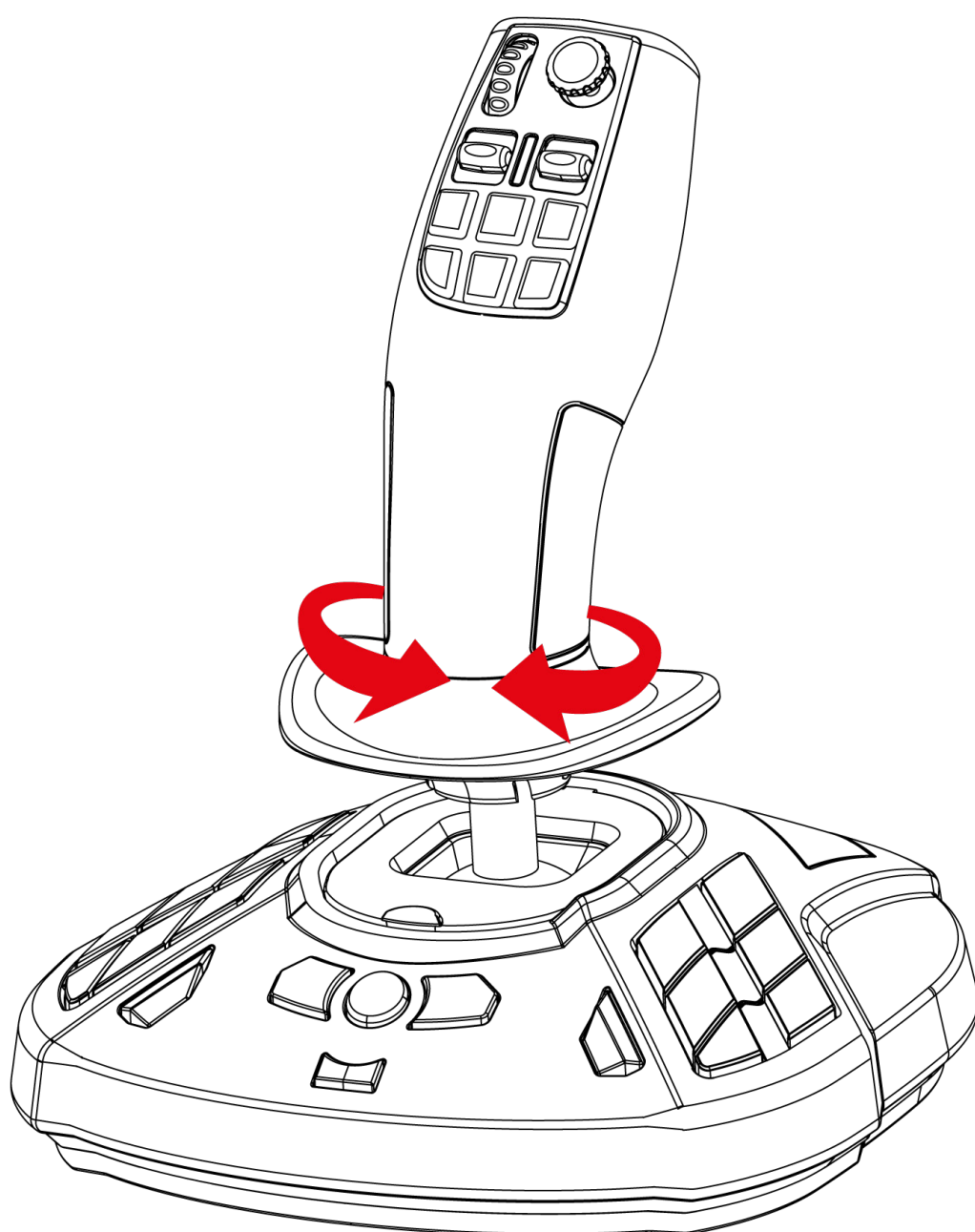
- Duimwiel: bedient de camera-zoom.
- Tuimelschakelaars: bedienen hefarmen of voorzetstukken.





## *Draaibare handgreep*

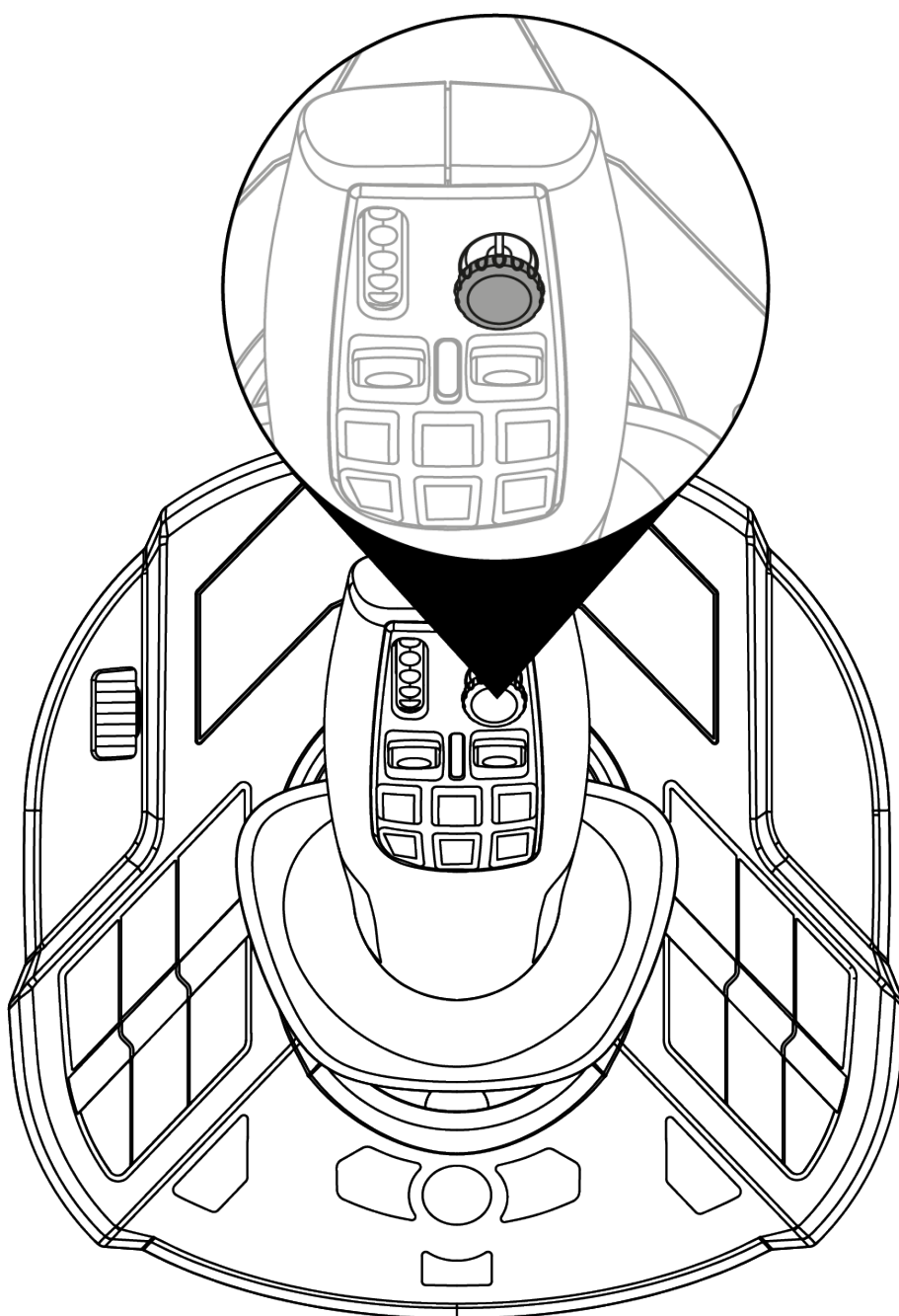
De SimTask FarmStick heeft een handgreep die om zijn horizontale as draait. Dit is handig voor het manoeuvreren van bijvoorbeeld een kraanarm of een graafmachine.





## *Point-of-view mini-stick*

De SimTask FarmStick beschikt over een point-of-view mini-stick ⑤ waarmee u kunt zien wat zich in het gezichtsveld van de machinist bevindt.





## ***SimTask FarmStick-connectiviteit op Xbox Series X|S\* en de PC\****

De SimTask FarmStick heeft zes assen, maar biedt de mogelijkheid om een TFRP\*\*-roer achterop de joystick aan te sluiten. Dit biedt u niet alleen twee extra assen, maar ook roerbesturing met de TFRP.

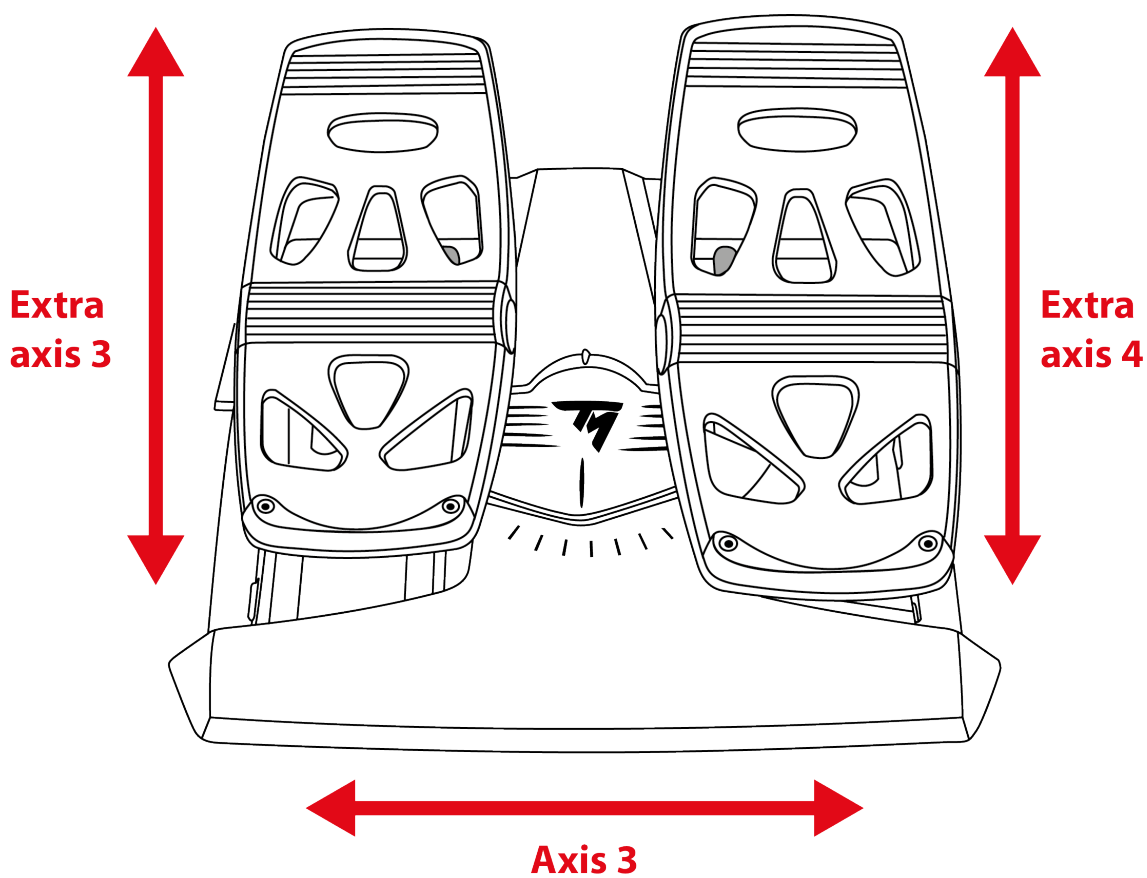


Het TFRP-roer is het enige apparaat dat wordt ondersteund op Xbox Series X|S en de PC.

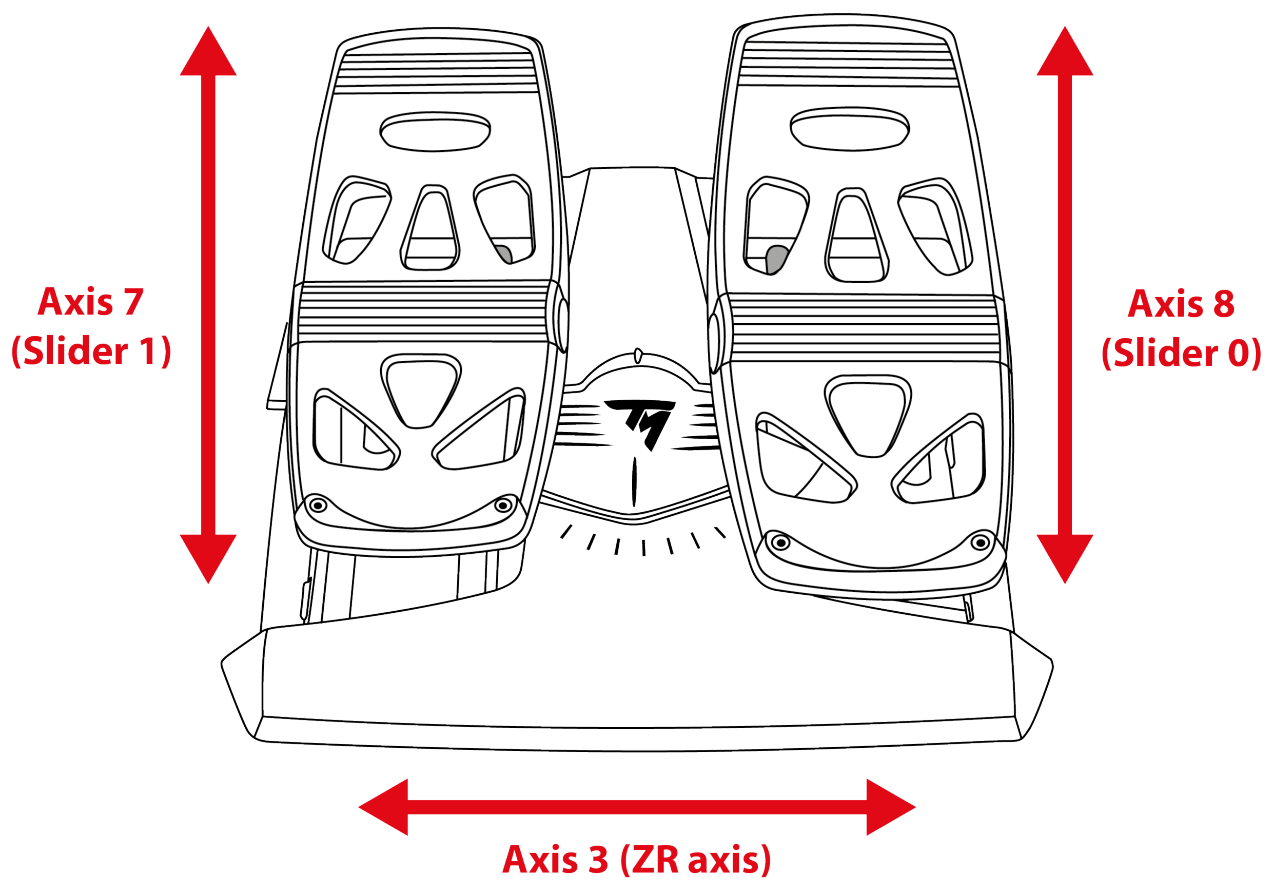
*\*niet meegeleverd / \*\*wordt apart verkocht*



Mapping voor Xbox:



Mapping voor de PC:





## ***Configuratie van rechts- en linkshandige joystick***

Uw SimTask FarmStick past zich naadloos aan alle gamers aan, of ze nu rechts- of linkshandig zijn.

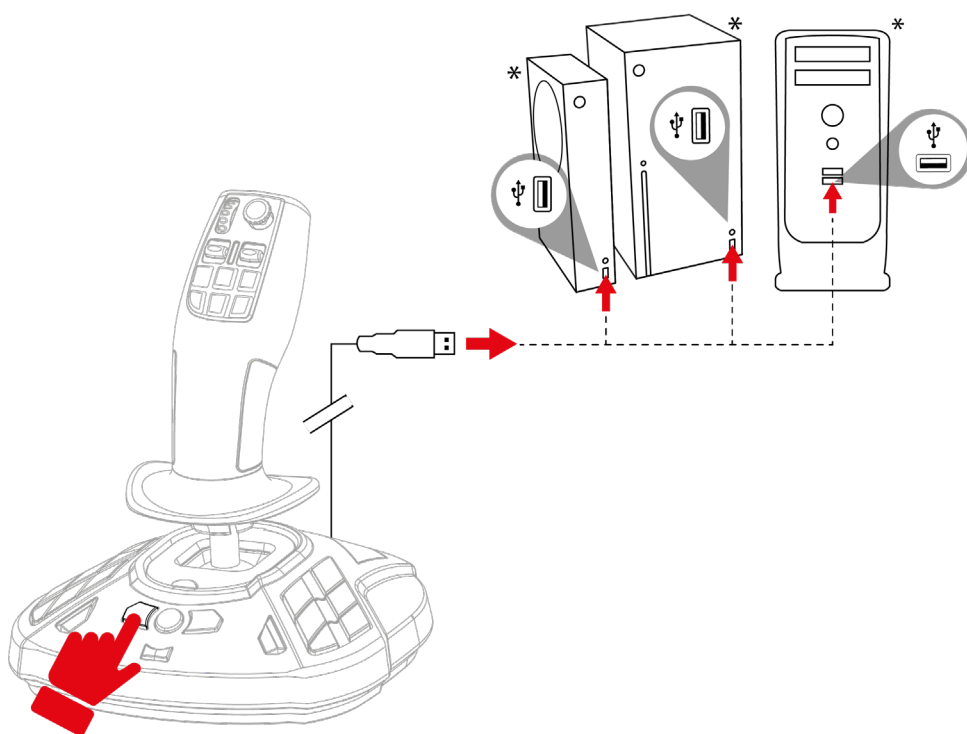
Standaard staat de joystick ingesteld op rechtshandigen.



Om de joystick in de LINKSHANDIGE modus te zetten:

1. Houd knop 14 (op de PC) of knop Prev (op Xbox Series X|S) ingedrukt wanneer u uw SimTask FarmStick aansluit op uw Xbox Series X|S of PC.

De indicatie-LED ⑥ van de stick knippert gedurende vijf seconden wit.



2. Laat knop 14 (op de PC) of knop Prev (op Xbox Series X|S) los.



De modus voor LINKSHANDIGEN wordt automatisch opgeslagen in het interne geheugen van de SimTask FarmStick.

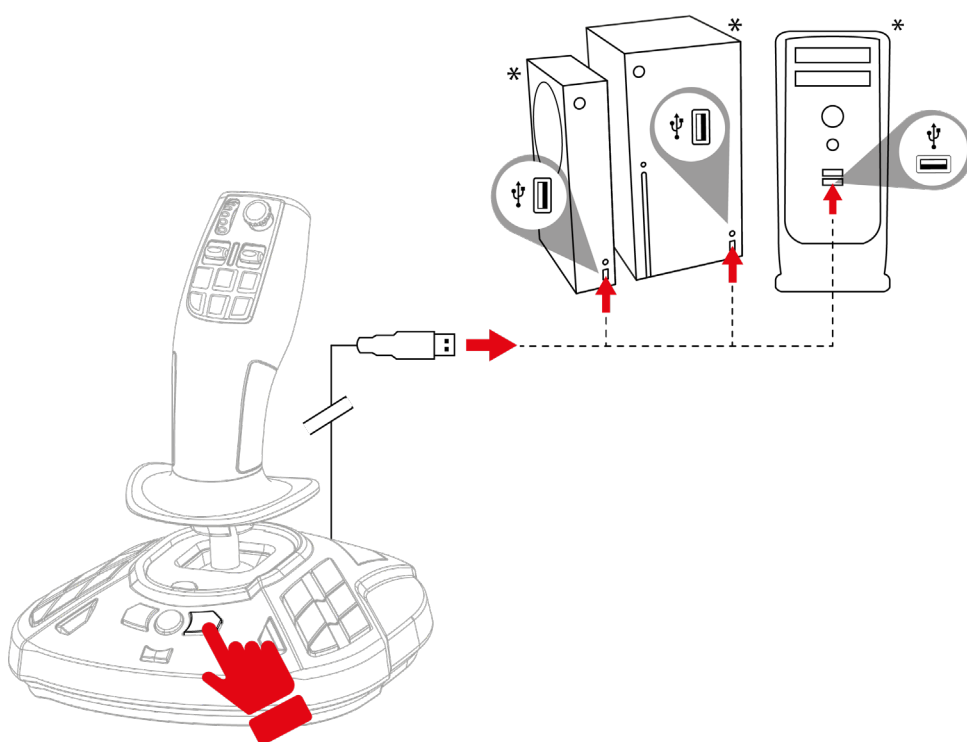
*\*niet meegeleverd*



Om de joystick in de RECHTSHANDIGE modus te zetten:

1. Houd knop 16 (op de PC) of knop Next (op Xbox Series X|S) ingedrukt wanneer u uw SimTask FarmStick aansluit op uw Xbox Series X|S of PC.

De indicatie-LED ⑥ van de stick knippert gedurende vijf seconden oranje.



2. Laat knop 16 (op de PC) of knop Next (op Xbox Series X|S) los.



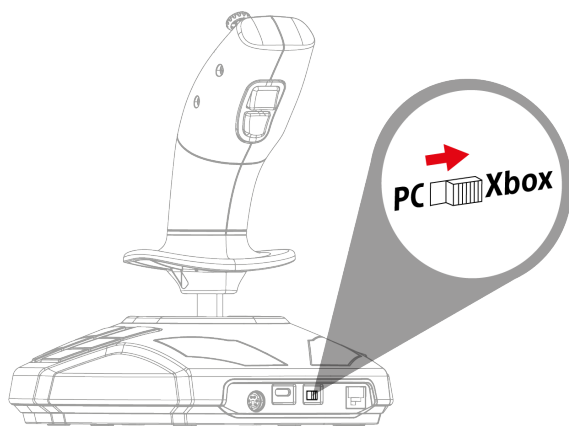
De modus voor RECHTSHANDIGEN wordt automatisch opgeslagen in het interne geheugen van de SimTask FarmStick.

*\*niet meegeleverd*

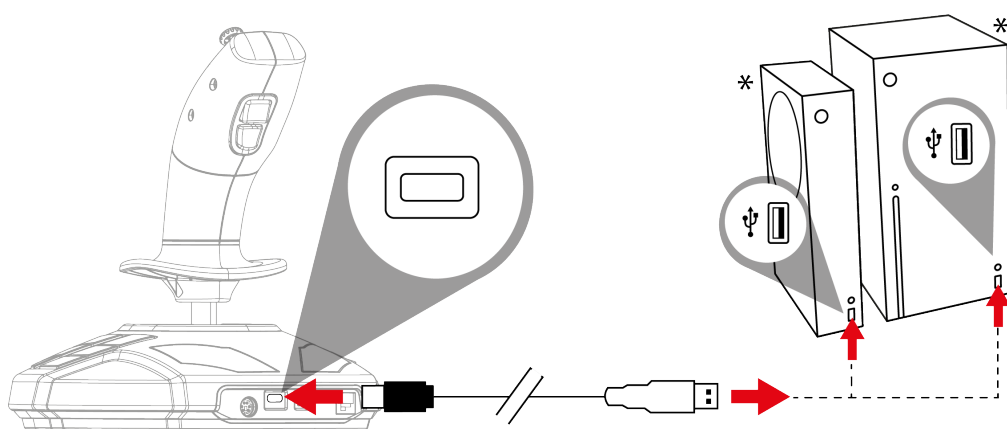


## 5. Installatie op Xbox Series X|S

1. Zet de keuzeschakelaar **19** achterop de joystick in de stand Xbox.



2. Steek de USB-C – USB-A-kabel in de USB-C-poort van de joystick **18** en in een van de USB-A-poorten van de console\*.

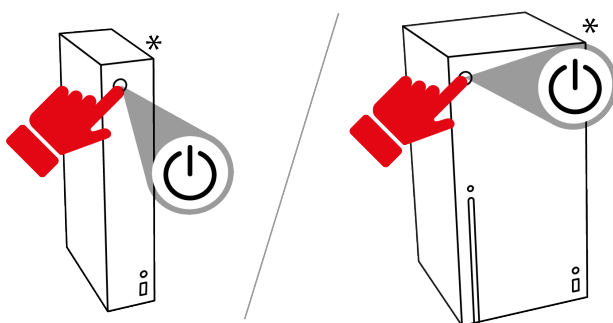


*\*niet meegeleverd*

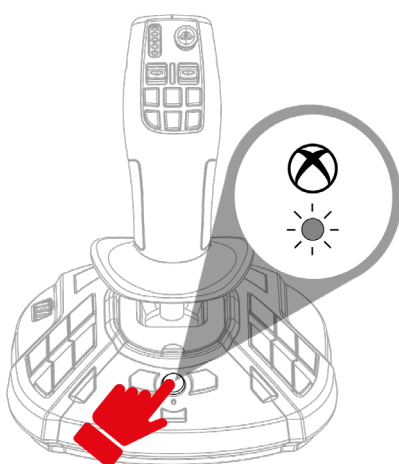




3. Zet de console aan.



4. Druk op de Xbox-knop. De LED van de joystick gaat wit branden.



5. Start een compatibele game.

Nu kan er gespeeld worden!

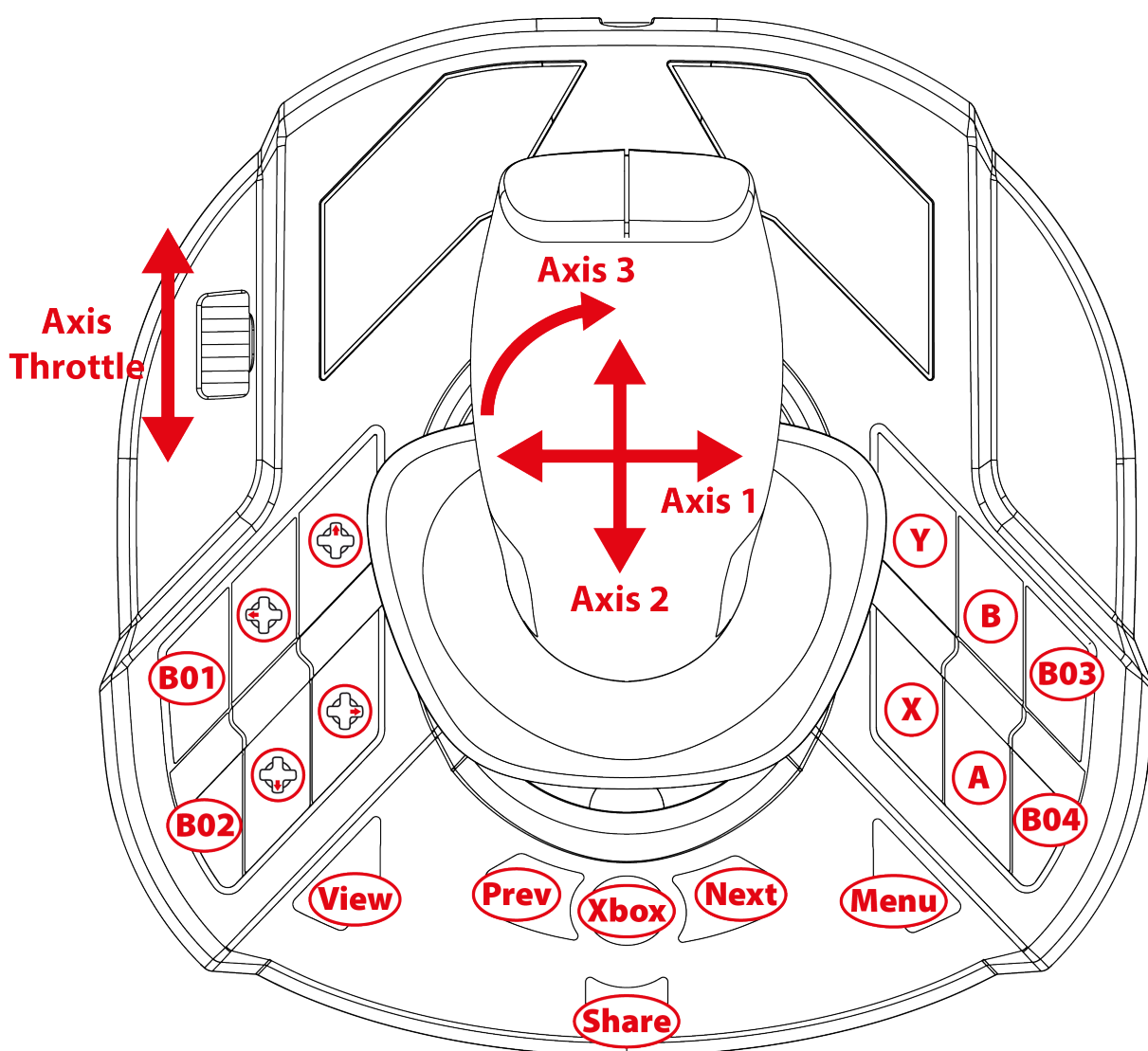


Houd de greep in de middenstand tijdens het aansluiten van de joystick. Beweeg of draai de greep niet tijdens het aansluiten om problemen met kalibratie te voorkomen.

*\*niet meegeleverd*

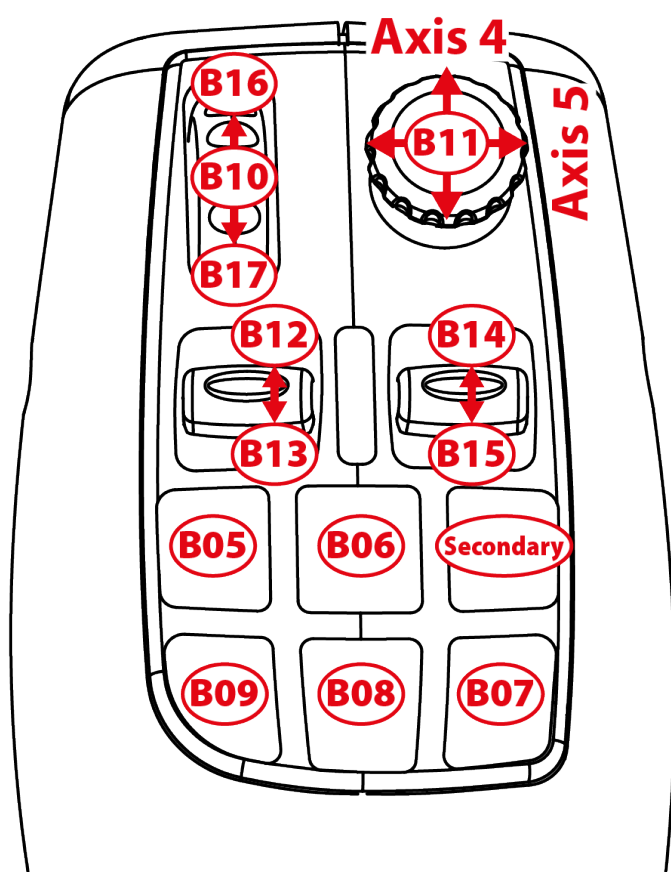


## 6. Xbox-mapping

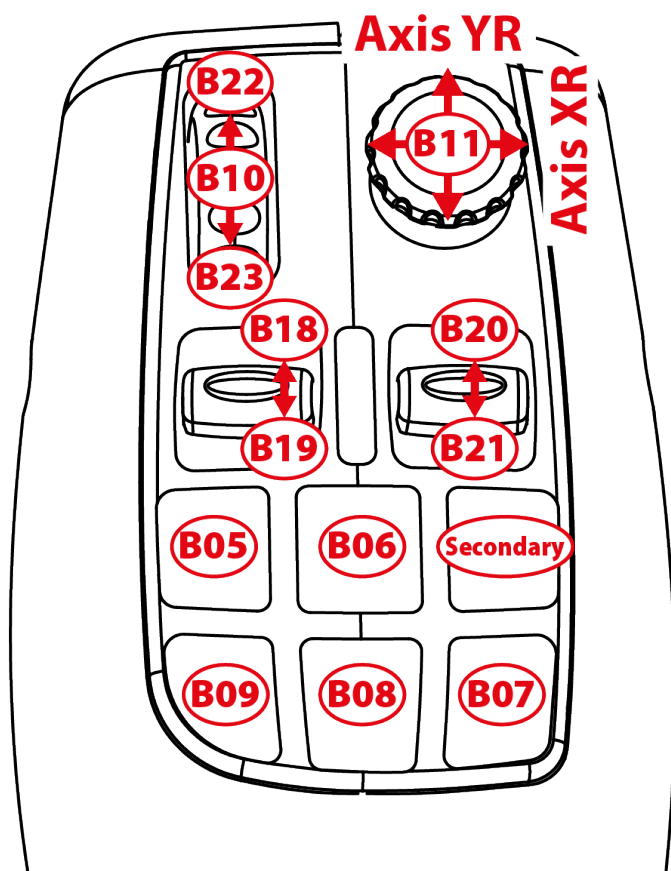


Mapping werkt identiek in rechtshandige en linkshandige modi.

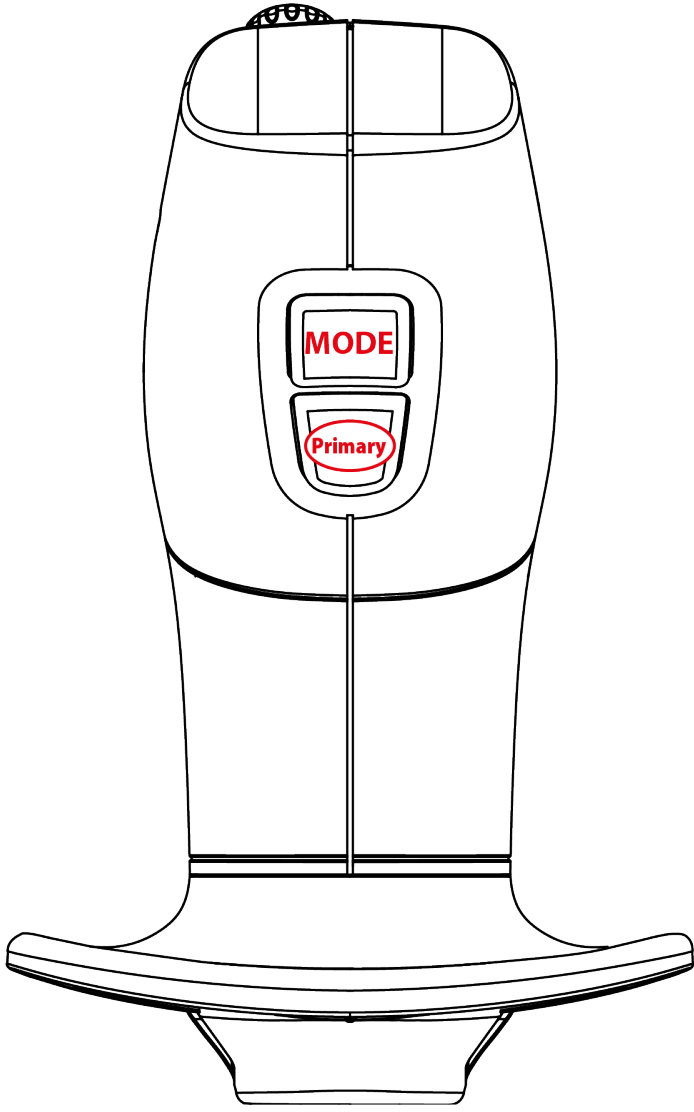
Rechtshandige modus (standaard) of linkshandige modus kan worden geselecteerd door **deze** procedure te volgen. Wanneer u twee joysticks tegelijkertijd gebruikt, helpt deze modus u om ze te onderscheiden.



Rijmodus



Werkmodus





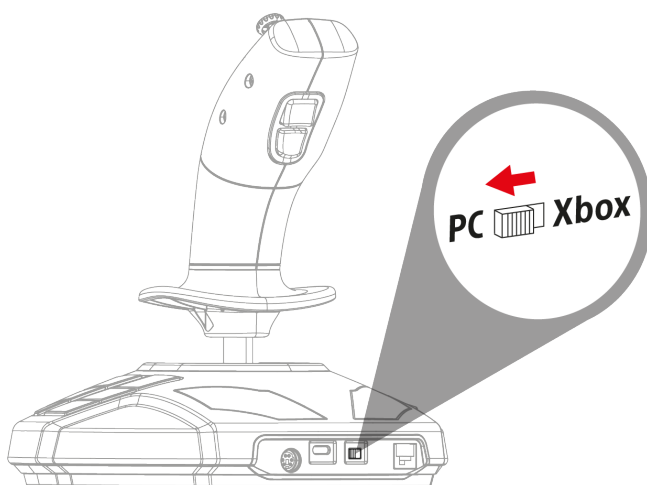
## 7. Installatie op de PC

1. Ga naar:

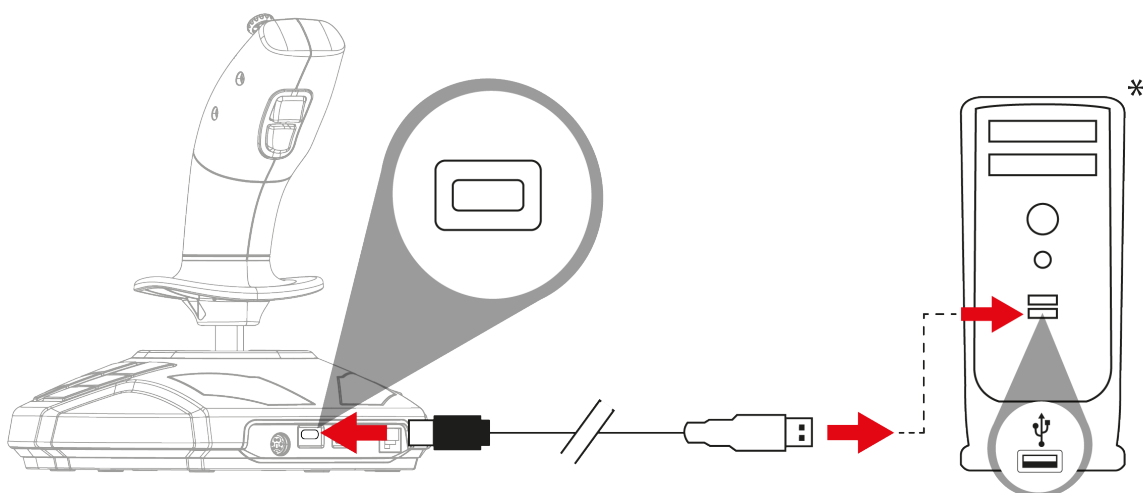
<https://support.thrustmaster.com/product/simtask-farmstick-x/>.

2. Download en installeer de PC-driver en de speciaal aangepaste interface voor het Windows-configuratiescherm.

3. Zet, nadat de PC-driver is geïnstalleerd, de schakelaar 19 achterop de joystick in de PC-stand.



4. Steek de USB-C – USB-A-kabel in de USB-C-poort van de joystick 18 en in een van de USB-A-poorten van de PC\*.



*\*niet meegeleverd*



5. Selecteer **Start/Instellingen/Configuratiescherm** en dubbelklik op **Spelbesturingen**. In het dialoogvenster **Spelbesturingen** dat nu wordt geopend, staat de naam van de joystick met als status **OK**.
6. Klik op **Eigenschappen** in het dialoogvenster **Spelbesturingen** om alle functies te bekijken en te testen. U kunt ook de rechtshandige modus (standaard) of linkshandige modus selecteren.

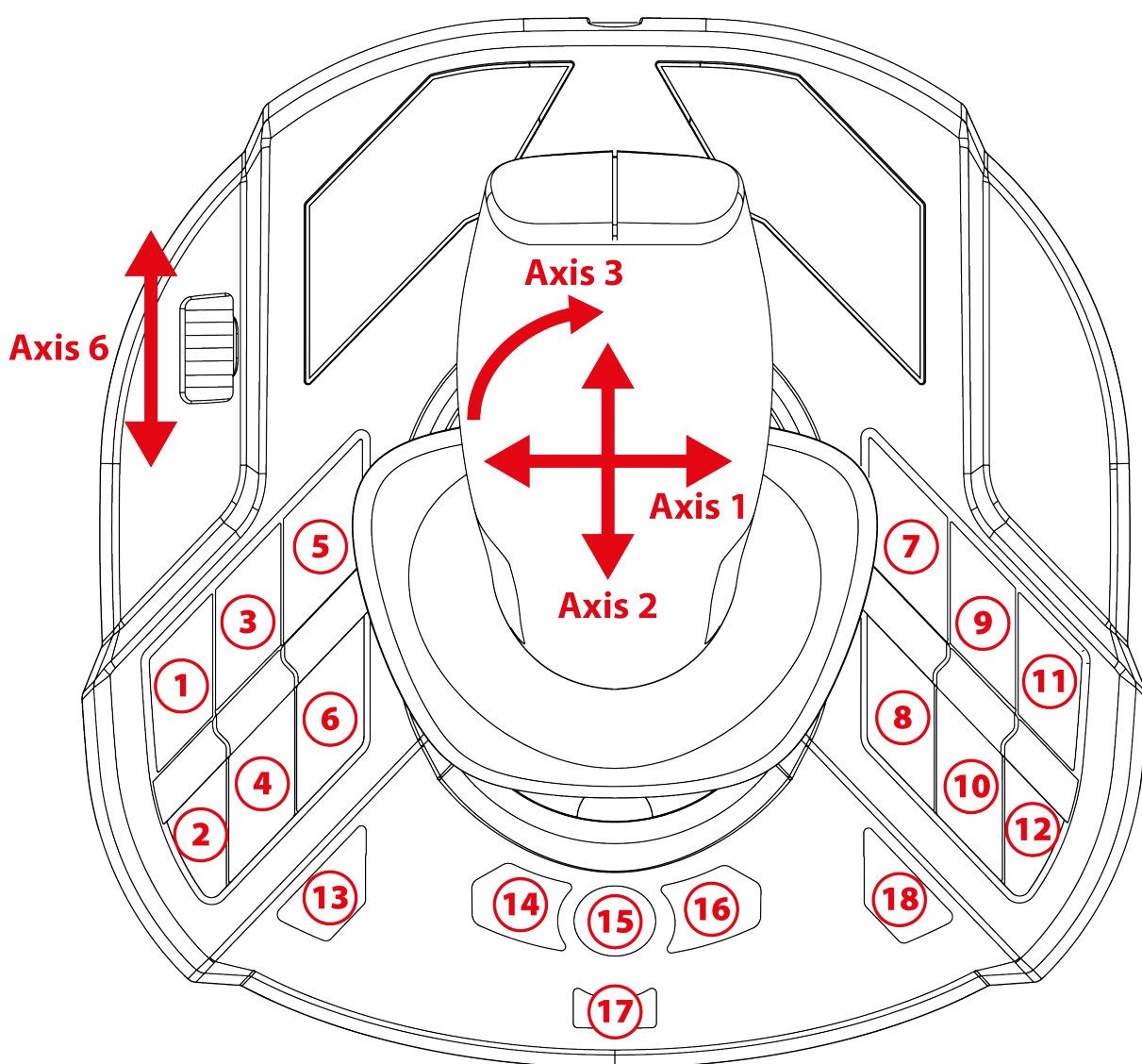
Nu kan er gespeeld worden!



Houd de greep in de middenstand tijdens het aansluiten van de joystick. Beweeg of draai de greep niet tijdens het aansluiten om problemen met kalibratie te voorkomen.

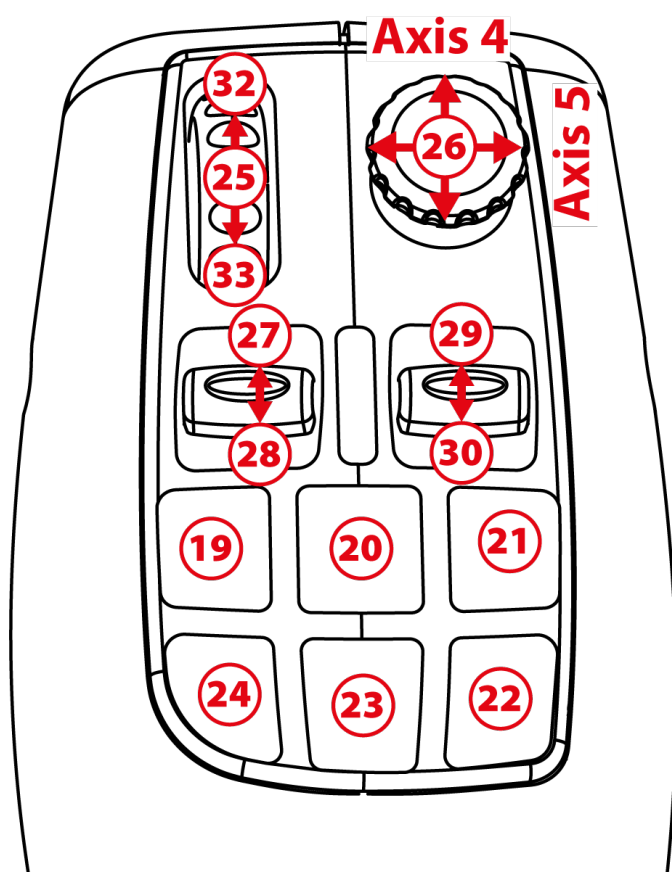


## 8. PC-mapping

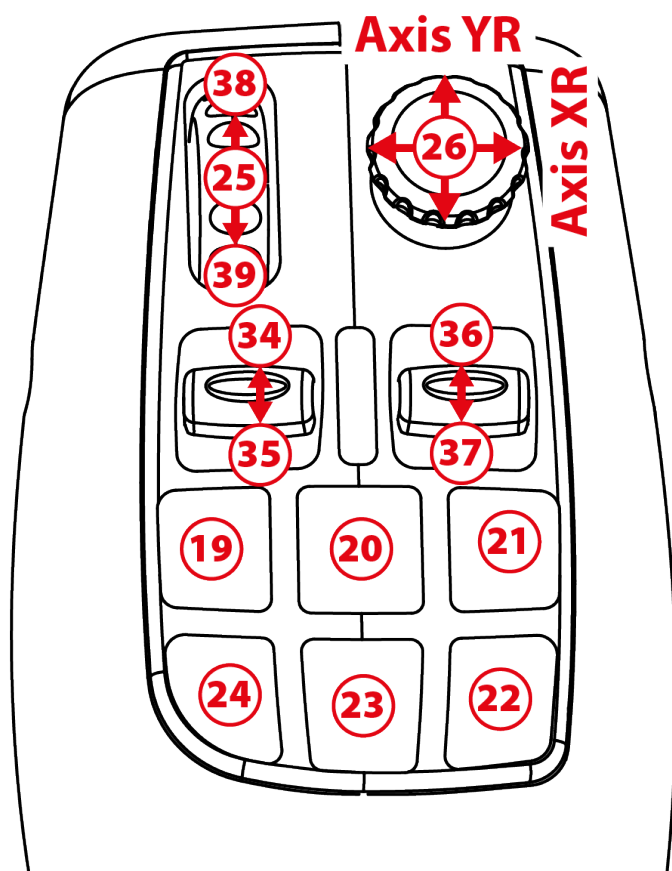


Mapping werkt identiek in rechtshandige en linkshandige modi.

Rechtshandige modus (standaard) of linkshandige modus kan worden geselecteerd door **deze** procedure te volgen of in het **Configuratiescherm**. Wanneer u twee joysticks tegelijkertijd gebruikt, helpt deze modus u om ze te onderscheiden.

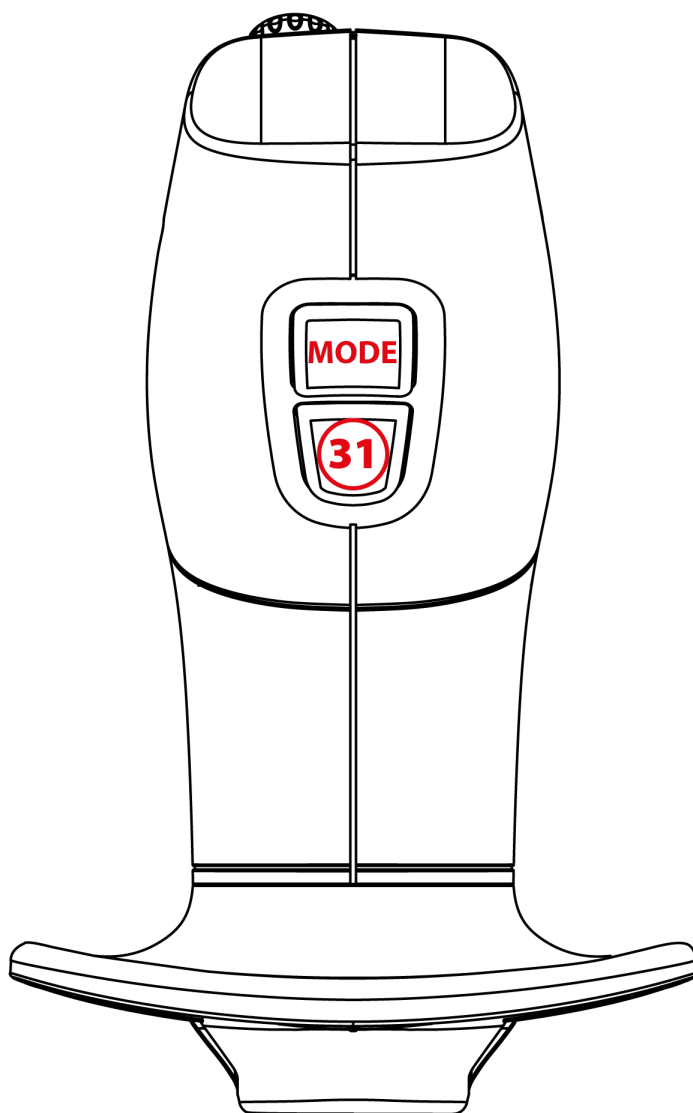


**Rijmodus**



**Werkmodus**

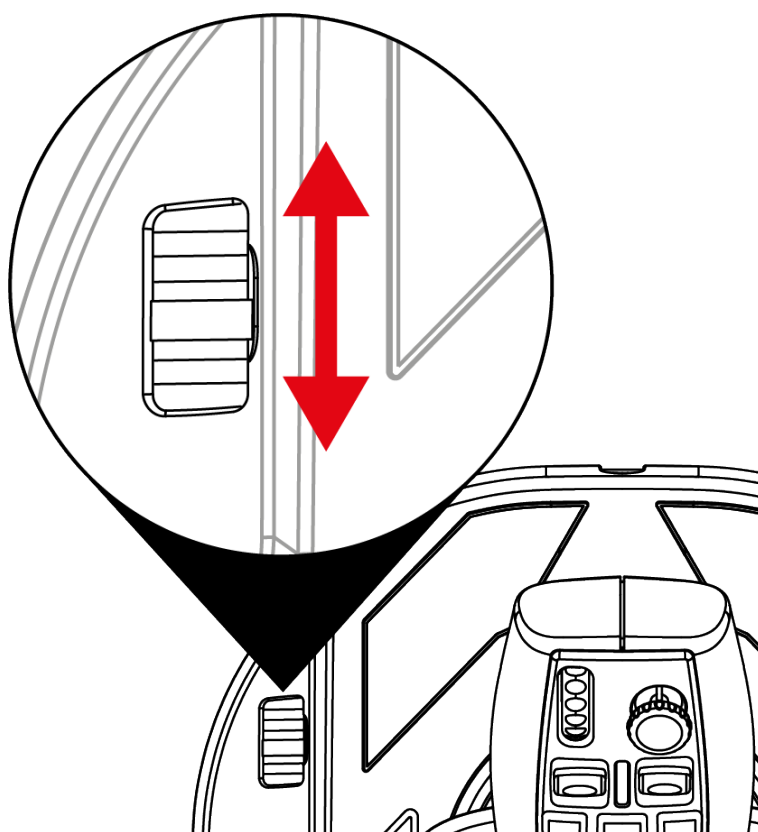






## 9. Throttle

Uw joystick heeft een throttle **8** waarmee u eenvoudig het motortoerental kunt regelen.

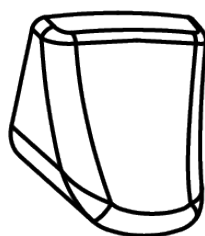




## 10. Verwisselbare trigger

Uw joystick is voorzien van een verwisselbare actie-trigger **16** die verschillende game-ergonomie-instellingen biedt.

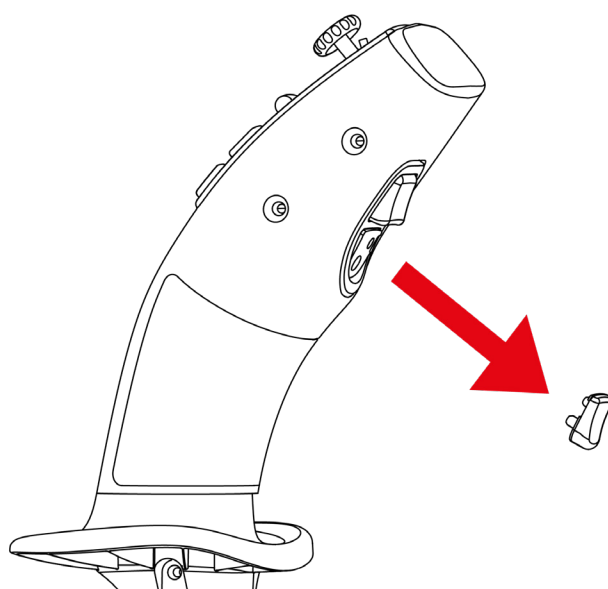
De standaard geïnstalleerde trigger kan worden vervangen door een trigger die geschikt is voor vluchtsimulatie (meegeleverd met SimTask FarmStick).



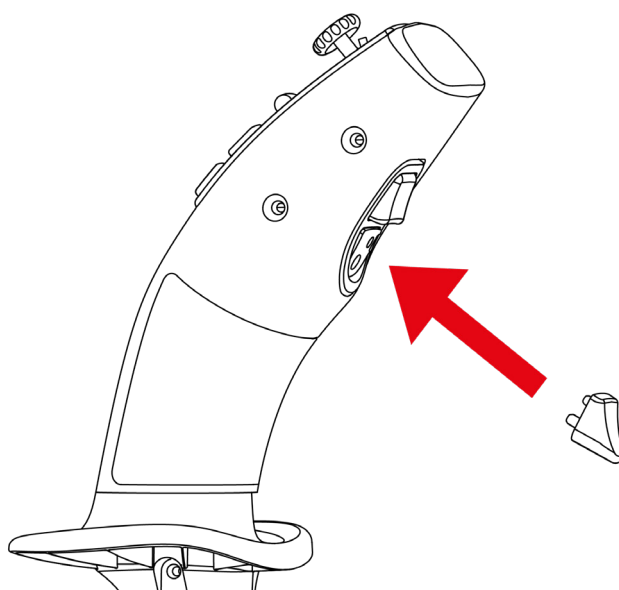


Als u de trigger wilt wijzigen:

1. Plaats uw vingers aan weerszijden van de trigger en trek er voorzichtig aan.



2. Plaats de nieuwe trigger in de juiste montagepositie.



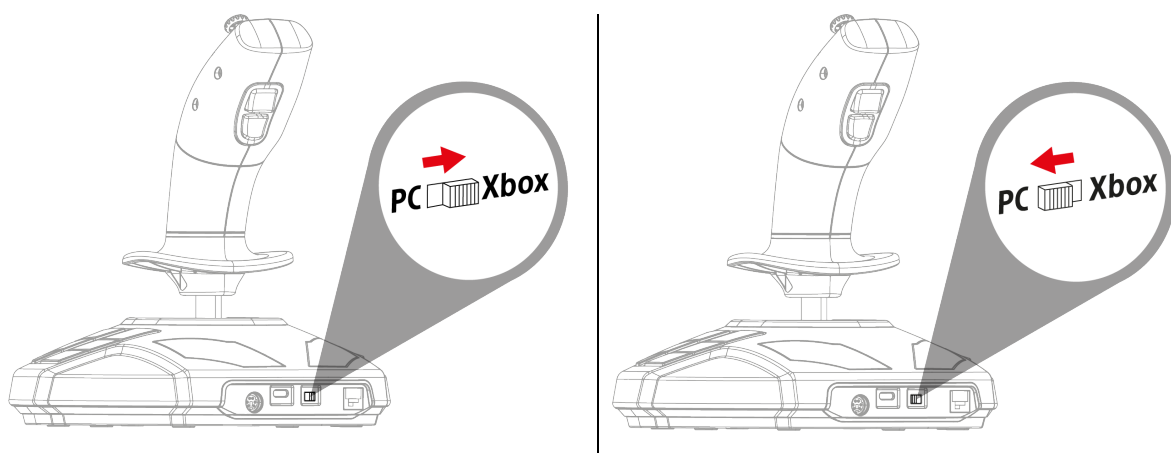
De centreerpennen moeten op hun plaats in de stick passen. Forceer de trigger niet, omdat dit de pennen kan beschadigen.



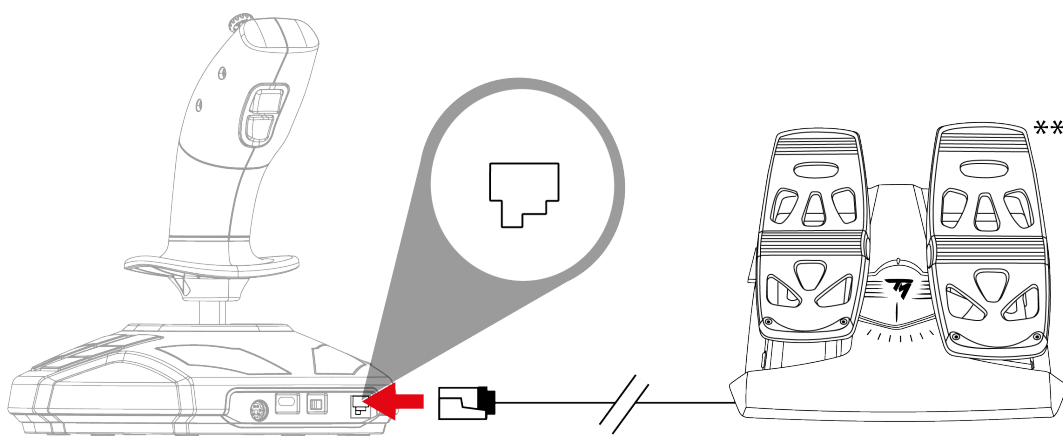
# 11. Installatie op Xbox Series X|S\* of de PC\* met het TFRP-roer\*\*

Het TFRP\*\*-roer laat zich aansluiten op de SimTask FarmStick.

1. Zet de keuzeschakelaar 19 achterop de joystick in de stand Xbox of PC.



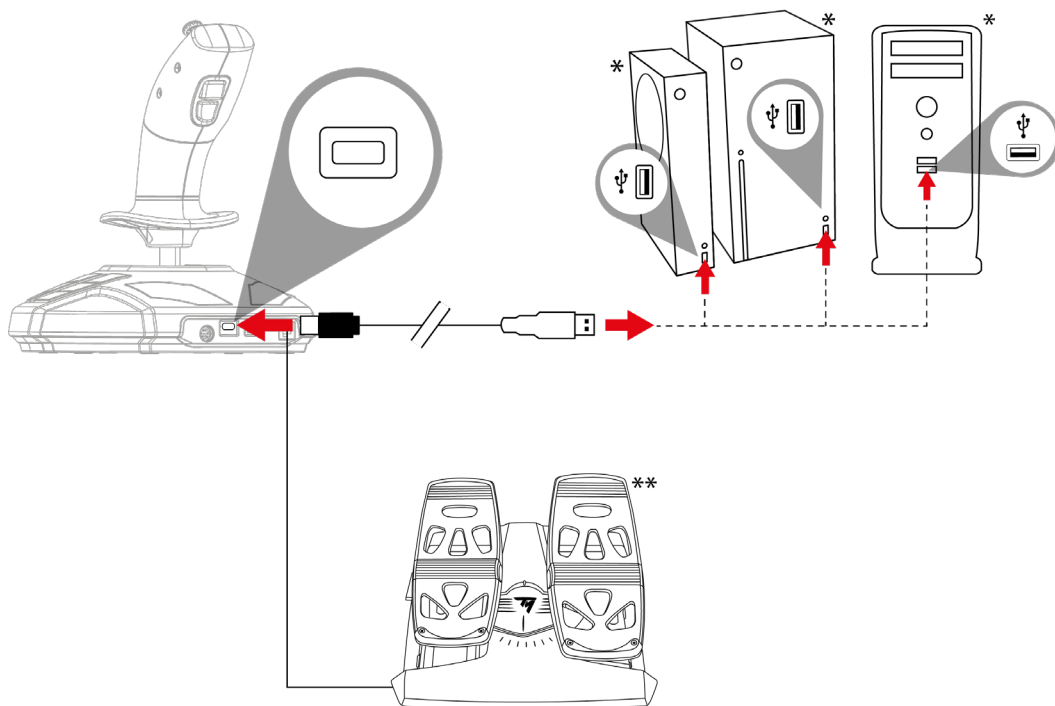
2. Steek de RJ12-kabel van het TFRP\*\*-roer in de RJ12-poort 20 achterop de joystick.



*\*niet meegeleverd / \*\*wordt apart verkocht*



3. Steek de USB-C – USB-A-kabel in de USB-C-poort van de joystick **18** en in een USB-A-poort van de console\* of PC\*.



- Houd de greep in de middenstand tijdens het aansluiten van de joystick. Beweeg of draai de greep niet tijdens het aansluiten om problemen met kalibratie te voorkomen.
- Bij het aansluiten van uw roer op de joystick: houd om kalibratieproblemen te voorkomen de as van het roer altijd in de middenstand en plaats uw voeten niet op de roerpedalen.

*\*niet meegeleverd / \*\*wordt apart verkocht*



## 12.FAQ en technische ondersteuning

### ***Mijn joystick werkt niet goed of lijkt niet goed gekalibreerd te zijn.***

- Zet de computer uit en koppel de joystick los. Zet vervolgens de computer weer aan, sluit de joystick weer aan en start de game opnieuw.
- Houd de greep in de middenstand tijdens het aansluiten van de joystick. Beweeg of draai de greep niet tijdens het aansluiten om problemen met kalibratie te voorkomen.
- Bij het aansluiten van uw roer op de joystick: houd om kalibratieproblemen te voorkomen de as van het roer altijd in de middenstand en plaats uw voeten niet op de roerpedalen.



## ***Ik kan mijn joystick niet configureren.***

- Selecteer de meest geschikte configuratie in het menu **Options | Controller | Gamepad** of **Joystick** van de game, of maak een compleet nieuwe configuratie van de opties van de controller.
- Raadpleeg de handleiding of de online help van de gebruikte game voor meer informatie.





## *Mijn joystick reageert te gevoelig of reageert niet gevoelig genoeg.*

- De joystick wordt automatisch gekalibreerd nadat u deze een paar maal op de verschillende assen hebt bewogen.
- Pas in het menu **Options | Controller | Gamepad** of **Joystick** van de game de gevoeligheid en dode zones aan voor de controller (als deze opties beschikbaar zijn).

Hebt u vragen over de SimTask FarmStick of komt u technische problemen tegen? Ga in dat geval naar de website voor technische ondersteuning van Thrustmaster:

<https://support.thrustmaster.com/product/simtask-farmstick-x/>.



# **THRUSTMASTER®**



# **SIMTASK FARMSTICK**

**XBOX SERIES X|S – PC**

## **Manuale d'uso**



**Leggi attentamente** le istruzioni fornite nel presente manuale **prima** di installare il prodotto, **prima** di qualsiasi uso del prodotto e **prima** di qualsiasi intervento di manutenzione. Assicurati di rispettare le istruzioni sulla sicurezza. Il mancato rispetto di tali istruzioni potrebbe causare incidenti e/o danni. Conserva questo manuale, in modo tale da poterne consultare le istruzioni in futuro.

# INDICE

<b>1.</b>	<b>CONTENUTO DELLA CONFEZIONE.....</b>	<b>5</b>
<b>2.</b>	<b>CARATTERISTICHE .....</b>	<b>6</b>
<b>3.</b>	<b>INFORMAZIONI SULL'UTILIZZO .....</b>	<b>9</b>
<b>4.</b>	<b>INTRODUZIONE AL TUO JOYSTICK .....</b>	<b>12</b>
	<i>Punti chiave .....</i>	<b>12</b>
	<i>Tecnologia di precisione H.E.A.R.T. (HallEffect AccuRate Technology) .....</i>	<b>13</b>
	<i>Modalità guida &lt;&gt; Modalità lavoro .....</i>	<b>14</b>
	<i>Impugnatura rotante .....</i>	<b>17</b>
	<i>Mini-stick "Angolo di visuale" .....</i>	<b>18</b>
	<i>Connettività SimTask FarmStick su Xbox Series X S* e PC* .....</i>	<b>19</b>
	<i>Configurazione del joystick destrimane e mancina .....</i>	<b>21</b>

<b>5.</b>	<b>INSTALLAZIONE SU XBOX SERIES X S..</b>	<b>24</b>
<b>6.</b>	<b>MAPPATURA XBOX .....</b>	<b>26</b>
<b>7.</b>	<b>INSTALLAZIONE SU PC .....</b>	<b>29</b>
<b>8.</b>	<b>MAPPATURA PC.....</b>	<b>31</b>
<b>9.</b>	<b>MANETTA.....</b>	<b>34</b>
<b>10.</b>	<b>GRILLETTO INTERCAMBIABILE .....</b>	<b>35</b>
<b>11.</b>	<b>INSTALLAZIONE SU XBOX SERIES X S* O PC* CON TIMONE TFRP** .....</b>	<b>37</b>
<b>12.</b>	<b>FAQ E ASSISTENZA TECNICA.....</b>	<b>39</b>

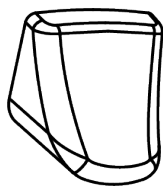
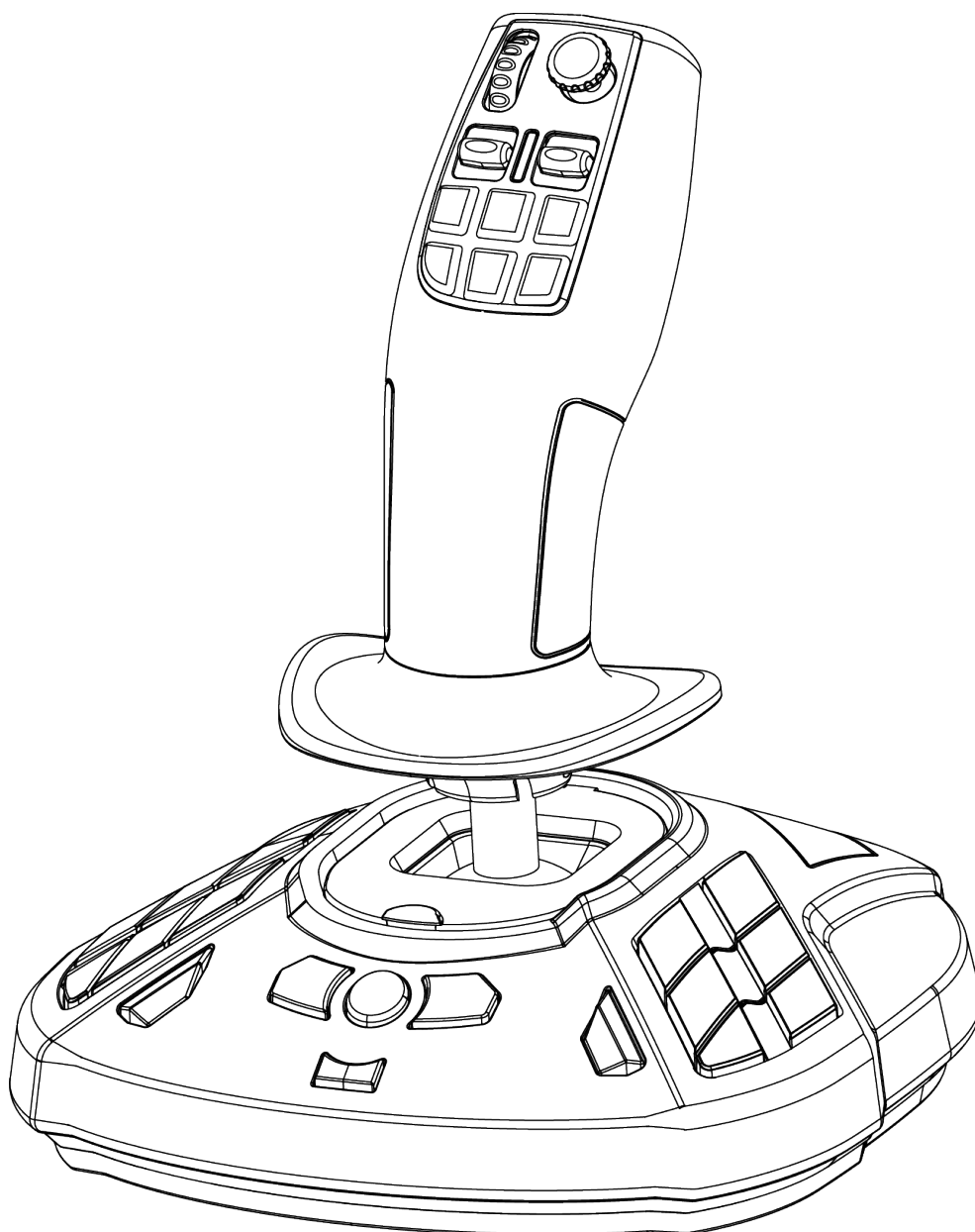


Con SimTask FarmStick di Thrustmaster, avrai a disposizione una periferica perfettamente adatta al controllo del tuo macchinario agricolo o edile. Puoi utilizzare il SimTask FarmStick anche come joystick per simulazioni di volo.

Questo manuale ti aiuterà a installare e utilizzare al meglio il tuo SimTask FarmStick. Prima di iniziare, assicurati di aver letto con attenzione le presenti istruzioni e avvisi: ti aiuteranno a divertirti al massimo utilizzando il tuo prodotto.

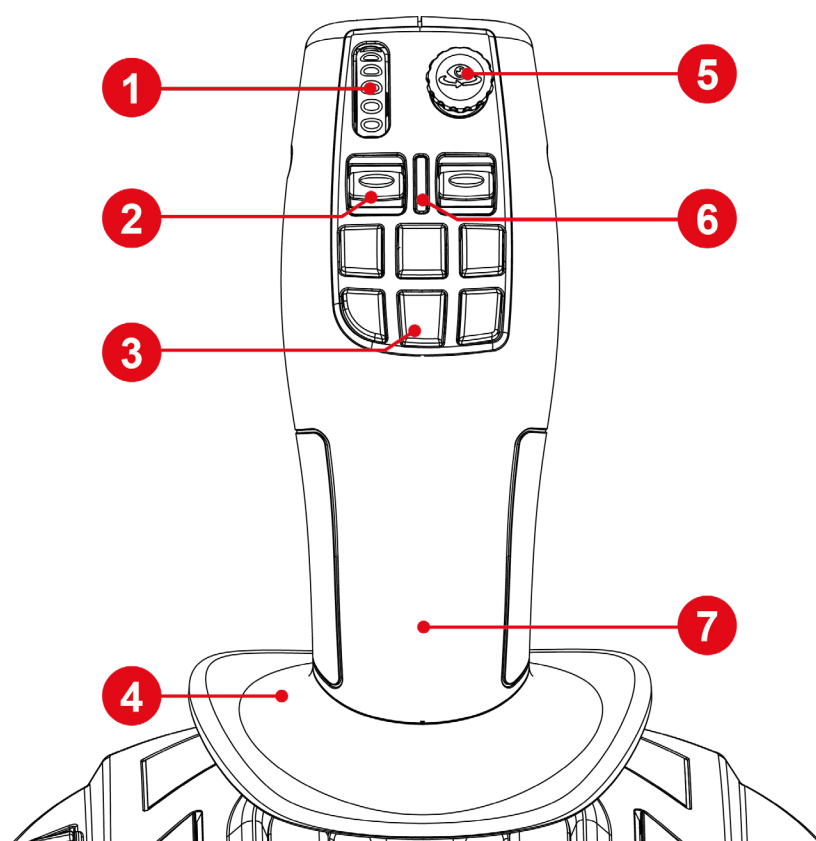


# 1. Contenuto della confezione

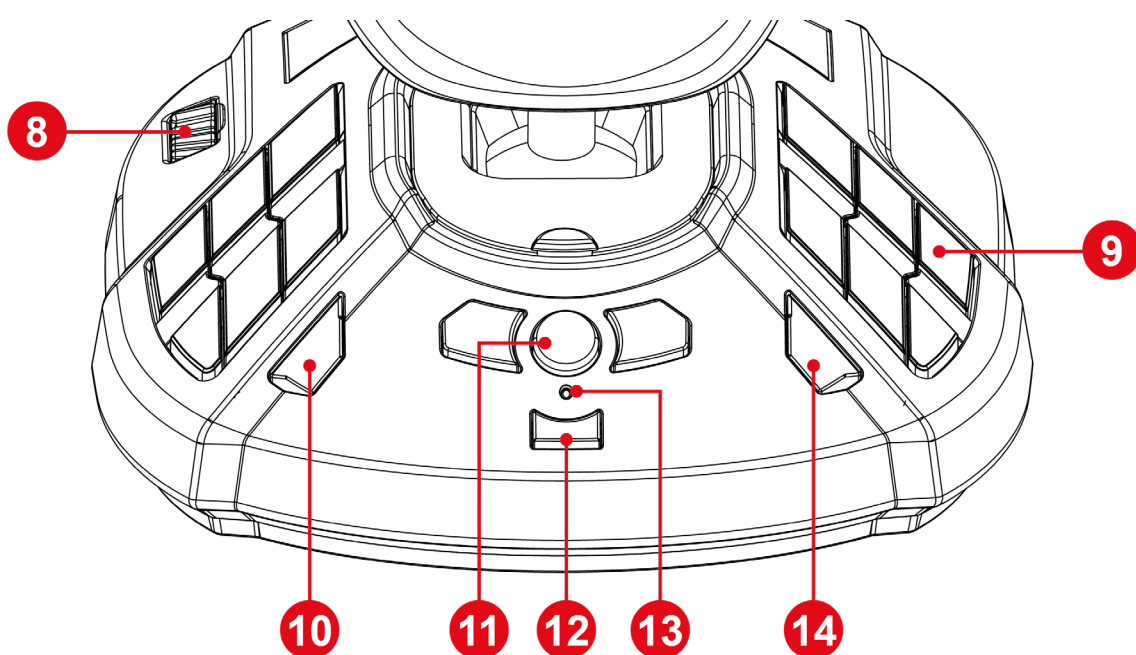




## 2. Caratteristiche



1. Rotella da pollice
2. Selettore intensità
3. Pulsanti ad azione rapida
4. Zona di riposo per la mano
5. Mini stick "Angolo di visuale"
6. LED indicatore modalità joystick
7. Impugnatura ambidestra



8. Manetta

9. Pulsanti azione programmabili

10. Pulsante View (Visualizza)

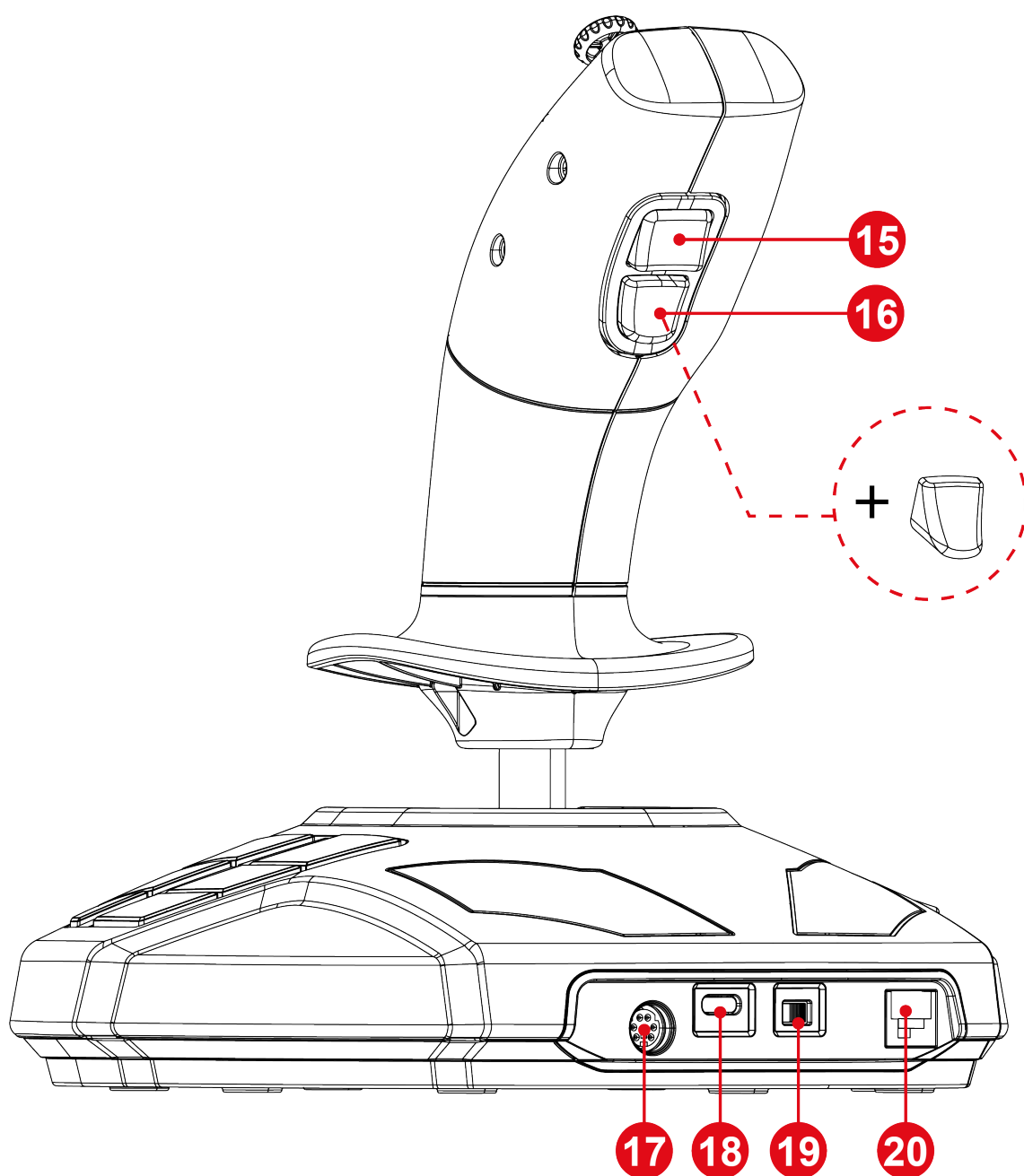
11. Pulsante Xbox

12. Pulsante Share (Condividi)

13. LED indicatore

14. Pulsante Menu (Menu)





- 15. Pulsante cambio modalità joystick
- 16. Comando a grilletto intercambiabile
- 17. Porta DIN per accessori aggiuntivi\*
- 18. Porta USB-C
- 19. Selettore Xbox / PC
- 20. Porta RJ12 per timone TFRP\*

*\*venduti separatamente*



### 3. Informazioni sull'utilizzo



#### **Documentazione**

Prima di utilizzare questo prodotto, rileggi con attenzione la presente documentazione e conservala per una futura consultazione.



### **Shock elettrico**

- Conserva questo prodotto in un luogo asciutto, al riparo dalla polvere o dalla luce solare.
- Rispetta il verso dei collegamenti.
- Non torcere e non tirare i connettori e i cavi.
- Non versare alcun liquido sul prodotto o sui suoi connettori.
- Non cortocircuitare il prodotto.
- Non smontare questo prodotto, non cercare di dargli fuoco e non esporlo alle alte temperature.
- Non aprire la periferica: al suo interno, non vi sono componenti utili all'utente. Qualsiasi riparazione dovrà essere effettuata dal produttore, da un'agenzia specifica o da un tecnico qualificato.



### **Mettere in sicurezza l'area di gioco**

- Nell'area di gioco, non posizionare alcun oggetto che possa interferire con la pratica dell'utente, o che possa provocare un movimento inappropriato o un'interruzione da parte di un'altra persona (una tazza di caffè, un telefono o delle chiavi, ad esempio).
- Non coprire i cavi di alimentazione con tappeti o moquette, coperte o qualsiasi altro oggetto, e non far passare i cavi dove la gente camminerà.



## 4. Introduzione al tuo joystick

### *Punti chiave*

- 33 pulsanti e 6 pulsanti virtuali, compresi una rotella da pollice e due selettori di intensità
- 6 assi, tra cui un mini-stick, la rotazione dell'impugnatura del joystick e una manetta
- LED indicatore modalità joystick
- Tecnologia H.E.A.R.T. (HallEffect AccuRate Technology)
- Connessione a una porta USB-A
- Manetta
- Porta RJ12 per timone TFRP\*

*\*venduto separatamente*



## ***Tecnologia di precisione H.E.A.R.T. (HallEffect AccuRate Technology)***

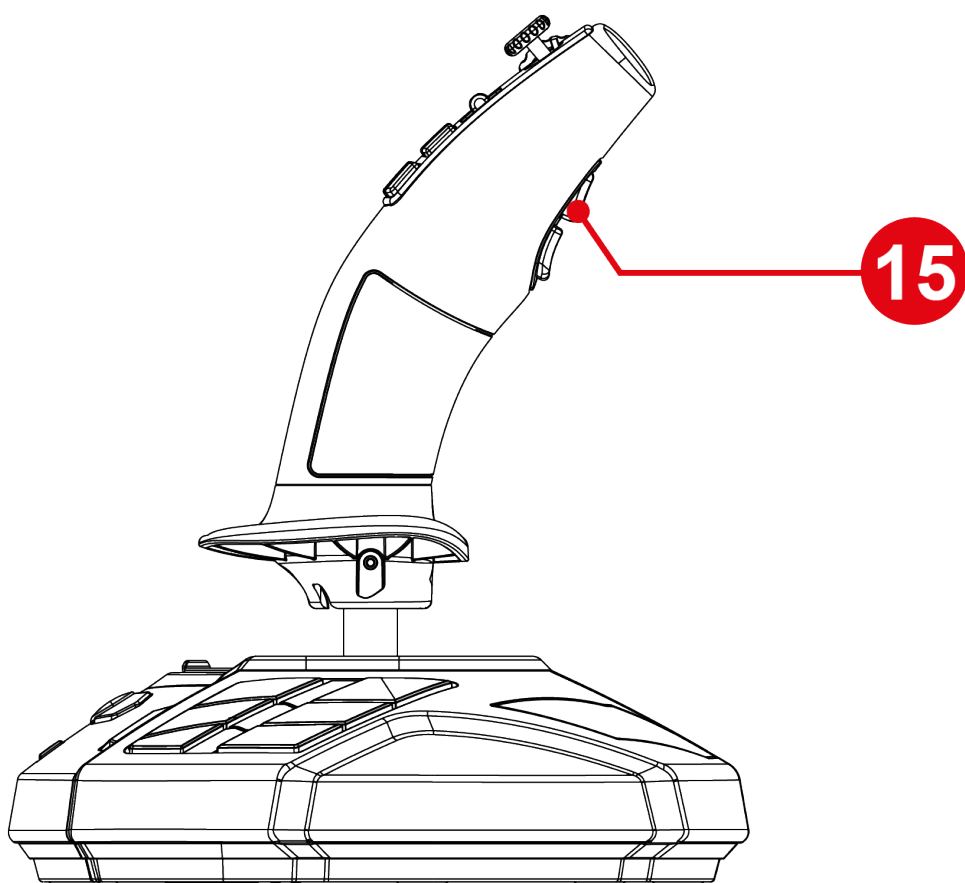
Il tuo SimTask FarmStick dispone di una tecnologia che garantisce un livello di precisione attualmente senza eguali nel mondo dei joystick per videogiochi, comprendente:

- Sensori magnetici 3D (Effetto Hall) nella leva, con una risoluzione di oltre 268 milioni di valori lungo gli assi X e Y (16384 x 16384 valori).
- Un magnete: nessun attrito, per una precisione illimitata e un'incredibile reattività che dureranno nel tempo.
- Una molla elicoidale nella leva (da 2,8 mm): per una tensione decisa, lineare e fluidissima.



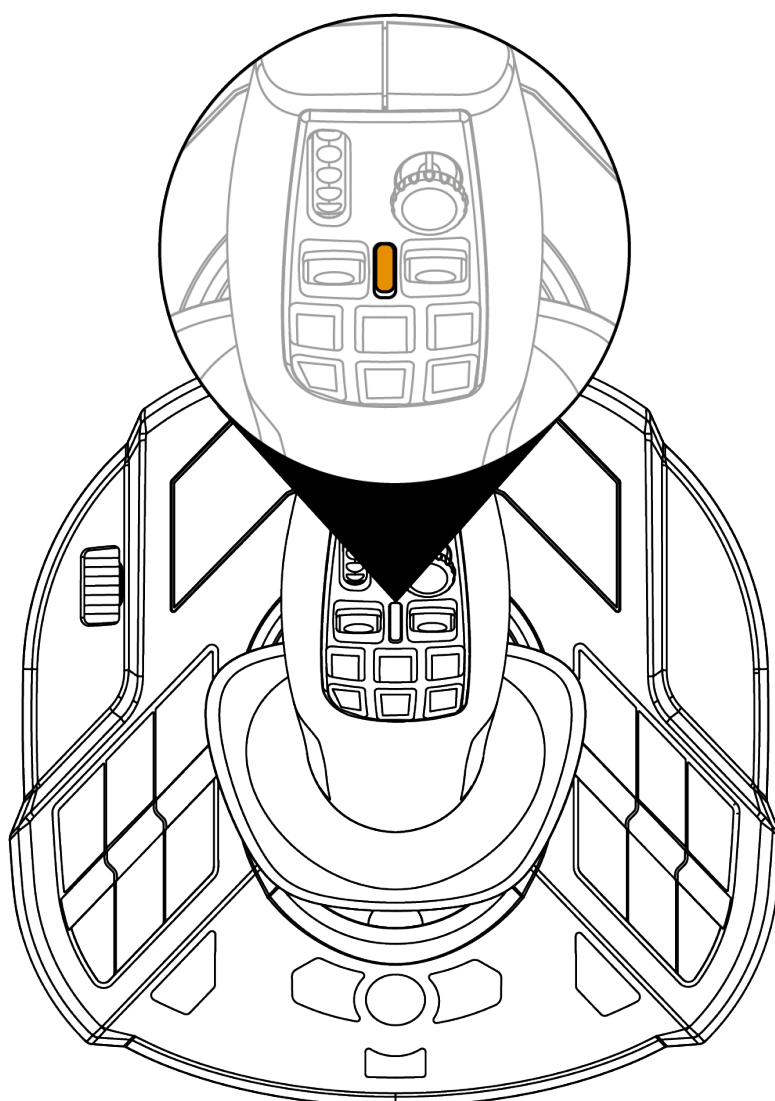
## **Modalità guida <> Modalità lavoro**

Il pulsante **15** ti permette di passare dalla modalità **Guida** alla modalità **Lavoro** e viceversa.



Questa funzione amplia la gamma di azioni eseguibili utilizzando il pollice, ossia attraverso la rotella da pollice **1** e i due selettori di intensità **2**.

Il cambio di modalità modifica le azioni associate alla rotella da pollice **1** e ai due selettori di intensità **2**.



### **Modalità guida (predefinita)**

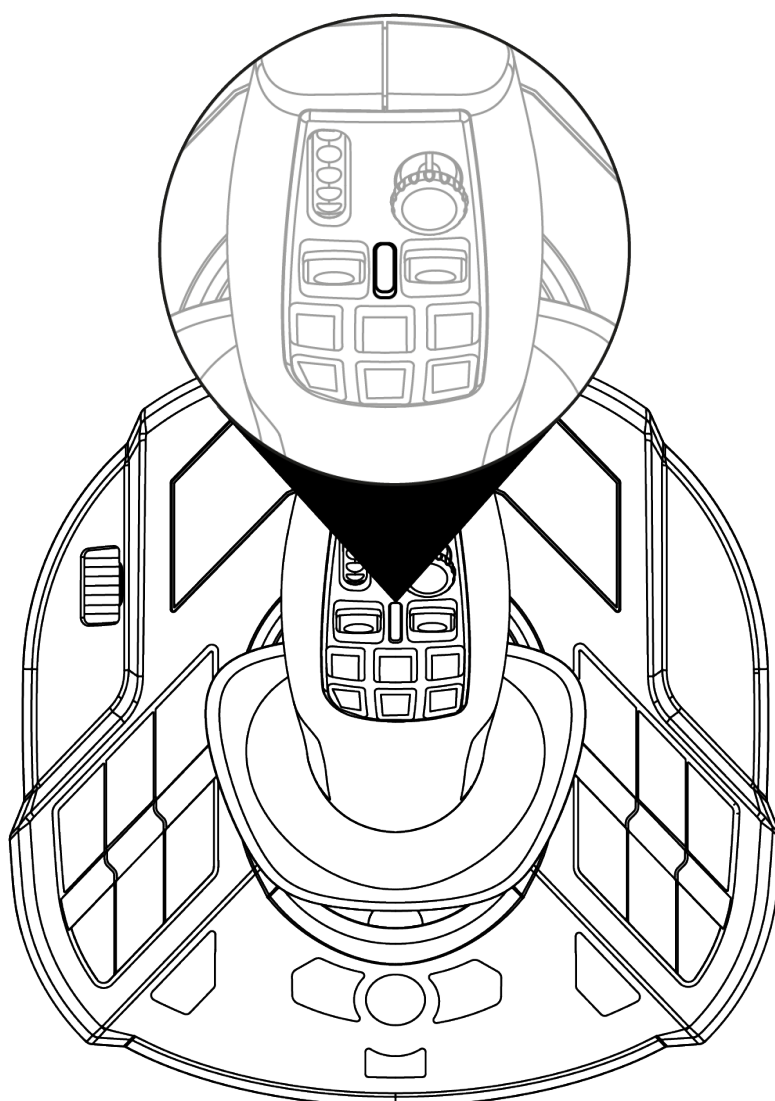
In modalità **Guida**, il LED indicatore della modalità del joystick **6** si illumina di arancione.



In modalità **Guida**, le azioni associate alla rotella da pollice **1** e ai selettori di intensità **2** possono essere le seguenti:

- Rotella da pollice: controllo del punto di regolazione.
- Selettori di intensità: gestione del cambio.





## Modalità lavoro

In modalità **Lavoro**, il LED indicatore della modalità del joystick **6** si illumina di bianco.



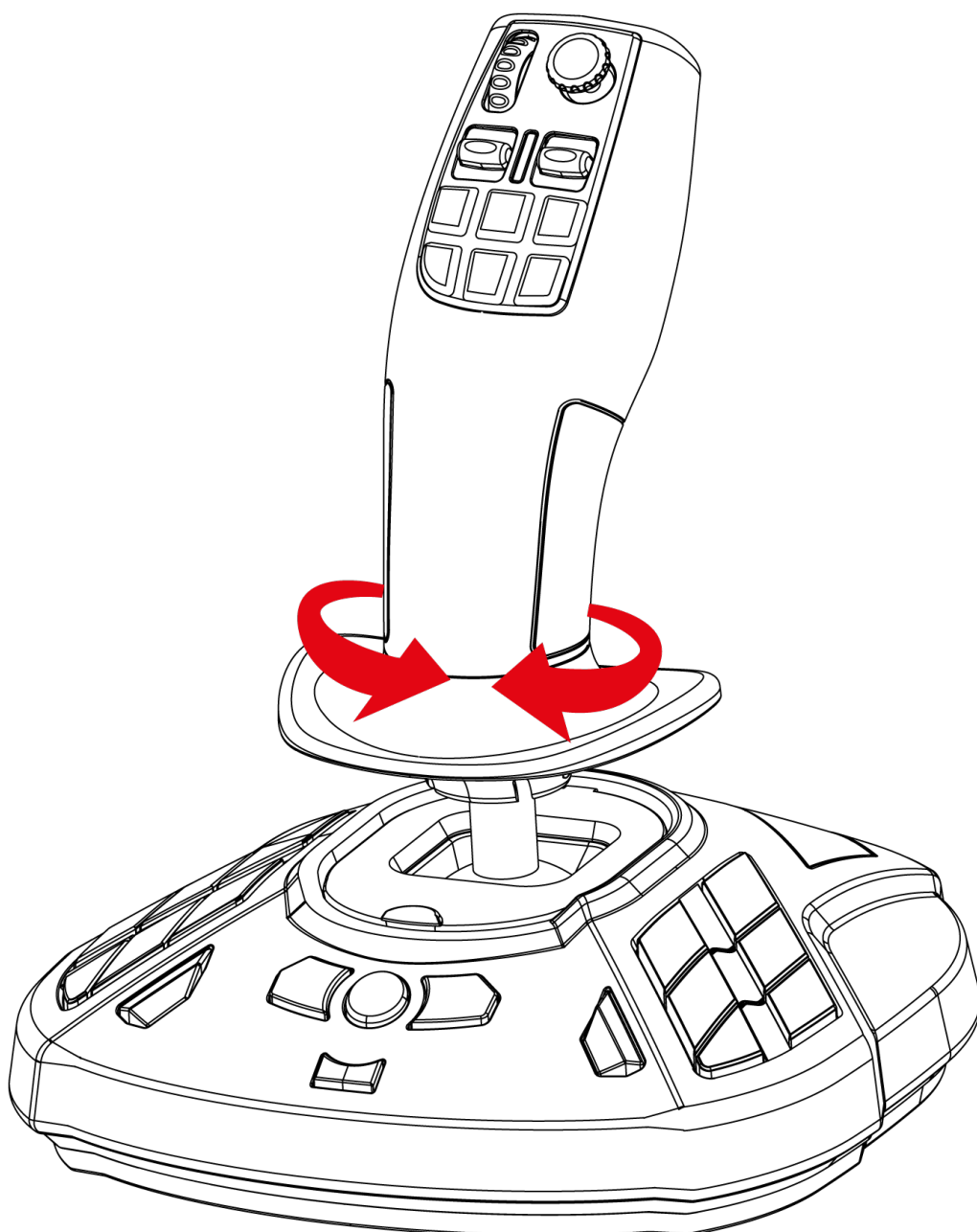
In modalità **Lavoro**, le azioni associate alla rotella da pollice **1** e ai selettori di intensità **2** possono essere le seguenti:

- Rotella da pollice: controllo dell'ingrandimento della telecamera.
- Selettori di intensità: controllo di gru o pale cariatrici.



## *Impugnatura rotante*

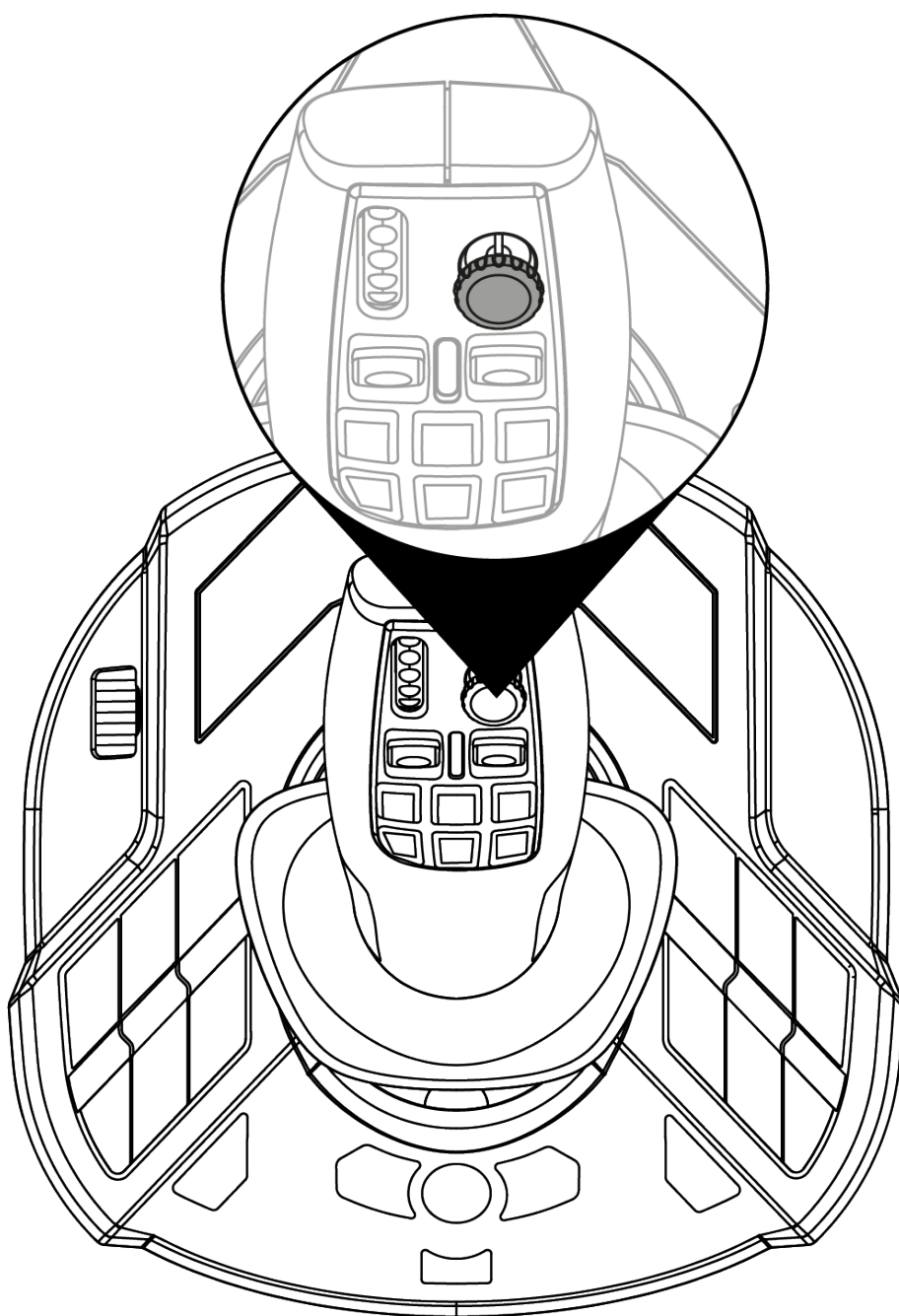
SimTask FarmStick è dotato di un'impugnatura che ruota lungo il proprio asse orizzontale. Questa funzione è utile, ad esempio, per manovrare una gru o un escavatore.





## *Mini-stick “Angolo di visuale”*

SimTask FarmStick è dotato di un mini-stick “Angolo di visuale” 5 che ti permette di vedere attraverso il campo visivo dell’operatore del veicolo.





## **Connettività SimTask FarmStick su Xbox Series X|S\* e PC\***

SimTask FarmStick dispone di sei assi, ma offre la possibilità di collegare al retro del joystick un timone TFRP\*\*: in questo modo, disporrai di due assi aggiuntivi e del controllo del timone tramite il TFRP.

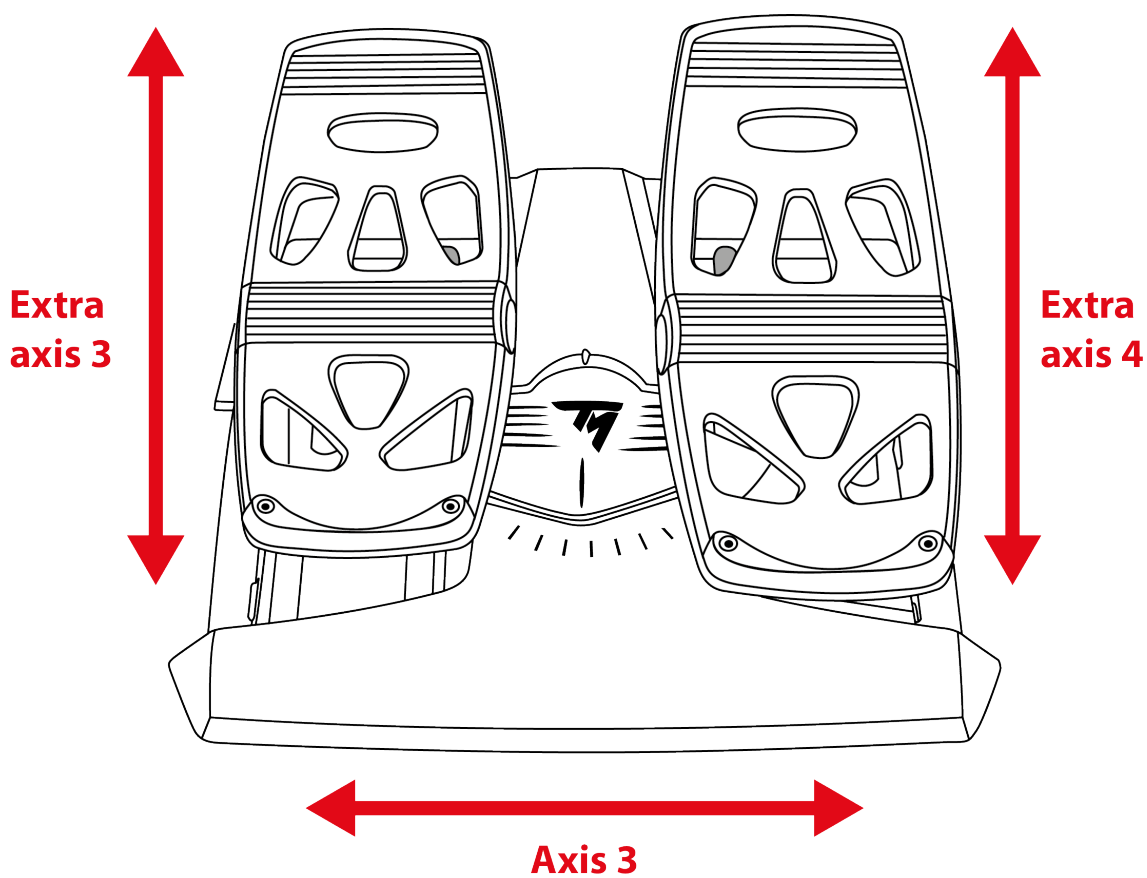


Il timone TFRP è l'unica periferica supportata su Xbox Series X|S e PC.

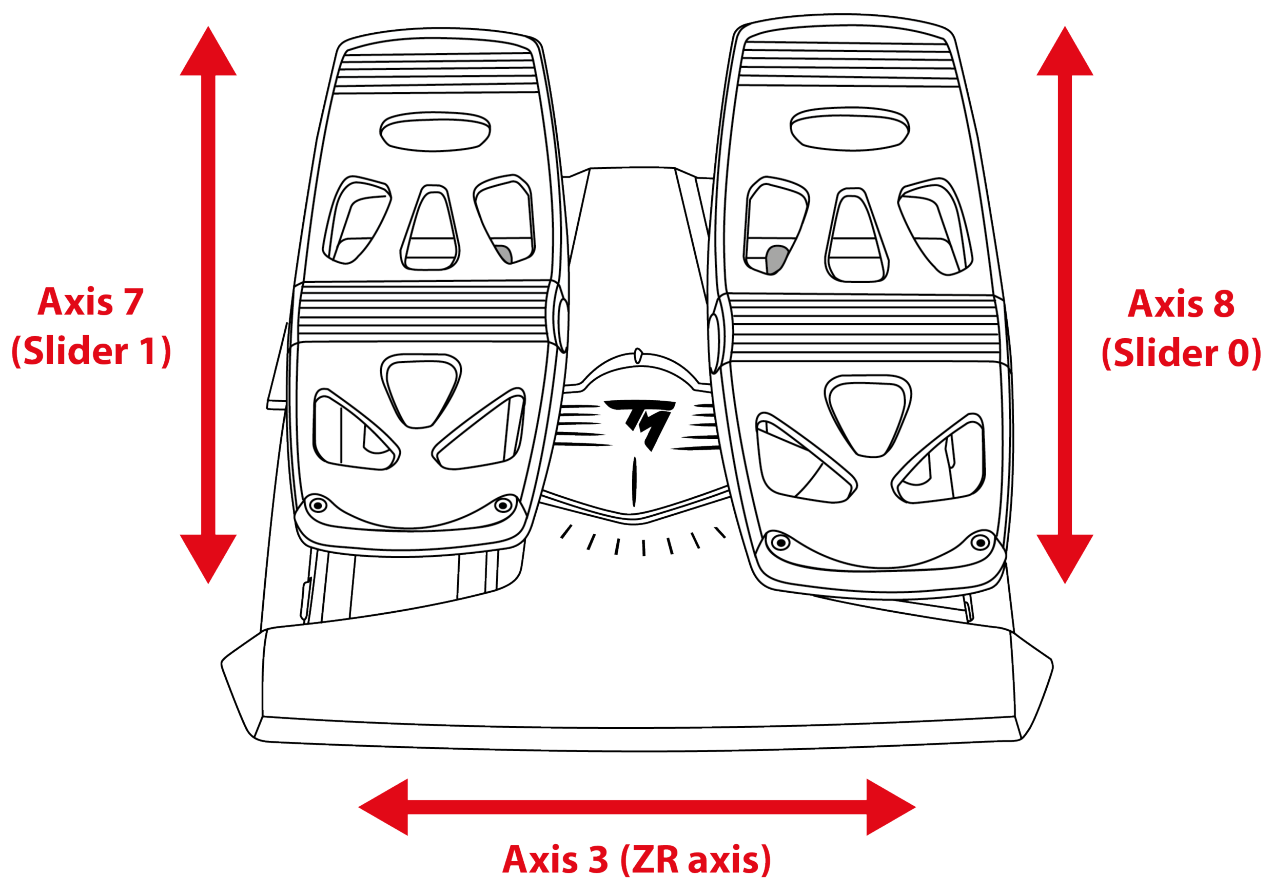
*\*non forniti / \*\*venduto separatamente*



Mappatura per Xbox:



Mappatura per PC:





## ***Configurazione del joystick destrimane e mancina***

Il tuo SimTask FarmStick è ambidestro, per potersi adattare senza problemi a tutti i giocatori, siano essi destrimani o mancini.

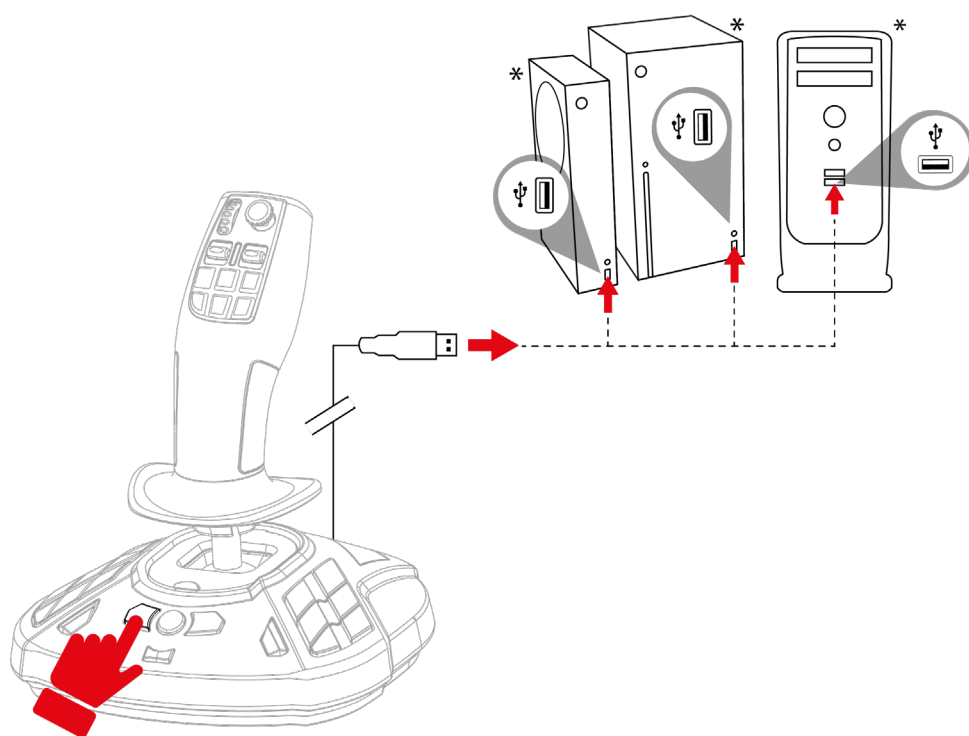
Per default, il joystick è impostato in modalità destrimane.



Per impostare il joystick in modalità MANCINA:

1. Tieni premuto il pulsante 14 (su PC) o Prec (su Xbox Series X|S) mentre colleghi il tuo SimTask FarmStick alla tua Xbox Series X|S o al tuo PC.

Il LED indicatore del joystick **6** lampeggerà di bianco per cinque secondi.



2. Rilascia il pulsante 14 (su PC) o Prec (su Xbox Series X|S).



La modalità MANCINA viene salvata automaticamente nella memoria interna del SimTask FarmStick.

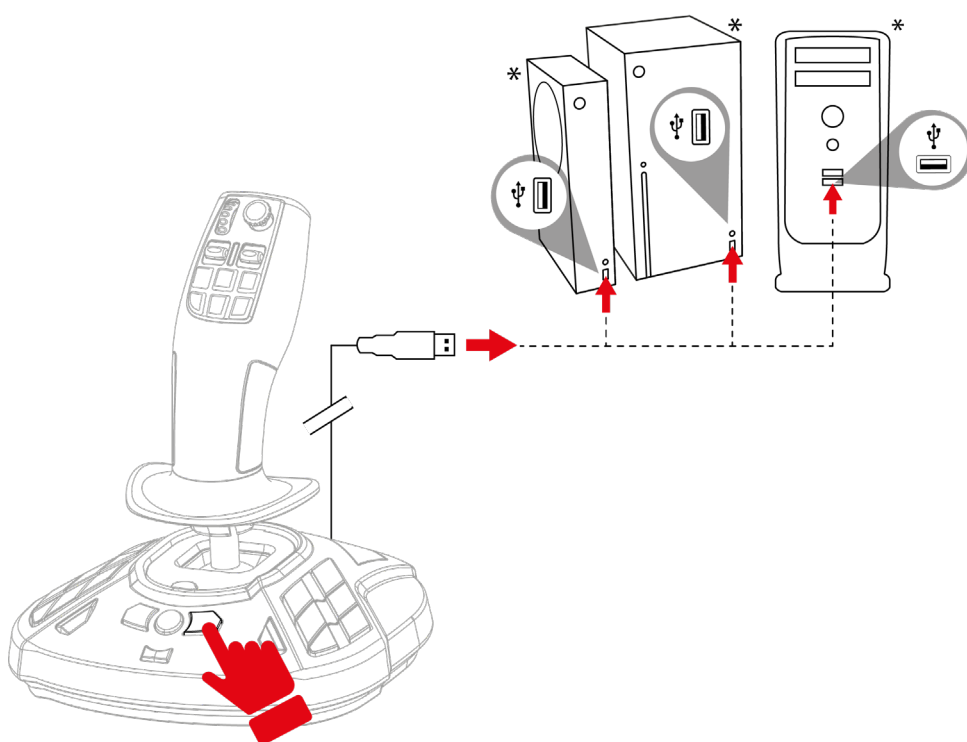
*\*non forniti*



Per ripristinare la modalità DESTRIMANE del joystick:

1. Tieni premuto il pulsante 16 (su PC) o Succ (su Xbox Series X|S) mentre colleghi il tuo SimTask FarmStick alla tua Xbox Series X|S o al tuo PC.

Il LED indicatore del joystick **6** lampeggerà di arancione per cinque secondi.



2. Rilascia il pulsante 16 (su PC) o Succ (su Xbox Series X|S).



La modalità DESTRIMANE viene salvata automaticamente nella memoria interna del SimTask FarmStick.

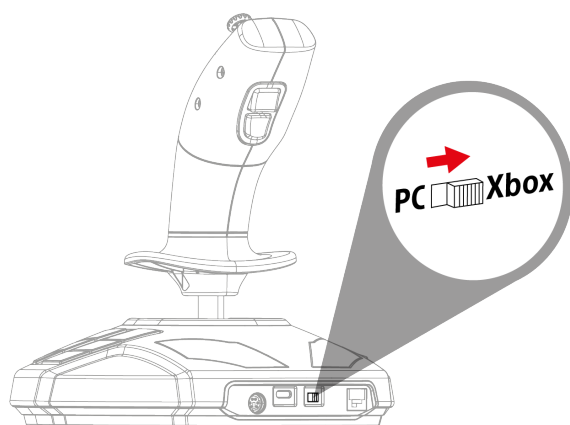
*\*non forniti*



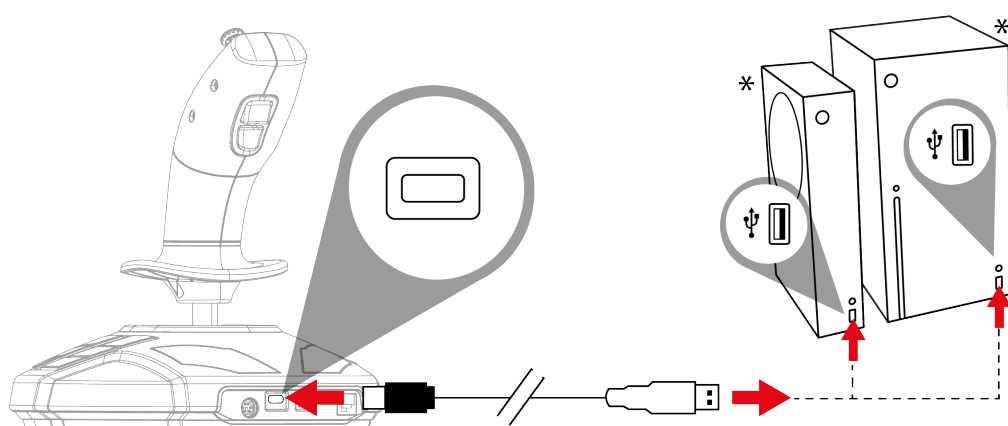


## 5. Installazione su Xbox Series X|S

1. Sposta il selettore **19** presente sul retro del joystick in posizione Xbox.



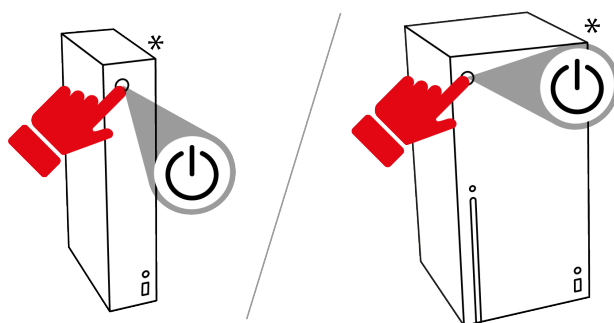
2. Collega il cavo USB-C – USB-A alla porta USB-C **18** del joystick e a una porta USB-A della console\*.



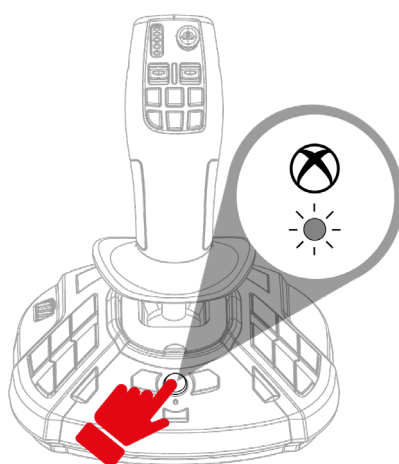
\* non fornite



3. Accendi la tua console.



4. Premi il pulsante Xbox. Il LED indicatore del joystick si illuminerà di bianco.



5. Avvia un gioco compatibile.

Ora sei pronto per giocare!

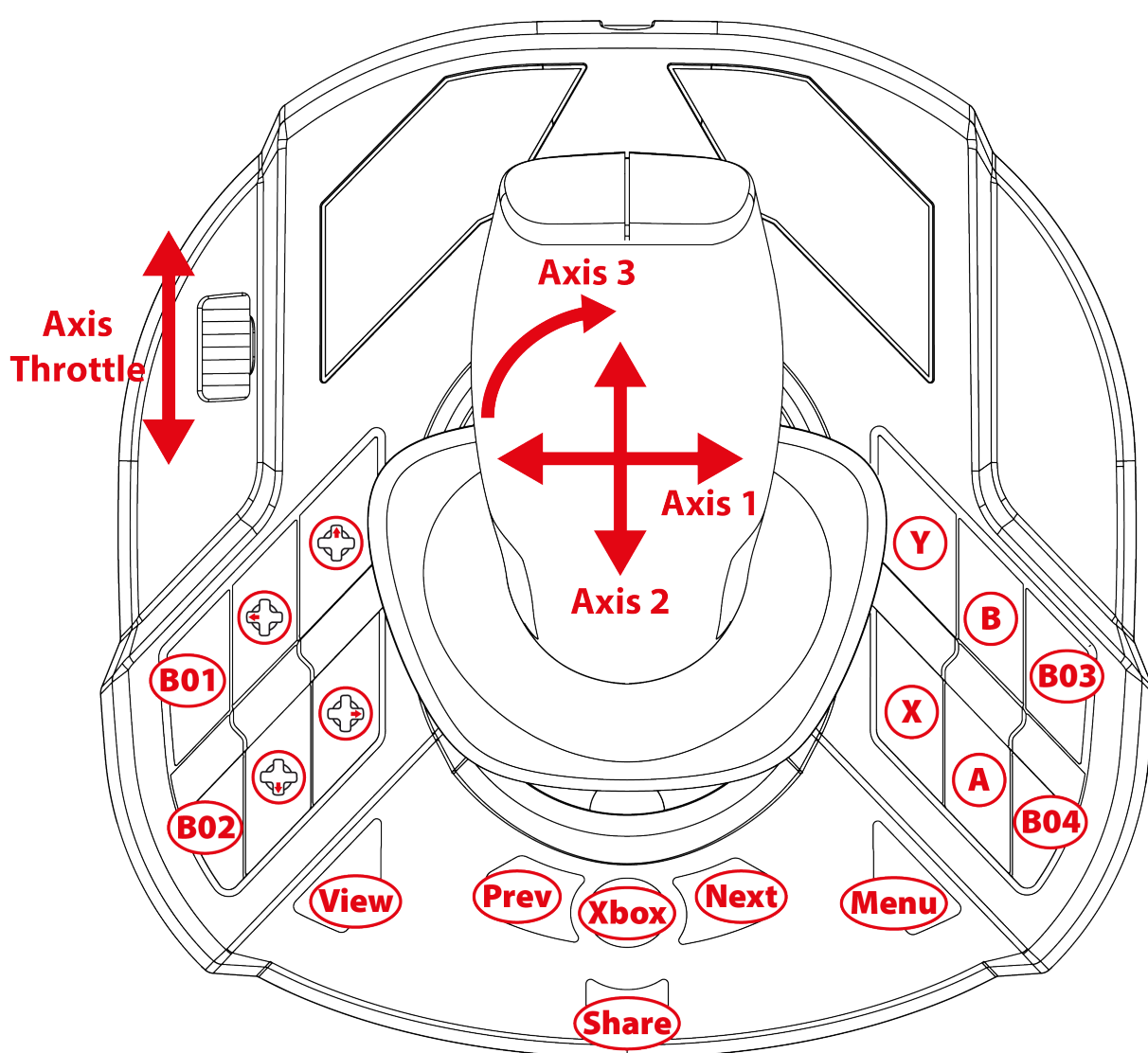


Quando colleghi il tuo joystick, per evitare problemi di calibrazione, mantieni la leva sempre in posizione centrale, senza muoverla né ruotarla.

*\*non forniti*

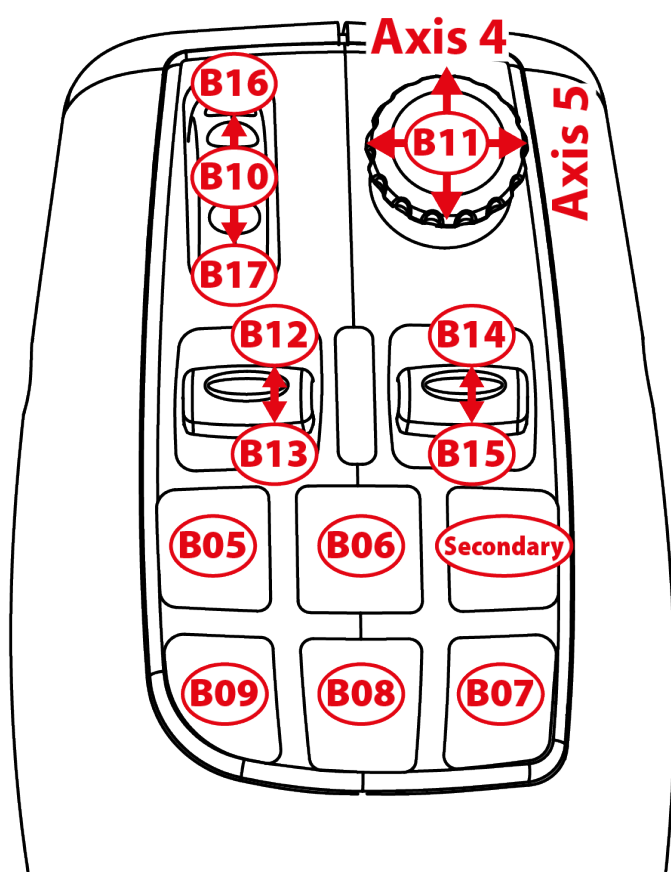


## 6. Mappatura Xbox

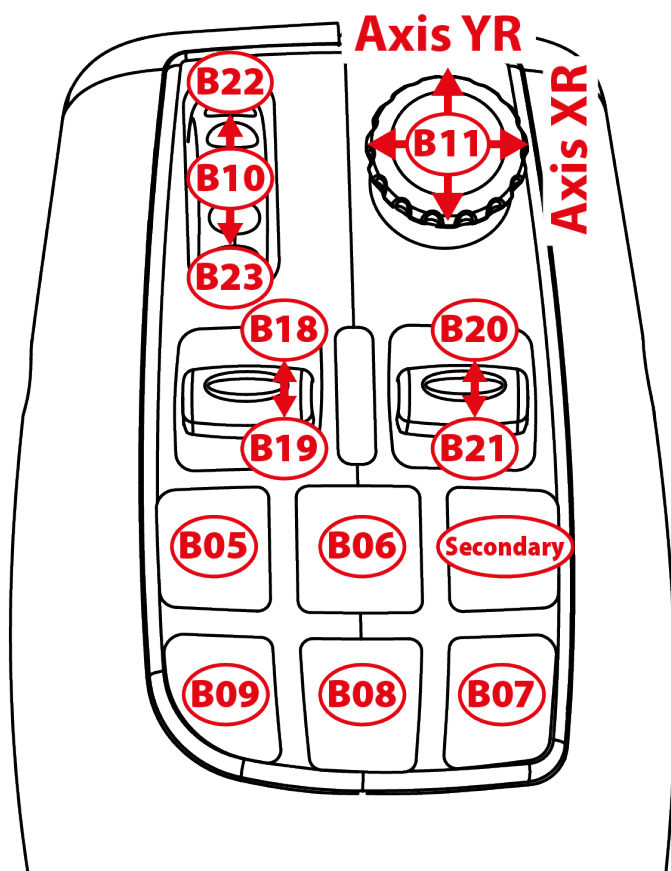


La mappatura è la stessa sia per la modalità destrimane che per la modalità mancina.

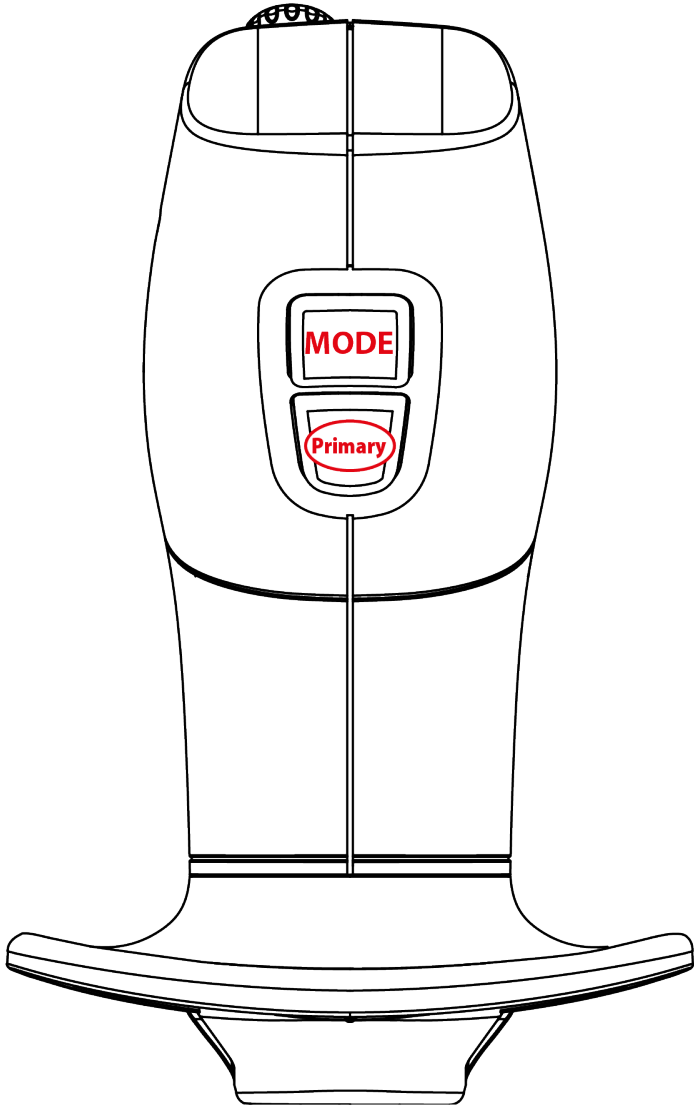
La modalità destrimane (predefinita) / mancina può essere selezionata seguendo **questa** procedura. Quando usi due joystick contemporaneamente, questa modalità ti aiuta a distinguerli.



**Modalità guida**



**Modalità lavoro**





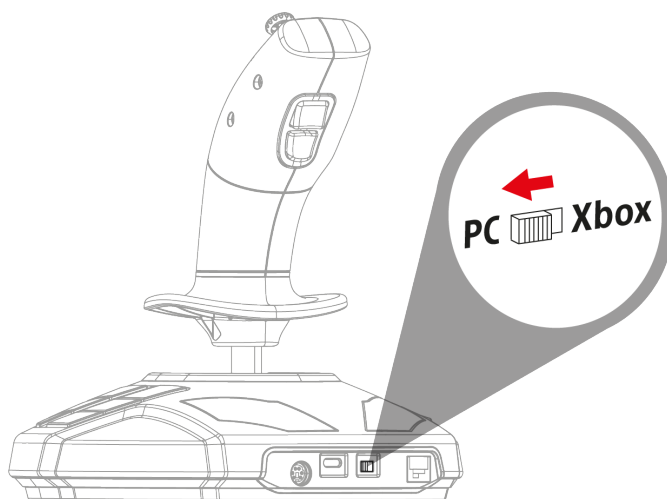
## 7. Installazione su PC

1. Visita la pagina:

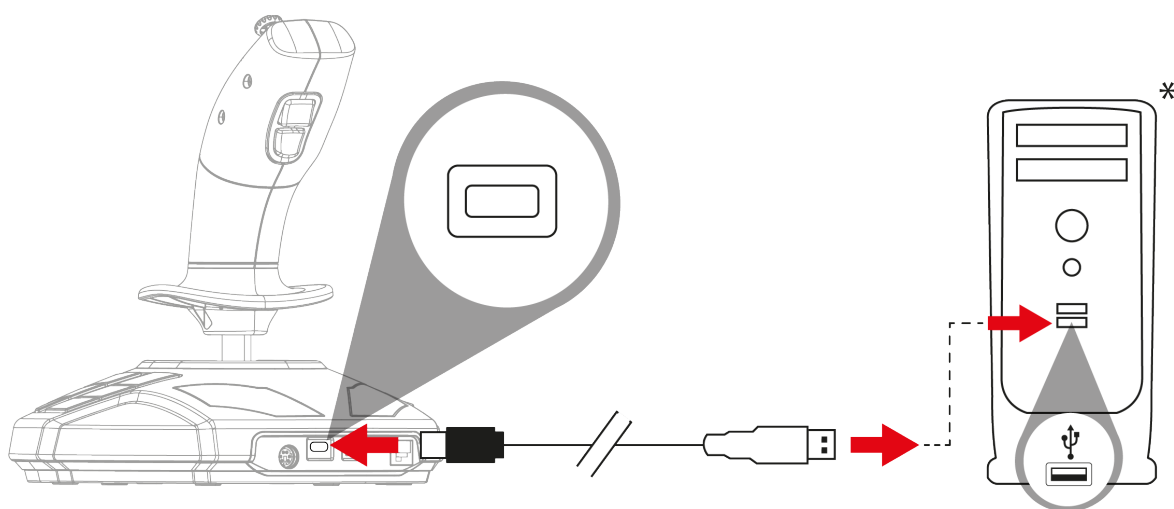
<https://support.thrustmaster.com/product/simtask-farmstick-x/>.

2. Scarica e installa il driver PC e la relativa interfaccia personalizzata per il pannello di controllo di Windows.

3. Una volta installato il driver PC, sposta il selettore **19**, presente sul retro del joystick, in posizione PC.



4. Collega il cavo USB-C – USB-A alla porta USB-C **18** del joystick e a una porta USB-A del PC\*.



\*non fornito



5. Seleziona **Start / Impostazioni / Pannello di controllo** e fai doppio clic su **Periferiche di gioco**. La finestra **Periferiche di gioco** visualizzerà il nome del joystick con stato **OK**.
6. Nella finestra **Periferiche di gioco** window, clicca su **Proprietà** per visualizzare e testare tutte le funzioni. Inoltre, puoi selezionare la modalità destrimane (predefinita) o mancina.

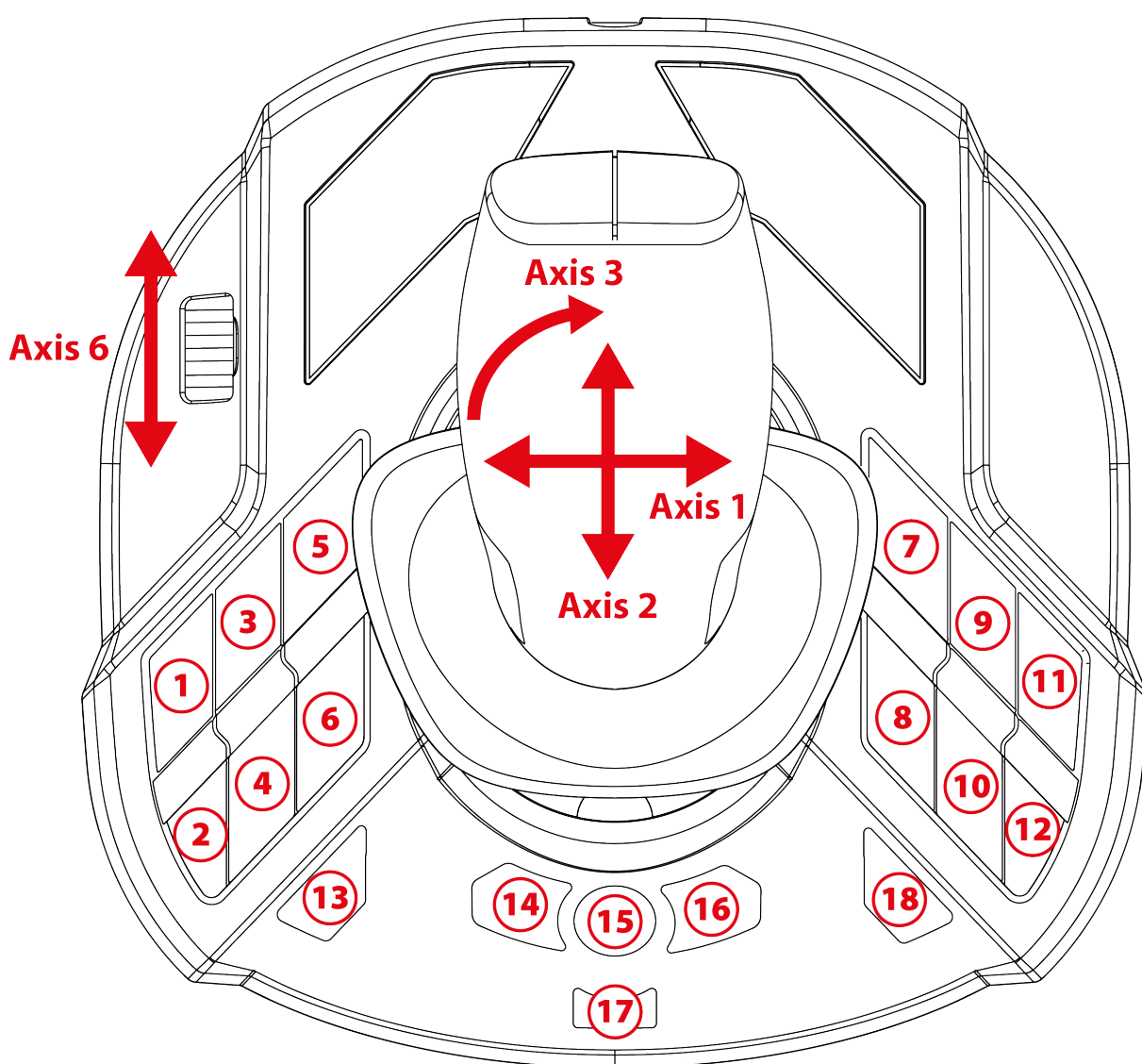
Ora sei pronto per giocare!



Quando colleghi il tuo joystick, per evitare qualsiasi problema di calibrazione, tieni sempre la leva in posizione centrale, senza muoverla né ruotarla.



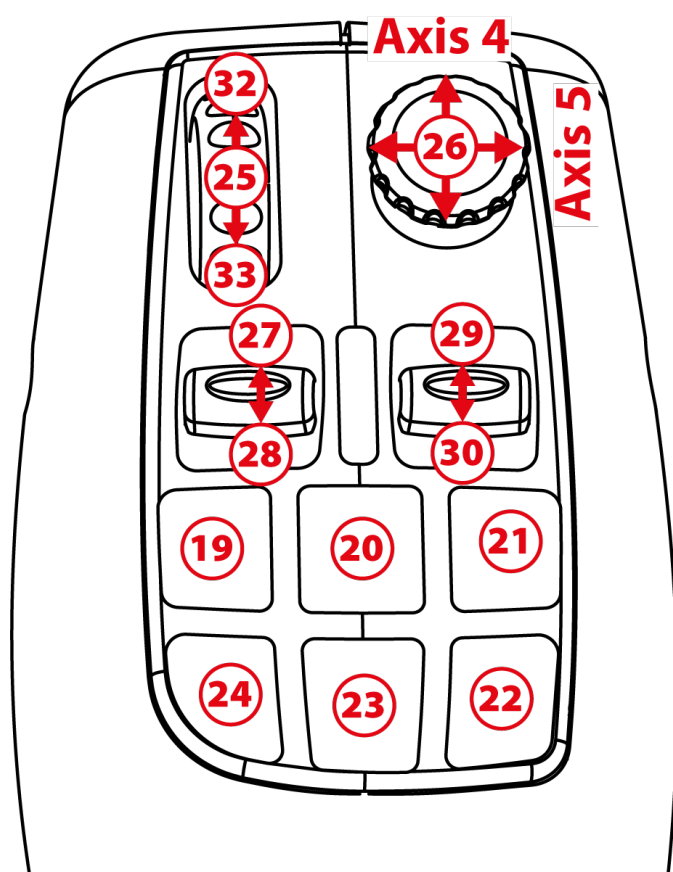
## 8. Mappatura PC



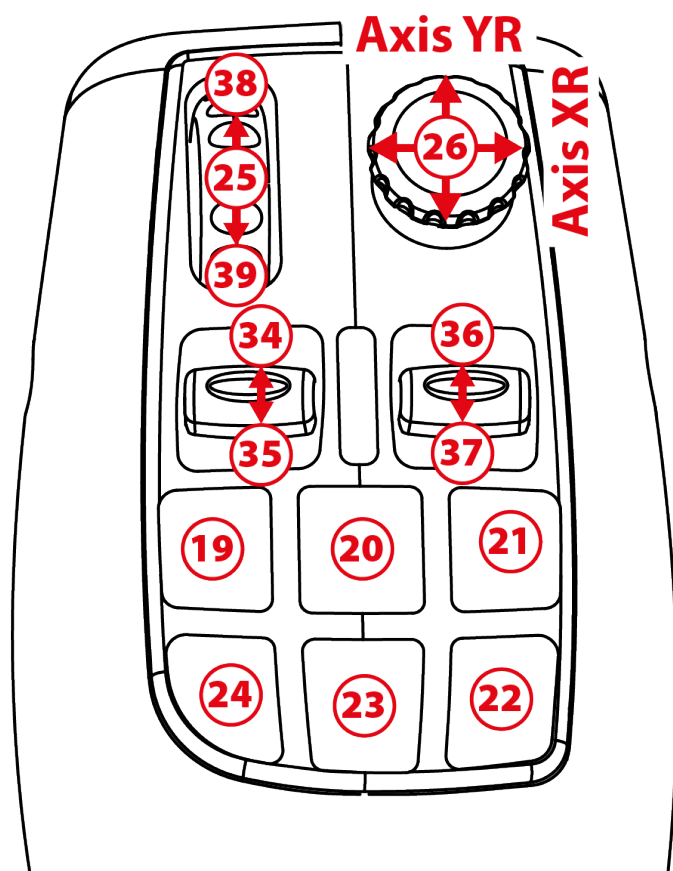
La mappatura è la stessa sia per la modalità destrimanone che per la modalità mancina.

La modalità destrimanone (predefinita) o mancina possono essere selezionate seguendo **questa** procedura o tramite il **Pannello di controllo**. Quando usi due joystick contemporaneamente, questa modalità ti aiuta a distinguerli.

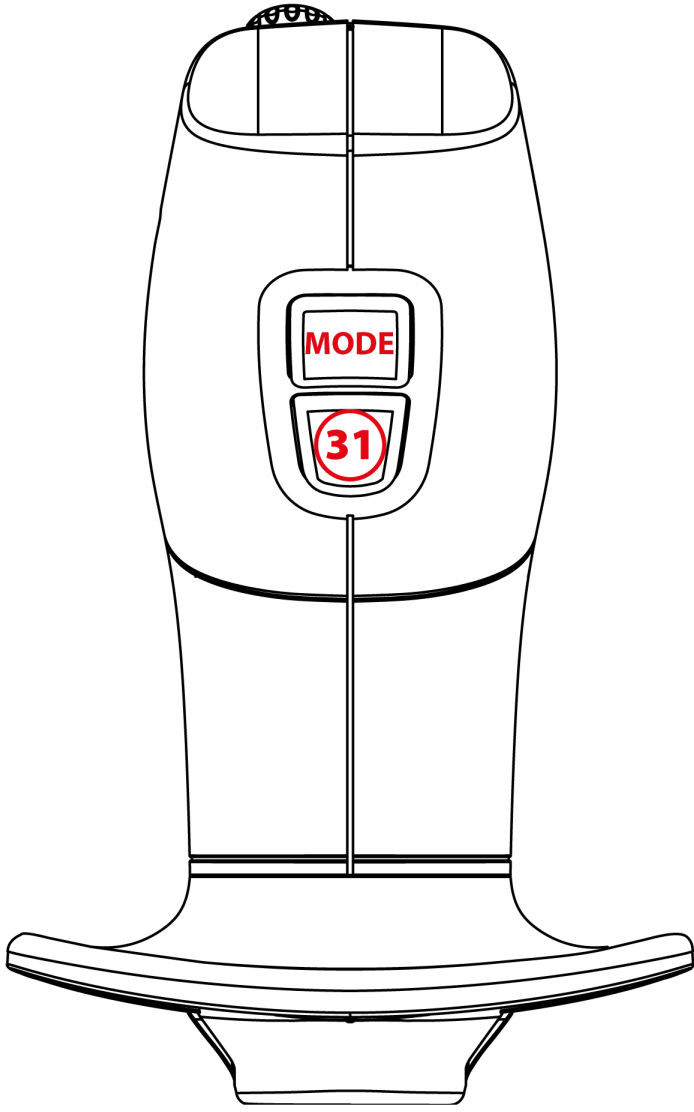




**Modalità guida**



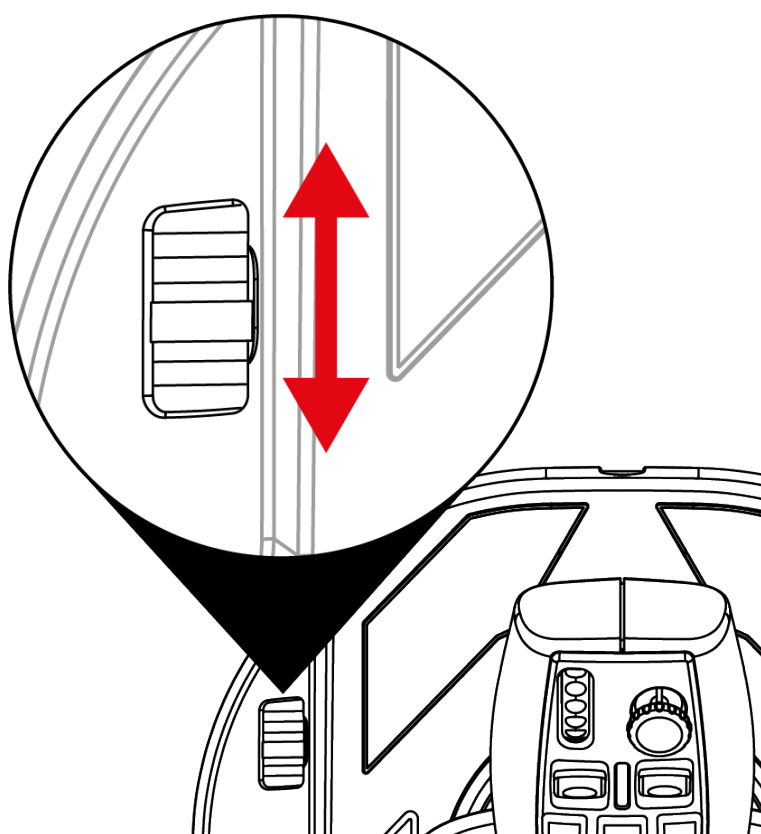
**Modalità lavoro**





## 9. Manetta

Il tuo joystick dispone di una manetta ⑧ grazie alla quale potrai controllare facilmente la velocità del motore.

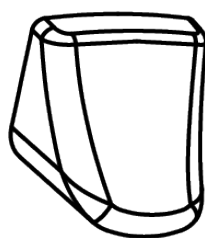




## 10. Grilletto intercambiabile

Il tuo joystick dispone di un comando a grilletto **16** che garantisce differenti ergonomie di gioco.

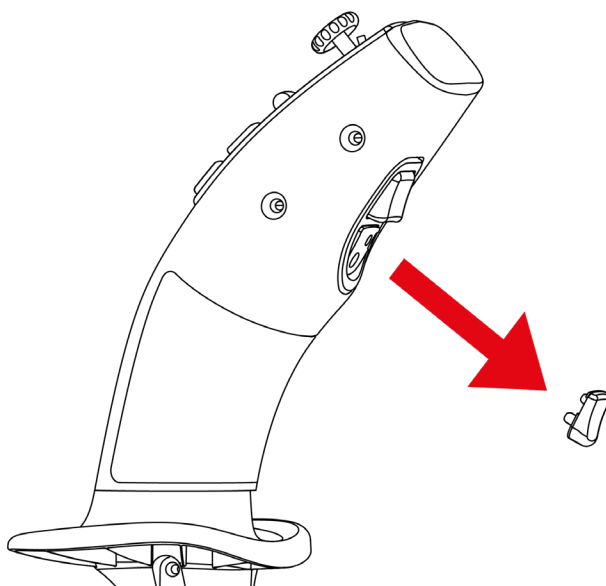
Il grilletto preinstallato può essere sostituito da un grilletto adatto alle simulazioni di volo (incluso nel SimTask FarmStick).



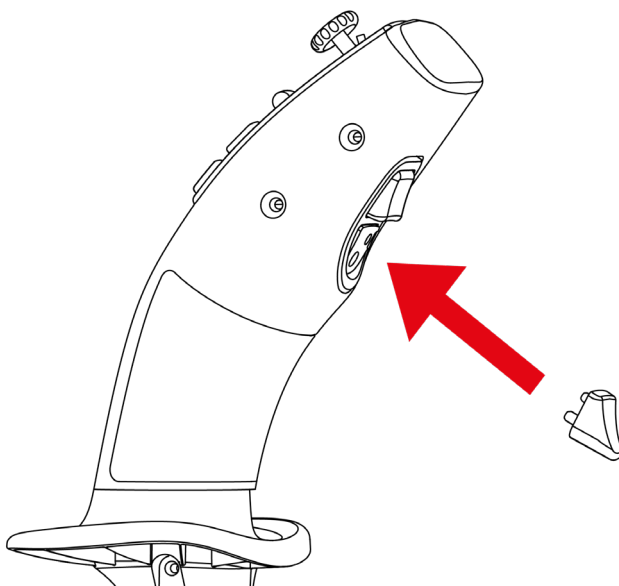


Per sostituire il grilletto:

1. Poggia le tue dita su entrambi i lati del grilletto ed estrailo accuratamente.



2. Inserisci il nuovo grilletto nella corretta posizione di montaggio.



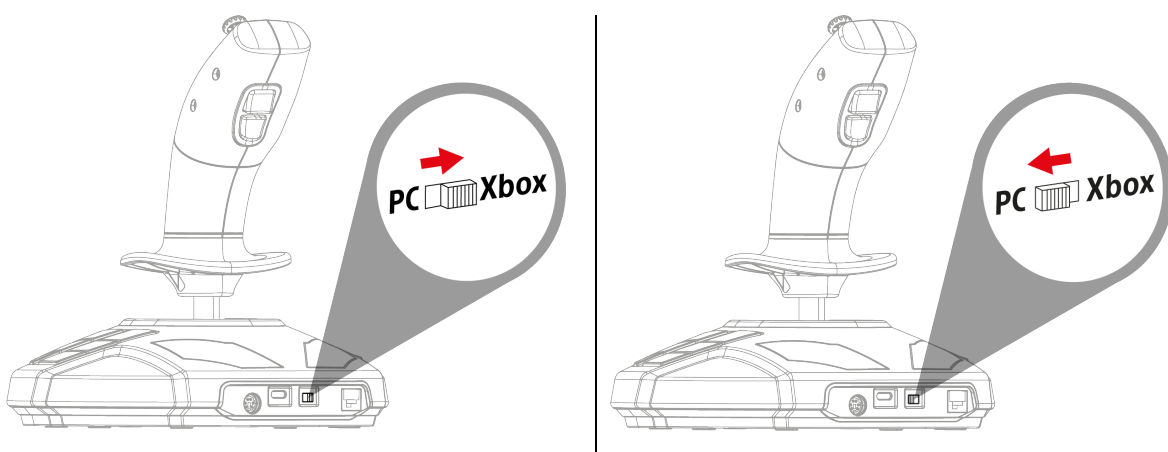
I pin di centraggio devono combaciare coi relativi fori nella leva. Non forzare l'inserimento del grilletto, altrimenti rischieresti di danneggiare i pin.



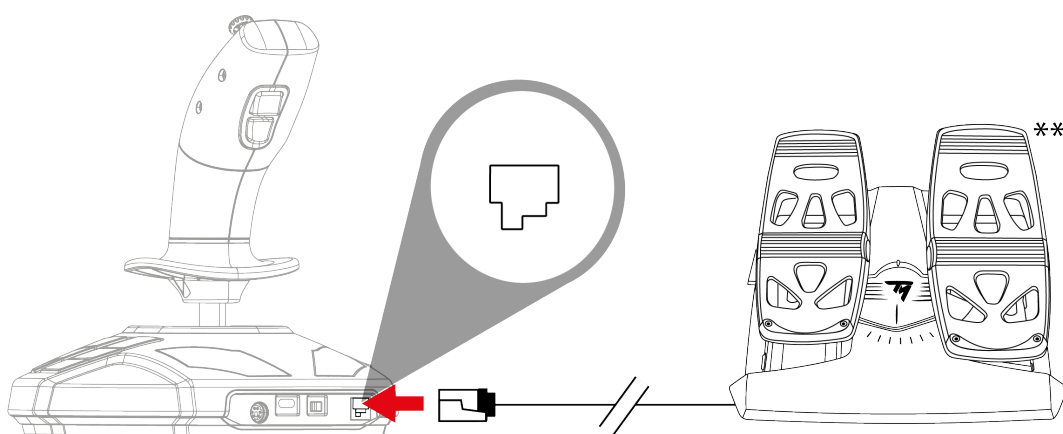
# 11. Installazione su Xbox Series X|S\* o PC\* con timone TFRP\*\*

Il timone TFRP\*\* si collega al SimTask FarmStick.

1. Sposta il selettore 19, presente sul retro del joystick, in posizione Xbox o PC.



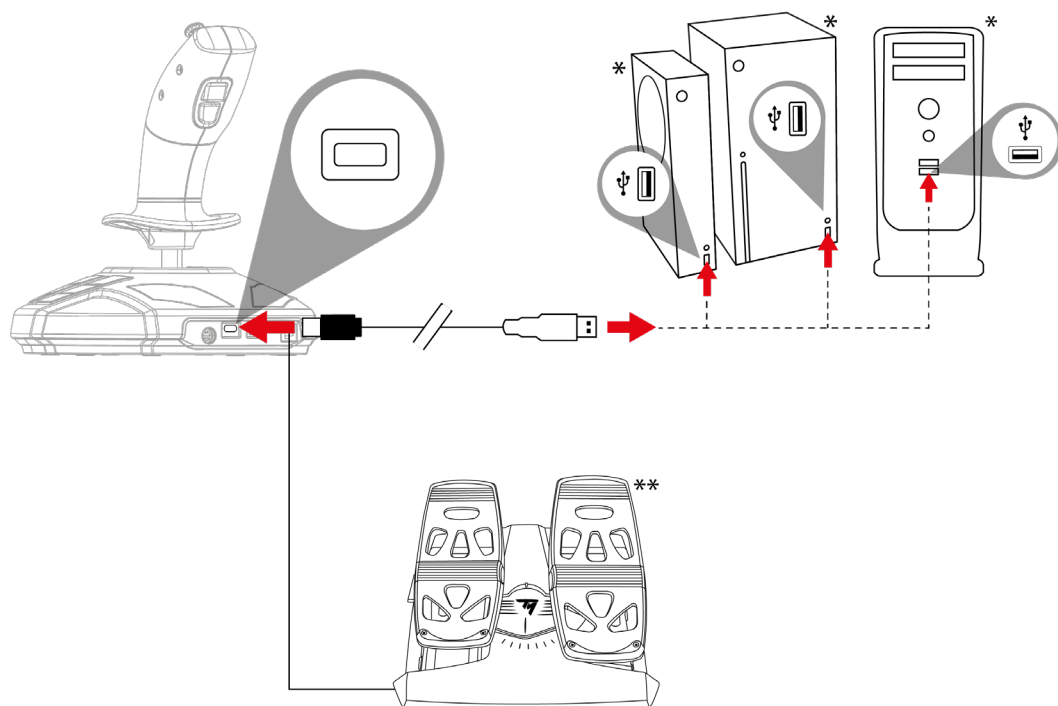
2. Collega il cavo RJ12 del timone TFRP\*\* alla porta RJ12 20 presente sul retro del joystick.



*\*non forniti / \*\*venduto separatamente*



3. Collega il cavo USB-C – USB-A alla porta USB-C 18 del joystick e alla porta USB-A della console\* o del PC\*.



- Quando colleghi il tuo joystick, per evitare qualsiasi problema di calibrazione, tieni sempre la leva in posizione centrale, senza muoverla né ruotarla.
- Quando colleghi il tuo timone al joystick, per evitare qualsiasi problema di calibrazione, mantieni sempre l'asse del timone in posizione centrale e non poggiare i piedi sui pedali del timone.

*\*non forniti / \*\*venduto separatamente*



## 12.FAQ e assistenza tecnica

***Il mio joystick non funziona correttamente o sembra essere mal calibrato.***

- Spegni la tua console o il tuo computer e scollega il tuo joystick; quindi riaccendi la tua console o il tuo computer, ricollega il tuo joystick e riavvia il tuo gioco.
- Quando colleghi il tuo joystick: per evitare qualsiasi problema di calibrazione, tieni sempre la leva in posizione centrale, senza muoverla né ruotarla.
- Quando colleghi il tuo timone al joystick: per evitare qualsiasi problema di calibrazione, mantieni sempre l'asse del timone in posizione centrale e non poggiare i piedi sui pedali del timone.





## ***Non riesco a configurare il mio joystick.***

- Nel menu **Opzioni / Controller / Gamepad** o **Joystick** del tuo gioco: seleziona la configurazione più appropriata o riconfigura completamente le opzioni del controller.
- Per ulteriori informazioni, consulta il manuale d'uso o l'aiuto online del tuo gioco.



## *Il mio joystick è troppo sensibile o troppo poco sensibile.*

- Il tuo joystick si calibra automaticamente non appena avrai compiuto dei movimenti lungo i suoi vari assi.
- Nel menu **Opzioni / Controller / Gamepad** o **Joystick** del tuo gioco: regola la sensibilità e le zone morte del tuo joystick (qualora tali opzioni fossero disponibili).

Hai delle domande riguardanti il SimTask FarmStick o stai riscontrando dei problemi tecnici? Se così fosse, visita il sito web di assistenza tecnica Thrustmaster:

<https://support.thrustmaster.com/product/simtask-farmstick-x/>.



# **THRUSTMASTER®**



# **SIMTASK FARMSTICK**

**XBOX SERIES X|S – PC**

## **Manual del usuario**



**Lee atentamente** las instrucciones proporcionadas en este manual **antes** de instalar el producto, **antes** de usar el producto y **antes** de realizar cualquier mantenimiento. Asegúrate de seguir las instrucciones de seguridad. El incumplimiento de estas instrucciones puede provocar accidentes y/o daños. Conserva este manual para poder consultar las instrucciones en el futuro.

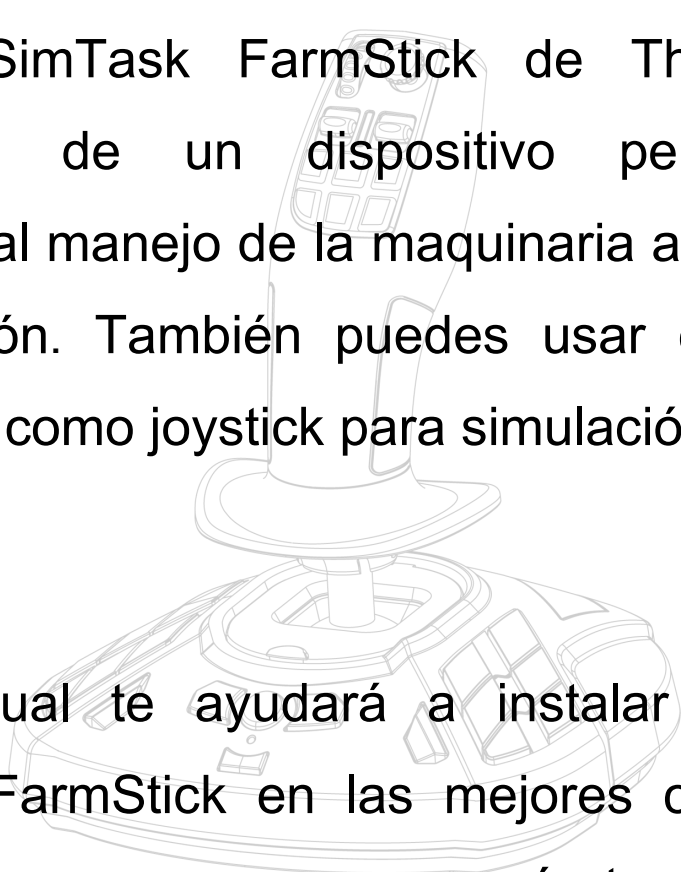
# TABLA DE CONTENIDO

<b>1.</b>	<b>CONTENIDO DE LA CAJA .....</b>	<b>5</b>
<b>2.</b>	<b>CARACTERÍSTICAS .....</b>	<b>6</b>
<b>3.</b>	<b>INFORMACIÓN RELATIVA AL USO .....</b>	<b>9</b>
<b>4.</b>	<b>CONOCE EL JOYSTICK .....</b>	<b>12</b>
	<i>Puntos clave .....</i>	<b>12</b>
	<i>Tecnología de precisión H.E.A.R.T. (HallEffect AccuRate Technology) .....</i>	<b>13</b>
	<i>Modo Conducción &lt;&gt; Modo Trabajo .....</i>	<b>14</b>
	<i>Empuñadura giratoria .....</i>	<b>17</b>
	<i>Mini-stick “Punto de vista” .....</i>	<b>18</b>
	<i>Conectividad del SimTask FarmStick en Xbox Series X S* y PC* .....</i>	<b>19</b>
	<i>Configuración del joystick para diestros y zurdos .....</i>	<b>21</b>

<b>5.</b>	<b>INSTALACIÓN EN XBOX SERIES X S.....</b>	<b>24</b>
<b>6.</b>	<b>MAPEADO EN XBOX.....</b>	<b>26</b>
<b>7.</b>	<b>INSTALACIÓN EN PC.....</b>	<b>29</b>
<b>8.</b>	<b>MAPEADO EN PC .....</b>	<b>31</b>
<b>9.</b>	<b>MANDO DE POTENCIA.....</b>	<b>34</b>
<b>10.</b>	<b>GATILLO INTERCAMBIABLE.....</b>	<b>35</b>
<b>11.</b>	<b>INSTALACIÓN EN XBOX SERIESX S* O PC*</b>	
	<b>CON EL TIMÓN TFRP** .....</b>	<b>37</b>
<b>12.</b>	<b>PREGUNTAS FRECUENTES Y SOPORTE</b>	
	<b>TÉCNICO .....</b>	<b>39</b>



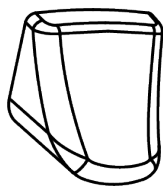
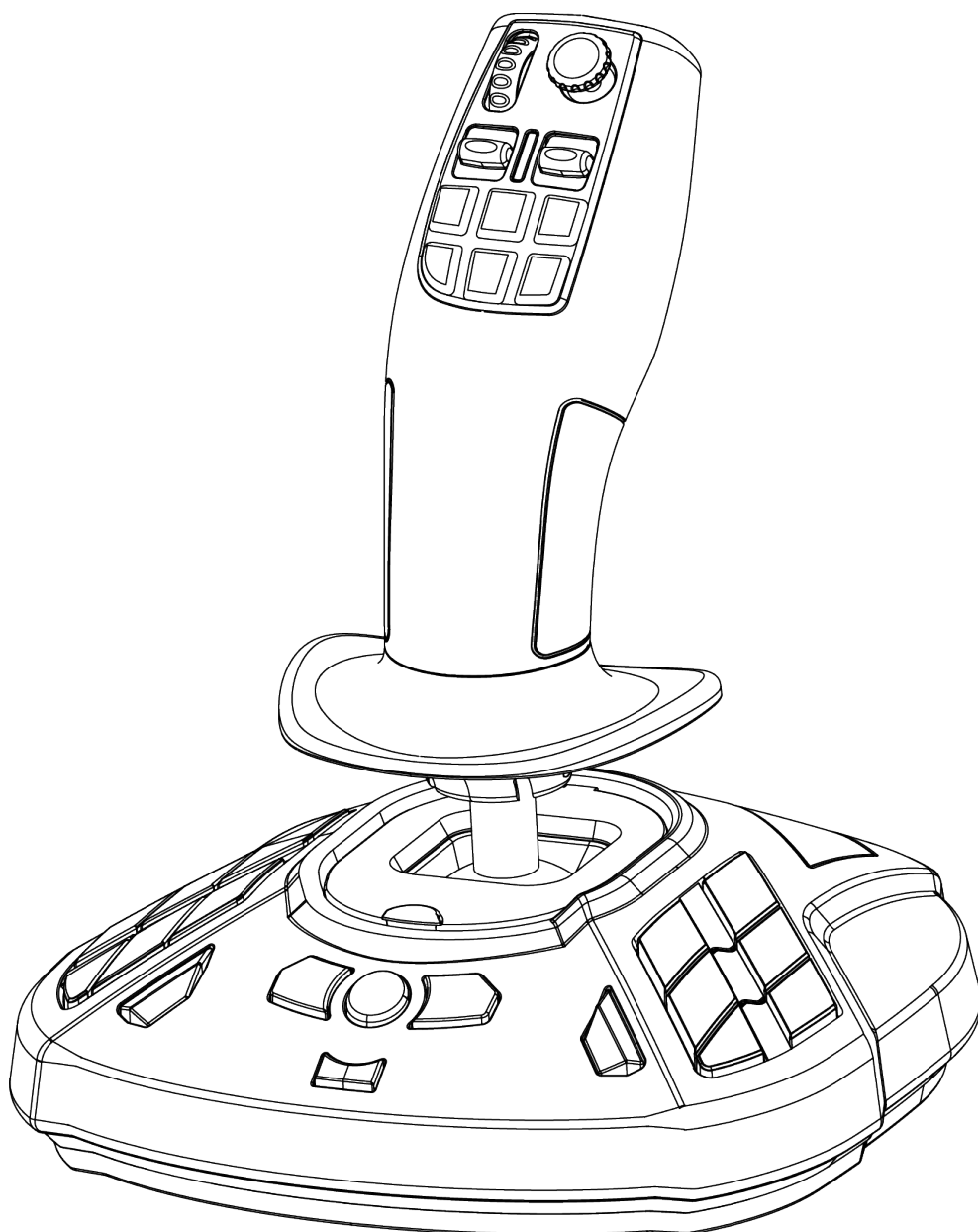
Con el SimTask FarmStick de Thrustmaster, disfrutarás de un dispositivo perfectamente adaptado al manejo de la maquinaria agrícola y de construcción. También puedes usar el SimTask FarmStick como joystick para simulación de vuelo.



Este manual te ayudará a instalar y usar el SimTask FarmStick en las mejores condiciones. Antes de empezar, asegúrate de leer detenidamente todas estas instrucciones y advertencias: te ayudarán a disfrutar al máximo del producto.

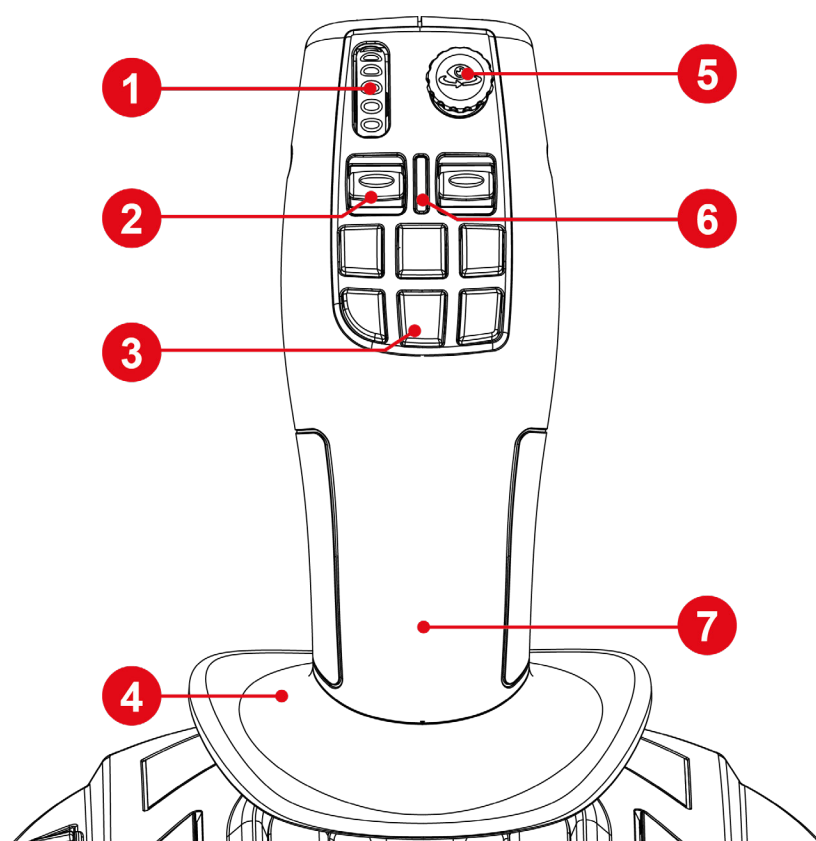


# 1. Contenido de la caja



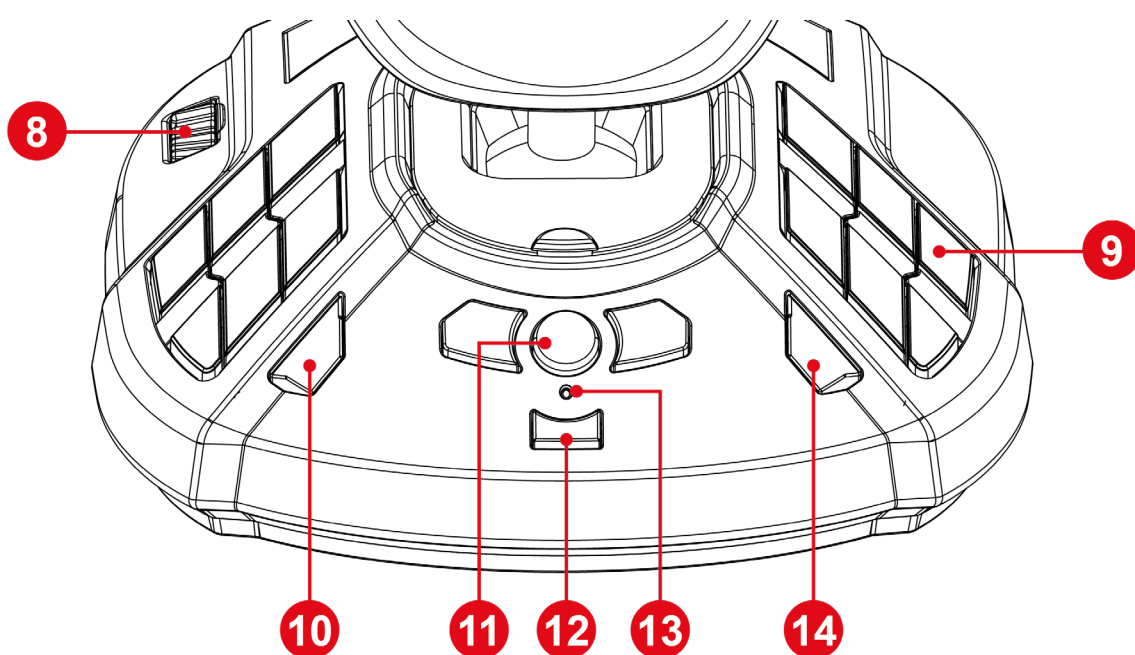


## 2. Características

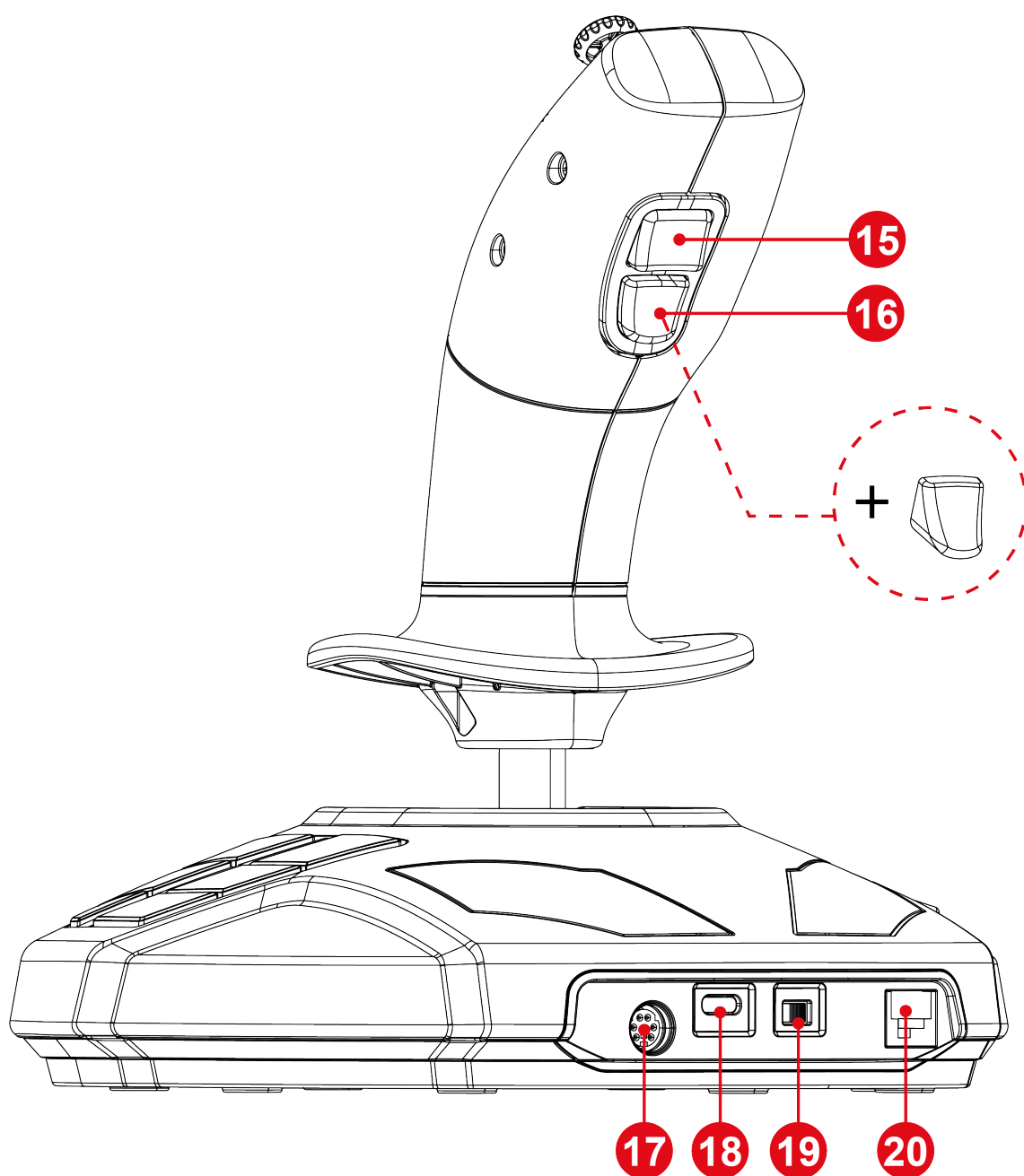


1. Rueda para el pulgar
2. Interruptor basculante
3. Botones de acción rápida
4. Reposamanos
5. Mini-stick "Punto de vista"
6. LED indicador de modo de empuñadura
7. Empuñadura ambidextra





- 8. Mando de potencia
- 9. Botones de acción programables
- 10. Botón View (Vista)
- 11. Botón Xbox
- 12. Botón Share (Compartir)
- 13. Luz indicadora
- 14. Botón Menu (Menú)



- 15. Botón de cambio de modo de empuñadura
- 16. Gatillo de acción intercambiable
- 17. Puerto DIN para accesorios adicionales\*
- 18. Puerto USB-C
- 19. Selector Xbox / PC
- 20. Puerto RJ12 para timón\* TFRP

*\*se vende por separado*



### 3. Información relativa al uso



#### **Documentación**

Antes de usar este producto, vuelve a leer detenidamente esta documentación y consérvala para consultarla en el futuro.



### **Descarga eléctrica**

- Mantén el producto en un lugar seco y no lo expongas al polvo ni a la luz directa del sol.
- Sigue las indicaciones de conexión.
- No retuerzas ni tires de los conectores ni de los cables.
- No derrames líquidos en el producto ni en sus conectores.
- No cortocircuites el producto.
- No desmontes nunca el producto ni lo lances al fuego ni lo expongas a temperaturas elevadas.
- No abras el dispositivo: en su interior no hay piezas que el usuario pueda reparar. Las reparaciones las debe realizar el fabricante, un agente autorizado o un técnico cualificado.



### **Asegurar la zona de juego**

- No coloques en la zona de juego ningún objeto que pueda perturbar la práctica del usuario, o que pueda provocar un movimiento inapropiado o una interrupción por parte de otra persona (taza de café, teléfono o llaves, por ejemplo).
- No cubras los cables de alimentación con una alfombra o moqueta, manta o cobertor o cualquier otro elemento, y no coloques ningún cable en el paso de las personas.



## 4. Conoce el joystick

### *Puntos clave*

- 33 botones y 6 ejes virtuales, incluida una rueda para el pulgar y dos interruptores basculantes
- 6 ejes, incluido un mini-stick, la rotación de la empuñadura del joystick y un mando de potencia
- LED indicador de modo de empuñadura
- Tecnología H.E.A.R.T. (HallEffect AccuRate Technology)
- Conexión al puerto USB-A
- Mando de potencia
- Puerto RJ12 para timón\* TFRP

*\*se vende por separado*



## ***Tecnología de precisión H.E.A.R.T. (HallEffect AccuRate Technology)***

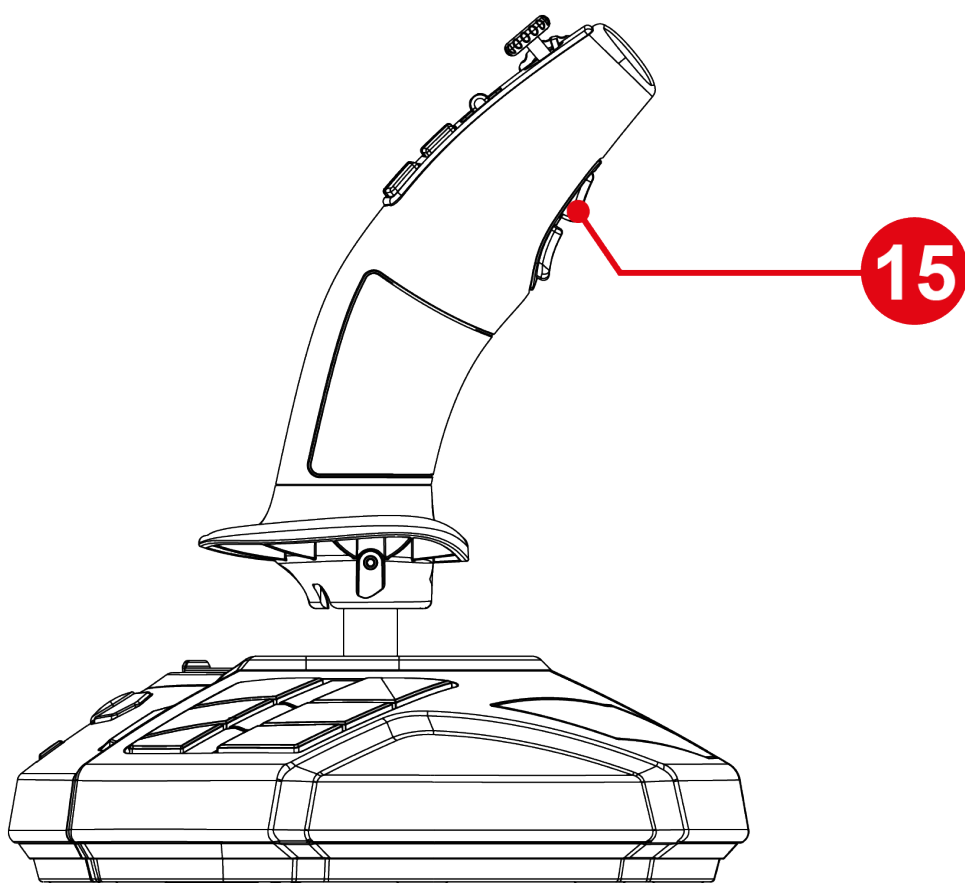
El SimTask FarmStick cuenta con tecnología que le proporciona un nivel de precisión actualmente inigualable en el mundo de los joysticks de gaming, que incluye:

- Sensores magnéticos 3D (Efecto Hall) en la empuñadura, con una resolución de más de 268 millones de valores en los ejes X e Y (16.384 x 16.384 valores).
- Un imán: sin fricción, para lograr una precisión ilimitada y una capacidad de respuesta increíble que perdurará.
- Un muelle helicoidal en la empuñadura (2,8 mm): para lograr una tensión firme, lineal y muy fluida.



## **Modo Conducción <=> Modo Trabajo**

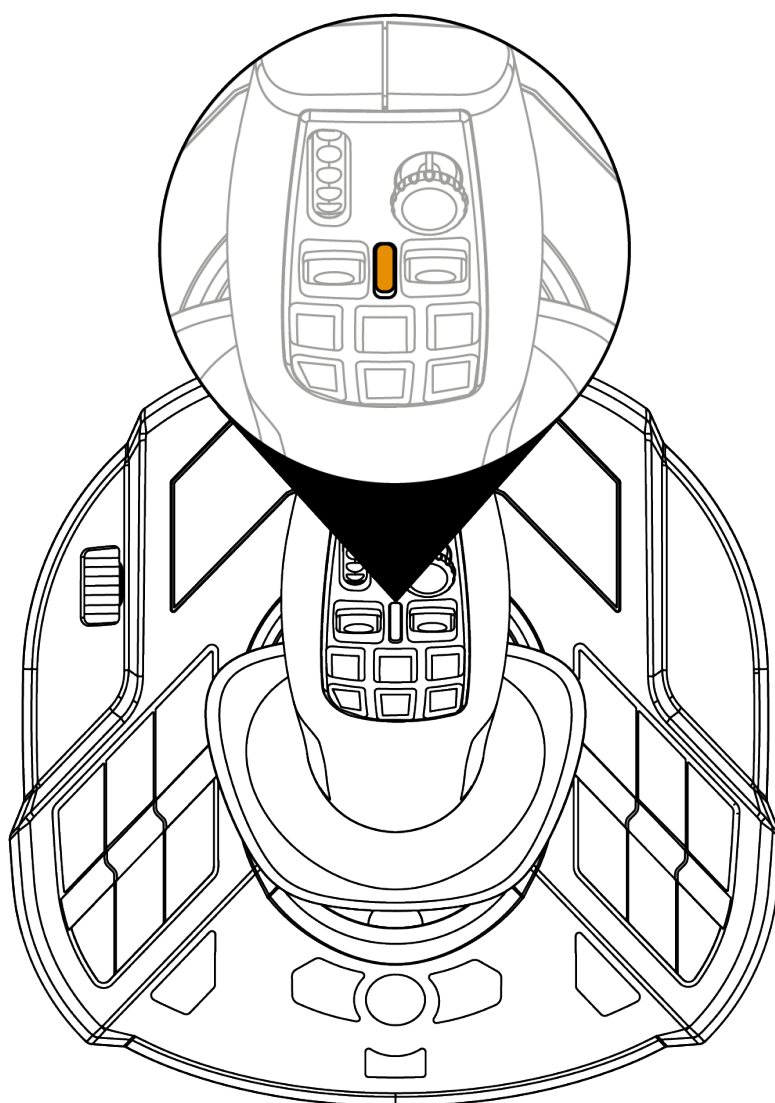
El botón **15** te permite cambiar del modo **Conducción** al modo **Trabajo** y viceversa.



Esta función amplía la gama de acciones que se pueden realizar con el pulgar, es decir, a través de la rueda para el pulgar **1** y los dos interruptores basculantes **2**.

El cambio de modo modifica la acción asociada con la rueda para el pulgar **1** y los dos interruptores basculantes **2**.





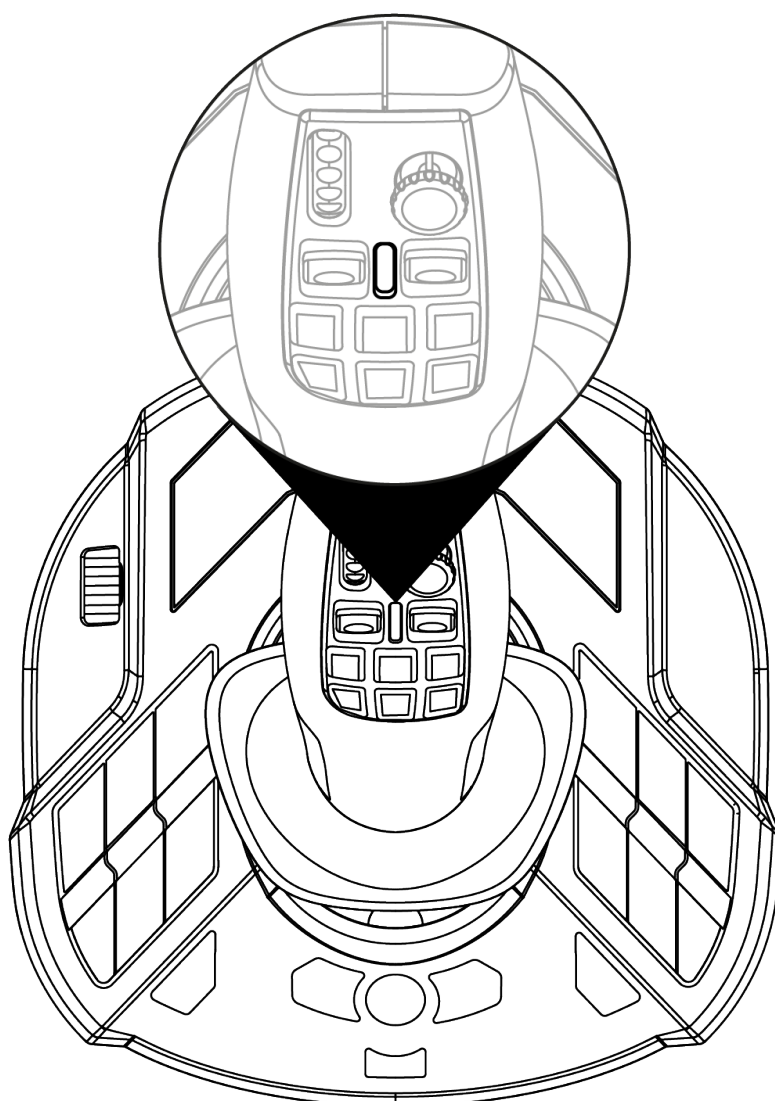
### **Modo Conducción (predeterminado)**

En el modo **Conducción**, el LED indicador del modo de empuñadura ⑥ tiene color naranja.



En el modo **Conducción**, la acción asociada con la rueda para el pulgar ① y los interruptores basculantes ② puede ser la siguiente:

- Rueda para el pulgar: control del punto de ajuste del regulador.
- Interruptores basculantes: gestión de la caja de cambios.



## Modo Trabajo

En el modo **Trabajo**, el LED indicador del modo de empuñadura **6** tiene color blanco.



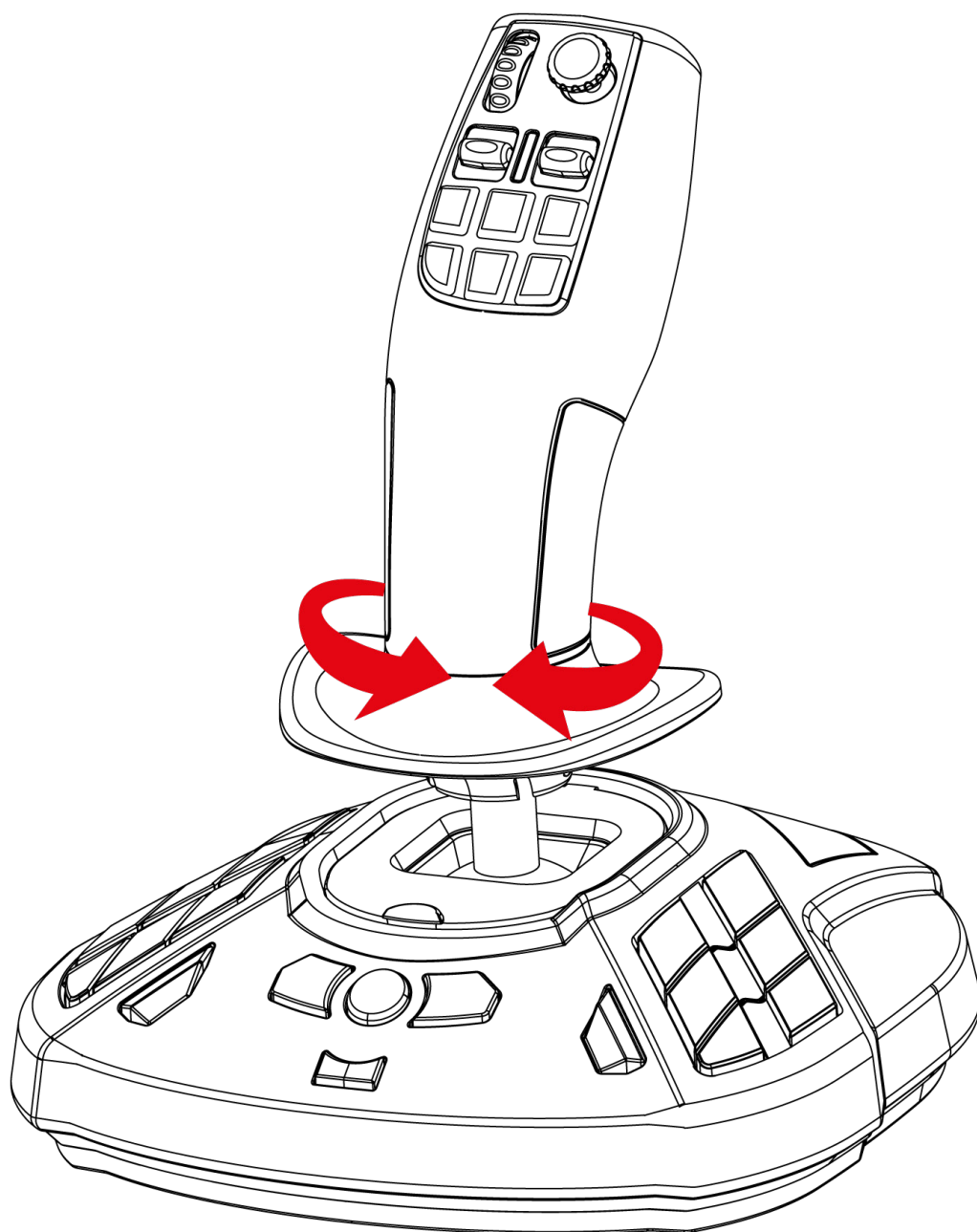
En el modo **Trabajo**, la acción asociada con la rueda para el pulgar **1** y los interruptores basculantes **2** puede ser la siguiente:

- Rueda para el pulgar: control del zoom de la cámara.
- Interruptores basculantes: control de brazos de grúa o cargadoras.



## *Empuñadura giratoria*

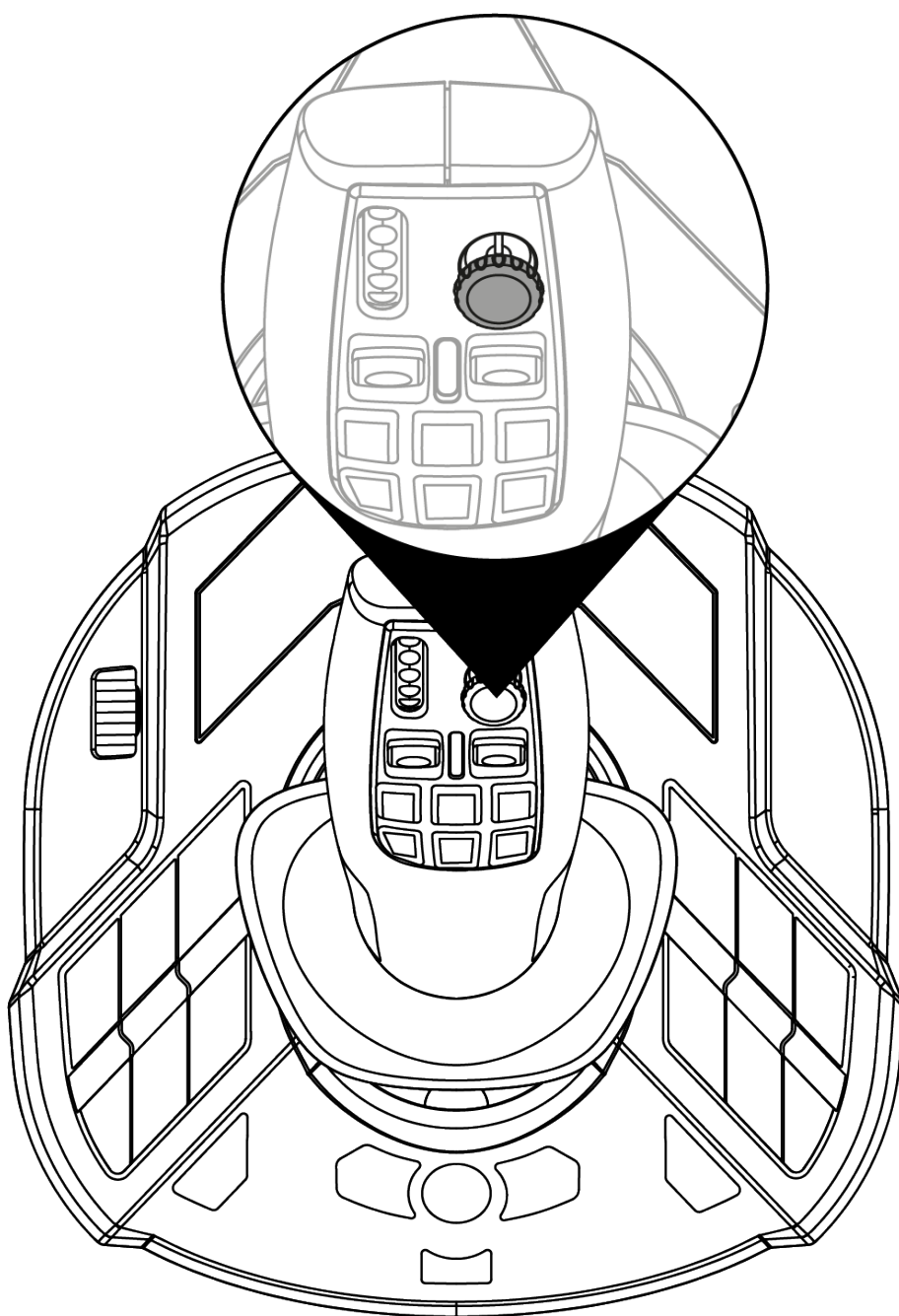
El SimTask FarmStick cuenta con una empuñadura que gira sobre su eje horizontal. Esto es útil para maniobrar un cabezal de grúa o una excavadora, por ejemplo.





## *Mini-stick “Punto de vista”*

El SimTask FarmStick cuenta con un mini-stick “Punto de vista” ⑤ que te permite ver lo que está en el campo de visión del operario de la máquina.





## ***Conectividad del SimTask FarmStick en Xbox Series X|S\* y PC\****

El SimTask FarmStick cuenta con seis ejes, pero ofrece la opción de conectar un timón TFRP\*\* a la parte posterior del joystick. Esto te proporciona dos ejes adicionales, así como control del timón con el TFRP.

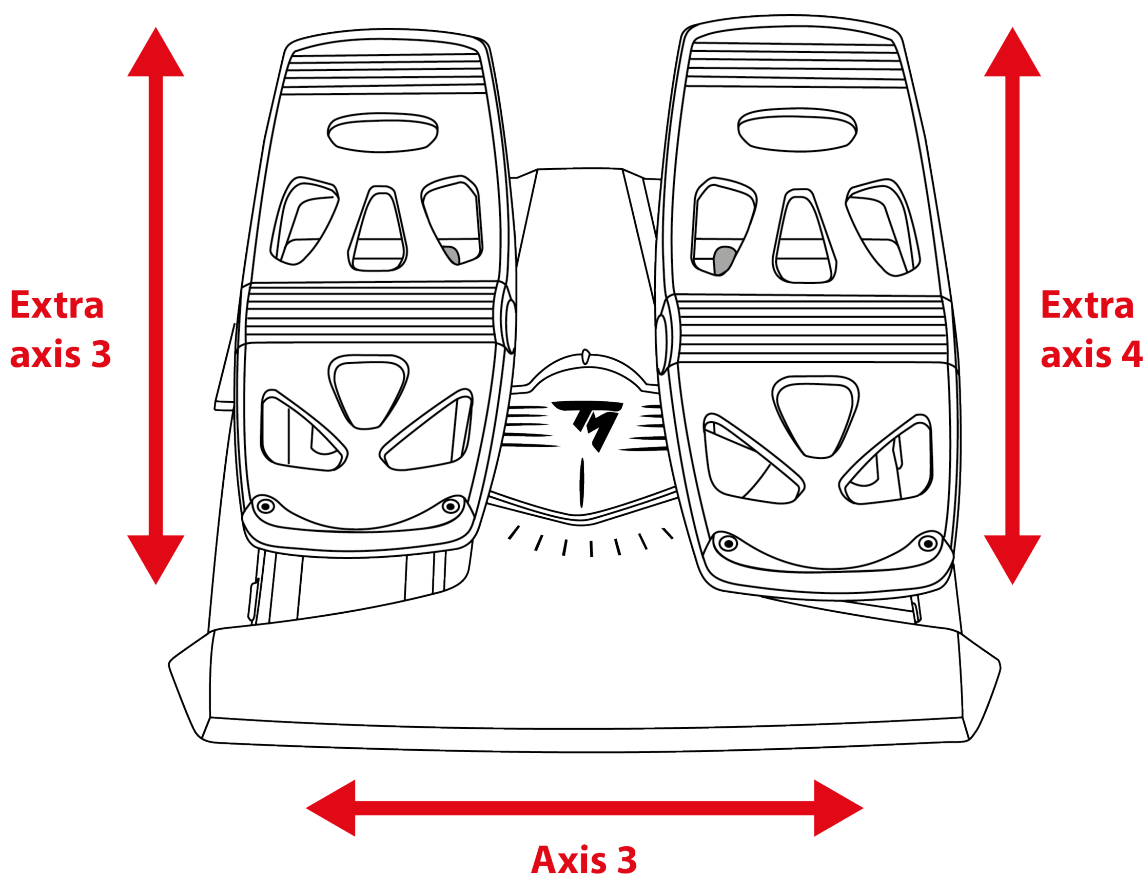


El timón TFRP es el único dispositivo compatible con Xbox Series X|S y PC.

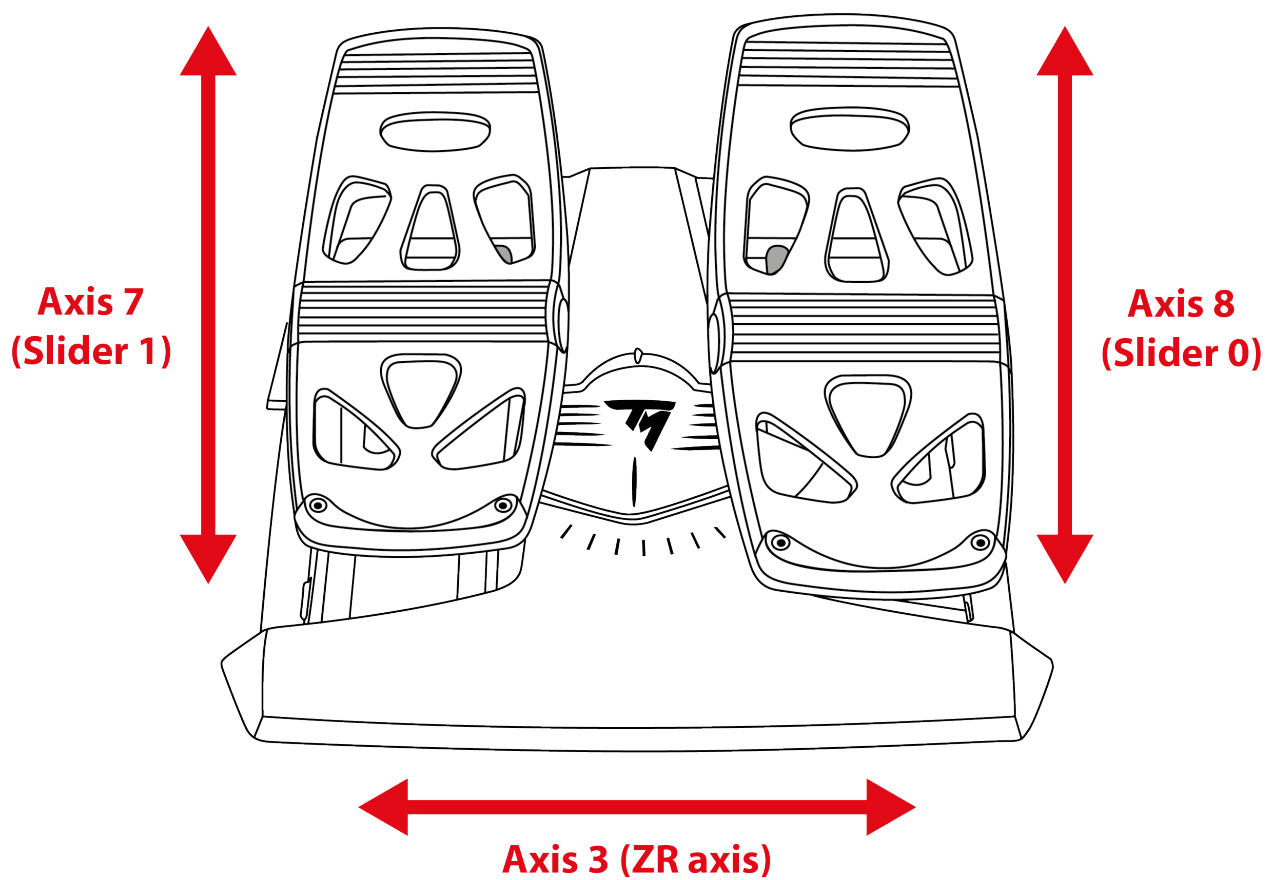
*\* no se suministra / \*\*se vende por separado*



Mapeado para Xbox:



Mapeado para PC:





## ***Configuración del joystick para diestros y zurdos***

El SimTask FarmStick es ambidextro para adaptarse perfectamente a todos los jugadores, ya sean diestros o zurdos.

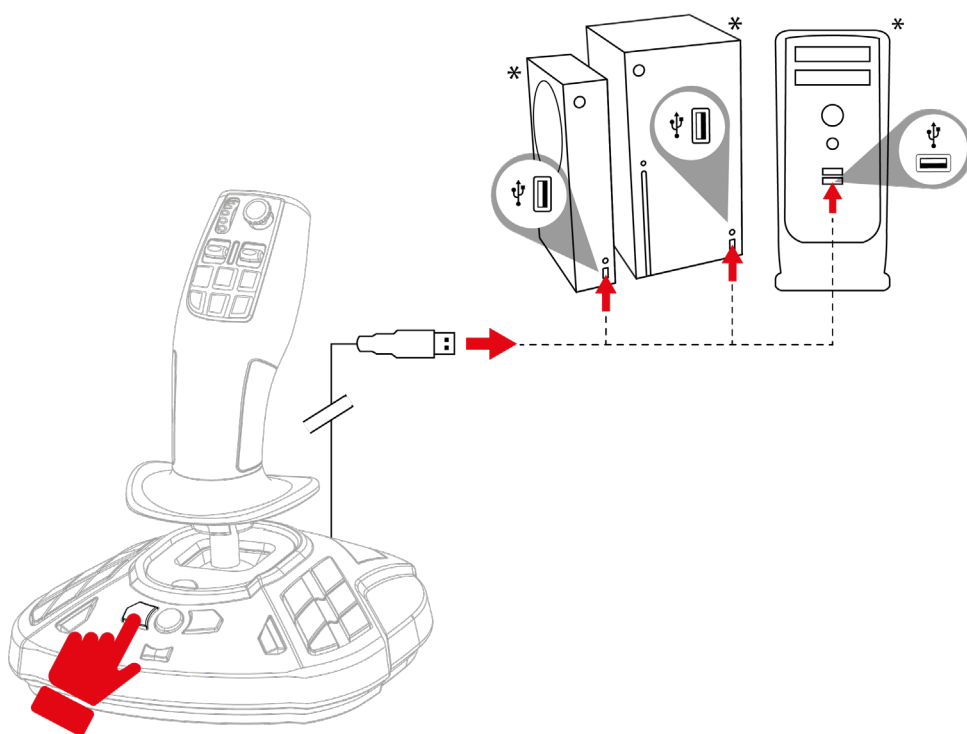
De forma predeterminada, el joystick está configurado en modo para diestros.



Para configurar el joystick en modo para ZURDOS:

1. Mantén pulsado el botón 14 (en PC) o Anterior (en Xbox Series X|S) cuando conectes el SimTask FarmStick a la Xbox Series X|S o al PC.

La luz indicadora LED de la empuñadura **6** parpadeará en blanco durante cinco segundos.



2. Suelta el botón 14 (en PC) o Anterior (en Xbox Series X|S).



El modo para ZURDOS se guarda automáticamente en la memoria interna del SimTask FarmStick.

*\*no se suministra*

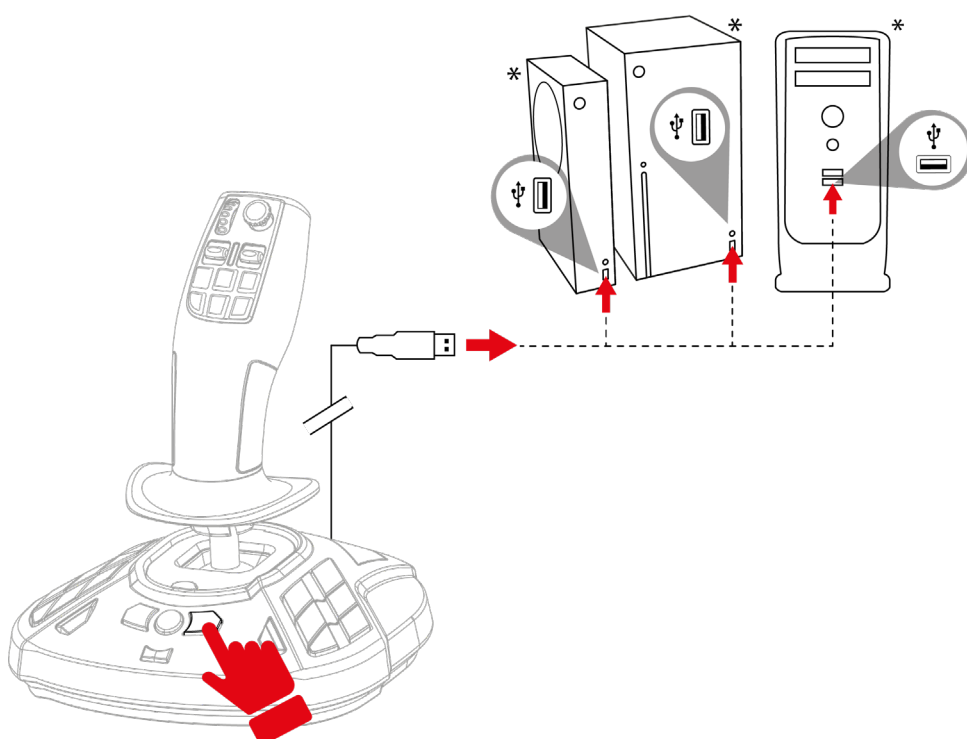




Para restablecer el joystick al modo para DIESTROS:

1. Mantén pulsado el botón 16 (en PC) o Siguiente (en Xbox Series X|S) cuando conectes el SimTask FarmStick a la Xbox Series X|S o al PC.

La luz indicadora LED de la empuñadura **6** parpadeará en naranja durante cinco segundos.



2. Suelta el botón 16 (en PC) o Siguiente (en Xbox Series X|S).



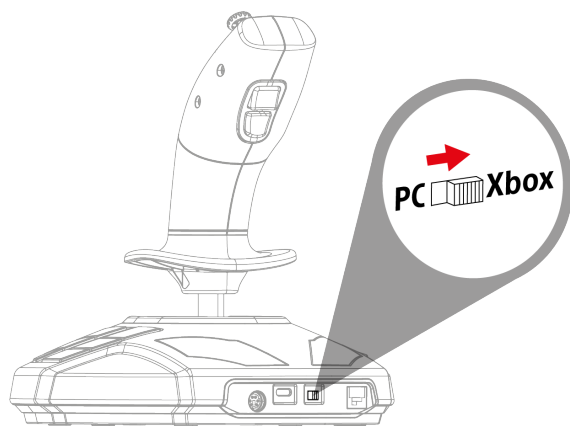
El modo para DIESTROS se guarda automáticamente en la memoria interna del SimTask FarmStick.

*\*no se suministra*

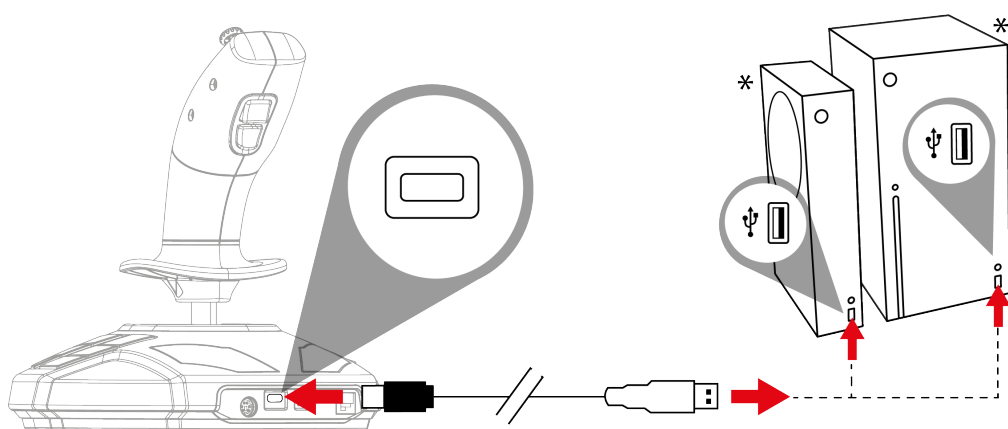


## 5. Instalación en Xbox Series X|S

1. Coloca el interruptor **19** de la parte posterior del joystick en la posición Xbox.



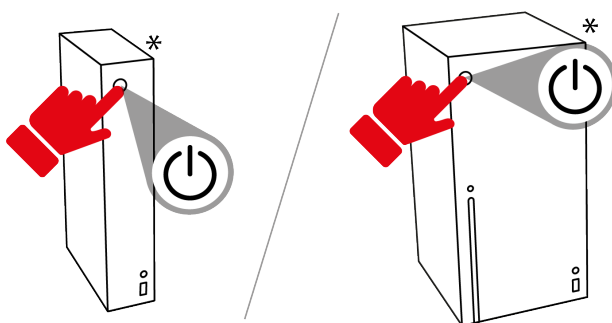
2. Conecta el cable USB-C – USB-A al puerto USB-C del joystick **18** y a uno de los puertos USB-A de la consola\*.



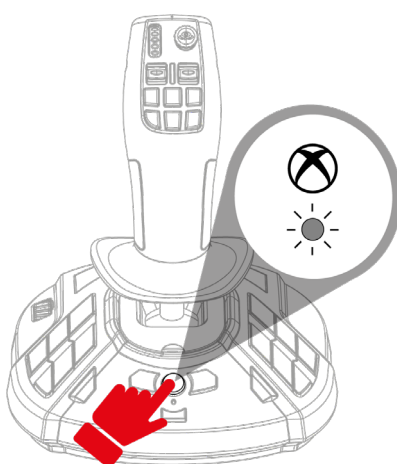
\*no se suministra



3. Enciende la consola.



4. Pulsa el botón Xbox. La luz indicadora del joystick se encenderá en color blanco.



5. Inicia un juego compatible.

¡Ya estás preparado para jugar!

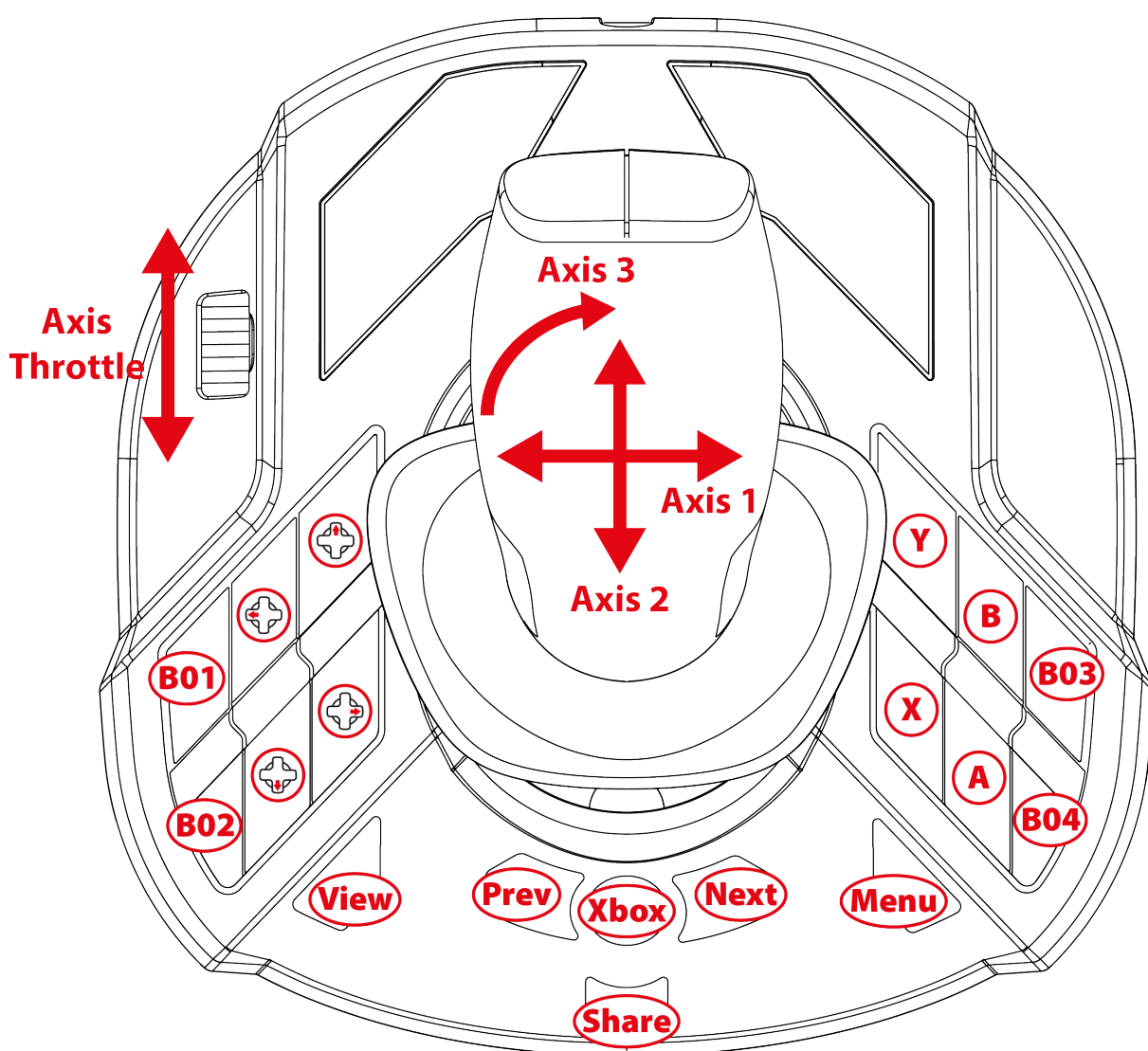


Al conectar el joystick, mantén siempre la empuñadura en su posición central, sin moverla ni girarla, para evitar problemas de calibración.

*\*no se suministra*

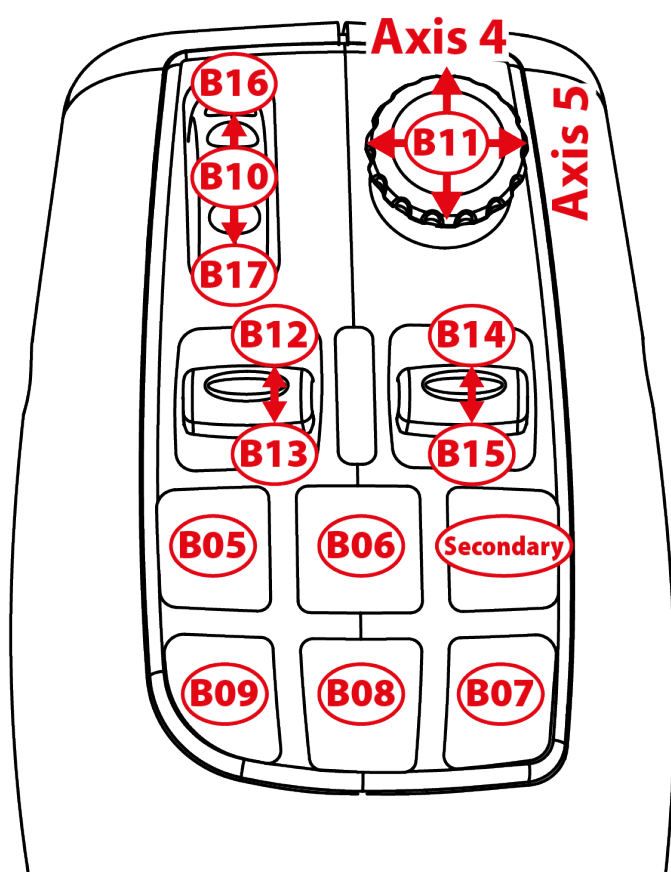


## 6. Mapeado en Xbox

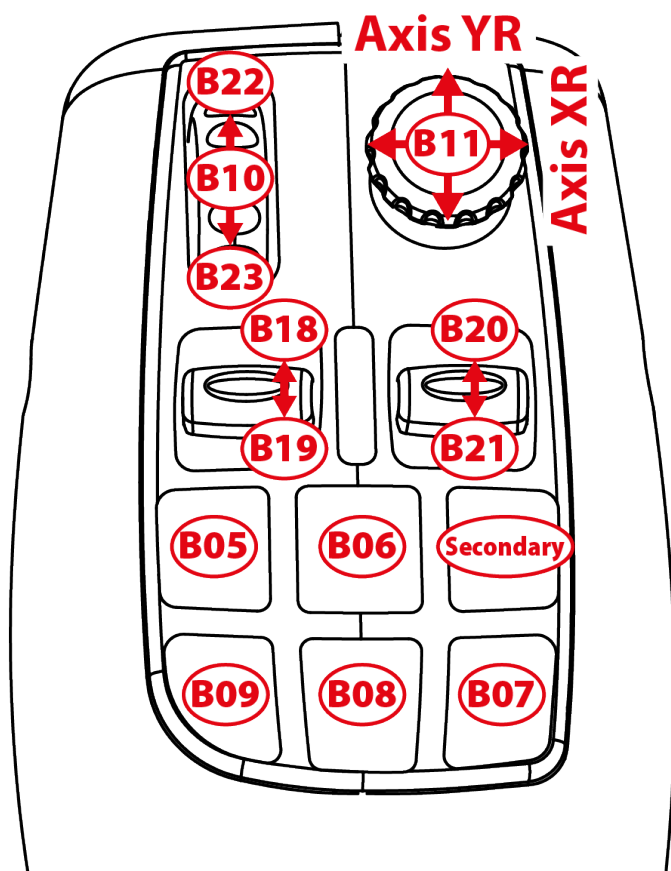


El mapeado es idéntico en los modos para diestros y zurdos.

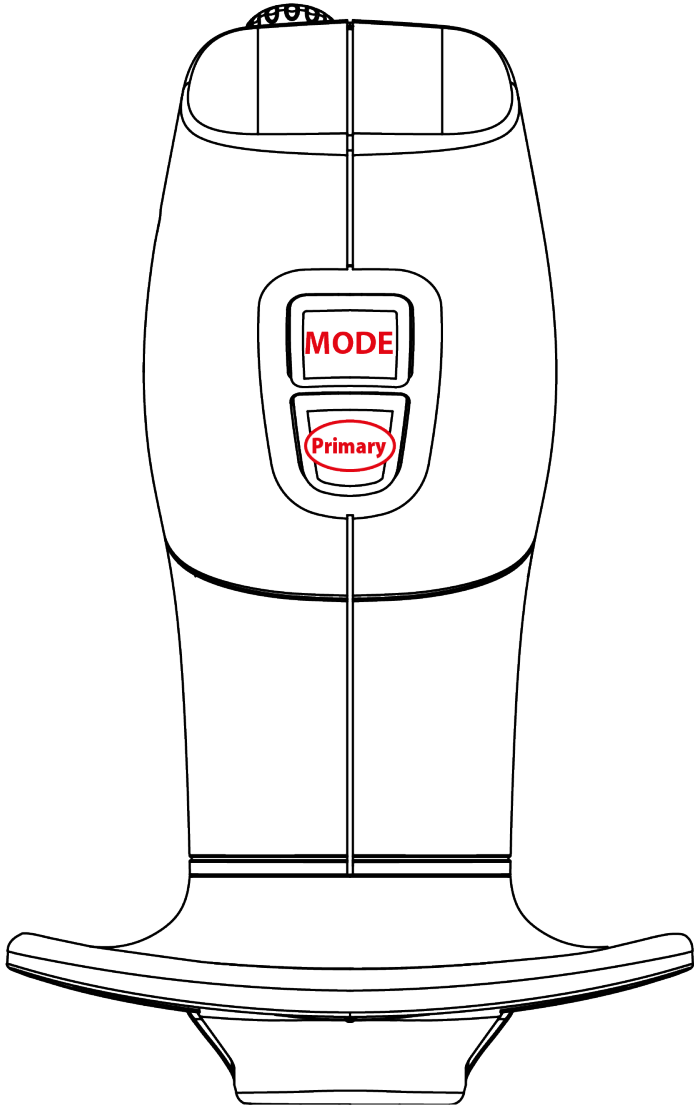
Se puede seleccionar el modo para diestros (predeterminado)/zurdos siguiendo [este](#) procedimiento. Al usar dos joysticks simultáneamente, este modo te ayuda a diferenciarlos.



**Modo Conducción**



**Modo Trabajo**





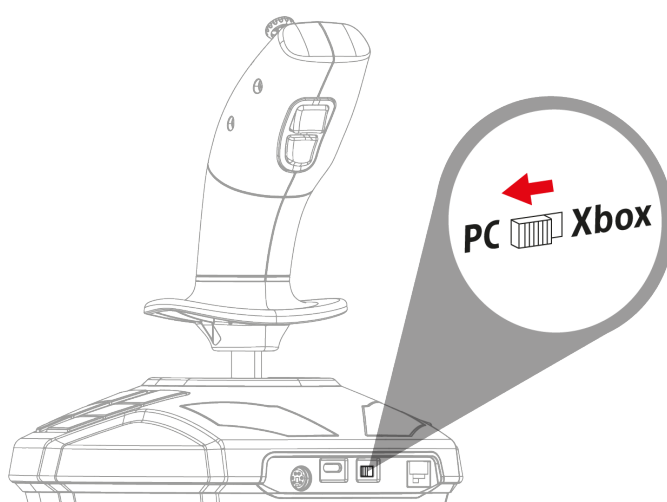
## 7. Instalación en PC

1. Visita:

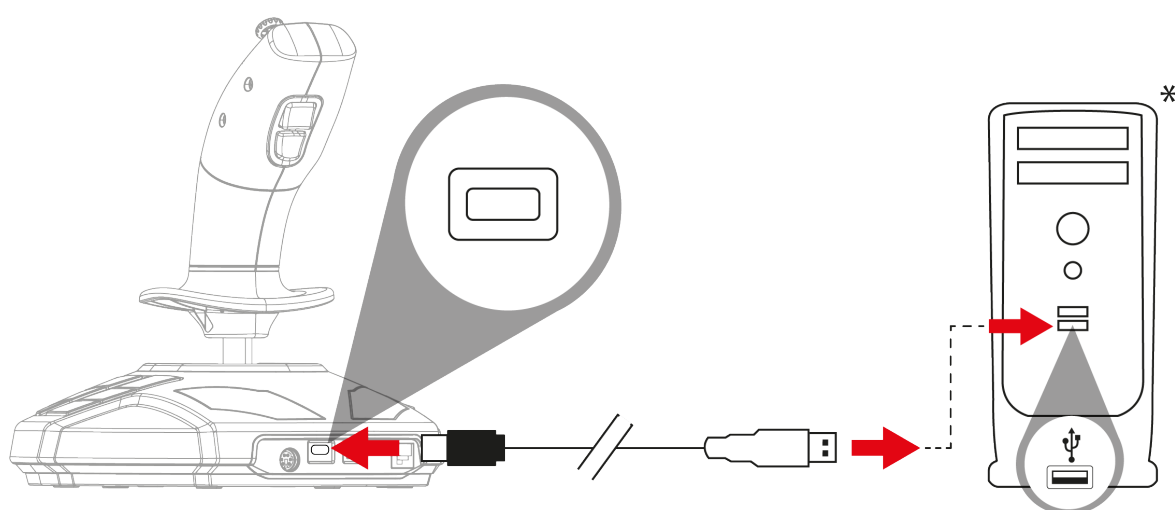
<https://support.thrustmaster.com/product/simtask-farmstick-x/>.

2. Descarga e instala el controlador de PC y su interfaz personalizada para el panel de control de Windows.

3. Una vez instalado el controlador de PC, coloca el interruptor **19** de la parte posterior del joystick en la posición de PC.



4. Conecta el cable USB-C – USB-A al puerto USB-C del joystick **18** y a uno de los puertos USB-A\* del PC.



*\*no se suministra*



5. Selecciona **Inicio / Configuración / Panel de control** y haz doble clic en **Dispositivos de juego**. El cuadro de diálogo **Dispositivos de juego** mostrará el nombre del joystick con el estado **OK**.
6. En la ventana **Panel de control**, haz clic en **Propiedades** para probar y ver todas las funciones. También puedes seleccionar el modo para diestros (predeterminado) o el modo para zurdos.

¡Ya estás preparado para jugar!

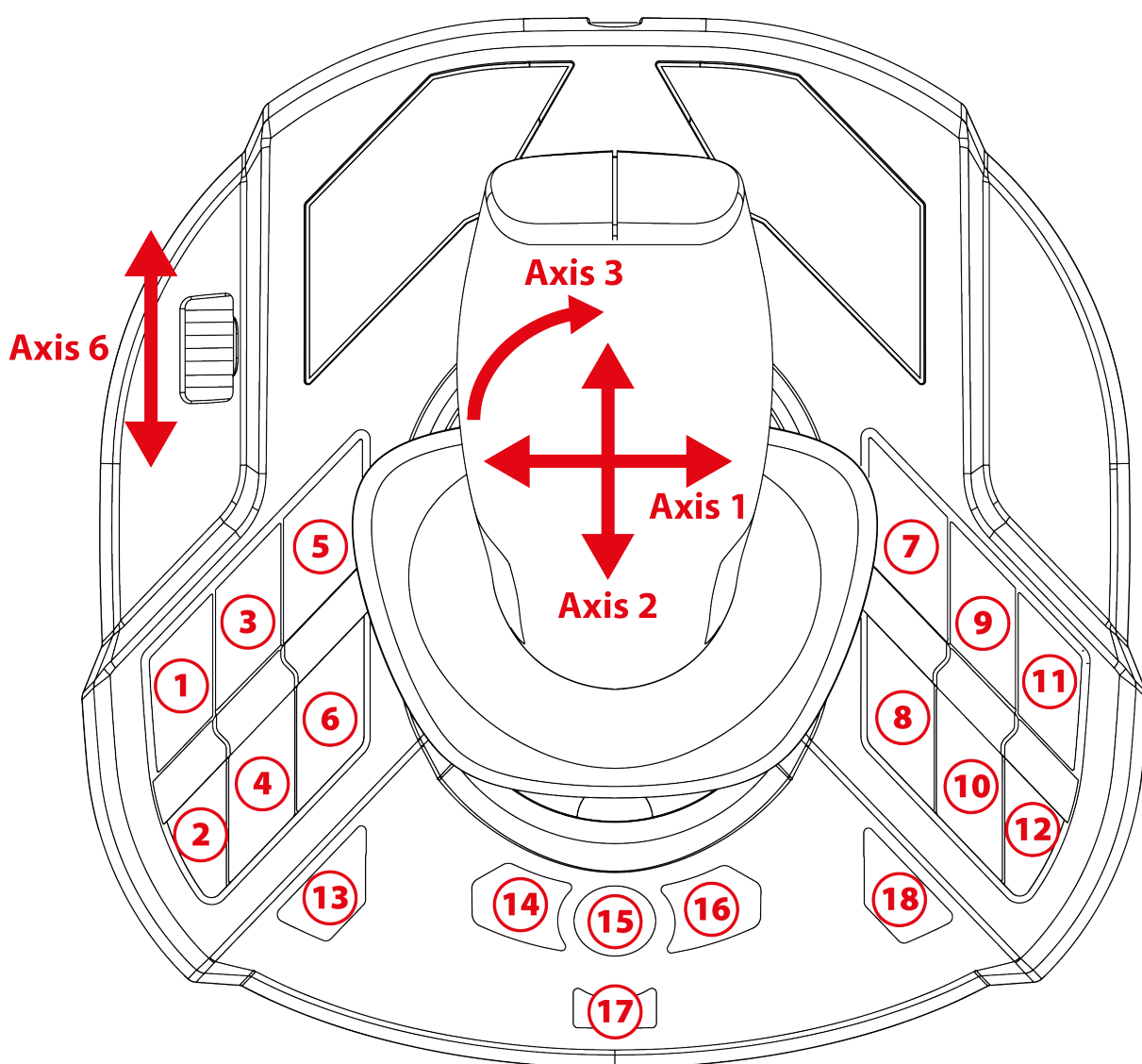


Al conectar el joystick, mantén siempre la empuñadura en su posición central, sin moverla ni girarla, para evitar problemas de calibración.



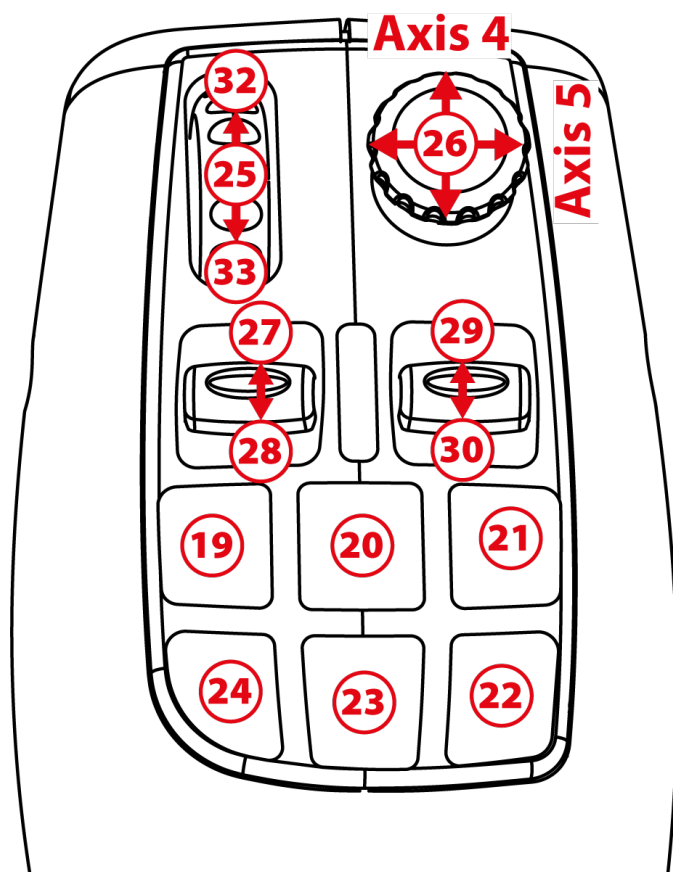


## 8. Mapeado en PC

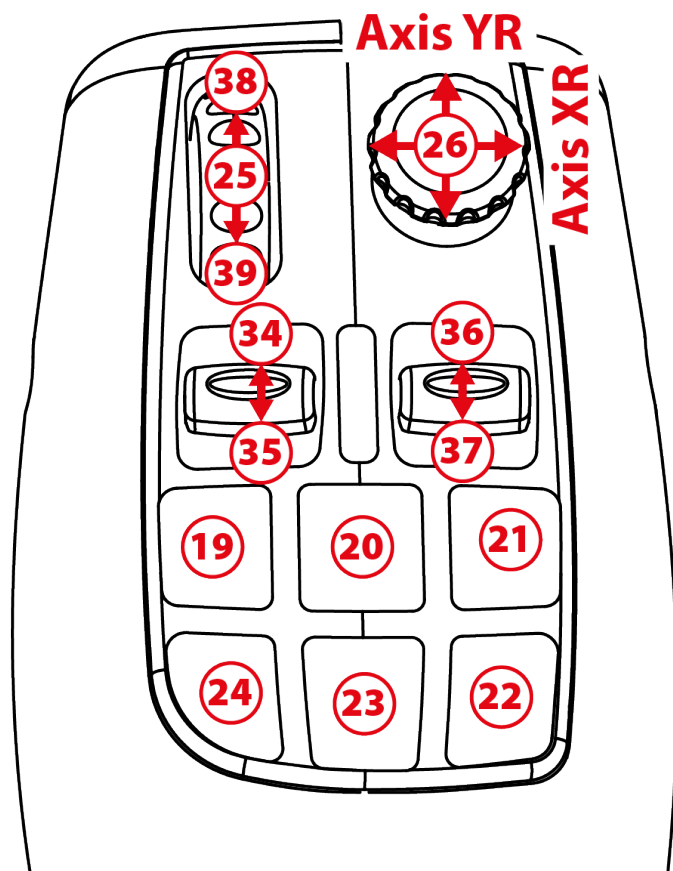


El mapeado es idéntico en los modos para diestros y zurdos.

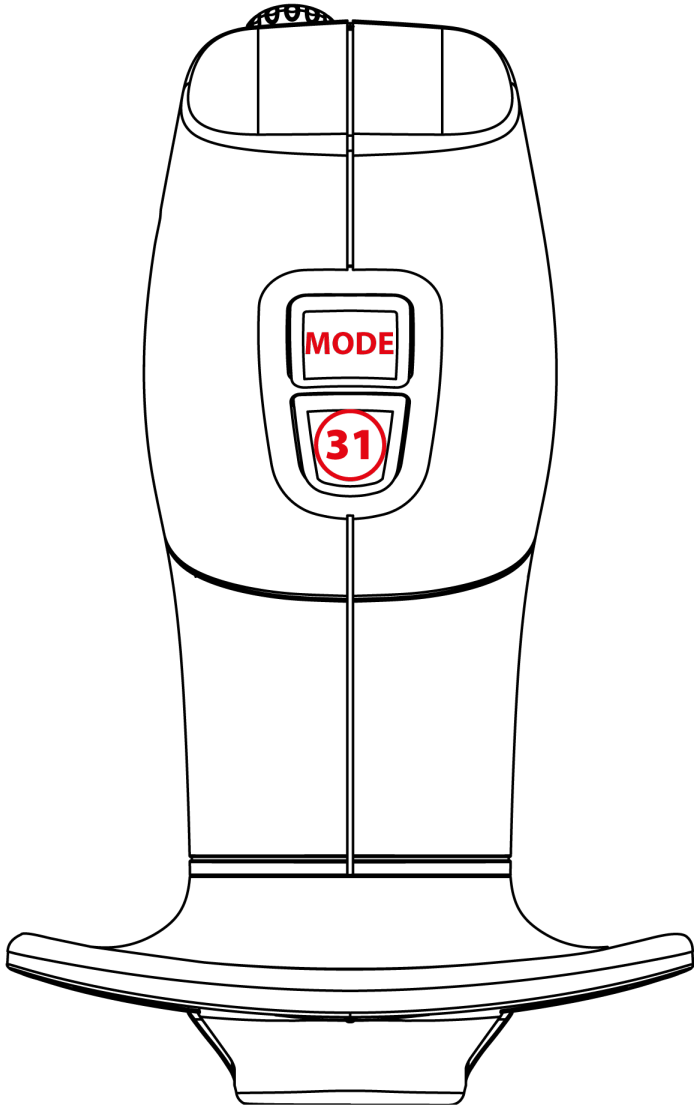
Se puede seleccionar el modo para diestros (predeterminado) o zurdos siguiendo **este** procedimiento o en el **Panel de control**. Al usar dos joysticks simultáneamente, este modo te ayuda a diferenciarlos.



**Modo Conducción**



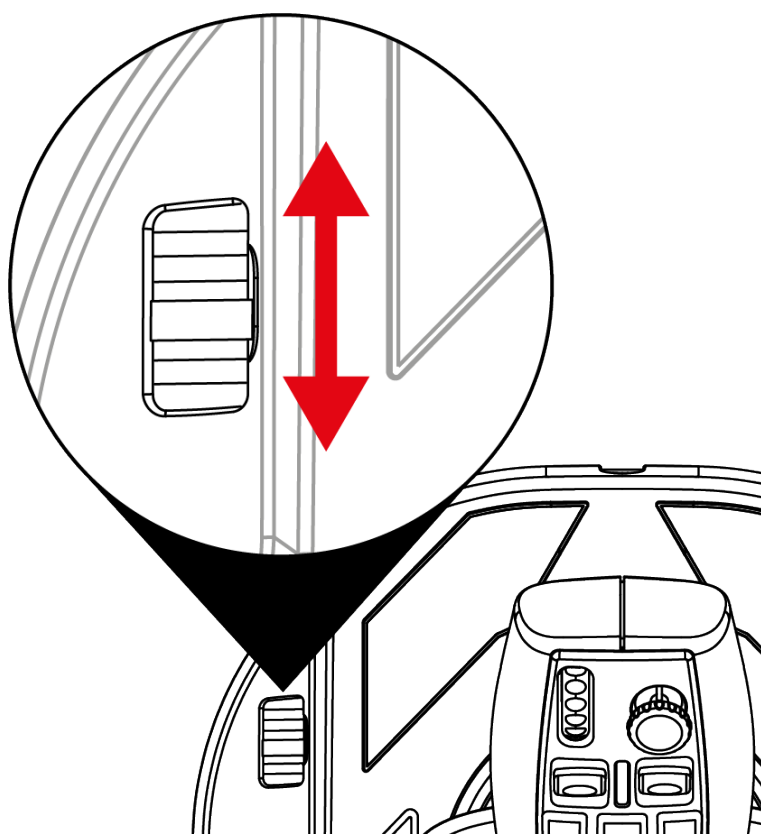
**Modo Trabajo**





## 9. Mando de potencia

El joystick cuenta con un mando de potencia **8** que te permite controlar fácilmente la velocidad del motor.

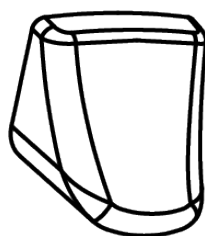




## 10. Gatillo intercambiable

El joystick cuenta con un gatillo de acción intercambiable **16** que proporciona una ergonomía de juego diferente.

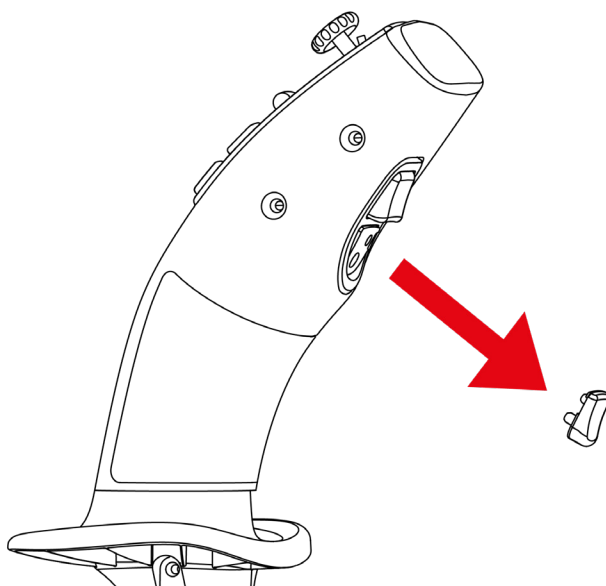
El gatillo instalado por defecto se puede reemplazar por uno adecuado para simulación de vuelo (incluido con el SimTask FarmStick).



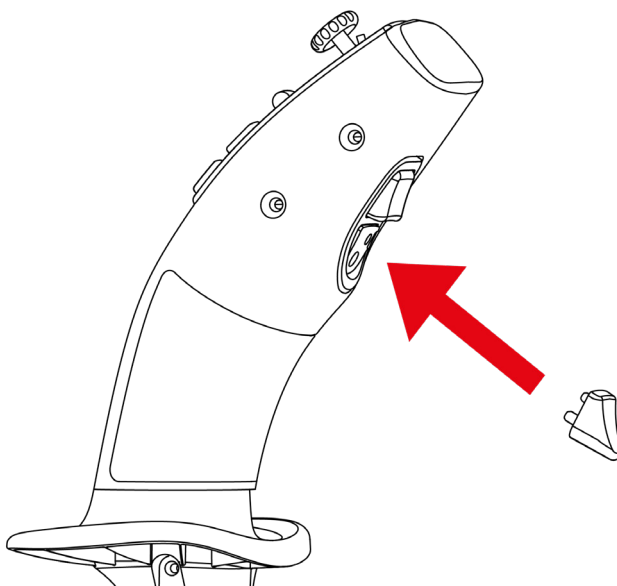


Para cambiar el gatillo:

1. Coloca los dedos a cada lado del gatillo y tira de él con cuidado.



2. Inserta el nuevo gatillo en la posición de montaje adecuada.



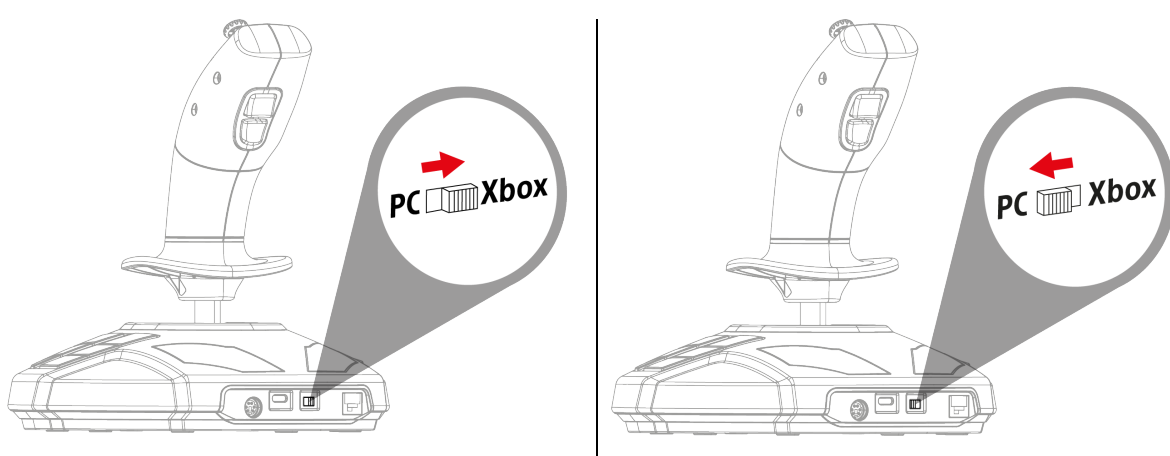
Los pasadores de centrado deben encajar en su posición en la empuñadura. No fuerces el gatillo hacia adentro, ya que esto podría dañar los pasadores.



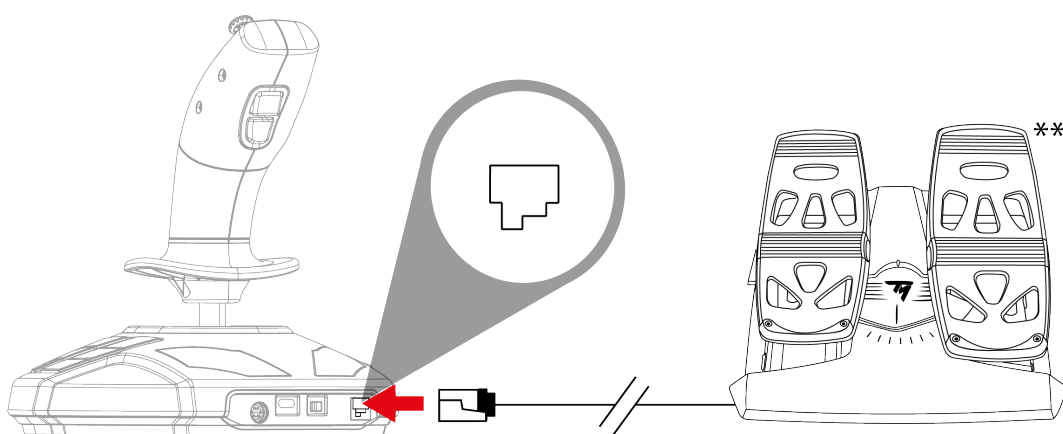
# 11. Instalación en Xbox SeriesX|S\* o PC\* con el timón TFRP\*\*

El timón TFRP\*\* se conecta al SimTask FarmStick.

1. Coloca el interruptor 19 de la parte posterior del joystick en la posición Xbox o PC.



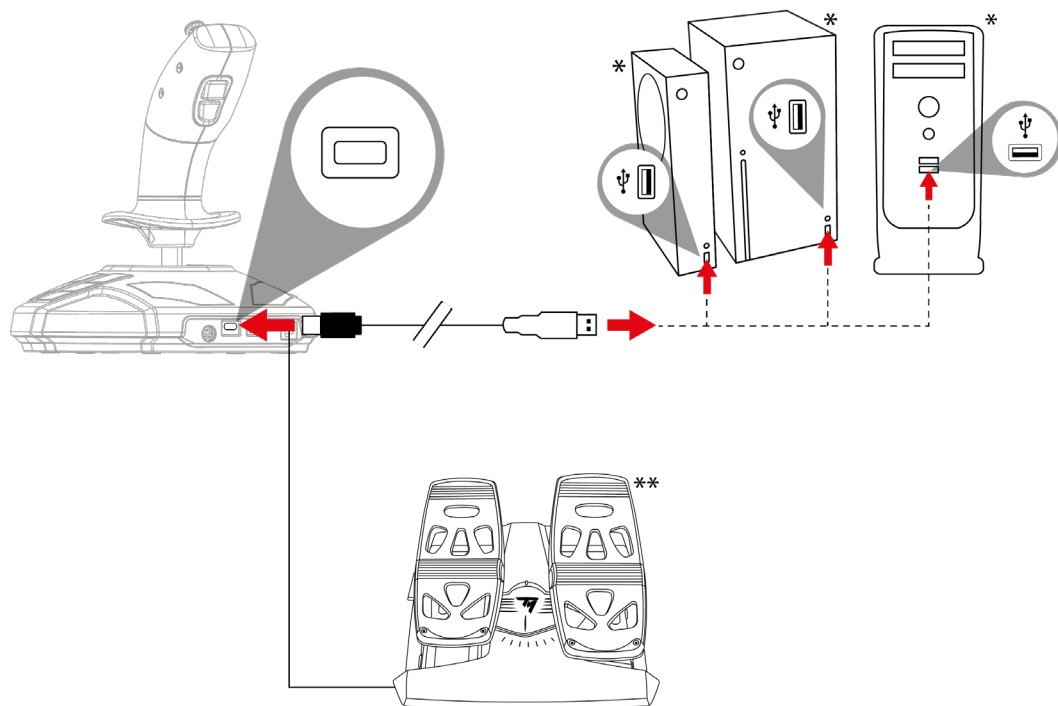
2. Conecta el cable RJ12 del timón TFRP\*\* al puerto RJ12 20 de la parte posterior del joystick.



\* no se suministra / \*\*se vende por separado



3. Conecta el cable USB-C – USB-A al puerto USB-C del joystick 18 y al puerto USB-A de la consola\* o del PC\*.



- Al conectar el joystick, mantén siempre la empuñadura en su posición central, sin moverla ni girarla, para evitar problemas de calibración.
- Al conectar el timón al joystick: mantén siempre el eje del timón en su posición central y no coloques los pies sobre los pedales del timón para evitar problemas de calibración.

\* no se suministra / \*\*se vende por separado





## 12.Preguntas frecuentes y soporte técnico

### ***Mi joystick no funciona correctamente o parece no estar bien calibrado***

- Apaga la consola o el ordenador y desconecta el joystick; luego, vuelve a encender la consola o el ordenador, vuelve a conectar el joystick y reinicia el juego.
- Al conectar el joystick, mantén siempre la empuñadura en su posición central, sin moverla ni girarla, para evitar problemas de calibración.
- Al conectar el timón al joystick: mantén siempre el eje del timón en su posición central y no coloques los pies sobre los pedales del timón para evitar problemas de calibración.



## *No puedo configurar el joystick*

- En el menú **Opciones / Mando / Gamepad** o **Joystick**: selecciona la configuración apropiada o vuelve a configurar por completo las opciones del mando.
- Consulta el manual de usuario del juego o la ayuda en línea para obtener más información.



## ***Mi joystick es demasiado sensible o no lo bastante sensible***

- El joystick se autocalibra de forma independiente una vez que has realizado algunos movimientos en los distintos ejes.
- En el menú **Opciones / Mando / Gamepad** o **Joystick** del juego, ajusta la sensibilidad y las zonas muertas del joystick (si esas opciones están disponibles).

¿Tienes preguntas sobre el SimTask FarmStick o estás experimentando problemas técnicos? Si es así, visita el sitio de soporte técnico de Thrustmaster:

<https://support.thrustmaster.com/product/simtask-farmstick-x/>.



# **THRUSTMASTER®**



# **SIMTASK FARMSTICK**

**XBOX SERIES X|S – PC**

## **Manual do Utilizador**



**Leia atentamente** as instruções fornecidas neste manual **antes** de instalar o produto, **antes** de qualquer utilização do produto e **antes** de realizar qualquer manutenção. Siga as instruções de segurança. O incumprimento destas instruções pode resultar em acidentes e/ou danos. Guarde este manual para poder consultar as instruções no futuro.

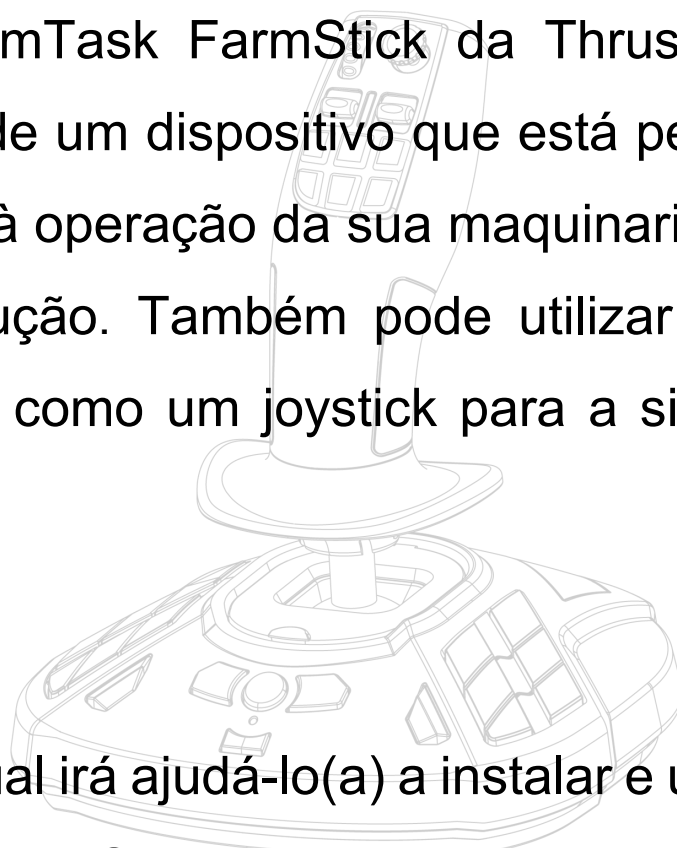
# ÍNDICE

<b>1. CONTEÚDO DA EMBALAGEM .....</b>	<b>5</b>
<b>2. CARACTERÍSTICAS .....</b>	<b>6</b>
<b>3. INFORMAÇÕES RELATIVAS À UTILIZAÇÃO .....</b>	<b>9</b>
<b>4. APRESENTAÇÃO DO SEU JOYSTICK ....</b>	<b>12</b>
<i>Pontos-chaves .....</i>	<i>12</i>
<i>Tecnologia de precisão H.E.A.R.T. (HallEffect AccuRate Technology) .....</i>	<i>13</i>
<i>Modo Condução &lt;&gt; Modo Trabalho .....</i>	<i>14</i>
<i>Manípulo giratório .....</i>	<i>17</i>
<i>Minialavanca de “ponto de vista” .....</i>	<i>18</i>
<i>Conectividade do SimTask FarmStick na Xbox Series X S* e PC* .....</i>	<i>19</i>
<i>Configuração destra e esquerdina do joystick .....</i>	<i>21</i>

<b>5.</b>	<b>INSTALAÇÃO NA XBOX SERIES X S .....</b>	<b>24</b>
<b>6.</b>	<b>MAPEAMENTO PARA A XBOX .....</b>	<b>26</b>
<b>7.</b>	<b>INSTALAÇÃO NO PC .....</b>	<b>29</b>
<b>8.</b>	<b>MAPEAMENTO PARA O PC .....</b>	<b>31</b>
<b>9.</b>	<b>ALAVANCA DE POTÊNCIA.....</b>	<b>34</b>
<b>10.</b>	<b>GATILHO INTERCAMBIÁVEL .....</b>	<b>35</b>
<b>11.</b>	<b>INSTALAÇÃO NA XBOX SERIES X S* OU NO PC* COM O LEME DE DIREÇÃO TFRP** ..</b>	<b>37</b>
<b>12.</b>	<b>PERGUNTAS FREQUENTES E SUPORTE TÉCNICO .....</b>	<b>39</b>



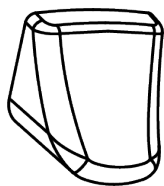
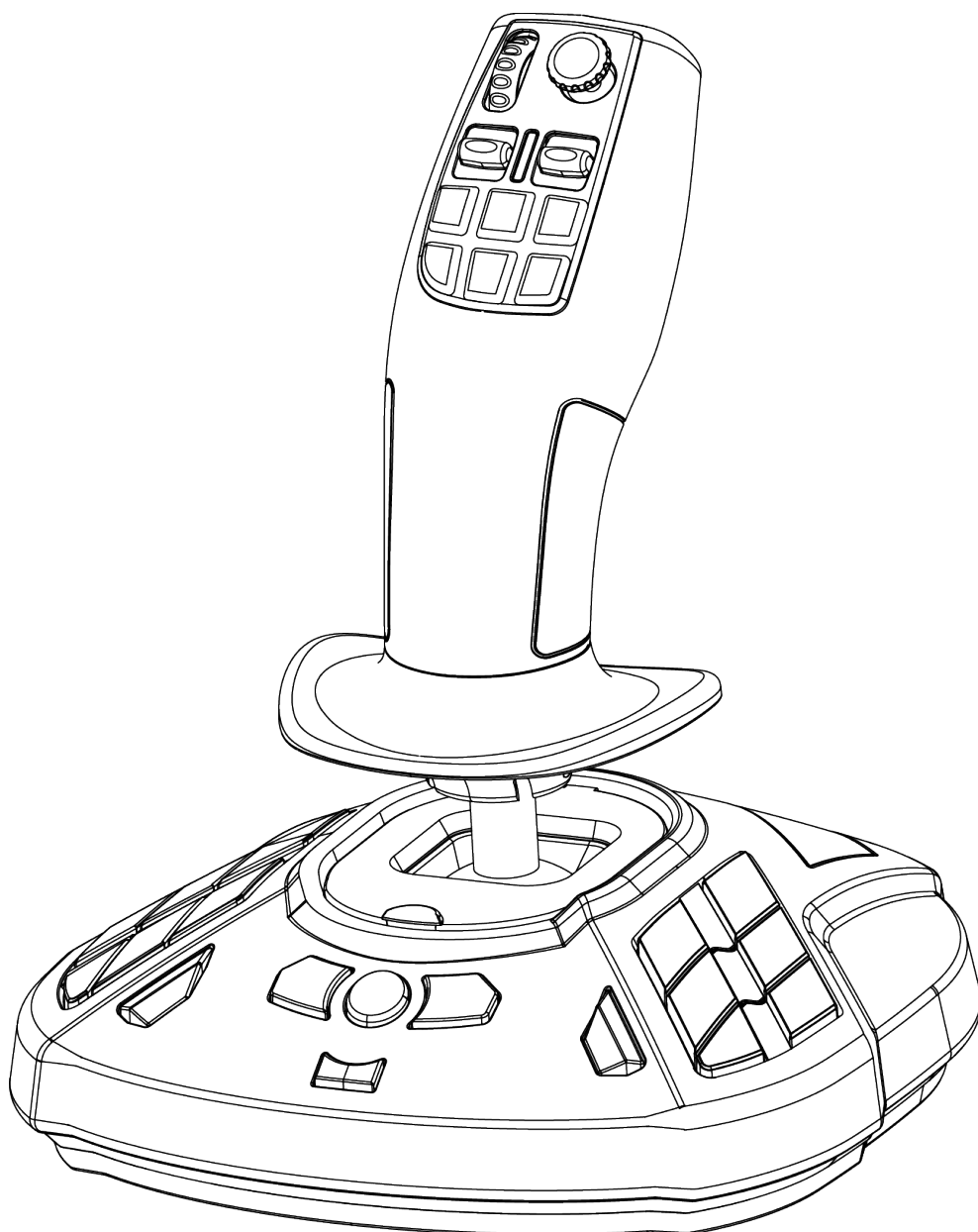
Com o SimTask FarmStick da Thrustmaster, irá desfrutar de um dispositivo que está perfeitamente adaptado à operação da sua maquinaria agrícola e de construção. Também pode utilizar o SimTask FarmStick como um joystick para a simulação de voo.



Este manual irá ajudá-lo(a) a instalar e utilizar o seu SimTask FarmStick nas melhores condições. Antes de começar, leia atentamente todas estas instruções e avisos: eles irão ajudá-lo(a) a desfrutar ao máximo do seu produto.



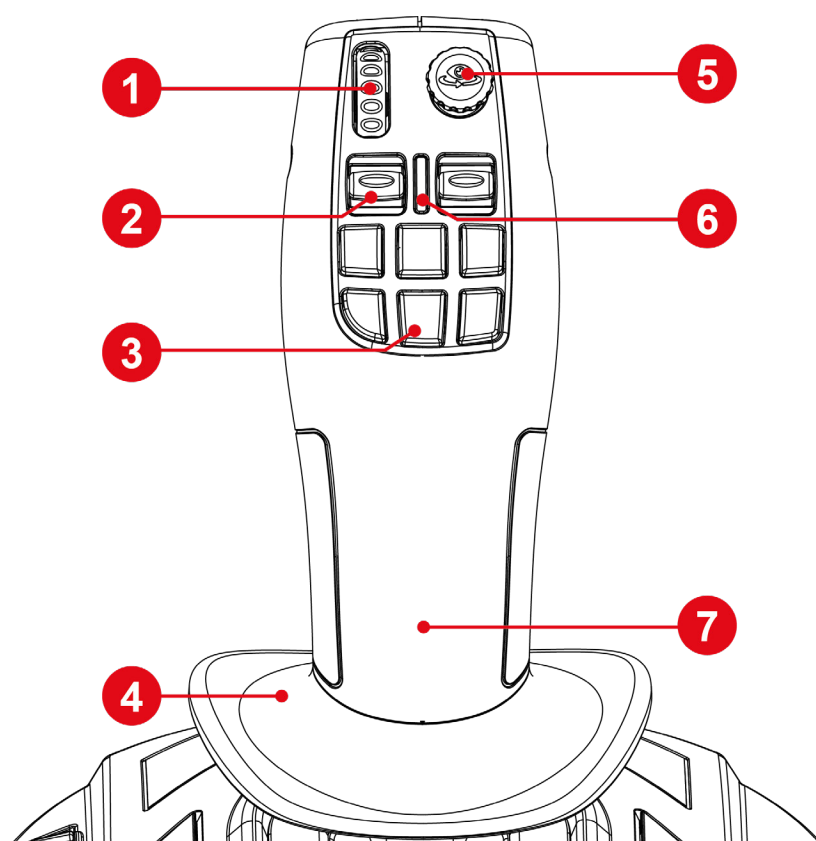
# 1. Conteúdo da embalagem



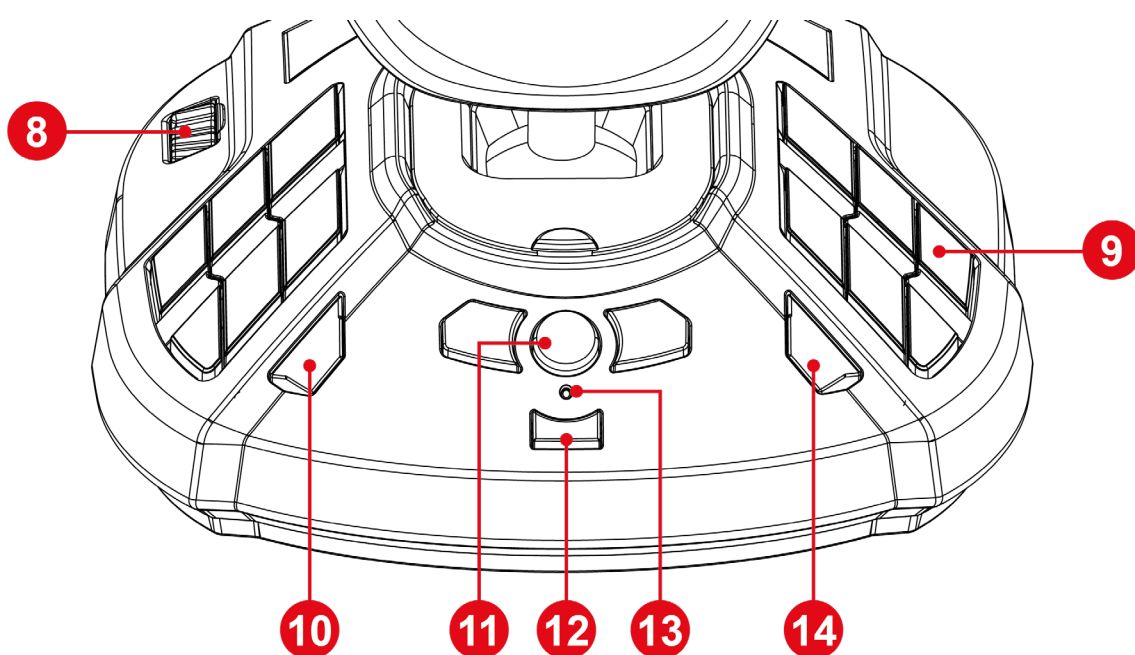




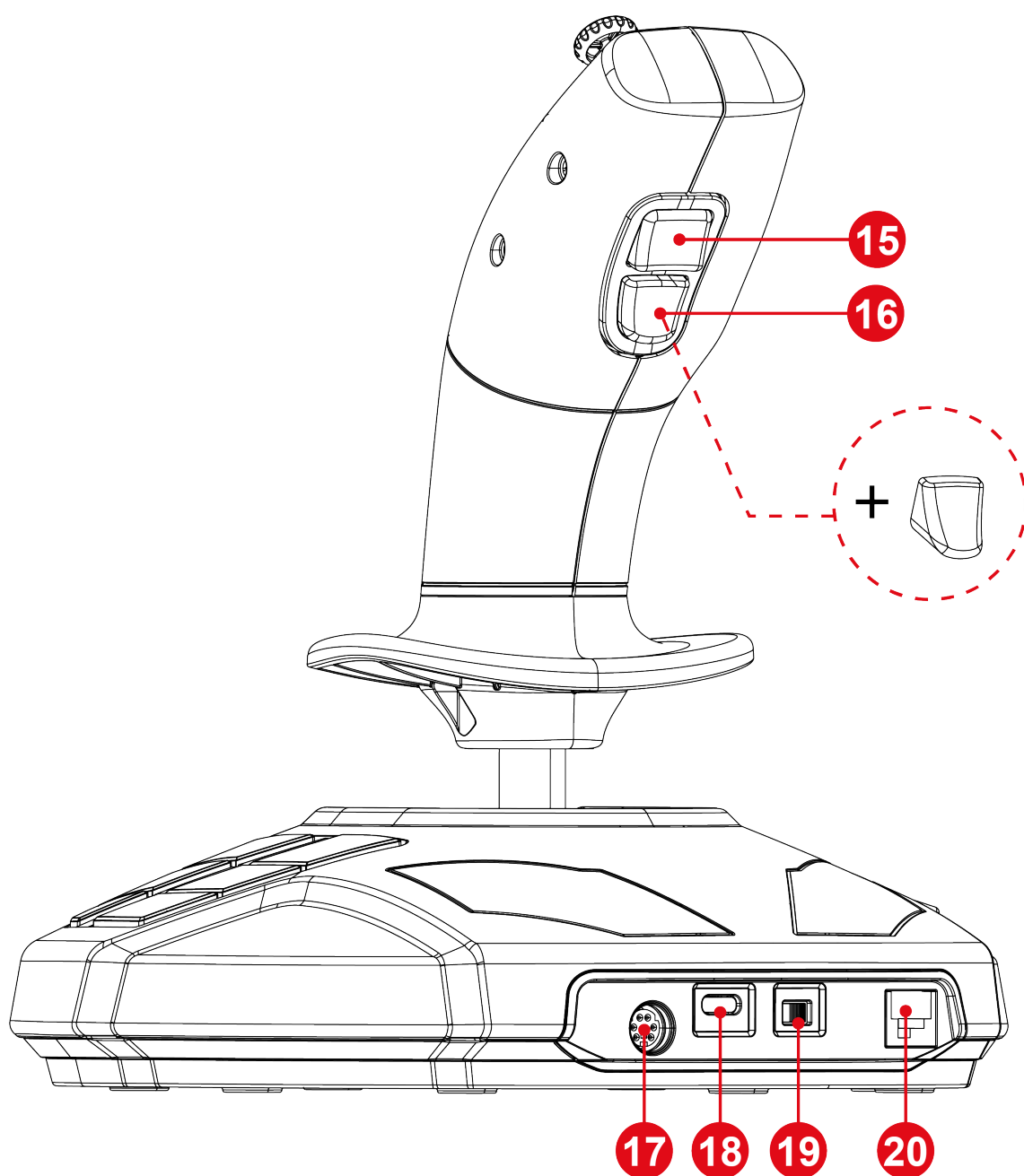
## 2. Características



1. Seletor rotativo
2. Interruptor oscilante
3. Botões de ações rápidas
4. Descanso para a mão
5. Minialavanca de “ponto de vista”
6. Luz LED indicadora do modo do manípulo
7. Manípulo ambidestro



8. Alavanca de potência
9. Botões de ações programáveis
10. Botão View (Vista)
11. Botão Xbox
12. Botão Share (Partilhar)
13. Luz indicadora
14. Botão Menu



15. Botão de alteração do modo do manípulo

16. Gatilho de ação intercambiável

17. Porta DIN para acessórios adicionais\*

18. Porta USB-C

19. Seletor Xbox / PC

20. Porta RJ12 para leme de direção TFRP\*

\* Vendido à parte



### 3. Informações relativas à utilização



#### **Documentação**

Antes de utilizar este produto, leia atentamente esta documentação e conserve-a para consulta futura.



### **Choque elétrico**

- Conserve o produto num local seco e não o exponha ao pó nem à luz solar.
- Respeite as direções de ligação.
- Não torça nem puxe os conectores e cabos.
- Não derrame líquidos sobre o produto nem sobre os respetivos conectores.
- Não provoque um curto-circuito do produto.
- Nunca desmonte o produto, não o atire para o fogo e não o exponha a altas temperaturas.
- Não abra o dispositivo: não contém peças reparáveis pelo utilizador. Quaisquer reparações devem realizadas pelo fabricante, por uma agência especificada ou por um técnico qualificado.



### **Proteção da área de jogo**

- Não coloque na área de jogo qualquer objeto que possa perturbar a prática por parte do utilizador, ou que possa provocar um movimento ou uma interrupção inadequados por outra pessoa (por exemplo, chávena de café, telefone, chaves).
- Não cubra os cabos de alimentação com uma alcatifa, tapete, cobertor, cobertura ou qualquer outro item e não coloque quaisquer cabos onde as pessoas irão andar.



## 4. Apresentação do seu joystick

### *Pontos-chaves*

- 33 botões e 6 botões virtuais, incluindo um seletor rotativo e dois interruptores oscilantes
- 6 eixos, incluindo uma minialavanca, a rotação do manípulo do joystick e uma alavanca de potência
- Luz LED indicadora do modo do manípulo
- Tecnologia H.E.A.R.T. (HallEffect AccuRate Technology)
- Ligação à porta USB-A
- Alavanca de potência
- Porta RJ12 para leme de direção TFRP\*

\* Vendido à parte



## ***Tecnologia de precisão H.E.A.R.T. (HallEffect AccuRate Technology)***

O seu SimTask FarmStick possui tecnologia que lhe fornece um nível de precisão atualmente sem rival no mundo dos joysticks para jogos, incluindo:

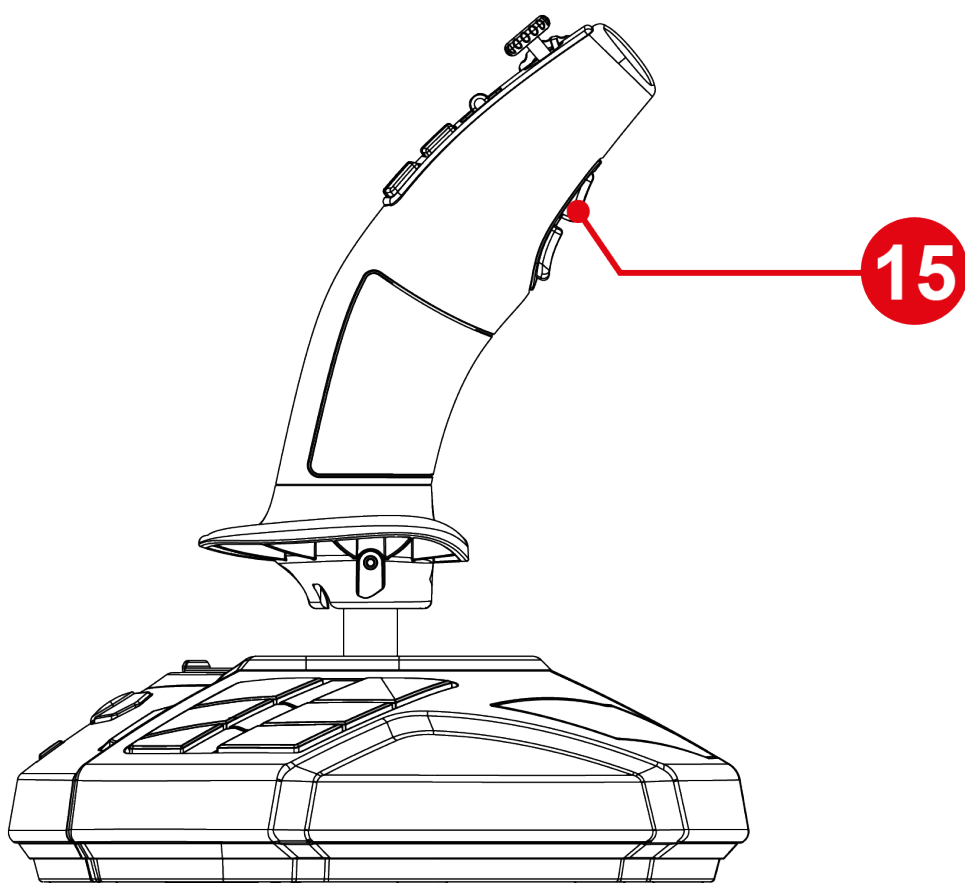
- Sensores magnéticos 3D (efeito Hall) no manípulo, com uma resolução de mais de 268 milhões de valores em todos os eixos X e Y (16.384 x 16.384 valores).
- Um íman: sem fricção, para uma precisão ilimitada e uma rapidez de resposta incrível que irá perdurar.
- Uma mola helicoidal no manípulo (2,8 mm), para uma tensão firme, linear e ultrafluida.





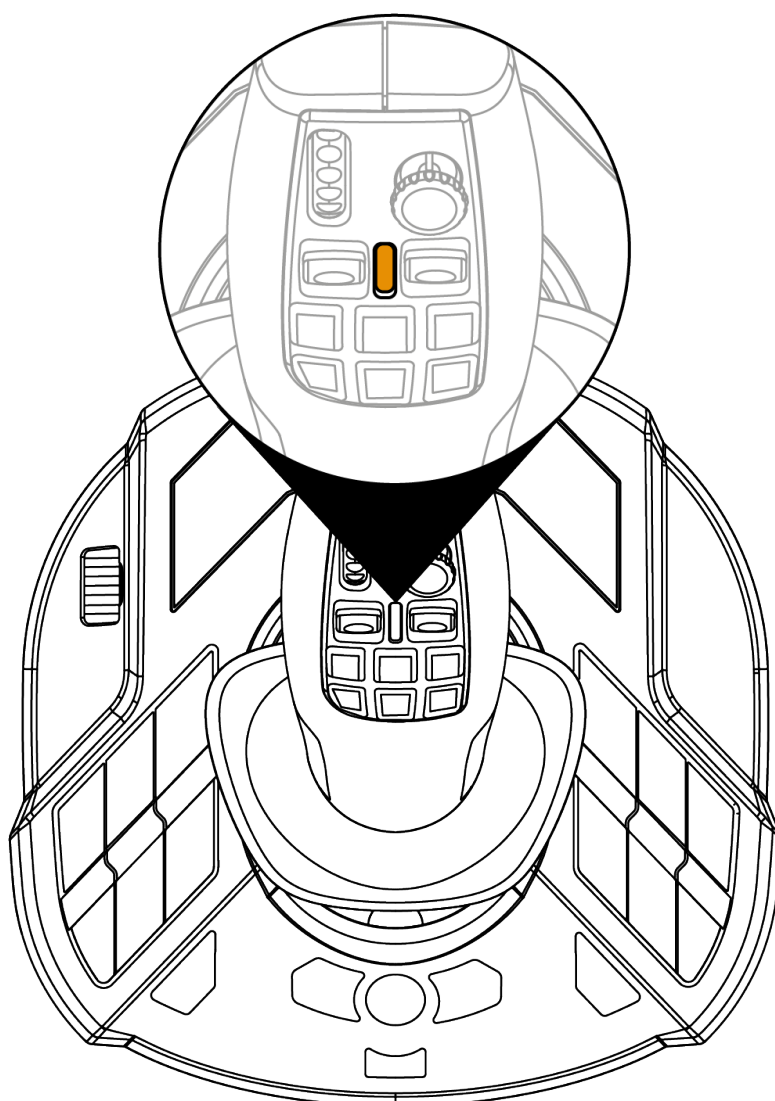
## Modo Condução <=> Modo Trabalho

O botão 15 permite-lhe mudar do modo **Condução** para o modo **Trabalho** e vice-versa.



Esta funcionalidade alarga o leque de ações que podem ser realizadas com o polegar, ou seja, através do seletor rotativo 1 e dos dois interruptores oscilantes 2.

Alterar o modo modifica a ação associada ao seletor rotativo 1 e aos dois interruptores oscilantes 2.



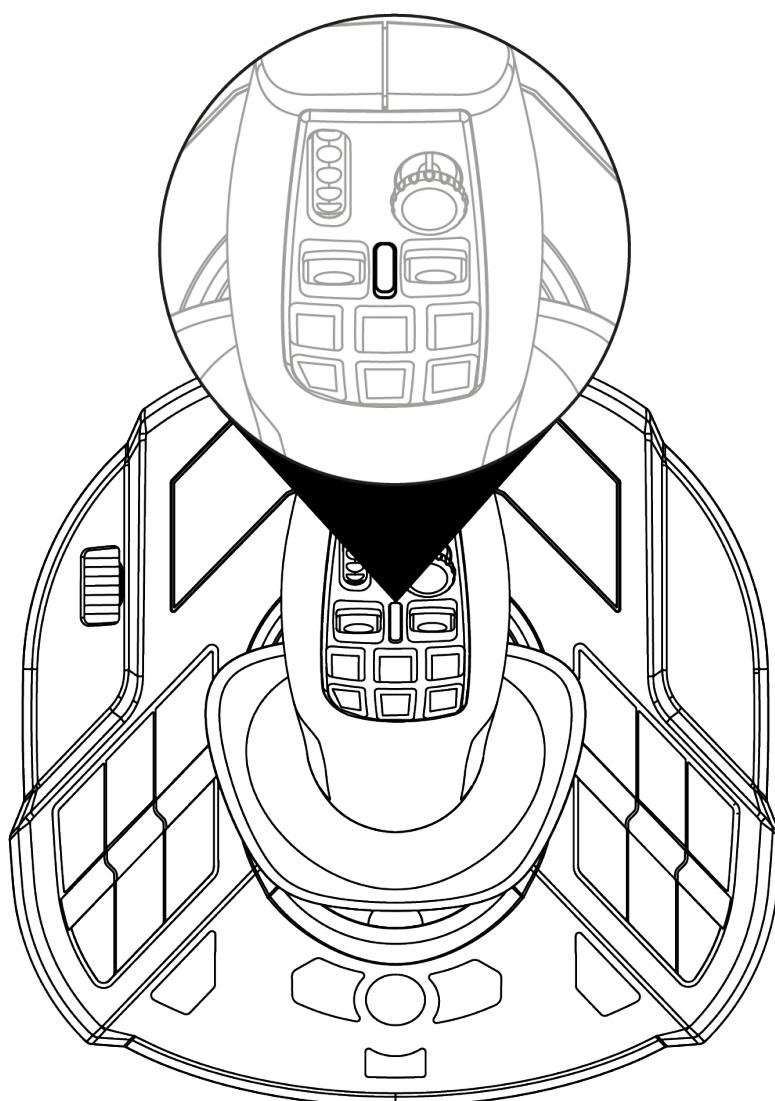
### **Modo Condução (predefinido)**

No modo **Condução**, a luz LED indicadora do modo do manípulo **6** acende-se a laranja.



No modo **Condução**, a ação associada ao seletor rotativo **1** e aos interruptores oscilantes **2** pode ser a seguinte:

- Seletor rotativo: controlo do ponto de regulação.
- Interruptores oscilantes: gestão da caixa de velocidades.



## Modo Trabalho

No modo **Trabalho**, a luz LED indicadora do modo do manípulo **6** acende-se a branco.



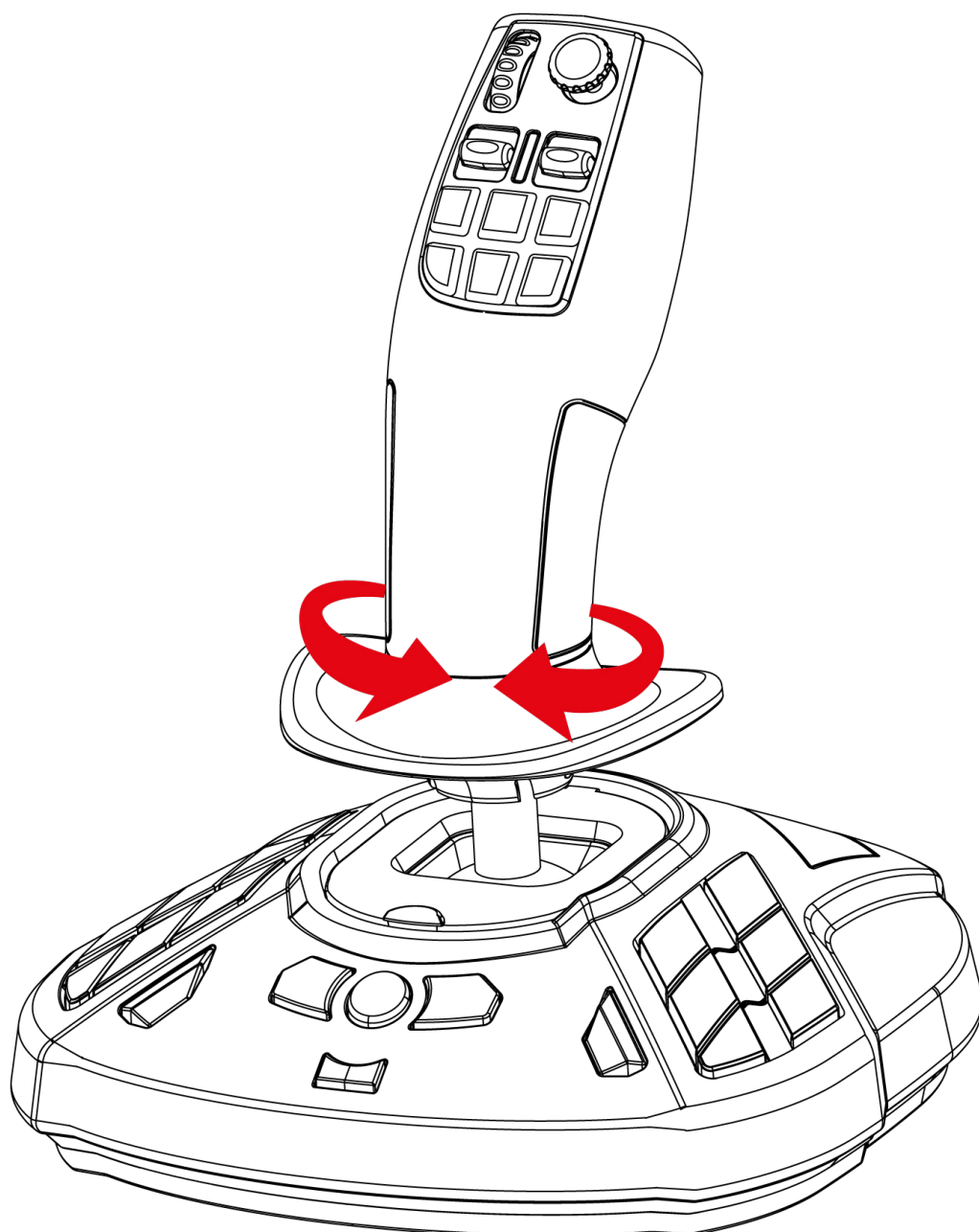
No modo **Trabalho**, a ação associada ao seletor rotativo **1** e aos interruptores oscilantes **2** pode ser a seguinte:

- Seletor rotativo: controlo do zoom da câmara.
- Interruptores oscilantes: controlo dos braços da grua ou das pás carregadoras.



## *Manípulo giratório*

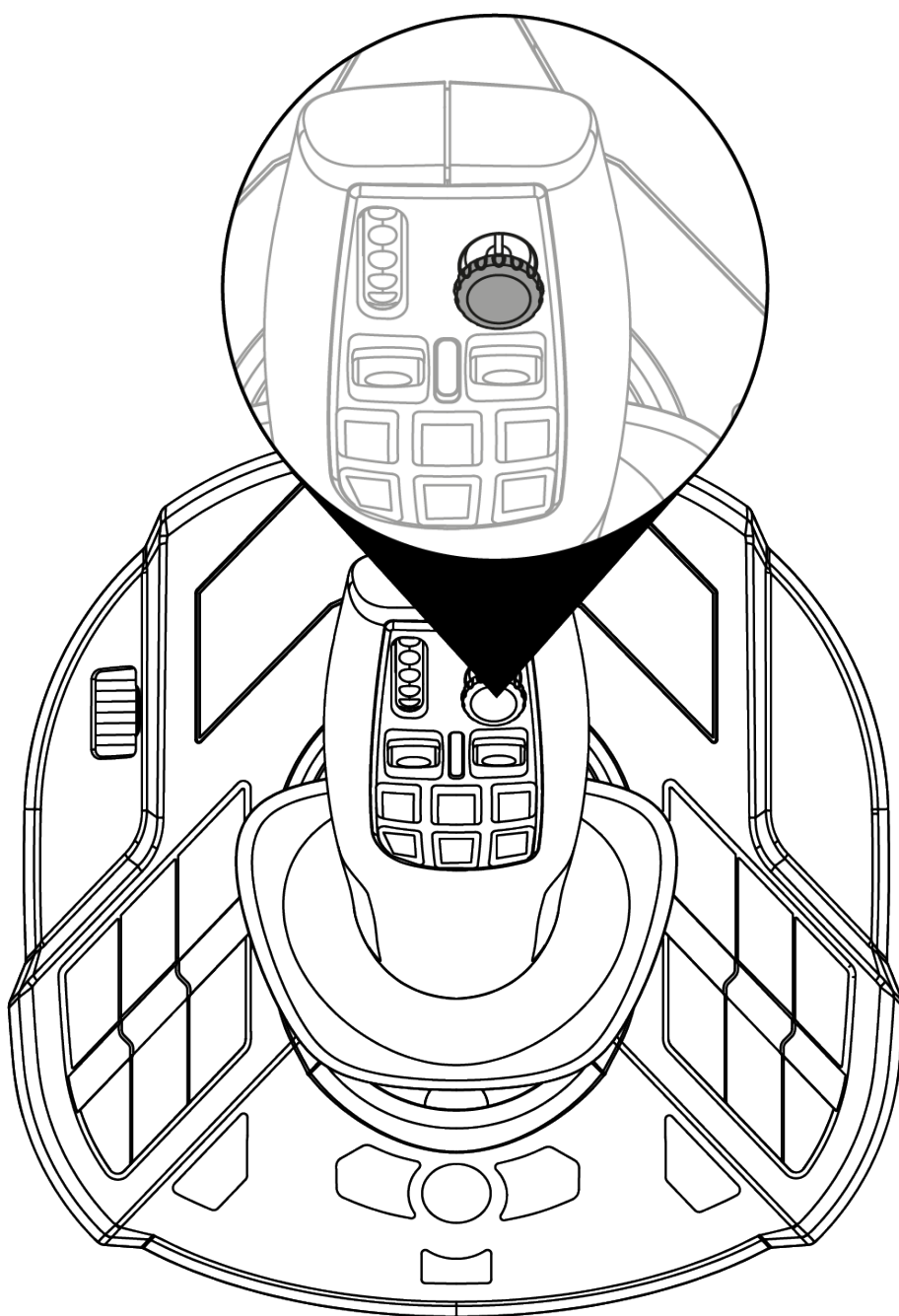
O SimTask FarmStick possui um manípulo que roda no seu eixo horizontal. Isto é útil para manobrar uma cabeça de grua ou uma escavadora, por exemplo.





## *Minialavanca de “ponto de vista”*

O SimTask FarmStick inclui uma minialavanca de “ponto de vista” **5** que lhe permite ver o que está no campo de visão do operador da máquina.





## **Conectividade do SimTask FarmStick na Xbox Series X|S\* e PC\***

O SimTask FarmStick possui seis eixos, mas oferece a opção de ligar um leme de direção TFRP\*\* à parte posterior do joystick. Isto fornece-lhe dois eixos adicionais, bem como o controlo do leme de direção com o TFRP.

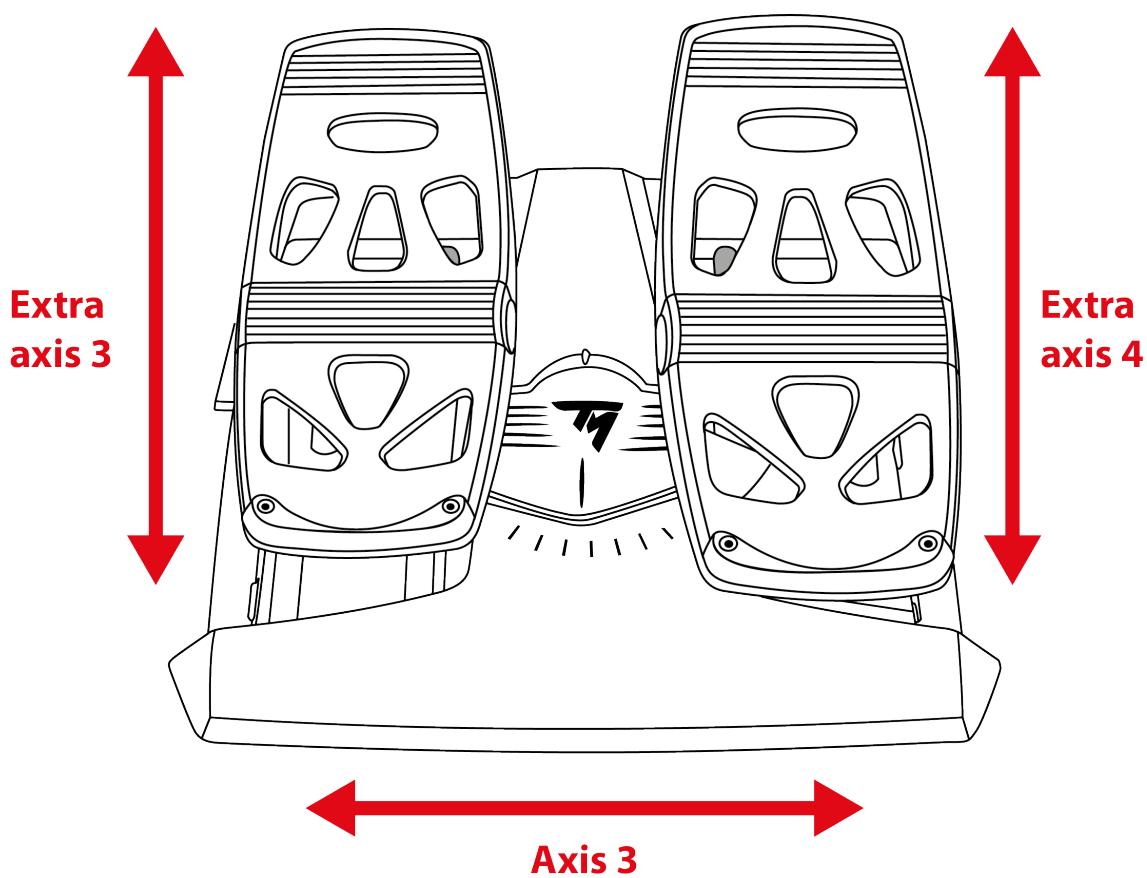


O leme de direção TFRP é o único dispositivo suportado na Xbox Series X|S e no PC.

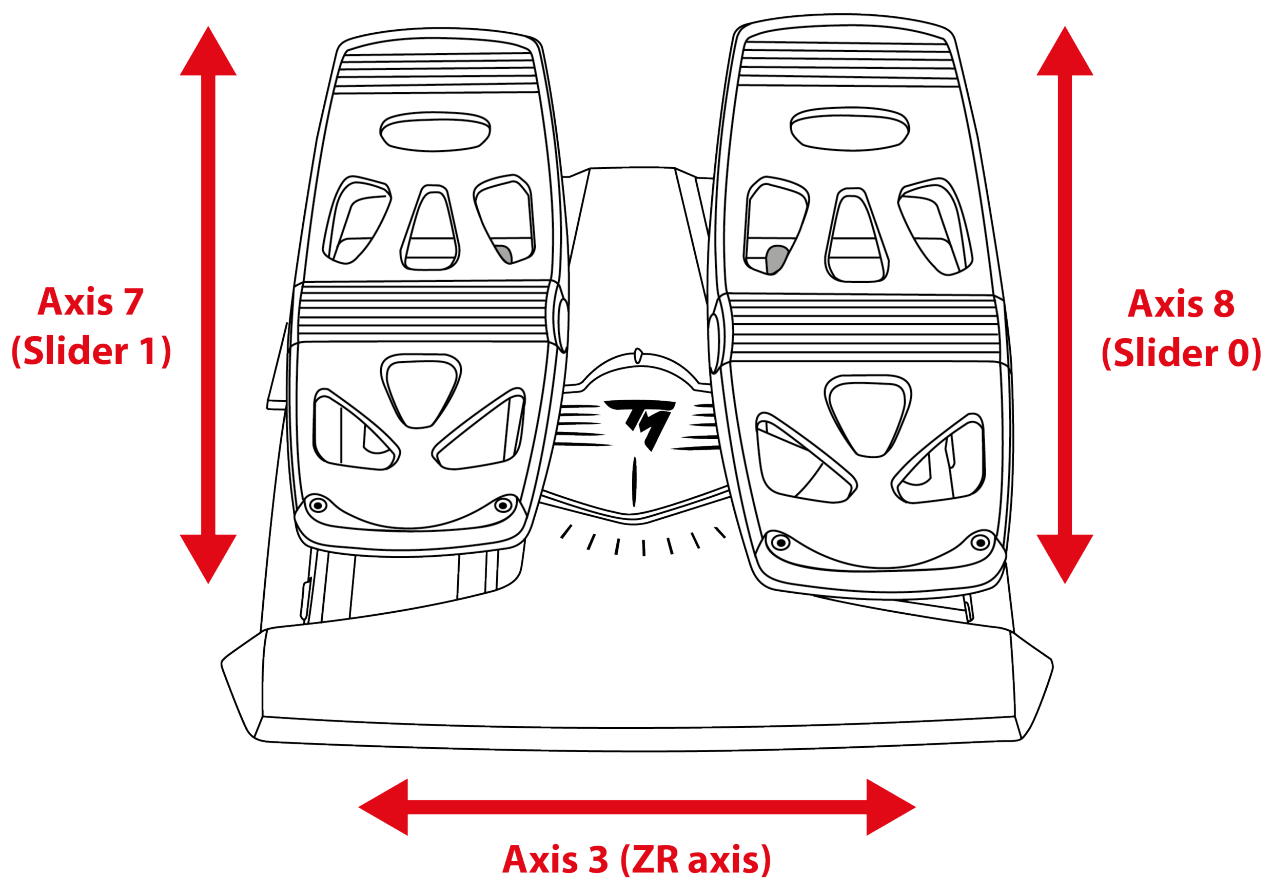
*\* Não incluída / \*\* Vendido à parte*



Mapeamento para a Xbox:



Mapeamento para o PC:





## ***Configuração destra e esquerdina do joystick***

O seu SimTask FarmStick é ambidestro para se adaptar uniformemente a todos os jogadores, sejam eles destros ou esquerdinos.

Por predefinição, o joystick está configurado para o modo destro.

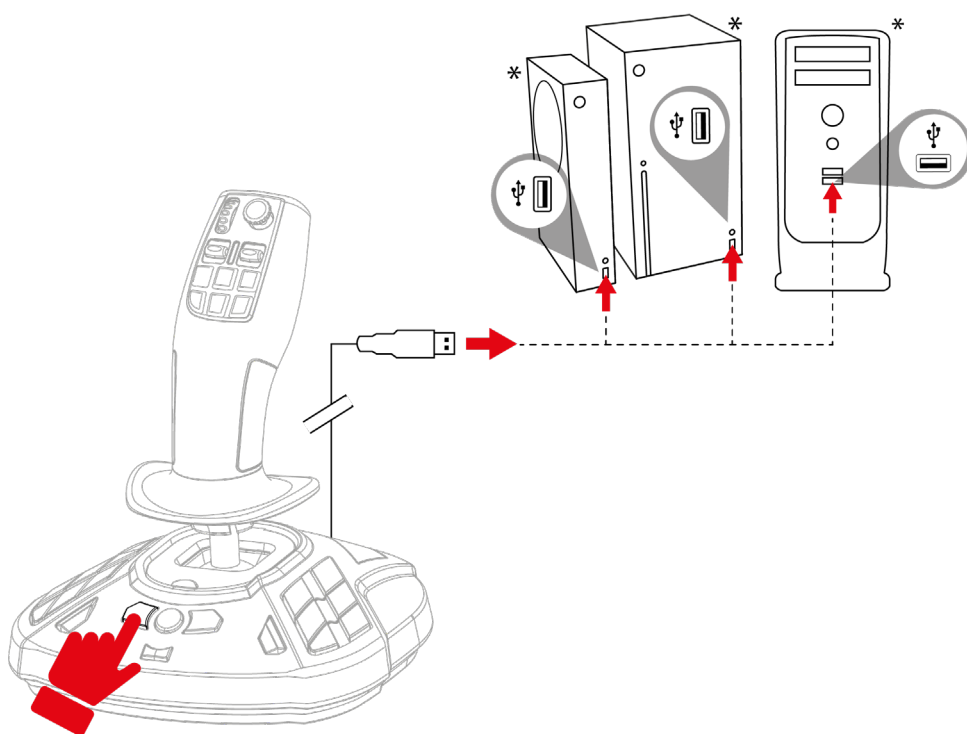




Para definir o joystick para o modo ESQUERDINO:

1. Prima continuamente o botão 14 (no PC) ou Prev (na Xbox Series X|S) ao ligar o SimTask FarmStick à sua Xbox Series X|S ou ao PC.

A luz LED indicadora do manípulo ⑥ irá piscar a branco durante 5 segundos.



2. Solte o botão 14 (no PC) ou Prev (na Xbox Series X|S).



O modo ESQUERDINO é guardado automaticamente na memória interna do SimTask FarmStick.

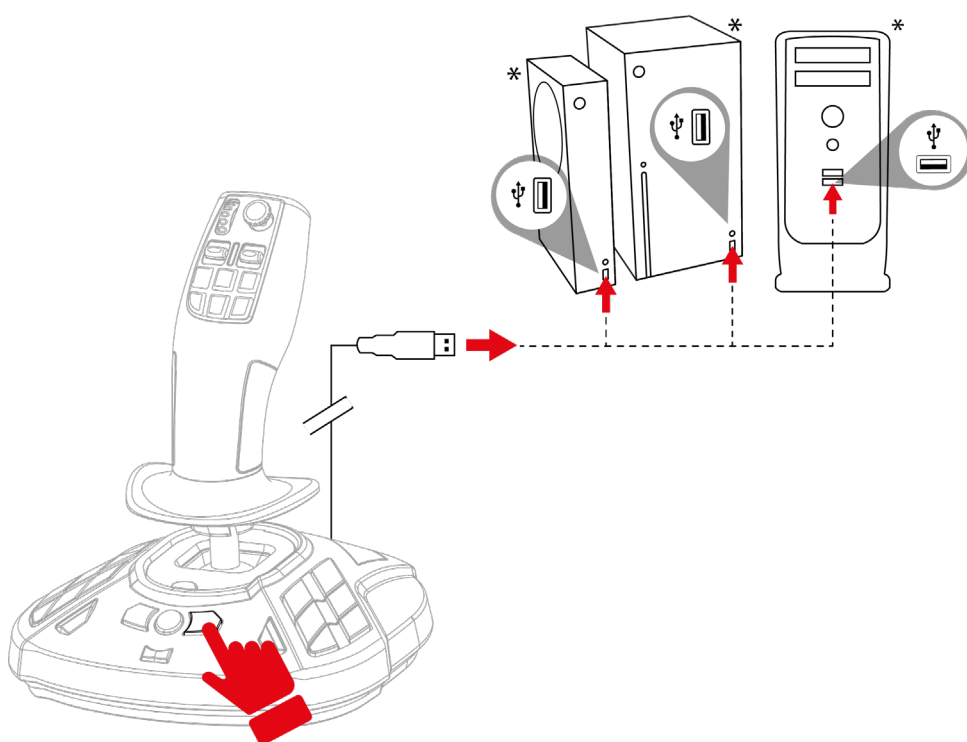
\* Não incluída



Para repor o joystick para o modo DESTRO:

1. Prima continuamente o botão 16 (no PC) ou Next (na Xbox Series X|S) ao ligar o SimTask FarmStick à sua Xbox Series X|S ou ao PC.

A luz LED indicadora do manípulo ⑥ irá piscar a laranja durante 5 segundos.



2. Solte o botão 16 (no PC) ou Next (na Xbox Series X|S).



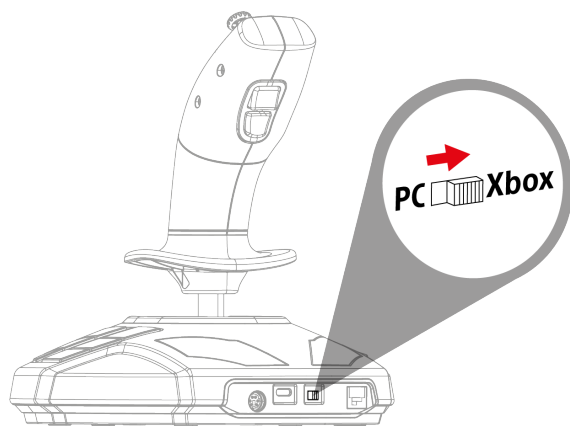
O modo DESTRO é guardado automaticamente na memória interna do SimTask FarmStick.

\* Não incluída

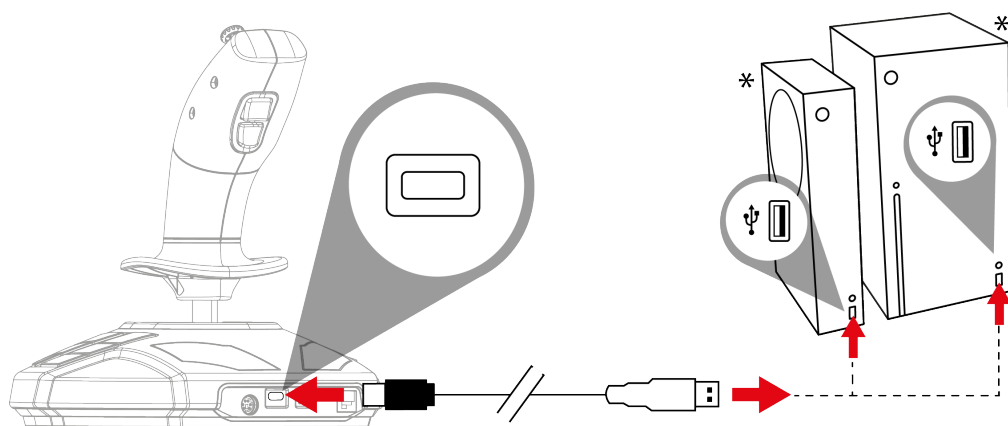


## 5. Instalação na Xbox Series X|S

1. Ajuste o seletor 19 na parte posterior do joystick para a posição Xbox.



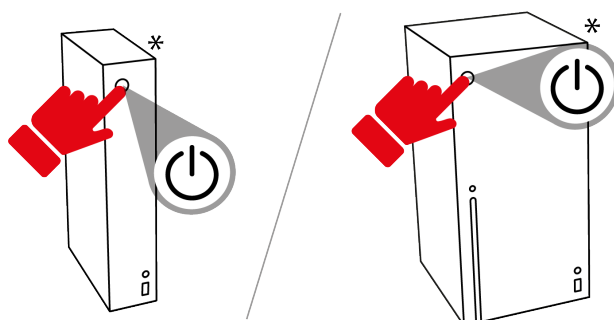
2. Ligue o cabo USB-C/USB-A à porta USB-C 18 do joystick e a uma das portas USB-A da consola\*.



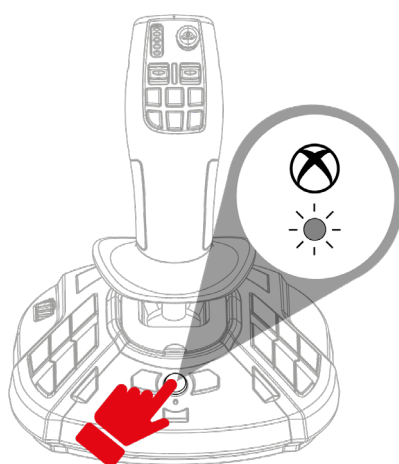
\* Não incluída



3. Ligue a consola.



4. Prima o botão Xbox. A luz indicadora do joystick irá brilhar a branco.



5. Inicie um jogo compatível.

Está agora pronto(a) para começar a jogar!

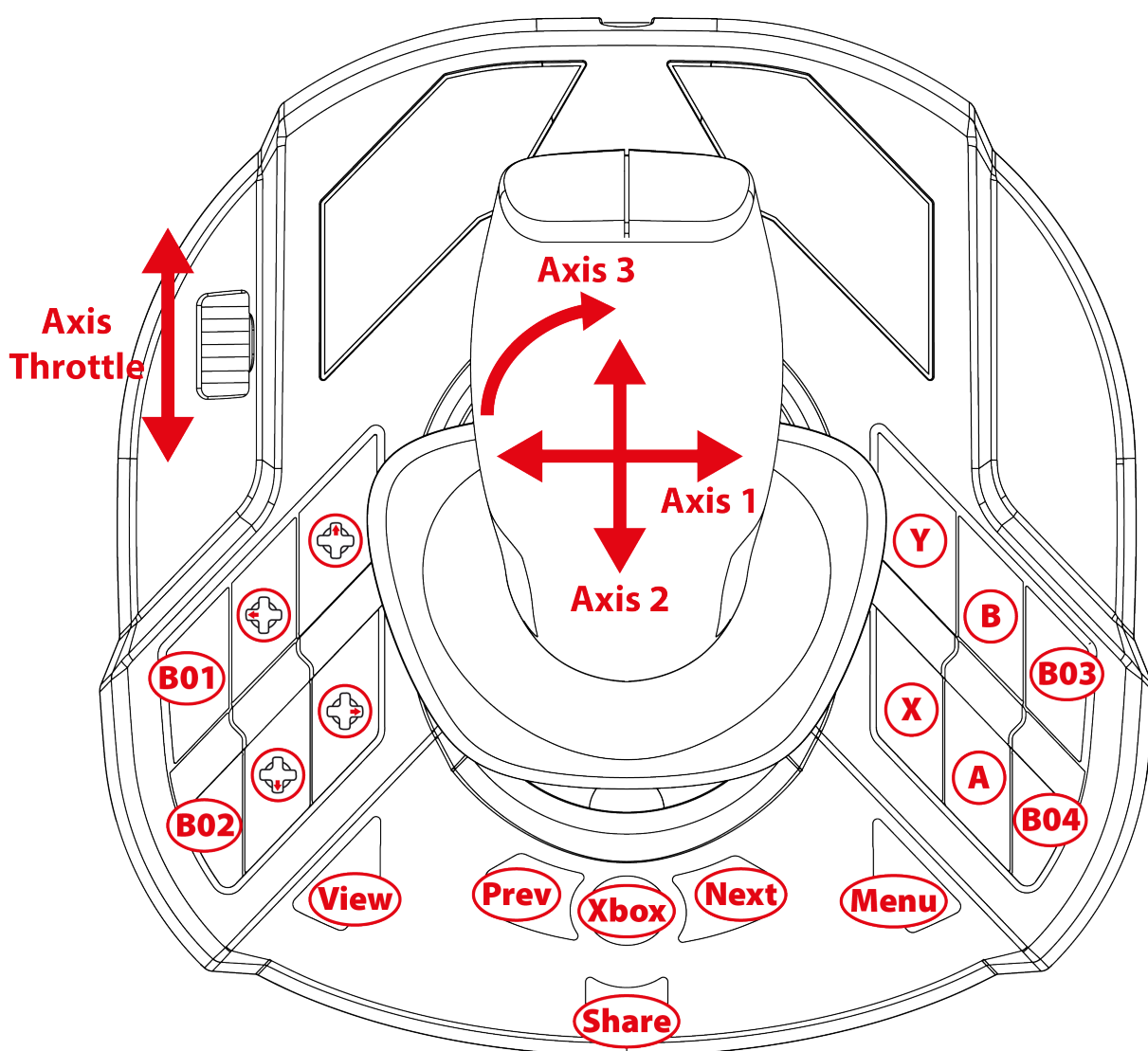


Ao ligar o joystick, mantenha sempre o manípulo na respetiva posição central; não o mova nem o rode, a fim de evitar quaisquer problemas de calibragem.

\* *Não incluída*

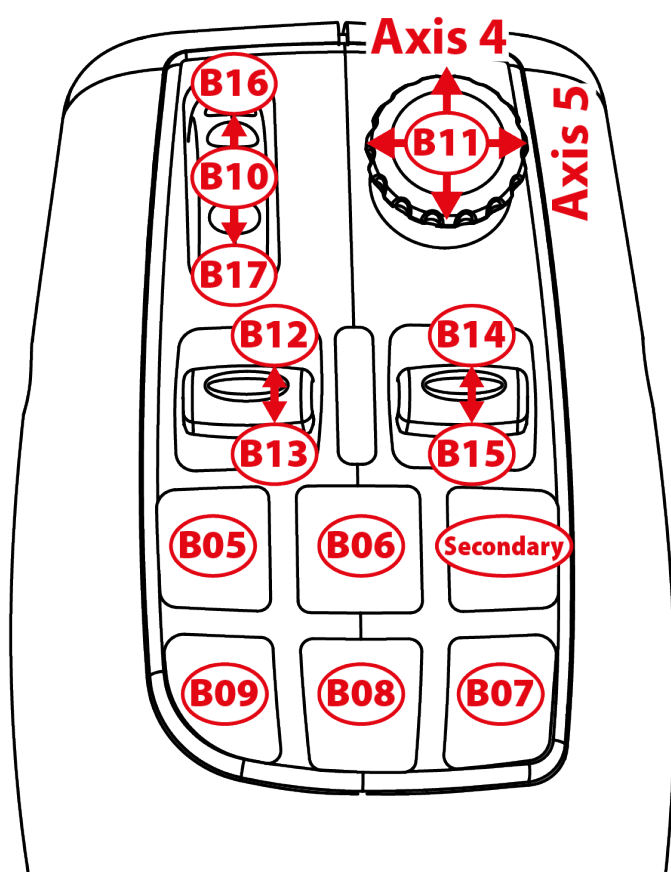


## 6. Mapeamento para a Xbox

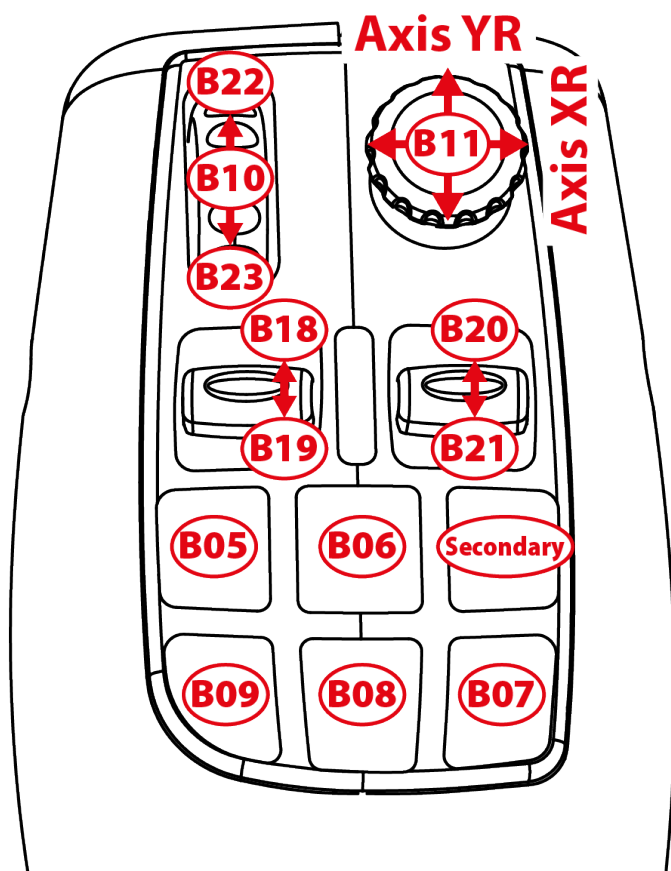


O mapeamento é idêntico nos modos destro e esquerdino.

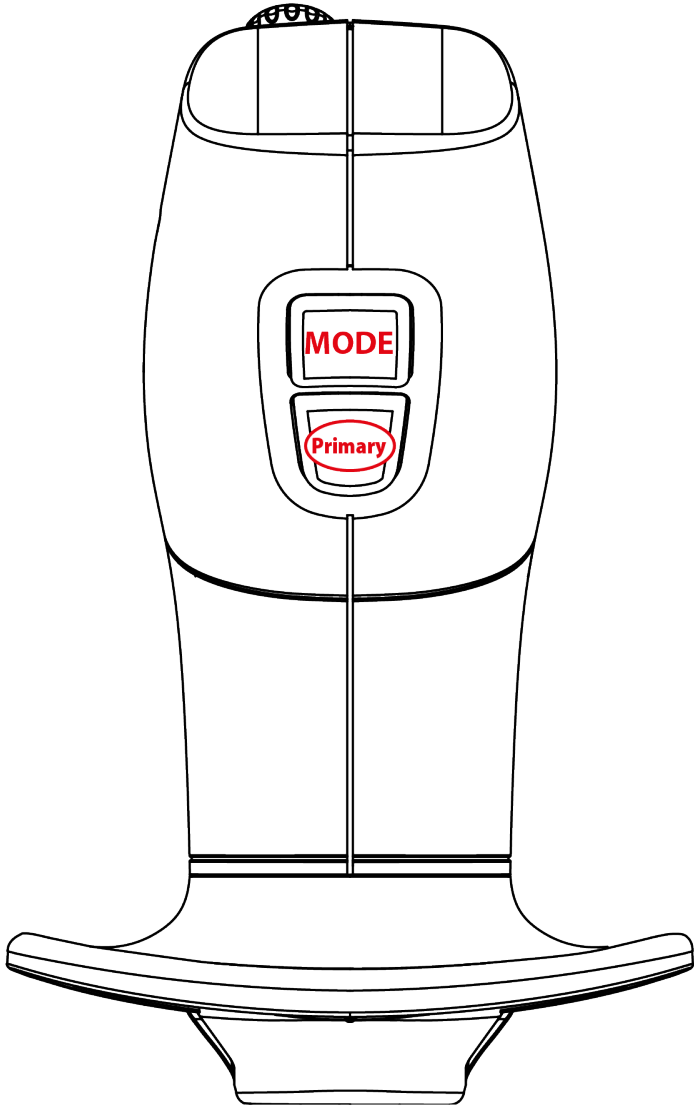
O modo destro (predefinido)/esquerdino pode ser selecionado seguindo **este** procedimento. Ao utilizar dois joysticks simultaneamente, este modo ajuda-o(a) a diferenciá-los.



**Modo Condução**



**Modo Trabalho**





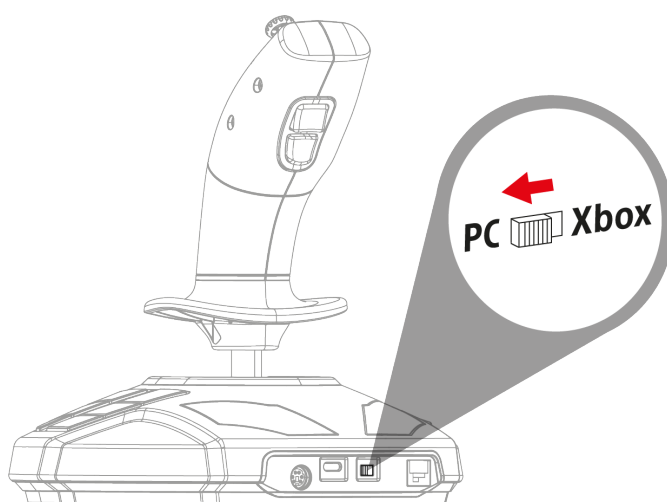
## 7. Instalação no PC

1. Visite:

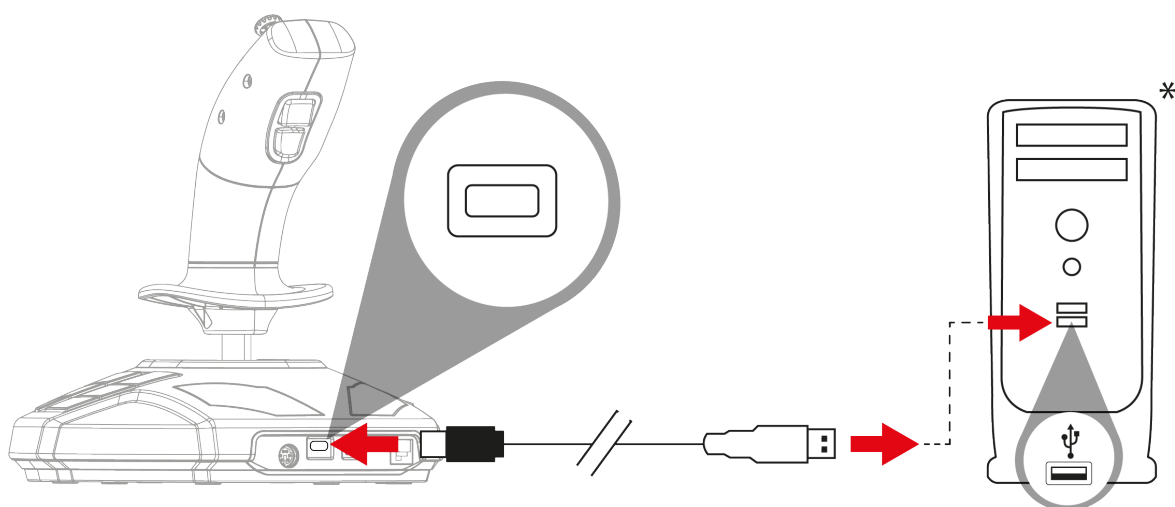
<https://support.thrustmaster.com/product/simtask-farmstick-x/>.

2. Transfira e instale o controlador para o PC e a respetiva interface personalizada para o Painel de Controlo do Windows.

3. Quando o controlador para o PC estiver instalado, ajuste o seletor 19 na parte posterior do joystick para a posição PC.



4. Ligue o cabo USB-C/USB-A à porta USB-C 18 do joystick e a uma das portas USB-A do PC\*.



\* Não incluído





5. Selecione **Iniciar / Definições / Painel de Controlo** e faça duplo clique em **Controladores de jogos**. A caixa de diálogo **Controladores de jogos** irá mostrar o nome do joystick com o estado **OK**.
6. Na janela do **Painel de Controlo**, clique em **Propriedades** para testar e ver todas as funcionalidades. Pode também seleccionar o modo destro (predefinido) ou o modo esquerdino.

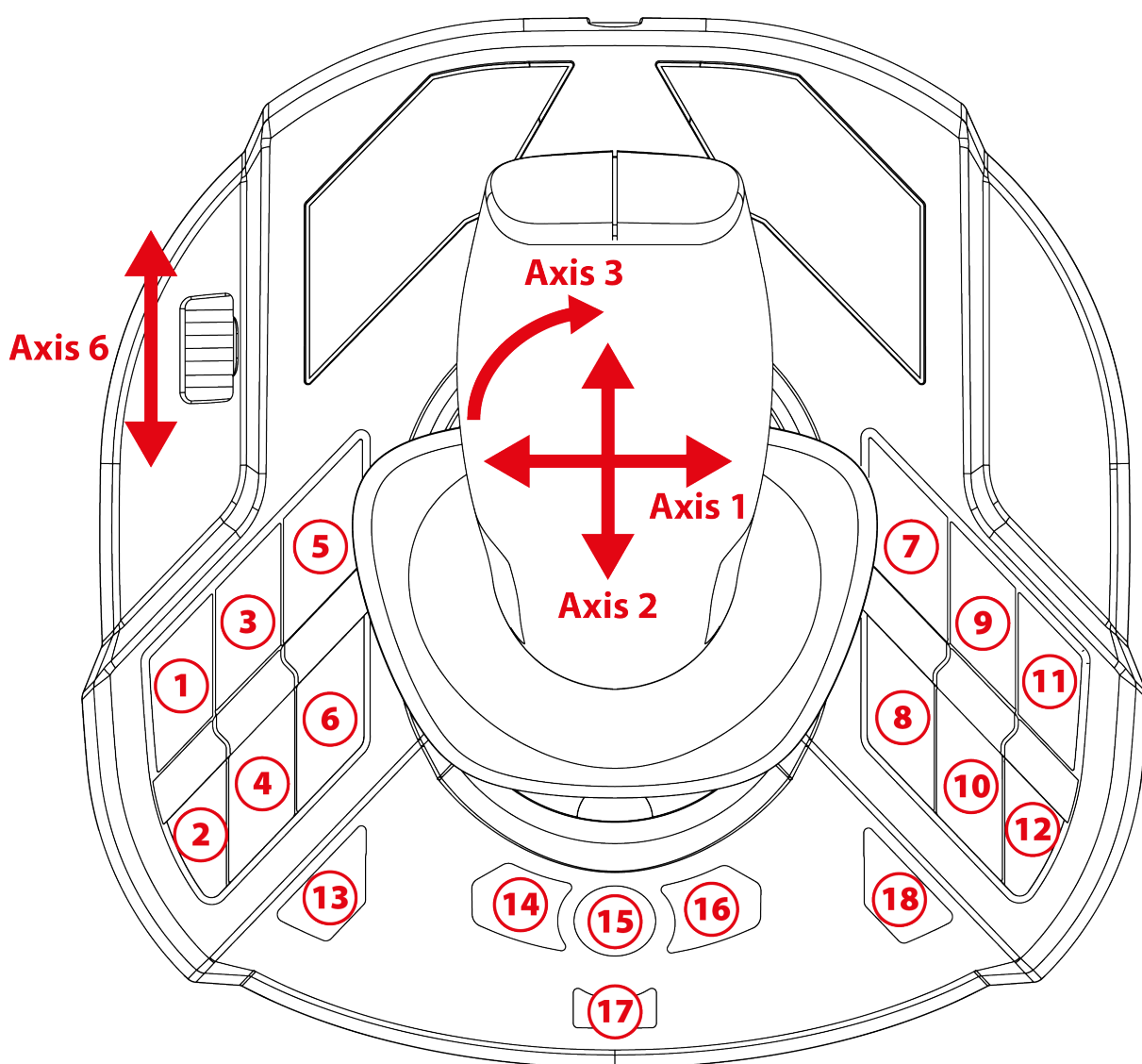
Está agora pronto(a) para começar a jogar!



Ao ligar o joystick, mantenha sempre o manípulo na respetiva posição central; não o mova nem o rode, a fim de evitar quaisquer problemas de calibragem.

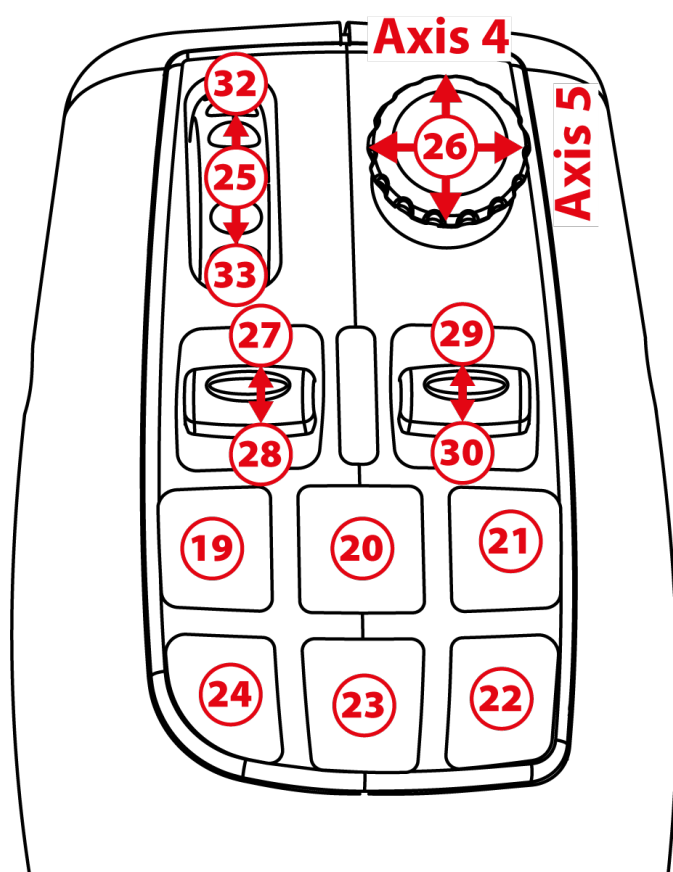


## 8. Mapeamento para o PC

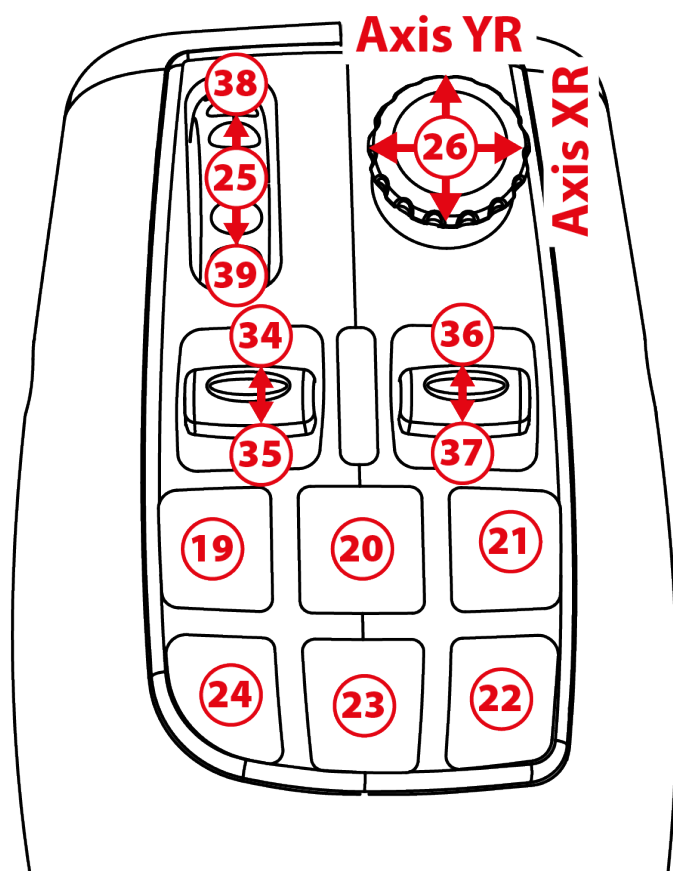


O mapeamento é idêntico nos modos destro e esquerdino.

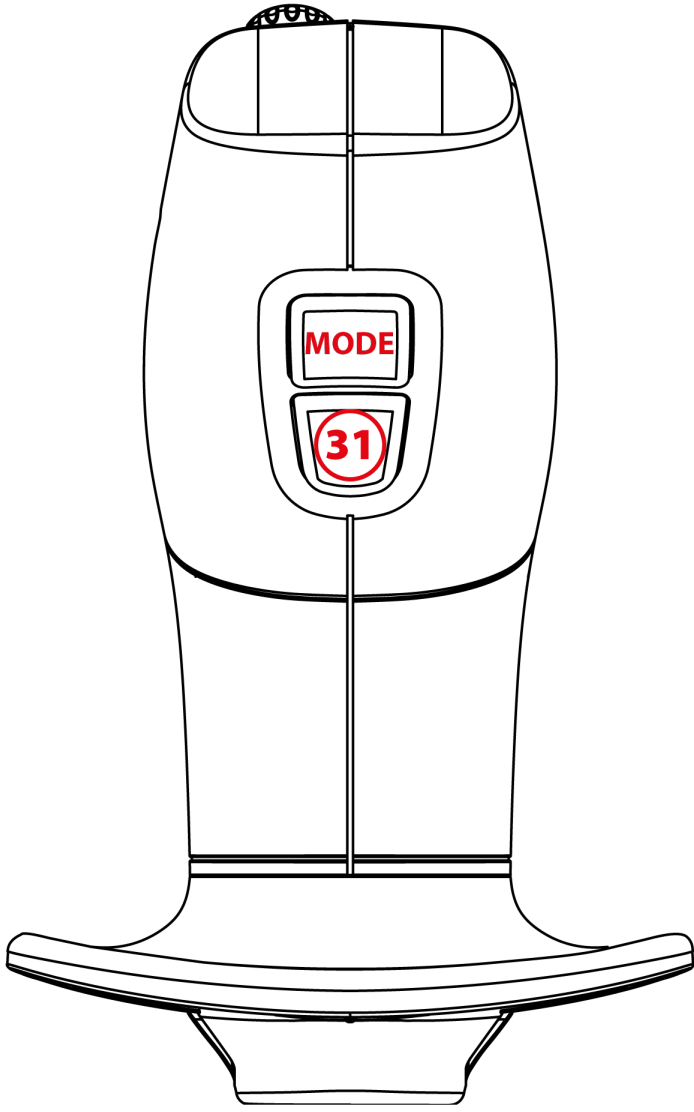
O modo destro (predefinido) ou esquerdino pode ser selecionado seguindo **este** procedimento ou no **Painel de Controle**. Ao utilizar dois joysticks simultaneamente, este modo ajuda-o(a) a diferenciá-los.



**Modo Condução**



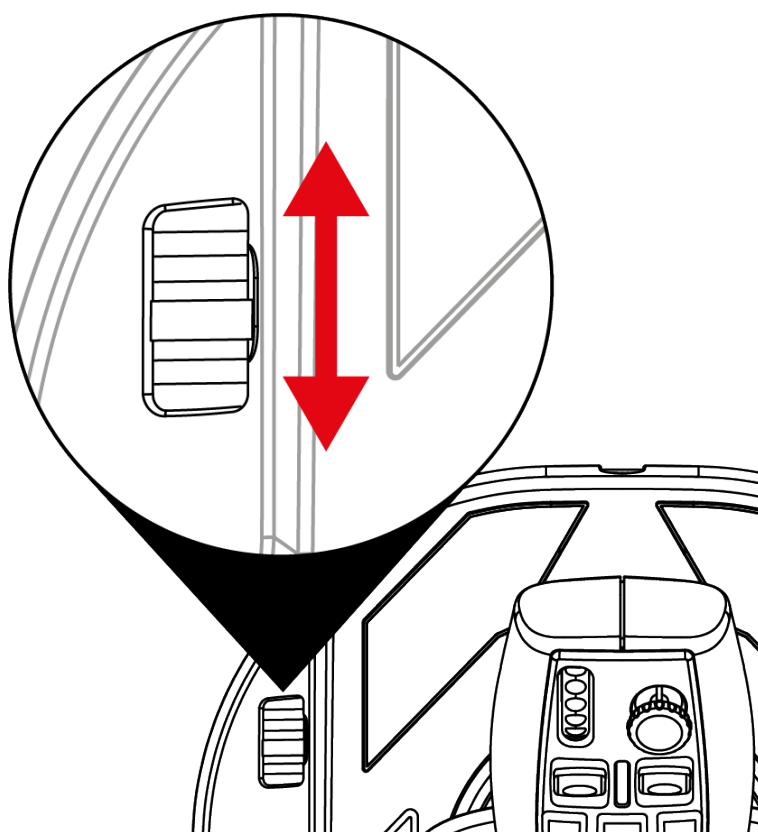
**Modo Trabalho**





## 9. Alavanca de potência

O seu joystick possui um manípulo ⑧ que lhe permite controlar facilmente a velocidade do motor.

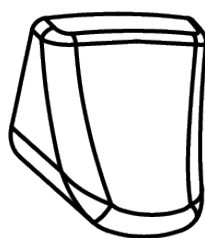




## 10. Gatilho intercambiável

O seu joystick possui um gatilho de ação intercambiável **16** que oferece ergonomia nos diferentes jogos.

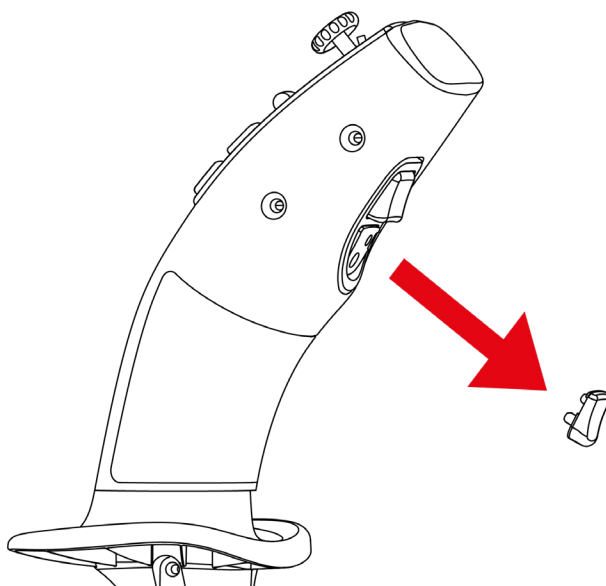
O gatilho instalado por predefinição pode ser substituído por um gatilho adequado para simulação de voo (incluído com o SimTask FarmStick).



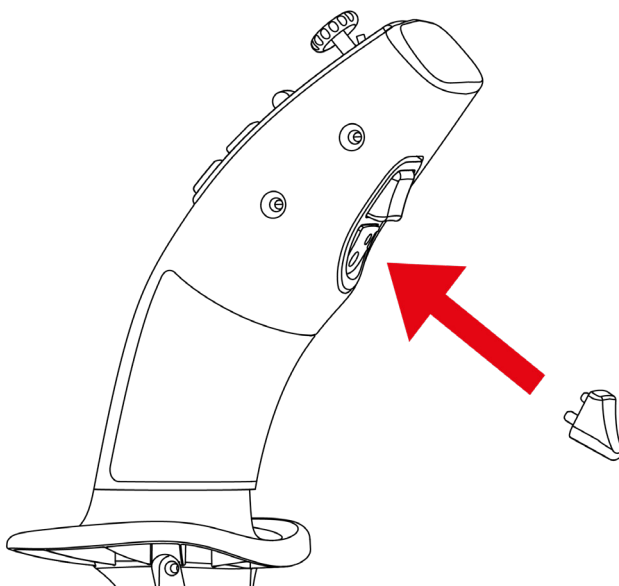


Para alterar o gatilho:

1. Coloque os dedos de cada lado do gatilho e puxe-o cuidadosamente.



2. Insira o novo gatilho na posição de montagem adequada.



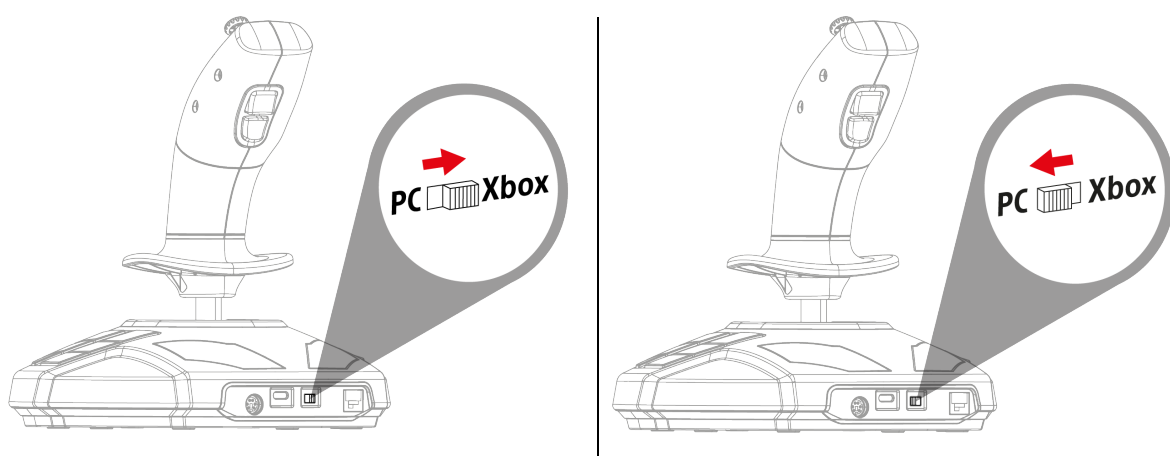
Os pinos de centragem devem encaixar na respetiva posição no manípulo. Não force a inserção do gatilho, uma vez que isto poderá danificar os pinos.



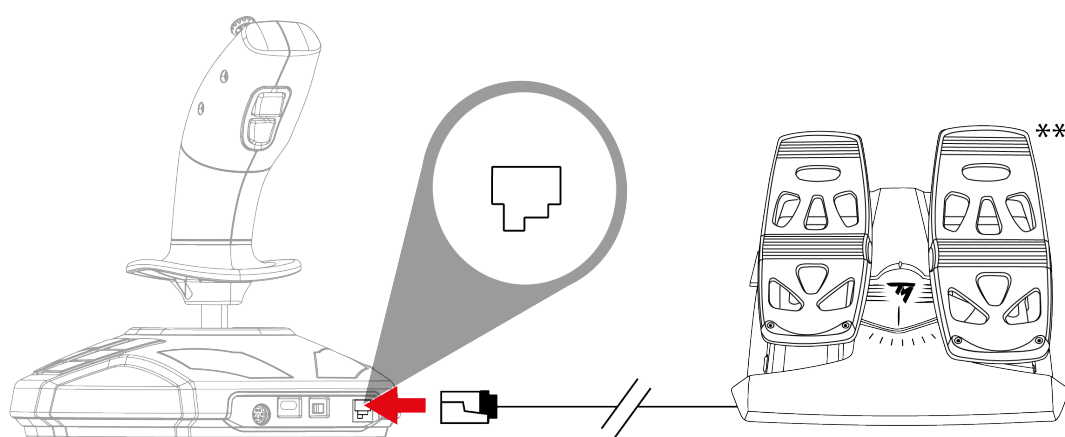
# 11. Instalação na Xbox Series X|S\* ou no PC\* com o leme de direção TFRP\*\*

O leme de direção TFRP\*\* é ligado ao SimTask FarmStick.

1. Ajuste o seletor 19 na parte posterior do joystick para a posição Xbox ou PC.



2. Ligue o cabo RJ12 do leme de direção TFRP à porta RJ12 20 na parte posterior do joystick.

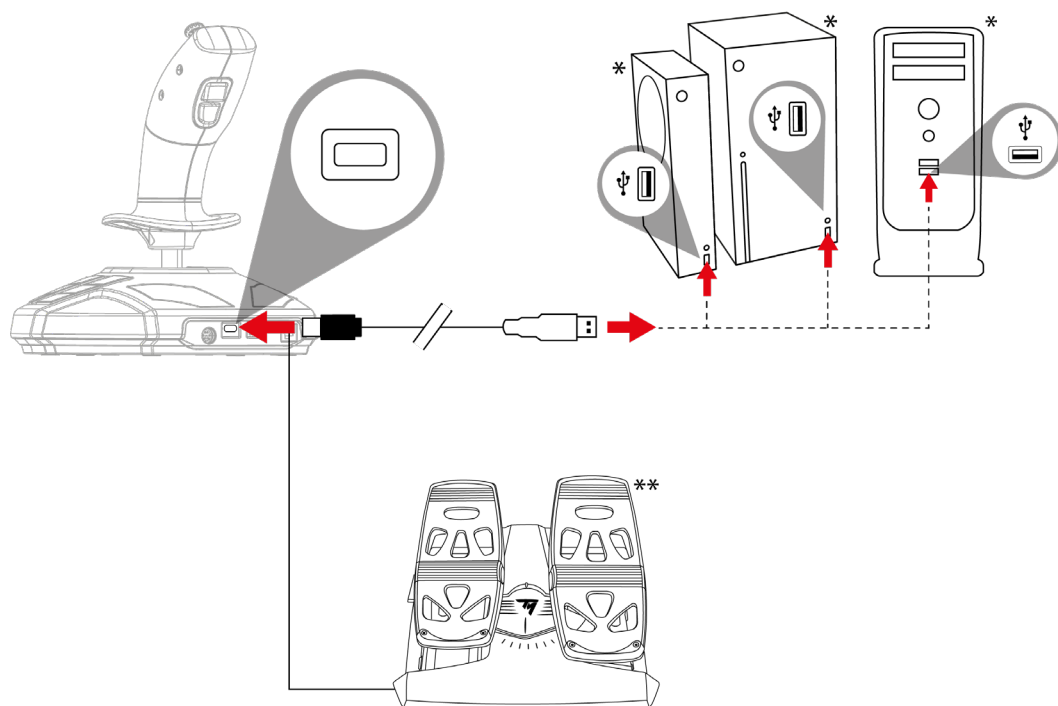


\* Não incluída / \*\* Vendido à parte





3. Ligue o cabo USB-C/USB-A à porta USB-C 18 do joystick e à porta USB-A da consola\* ou do PC\*.



- Ao ligar o joystick, mantenha sempre o manípulo na respetiva posição central; não o mova nem o rode, a fim de evitar quaisquer problemas de calibragem.
- Ao ligar o seu leme de direção ao joystick: mantenha sempre o eixo do leme de direção na respetiva posição central e não coloque os pés nos pedais do leme de direção para evitar quaisquer problemas de calibragem.

\* Não incluído(a) / \*\* Vendido à parte



## 12. Perguntas frequentes e suporte técnico

*O meu joystick não funciona corretamente ou parece estar mal calibrado.*

- Encerre a consola ou o computador e desligue o joystick; em seguida, volte a ligar a consola ou o computador, ligue novamente o joystick e reinicie o jogo.
- Ao ligar o joystick: mantenha sempre o manípulo na respetiva posição central; não o mova nem o rode, a fim de evitar quaisquer problemas de calibragem.
- Ao ligar o seu leme de direção ao joystick: mantenha sempre o eixo do leme de direção na respetiva posição central e não coloque os pés nos pedais do leme de direção para evitar quaisquer problemas de calibragem.



## ***Não consigo configurar o meu joystick.***

- No menu **Opções / Controlador / Gamepad** ou **Joystick** do jogo: selecione a configuração adequada, ou reconfigure completamente as opções do controlador.
- Consulte o manual do utilizador ou a ajuda online do jogo para mais informações.



## *O meu joystick é demasiado sensível ou não é suficientemente sensível.*

- O seu joystick autocalibra-se independentemente assim que tiver executado alguns movimentos ao longo dos diferentes eixos.
- No menu **Opções / Controlador / Gamepad** ou **Joystick** do jogo: ajuste a sensibilidade e as zonas mortas do joystick (se estas opções estiverem disponíveis).

Tem alguma questão relativamente ao SimTask FarmStick ou deparou-se com problemas técnicos? Se for o caso, visite o sítio Web de suporte técnico da Thrustmaster:

<https://support.thrustmaster.com/product/simtask-farmstick-x/>.



# **THRUSTMASTER®**



# **SIMTASK FARMSTICK**

**XBOX SERIES X|S – ПК**

## **Руководство пользователя**



**Внимательно прочитайте инструкции,** содержащиеся в данном руководстве, **перед** установкой, **перед** любым использованием продукта и **перед** любым техническим обслуживанием. Обязательно соблюдайте правила техники безопасности. Несоблюдение техники безопасности может привести к несчастным случаям или повреждениям. Сохраните это руководство, чтобы иметь возможность обратиться к инструкциям в будущем.

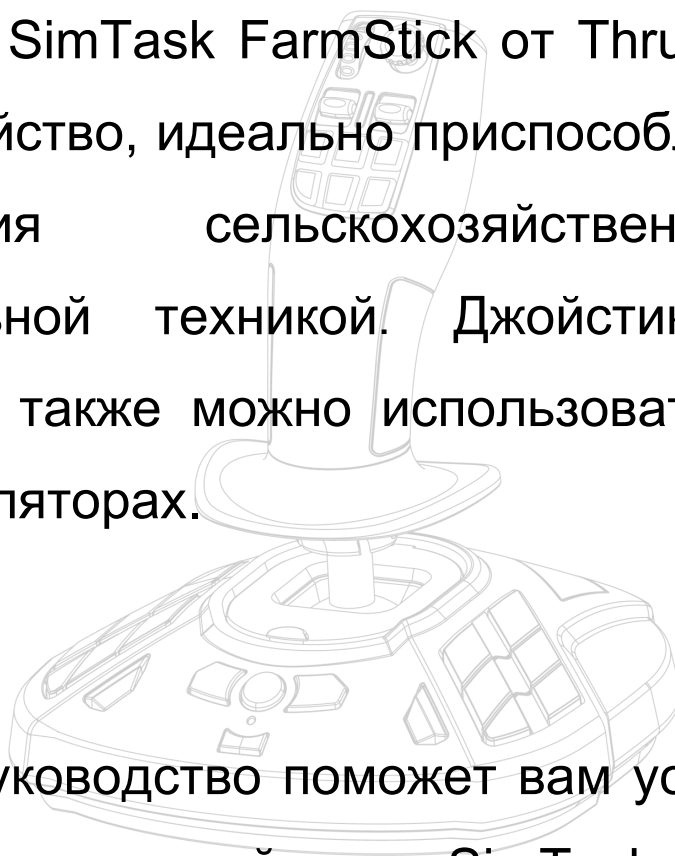
# СОДЕРЖАНИЕ

1.	СОДЕРЖИМОЕ КОРОБКИ .....	5
2.	ОПИСАНИЕ УСТРОЙСТВА.....	6
3.	ИНФОРМАЦИЯ ПО ИСПОЛЬЗОВАНИЮ .	9
4.	ОПИСАНИЕ ДЖОЙСТИКА .....	12
	<i>Основные особенности .....</i>	<i>12</i>
	<i>H.E.A.R.T. (HallEffect AccuRate Technology) — технология точного управления .....</i>	<i>13</i>
	<i>Режим движения &lt;&gt; рабочий режим.....</i>	<i>14</i>
	<i>Вращающаяся рукоятка .....</i>	<i>17</i>
	<i>Мини-стик для изменения угла обзора .....</i>	<i>18</i>
	<i>Подключение джойстика SimTask FarmStick к Xbox Series X S* и ПК* .....</i>	<i>19</i>
	<i>Настройка джойстика для игры правой и левой рукой .....</i>	<i>21</i>

<b>5. НАСТРОЙКА НА КОНСОЛЯХ</b>	
<b>XBOX SERIES X S .....</b>	<b>24</b>
<b>6. НАЗНАЧЕНИЕ КНОПОК ДЛЯ КОНСОЛЕЙ</b>	
<b>XBOX .....</b>	<b>26</b>
<b>7. НАСТРОЙКА НА ПК .....</b>	<b>29</b>
<b>8. НАЗНАЧЕНИЕ КНОПОК ДЛЯ ПК .....</b>	<b>31</b>
<b>9. РЫЧАГ УПРАВЛЕНИЯ .....</b>	<b>34</b>
<b>10. ПЕРЕСТАВЛЯЕМЫЙ ТРИГГЕР .....</b>	<b>35</b>
<b>11. НАСТРОЙКА НА КОНСОЛЯХ XBOX</b>	
<b>SERIES X S* ИЛИ ПК* С РУЛЕМ УПРАВЛЕНИЯ</b>	
<b>TFRP** .....</b>	<b>37</b>
<b>12. ЧАСТО ЗАДАВАЕМЫЕ ВОПРОСЫ И</b>	
<b>ТЕХНИЧЕСКАЯ ПОДДЕРЖКА.....</b>	<b>39</b>



Джойстик SimTask FarmStick от Thrustmaster — это устройство, идеально приспособленное для управления сельскохозяйственной и строительной техникой. Джойстик SimTask FarmStick также можно использовать в играх-авиасимуляторах.

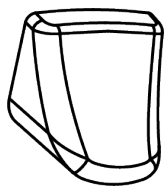
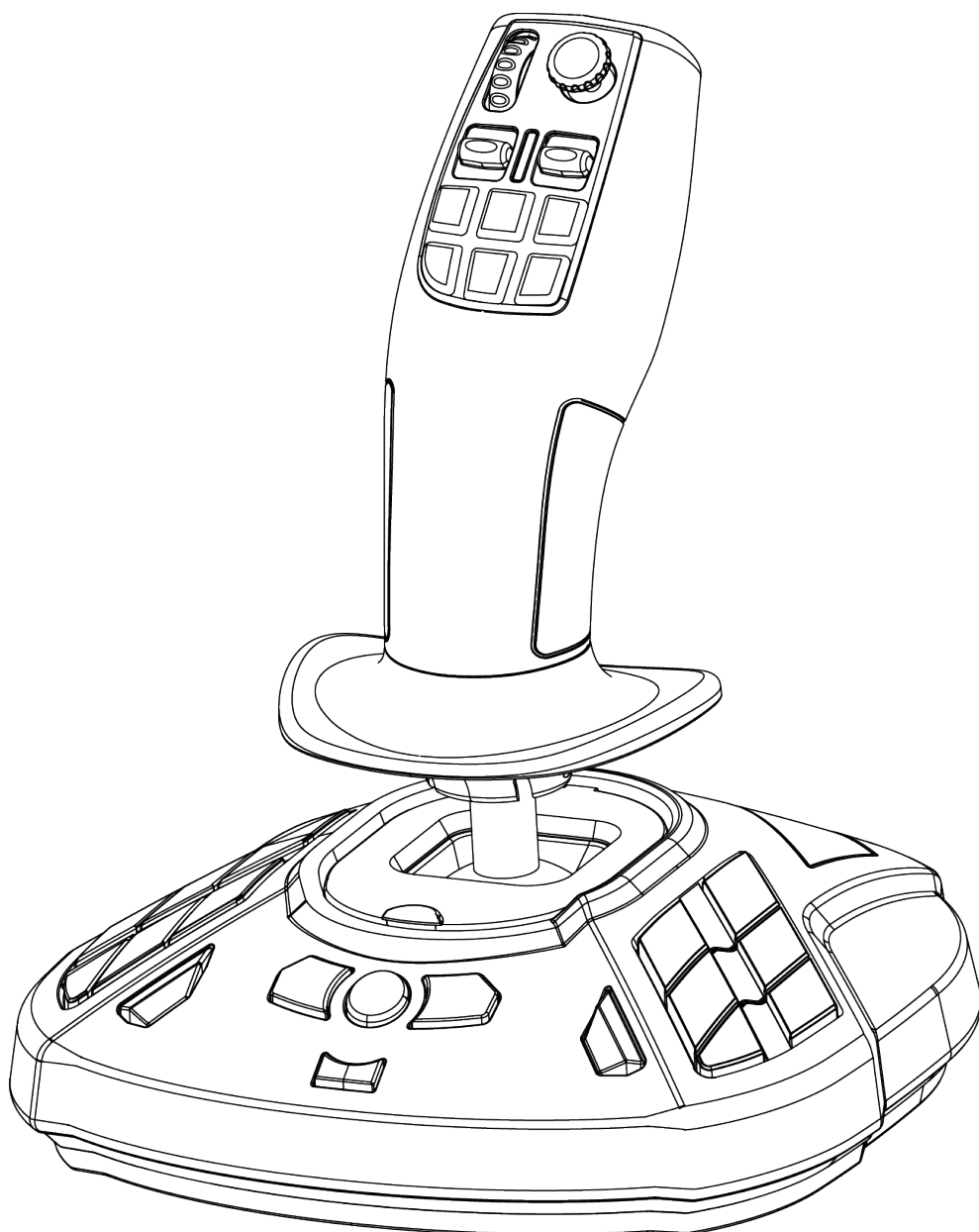


Данное руководство поможет вам установить и использовать джойстик SimTask FarmStick наилучшим образом. Перед началом работы обязательно внимательно прочитайте все инструкции и предупреждения: они помогут вам получить максимальное удовольствие от использования устройства.



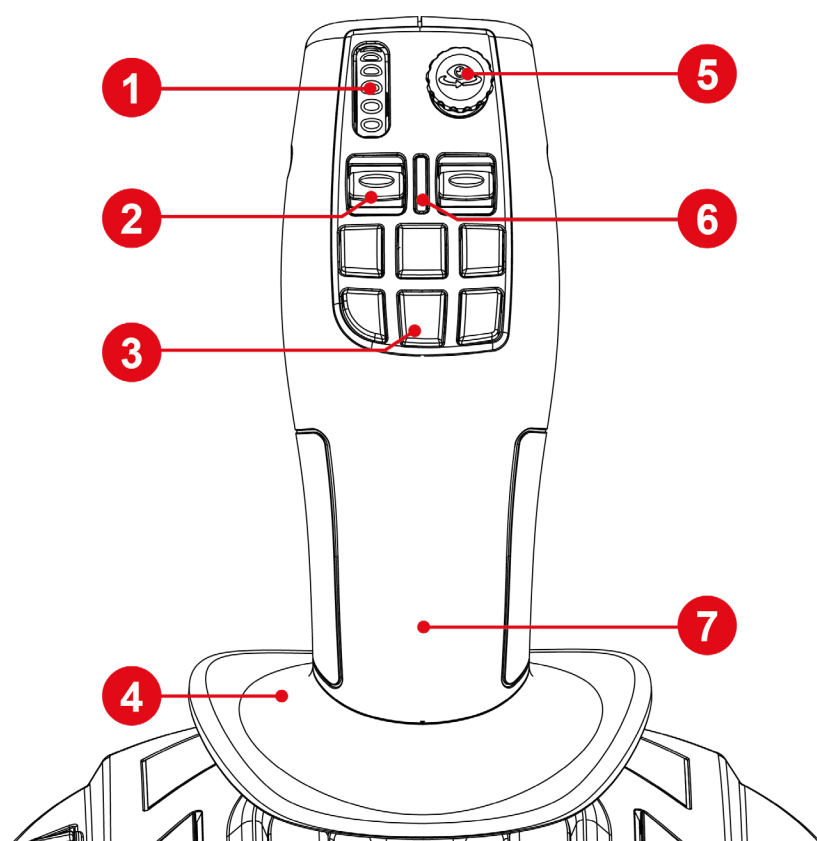


# 1. Содержимое коробки

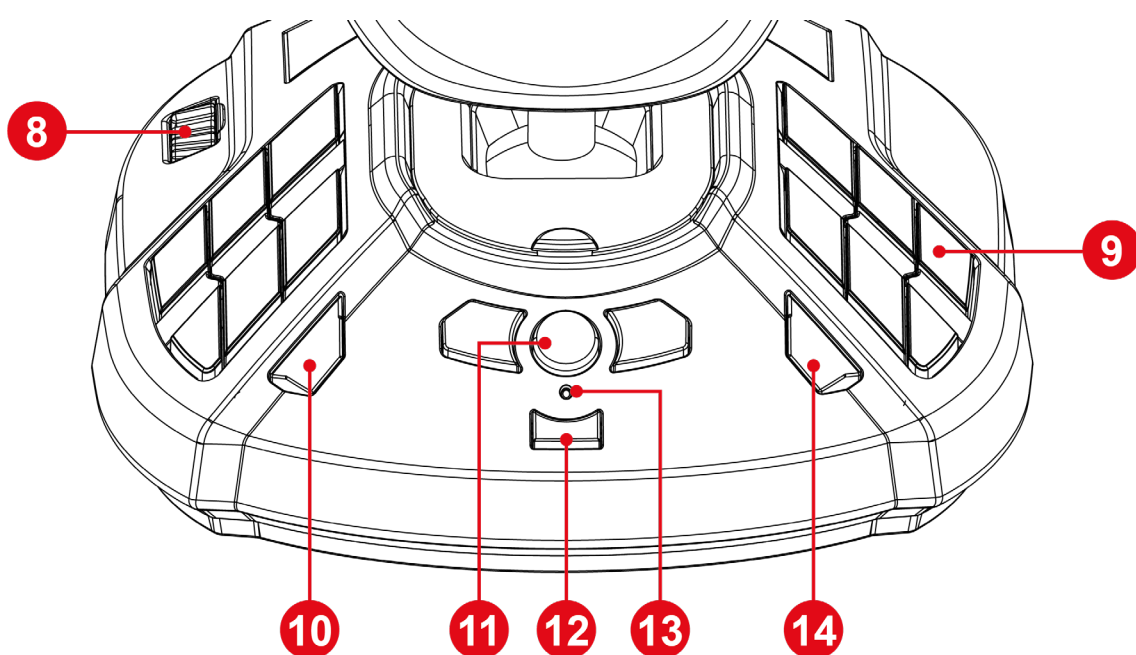




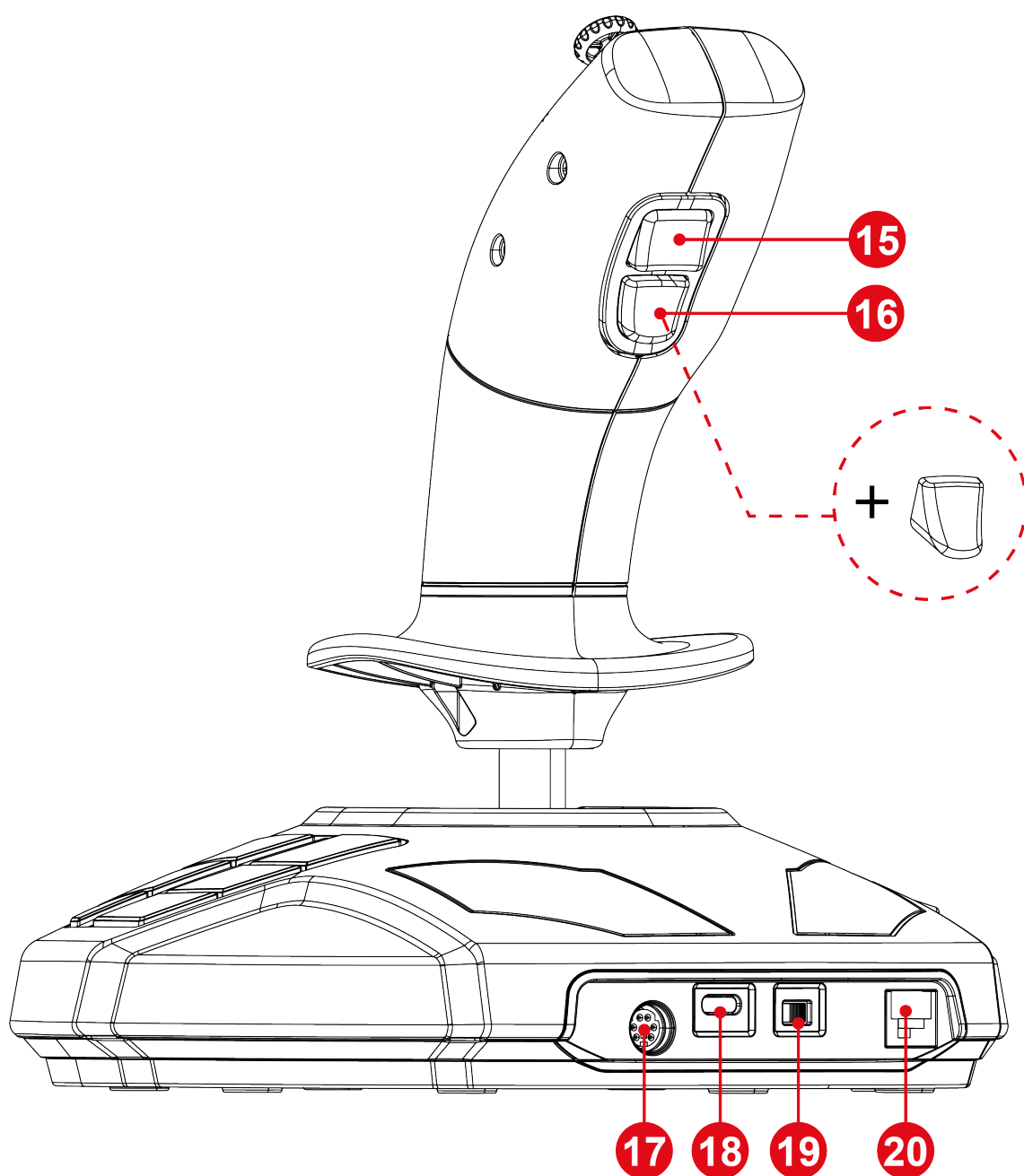
## 2. Описание устройства



1. Колесо под большой палец
2. Кулисный переключатель
3. Кнопки управления для основных действий
4. Опора для запястья
5. Мини-стик для изменения угла обзора
6. Светодиодный индикатор режима джойстика
7. Рукоятка для левой и правой руки



- 8. Рычаг управления
- 9. Программируемые функциональные кнопки
- 10. Кнопка View (Просмотр)
- 11. Кнопка Xbox
- 12. Кнопка Share (Поделиться)
- 13. Световой индикатор
- 14. Кнопка Menu (Меню)



- 15. Кнопка переключения режимов джойстика
- 16. Переставляемый функциональный триггер
- 17. Порт DIN для дополнительных аксессуаров\*
- 18. Порт USB-C
- 19. Переключатель режима Xbox/ПК
- 20. Порт RJ12 для руля управления TFRP\*

*\*продается отдельно*



### 3. Информация по использованию



#### **Документация**

Перед использованием данного продукта внимательно ознакомьтесь с настоящим руководством и сохраните его для последующего использования.



### **Поражение электрическим током**

- Храните устройство в сухом месте и берегите его от воздействия пыли и солнечного света.
- Соблюдайте указания по подключению.
- Не перекручивайте провода или кабели и не тяните за них.
- Не допускайте попадания жидкости на устройство или его провода.
- Берегите устройство от короткого замыкания.
- Ни в коем случае не разбирайте устройство; берегите его от огня и от воздействия высоких температур.
- Не открывайте устройство: внутри нет деталей, предназначенных для обслуживания пользователем. Все ремонтные работы должны выполняться производителем, его официальным представителем или квалифицированным специалистом.



### **Безопасность игровой зоны**

- Не ставьте в игровой зоне никаких предметов, которые могут помешать игроку или которые могут спровоцировать неловкое движение или вмешательство другого человека (например, чашка с кофе, телефон, ключи).
- Не закрывайте провода питания ковром, одеялом или любым другим настилом, не размещайте кабели в местах передвижения людей.



## 4. Описание джойстика

### *Основные особенности*

- 33 кнопки и 6 виртуальных кнопок, включая колесо для большого пальца и два кулисных переключателя
- 6 осей, включая мини-стик, вращение рукоятки джойстика и рычаг управления
- Светодиодный индикатор режима джойстика
- Технология H.E.A.R.T. (HallEffect AccuRate Technology)
- Подключение к порту USB-A
- Рычаг управления
- Порт RJ12 для руля управления TFRP\*

*\*продается отдельно*





## *H.E.A.R.T. (HallEffect AccuRate Technology) — технология точного управления*

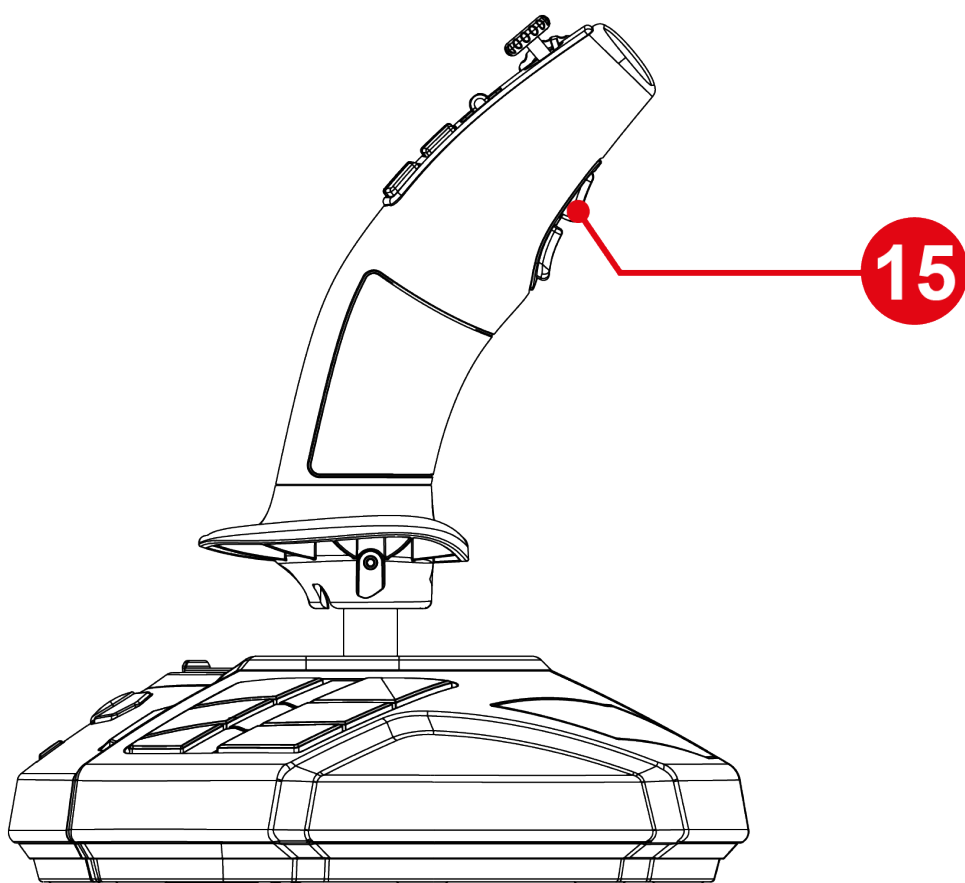
В джойстике SimTask FarmStick используется технология, обеспечивающая такую точность, которой в настоящее время нет аналогов в мире игровых джойстиков. Вот некоторые ее особенности:

- Трехмерные магнитные датчики (эффект Hall ) на рукоятке с разрешением более 268 млн значений по всем осям X и Y (16 384 x 16 384 значений).
- Магнит: без трения, для обеспечения максимальной точности и невероятной скорости отклика, которые не изменяются со временем.
- Цилиндрическая винтовая пружина на рукоятке (2,8 мм): для стабильного и чрезвычайно плавного линейного сопротивления.



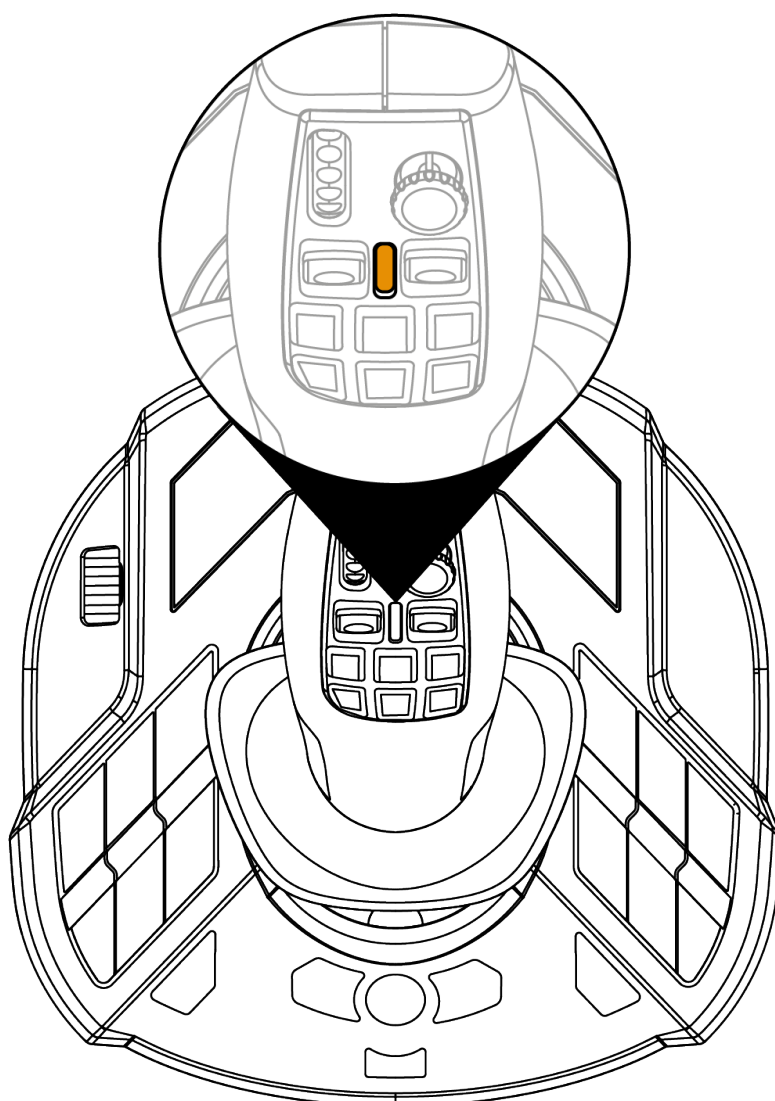
## Режим движения <math>\leftrightarrow</math> рабочий режим

Кнопка **15** позволяет переключиться из режима движения техники в режим работы и наоборот.



Эта функция расширяет диапазон действий, которые можно выполнять с помощью большого пальца, то есть с помощью колеса **1** и двух кулисных переключателей **2**.

Смена режима меняет функцию колеса **1** и переключателей **2**.



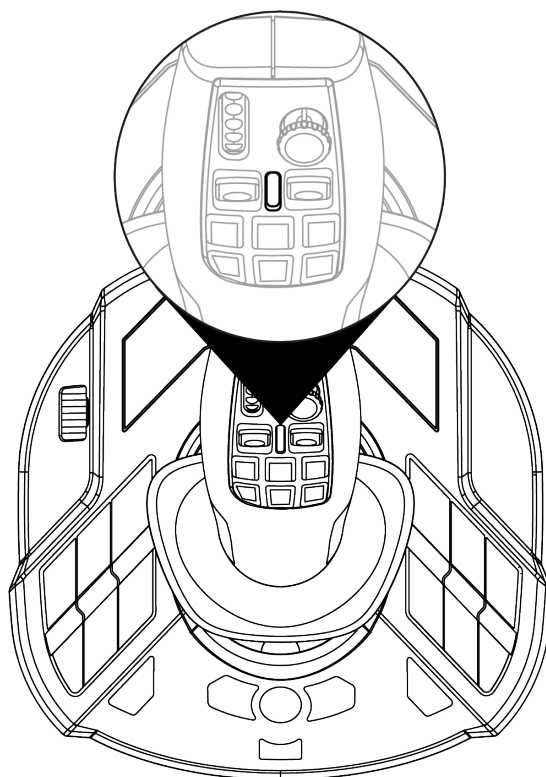
### Режим движения (по умолчанию)

В режиме **движения** светодиодный индикатор режима джойстика **6** горит оранжевым.



В режиме **движения** колесо **1** и кулисные переключатели **2** могут выполнять следующие функции:

- Колесо под большой палец — управление контрольной точкой регулятора.
- Кулисные переключатели — управление коробкой передач.



## Режим работы

В режиме **работы** светодиодный индикатор режима работы джойстика **6** горит белым.



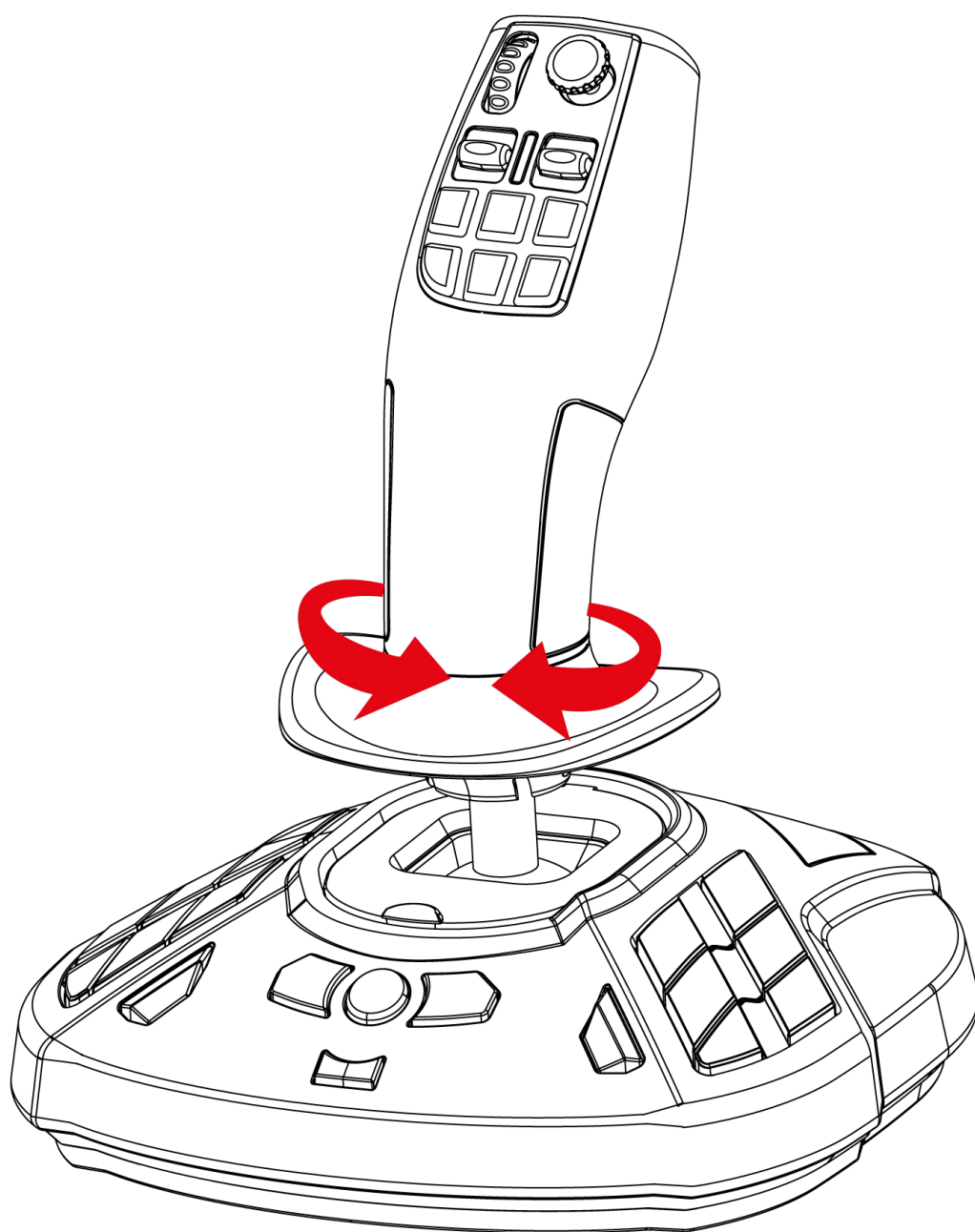
В режиме **работы** колесо **1** и кулисные переключатели **2** могут выполнять следующие функции:

- Колесо — управление зумом камеры.
- Кулисные переключатели — управление стрелами кранов или навесным оборудованием.



## *Вращающаяся рукоятка*

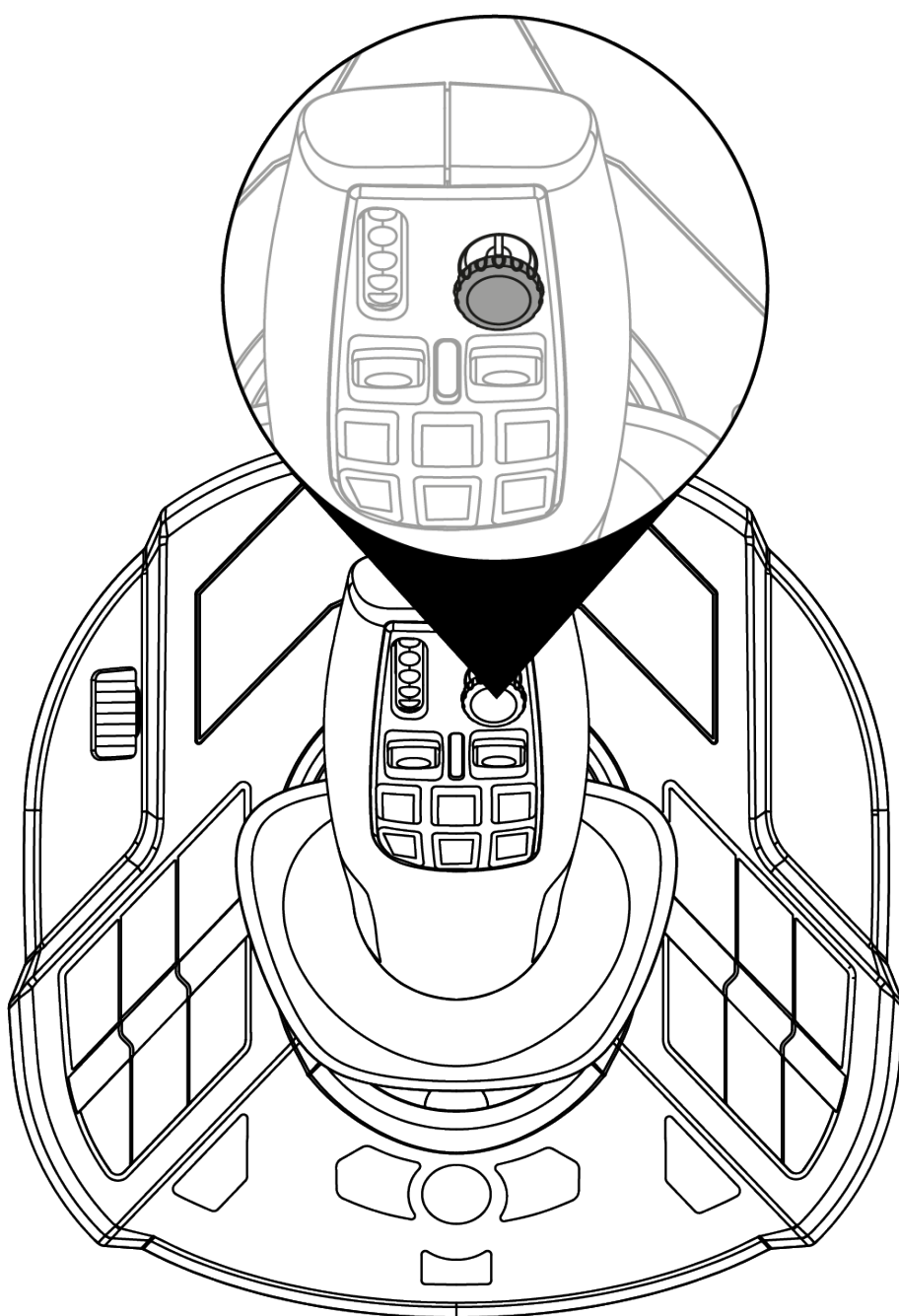
Рукоятка SimTask FarmStick вращается в горизонтальной плоскости. Это удобно, например, если нужно повернуть стрелу крана или ковш экскаватора.





## Мини-стик для изменения угла обзора

Джойстик SimTask FarmStick оснащен мини-стиком **5**, который позволяет видеть то, что находится в поле зрения оператора машины.





## **Подключение джойстика SimTask FarmStick к Xbox Series X|S\* и ПК\***

Джойстик SimTask FarmStick оснащен 6 осями, но также имеет порт для подключения руля управления TFRP\*\* на задней панели. Это обеспечивает 2 дополнительные оси, а также позволяет использовать руль управления TFRP.

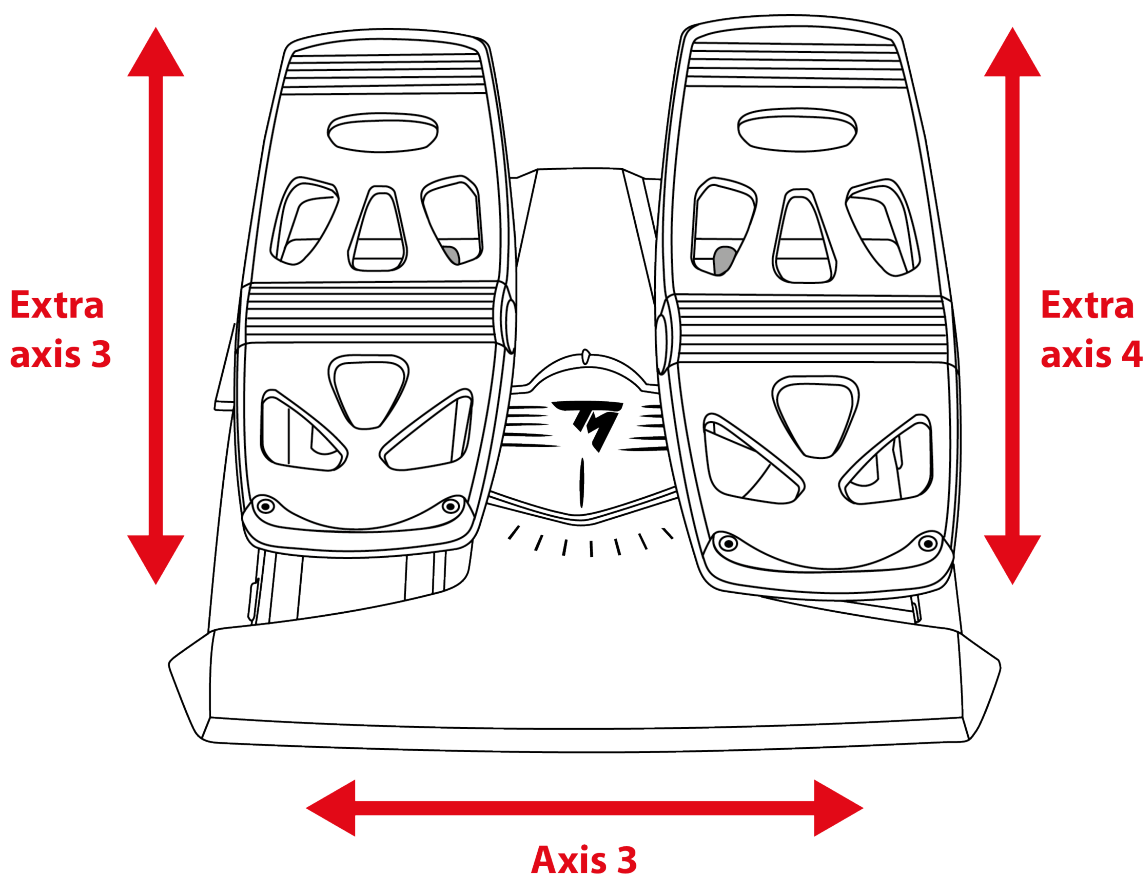


Руль управления TFRP — это единственное устройство, которое поддерживается на Xbox Series X|S и на ПК

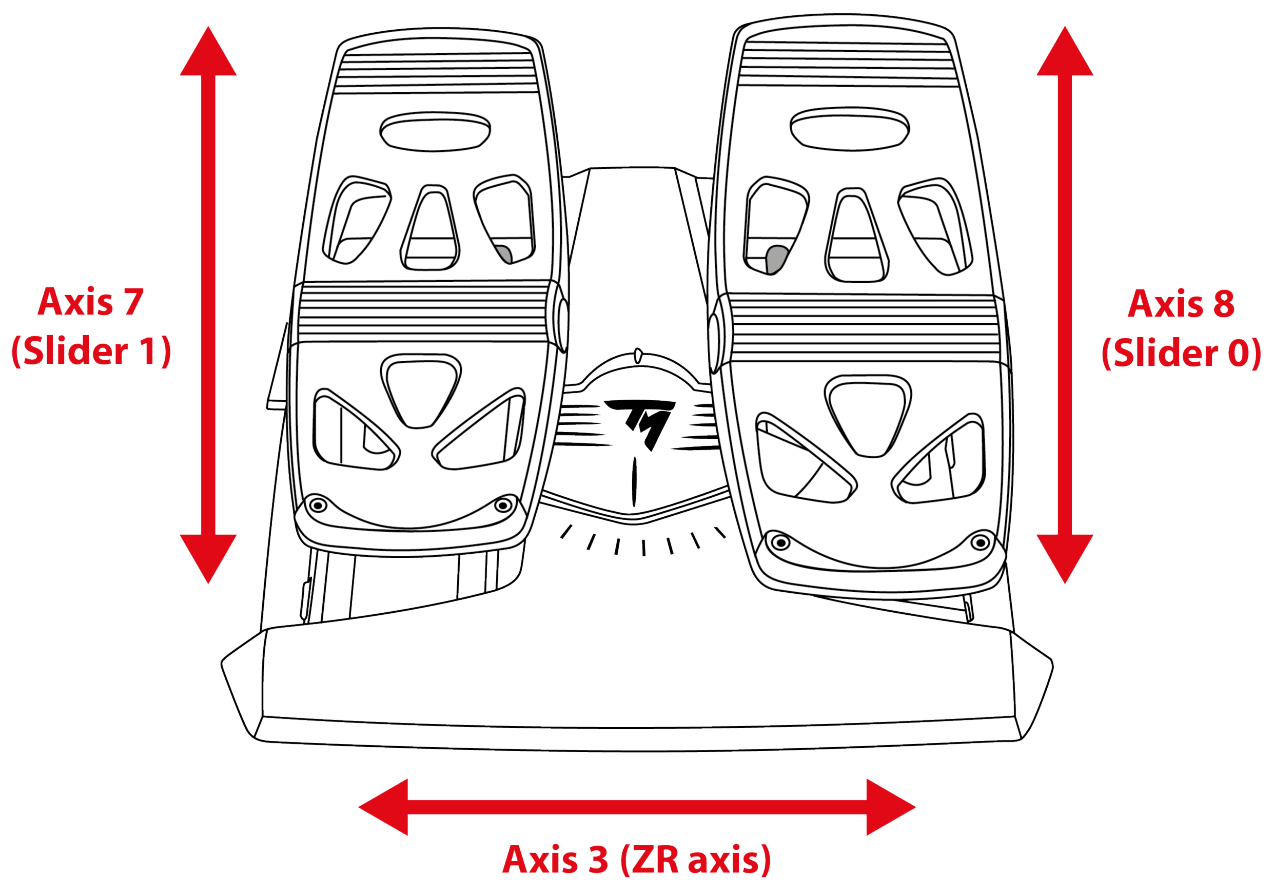
*\*в комплект не входит / \*\*продается отдельно*



Назначение кнопок для Xbox:



Назначение кнопок для ПК:







## ***Настройка джойстика для игры правой и левой рукой***

Джойстик SimTask FarmStick может быть быстро адаптирован под игру любой рукой, правой или левой.

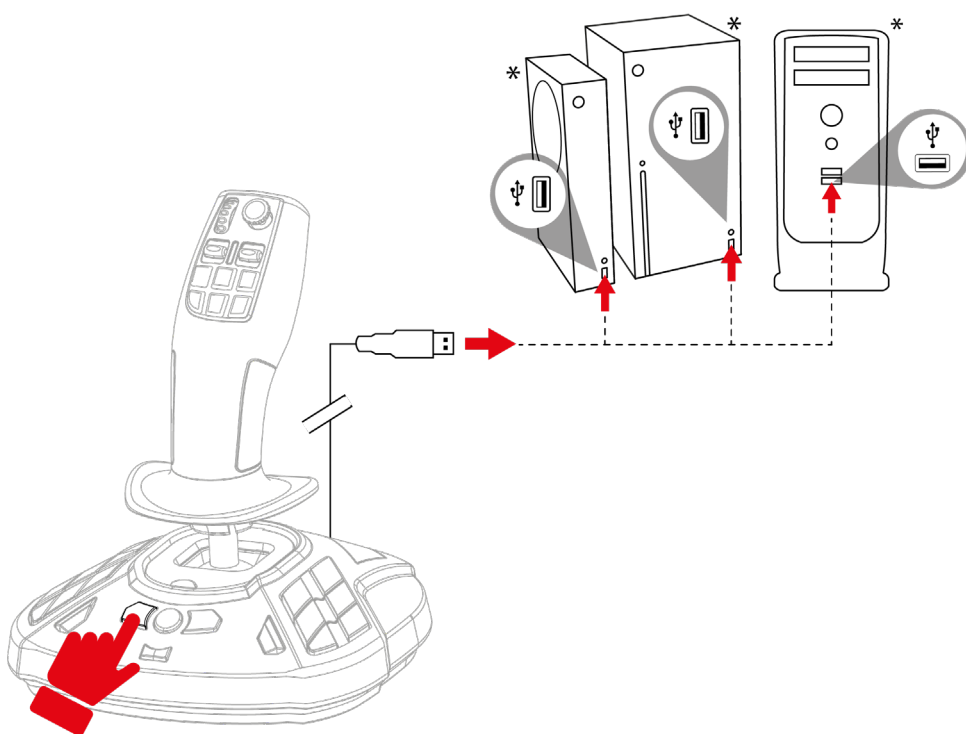
По умолчанию джойстик настроен для игры правой рукой.



Чтобы настроить джойстик для игры левой рукой:

1. Нажмите и удерживайте кнопку 14 (на ПК) или Prev (на Xbox Series X|S) при подключении джойстика SimTask FarmStick к Xbox Series X|S или к ПК.

Светодиодный индикатор джойстика **6** будет мигать белым в течение 5 секунд.



2. Отпустите кнопку 14 (на ПК) или Prev (на Xbox Series X|S).



Режим игры левой рукой автоматически сохранится во внутренней памяти джойстика SimTask FarmStick.

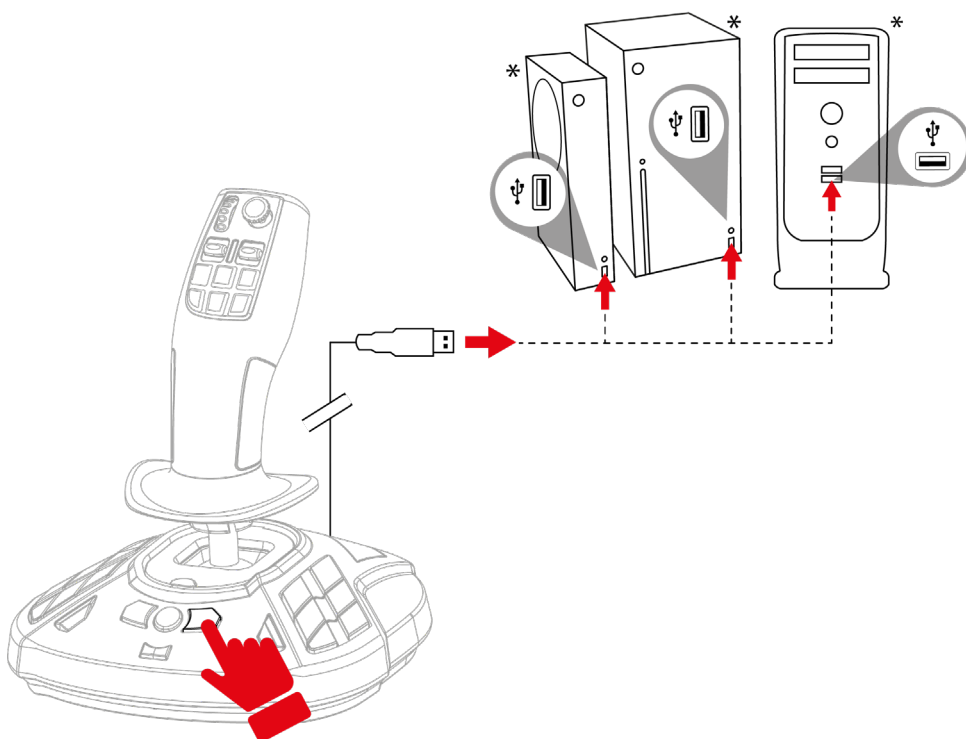
*\*в комплект не входит*



Чтобы настроить джойстик для игры правой рукой:

1. Нажмите и удерживайте кнопку 16 (на ПК) или Next (на Xbox Series X|S) при подключении джойстика SimTask FarmStick к Xbox Series X|S или ПК.

Светодиодный индикатор джойстика **6** будет мигать оранжевым в течение 5 секунд.



2. Отпустите кнопку 16 (на ПК) или Next (на консолях Xbox Series X|S).



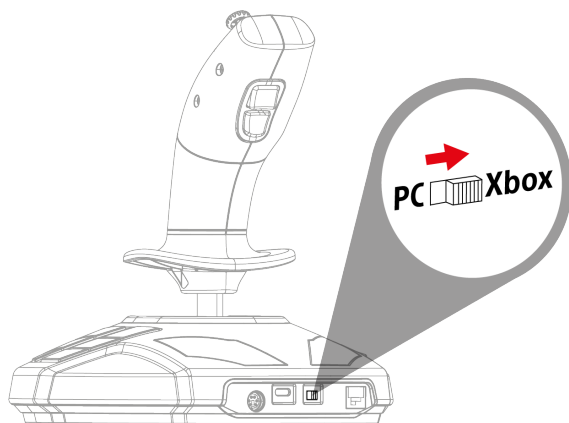
Режим игры правой рукой автоматически сохранится во внутренней памяти джойстика SimTask FarmStick.

*\*в комплект не входит*

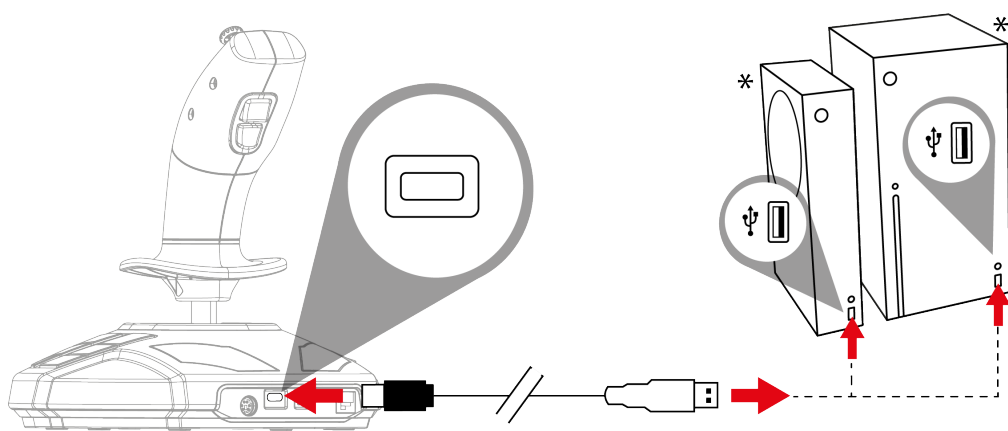


## 5. Настройка на консолях Xbox Series X|S

1. Установите переключатель 19 на задней панели джойстика в положение Xbox.



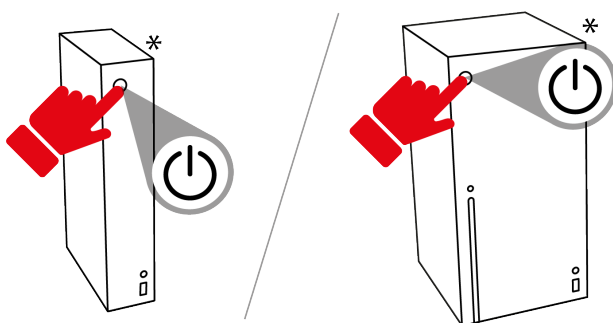
2. Подключите кабель USB-C – USB-A к порту USB-C 18 на джойстике и к порту USB-A на консоли\*.



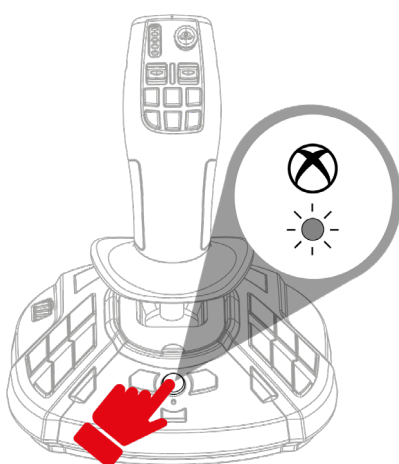
*\*в комплект не входит*



3. Включите консоль.



4. Нажмите кнопку Xbox. Световой индикатор джойстика загорится белым.



5. Запустите совместимую игру.

Теперь вы готовы к игре!

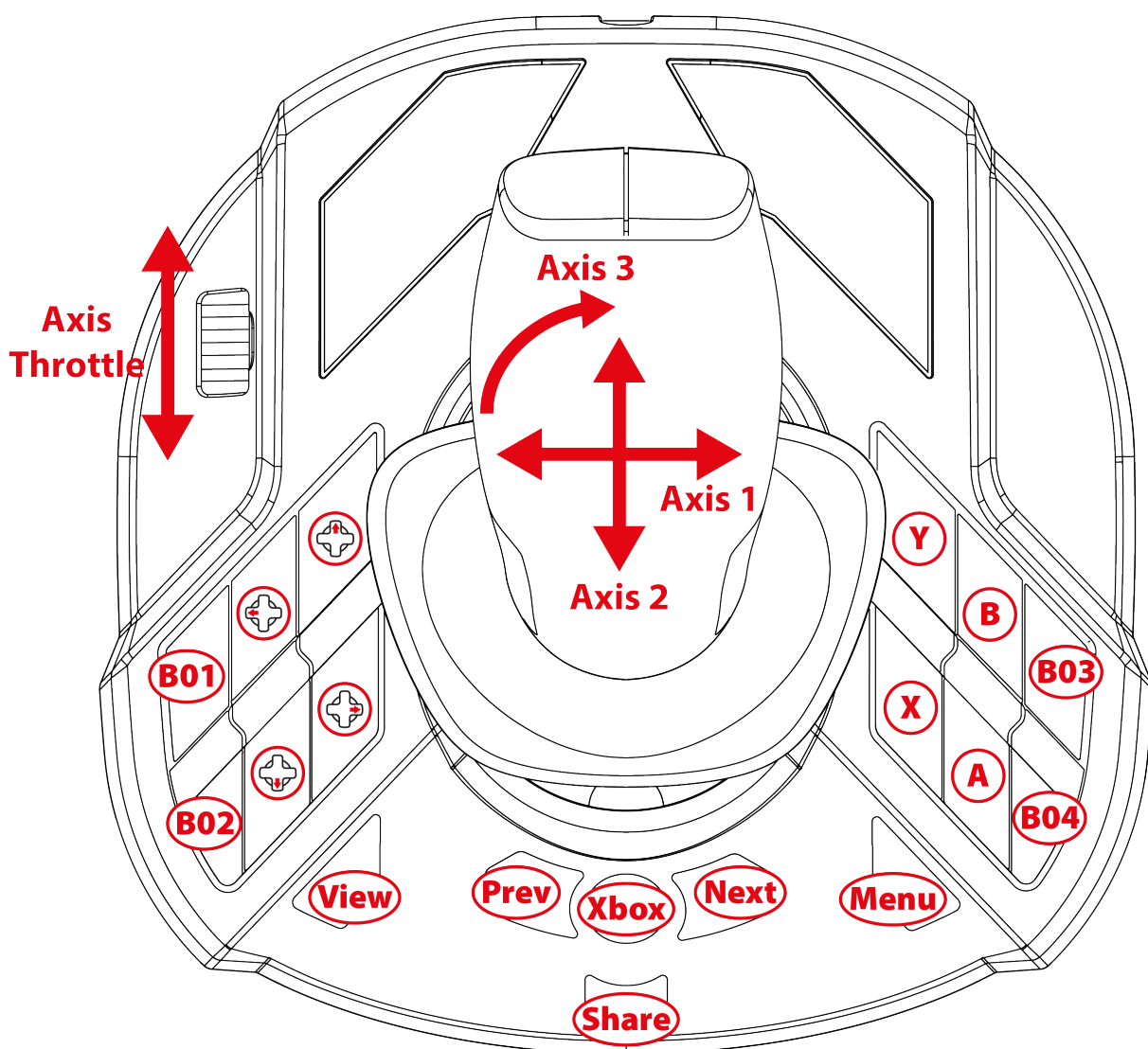


При подключении джойстика всегда держите рукоятку в центральном положении, не наклоняйте и не вращайте ее, чтобы избежать проблем с калибровкой.

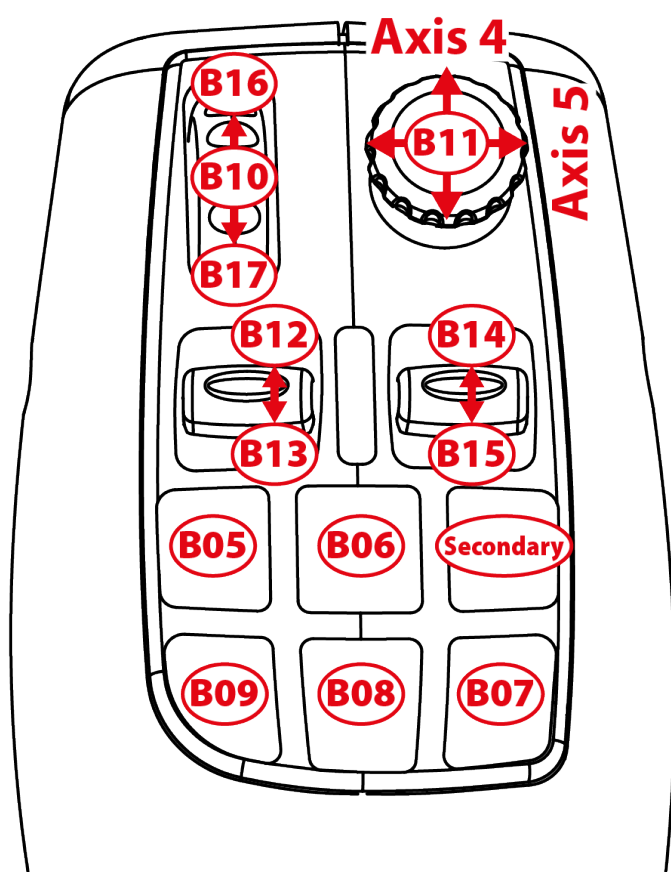
*\*в комплект не входит*



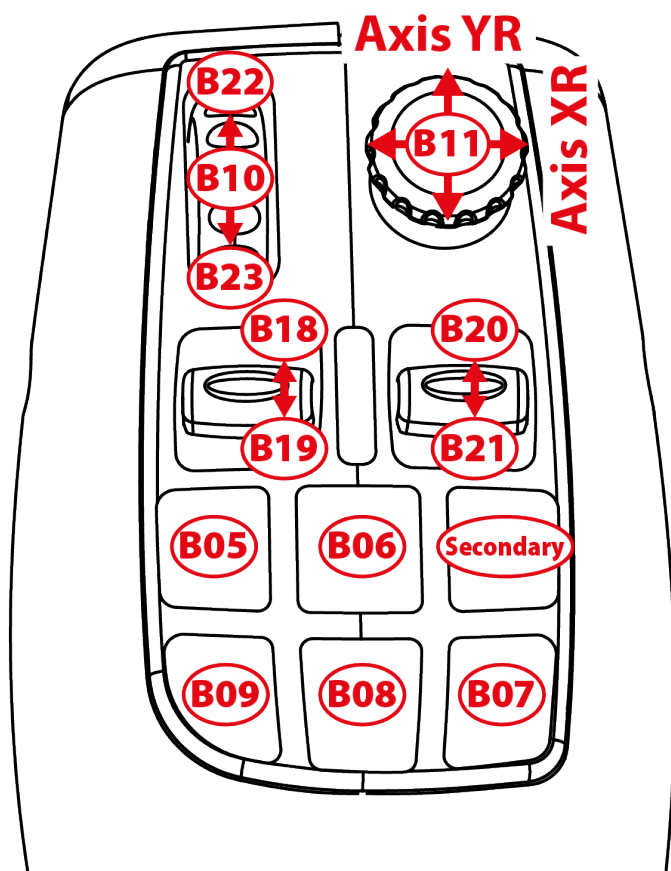
## 6. Назначение кнопок для консолей Xbox



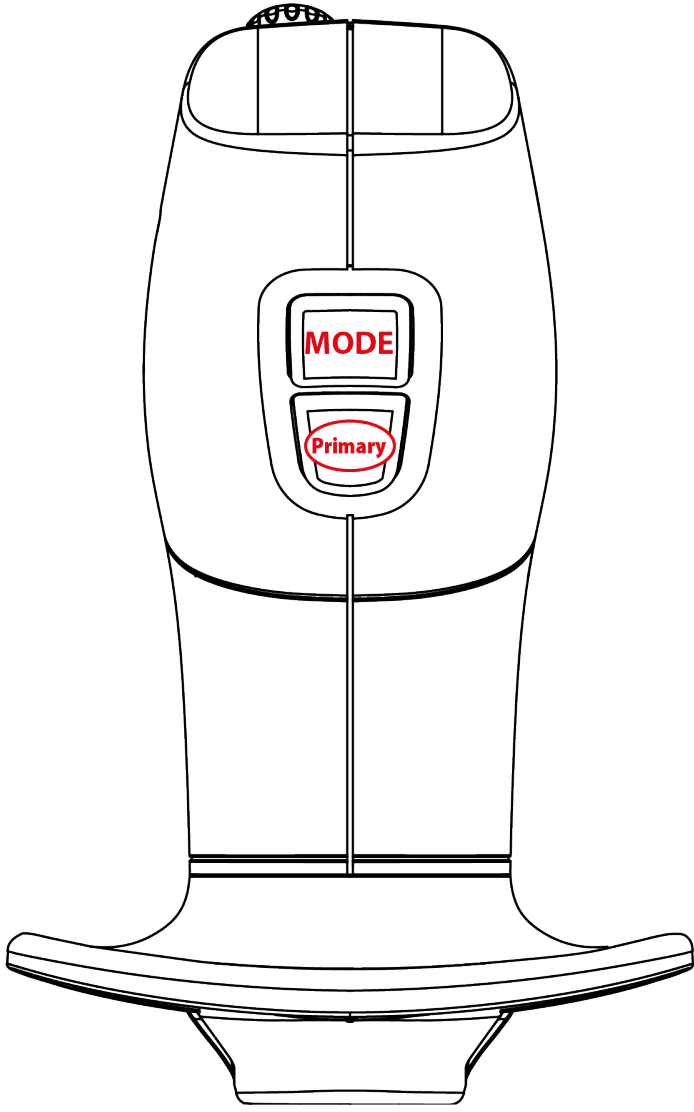
Назначение кнопок выполняется таким же образом независимо от режима для правой или левой руки. Режим игры правой рукой (установлен по умолчанию) или левой рукой можно выбрать, выполнив **эту** процедуру. При одновременном использовании двух джойстиков этот режим поможет их различать.



Режим движения



Режим работы







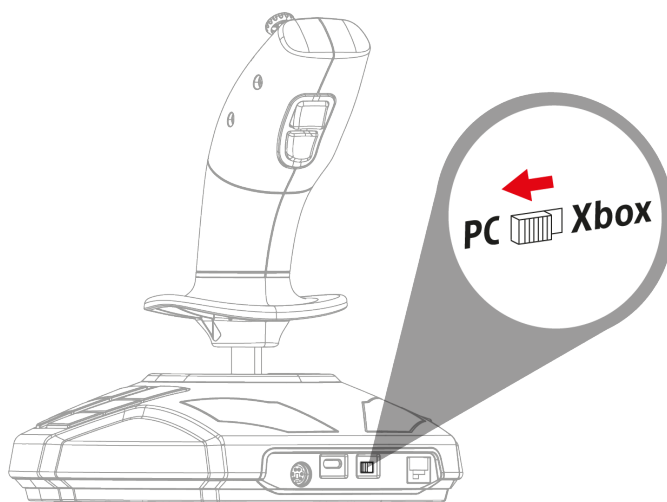
## 7. Настройка на ПК

1. Перейдите на веб-сайт

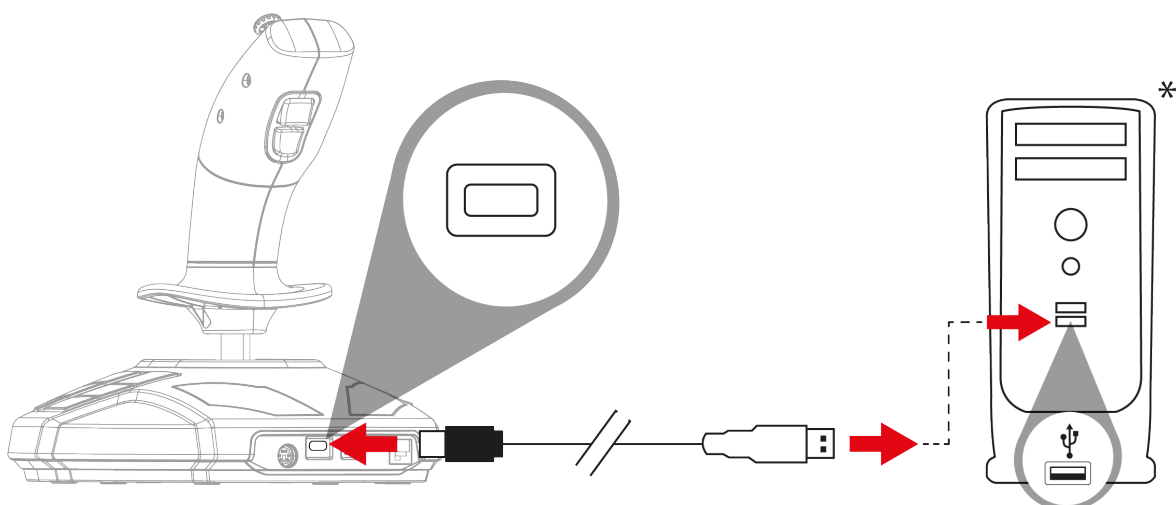
<https://support.thrustmaster.com/product/simtask-farmstick-x/>.

2. Скачайте и установите драйвер для ПК, добавляющий специальный интерфейс в панель управления Windows.

3. После установки драйвера для ПК установите переключатель **19** на задней панели джойстика в положение PC.



4. Подключите кабель USB-C – USB-A к порту USB-C **18** на джойстике к порту USB-A на ПК\*.



\*в комплект не входит



5. Выберите **Пуск /Параметры/Панель управления** и дважды щелкните **Игровые устройства**. В окне **Игровые устройства** отобразится имя джойстика со статусом **ОК**.
6. В окне **Панель управления** щелкните **Свойства**, чтобы протестировать и просмотреть все функции. Вы также можете выбрать режим игры правой рукой (установлен по умолчанию) или левой рукой.

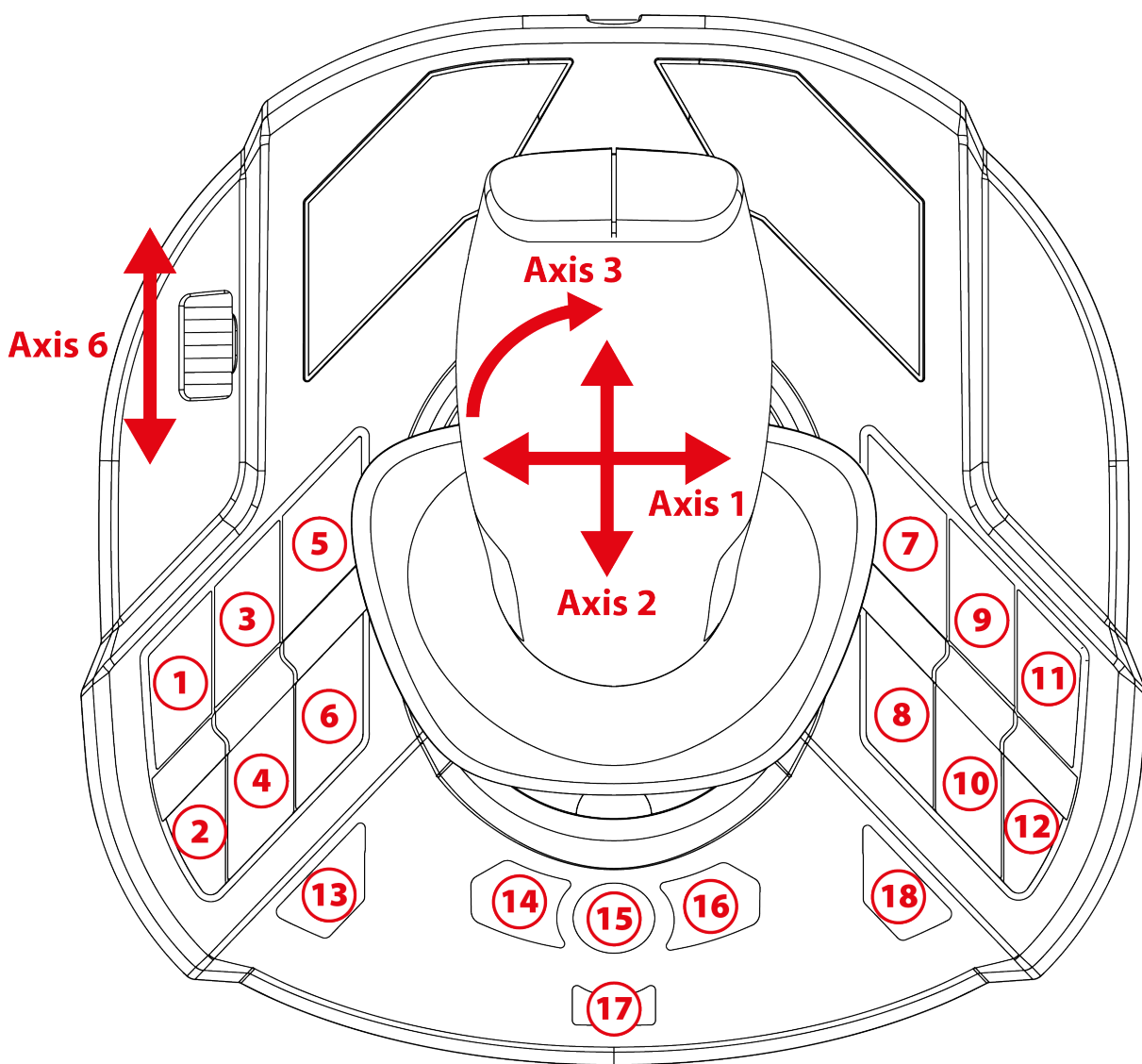
Теперь вы готовы к игре!



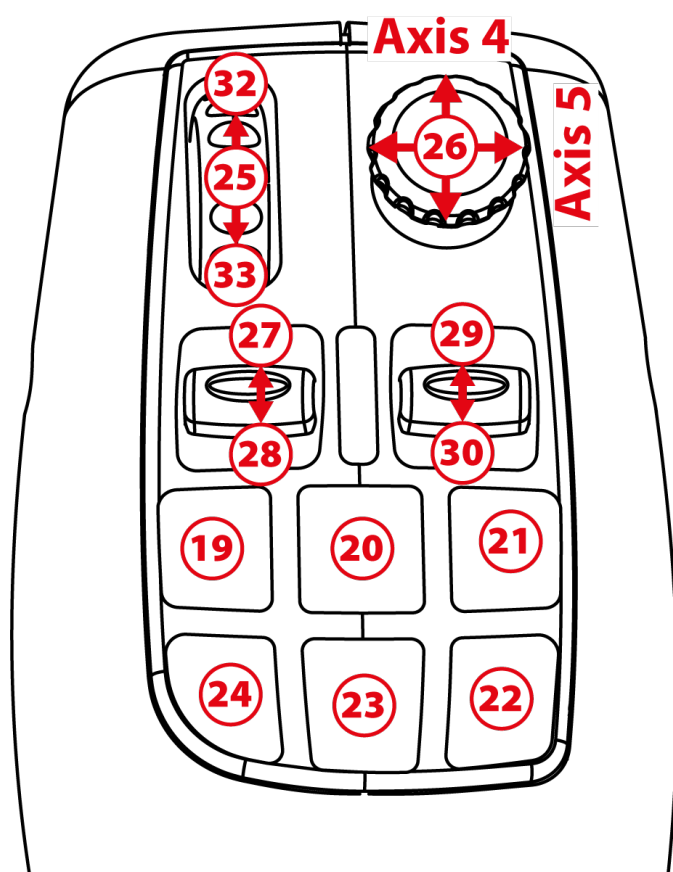
При подключении джойстика всегда держите рукоятку в центральном положении, не наклоняйте и не вращайте ее, чтобы избежать проблем с калибровкой.



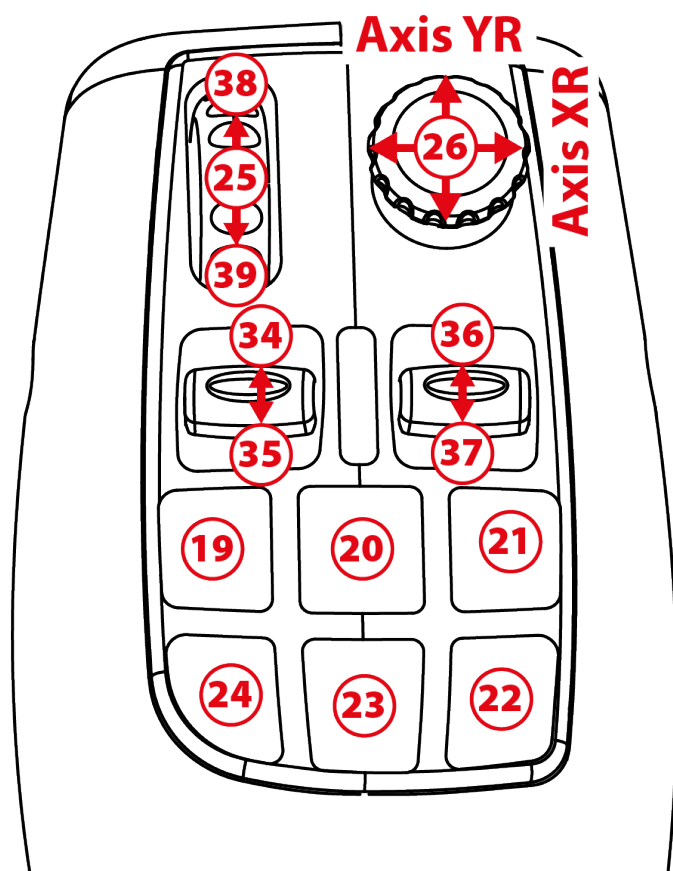
## 8. Назначение кнопок для ПК



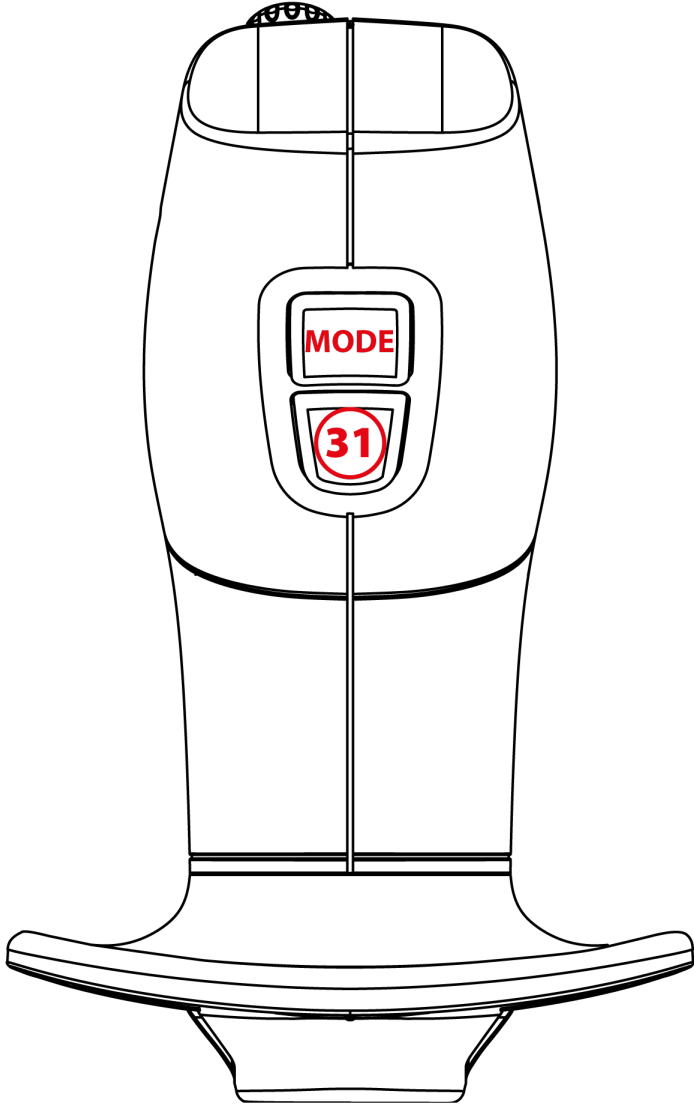
Назначение кнопок выполняется таким же образом независимо от режима для правой или левой руки. Режим игры правой рукой (установлен по умолчанию) или левой рукой можно выбрать, выполнив **эту** процедуру или перейдя на **панель управления**. При одновременном использовании двух джойстиков этот режим поможет их различать.



**Режим движения**



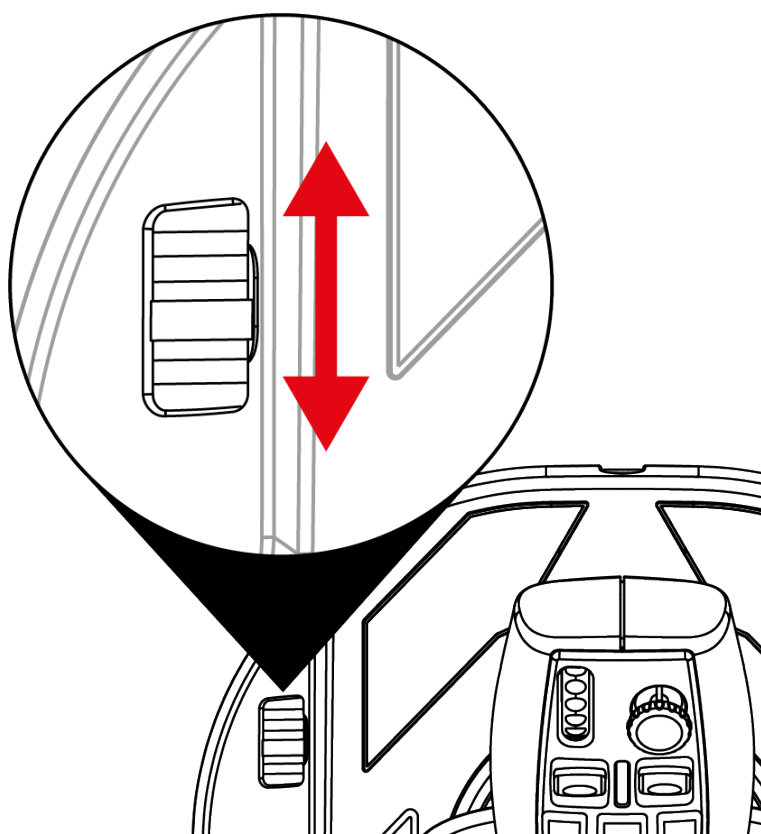
**Режим работы**





## 9. Рычаг управления

Джойстик оснащен рычагом управления **8**, что позволяет легко контролировать скорость двигателя.

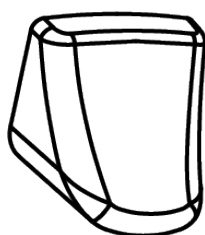




## 10. Переставляемый триггер

Джойстик оснащен переставляемым функциональным триггером 16, обеспечивающим дополнительное удобство во время игры.

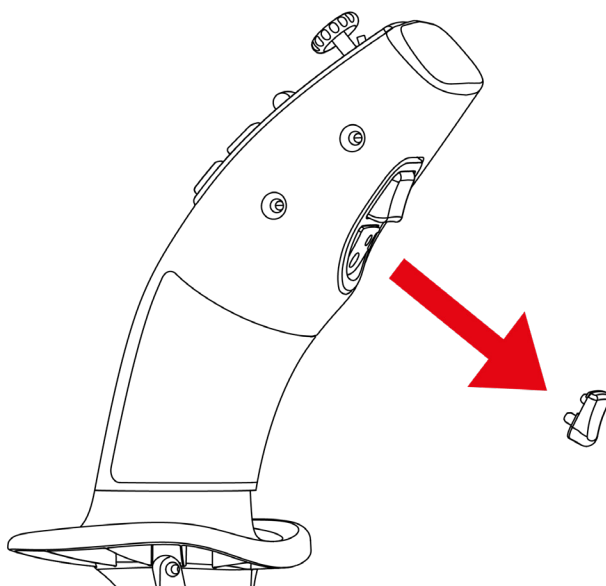
Триггер, установленный по умолчанию, можно заменить на триггер, который подходит для авиасимуляторов (входит в комплект джойстика SimTask FarmStick).



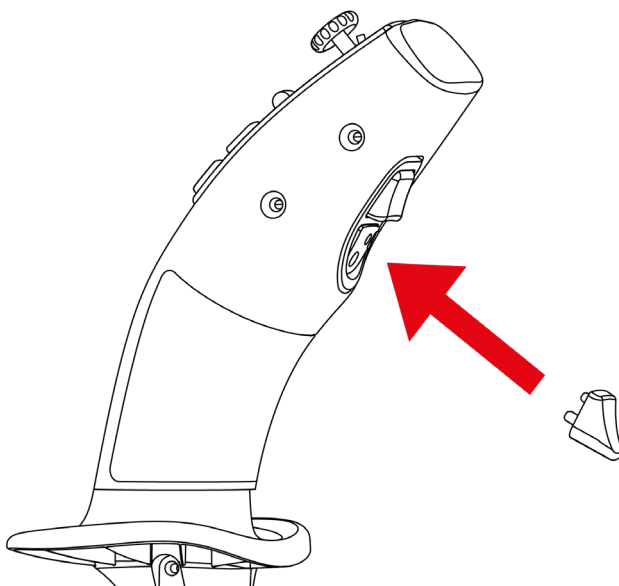


Чтобы переставить триггер:

1. Поместите пальцы на любую сторону триггера и аккуратно вытяните его.



2. Вставьте новый триггер в необходимом положении установки.



Установочные штыри должны входить в свои гнезда на джойстике. Не применяйте силу при установке триггера, так как это может привести к поломке штырей.

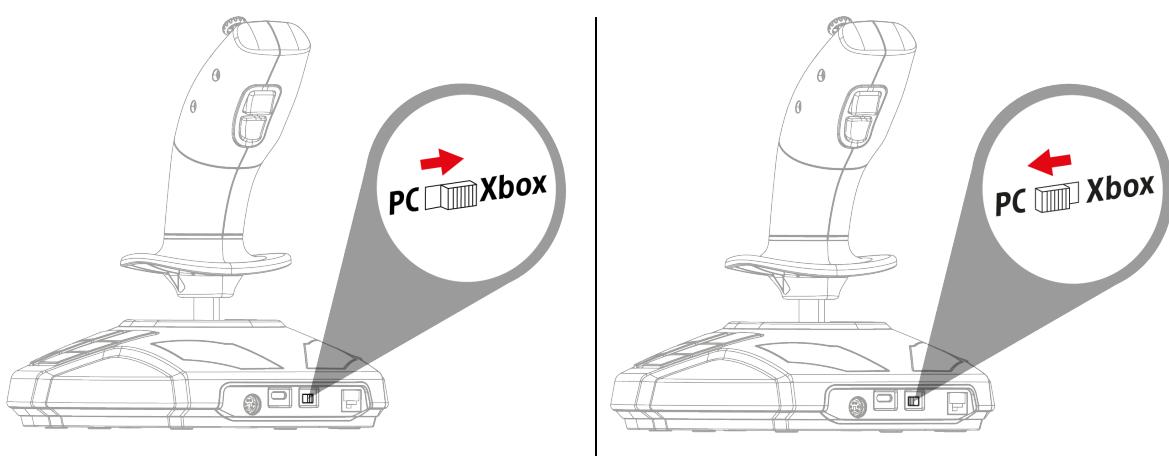




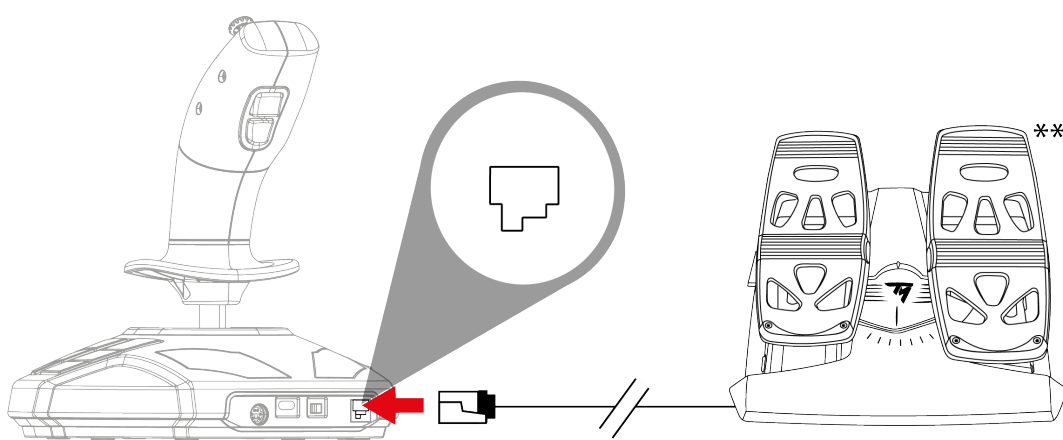
# 11. Настройка на консолях Xbox Series X|S\* или ПК\* с рулем управления TFRP\*\*

Руль управления TFRP\*\* подключается к порту на джойстике SimTask FarmStick.

1. Установите переключатель 19 на задней панели джойстика в положение Xbox или PC.



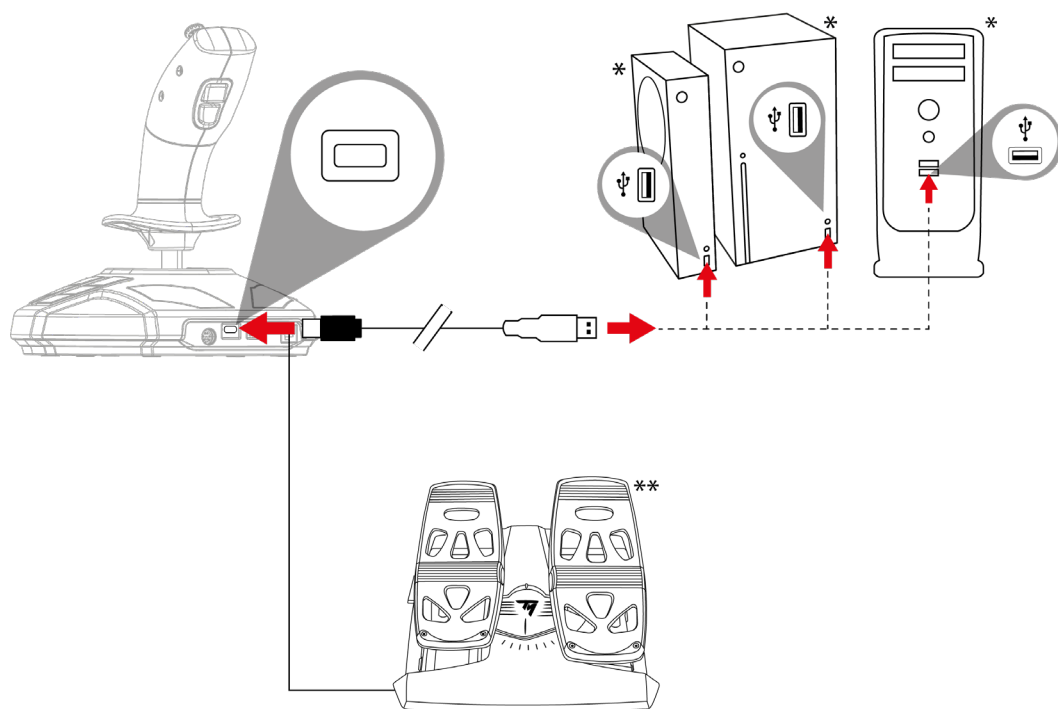
2. Подключите кабель RJ12 руля управления TFRP\*\* к порту RJ12 20 на задней панели джойстика.



\*в комплект не входит / \*\*продается отдельно



3. Подключите кабель USB-C – USB-A к порту USB-C 18 на джойстике и к порту USB-A на консоли\* или ПК\*.



- При подключении джойстика всегда держите рукоятку в центральном положении, не наклоняйте и не вращайте ее, чтобы избежать проблем с калибровкой.
- При подключении руля управления к джойстику всегда удерживайте ось руля в центральном положении и не помещайте ноги на педали рулевого управления, чтобы избежать проблем с калибровкой.

*\*в комплект не входит / \*\*продается отдельно*



## 12. Часто задаваемые вопросы и техническая поддержка

*Джойстик не работает должным образом или, возможно, неправильно откалиброван.*

- Выключите питание консоли или компьютера и отключите джойстик, после чего снова включите консоль или компьютер, подключите к нему джойстик и перезапустите игру.
- При подключении джойстика всегда держите рукоятку в центральном положении, не наклоняйте и не вращайте ее, чтобы избежать проблем с калибровкой.
- При подключении руля управления к джойстику всегда удерживайте ось руля в центральном положении и не помещайте ноги на педали рулевого управления, чтобы избежать проблем с калибровкой.



## *Я не могу настроить свой джойстик.*

- Перейдите в меню **Параметры/Контроллер/Геймпад** или **Джойстик**: выберите подходящую конфигурацию или заново настройте параметры контролера.
- Дополнительную информацию можно посмотреть в руководстве к игре или в онлайн-справке.



## **Джойстик слишком или недостаточно чувствителен.**

- Джойстик калибруется самостоятельно после его перемещения вдоль разных осей.
- Перейдите в меню **Параметры/Контроллер/Геймпад** или **Джойстик**: настройте чувствительность и мертвые зоны для джойстика (если эти параметры доступны).

У вас есть вопросы относительно джойстика SimTask FarmStick или возникли технические проблемы? Посетите веб-сайт технической поддержки Thrustmaster:

<https://support.thrustmaster.com/product/simtask-farmstick-x/>.



# **THRUSTMASTER®**



# **SIMTASK FARMSTICK**

**XBOX SERIES X|S – PC**

## **Uživatelský manuál**



**Před** instalací výrobku, **před** jakýmkoli použitím výrobku a **před** jakoukoli údržbou si **pečlivě přečtete** pokyny uvedené v této příručce. Nezapomeňte dodržovat bezpečnostní pokyny. Nedodržení těchto pokynů může mít za následek nehody a/nebo poškození. Tento návod si uschovejte, abyste se k němu mohli v budoucnu vrátit.

# OBSAH

1.	OBSAH BALENÍ .....	5
2.	VLASTNOSTI.....	6
3.	INFORMACE O POUŽÍVÁNÍ .....	9
4.	SEZNÁMENÍ S JOYSTICKEM .....	12
	<i>Klíčové body .....</i>	<i>12</i>
	<i>Přesná technologie H.E.A.R.T. (HallEffect AccuRate Technology) .....</i>	<i>13</i>
	<i>Režim Jízdy &lt;&gt; Režim Práce .....</i>	<i>14</i>
	<i>Otočná rukojeť.....</i>	<i>17</i>
	<i>“Point-of-view” mini-stick .....</i>	<i>18</i>
	<i>Připojení SimTask FarmStick na Xbox Series X S* a PC* .....</i>	<i>19</i>
	<i>Konfigurace joysticku pro praváky a leváky.....</i>	<i>21</i>

<b>5.</b>	<b>INSTALACE NA XBOX SERIES X S .....</b>	<b>24</b>
<b>6.</b>	<b>XBOX MAPOVÁNÍ.....</b>	<b>26</b>
<b>7.</b>	<b>INSTALACE NA PC.....</b>	<b>29</b>
<b>8.</b>	<b>MAPOVÁNÍ NA PC.....</b>	<b>31</b>
<b>9.</b>	<b>PLYN .....</b>	<b>34</b>
<b>10.</b>	<b>VYMĚNITELNÁ SPOUŠŤ.....</b>	<b>35</b>
<b>11.</b>	<b>INSTALACE NA XBOX SERIES X S* NEBO PC* S KORMIDLEM TFRP** .....</b>	<b>37</b>
<b>12.</b>	<b>ČASTO KLADENÉ DOTAZY A TECHNICKÁ PODPORA .....</b>	<b>39</b>



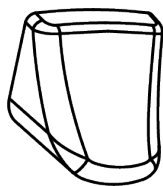
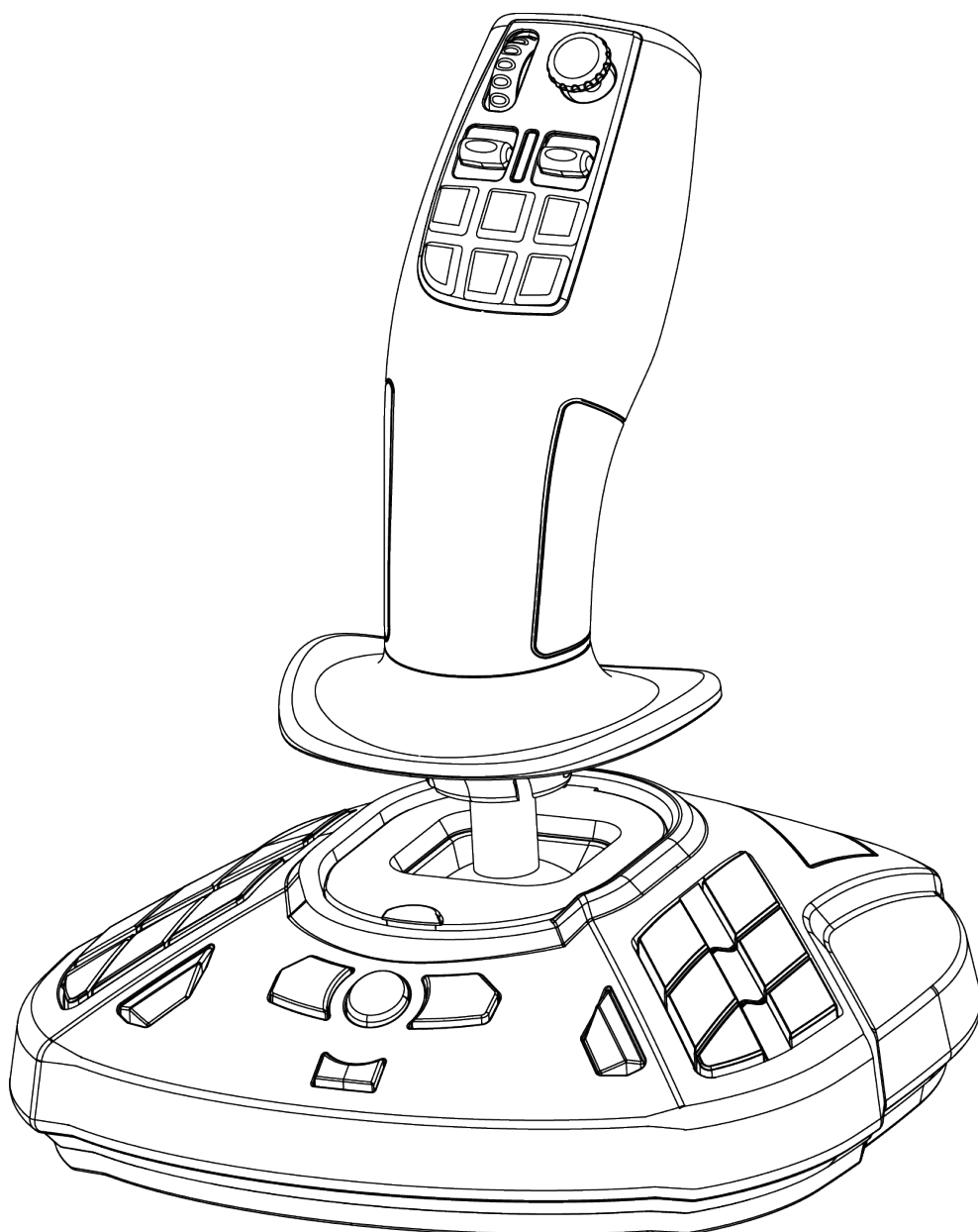


Se SimTask FarmStick od společnosti Thrustmaster získáte zařízení, které je dokonale přizpůsobeno ovládání vašich zemědělských a stavebních strojů. SimTask FarmStick můžete použít také jako joystick pro letovou simulaci.

Tato příručka vám pomůže nainstalovat a používat SimTask FarmStick za nejlepších podmínek. Než odstartujete, nezapomeňte si pozorně přečíst všechny tyto pokyny a upozornění: pomohou vám získat z vašeho výrobku co nejvíce radosti.

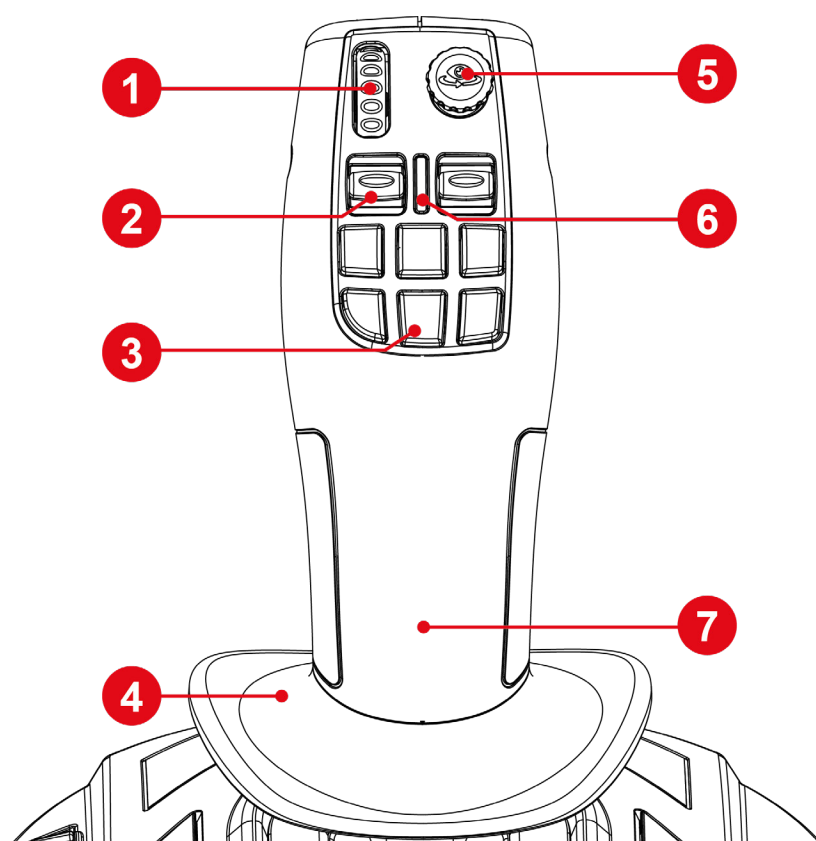


# 1. Obsah balení

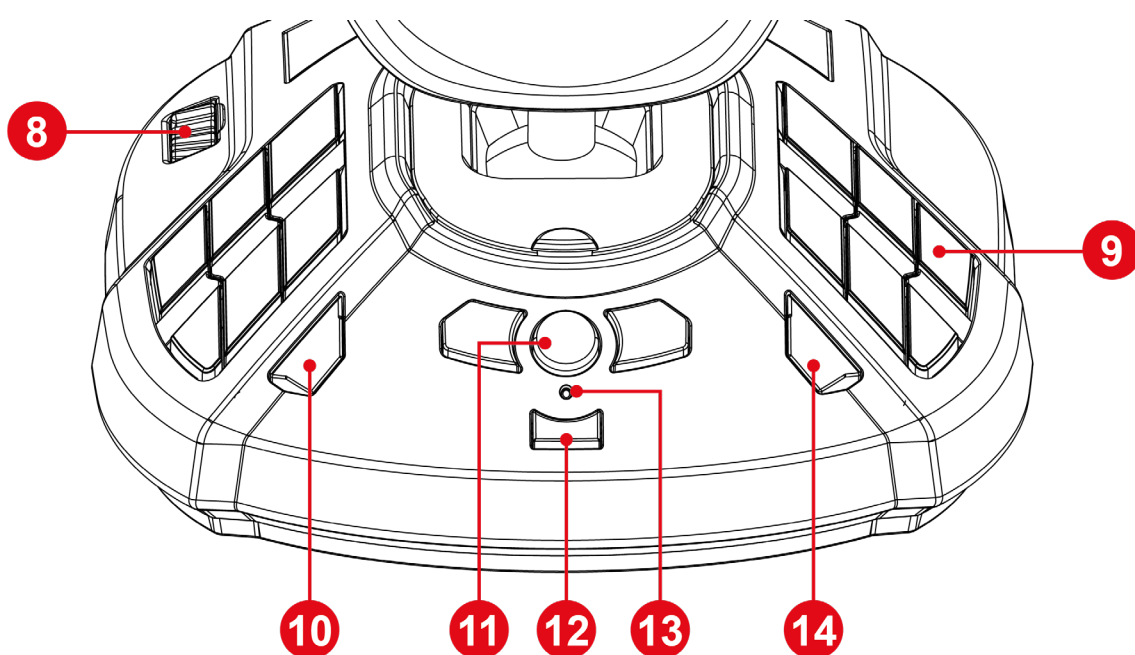




## 2. Vlastnosti



1. Kolečko pro palec
2. Kolébkový spínač
3. Tlačítka rychlé akce
4. Opěrka pro ruku
5. "Point-of-view" mini-stick
6. LED indikátor režimu páky
7. Oboustranná rukojeť



8. Plyn

9. Programovatelná akční tlačítka

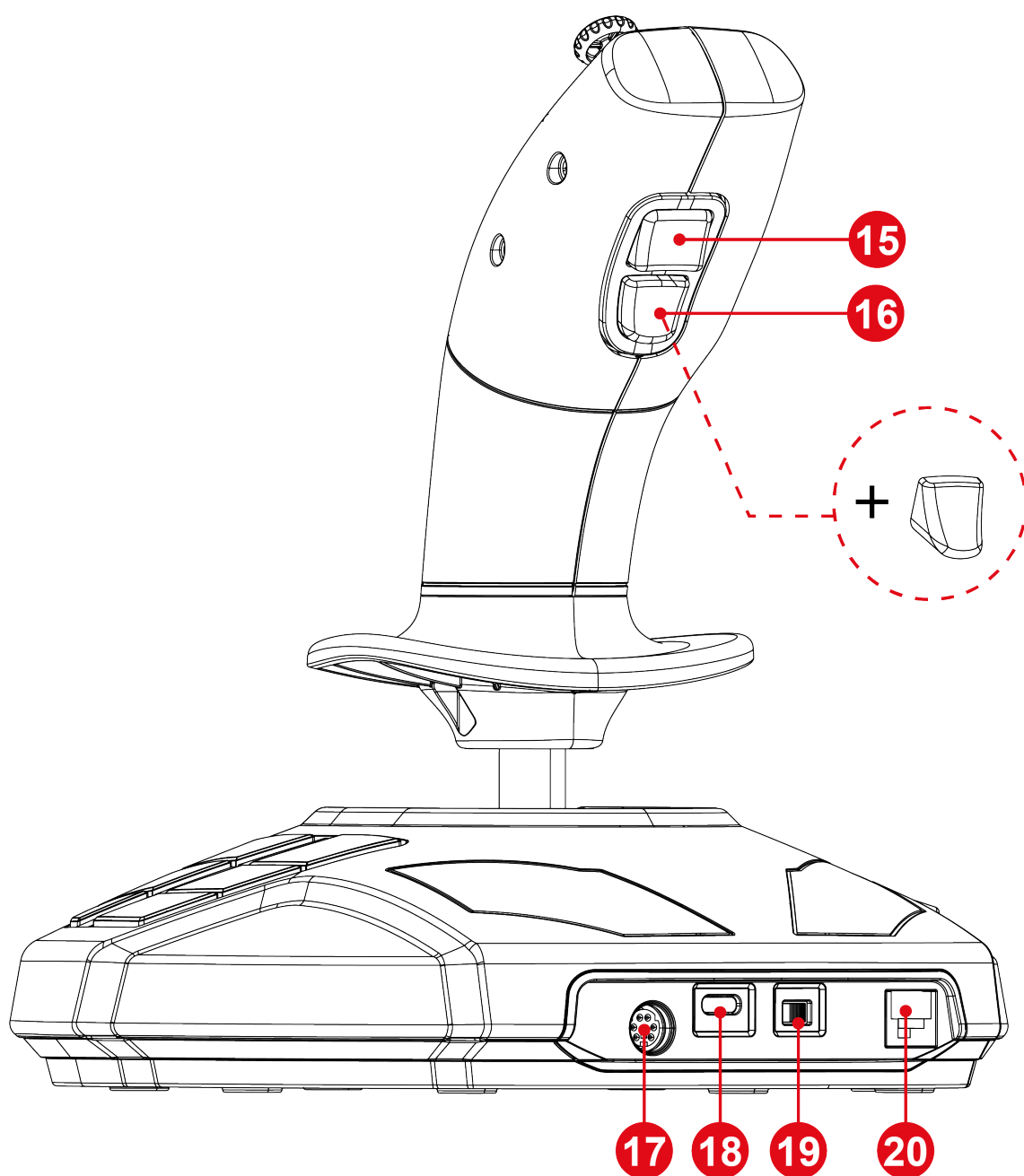
10. Tlačítko View (Zobrazení)

11. Tlačítko Xbox

12. Tlačítko Share (Sdílení)

13. Kontrolka

14. Tlačítko Menu



15. Tlačítko pro změnu režimu páky

16. Vyměnitelná akční spoušť

17. Port DIN pro další příslušenství\*

18. Port USB-C

19. Výběr Xbox / PC

20. Port RJ12 pro kormidlo TFRP\*

*\*prodává se samostatně*



### 3. Informace o používání



#### **Dokumentace**

Před použitím tohoto výrobku si znovu pečlivě přečtěte tuto dokumentaci a uschovejte si ji pro budoucí použití.



## **Úraz elektrickým proudem**

- Výrobek uchovávejte na suchém místě a nevystavujte jej prachu ani slunečnímu záření.
- Dodržujte pokyny pro připojení.
- Nekruťte konektory a kabely ani za ně netahejte.
- Na výrobek ani jeho konektory nelijte žádné tekutiny.
- Výrobek nezkratujte.
- Výrobek nikdy nerozebírejte, nevhazujte do ohně a nevystavujte vysokým teplotám.
- Příklad neotevírejte: uvnitř nejsou žádné díly, které by mohl uživatel opravovat. Veškeré opravy musí provádět výrobce, určená agentura nebo kvalifikovaný technik.



### **Zabezpečení herního prostoru**

- Do herního prostoru neumisťujte žádné předměty, které by mohly narušit činnost uživatele nebo které by mohly vyvolat nevhodný pohyb či vyrušení jinou osobou (například šálek kávy, telefon, klíče).
- Nezakrývejte napájecí kabely kobercem nebo rohožkou, dekou nebo přehozem či jiným předmětem a neumisťujte kabely do míst, kde se budou pohybovat lidé.





## 4. Seznámení s joystickem

### *Klíčové body*

- 33 tlačítek a 6 virtuálních os, včetně kolečka pro palec a dvou kolébkových přepínačů
- 6 os, včetně mini-sticku, otáčení rukojeti joysticku a plynu
- LED indikátor režimu páky
- Technologie H.E.A.R.T. (HallEffect AccuRate Technology)
- Připojení k portu USB-A
- Plyn (škrticí klapka)
- Port RJ12 pro kormidlo TFRP\*

*\*prodává se samostatně*



## ***Přesná technologie H.E.A.R.T. (HallEffect AccuRate Technology)***

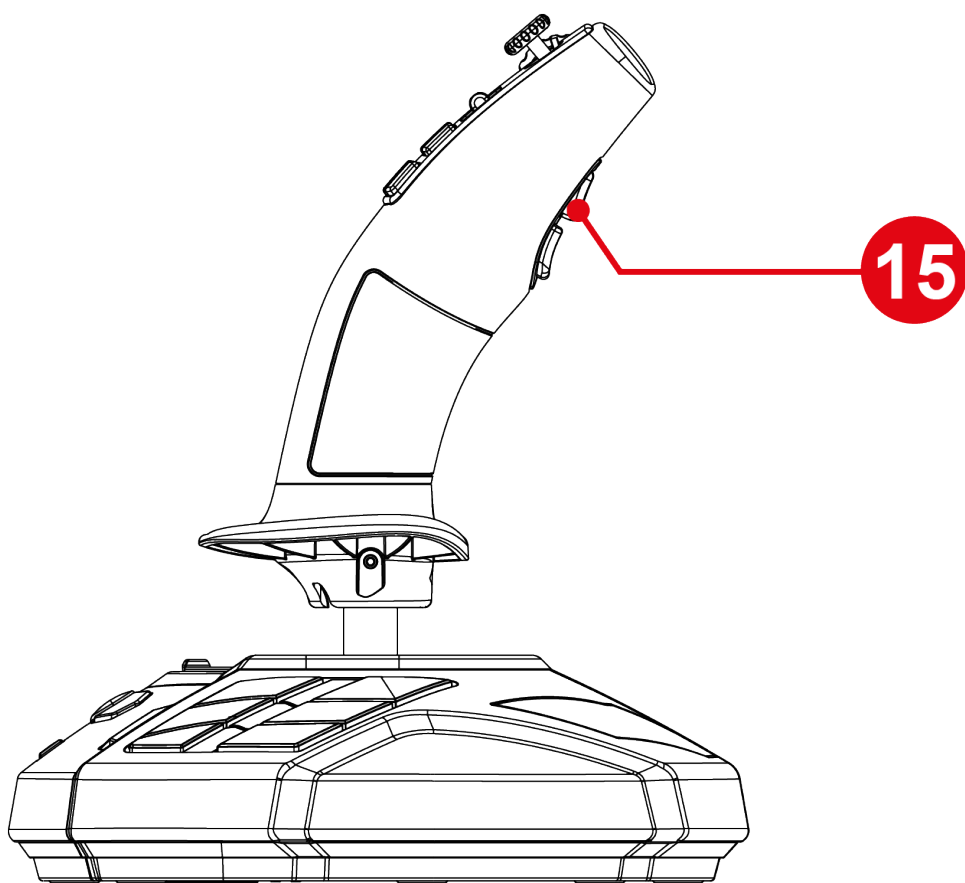
Váš SimTask FarmStick je vybaven technologií, která mu poskytuje takovou úroveň přesnosti, jaká v současnosti nemá ve světě herních joysticků obdoby, zahrnuje:

- 3D (Hall efekt) magnetické senzory na joysticku s rozlišením více než 268 milionů hodnot v osách X a Y (16 384 x 16 384 hodnot)
- Magnet: žádné tření, neomezená přesnost a neuvěřitelná odezva, která vydrží.
- Cívková pružina na joysticku (2,8 mm): pro pevné, lineární a velmi plynulé napětí.



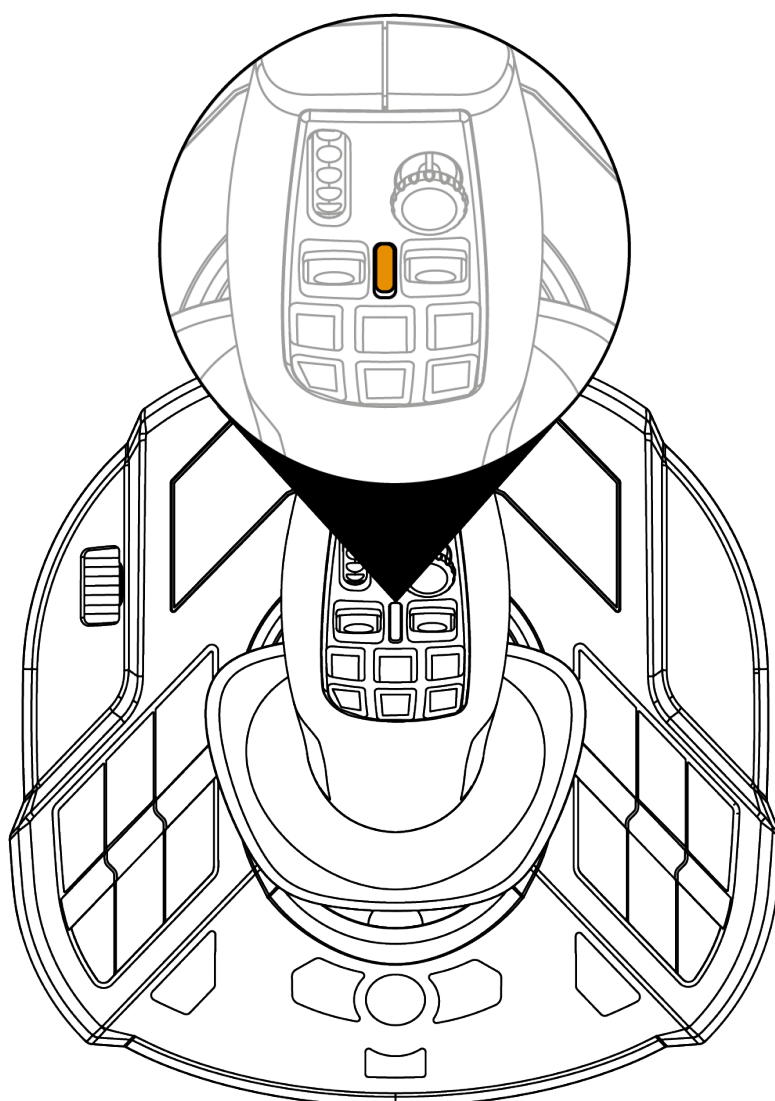
## Režim Jízdy <=> Režim Práce

Tlačítko 15 umožňuje přepnout z režimu **Jízdy** do režimu **Práce** a naopak.



Tato funkce rozšiřuje škálu úkonů, které lze provádět palcem, tj. pomocí kolečka pro palec 1 a dvou kolébkových přepínačů 2.

Změna režimu mění akci spojenou s kolečkem pro palec 1 a dvěma kolébkovými přepínači 2.



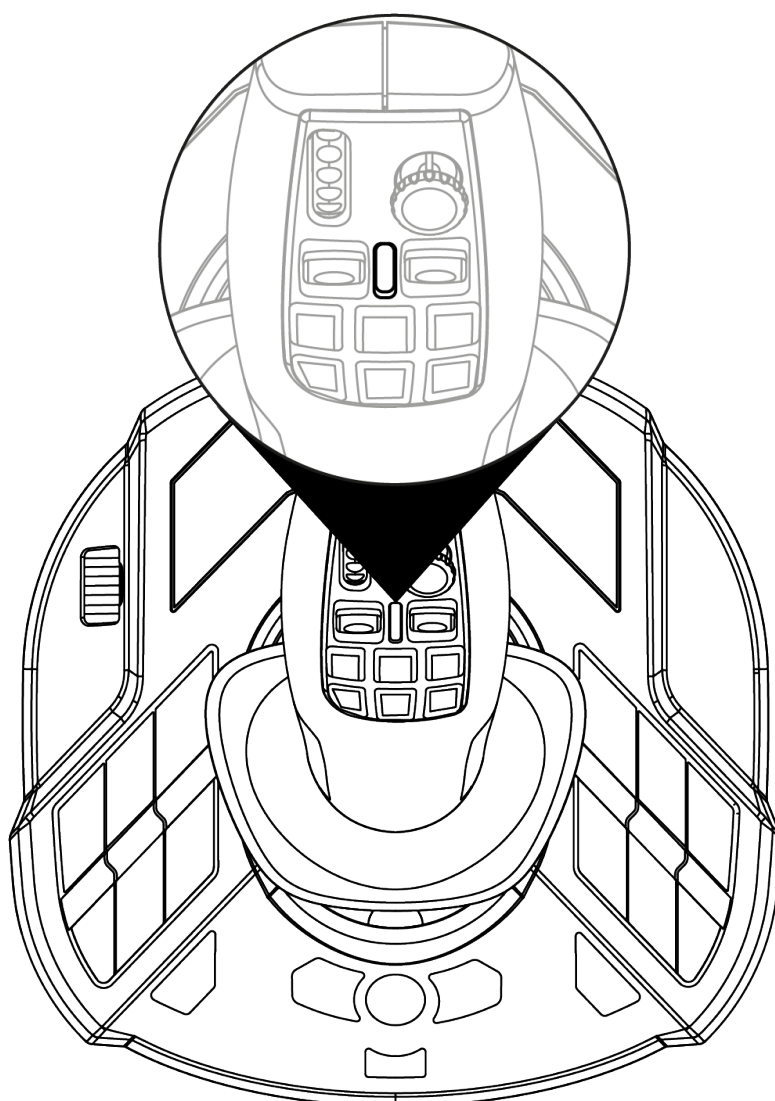
## Režim Jízdy (výchozí nastavení)

V režimu **Jízdy** se LED indikátor režimu páky **6** rozsvítí oranžově.



V režimu **Jízdy** může být činnost spojená s kolečkem pro palec **1** a kolébkovými spínači **2** následující:

- Kolečko pro palec: ovládání nastavené hodnoty regulátoru.
- Kolébkové spínače: ovládání převodovky.



## Režim Práce

V režimu **Práce** se LED indikátor režimu páky ⑥ rozsvítí bíle.



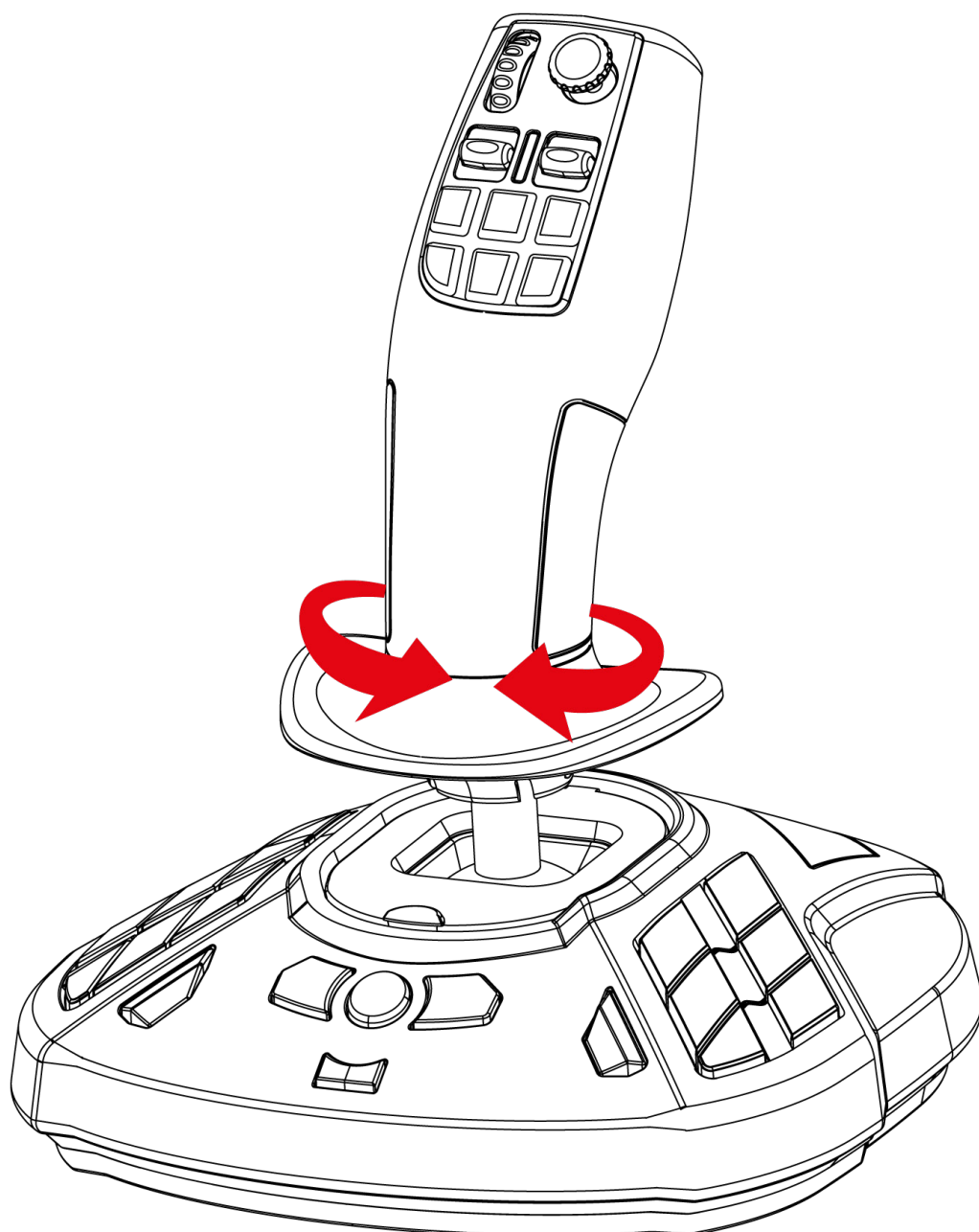
V režimu **Práce** může být činnost spojená s kolečkem pro palec ① a kolébkovými spínači ② následující:

- Kolečko pro palec: ovládání zoomu fotoaparátu.
- Kolébkové spínače: ovládání ramen jeřábu nebo nakladače.



## *Otočná rukojeť*

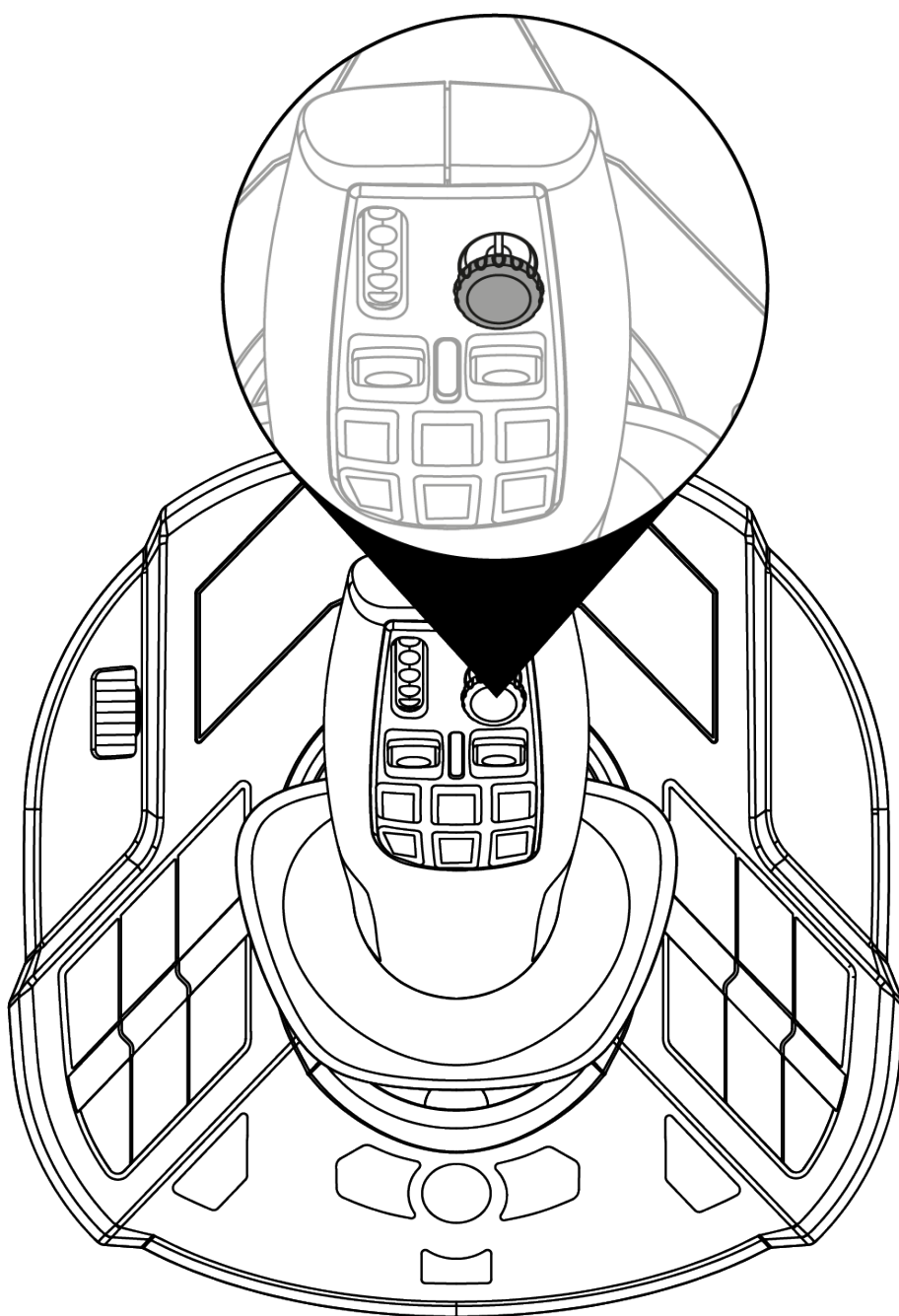
SimTask FarmStick je vybaven rukojetí, která se otáčí kolem vodorovné osy. To je užitečné například při manévrování s jeřábovou hlavou nebo bagrem.





## *“Point-of-view” mini-stick*

SimTask FarmStick je vybaven mini-stickem "Point-of-view" **5**, který umožňuje sledovat, co se nachází v zorném poli obsluhy stroje.





## ***Připojení SimTask FarmStick na Xbox Series X|S\* a PC\****

SimTask FarmStick je vybaven šesti osami, ale nabízí možnost připojení kormidla TFRP\*\* k zadní straně joysticku. Tím získáte další dvě osy a také ovládání kormidla pomocí TFRP.



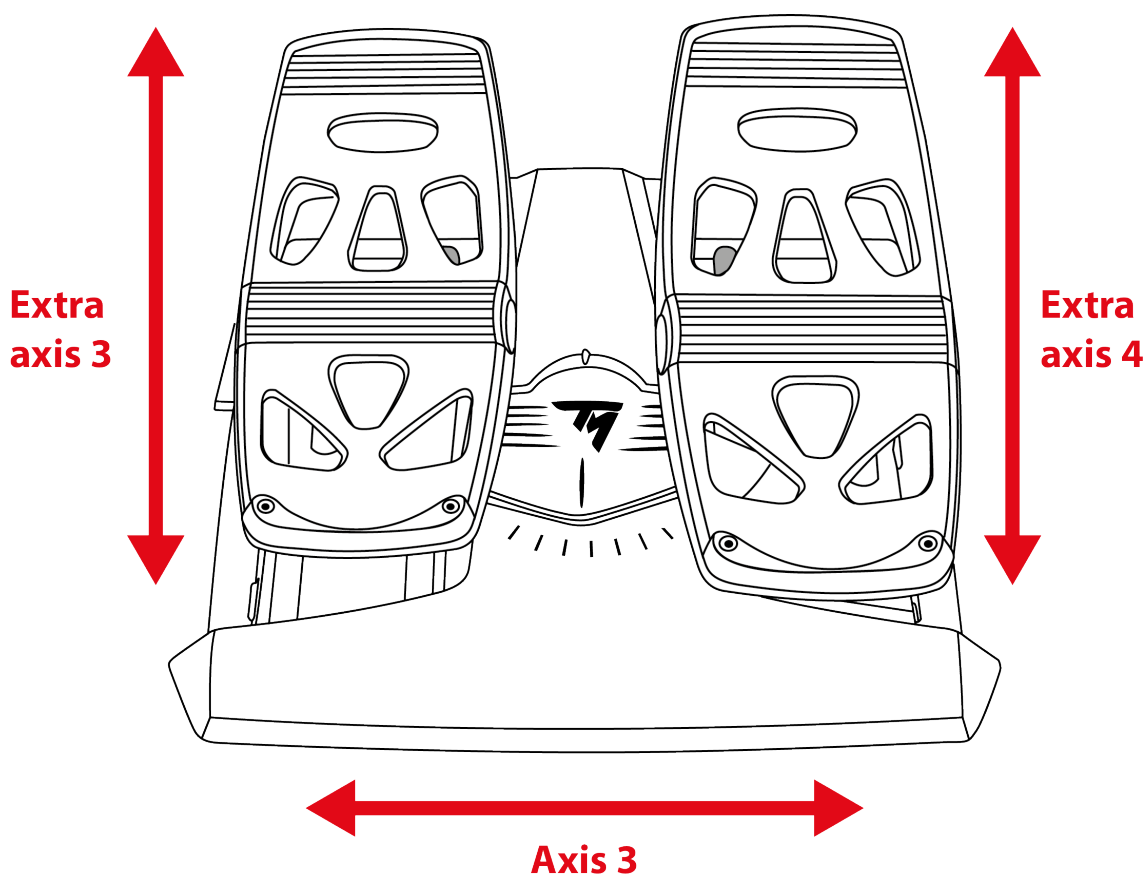
Kormidlo TFRP je jediným zařízením podporovaným na Xbox Series X|S a PC.

*\*není součástí / \*\*prodává se samostatně*

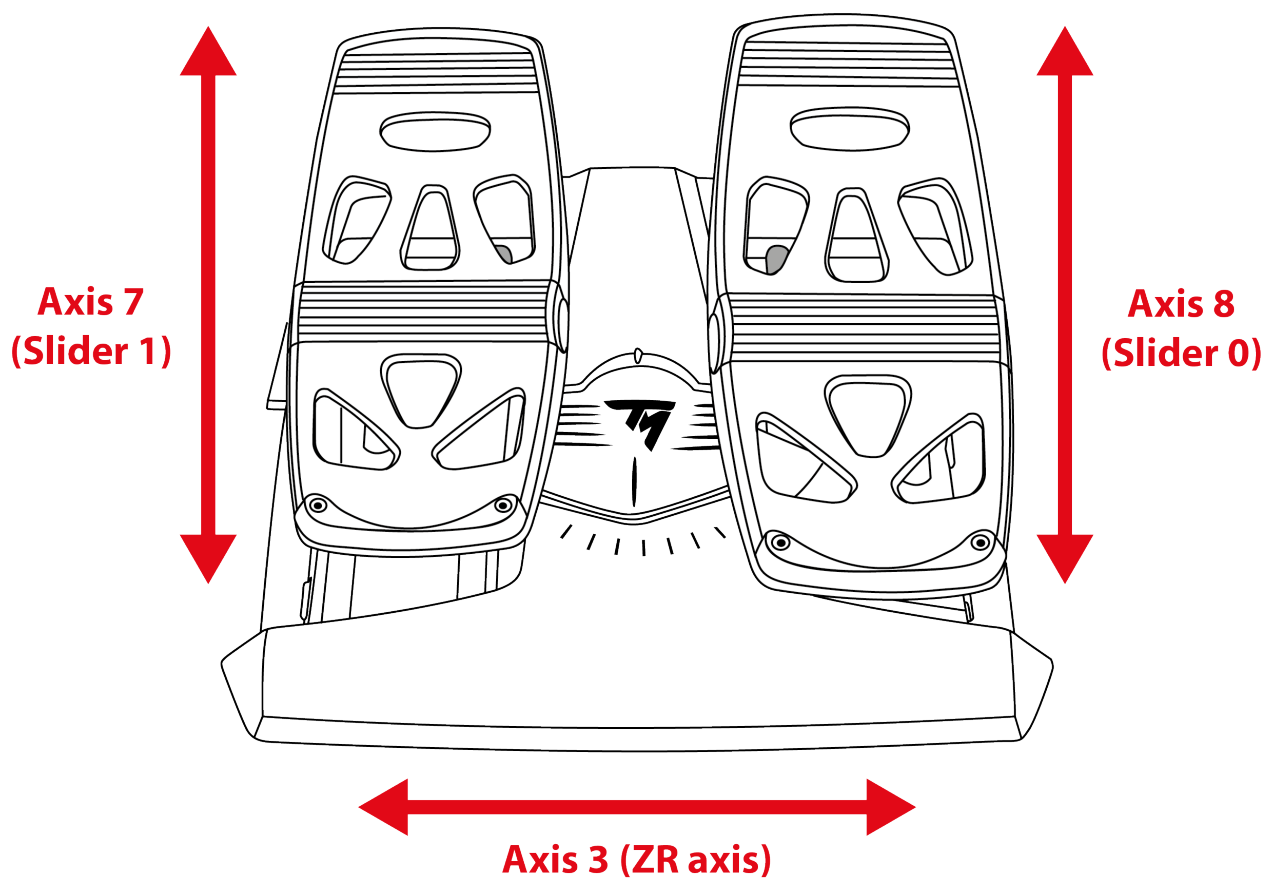




Mapování pro Xbox:



Mapování pro PC:





## *Konfigurace joysticku pro praváky a leváky*

SimTask FarmStick je obouruční, takže se bez problémů přizpůsobí všem hráčům, ať už jsou praváci, nebo leváci.

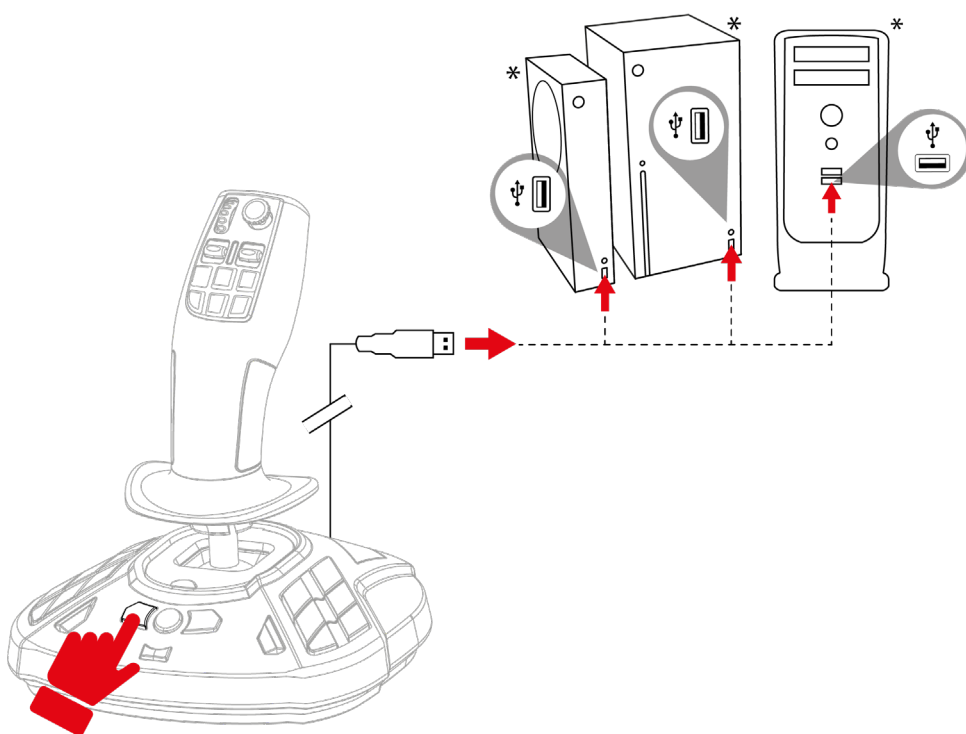
Ve výchozím nastavení je joystick nastaven na režim pro praváky.



Nastavení joysticku do režimu LEVÁ RUKA:

1. Při připojování SimTask FarmStick k vašemu Xbox Series X|S nebo PC stiskněte a podržte tlačítko 14 (na PC) nebo Prev (na Xbox Series X|S).

LED kontrolka páky ⑥ bude blikat bíle po dobu pěti vteřin.



2. Uvolněte tlačítko 14 (na PC) nebo Prev (na Xbox Series X|S).



Režim LEVÁ RUKA se automaticky uloží do vnitřní paměti SimTask FarmStick.

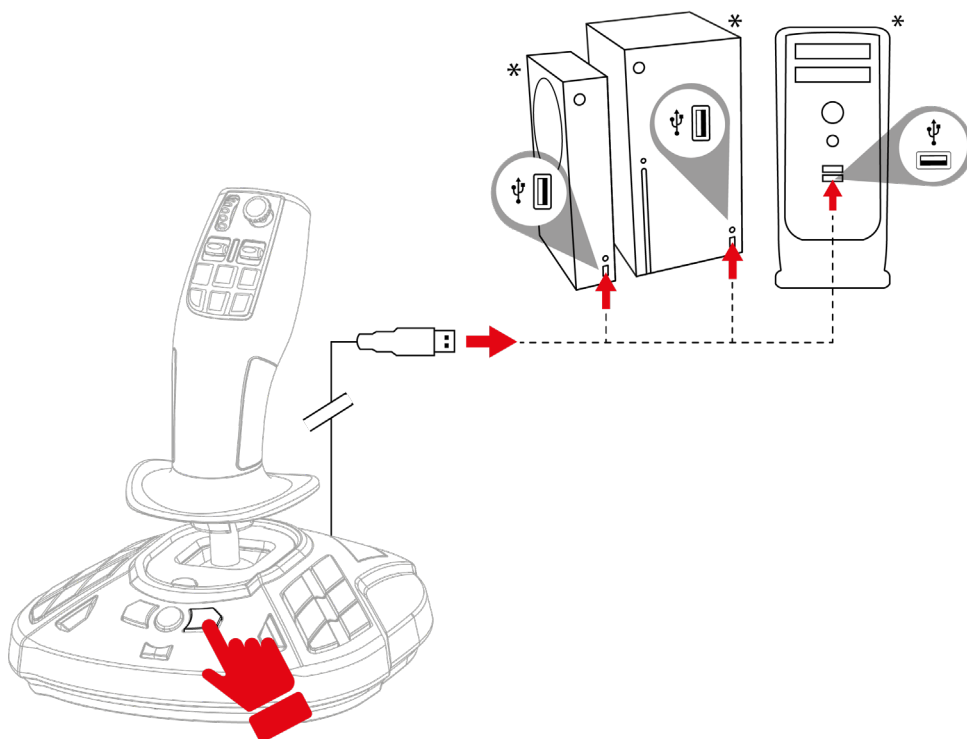
*\*není součástí*



## Obnovení režimu joysticku PRAVÁ RUKA:

1. Při připojování SimTask FarmStick k vašemu Xbox Series X|S nebo PC stiskněte a podržte tlačítko 16 (na PC) nebo Next (na Xbox Series X|S).

Kontrolka LED ⑥ páky bude pět vteřin oranžově blikat.



2. Uvolněte tlačítko 16 (na PC) nebo Next (na Xbox Series X|S).



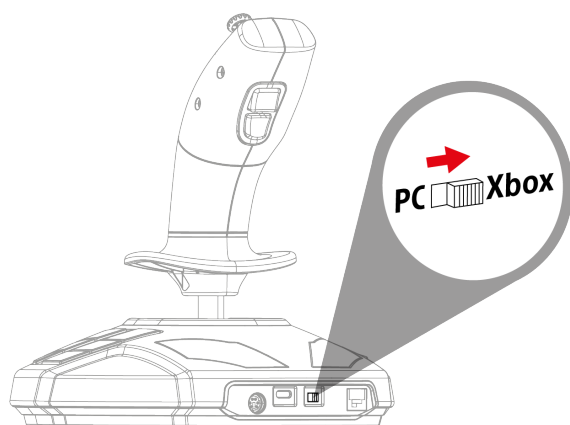
Režim PRAVÁ RUKA se automaticky uloží do vnitřní paměti SimTask FarmStick.

*\*není součástí*

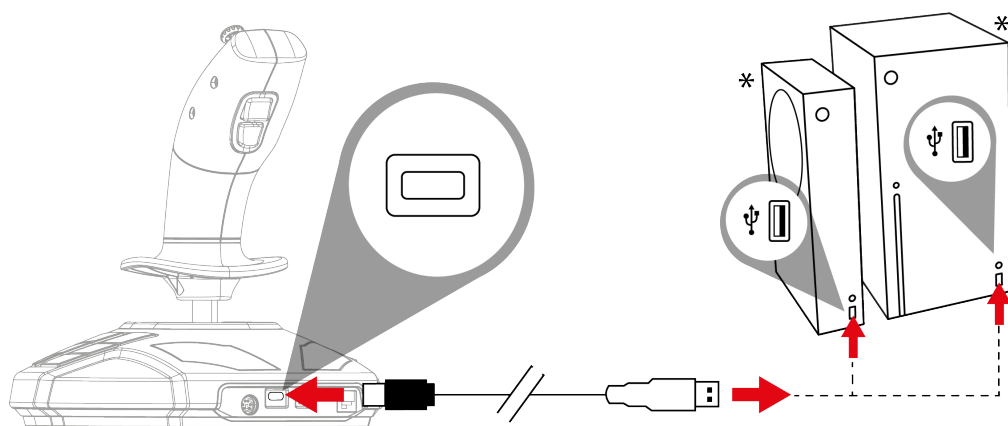


## 5. Instalace na Xbox Series X|S

1. Nastavte přepínač 19 na zadní straně joysticku do polohy Xbox.



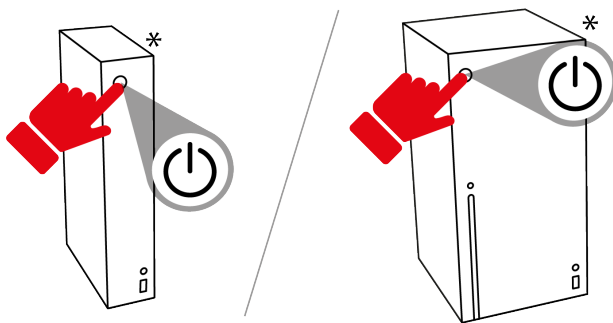
2. Zapojte kabel USB-C - USB-A do portu USB-C joysticku 18 a do jednoho z portů USB-A konzole.



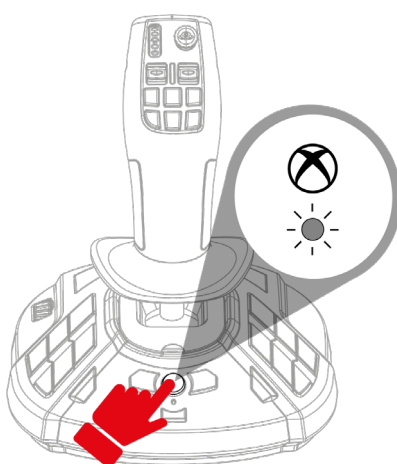
*\*není součástí*



3. Zapněte konzoli.



4. Stiskněte tlačítko Xbox. Kontrolka joysticku bude svítit bíle.



5. Spusťte kompatibilní hru.

Nyní jste připraveni hrát!

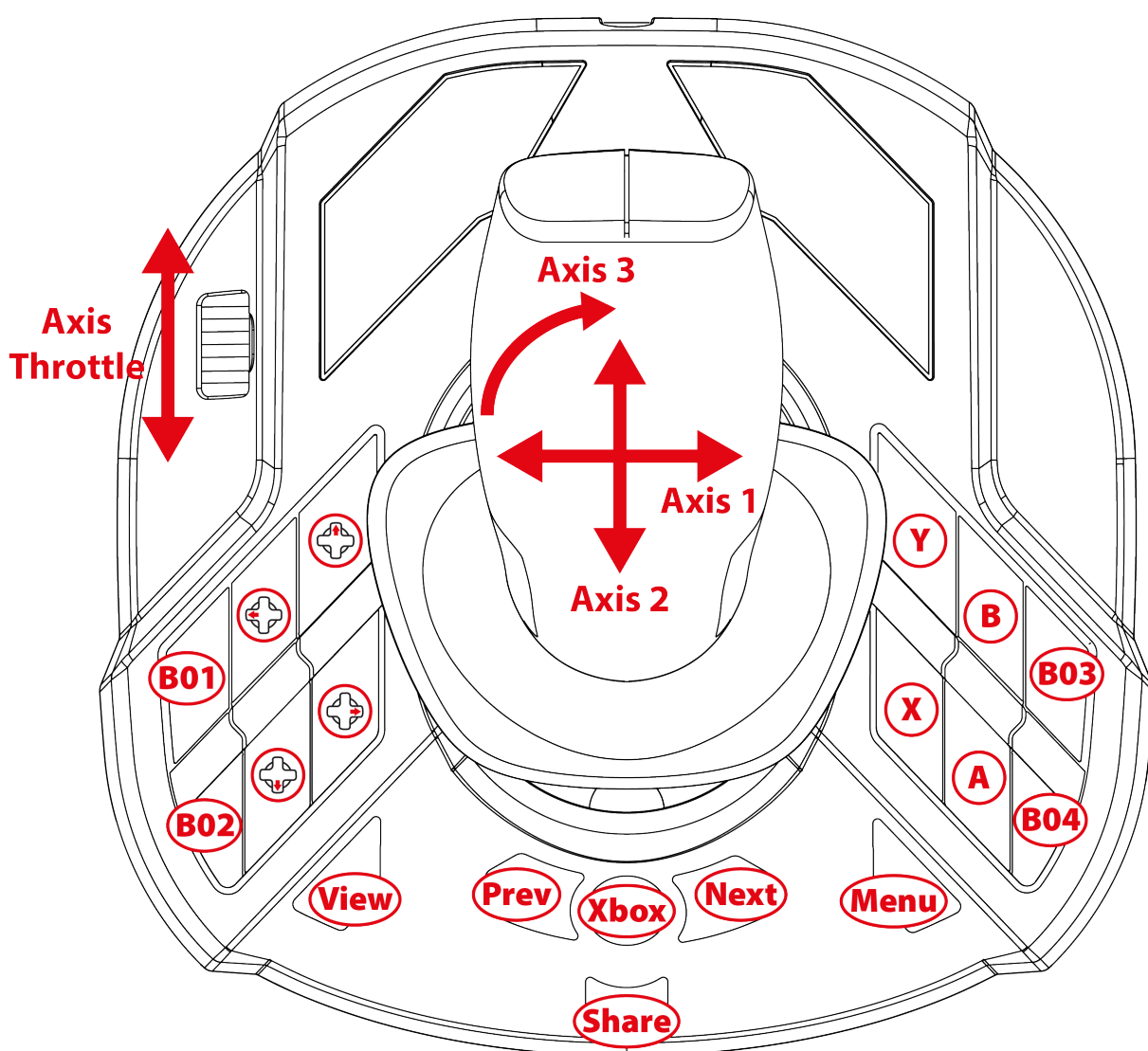


Při připojování joysticku držte rukojeť vždy ve střední poloze, nepohybujte s ní ani s ní neotáčejte, abyste předešli případným problémům s kalibrací.

*\*není součástí*

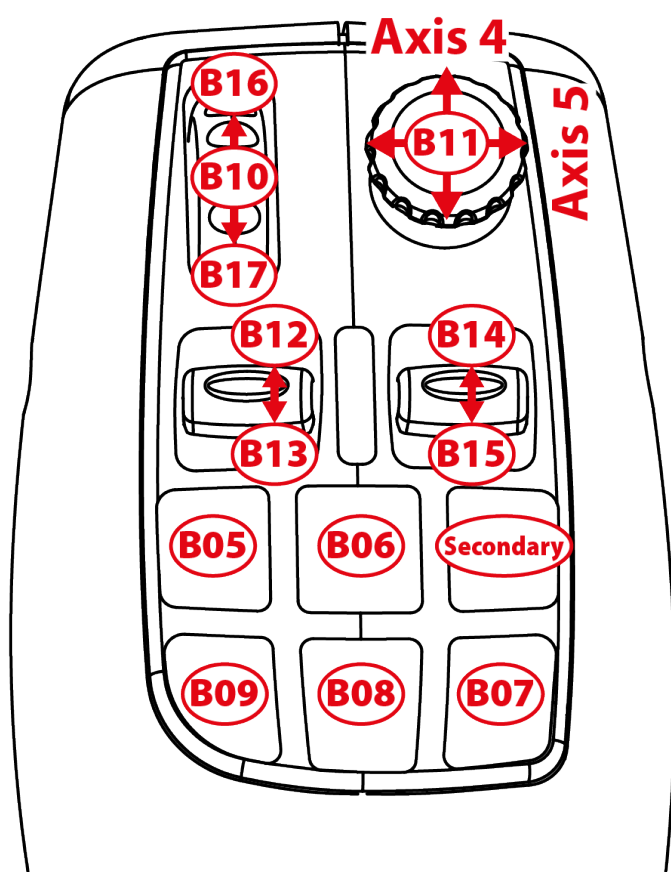


## 6. Xbox mapování

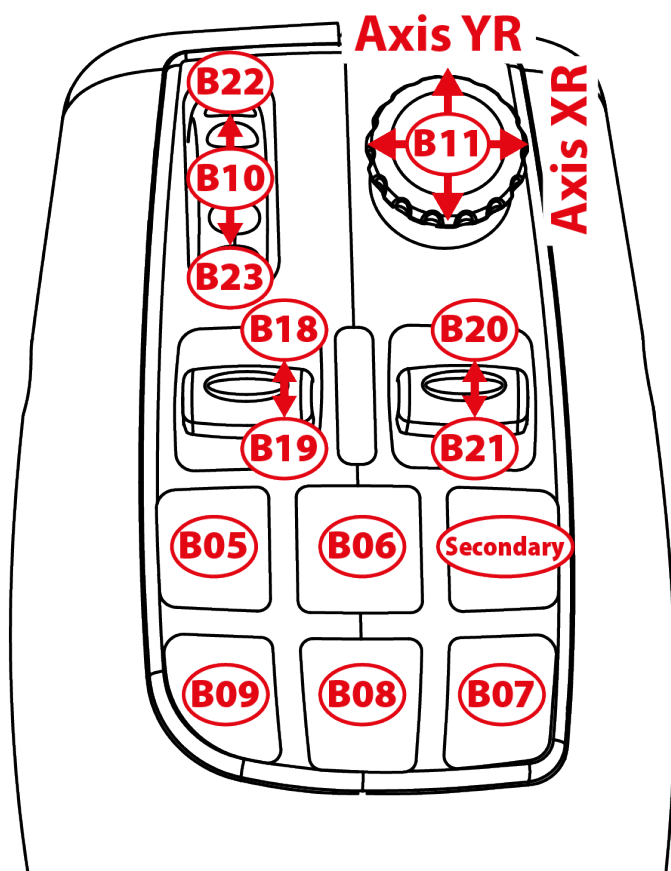


Mapování je stejné v pravostranném i levostranném režimu.

Režim pro praváky (výchozí) / leváky lze zvolit **následujícím** postupem. Při současném používání dvou joysticků vám tento režim pomůže je rozlišit.

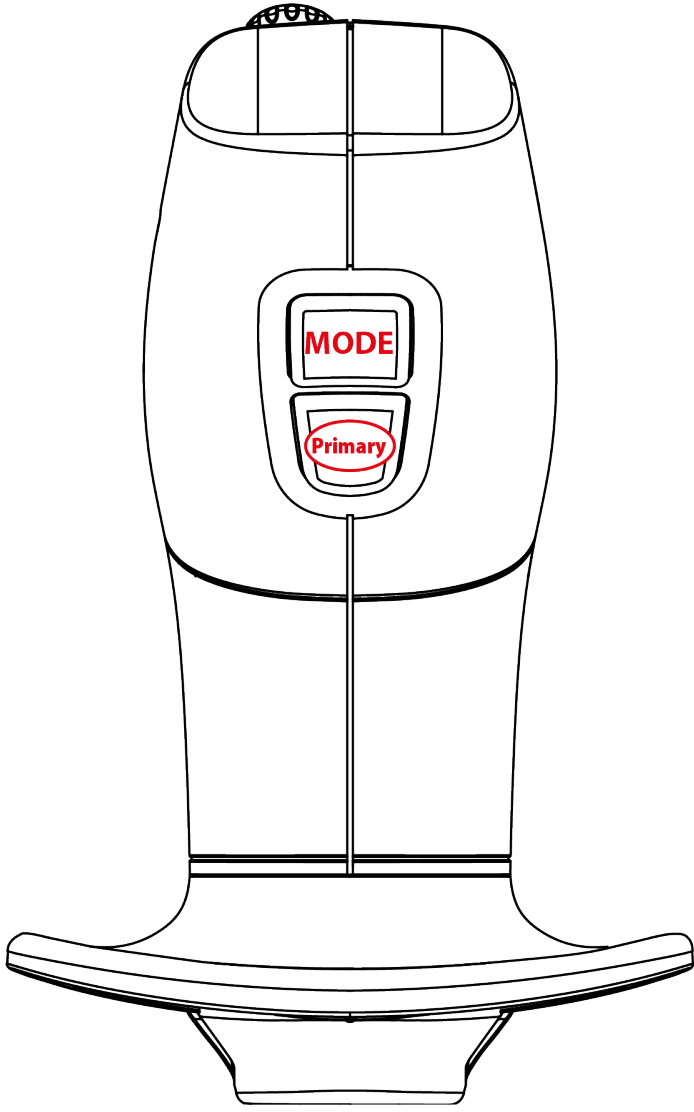


**Režim Jízdy**



**Režim Práce**







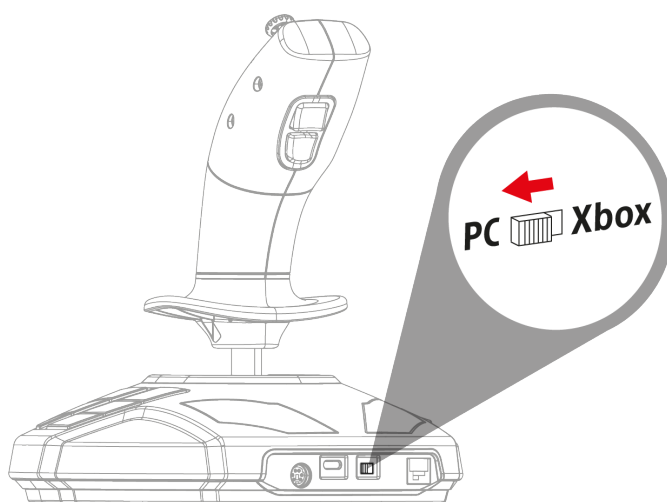
## 7. Instalace na PC

1. Prosím navštivte:

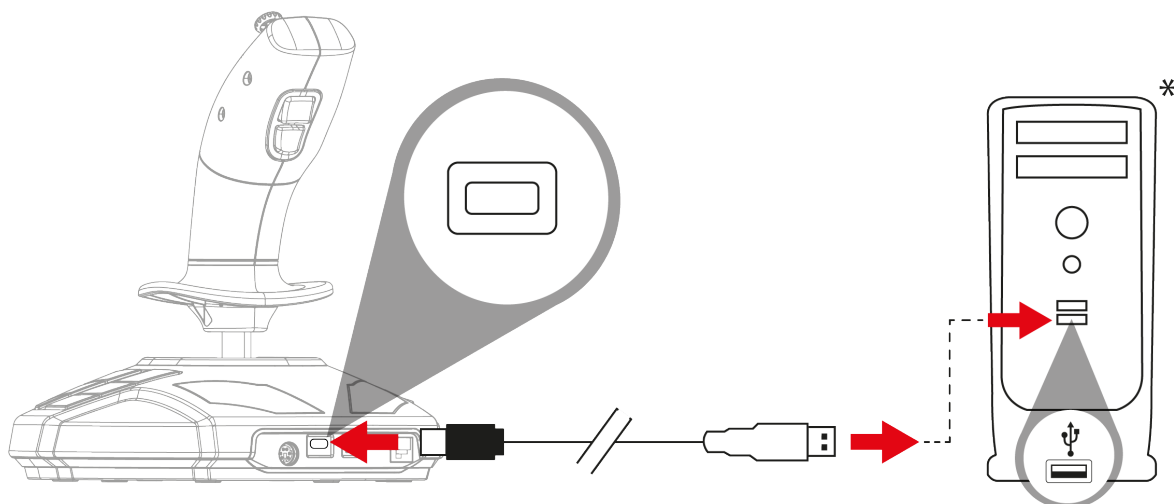
<https://support.thrustmaster.com/product/simtask-farmstick-x/>.

2. Stáhněte si a nainstalujte ovladač počítače a jeho uživatelské rozhraní pro ovládací panel systému Windows.

3. Po instalaci ovladače PC nastavte přepínač 19 na zadní straně joysticku do polohy PC.



4. Zapojte kabel USB-C - USB-A do portu USB-C joysticku 18 a do jednoho z portů USB-A počítače\*.



\*není součástí



5. Zvolte **Start / Nastavení / Ovládací panely** a dvakrát klikněte na **Herní ovladače**. V dialogovém okně **Herní ovladače** se zobrazí název joysticku se statusem **OK**.
6. V okně **Ovládací panely** klikněte na tlačítko **Vlastnosti** a otestujte a zobrazte všechny funkce. Můžete také vybrat režim pro praváky (výchozí) nebo pro leváky.

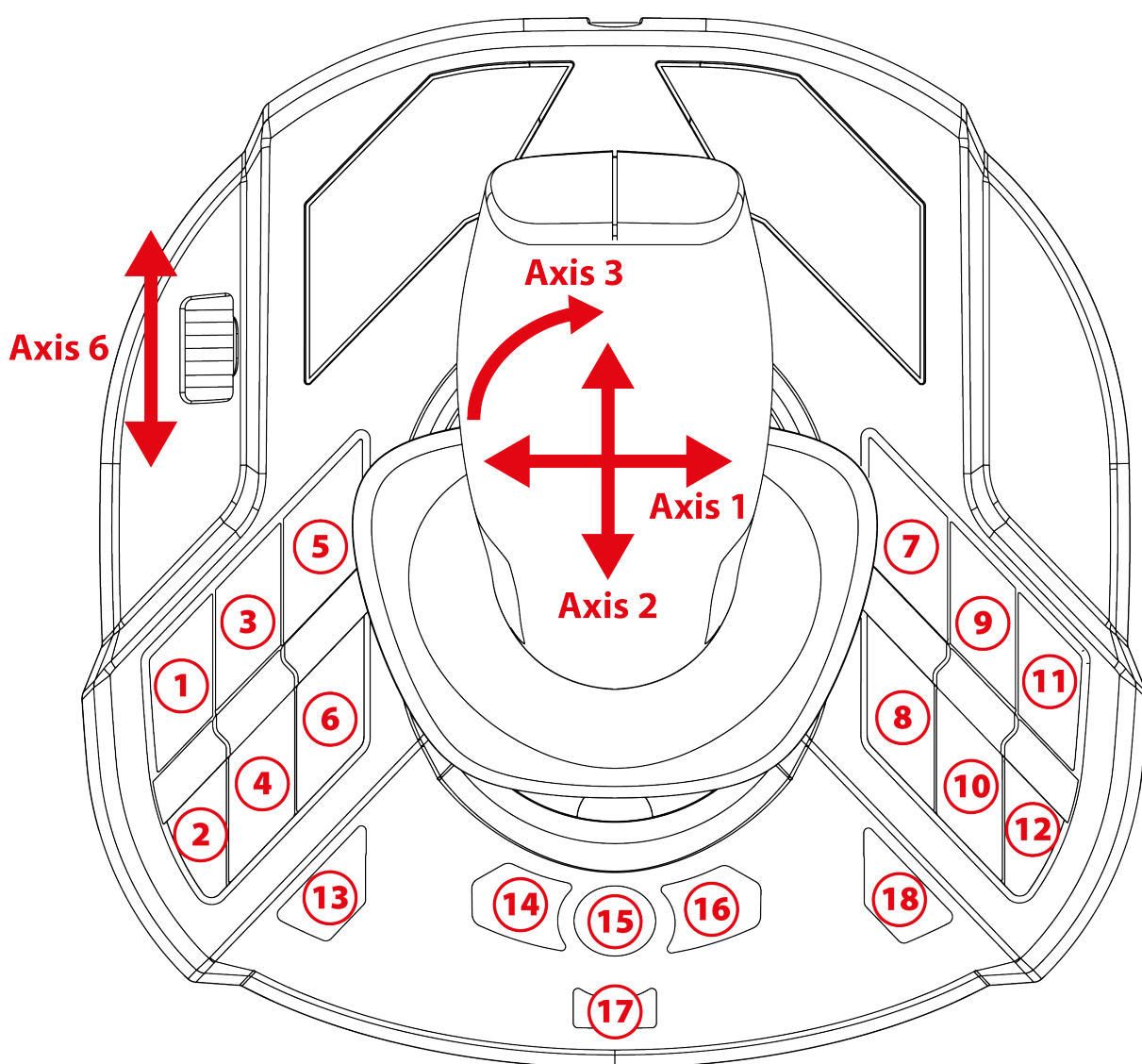
Nyní jste připraveni hrát!



Při připojování joysticku držte rukojeť vždy ve střední poloze, nepohybujte s ní ani ji neotáčejte, abyste předešli případným problémům s kalibrací.

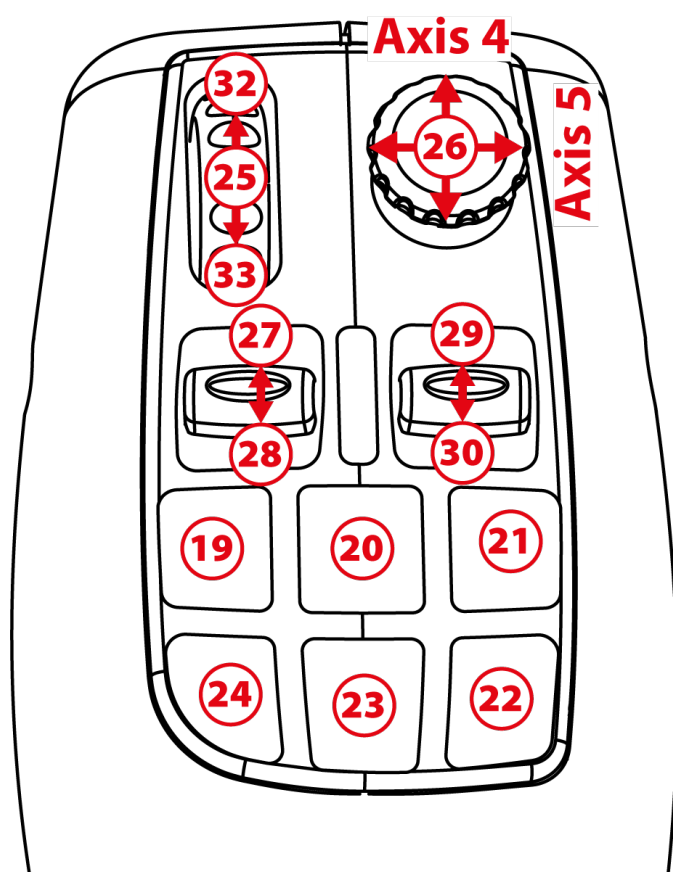


## 8. Mapování na PC

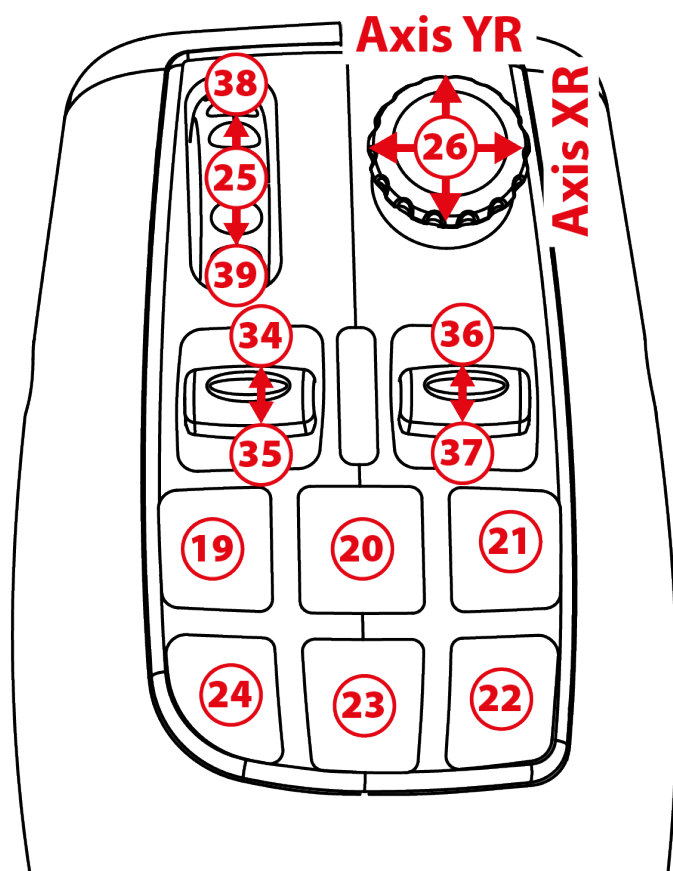


Mapování je stejné v pravostranném i levostranném režimu.

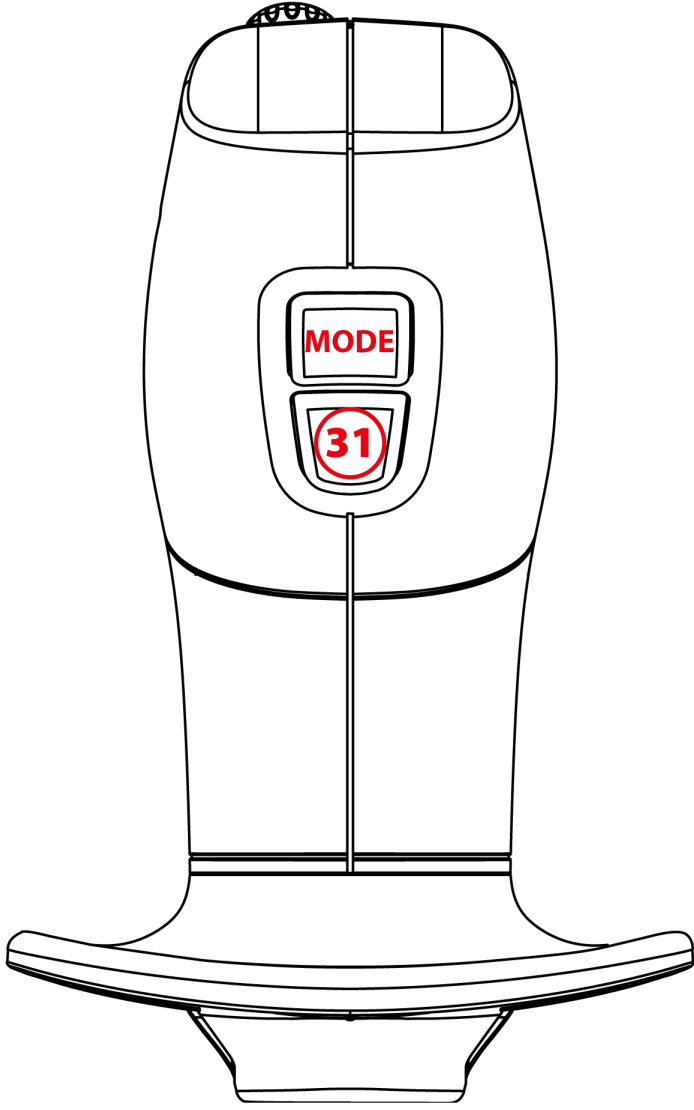
Pravoruký (výchozí) nebo levoruký režim lze zvolit podle **tohoto** postupu nebo v **Ovládacím panelu**. Při současném používání dvou joysticků vám tento režim pomůže je rozlišit.



**Režim Jízdy**



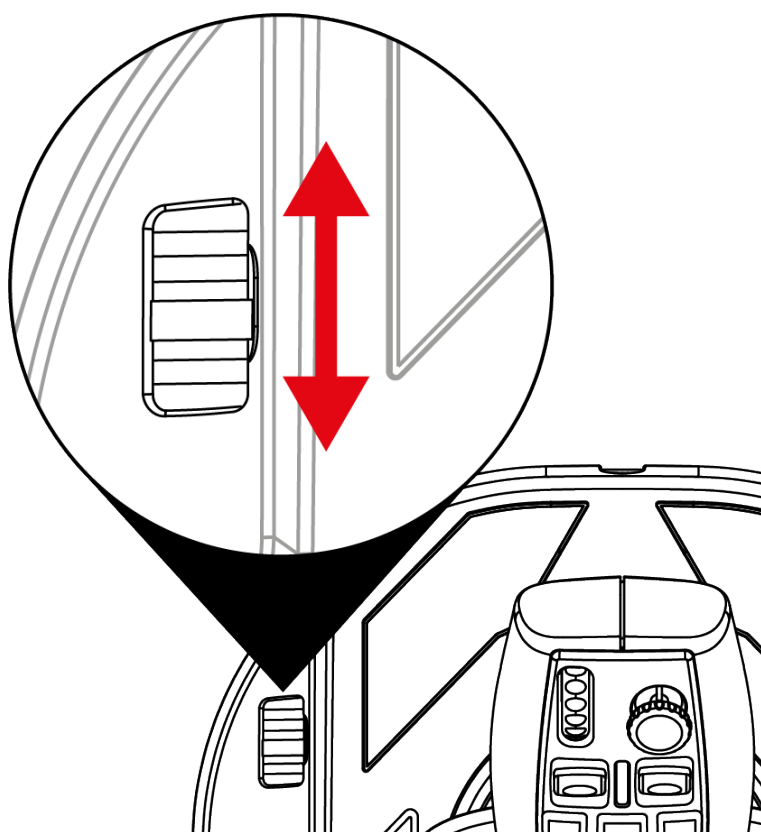
**Režim Práce**





## 9. Plyn

Joystick je vybaven plynem (škrticí klapkou) **8**, který umožňuje snadno ovládat otáčky motoru.

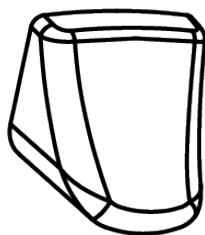




## 10. Vyměnitelná spoušť

Váš joystick je vybaven vyměnitelnou spouští **16**, která poskytuje různou herní ergonomii.

Ve výchozím nastavení nainstalovanou spoušť lze nahradit spouští vhodnou pro letovou simulaci (je součástí SimTask FarmStick).

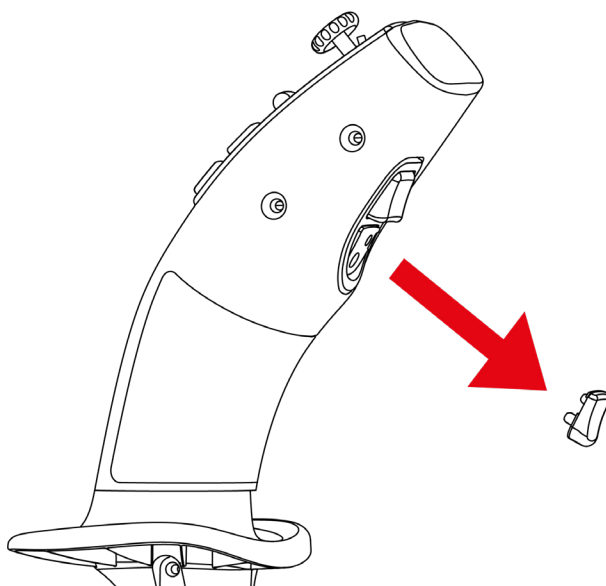




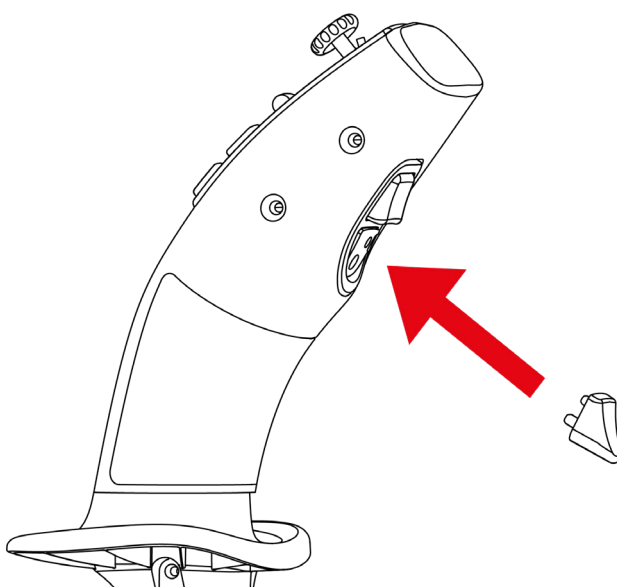


## Změna spouště:

1. Položte prsty na obě strany spouště a opatrně ji stiskněte.



2. Vložte novou spoušť do správné montážní polohy.



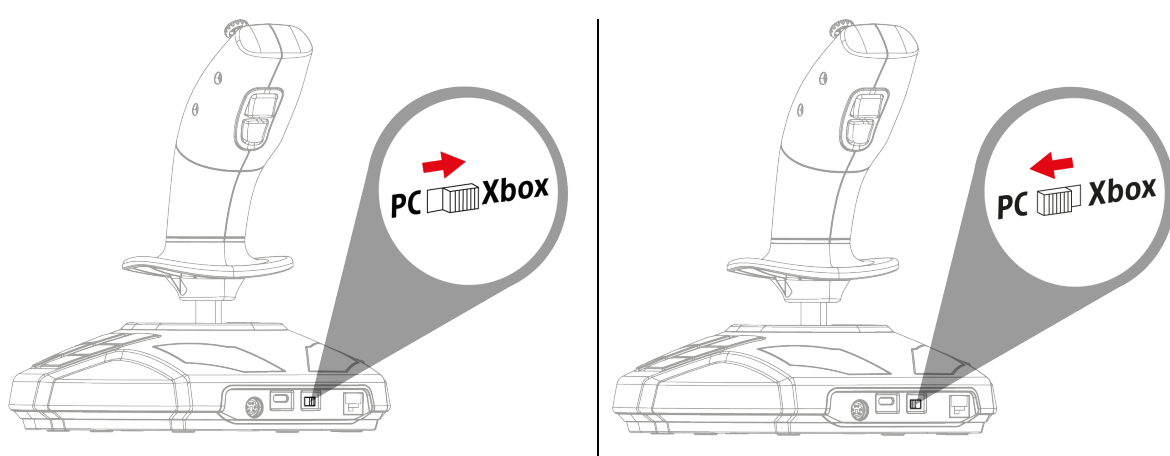
Centrovací kolíky musí zapadnout do své polohy v páce. Spoušť nezasouvejte silou, protože by mohlo dojít k poškození kolíků.



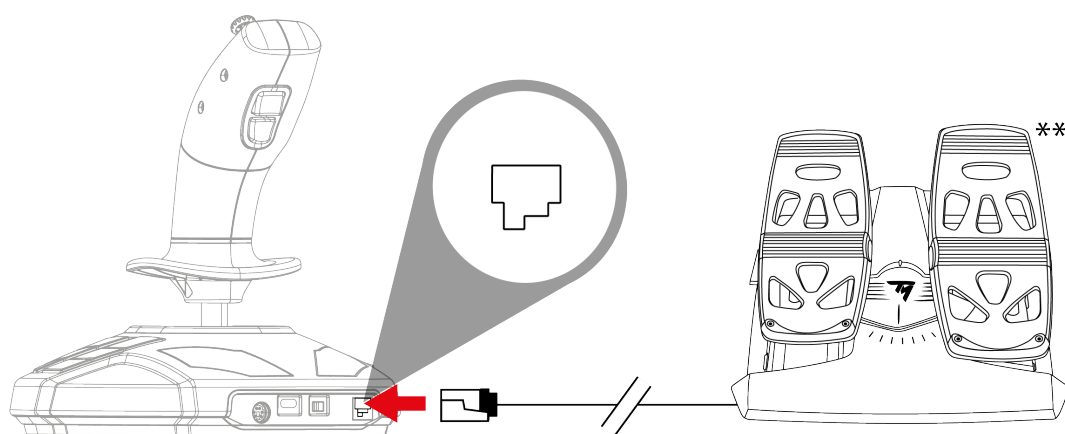
# 11. Instalace na Xbox Series X|S\* nebo PC\* s kormidlem TFRP\*\*

Kormidlo TFRP\*\* se zapojuje do SimTask FarmStick.

1. Nastavte přepínač 19 na zadní straně joysticku do polohy Xbox nebo PC.



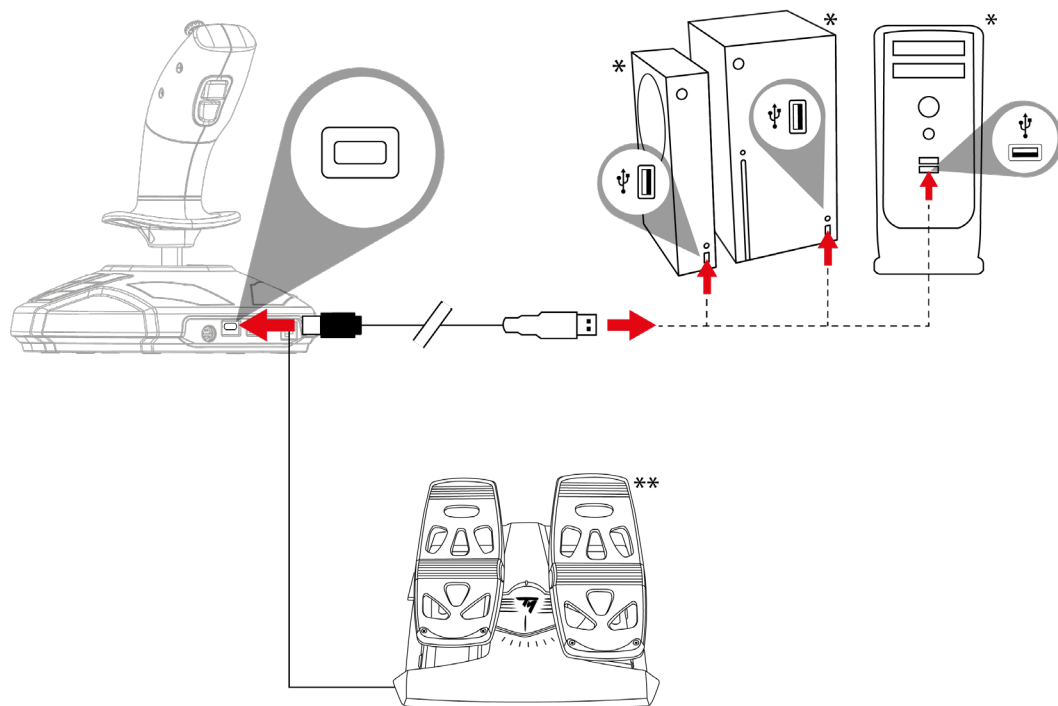
2. Zapojte kabel RJ12 kormidla TFRP\*\* do portu RJ12 20 na zadní straně joysticku.



\*není součástí / \*\*prodává se samostatně



3. Zapojte kabel USB-C - USB-A do portu USB-C joysticku 18 a do portu USB-A konzole\* nebo počítače\*.



- Při připojování joysticku držte páku vždy ve středové poloze, nepohybujte s ní ani s ní neotáčejte, abyste předešli případným problémům s kalibrací.
- Při připojování kormidla k joysticku: vždy udržujte osu kormidla ve střední poloze a nepokládejte nohy na pedály kormidla, abyste předešli případným problémům s kalibrací.

*\*prodává se samostatně / \*\*není součástí*



## 12. Často kladené dotazy a technická podpora

### ***Můj joystick nefunguje správně nebo se zdá být špatně zkalibrováný.***

- Vypněte konzoli nebo počítač a odpojte joystick; poté konzoli nebo počítač znovu zapněte, znovu připojte joystick a restartujte hru.
- Při připojování joysticku držte rukojeť vždy ve střední poloze, nepohybujte s ní ani ji neotáčejte, abyste předešli případným problémům s kalibrací.
- Při připojování kormidla k joysticku: vždy udržujte osu kormidla ve střední poloze a nepokládejte nohy na pedály kormidla, abyste předešli případným problémům s kalibrací.



## ***Nemohu nakonfigurovat joystick.***

- V menu hry **Možnosti / Ovladač / Gamepad** nebo **Joystick**: vyberte příslušnou konfiguraci nebo zcela změňte nastavení ovladače.
- Další informace naleznete v uživatelské příručce ke hře nebo v online nápovědě.



## ***Můj joystick je příliš citlivý nebo nedostatečně citlivý.***

- Jakmile provedete několik pohybů podél různých os, joystick se sám zkalibruje.
- V menu hry **Možnosti / Ovladač / Gamepad** nebo **Joystick**: nastavte citlivost a mrtvé zóny joysticku (pokud jsou tyto možnosti k dispozici).

Máte dotazy týkající se SimTask FarmStick nebo se potýkáte s technickými problémy? Pokud ano, navštivte webové stránky technické podpory společnosti Thrustmaster:

<https://support.thrustmaster.com/product/simtask-farmstick-x/>.



# **THRUSTMASTER®**



# **SIMTASK FARMSTICK**

**XBOX SERIES X|S – PC**

## **Kullanıcı Kılavuzu**



Ürünü monte etmeden **önce**, ürünün her türlü kullanımından **önce** ve tüm bakımlardan **önce** bu kılavuzda verilen talimatları **dikkatlice okuyun**. Güvenli talimatlarına mutlaka uyun. Bu talimatlara uyulmaması kazalara ve/veya hasara neden olabilir. Gelecekte talimatlara başvurabilmek için bu kılavuzu muhafaza edin.

# İÇİNDEKİLER

1.	KUTU İÇERİĞİ .....	5
2.	ÖZELLİKLER .....	6
3.	KULLANIMA DAİR BİLGİ.....	9
4.	JOYSTİCK'İNİZİ TANIYALIM .....	12
	<i>Öne çıkan özellikler.....</i>	<i>12</i>
	<i>H.E.A.R.T. (HallEffect AccuRate Technology)</i>	
	<i>hassasiyet teknolojisi .....</i>	<i>13</i>
	<i>Sürüş modu &lt;&gt; Çalışma modu .....</i>	<i>14</i>
	<i>Döner kol.....</i>	<i>17</i>
	<i>"Görüş açısı" mini kolu.....</i>	<i>18</i>
	<i>Xbox Series X S* ve PC'de* SimTask</i>	
	<i>FarmStick bağlantısı .....</i>	<i>19</i>
	<i>Sağ ve sol el joystick konfigürasyonu .....</i>	<i>21</i>



5.	XBOX SERIES X S'TE KURULUM .....	24
6.	XBOX EŞLEŞTİRMESİ.....	26
7.	PC'DE KURULUM .....	29
8.	PC EŞLEŞTİRMESİ .....	31
9.	GAZ KOLU.....	34
10.	DEĞİŞTİRİLEBİLİR TETİK.....	35
11.	XBOX SERIES X S* VEYA PC'DE* TFRP DÜMENLE** KURULUM .....	37
12.	SSS VE TEKNİK DESTEK .....	39

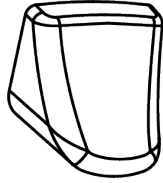
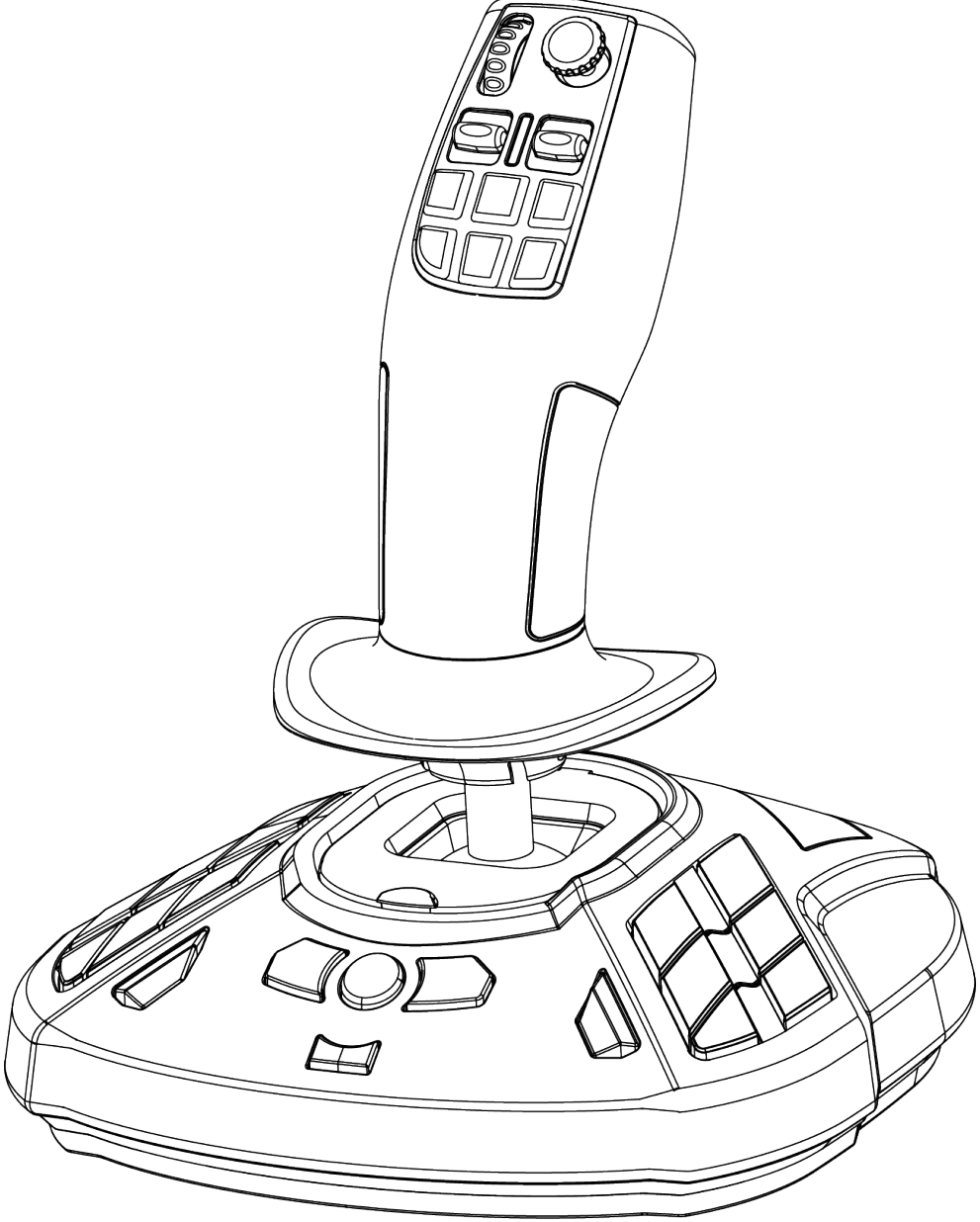


Thrustmaster'dan SimTask FarmStick ile tarım ve iş makinalarını kullanmak için kusursuz bir şekilde uyarlanmış bir cihazın tadını çıkaracaksınız. SimTask FarmStick'i uçuş simülasyonu için bir joystick olarak da kullanabilirsiniz.

Bu kılavuz, SimTask FarmStick'i en iyi koşullarda monte edip kullanmanıza yardımcı olacaktır. Başlamadan önce tüm bu talimatları ve uyarıları mutlaka dikkatlice okuyun: Ürününüzden en üst düzeyde yararlanmanıza yardımcı olacaktır.

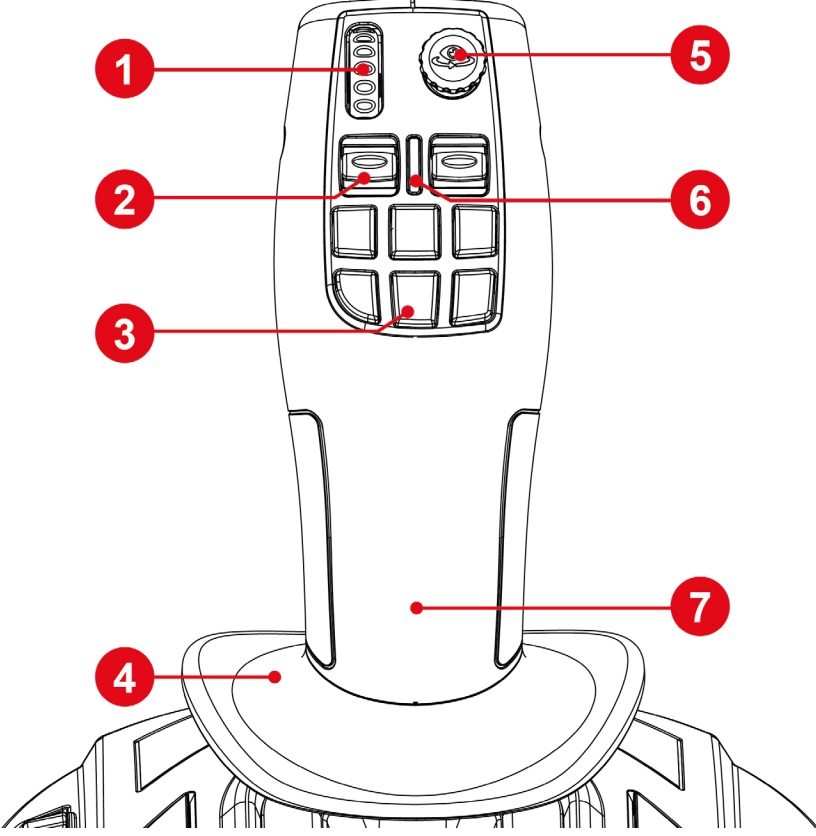


# 1. Kutu içeriđi

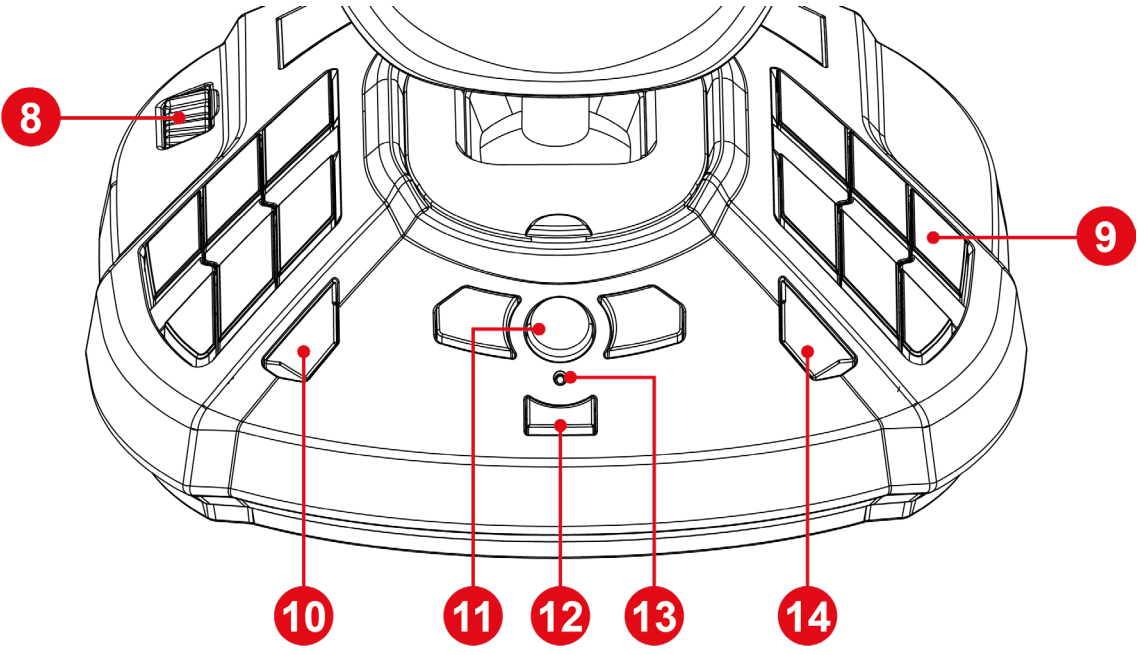




## 2. Özellikler



1. Ayar tekeri
2. Basmalı anahtar
3. Hızlı eylem düğmeleri
4. El dayama yeri
5. "Görüş açısı" mini kolu
6. Kol modu gösterge LED'i
7. İki elle de kullanılabilen kol



8. Gaz kolu

9. Programlanabilir eylem düğmeleri

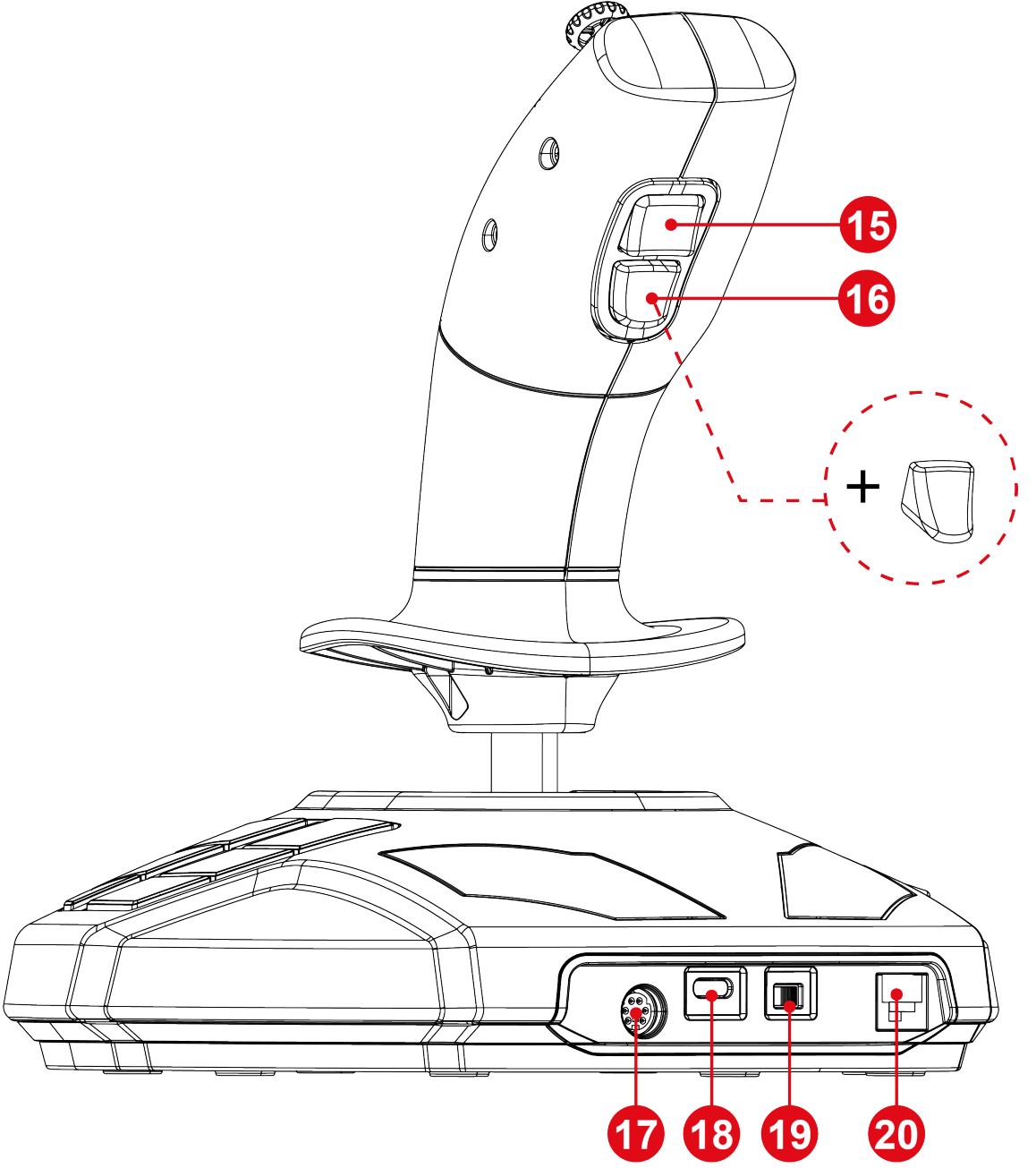
10. View (Görünüm) düğmesi

11. Xbox düğmesi

12. Share (Paylaş) düğmesi

13. Gösterge ışığı

14. Menu (Menü) düğmesi



15. Kol modu deęiřtirme dđęmesi

16. Deęiřtirilebilir eylem tetięi

17. Ek aksesuarlar\* iin DIN portu

18. USB-C portu

19. Xbox / PC seęme dđęmesi

20. TFRP dđmeni\* RJ12 portu

*\*ayrı olarak satılır*



### 3. Kullanıma dair bilgi



#### **Belgeler**

Bu ürünü kullanmadan önce bu belgeyi dikkatlice yeniden okuyun ve ileride başvurmak üzere saklayın.



### **Elektrik arpması**

- Ürünü kuru bir yerde saklayın ve toza veya güneş ışığına maruz bırakmayın.
- Bağlantı yönlerine dikkat edin.
- Konektörleri ve kabloları bükmeyin ve çekmeyin.
- Ürünün veya konektörlerinin üzerine herhangi bir sıvı dökmeyin.
- Ürünü kısa devre yapmayın.
- Ürünü asla parçalarına ayırmayın, ateşe atmayın ve yüksek sıcaklıklara maruz bırakmayın.
- Cihazın içini açmayın: İçinde kullanıcı tarafından bakım/onarım yapılabilecek para yoktur. Tüm onarım işlemleri üretici firma, belirtilen temsilci veya kalifiye teknisyen tarafından yapılmalıdır.





### **Oyun alanının emniyete alınması**

- Oyun alanına kullanıcının antrenman yapmasını aksatabilecek veya uygun olmayan bir harekete neden olabilecek ya da başka birinin oyunu bölmesine yol açabilecek hiçbir nesne (iecek kupası, telefon, anahtar, vb.) koymayın.
- Elektrik kablolarını halı veya kilim, battaniye veya rtü ya da başka bir Őeyle rtmeyin, insanların yürüdüėü yerlere kablo yerleŐtirmeyin.



## 4. Joystick'inizi tanıyalım

### *Öne çıkan özellikler*

- Bir ayar tekeri ve iki basmalı anahtar dahil 33 düğme ve 6 sanal eksen
- Bir mini kol, joystick kolu dönüşü ve gaz kolu dahil 6 eksen
- Kol modu gösterge LED'i
- H.E.A.R.T. teknolojisi (HallEffect AccuRate Technology)
- USB-A portu bağlantısı
- Gaz kolu
- TFRP dümeni\* RJ12 portu

*\*ayrı olarak satılır*



## ***H.E.A.R.T. (HallEffect AccuRate Technology) hassasiyet teknolojisi***

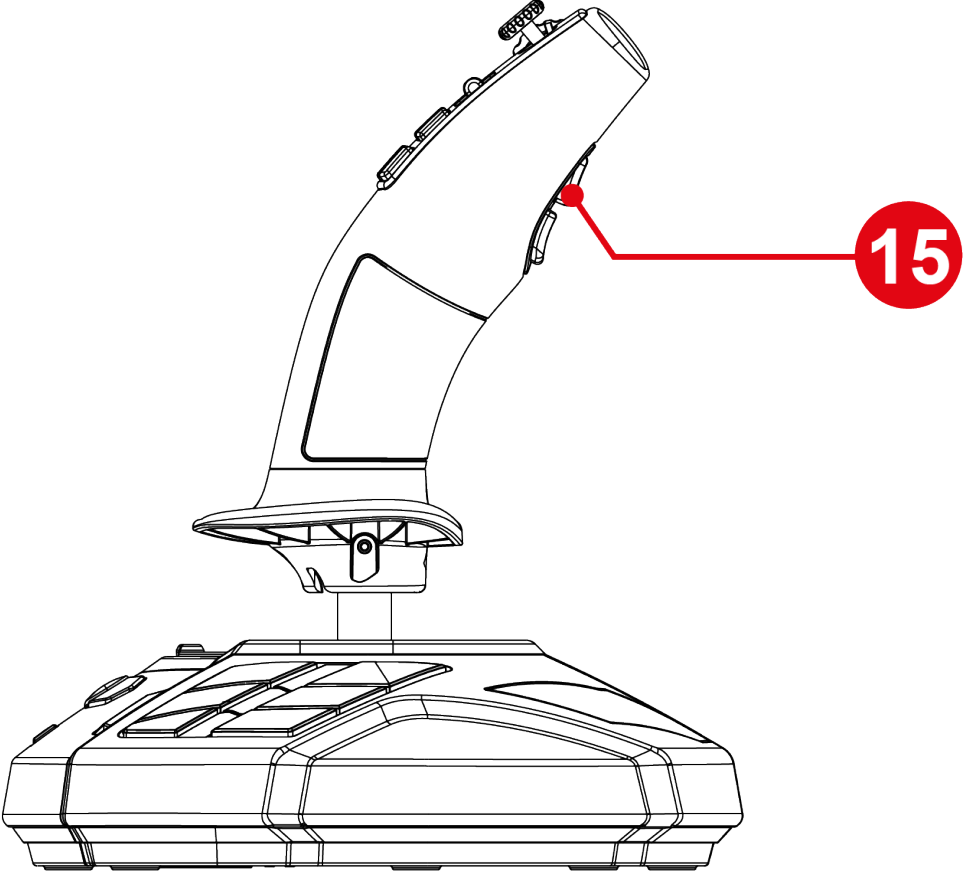
SimTask FarmStick'iniz Őu özellikler de dahil olmak üzere, halihazırda oyun joystick'leri dünyasında eşsiz hassasiyet seviyesi sağlayan bir teknolojiye sahiptir:

- Kol üzerinde 3D (Hall Etkisi) manyetik sensörler, X ve Y eksenlerinde 268 milyonu aşkın değere sahip çözünürlük (16.384 x 16.384 değer) sağlar.
- Mıknatıs: bitmeyen sınırsız hassasiyet ve olağanüstü tepkisellik için sürtünme yok.
- Kolda helezon yay (2,8 mm): sıkı, doğrusal ve ultra akıcı gerilim için.



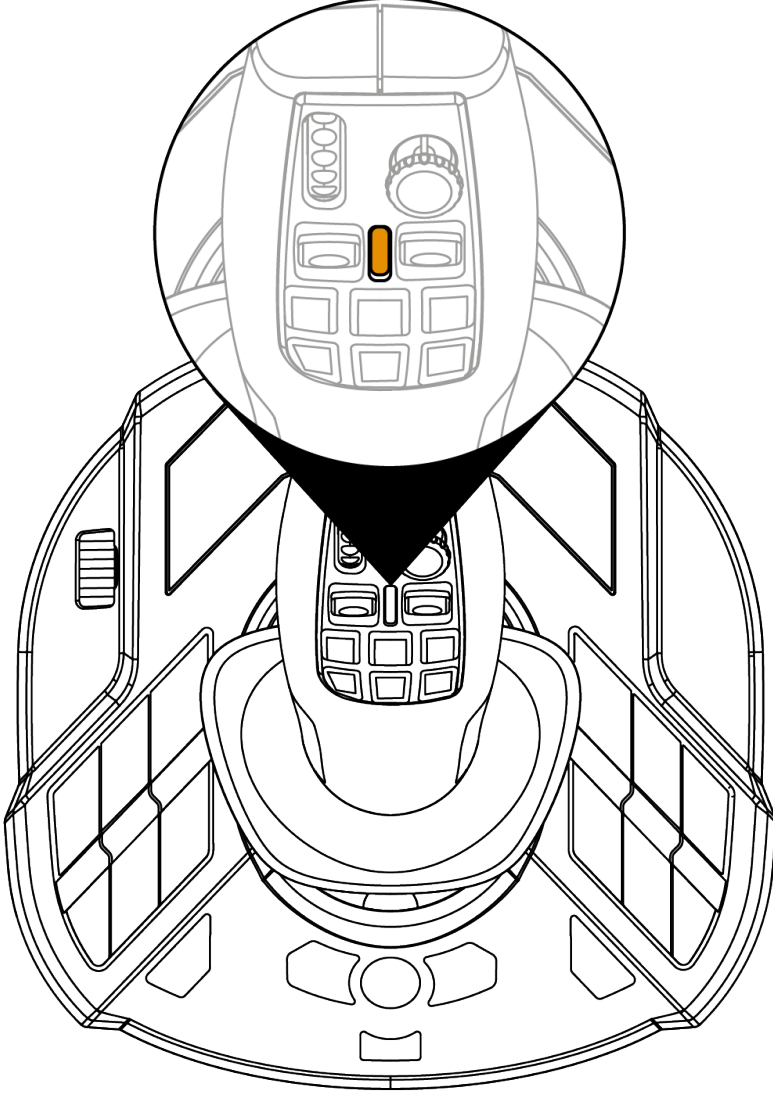
## Sürüş modu <=> Çalışma modu

15 numaralı düğme **Sürüş** modundan **Çalışma** moduna veya tersine geçiş yapmanızı sağlar.



Bu özellik, başparmakla, yani ayar tekeri 1 ve iki basmalı anahtar 2 ile yapılabilen eylem çeşitlerini artırır.

Modun değiştirilmesi, ayar tekeri 1 ve iki basmalı anahtar 2 ile ilişkili eylemleri değiştirir.



### Sürüş modu (varsayılan)

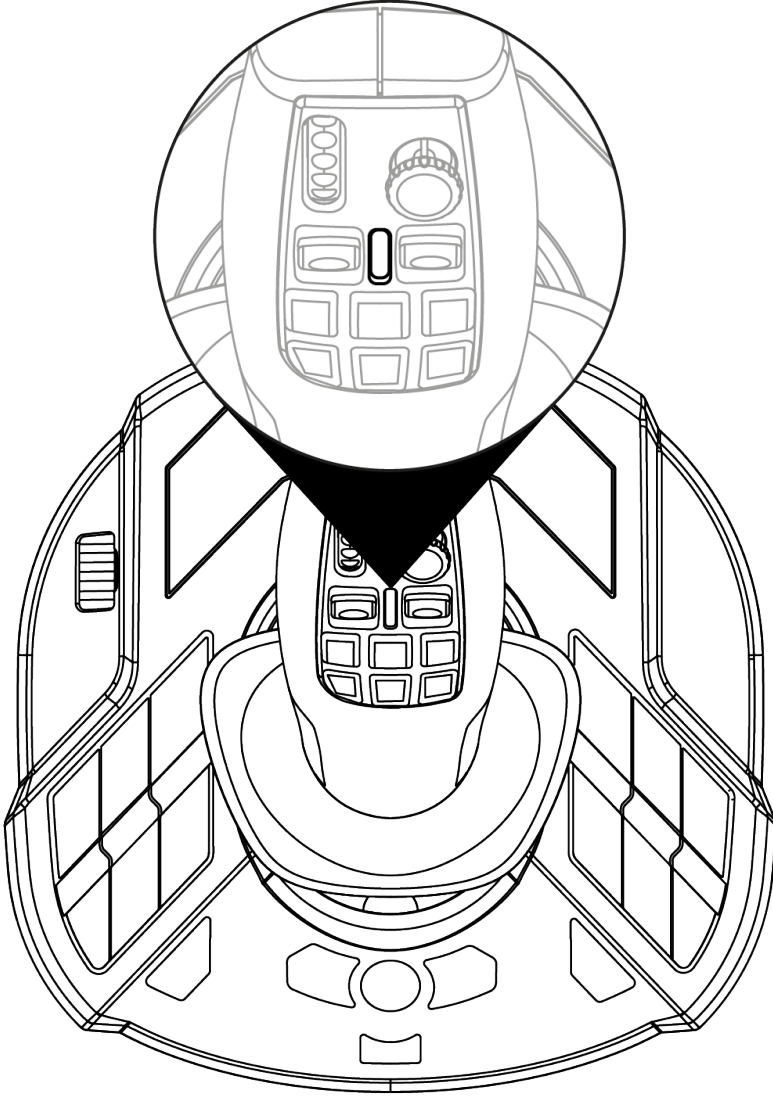
**Sürüş** modunda kol modu gösterge LED'i **6** turuncu yanar.



**Sürüş** modunda ayar tekeri **1** ve basmalı anahtarlar

**2** ile ilişkili eylemler şunlar olabilir:

- Ayar tekeri: regülatör ayar noktası kontrolü.
- Basmalı anahtarlar: vites kutusu yönetimi.



## Çalışma modu

**Çalışma** modunda kol modu gösterge LED'i **6** beyaz yanar.



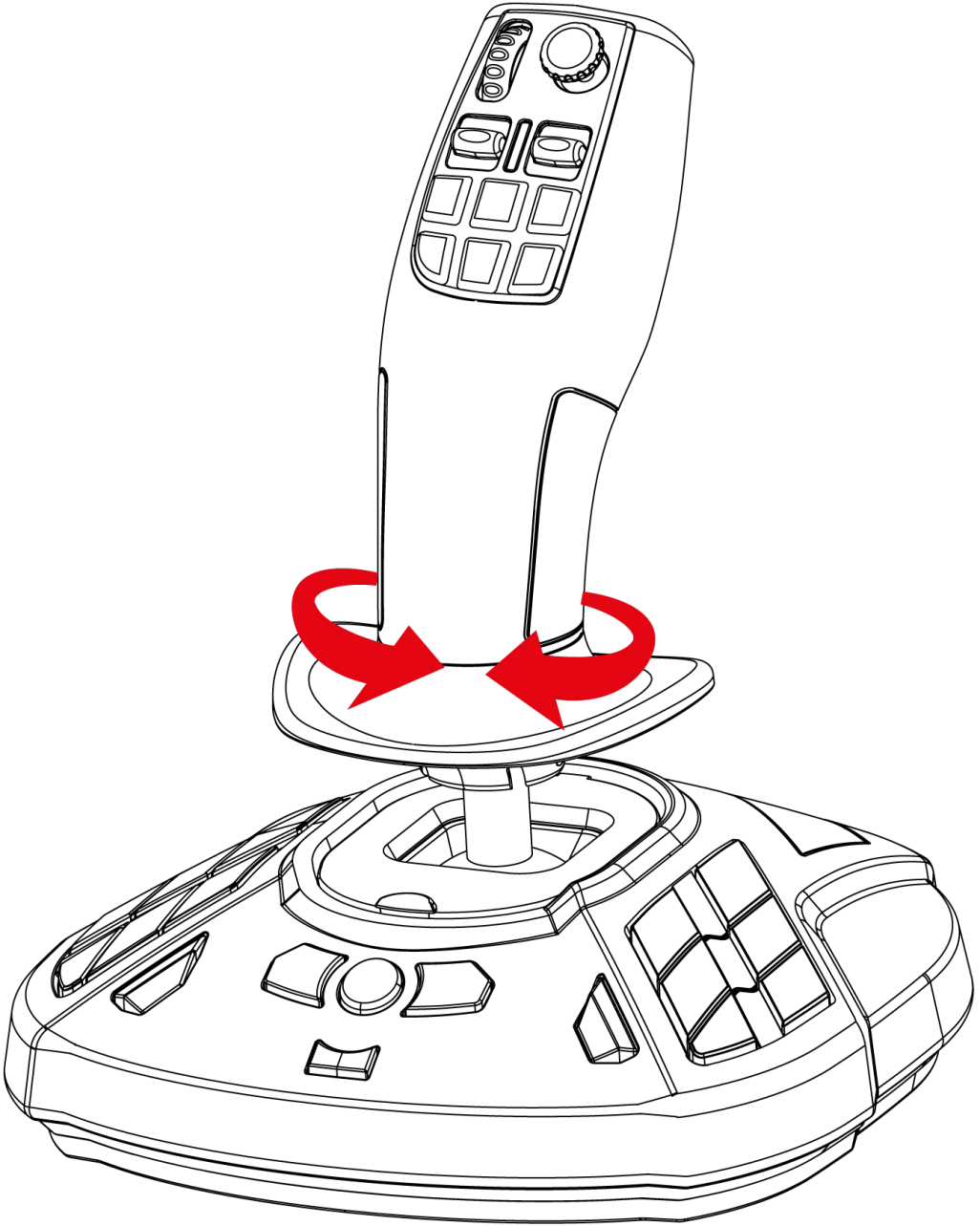
**Çalışma** modunda ayar tekeri **1** ve basmalı anahtarlar **2** ile ilişkili eylemler şunlar olabilir:

- Ayar tekeri: kamera zum kontrolü.
- Basmalı anahtarlar: vinç kolları ve yükleyicilerin kontrolü.



## *Döner kol*

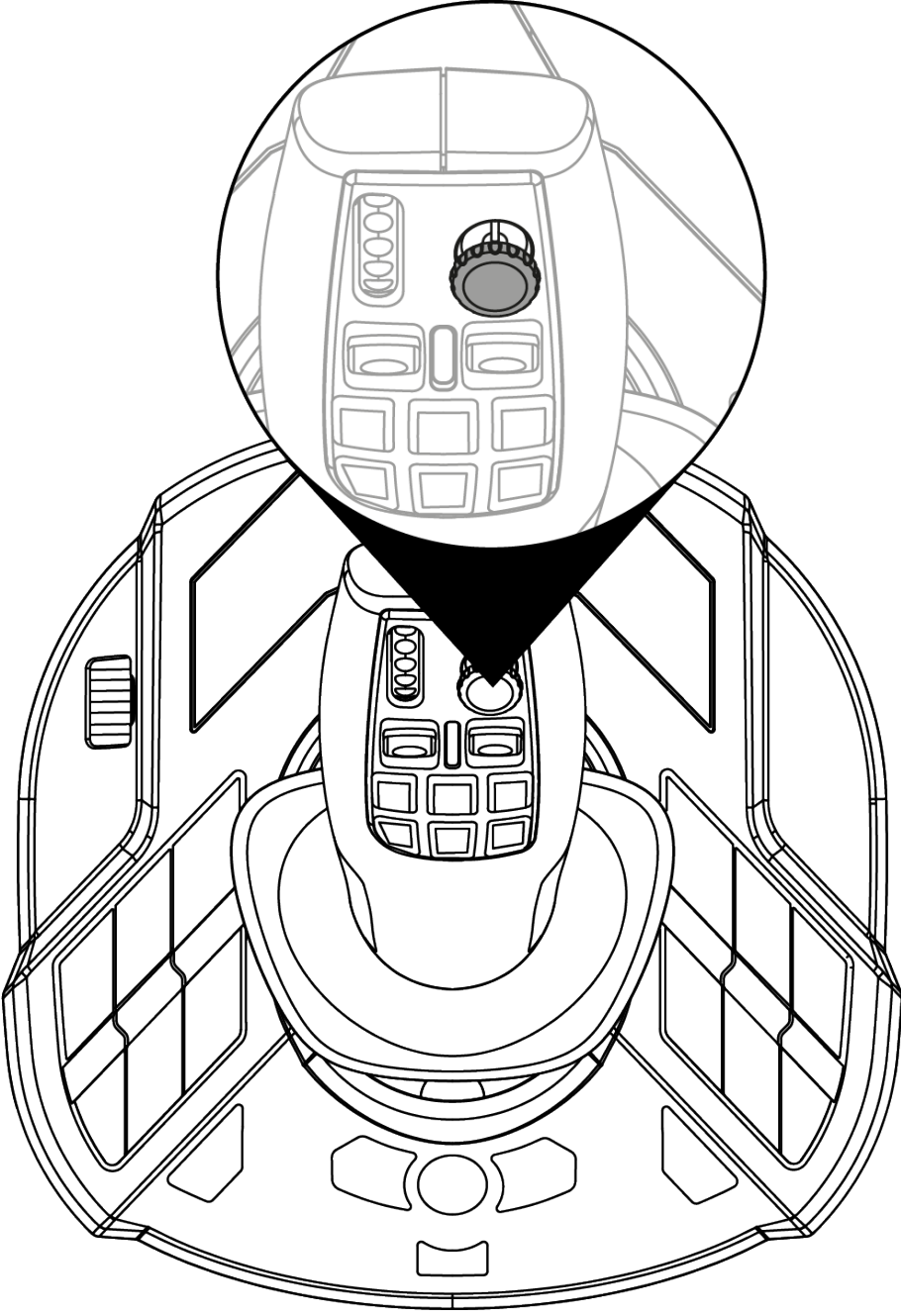
SimTask FarmStick, yatay eksenini etrafında dönen bir kol içerir. Bu kol, örneğin bir vinç başı veya ekskavatöre manevra yaptırmak için kullanışlıdır.





## *"Görüş açısı" mini kolu*

SimTask FarmStick, makine operatörünün görüş alanında olanları görmeyi sağlayan bir "Görüş açısı" mini koluna 5 sahiptir.







## ***Xbox Series X|S\* ve PC'de\* SimTask FarmStick bağlantısı***

SimTask FarmStick'te altı eksen bulunur ancak joystick'in arka kısmına TFRP\*\* dümen bağlama seçeneği sunar. Bu da iki ek eksen ve ayrıca TFRP ile dümen kontrolü sağlar.

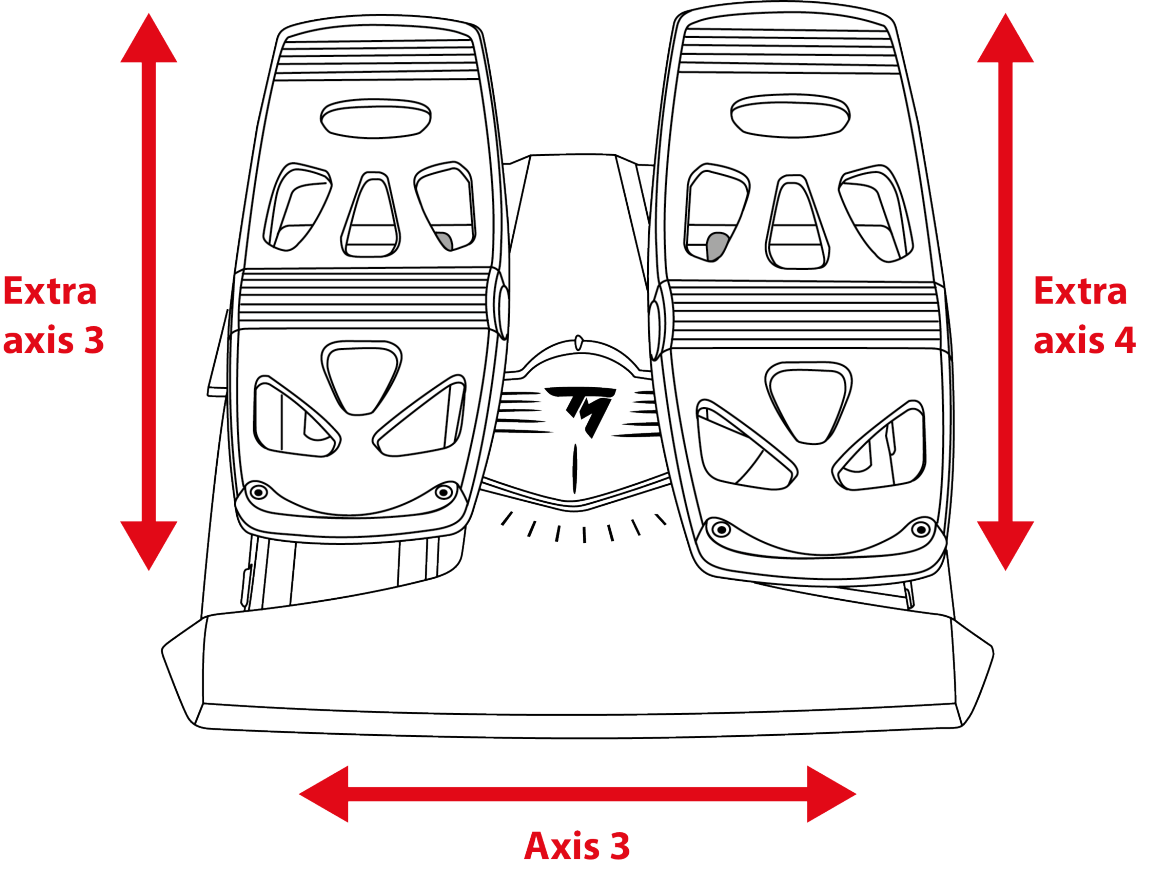


TFRP dümen, Xbox Series X|S ve PC'de desteklenen tek aygıttır.

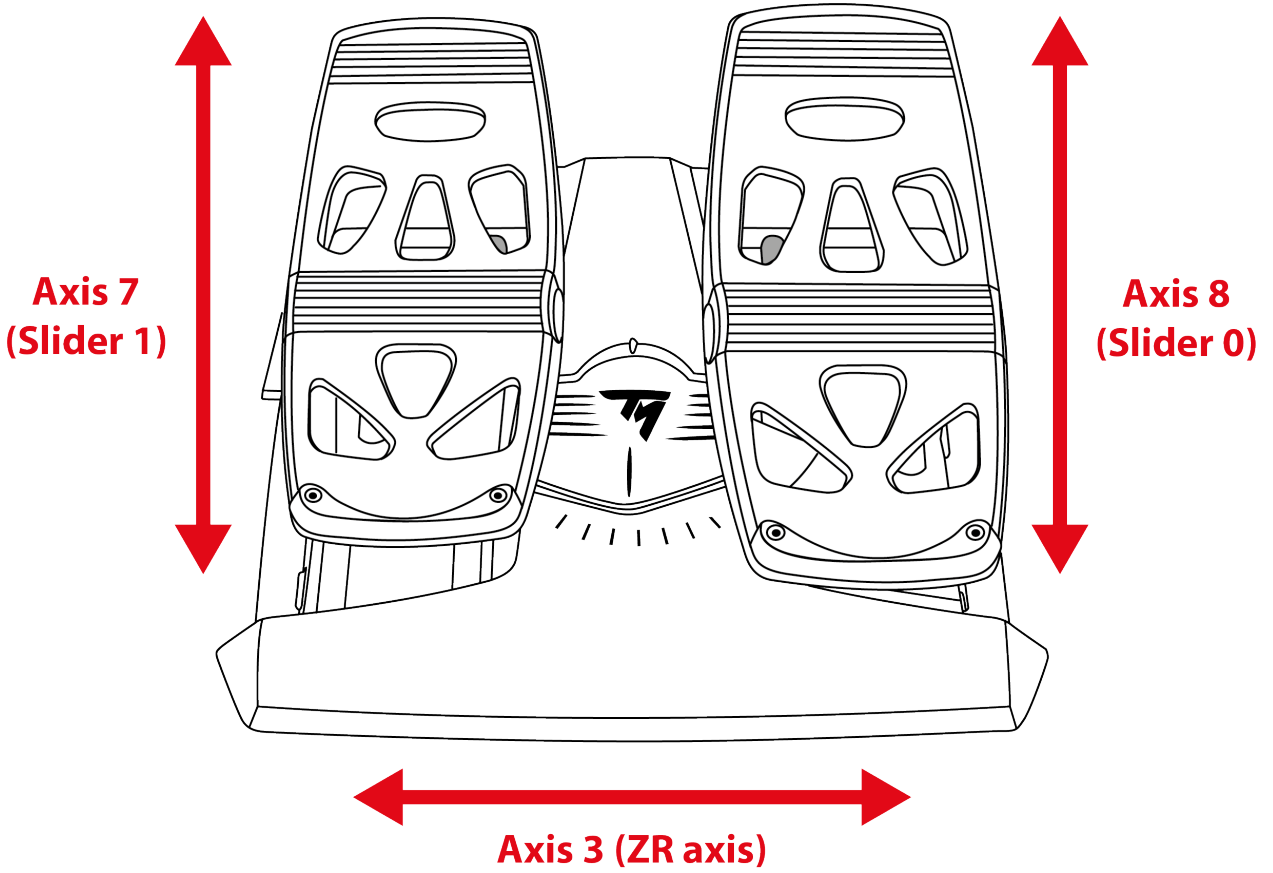
*\*ürünle verilmez / \*\*ayrı olarak satılır*



Xbox için eşleştirme:



PC için eşleştirme:





## ***Sağ ve sol el joystick konfigürasyonu***

SimTask FarmStick'iniz, ister sağak ister solak olsun tüm oyunculara sorunsuz uyum sağlamak için iki elle de kullanılabilir.

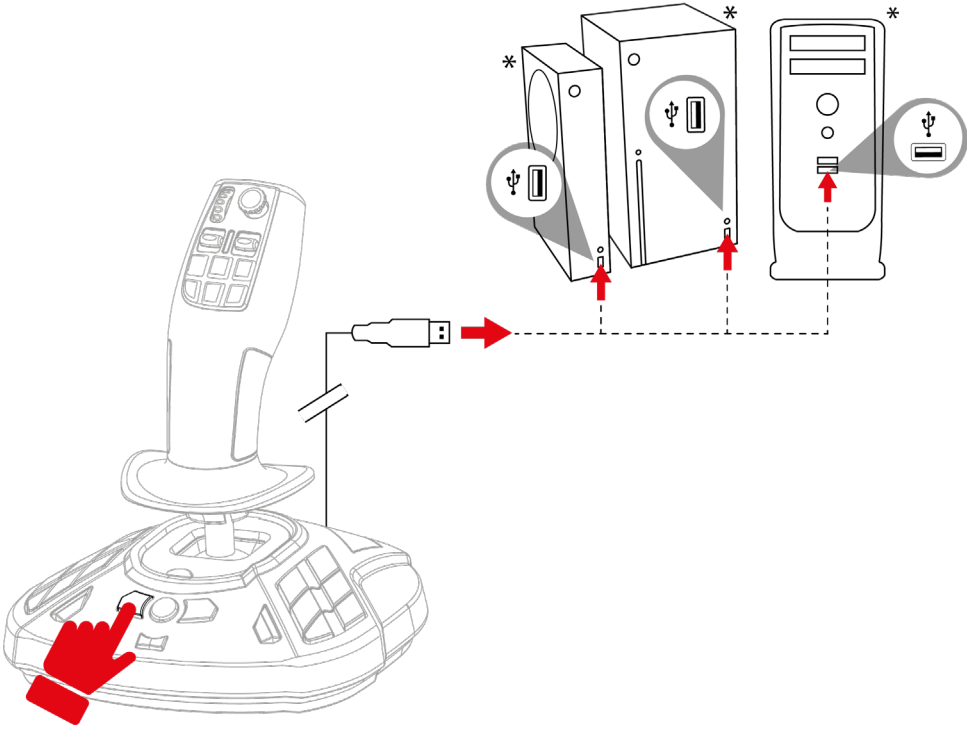
Standart olarak joystick sağ el moduna ayarlanmıştır.



Joystick'i SOL EL moduna ayarlamak için:

1. SimTask FarmStick'inizi Xbox Series X|S veya PC'ye bağlarken 14 numaralı düğmeye (PC'de) veya Önceki düğmesine (Xbox Series X|S'te) basıp basılı tutun.

Kol modu gösterge LED'i **6** beş saniye süreyle beyaz yanıp söner.



2. 14 numaralı düğmeyi (PC'de) veya Önceki düğmesini (Xbox Series X|S'te) bırakın.



SOL EL modu SimTask FarmStick'in dahili belleğine otomatik olarak kaydedilir.

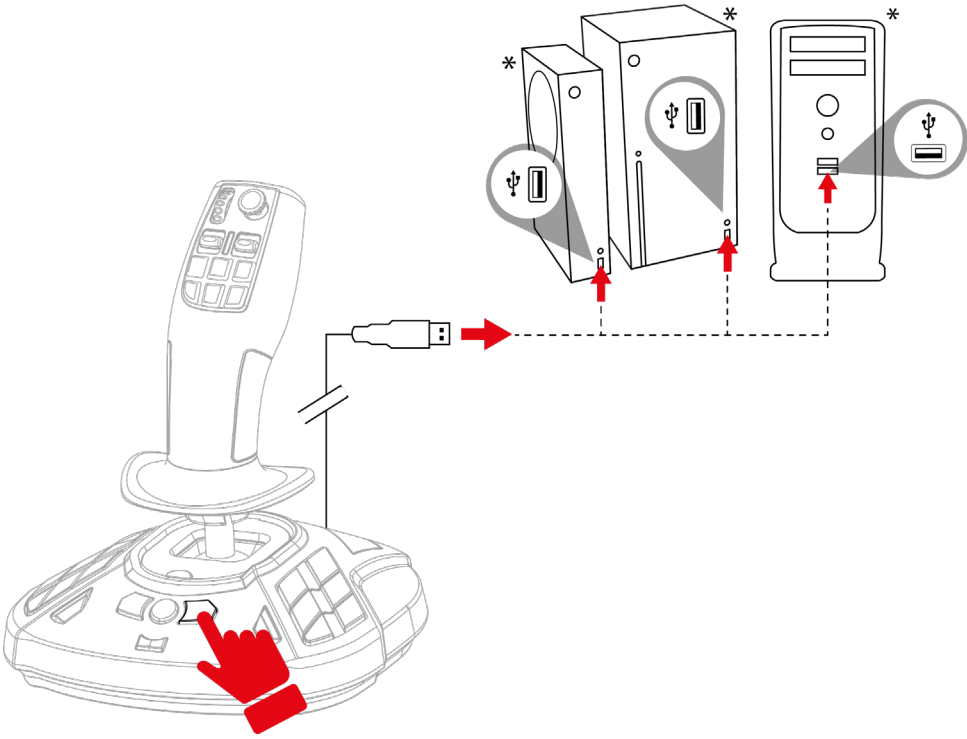
*\*ürünle verilmez*



Joystick'i SAĞ EL moduna sıfırlamak için:

1. SimTask FarmStick'inizi Xbox Series X|S veya PC'ye bağlarken 16 numaralı düğmeye (PC'de) veya Sonraki düğmesine (Xbox Series X|S'te) basıp basılı tutun.

Kol modu gösterge LED'i **6** beş saniye süreyle turuncu yanıp söner.



2. 16 numaralı düğmeyi (PC'de) veya Sonraki düğmesini (Xbox Series X|S'te) bırakın.



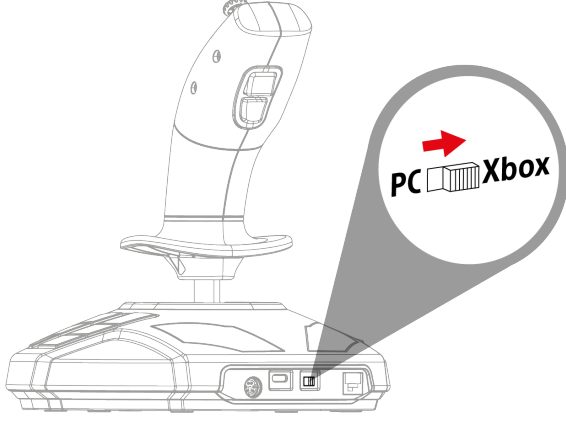
SAĞ EL modu SimTask FarmStick'in dahili belleğine otomatik olarak kaydedilir.

*\*ürünle verilmez*

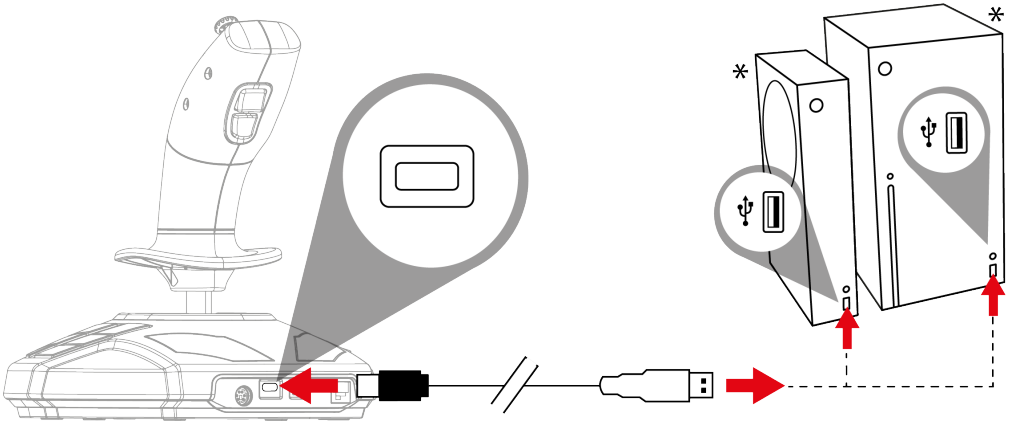


## 5. Xbox Series X|S'te Kurulum

1. Joystick'in arka kısmında bulunan düğmeyi **19** Xbox konumuna alın.



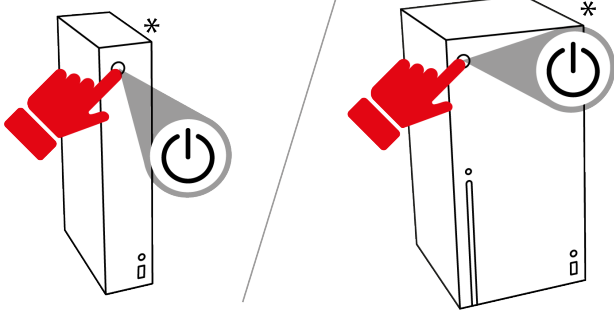
2. USB-C – USB-A kablosunu joystick'in USB-C portuna **18** ve konsolun\* USB-A portlarından birine takın.



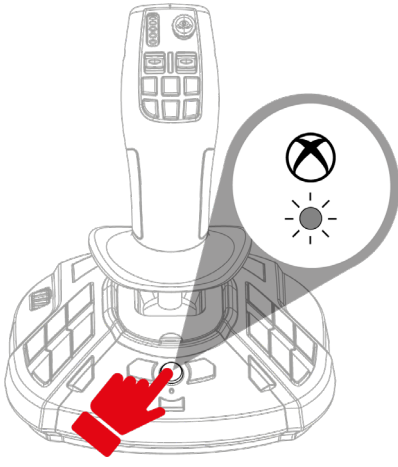
\*ürünle verilmez



3. Konsolunuzu açın.



4. Xbox düğmesine basın. Joystick'in gösterge ışığı beyaz yanar.



5. Uyumlu bir oyun başlatın.

Artık oynamaya hazırsınız!

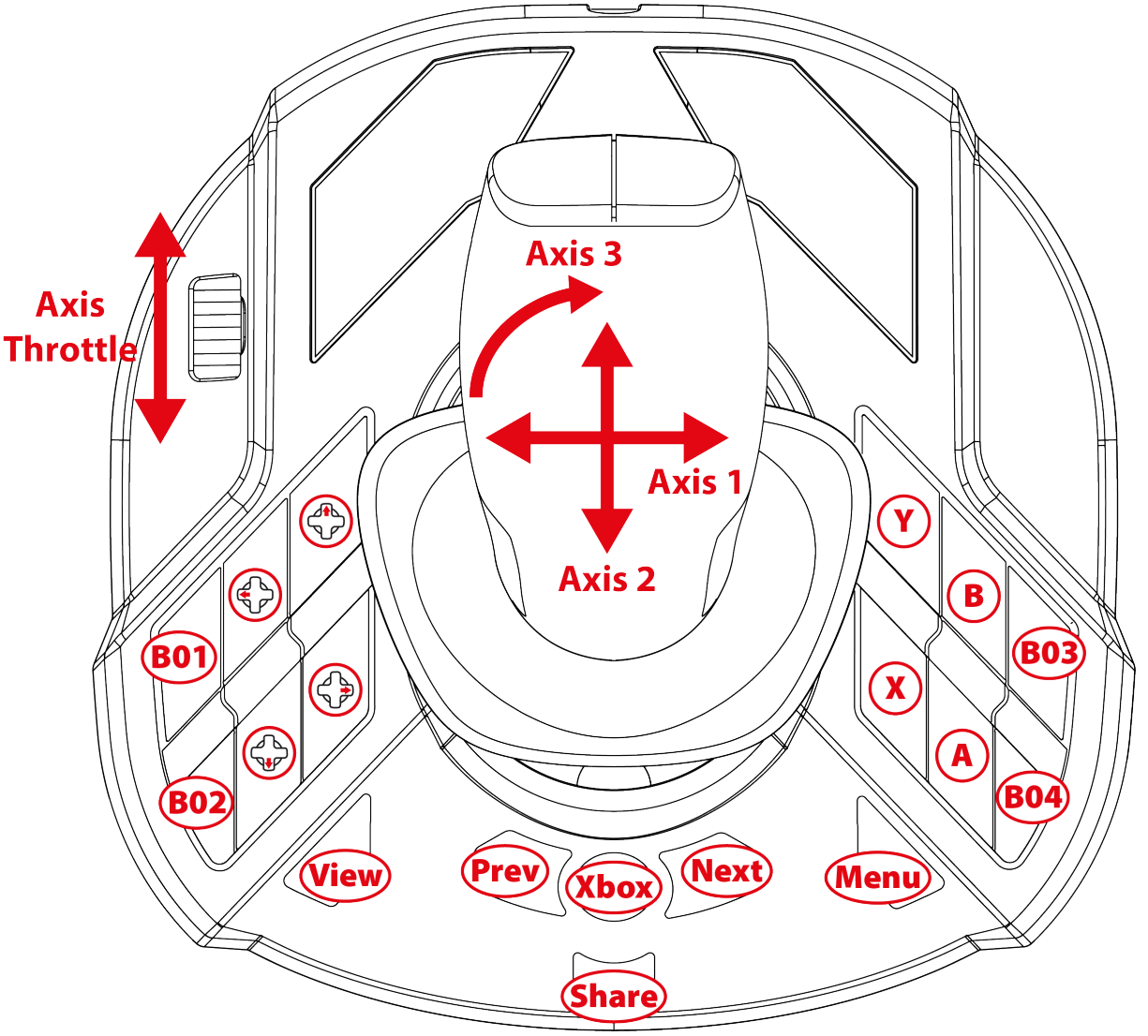


Joystick'inizi bağlarken her türlü kalibrasyon sorununu önlemek için kolu her zaman orta konumunda tutun, hareket ettirmeyin veya döndürmeyin.

*\*ürünle verilmez*



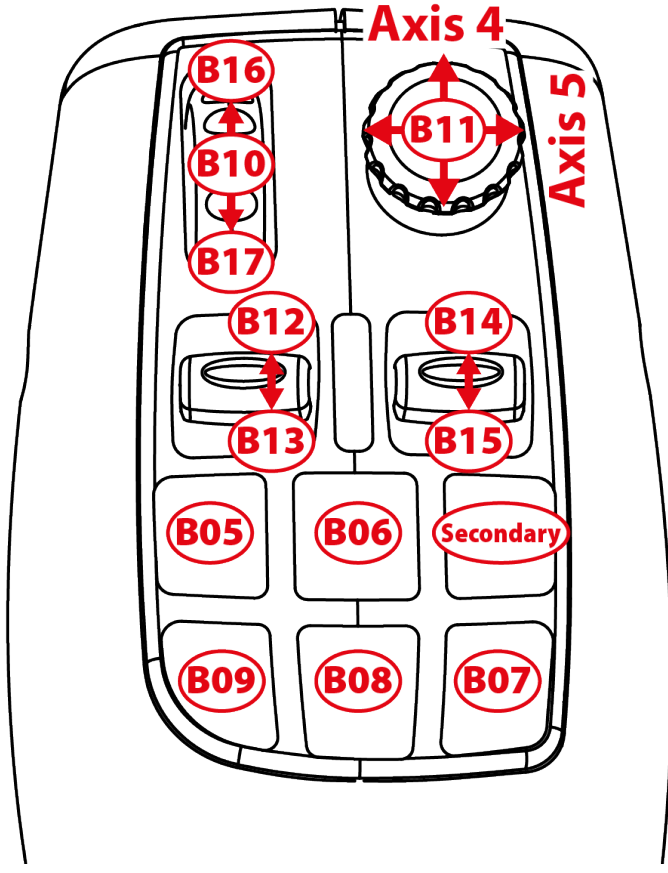
## 6. Xbox eşleştirmesi



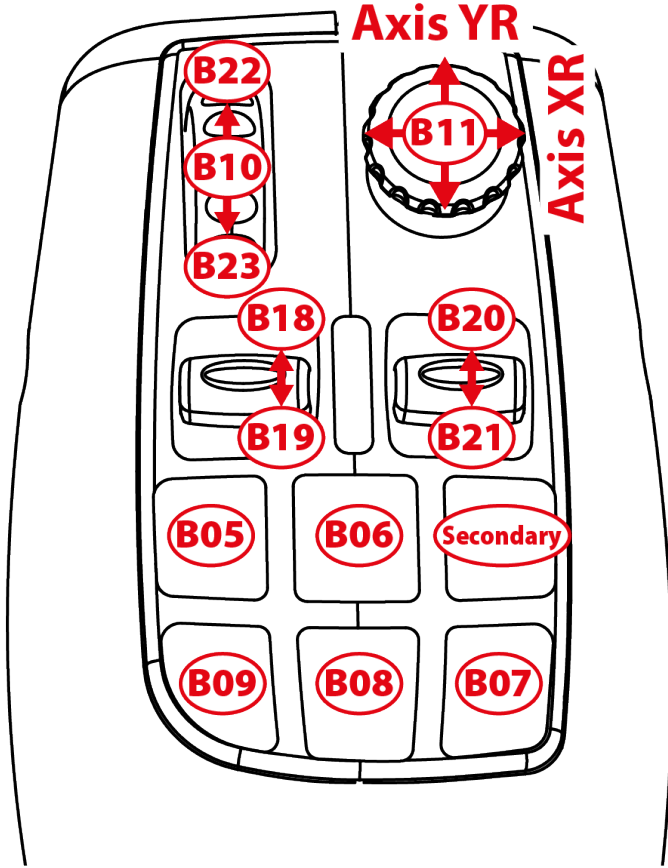
Eşleştirme sağ el ve sol el modlarında aynıdır.

Sağ el (varsayılan) / sol el modu **şu** prosedür izlenerek seçilebilir. Aynı anda iki joystick kullanırken bu mod bunları ayırt etmenize yardımcı olur.

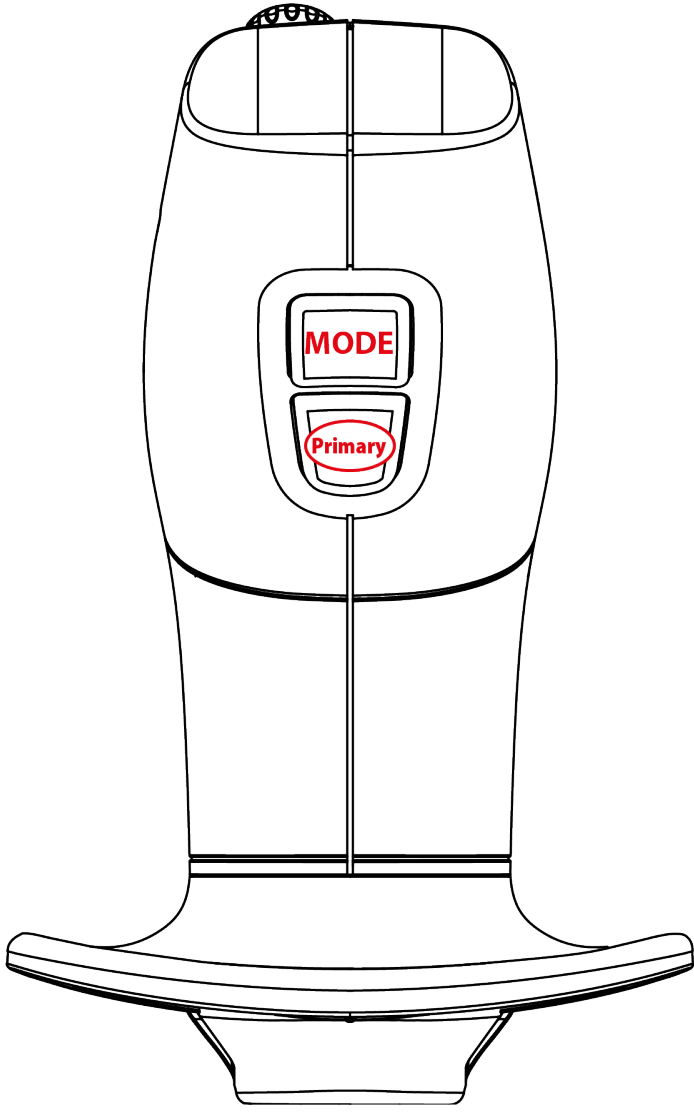




**Sürüş modü**



**Çalışma modü**





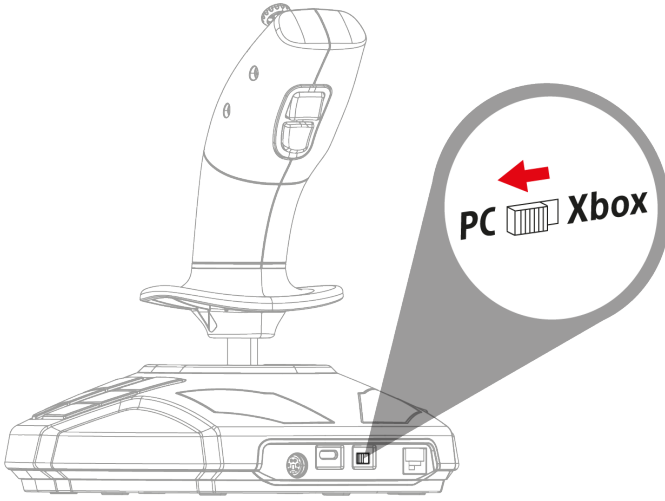
## 7. PC'de Kurulum

1. Lütfen şu adresi ziyaret edin:

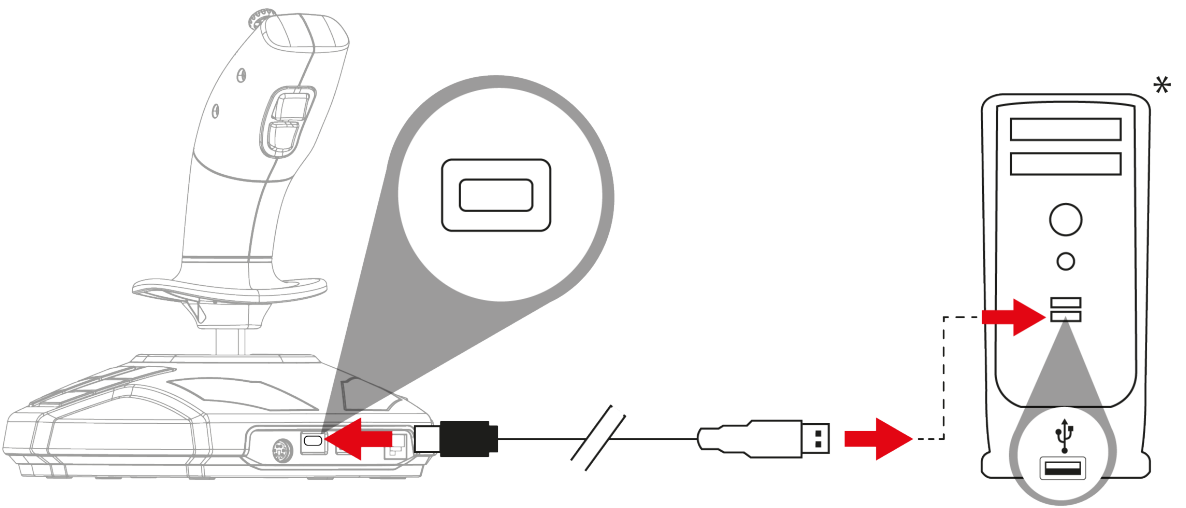
<https://support.thrustmaster.com/product/simtask-farmstick-x/>.

2. PC sürücüsünü ve Windows denetim masası için özel arayüzünü indirip yükleyin.

3. PC sürücüsü yüklendikten sonra joystick'in arka kısmındaki düğmeyi **19** PC konumuna alın.



4. USB-C – USB-A kablosunu joystick'in USB-C portuna **18** ve PC'nin\* USB-A portlarından birine takın.



\*ürünle verilmez



5. **Başlat / Ayarlar / Denetim Masası**'nı seçin ve **Oyun Kumandaları**'na çift tıklayın. **Oyun Kumandaları** iletişim kutusu, joystick'in adını **OK** durumunda gösterir.

6. Tüm özellikleri test etmek ve görmek için **Denetim Masası** penceresinde **Özellikler**'e tıklayın. Sağ el modu (varsayılan) veya sol el modunu da seçebilirsiniz.

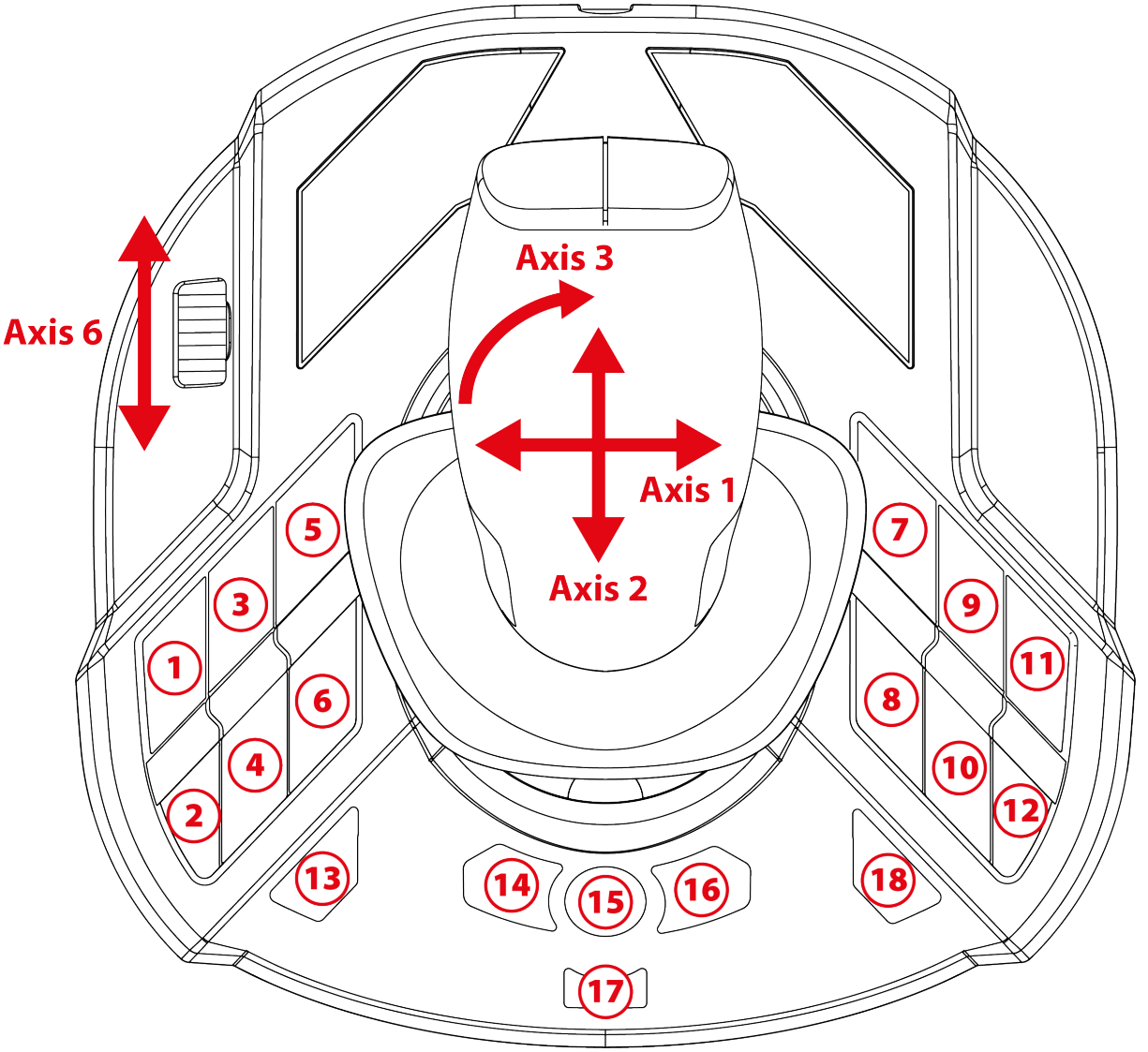
Artık oynamaya hazırsınız!



Joystick'inizi bağlarken her türlü kalibrasyon sorununu önlemek için kolu her zaman orta konumunda tutun, hareket ettirmeyin veya döndürmeyin.

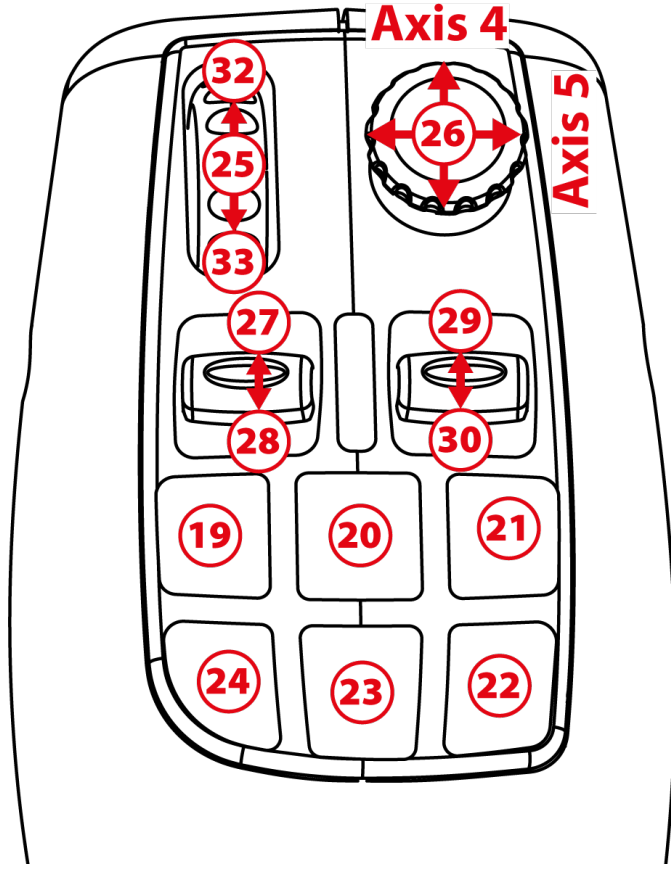


## 8. PC eşleştirmesi

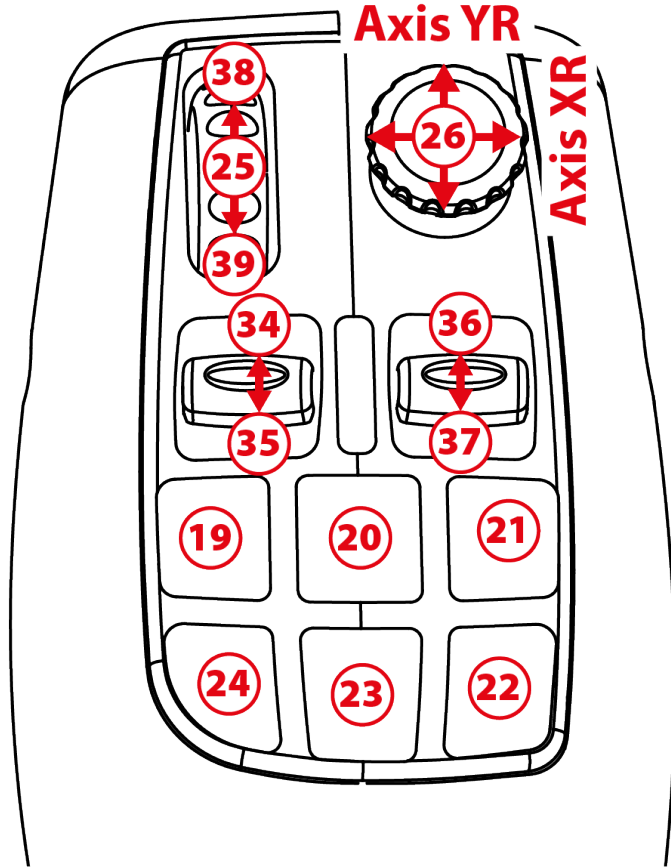


Eşleştirme sağ el ve sol el modlarında aynıdır.

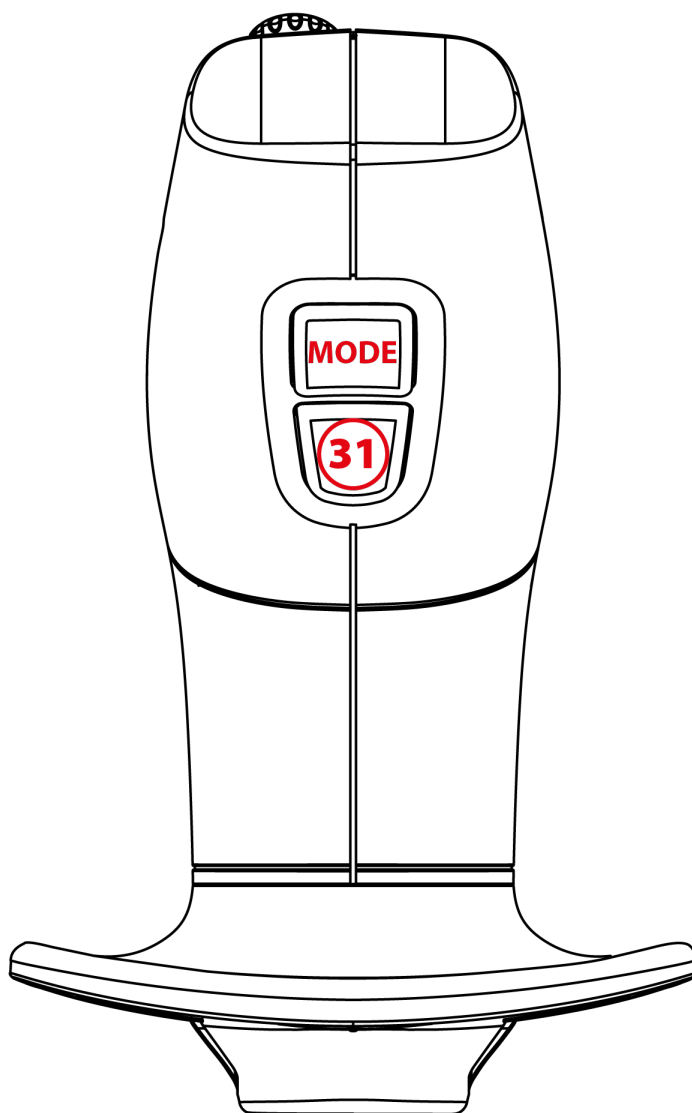
Sağ el (varsayılan) veya sol el modu **şu** prosedür izlenerek veya **Denetim Masası**'nda seçilebilir. Aynı anda iki joystick kullanırken bu mod bunları ayırt etmenize yardımcı olur.



**Sürüş modü**



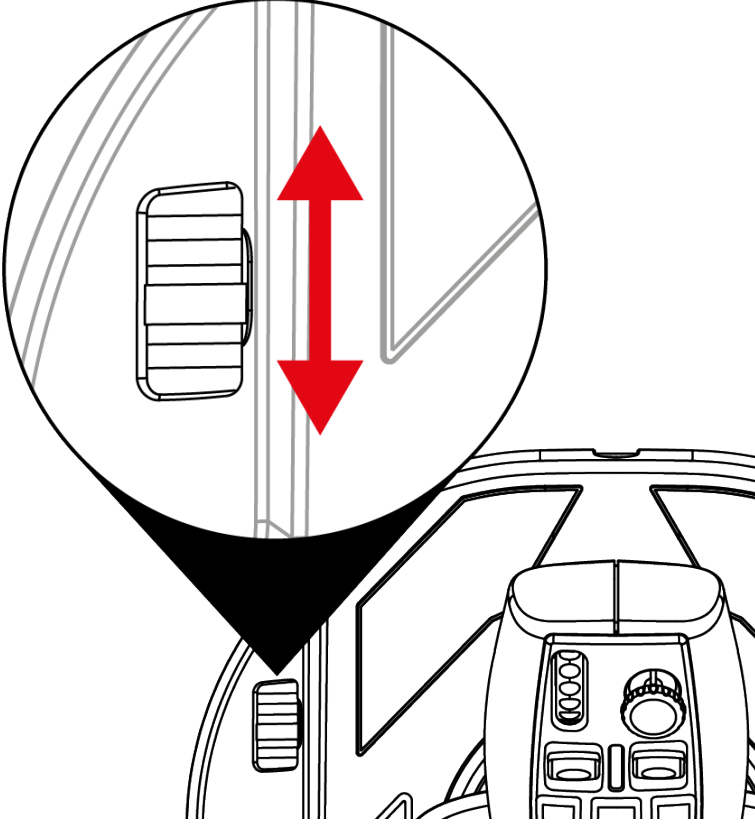
**Çalışma modü**





## 9. Gaz kolu

Joystick'inizde motor devrini kolayca kontrol etmenizi sađlayan bir gaz kolu 8 bulunur.



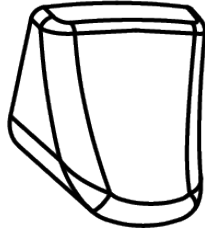




## 10. Deęiřtirilebilir tetik

Joystick'iniz deęiřtirilebilir bir eylem tetięi 16 iermekte olup farklı oyun ergonomileri saęlar.

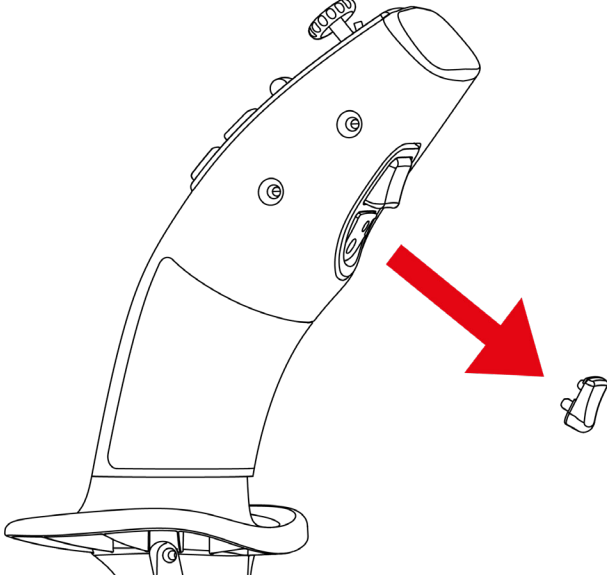
Standart olarak takılı olan tetik, uuř simlasyonuna uygun bir tetikle (SimTask FarmStick ile verilir) deęiřtirilebilir.



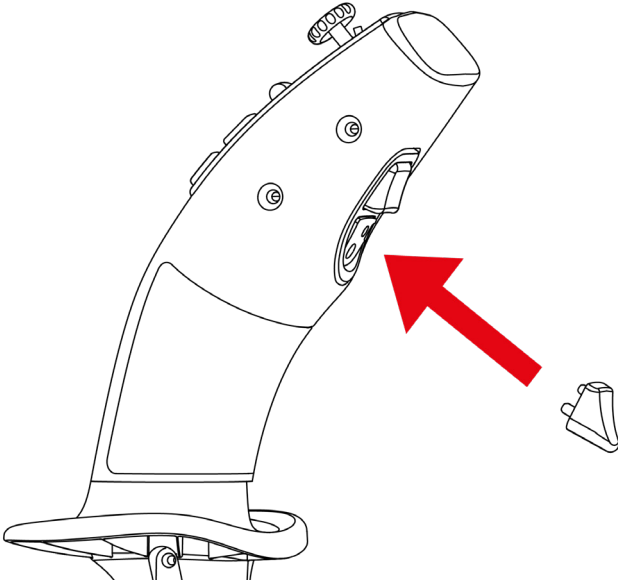


Tetiđi deđiřtirmek iin:

1. Parmaklarınızı tetiđin iki tarafından birine yerleřtirin ve dikkatlice ekin.



2. Yeni tetiđi uygun montaj konumuna takın.



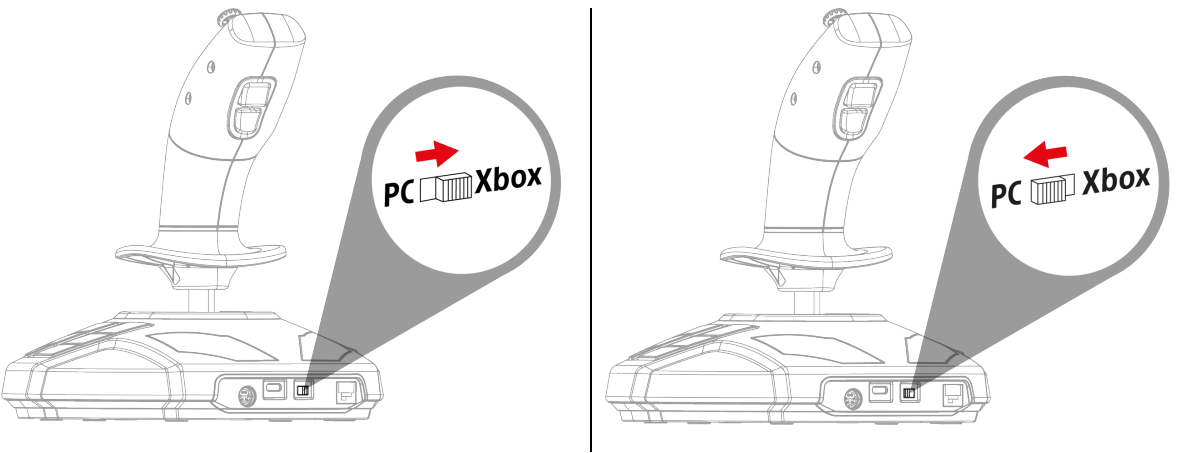
Merkezeleme pimleri kolda kendi yerlerine gemelidir. Pimlere zarar verebileceđi iin tetiđi sokmaya zorlamayın.



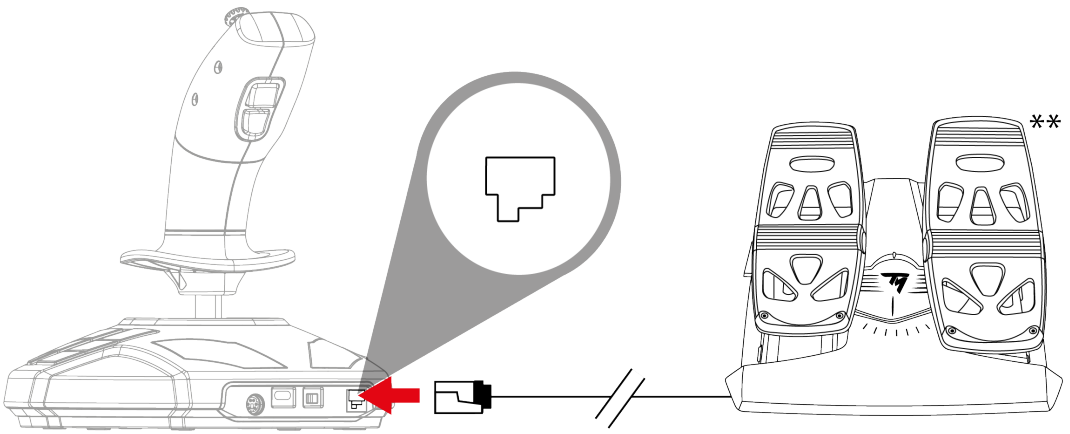
# 11. Xbox Series X|S\* veya PC'de\* TFRP dümenle\*\* kurulum

TFRP\*\* dümen SimTask FarmStick'e takılır.

1. Joystick'in arka kısmında bulunan düğmeyi 19 Xbox veya PC konumuna alın.

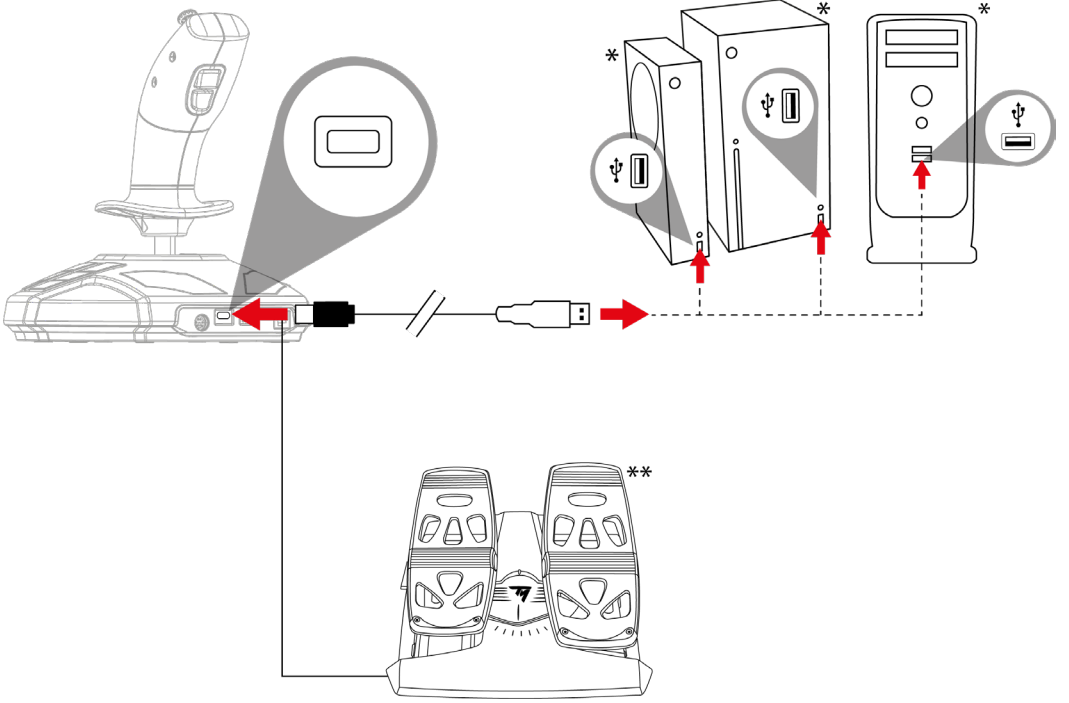


2. TFRP dümenin\*\* RJ12 kablosunu joystick'in arka kısmındaki RJ12 portuna 20 takın.



\*ürünle verilmez / \*\*ayrı olarak satılır

3. USB-C – USB-A kablosunu joystick'in USB-C portuna 18 ve konsolun\* veya PC'nin\* USB-A portuna takın.



- Joystick'inizi bağlarken her türlü kalibrasyon sorununu önlemek için kolu her zaman orta konumunda tutun, hareket ettirmeyin veya döndürmeyin.
- Dümeninizi joystick'e bağlarken: Her türlü kalibrasyon sorununu önlemek için daima dümen eksenini merkez pozisyonda tutun ve ayaklarınızı dümen pedallarına koymayın.

\*ürünle verilmez / \*\*ayrı olarak satılır



## 12.SSS ve teknik destek

### *Joystick düzgün çalışmıyor ya da uygun kalibre edilmemiş gözüküyor.*

- Konsolunuzu veya bilgisayarınızı kapatın ve joystick'inizi ayırın; ardından konsolunuzu veya bilgisayarınızı yeniden açın, joystick'inizi tekrar bağlayın ve oyununuzu yeniden başlatın.
- Joystick'inizi bağlarken: Her türlü kalibrasyon sorununu önlemek için kolu her zaman orta konumunda tutun, hareket ettirmeyin veya döndürmeyin.
- Dümeninizi joystick'e bağlarken: Her türlü kalibrasyon sorununu önlemek için daima dümen eksenini merkez pozisyonda tutun ve ayaklarınızı dümen pedallarına koymayın.



## ***Joystick'imi ayarlayamıyorum.***

- Oyununuzun **Seenekler / Kumanda Birimi / Oyun Kumandası** veya **Joystick** menüsünden: Uygun konfigürasyonu seçin veya kumanda seeneklerini komple yeniden ayarlayın.
- Daha fazla bilgi için lütfen oyununuzun kullanma kılavuzuna veya online yardıma başvurun.



## *Joystick'im çok hassas veya yeterince hassas değil.*

- Joystick'iniz farklı eksenlerde birkaç hareket yaptığınızda kendini bağımsız olarak kalibre eder.
- Oyununuzun **Seçenekler / Kumanda Birimi / Oyun Kumandası** veya **Joystick** menüsünden: Joystick'iniz için hassasiyet ve ölü bölgeleri ayarlayın (bu seçenekler mevcutsa).

SimTask FarmStick ile ilgili sorularınız mı var veya teknik sorunlarla mı karşılaştınız? Öyleyse Thrustmaster teknik destek sitesini ziyaret edin:

<https://support.thrustmaster.com/product/simtask-farmstick-x/>.



# **THRUSTMASTER®**



# **SIMTASK FARMSTICK**

**XBOX SERIES X|S – PC**

## **Instrukcja obsługi**



**Przed** zainstalowaniem urządzenia, **przed** każdym jego użyciem i **przed** wykonaniem jakichkolwiek czynności konserwacyjnych **uważnie przeczytaj** wskazówki zawarte w niniejszej instrukcji. Koniecznie przestrzegaj wskazówek dotyczących bezpieczeństwa. Nieprzestrzeganie tych wskazówek może prowadzić do wypadków i/lub uszkodzeń. Zachowaj tę instrukcję do ewentualnego użycia w przyszłości.



# SPIS TREŚCI

1.	ZAWARTOŚĆ OPAKOWANIA.....	5
2.	ELEMENTY .....	6
3.	INFORMACJE DOTYCZĄCE KORZYSTANIA .....	9
4.	INFORMACJE NA TEMAT JOYSTICKA ...	12
	<i>W skrócie.....</i>	<i>12</i>
	<i>Precyzyjna technologia H.E.A.R.T. (HallEffect AccuRate Technology) .....</i>	<i>13</i>
	<i>Tryb jazdy i tryb pracy .....</i>	<i>14</i>
	<i>Obrotowy uchwyt .....</i>	<i>17</i>
	<i>Minidrażek widoku .....</i>	<i>18</i>
	<i>Opcje łączności joysticka SimTask FarmStick na konsoli Xbox Series X S* i komputerze PC* .....</i>	<i>19</i>
	<i>Konfiguracja joysticka dla osób prawo- i leworęcznych.....</i>	<i>21</i>

<b>5. INSTALACJA NA KONSOLI XBOX</b>	
<b>SERIES X S .....</b>	<b>24</b>
<b>6. MAPOWANIE NA KONSOLI XBOX.....</b>	<b>26</b>
<b>7. INSTALACJA NA KOMPUTERZE PC .....</b>	<b>29</b>
<b>8. MAPOWANIE NA KOMPUTERZE PC .....</b>	<b>31</b>
<b>9. PRZEPUSTNICA .....</b>	<b>34</b>
<b>10. WYMIENNY SPUST.....</b>	<b>35</b>
<b>11. INSTALACJA NA KONSOLI XBOX SERIES</b>	
<b>X S* LUB KOMPUTERZE PC* ZE STEREM</b>	
<b>KIERUNKU TFRP** .....</b>	<b>37</b>
<b>12. CZĘSTO ZADAWANE PYTANIA I POMOC</b>	
<b>TECHNICZNA.....</b>	<b>39</b>

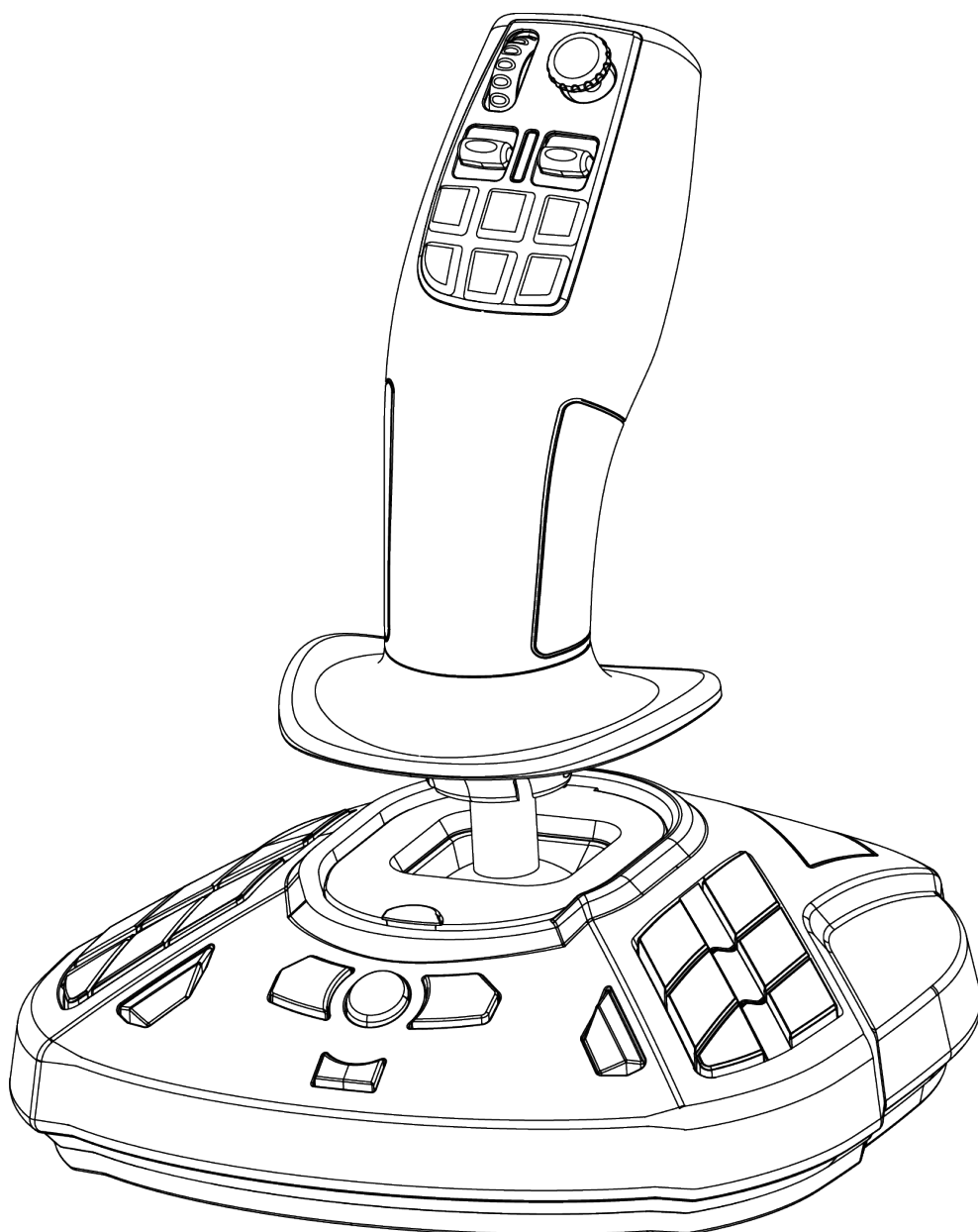


Joystick SimTask FarmStick firmy Thrustmaster to urządzenie idealnie przystosowane do obsługi maszyn rolniczych i budowlanych. SimTask FarmStick może także służyć jako joystick do symulacji lotniczych.

Niniejsza instrukcja pomoże Ci w optymalnej instalacji i eksploatacji joysticka SimTask FarmStick. Zanim rozpoczniesz, uważnie zapoznaj się ze wszystkimi przedstawionymi tu wskazówkami i ostrzeżeniami, które pomogą Ci czerpać maksymalną przyjemność z użytkowania urządzenia.

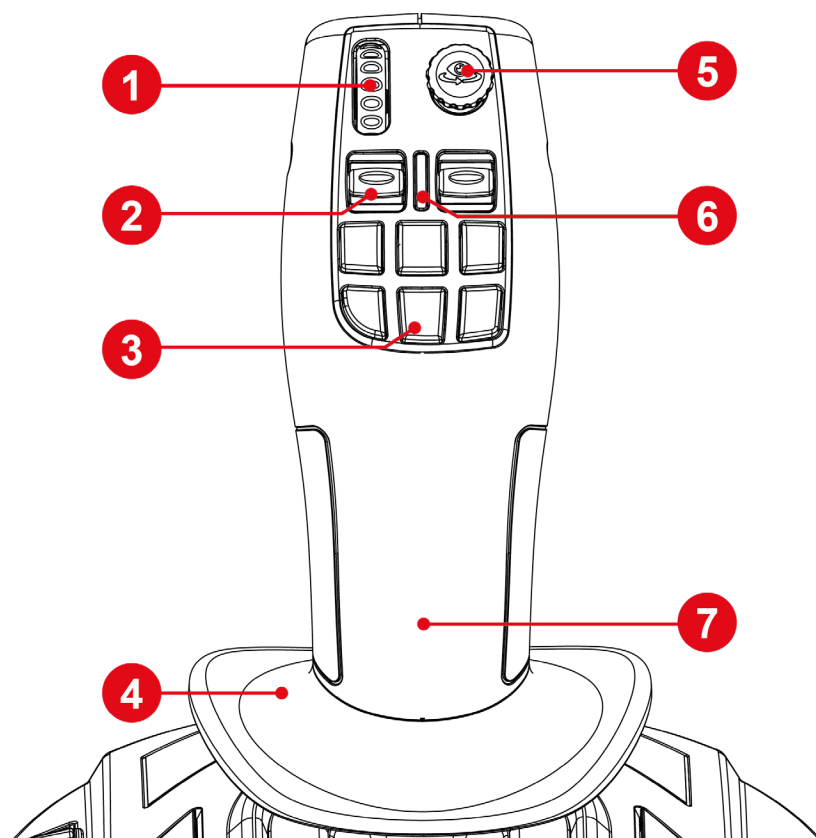


# 1. Zawartość opakowania

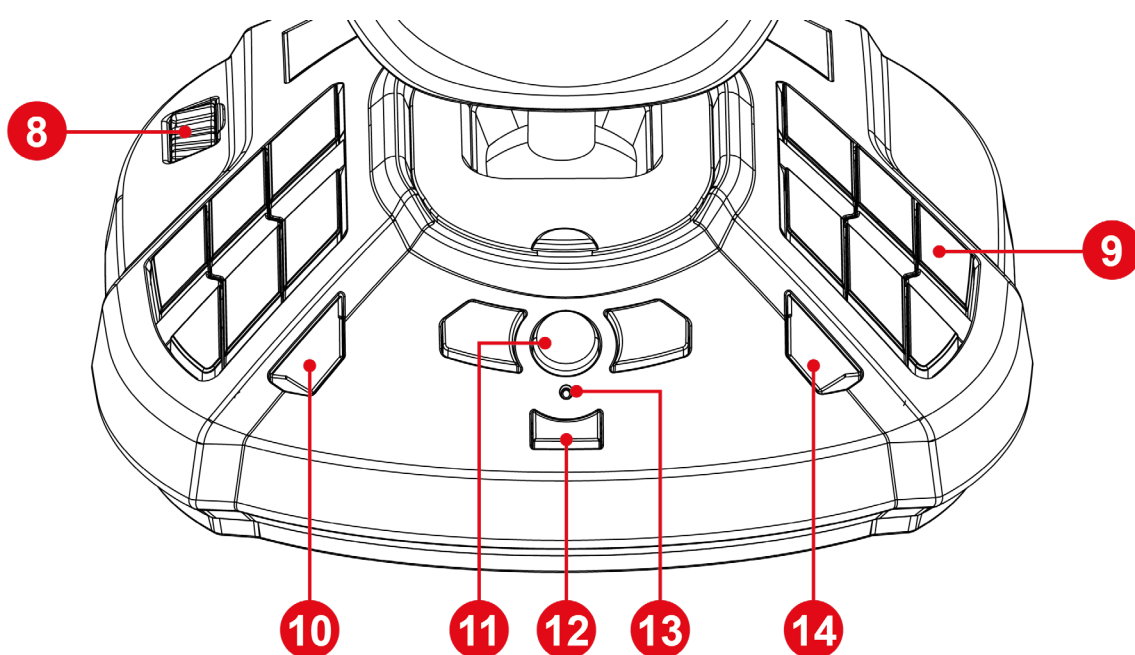




## 2. Elementy



1. Pokrętło kciukowe
2. Przełącznik kołyskowy
3. Przyciski szybkich czynności
4. Podpórka dłoni
5. Minidrażek widoku
6. Diodowy wskaźnik trybu drażka
7. Oburęczny uchwyt



8. Przepustnica

9. Programowalne przyciski czynności

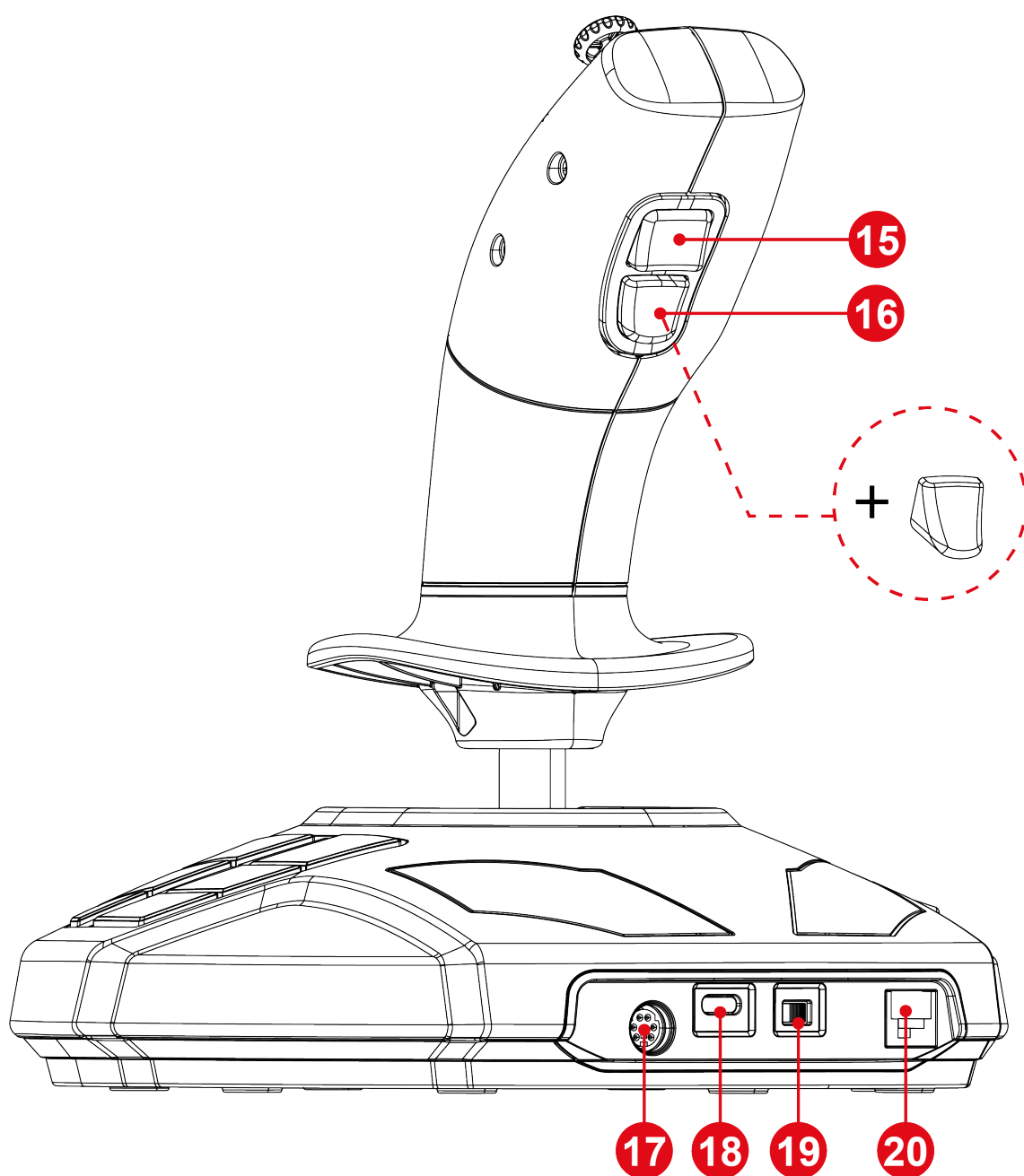
10. Przycisk View (Podgląd)

11. Przycisk Xbox

12. Przycisk Share (Udostępnij)

13. Kontrolka

14. Przycisk Menu



- 15. Przycisk zmiany trybu drążka
- 16. Wymienny spust do wyzwalania czynności
- 17. Port DIN na akcesoria dodatkowe\*
- 18. Port USB-C
- 19. Wybierak Xbox/PC
- 20. Port RJ12 na ster kierunku TFRP\*

\* do nabycia osobno



### 3. Informacje dotyczące korzystania



#### **Dokumentacja**

Zanim rozpocznie korzystanie z urządzenia, jeszcze raz uważnie zapoznaj się z tym dokumentem, a następnie zachowaj go do wglądu.





## **Porażenie prądem elektrycznym**

- Przechowuj urządzenie w suchym miejscu i nie wystawiaj go na działanie kurzu ani światła słonecznego.
- Przestrzegaj kierunków połączeń.
- Nie skręcaj ani nie naciągaj złączy ani kabli.
- Nie wylewaj cieczy na urządzenie ani jego złącza.
- Nie zwieraj urządzenia.
- Nie demontuj urządzenia, nie wrzucaj go do ognia ani nie narażaj na działanie wysokich temperatur.
- Nie otwieraj urządzenia: w jego wnętrzu nie ma części przeznaczonych do naprawiania przez użytkownika. Naprawy może wykonywać wyłącznie producent, wskazany przedstawiciel lub wykwalifikowany serwisant.



### **Zabezpieczenie strefy grania**

- Nigdy nie umieszczaj w strefie grania przedmiotów, które mogą zakłócić czynności użytkownika albo wywołać nieodpowiedni ruch lub przerwę ze strony innej osoby (takich jak kubek z kawą, telefon czy klucze).
- Nie zakrywaj kabli zasilania dywanem, chodnikiem, kocem, narzutą ani innym przedmiotem oraz nie umieszczaj żadnych kabli w miejscach, w których ktoś może chodzić.



## 4. Informacje na temat joysticka

### *W skrócie*

- 33 przyciski i 6 przycisków wirtualnych, w tym pokrętło kciukowe i dwa przełączniki kołyskowe
- 6 osi, w tym minidrażek, obrót uchwytu joysticka i przepustnica
- Diodowy wskaźnik trybu drażka
- Technologia H.E.A.R.T. (HallEffect AccuRate Technology)
- Połączenie przez port USB-A
- Przepustnica
- Port RJ12 na ster kierunku TFRP\*

*\* do nabycia osobno*



## ***Precyzyjna technologia H.E.A.R.T. (HallEffect AccuRate Technology)***

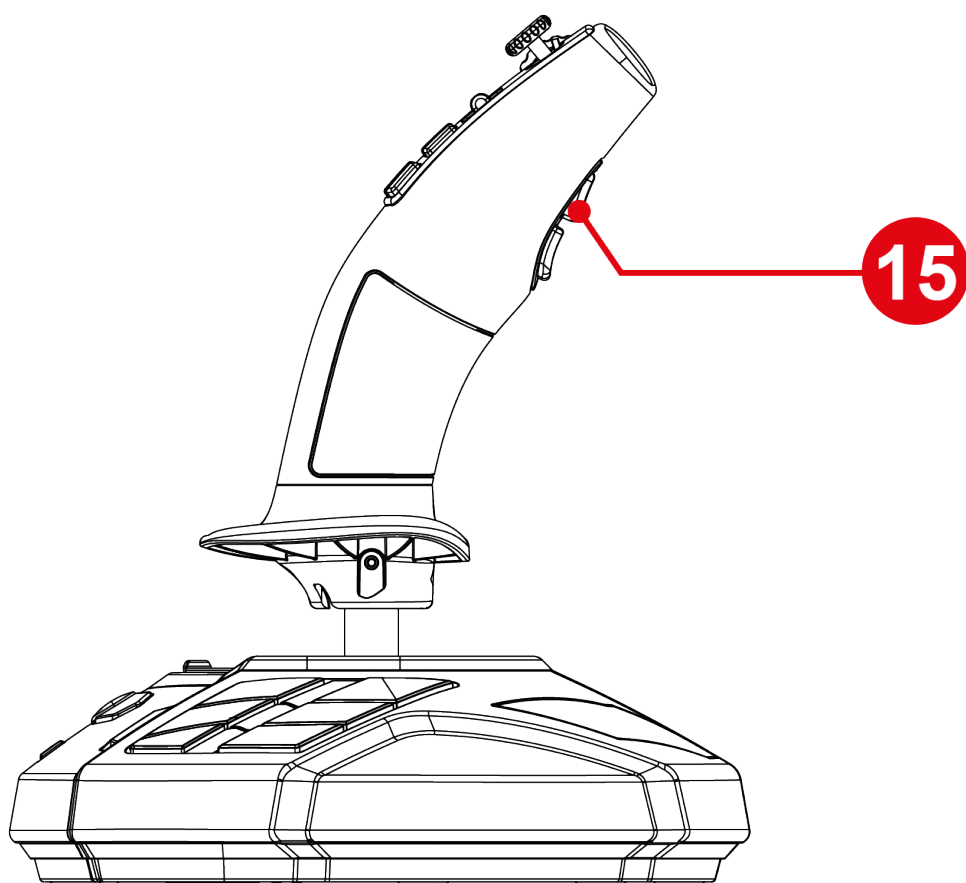
Dzięki wyjątkowym rozwiązaniom technicznym joystick SimTask FarmStick charakteryzuje się precyzją niespotykaną obecnie w innych joystickach do gier:

- Drażek zawiera trójwymiarowe czujniki magnetyczne (z efektem Halla) o rozdzielczości umożliwiającej odczyt ponad 268 milionów wartości na osiach X i Y (16 384 x 16 384 wartości).
- Magnes: brak tarcia zapewniający najwyższą precyzję i zaskakująco szybką reakcję, które nie zmieniają się z upływem czasu.
- Sprężyna śrubowa w drążku (2,8 mm): pewna, liniowa i superpłynna zmiana naprężenia.



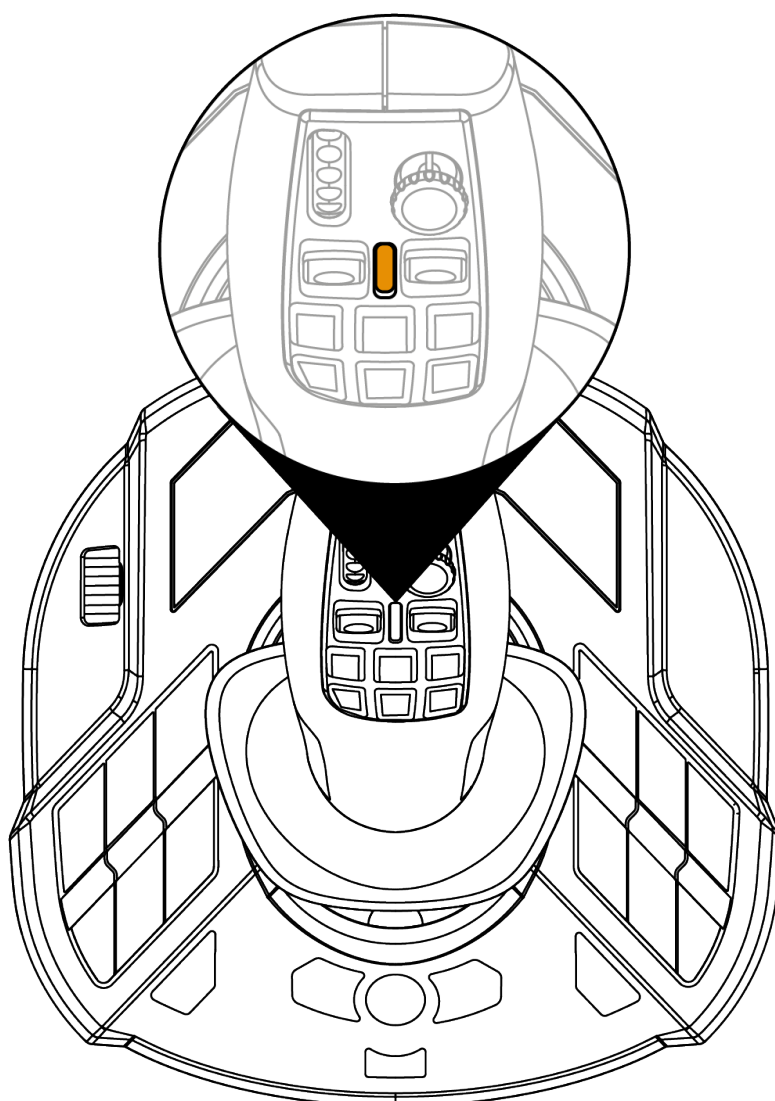
## Tryb jazdy i tryb pracy

Przycisk **15** umożliwia przełączanie się między trybem **jazdy** i trybem **pracy**.



Element ten poszerza zakres czynności, które można wykonywać kciukiem, czyli przy użyciu pokrętki kciukowego **1** i obu przełączników kołyskowych **2**.

Przełączenie trybu powoduje zmianę czynności związanej z pokrętką kciukowym **1** i obydwoma przełącznikami kołyskowymi **2**.



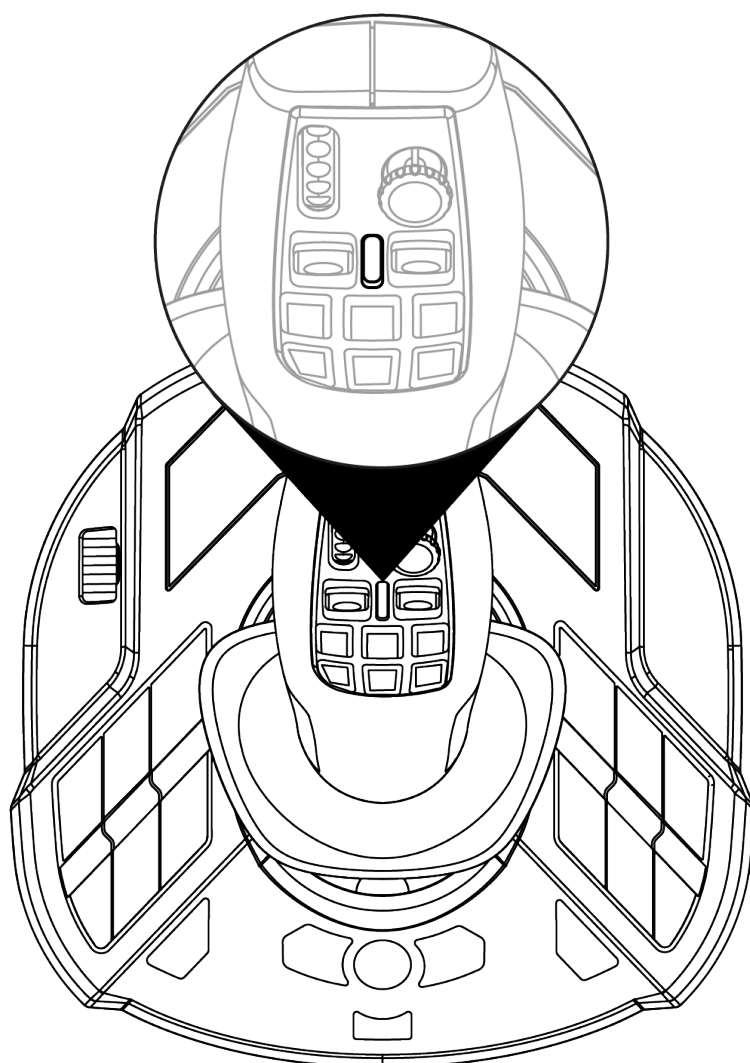
### Tryb jazdy (domyślny)

W trybie **jazdy** diodowy wskaźnik trybu drążka ⑥ świeci na pomarańczowo.



W trybie **jazdy** do pokrętła kciukowego ① i przełączników kołyskowych ② mogą być przypisane następujące czynności:

- Pokrętło kciukowe: sterowanie nastawą regulatora
- Przełączniki kołyskowe: obsługa skrzyni biegów



## Tryb pracy

W trybie pracy diodowy wskaźnik trybu drążka ⑥ świeci na biało.



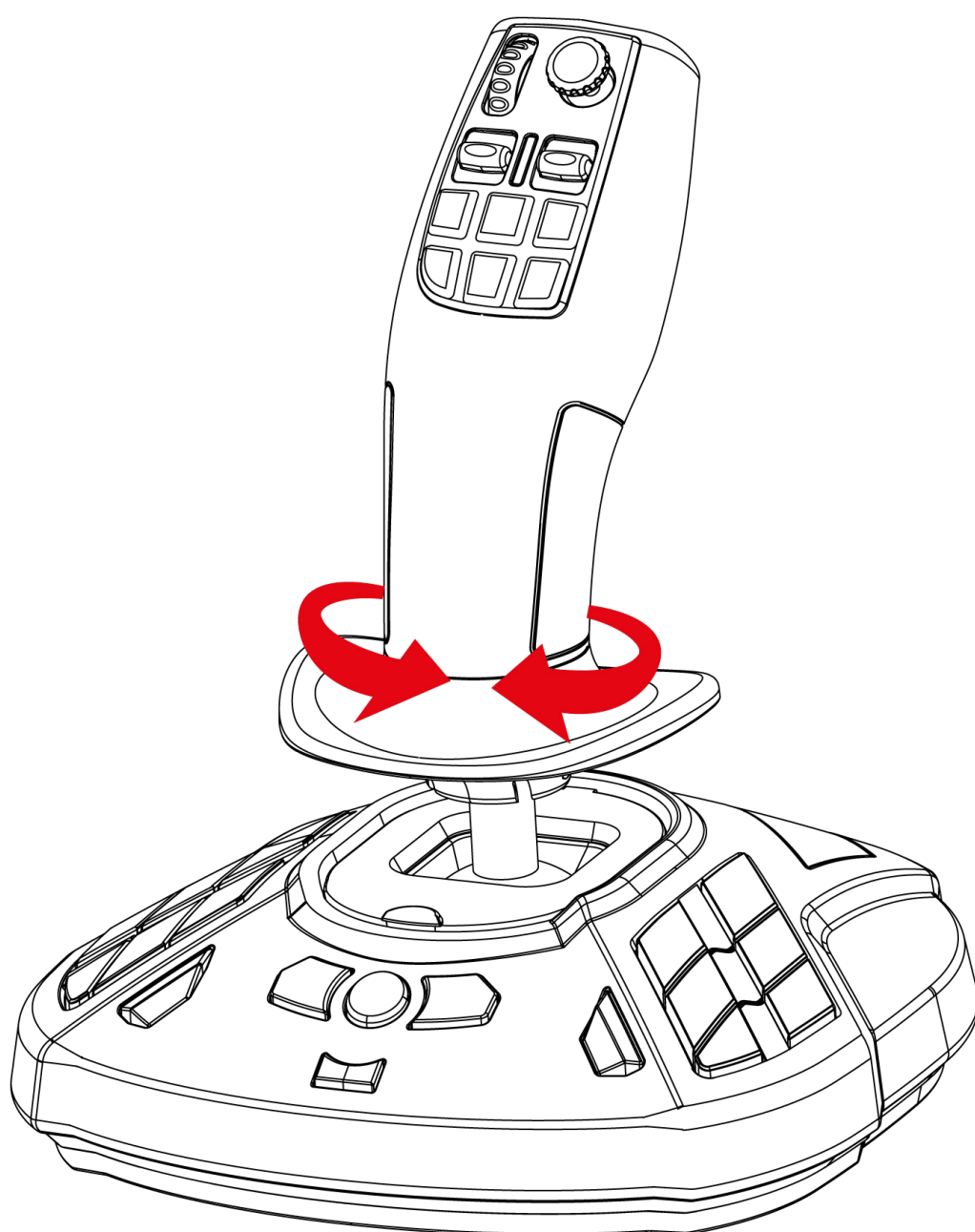
W trybie **pracy** do pokrętła kciukowego ① i przełączników kołuskowych ② mogą być przypisane następujące czynności:

- Pokrętło kciukowe: sterowanie stopniem zbliżenia kamery
- Przełączniki kołuskowe: sterowanie ramieniem dźwigu lub ładowarką



## *Obrotowy uchwyt*

Joystick SimTask FarmStick jest wyposażony w uchwyt, który obraca się wokół osi poziomej. Przydaje się to na przykład podczas manewrowania głowicą dźwigu lub koparką.

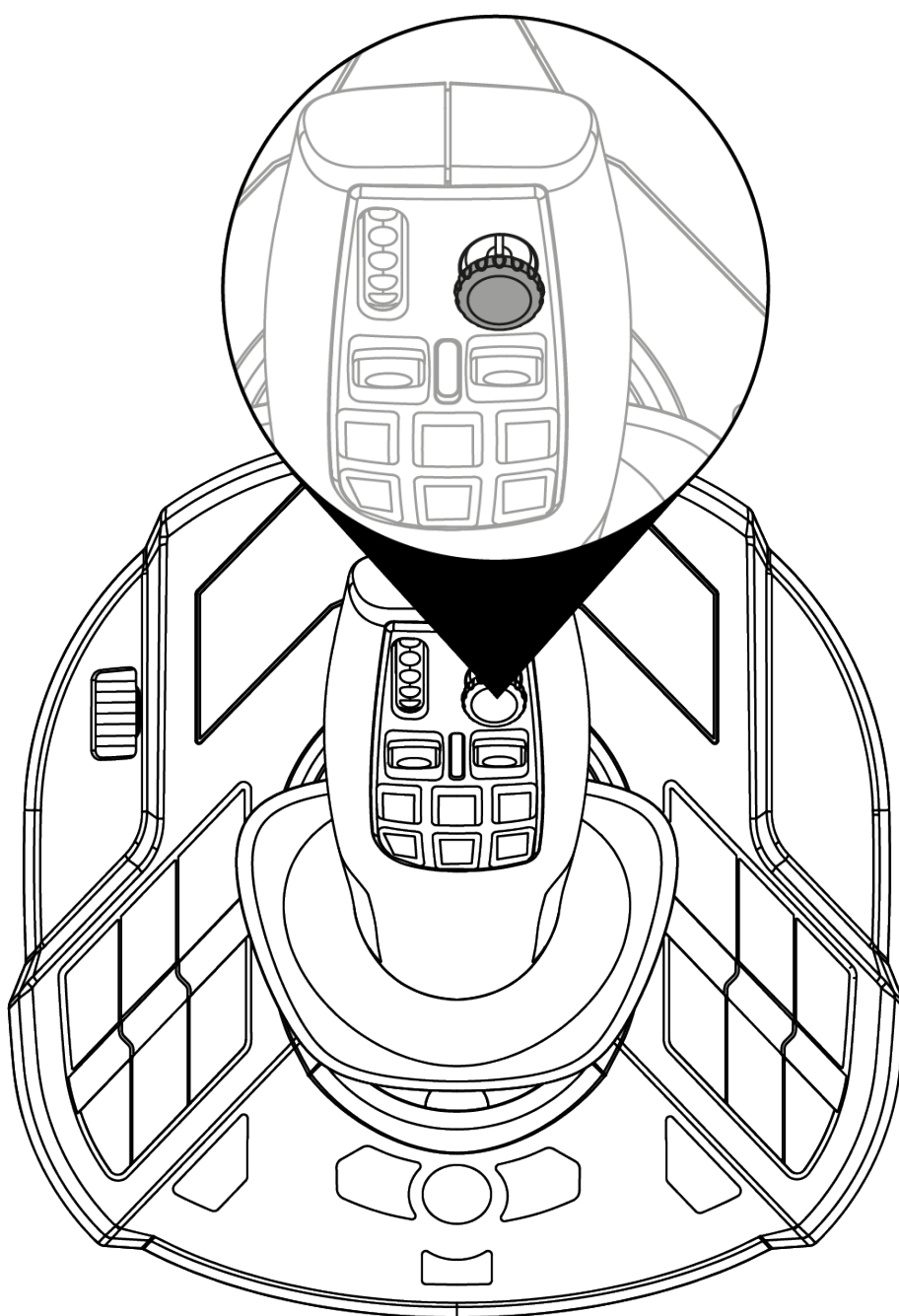






## *Minidrażek widoku*

Joystick SimTask FarmStick jest wyposażony w minidrażek widoku ⑤, za pomocą którego można sprawdzić, co się znajduje w polu widzenia operatora maszyny.





## ***Opcje łączności joysticka SimTask FarmStick na konsoli Xbox Series X|S\* i komputerze PC\****

Joystick SimTask FarmStick jest wyposażony w sześć osi, a ponadto z tyłu zawiera port, do którego można podłączyć układ steru kierunku TFRP\*\*. W ten sposób użytkownik uzyskuje dwie dodatkowe osie, a także możliwość obsługi steru kierunku TFRP.

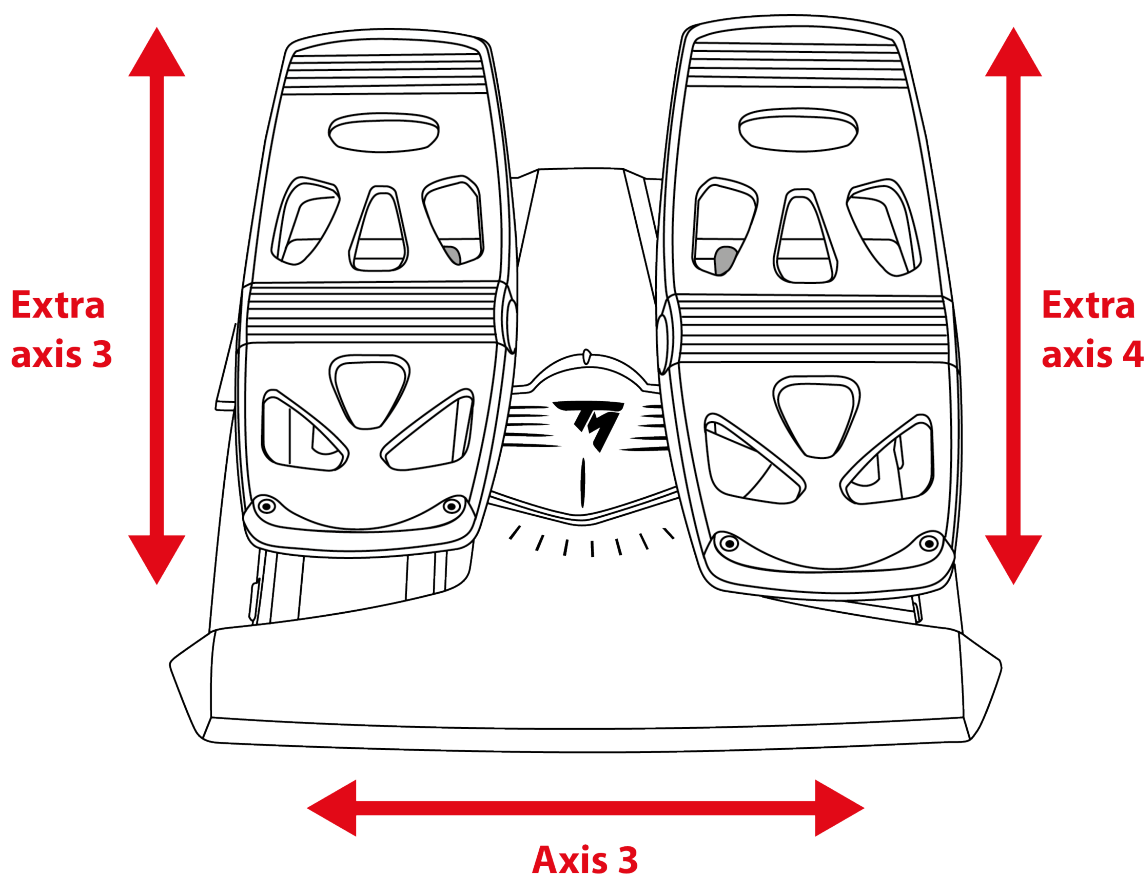


Ster kierunku TFRP jest jedynym urządzeniem obsługiwany na konsoli Xbox Series X|S i komputerze PC.

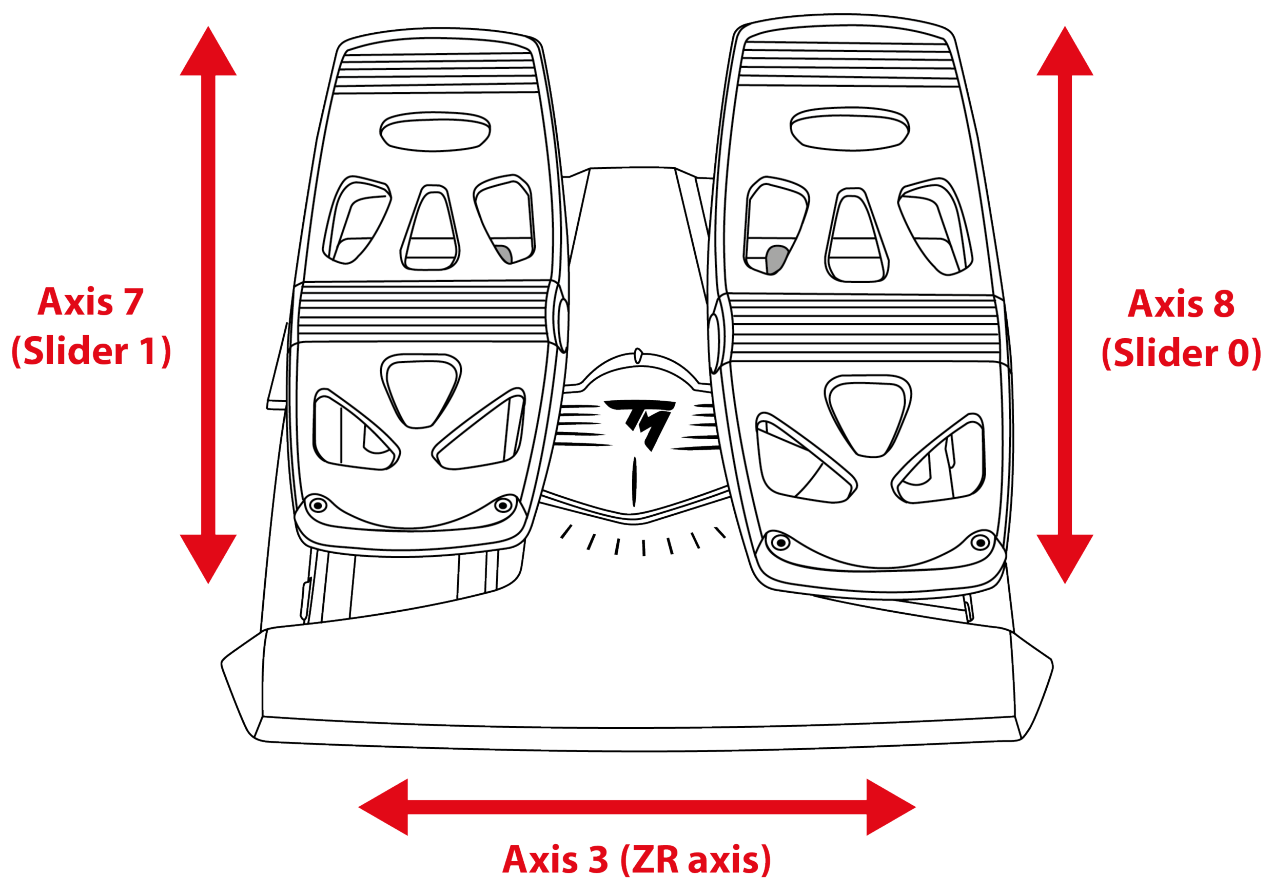
*\* nie wchodzi w skład zestawu / \*\* do nabycia osobno*



Mapowanie na konsoli Xbox:



Mapowanie na komputerze PC:





## *Konfiguracja joysticka dla osób praworęcznych i leworęcznych*

Joystick SimTask FarmStick ma konstrukcję oburęczną, która zapewnia komfortową obsługę osobom zarówno praworęcznym, jak i leworęcznym.

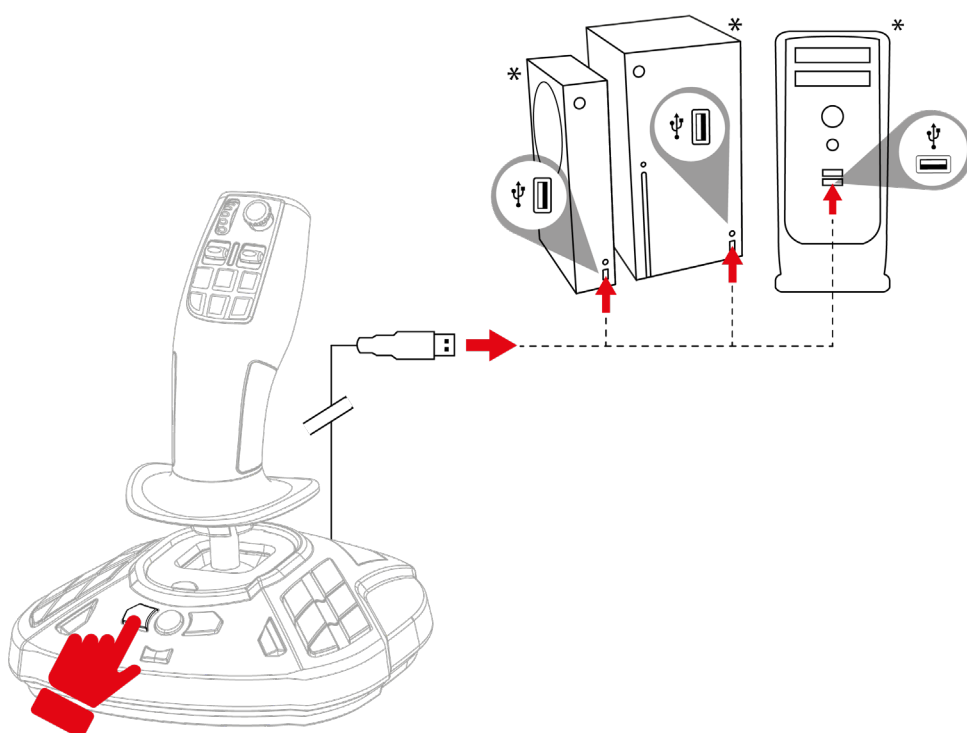
Standardowo joystick jest skonfigurowany w trybie praworęcznym.



Aby skonfigurować joystick w trybie LEWORECZNYM:

1. Naciśnij i przytrzymaj przycisk 14 (w przypadku komputera PC) lub Prev (w przypadku konsoli Xbox Series X|S) podczas podłączania joysticka SimTask FarmStick do konsoli Xbox Series X|S lub komputera PC.

Diodowy wskaźnik na drążku 6 będzie migał na biało przez pięć sekund.



2. Zwolnij przycisk 14 (komputer PC) lub Prev (konsola Xbox Series X|S).



Tryb LEWORECZNY zostanie automatycznie zapisany w pamięci wewnętrznej joysticka SimTask FarmStick.

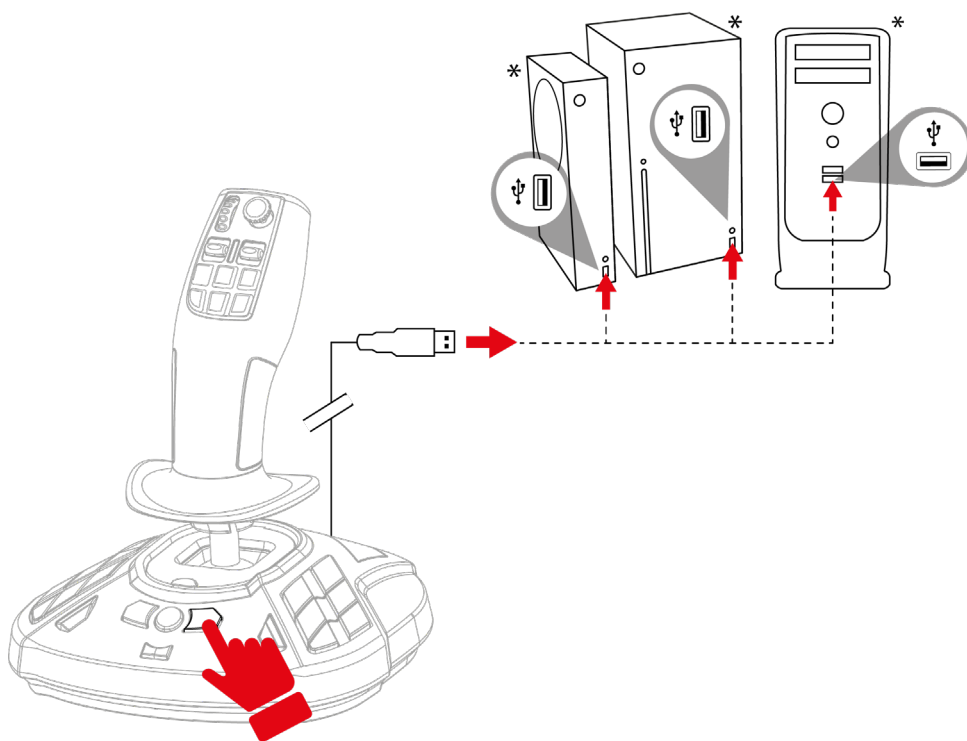
\* nie wchodzi w skład zestawu



Aby przywrócić joystick do trybu PRAWORECZNEGO:

1. Naciśnij i przytrzymaj przycisk 16 (w przypadku komputera PC) lub Next (w przypadku konsoli Xbox Series X|S) podczas podłączania joysticka SimTask FarmStick do konsoli Xbox Series X|S lub komputera PC.

Diodowy wskaźnik na drążku ⑥ będzie migał na pomarańczowo przez pięć sekund.



2. Zwolnij przycisk 16 (komputer PC) lub Next (konsola Xbox Series X|S).



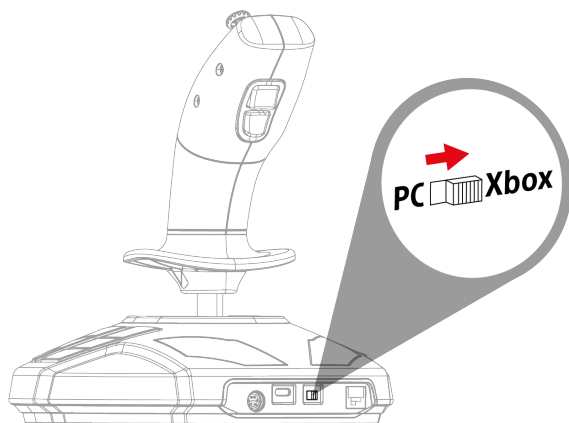
Tryb PRAWORECZNY zostanie automatycznie zapisany w pamięci wewnętrznej joysticka SimTask FarmStick.

\* *nie wchodzi w skład zestawu*

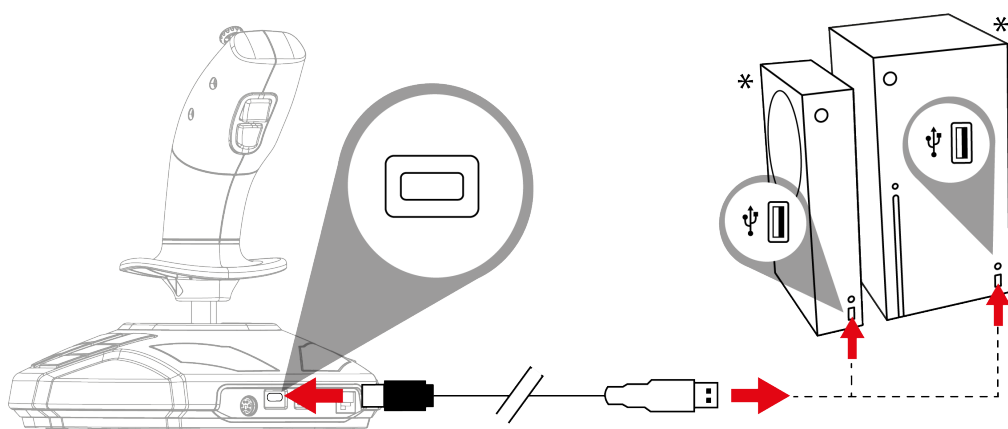


## 5. Instalacja na konsoli Xbox Series X|S

1. Ustaw przełącznik 19 z tyłu joysticka w położeniu Xbox.



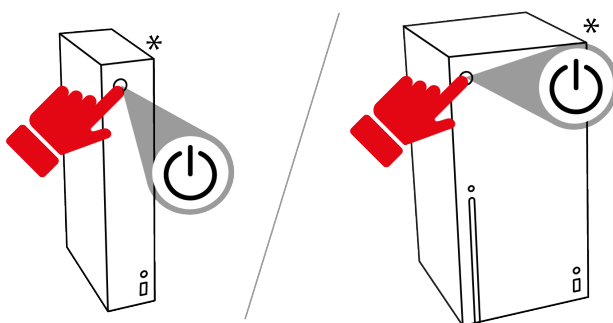
2. Podłącz kabel USB-C – USB-A do portu USB-C 18 joysticka i jednego z portów USB-A konsoli\*.



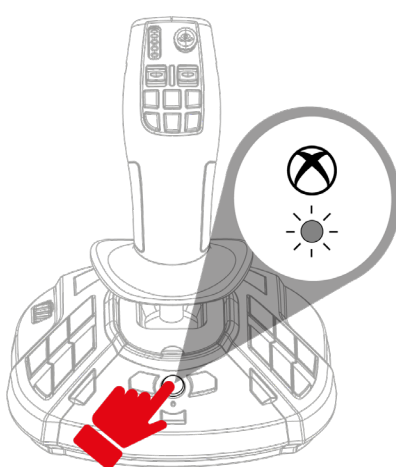
\* nie wchodzi w skład zestawu



3. Włącz konsolę.



4. Naciśnij przycisk Xbox. Kontrolka joysticka zaświeci na biało.



5. Uruchom zgodną grę.

Teraz możesz zacząć grać!



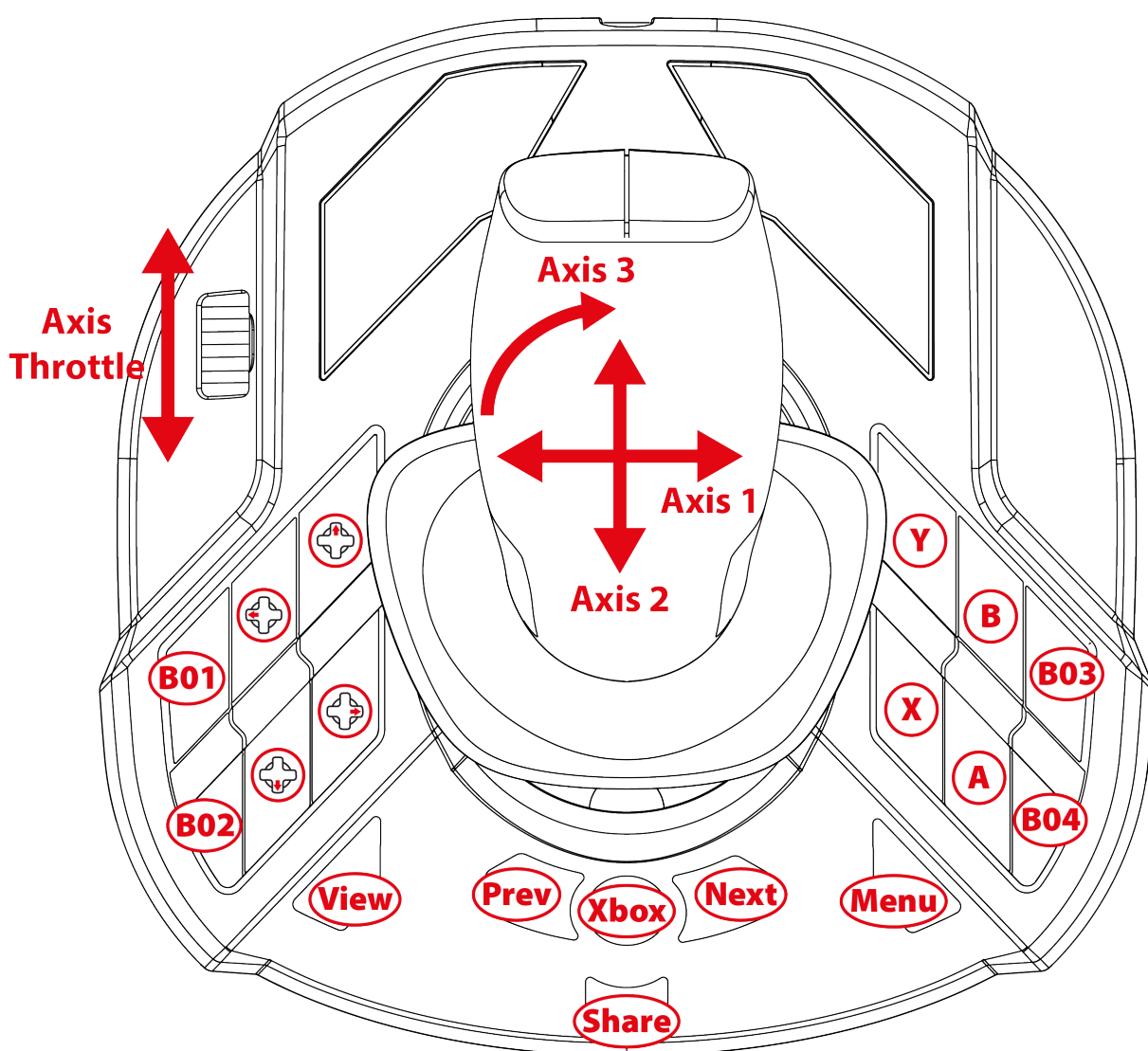
Podczas podłączania joysticka zawsze ustawiaj uchwyt w położeniu środkowym i nie poruszaj nim ani go nie obracaj, aby uniknąć problemów z kalibracją.

\* *nie wchodzi w skład zestawu*



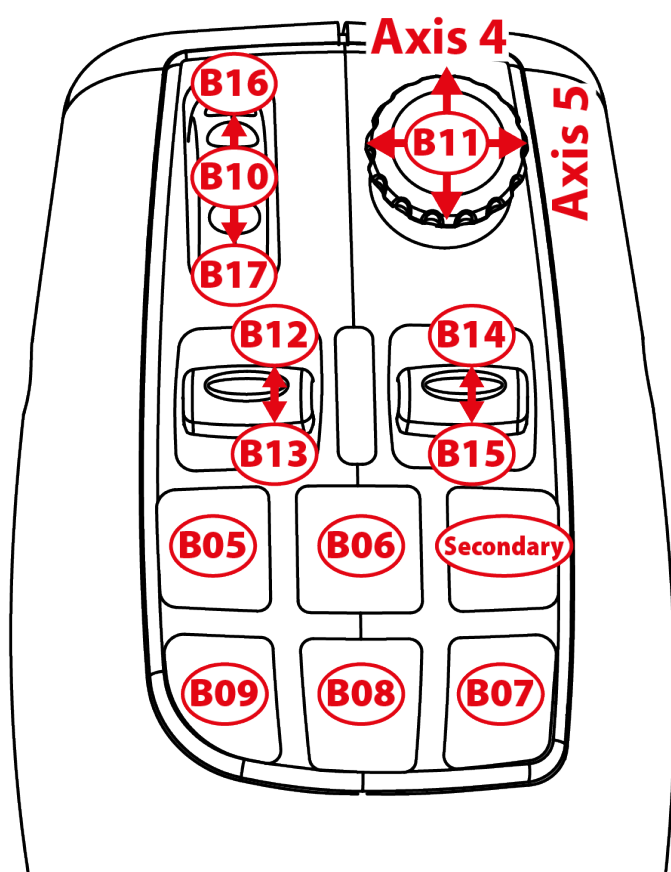


## 6. Mapowanie na konsoli Xbox

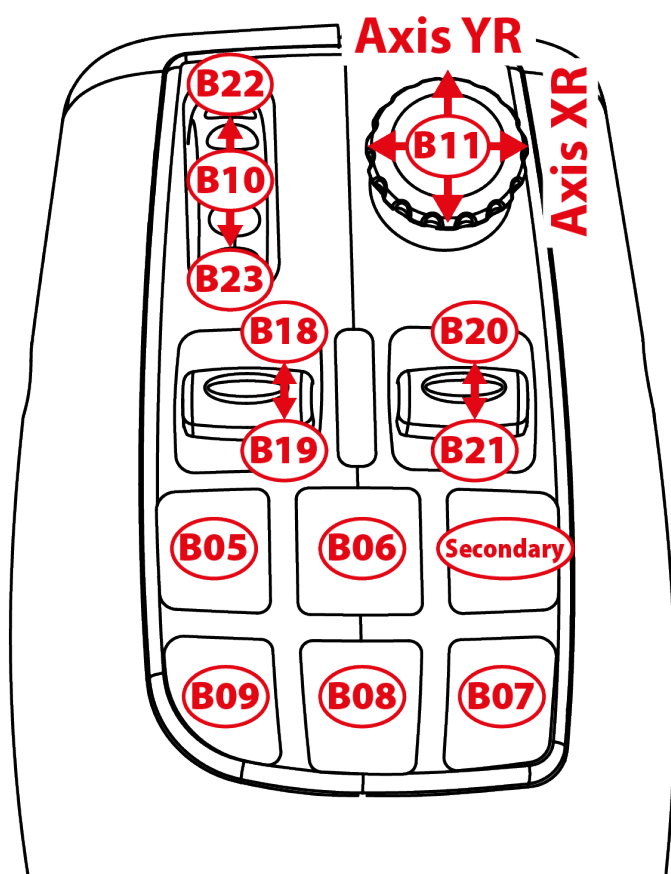


Mapowanie w trybach praworęcznym i leworęcznym jest identyczne.

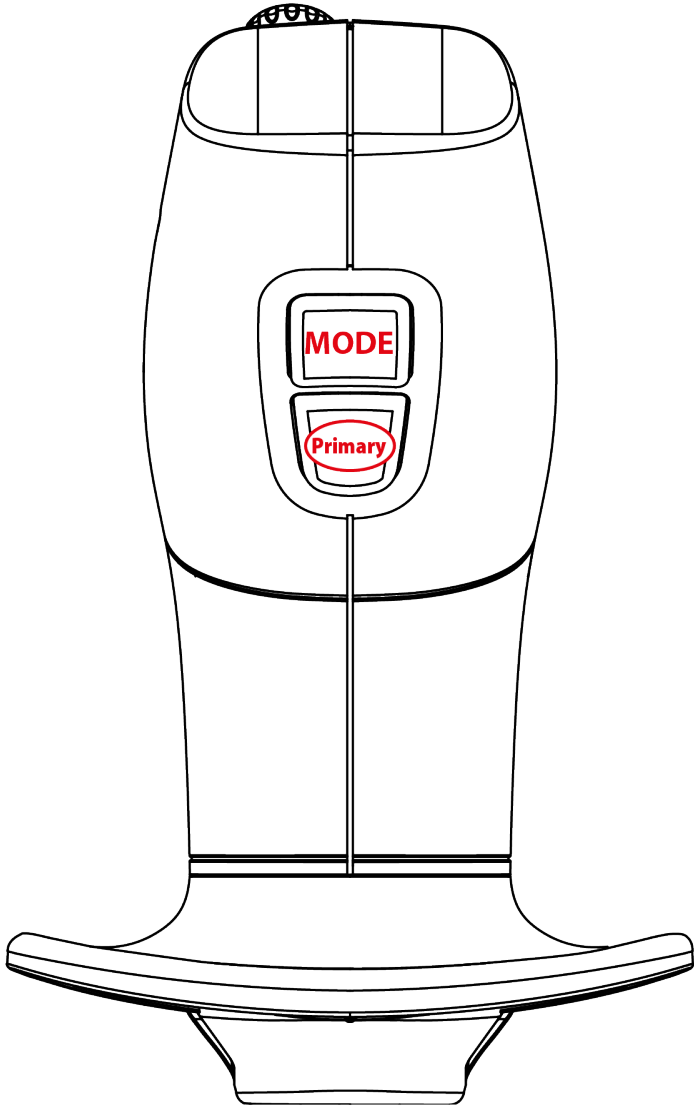
Tryb praworęczny (domyślny) / leworęczny można wybrać przez wykonanie **tej** procedury. W przypadku jednoczesnego korzystania z dwóch joysticków ten tryb pomaga w ich rozróżnieniu.



Tryb jazdy



Tryb pracy





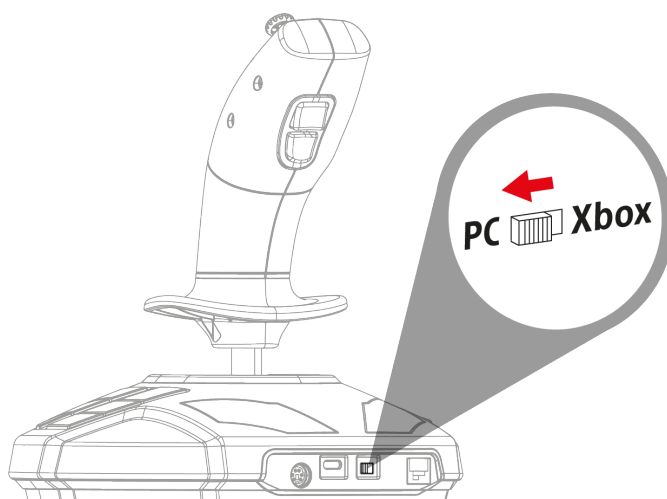
## 7. Instalacja na komputerze PC

1. Wejdź na stronę:

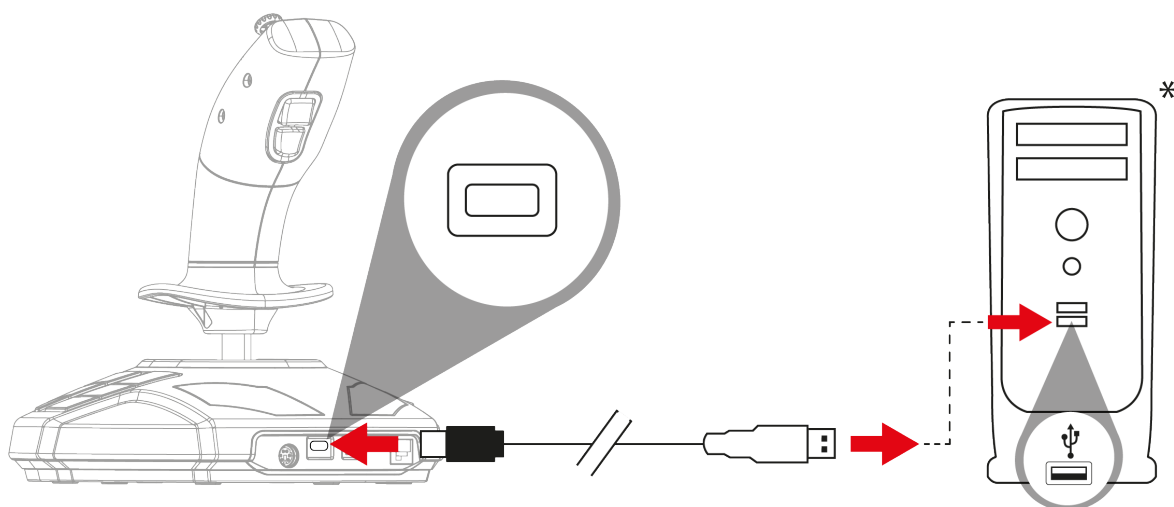
<https://support.thrustmaster.com/product/simtask-farmstick-x/>.

2. Pobierz i zainstaluj sterownik dla komputera PC oraz jego specjalny interfejs przeznaczony do Panelu sterowania systemu Windows.

3. Po zainstalowaniu sterownika dla komputera PC ustaw przełącznik 19 z tyłu joysticka w położeniu PC.



4. Podłącz kabel USB-C – USB-A do portu USB-C 18 joysticka i jednego z portów USB-A komputera PC\*.



\* nie wchodzi w skład zestawu



5. Kliknij **Start / Ustawienia / Panel sterowania** i kliknij dwukrotnie **Kontrolery gier**. W oknie dialogowym **Kontrolery gier** pojawi się nazwa joysticka ze stanem **OK**.
6. W oknie **Panel sterowania** kliknij **Właściwości**, aby przetestować i wyświetlić wszystkie funkcje. Okno to umożliwia także wybór trybu praworęcznego (domyślnego) lub leworęcznego.

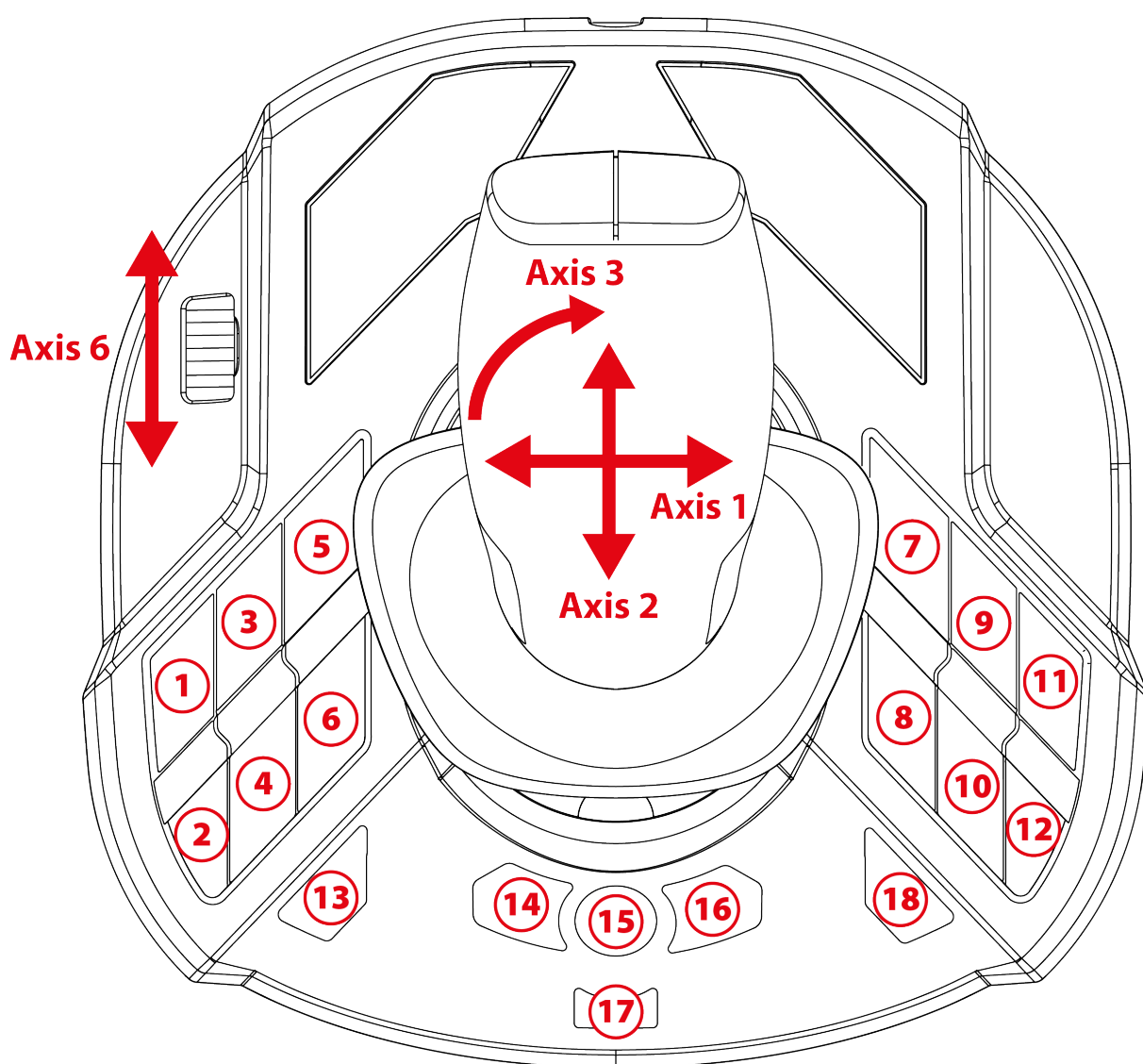
Teraz możesz zacząć grać!



Podczas podłączania joysticka zawsze ustawiaj uchwyt w położeniu środkowym i nie poruszaj nim ani go nie obracaj, aby uniknąć problemów z kalibracją.

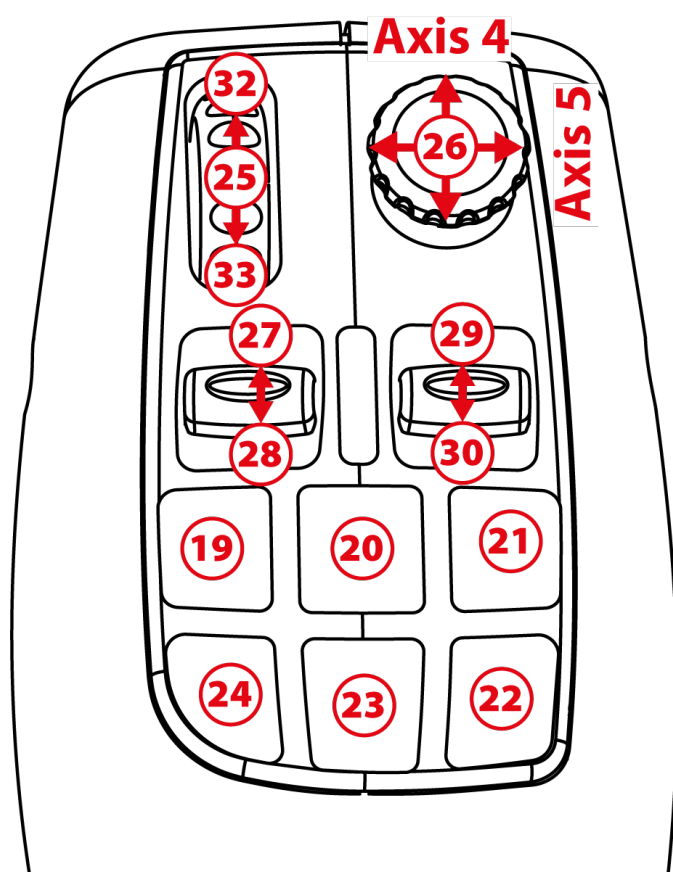


## 8. Mapowanie na komputerze PC

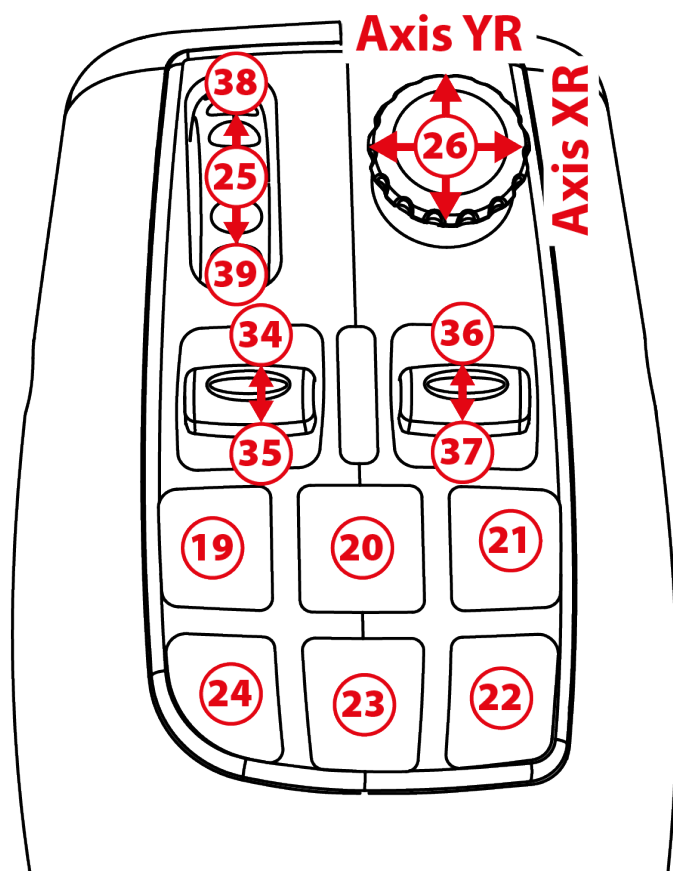


Mapowanie w trybach praworęcznym i leworęcznym jest identyczne.

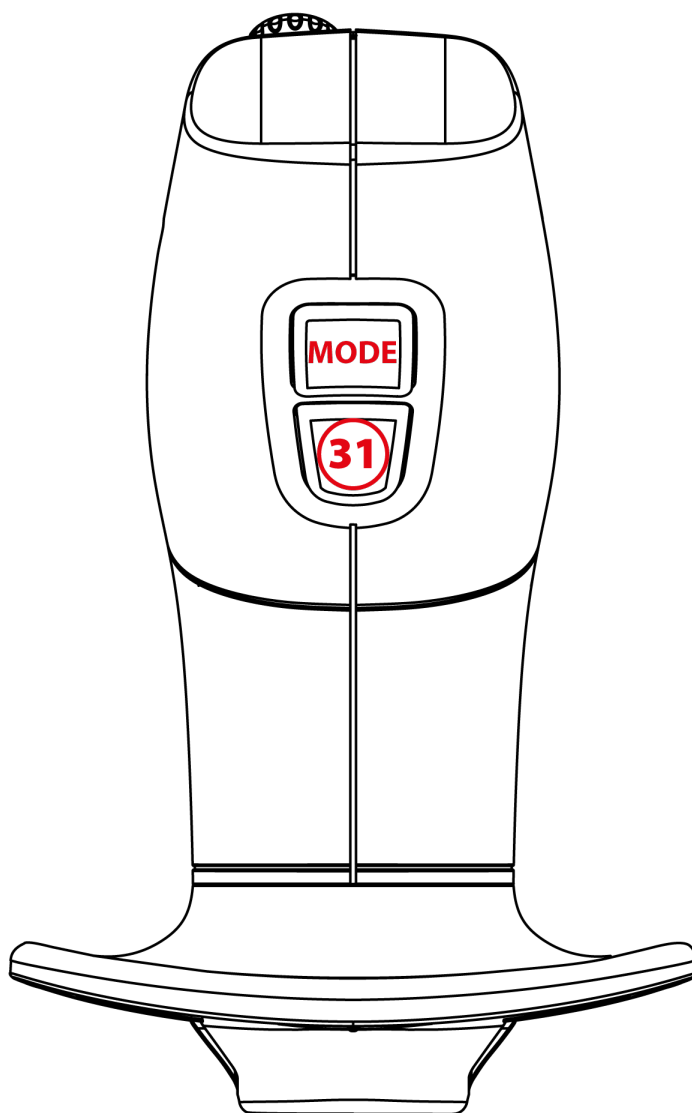
Tryb praworęczny (domyślny) lub leworęczny można wybrać przez wykonanie **tej** procedury lub w **Panelu sterowania**. W przypadku jednoczesnego korzystania z dwóch joysticków ten tryb pomaga w ich rozróżnieniu.



**Tryb jazdy**



**Tryb pracy**

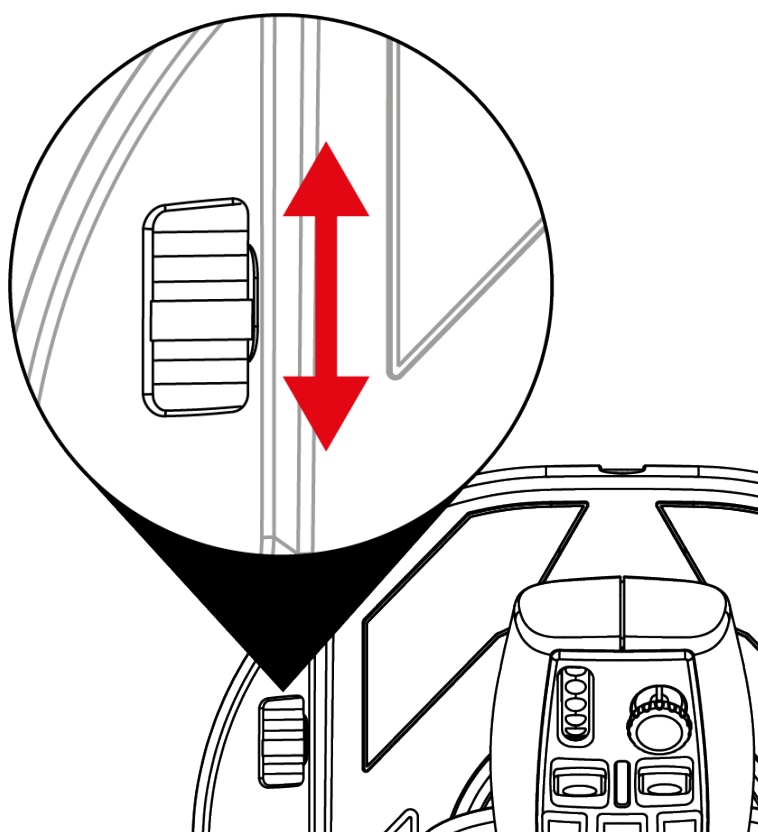






## 9. Przepustnica

Joystick jest wyposażony w kontroler przepustnicy ⑧, który umożliwia łatwe sterowanie mocą silnika.

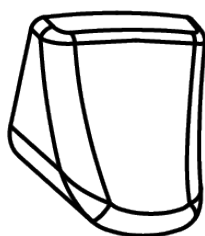




## 10. Wymienny spust

Joystick jest wyposażony w wymienny spust **16**, który umożliwia ergonomiczne wykonywanie różnych czynności w grach.

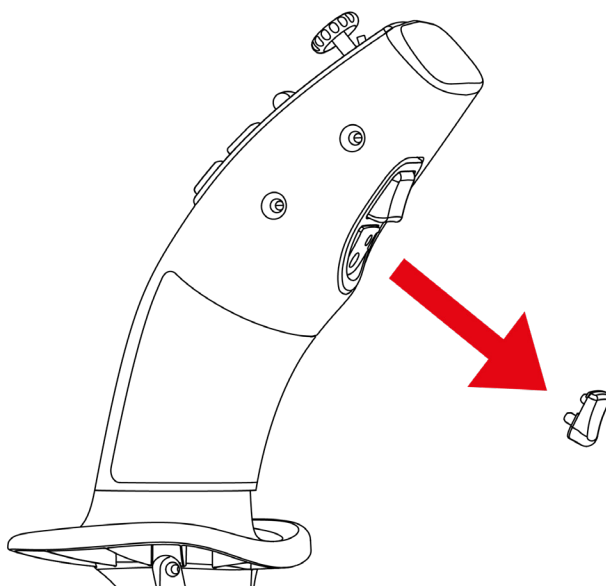
Spust zainstalowany fabrycznie można wymienić na spust przeznaczony do symulacji lotniczych (dostępny w zestawie z joystickiem SimTask FarmStick).



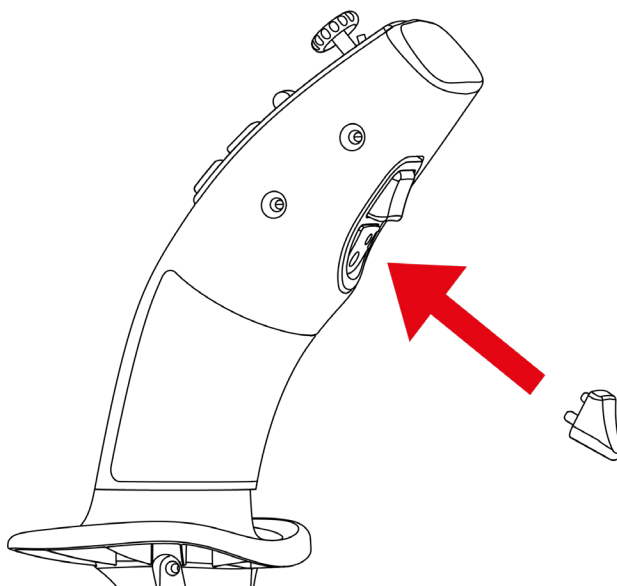


Aby zmienić spust:

1. Chwyć spust palcami po obu stronach i ostrożnie go wyciągnij.



2. Włóż nowy spust w odpowiednim położeniu montażowym.



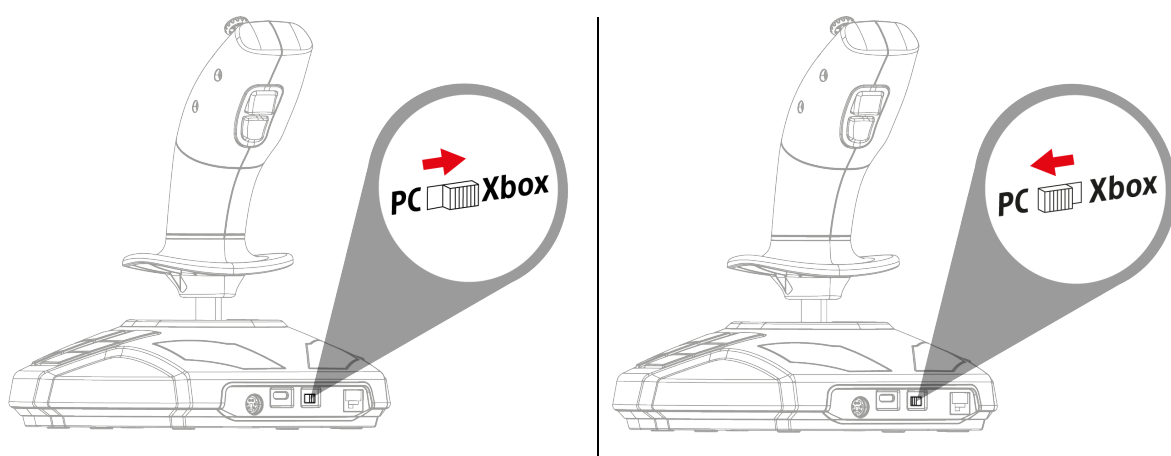
Bolce środkujące muszą wejść w odpowiednie otwory w drążku. Nie wciskaj spustu na siłę, ponieważ może to doprowadzić do uszkodzenia bolców.



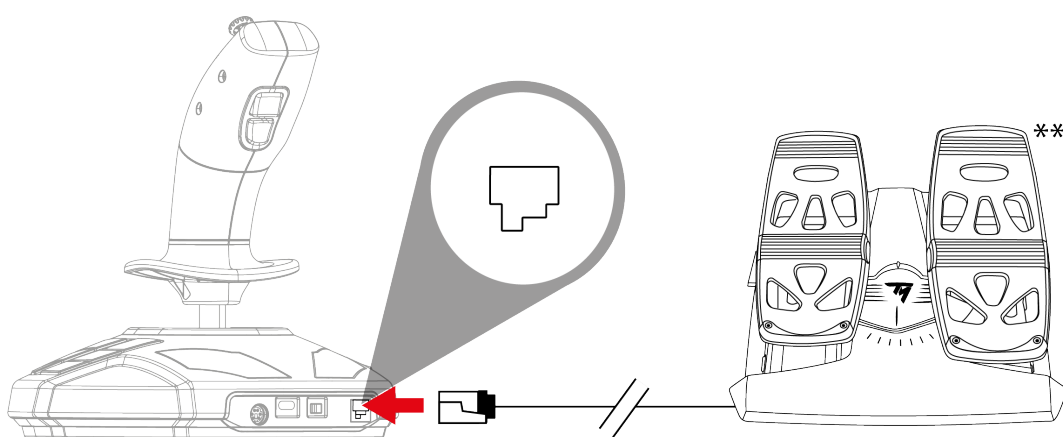
# 11. Instalacja na konsoli Xbox Series X|S\* lub komputerze PC\* ze sterem kierunku TFRP\*\*

Ster kierunku TFRP\*\* podłącza się do joysticka SimTask FarmStick.

1. Ustaw przełącznik 19 z tyłu joysticka w położeniu Xbox lub PC.



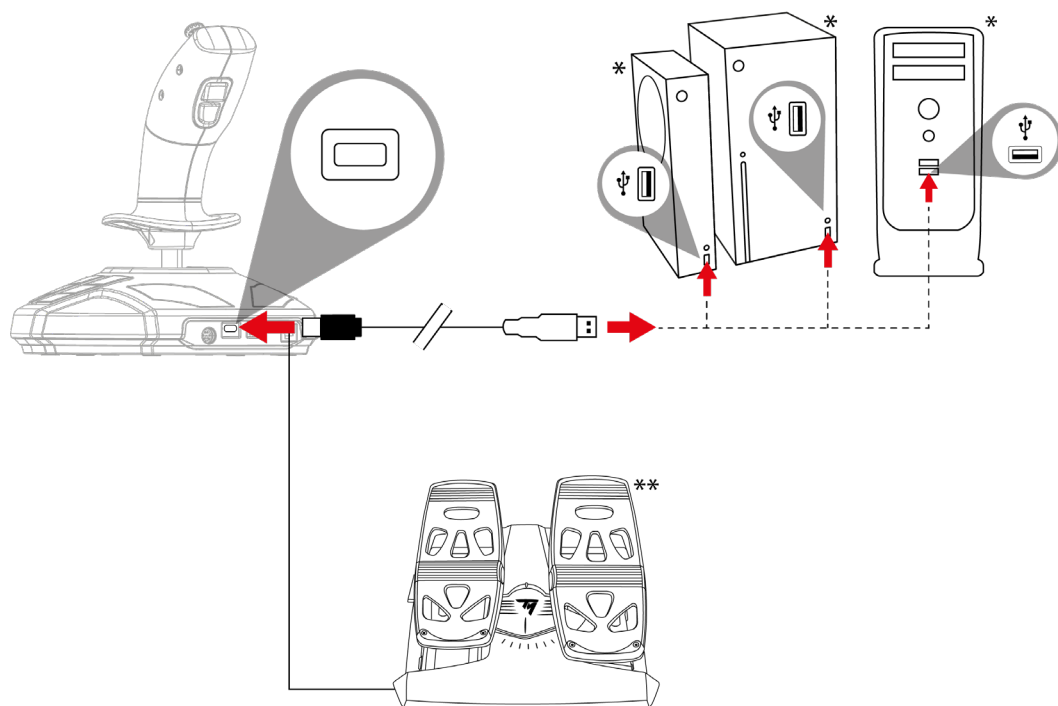
2. Podłącz kabel RJ12 steru kierunku TFRP\*\* do portu RJ12 20 z tyłu joysticka.



\* nie wchodzi w skład zestawu / \*\* do nabycia osobno



### 3. Podłącz kabel USB-C – USB-A do portu USB-C 18 joysticka i portu USB-A konsoli\* lub komputera PC\*.



- Podczas podłączania joysticka zawsze ustawiaj uchwyt w położeniu środkowym i nie poruszaj nim ani go nie obracaj, aby uniknąć problemów z kalibracją.
- Podczas podłączania steru kierunku do joysticka zawsze pilnuj, aby oś steru kierunku znajdowała się w położeniu środkowym i nie stawiaj stóp na pedałach steru, aby uniknąć problemów z kalibracją.

\* nie wchodzi w skład zestawu / \*\* do nabycia osobno



## 12. Często zadawane pytania i pomoc techniczna

### *Joystick nie działa prawidłowo lub wydaje się niewłaściwie skalibrowany.*

- Wyłącz konsolę lub komputer i odłącz joystick, a następnie uruchom ponownie konsolę lub komputer, podłącz joystick i uruchom ponownie grę.
- Podczas podłączania joysticka zawsze ustawiaj uchwyt w położeniu środkowym i nie poruszaj nim ani go nie obracaj, aby uniknąć problemów z kalibracją.
- Podczas podłączania steru kierunku do joysticka zawsze pilnuj, aby oś steru kierunku znajdowała się w położeniu środkowym i nie stawiaj stóp na pedałach steru, aby uniknąć problemów z kalibracją.



## ***Nie mogę skonfigurować joysticka.***

- W menu opcji/kontrolera/gamepada/joysticka dostępnym w grze wybierz odpowiednią konfigurację lub całkowicie przekonfiguruj opcje kontrolera.
- Więcej informacji znajdziesz w instrukcji obsługi gry lub jej pomocy online.



## *Joystick jest zbyt czuły lub niewystarczająco czuły.*

- Joystick kalibruje się automatycznie w sposób niezależny, gdy wykonasz nim kilka ruchów wzdłuż poszczególnych osi.
- W menu opcji/kontrolera/gamepada/joysticka dostępnym w grze ustaw odpowiednią czułość i strefy martwe joysticka (jeśli takie opcje są dostępne).

Masz pytania dotyczące joysticka SimTask FarmStick lub napotykasz problemy techniczne? Jeśli tak, wejdź na stronę pomocy technicznej Thrustmaster:

<https://support.thrustmaster.com/product/simtask-farmstick-x/>.





# **THRUSTMASTER®**



# **SIMTASK FARMSTICK**

**XBOX SERIES X|S – PC**

## **Användarmanual**



**Läs noggrant igenom** instruktionerna i denna manual **innan** du installerar produkten, **innan** produkten används och **innan** underhåll utförs på den. Var noga med att följa säkerhetsinstruktionerna. Att inte följa instruktionerna kan leda till olyckor och/eller skada. Behåll denna manual så att du kan läsa instruktionerna även i framtiden.

# INNEHÅLLSFÖRTECKNING

1.	INNEHÅLL I FÖRPACKNINGEN .....	5
2.	FUNKTIONER .....	6
3.	ANVÄNDNINGSSINFORMATION .....	9
4.	LÄR KÄNNA DIN JOYSTICK.....	12
	<i>Huvudfunktioner.....</i>	<i>12</i>
	<i>H.E.A.R.T. (HallEffect AccuRate Technology)- teknik .....</i>	<i>13</i>
	<i>Körläge &lt;&gt; Arbetsläge .....</i>	<i>14</i>
	<i>Vridbart handtag.....</i>	<i>17</i>
	<i>POV-minispak .....</i>	<i>18</i>
	<i>SimTask FarmStick-anlutningar på Xbox Series X S* och PC* .....</i>	<i>19</i>
	<i>Höger- och vänsterhänt joystickkonfiguration .....</i>	<i>21</i>

<b>5.</b>	<b>INSTALLATION PÅ XBOX SERIES X S....</b>	<b>24</b>
<b>6.</b>	<b>XBOX-MAPPNING.....</b>	<b>26</b>
<b>7.</b>	<b>INSTALLATION PÅ PC .....</b>	<b>29</b>
<b>8.</b>	<b>PC-MAPPNING .....</b>	<b>31</b>
<b>9.</b>	<b>GASREGLAGE .....</b>	<b>34</b>
<b>10.</b>	<b>UTBYTBAR AVTRYCKARE.....</b>	<b>35</b>
<b>11.</b>	<b>INSTALLATION PÅ XBOX SERIES X S* ELLER PC* MED TFRP-RODER** .....</b>	<b>37</b>
<b>12.</b>	<b>VANLIGA FRÅGOR OCH TEKNISK SUPPORT .....</b>	<b>39</b>

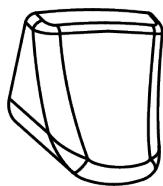
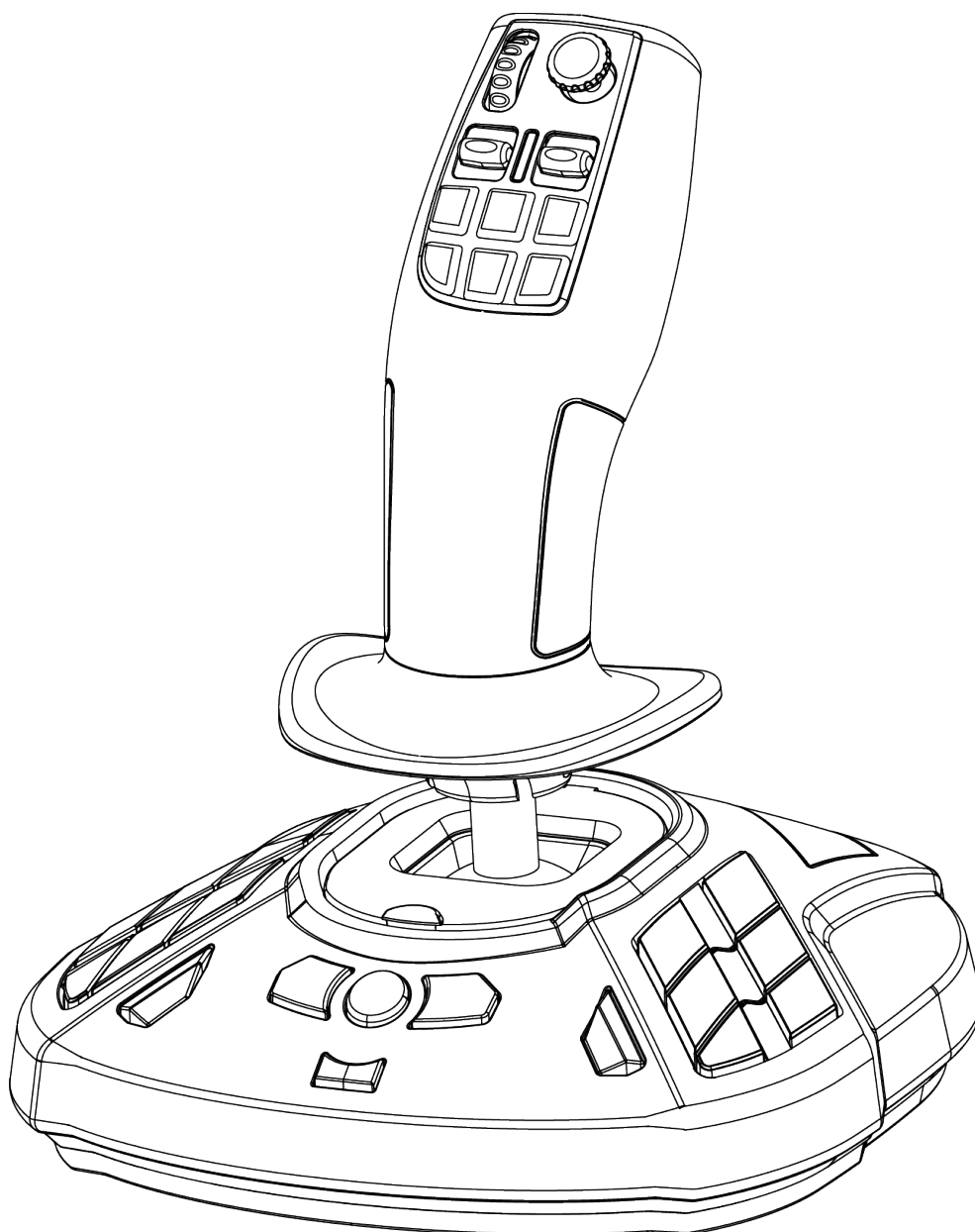


Med SimTask FarmStick från Thrustmaster får du en enhet som är perfekt anpassad till att hantera dina jordbruks- och anläggningsmaskiner. Du kan även använda SimTask FarmStick som en joystick för flygsimulering.

Denna manual hjälper dig att installera och använda SimTask FarmStick med så bra förutsättningar som möjligt. Läs noggrant igenom alla dessa instruktioner och varningar innan du börjar: de hjälper dig att få ut så mycket som möjligt av din produkt.

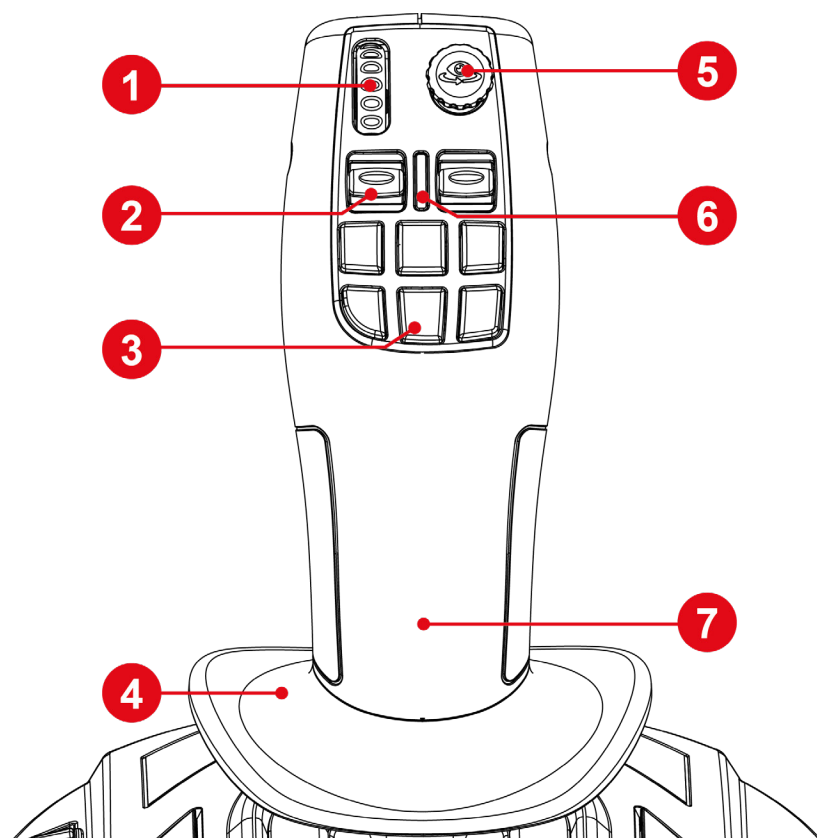


# 1. Innehåll i förpackningen

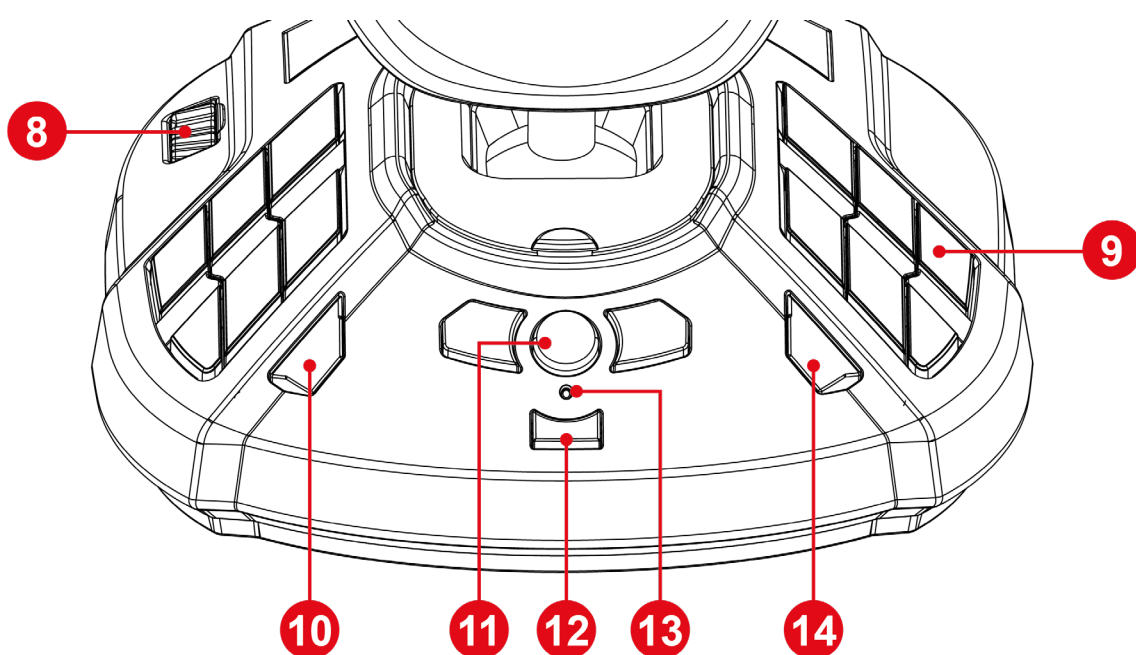




## 2. Funktioner



1. Tumhjul
2. Vippströmbrytare
3. Snabbåtgärdsknappar
4. Handstöd
5. POV-minispak
6. Spaklägeindikatorlampa
7. Ambidextriöst handtag



8. Gasreglage

9. Programmerbara åtgärdsknappar

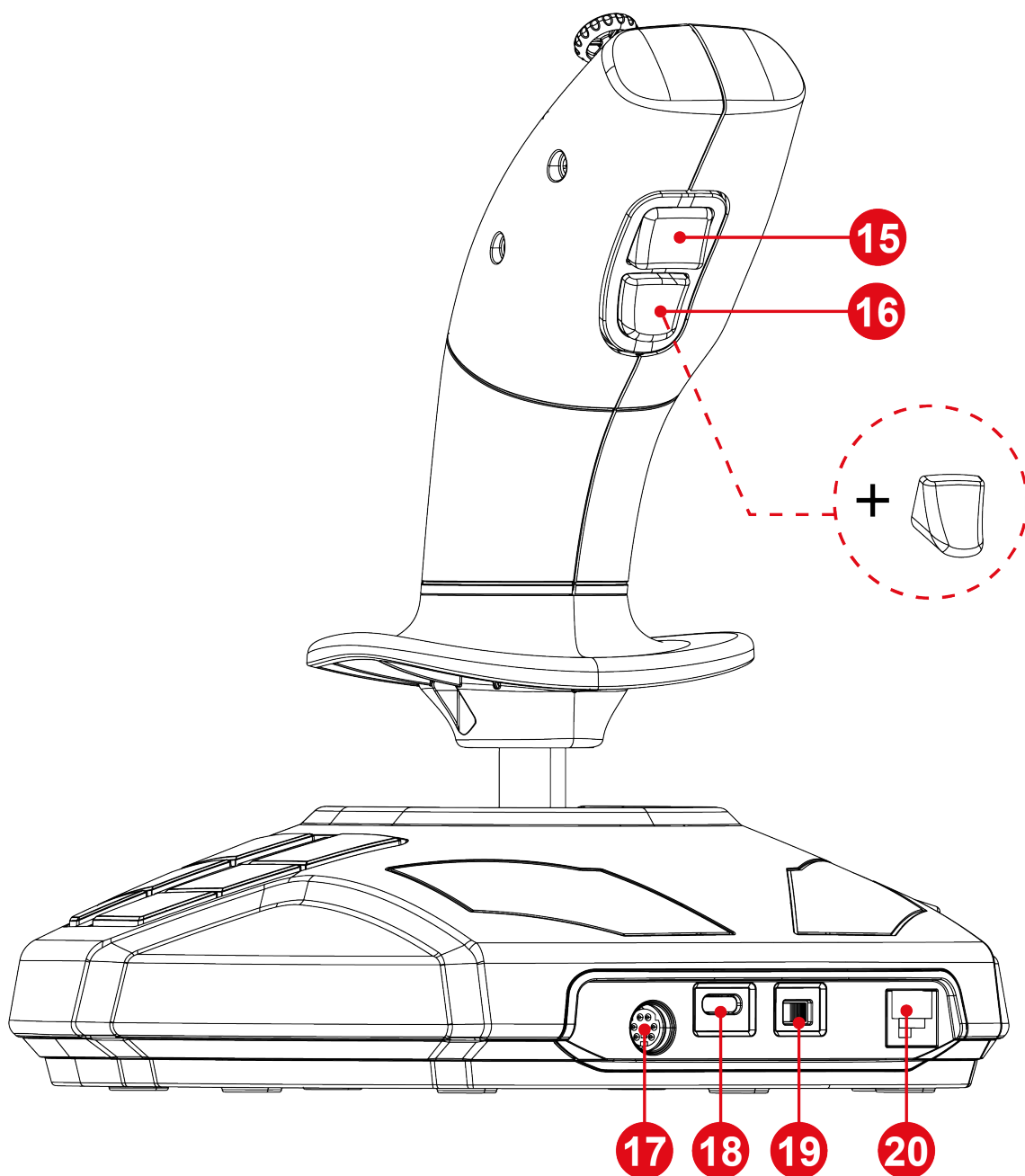
10. View (Visa)-knapp

11. Xbox-knapp

12. Share (Dela)-knapp

13. Indikatorlampa

14. Menu (Meny)-knapp



15. Spaklägeändringsknapp

16. Utbytbar åtgärdsavtryckare

17. DIN-port för ytterligare tillbehör\*

18. USB-C-port

19. Xbox/PC-väljare

20. RJ12-port för TFRP-roder\*

*\*säljs separat*





## 3. Användningsinformation



### **Dokumentation**

Läs noggrant igenom denna dokumentation igen innan du använder produkten och spara den för framtida bruk.



## **Elektriska stötar**

- Förvara produkten på ett torrt ställe och utsätt den inte för damm eller solljus.
- Sätt i kontakter på rätt sätt.
- Vrid och dra inte i kontakter och kablar.
- Spill inte vätskor på produkten eller dess kontakter.
- Kortslut inte produkten.
- Montera aldrig isär produkten, kasta inte in den i eld och utsätt den inte för höga temperaturer.
- Öppna inte enheten: det finns inga delar däri som får repareras av användaren. Eventuella reparationer måste utföras av tillverkaren, en specificerad byrå eller en behörig tekniker.



### **Säkra spelområdet**

- Ha inga föremål i spelområdet som kan störa användaren, leda till olämpliga rörelser, eller göra att en annan person kommer och avbryter (till exempel kaffekoppar, telefoner, nycklar).
- Täck inte över strömkablarna med en matta, filt, ett täcke eller något annat och ha inga kablar där personer går.



## 4. Lär känna din joystick

### *Huvudfunktioner*

- 33 knappar och sex virtuella knappar, inklusive ett tumhjul och två vippströmbrytare
- Sex axlar, inklusive en minispak, joystickhandtagets rotation och ett gasreglage
- Spaklägeindikatorlampa
- H.E.A.R.T.-teknik (HallEffect AccuRate Technology)
- Anslutning till USB-A-port
- Gasreglage
- RJ12-port för TFRP-roder\*

*\*säljs separat*



## ***H.E.A.R.T. (HallEffect AccuRate Technology)-teknik***

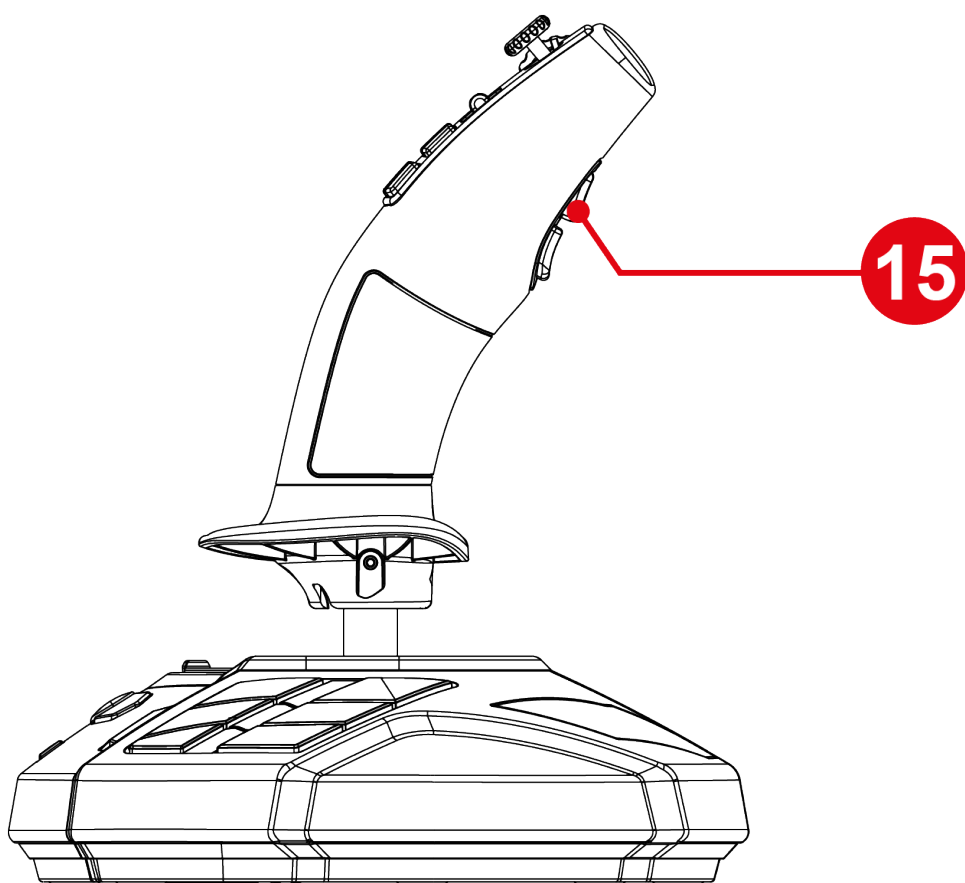
Din SimTask FarmStick innehåller teknik som ger den en precision som för närvarande är oöverträffad bland världens speljoystickar, bland annat:

- Magnetiska 3D-sensorer (Hall-effekt) på spaken, med en upplösning på mer än 268 miljoner värden över alla X- och Y-axlarna (16 384 x 16 384 värden).
- En magnet: ingen friktion, för obegränsad precision och otrolig responsivitet som håller.
- En spiralfjäder på spaken (2,8 mm): för stadig, linjär och extremt mjuk spänning.



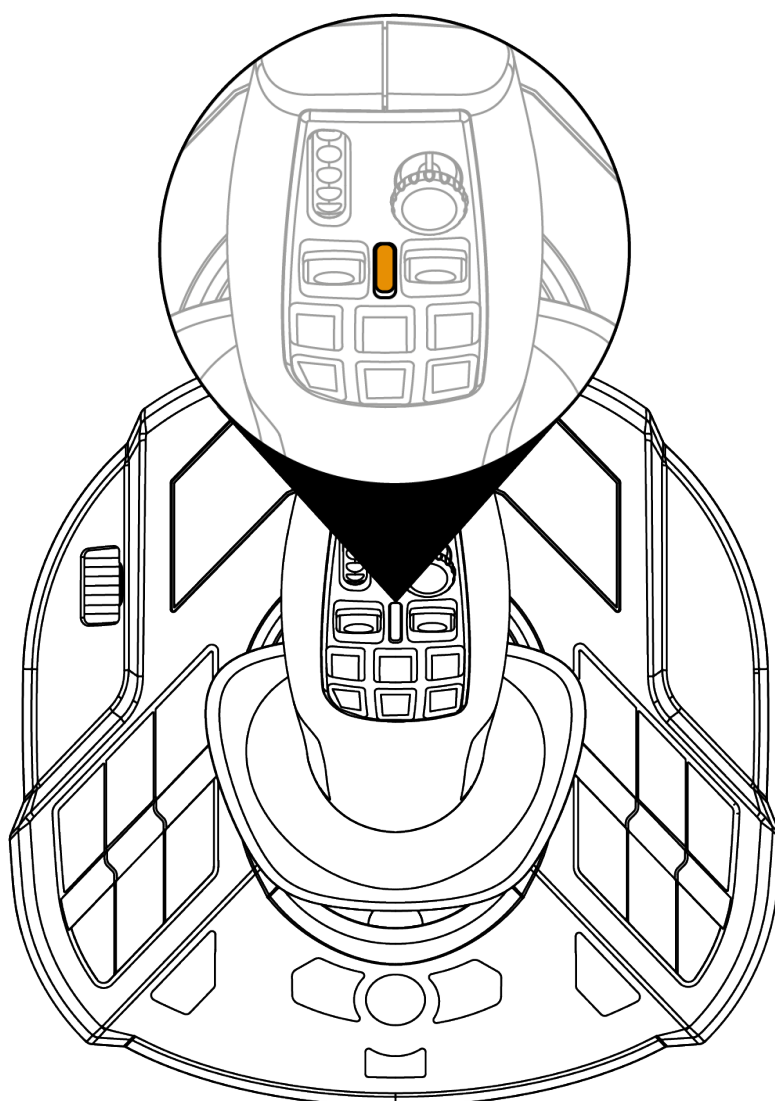
## Körläge <> Arbetsläge

Knapp 15 låter dig byta från körläge till arbetsläge och vice versa.



Denna funktion utökar antalet åtgärder som kan utföras med tummen, dvs. via tumhjulet 1 och de två vippströmbrytarna 2.

Om du ändrar läge ändras även åtgärden som är kopplad till tumhjulet 1 och de två vippströmbrytarna 2.



### Körläge (standard)

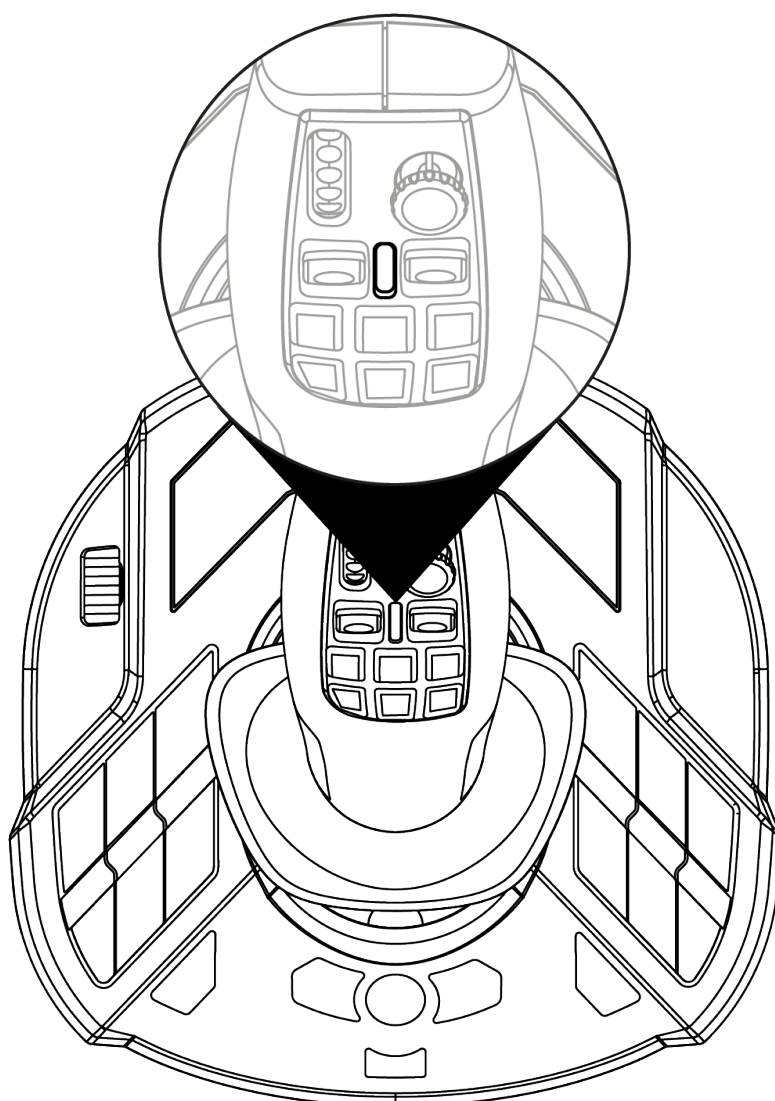
I **körläget** lyser spaklägeindikatorlampan **6** orange.



I **körläget** kan åtgärden som är kopplad till tumhjulet **1**

och vippströmbrytarna **2** vara följande:

- Tumhjulet: kontrollerar regulatorns börvärde.
- Vippströmbrytarna: hanterar växellådan.



## Arbetsläge

I **arbetsläget** lyser spaklägeindikatorlampan **6** vitt.



I **arbetsläget** kan åtgärden som är kopplad till tumhjulet

**1** och vippströmbrytarna **2** vara följande:

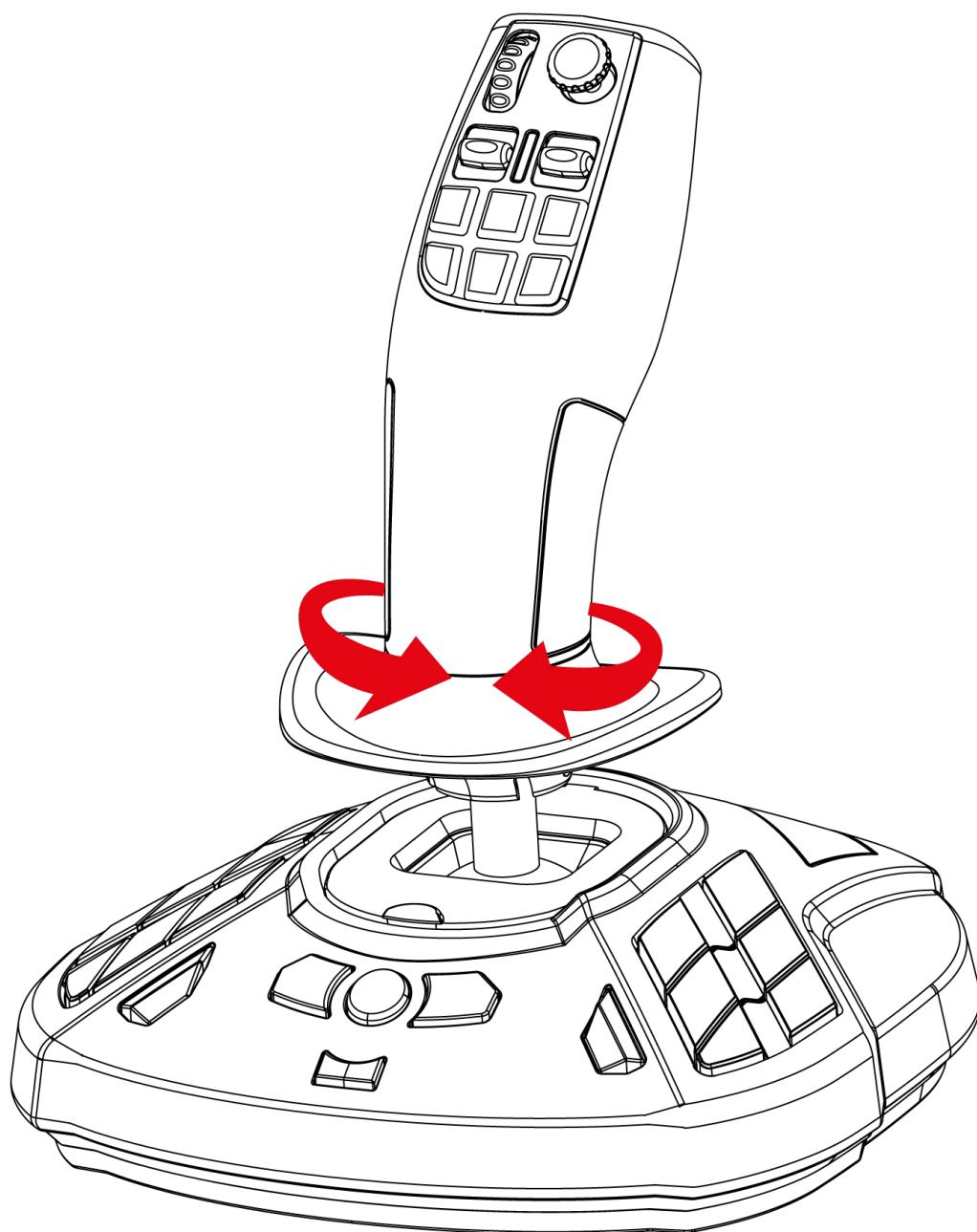
- Tumhjulet: kontrollerar kamerans inzoomning.
- Vippströmbrytarna: kontrollerar kranarmar eller lastare.





## *Vridbart handtag*

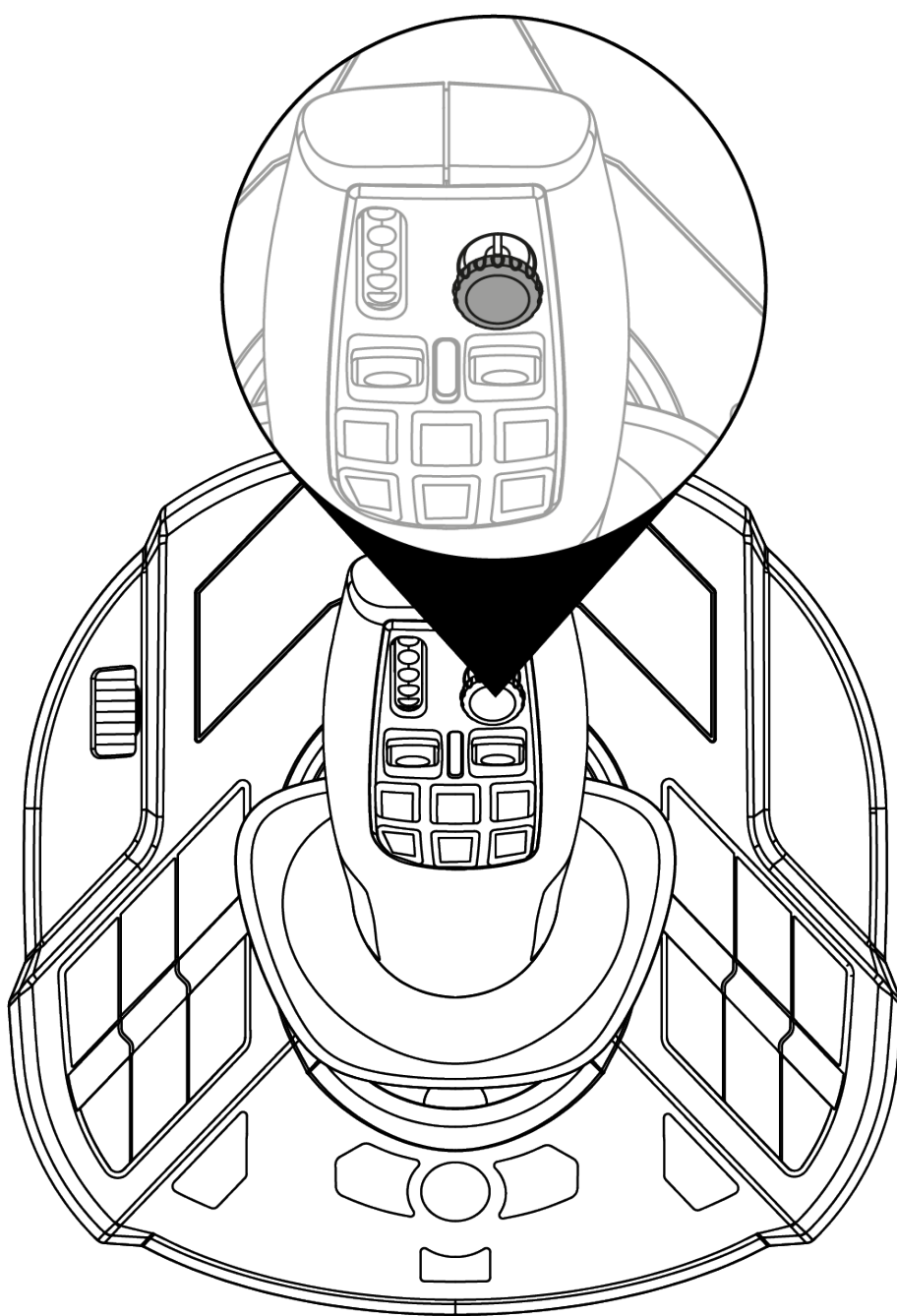
SimTask FarmStick har ett handtag som roterar runt sin horisontella axel. Detta är användbart vid manövrering av exempelvis ett kranhuvud eller en grävmaskin.





## *POV-minispak*

SimTask FarmStick har en POV-minispak **5** som låter dig se vad maskinföraren ser.





## ***SimTask FarmStick-anlutningar på Xbox Series X|S\* och PC\****

SimTask FarmStick har sex axlar, men erbjuder alternativet att ansluta ett TFRP\*\*-roder på baksidan av joysticken. Detta ger dig ytterligare två axlar, liksom roderkontroll via TFRP.

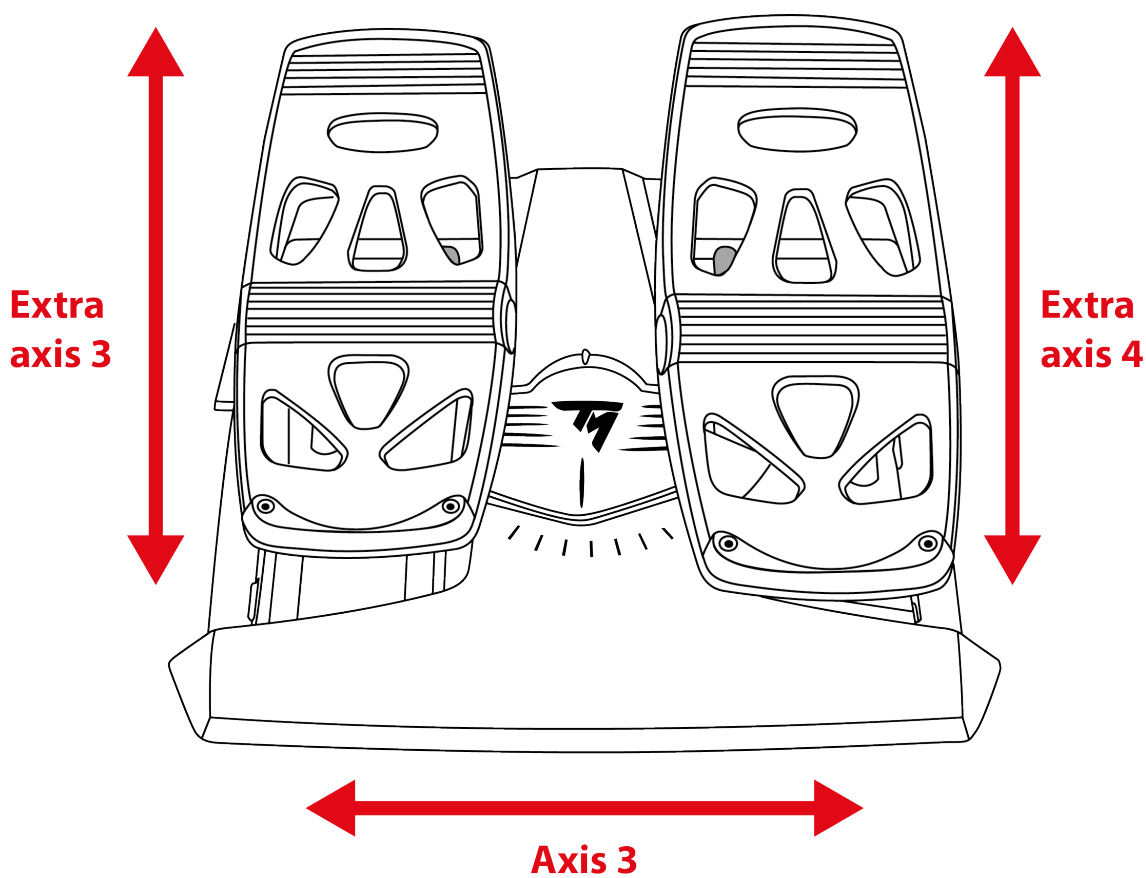


TFRP-rodret är den enda enhet som stöds på Xbox Series X|S och PC.

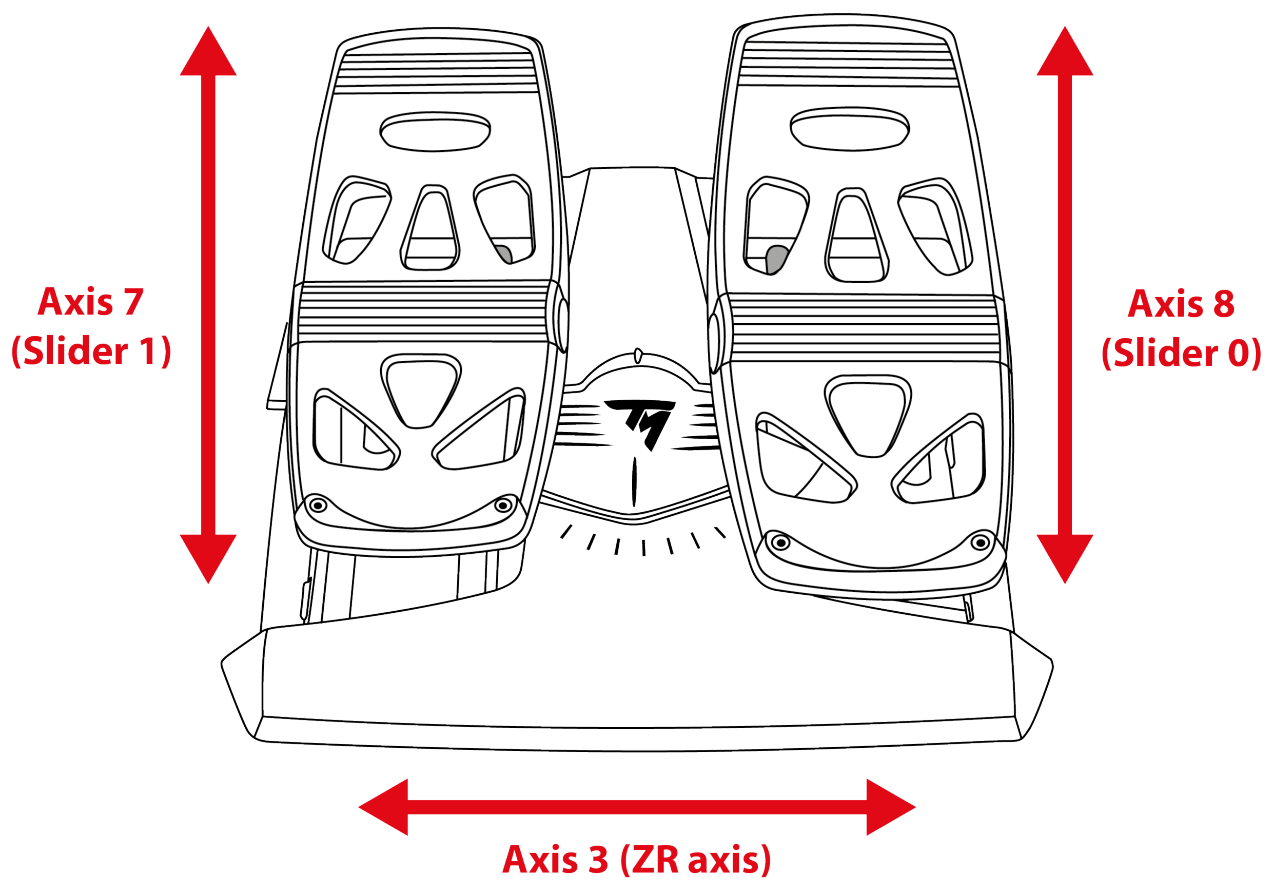
*\*ingår ej / \*\*säljs separat*



Mappning på Xbox:



Mappning på PC:





## ***Höger- och vänsterhänt joystickkonfiguration***

Din SimTask FarmStick är ambidextriös för att passa alla spelare vare sig de är höger- eller vänsterhänta.

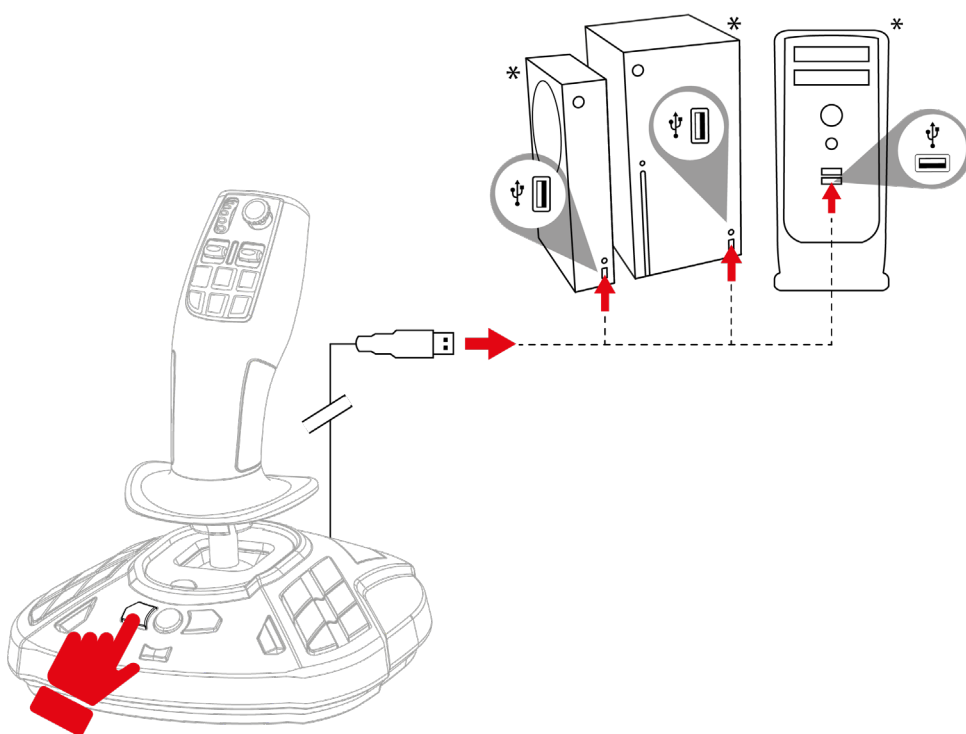
Som standard är joysticken inställd i högerhänt läge.



För att ställa in joysticken i VÄNSTERHÄNT läge:

1. Håll in knapp 14 (på PC) eller Föregående (på Xbox Series X|S) när du ansluter din SimTask FarmStick till Xbox Series X|S eller PC.

Spaklägesindikatorlampan **6** blinkar vitt i fem sekunder.



2. Släpp knapp 14 (på PC) eller Föregående (på Xbox Series X|S).



VÄNSTERHÄNT läge sparas automatiskt i SimTask FarmSticks interna minne.

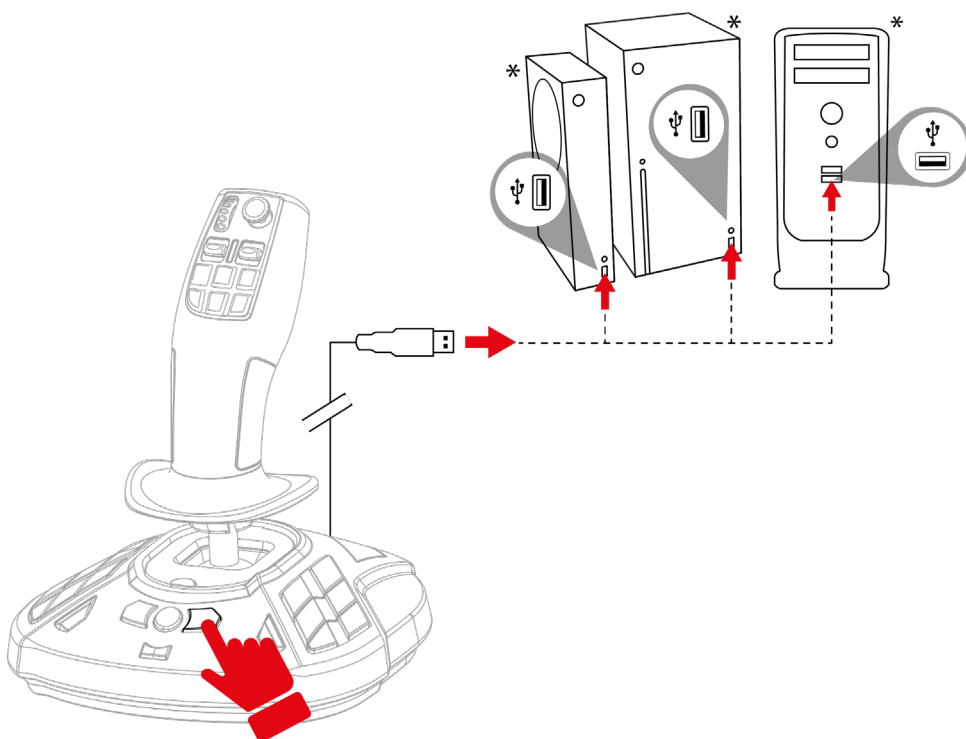
*\*ingår ej*



För att återställa joysticken till HÖGERHÄNT läge:

1. Håll in knapp 16 (på PC) eller Nästa (på Xbox Series X|S) när du ansluter din SimTask FarmStick till Xbox Series X|S eller PC.

Spaklägesindikatorlampan **6** blinkar orange i fem sekunder.



2. Släpp knapp 16 (på PC) eller Nästa (på Xbox Series X|S).



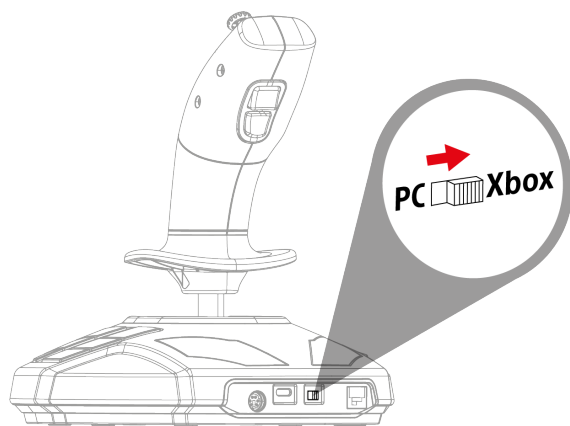
HÖGERHÄNT läge sparas automatiskt i SimTask FarmSticks interna minne.

*\*ingår ej*

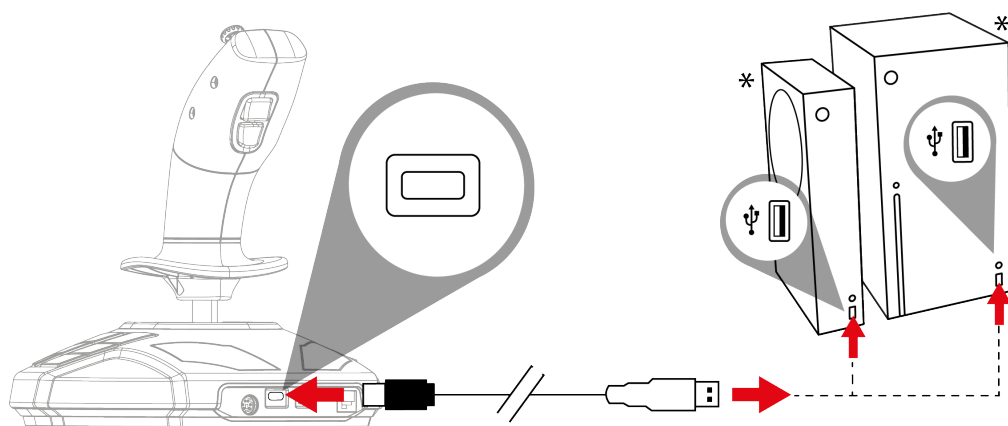


## 5. Installation på Xbox Series X|S

1. Sätt knappen **19** på baksidan av joysticken i Xbox-läget.



2. Anslut USB-C till USB-A-kabeln till joystickens USB-C-port **18** och någon av konsolens\* USB-A-portar.

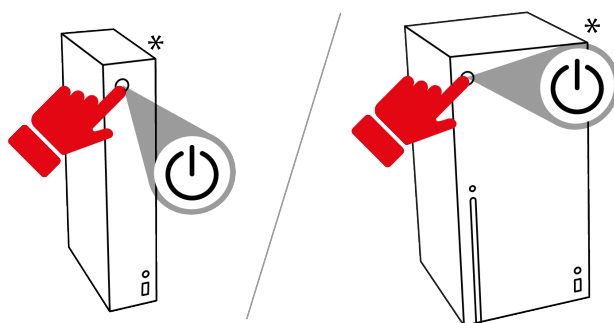


*\*ingår ej*

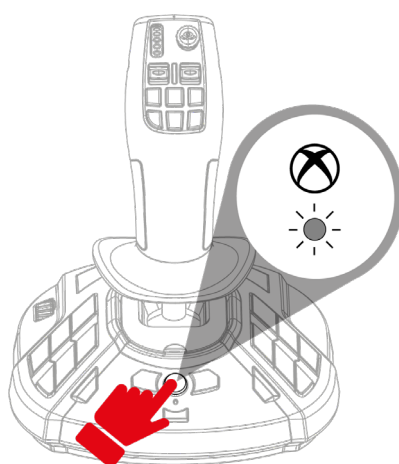




3. Slå på konsolen.



4. Tryck på Xbox-knappen. Joystickens indikatorlampa lyser vitt.



5. Starta ett kompatibelt spel.

Nu är du redo att spela!

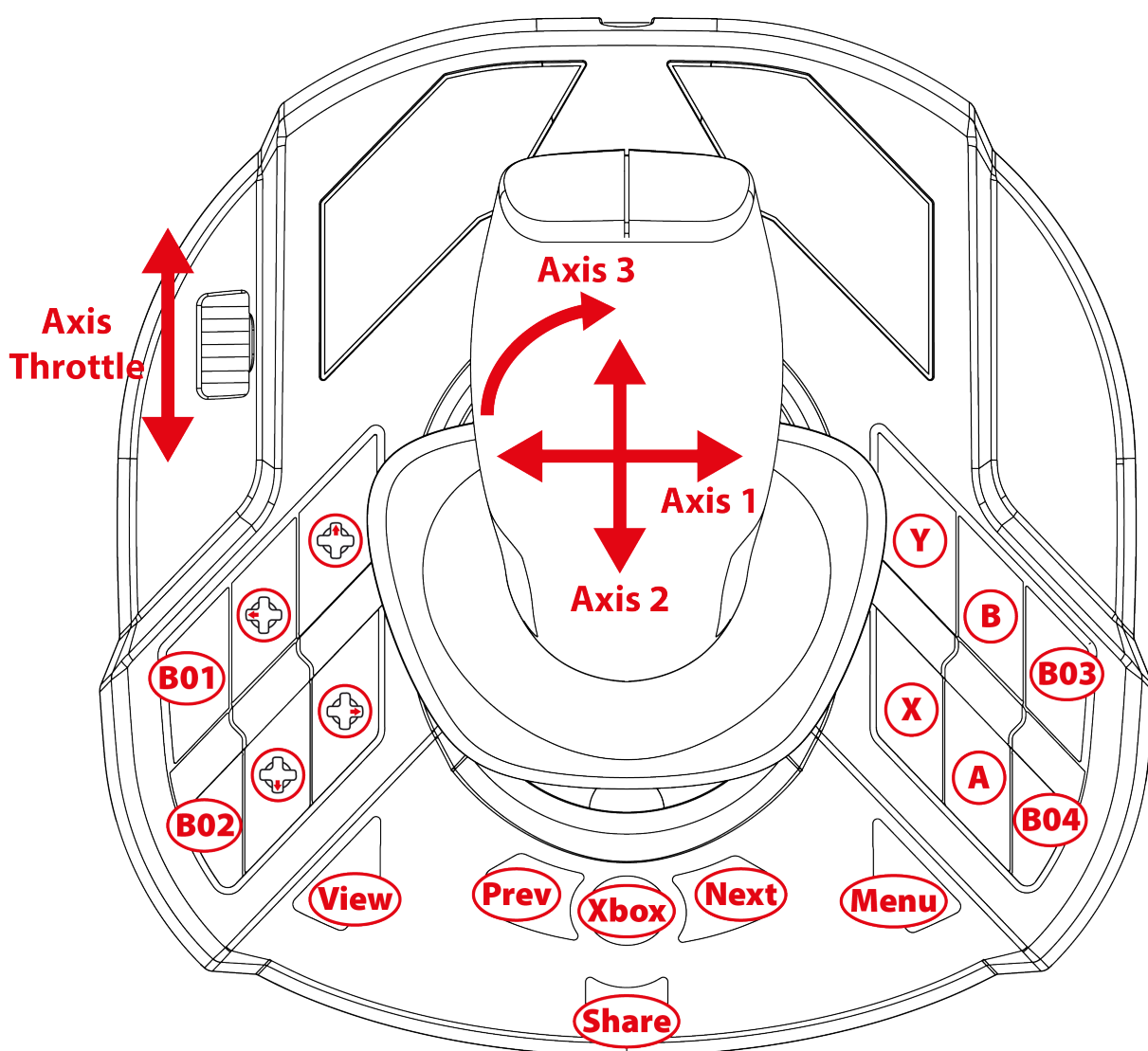


När du ansluter joysticken ska du alltid ha handtaget i dess centrala position och inte röra eller vrida på det (för att undvika kalibreringsproblem).

*\*ingår ej*

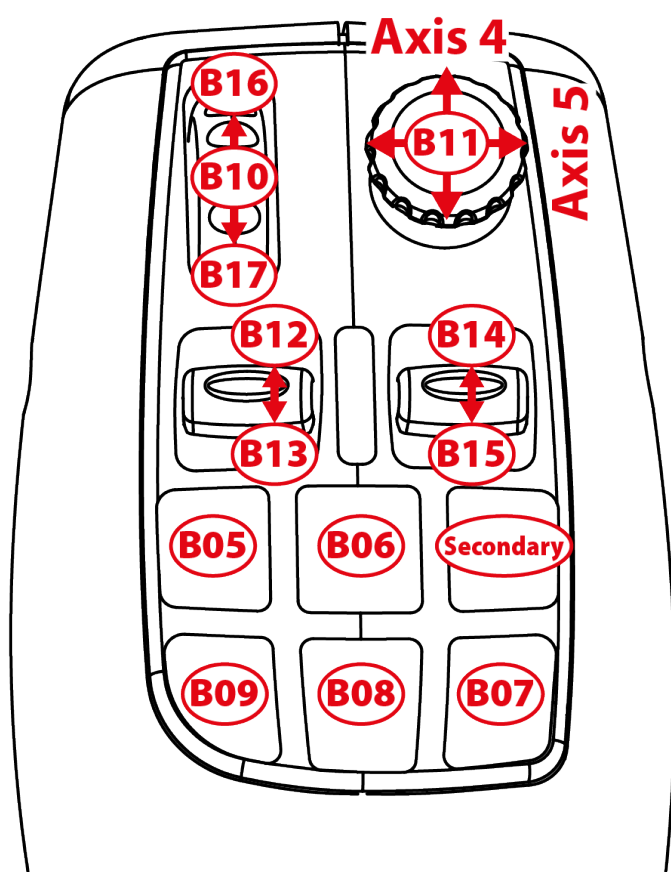


## 6. Xbox-mappning

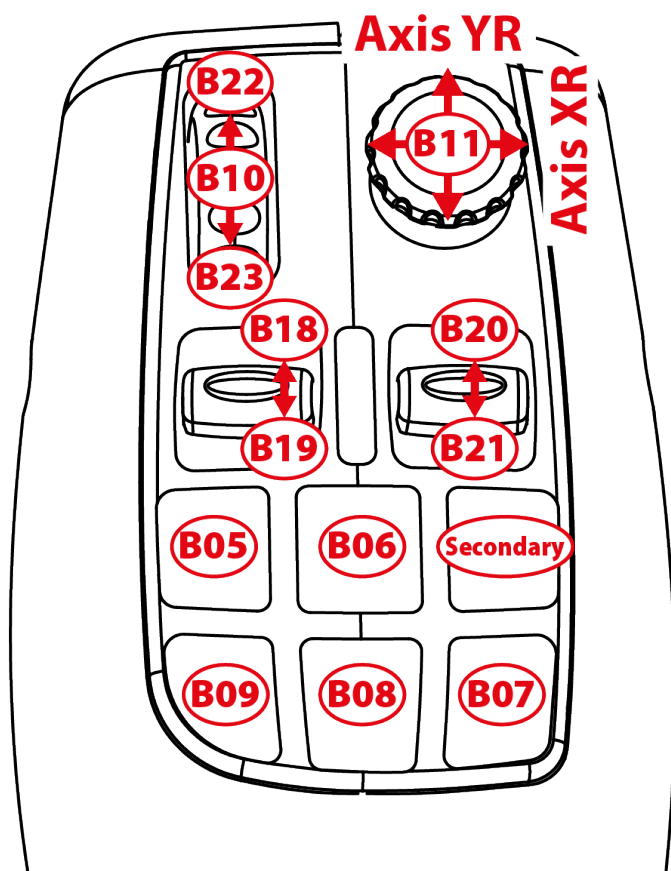


Mappningen är identisk för de höger- och vänsterhänta lägena.

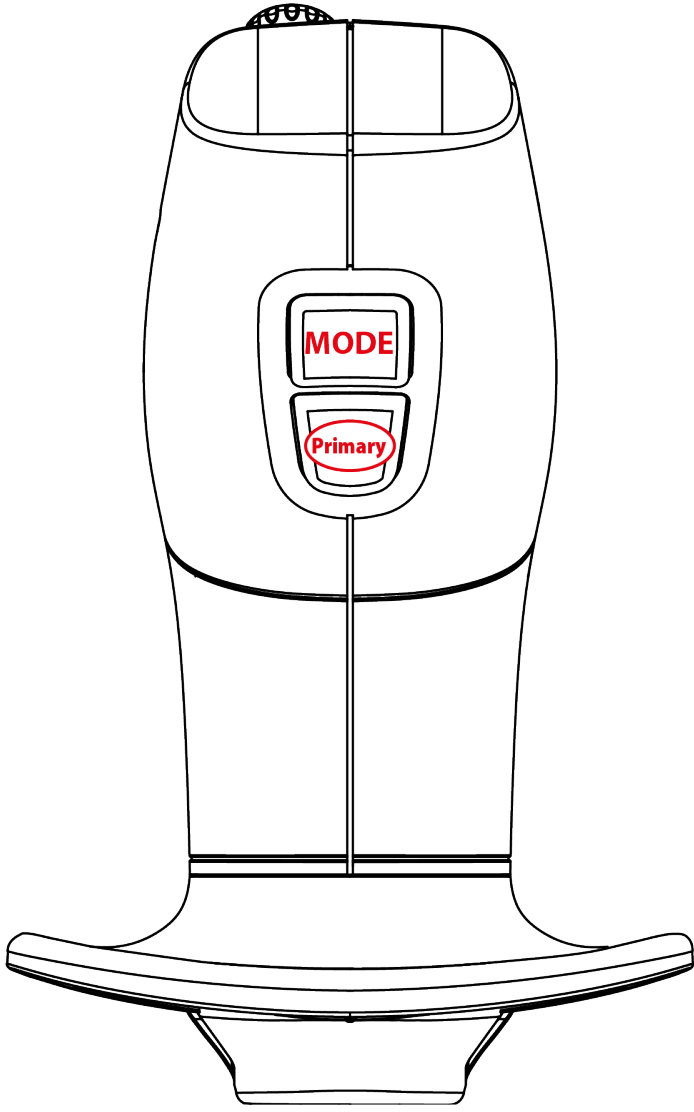
Höger- (standard)/vänsterhänt läge kan väljas genom att följa **denna** procedur. När du använder två joysticks samtidigt hjälper detta läge dig att skilja på dem.



**Körläge**



**Arbetsläge**





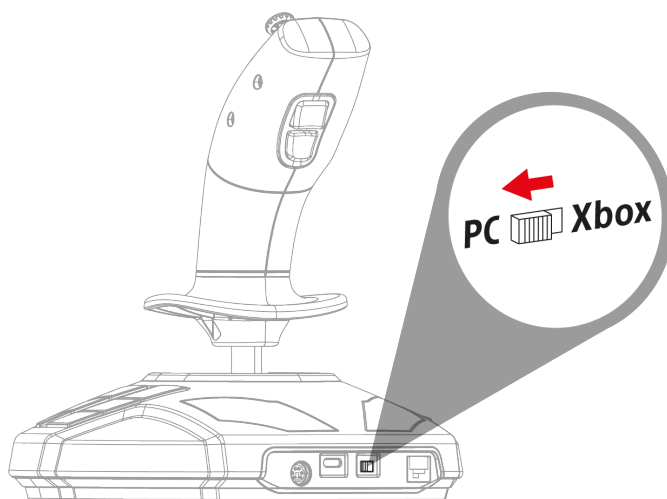
## 7. Installation på PC

1. Gå till:

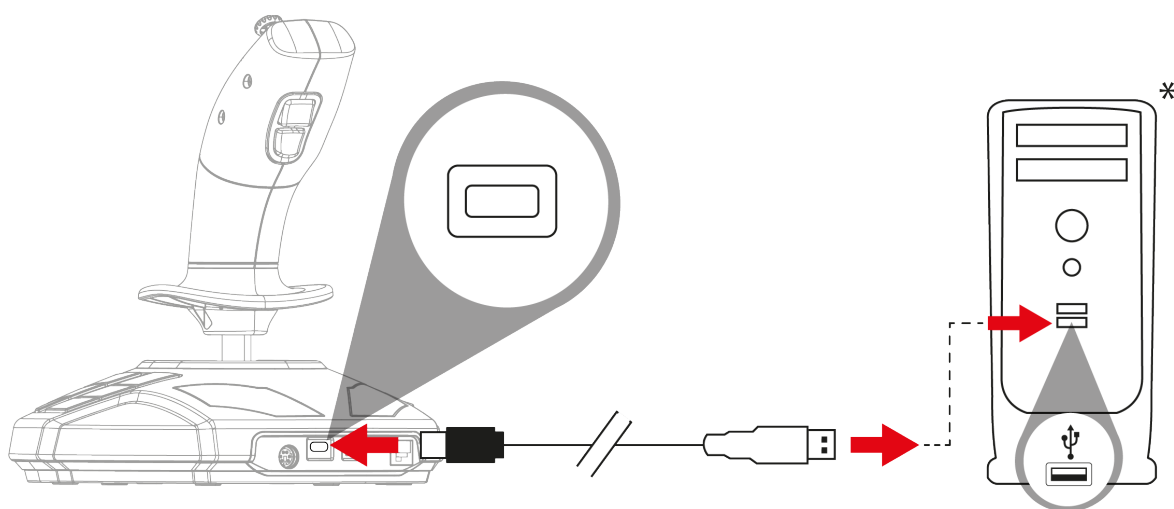
<https://support.thrustmaster.com/product/simtaskfarmstick-x/>.

2. Ladda ner och installera PC-drivrutinen och dess anpassade gränssnitt för Kontrollpanelen i Windows.

3. När PC-drivrutinen har installerats sätter du tillbaka knappen 19 på baksidan av joysticken i PC-läget.



4. Anslut USB-C till USB-A-kabeln till joystickens USB-C-port 18 och någon av datorns\* USB-A-portar.



\*ingår ej



5. Välj **Start / Inställningar / Kontrollpanelen** och dubbelklicka på **Spelkontroller**. Dialogrutan **Spekontroller** visar joystickens namn med statusen **OK**.
6. Klicka på **Egenskaper** på **Kontrollpanelen** för att testa och visa alla funktioner. Du kan även välja höger- (standard) eller vänsterhänt läge.

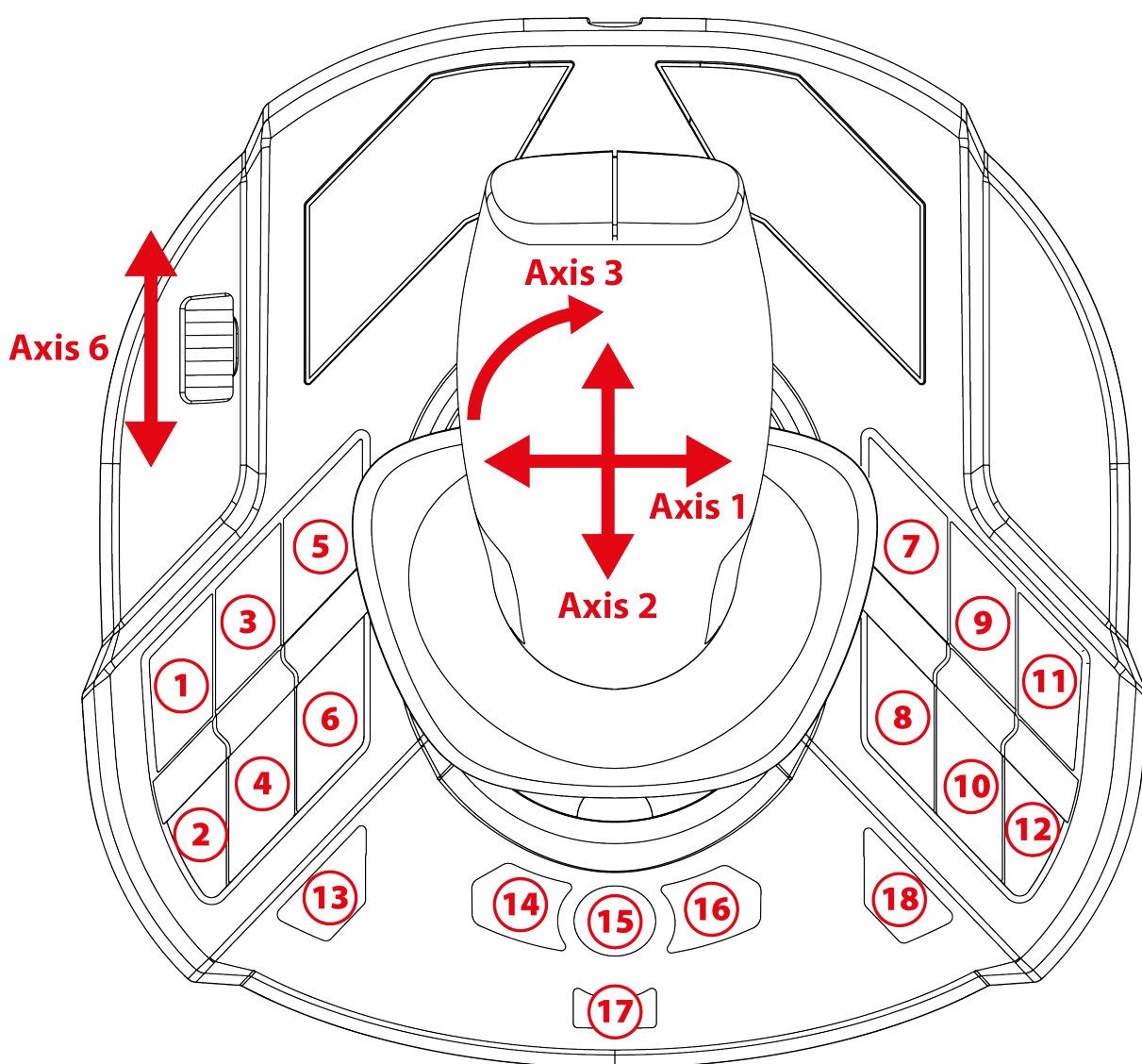
Nu är du redo att spela!



När du ansluter joystickens ska du alltid ha handtaget i dess centrala position och inte röra eller vrida på det (för att undvika kalibreringsproblem).

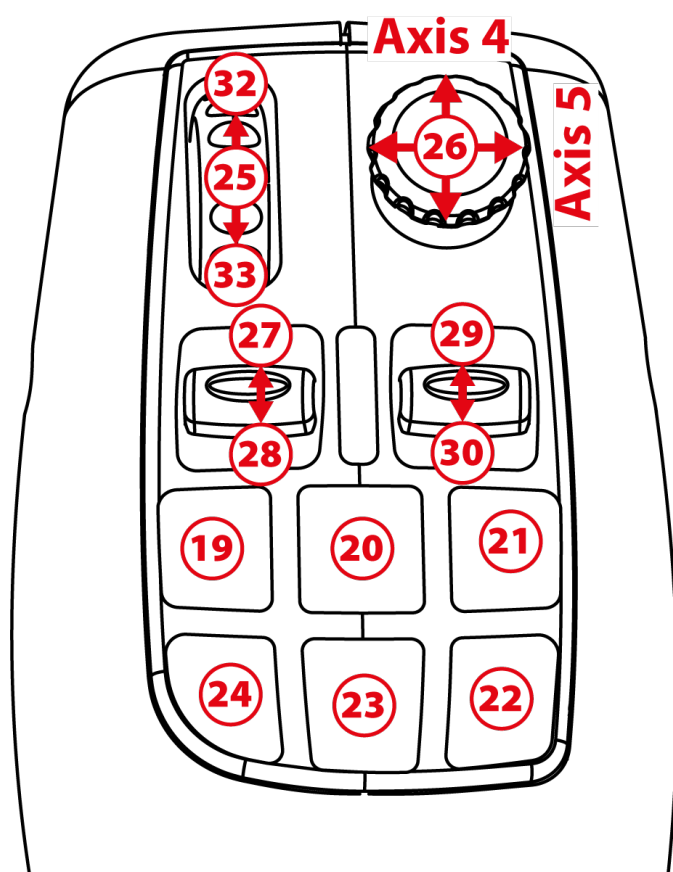


## 8. PC-mappning

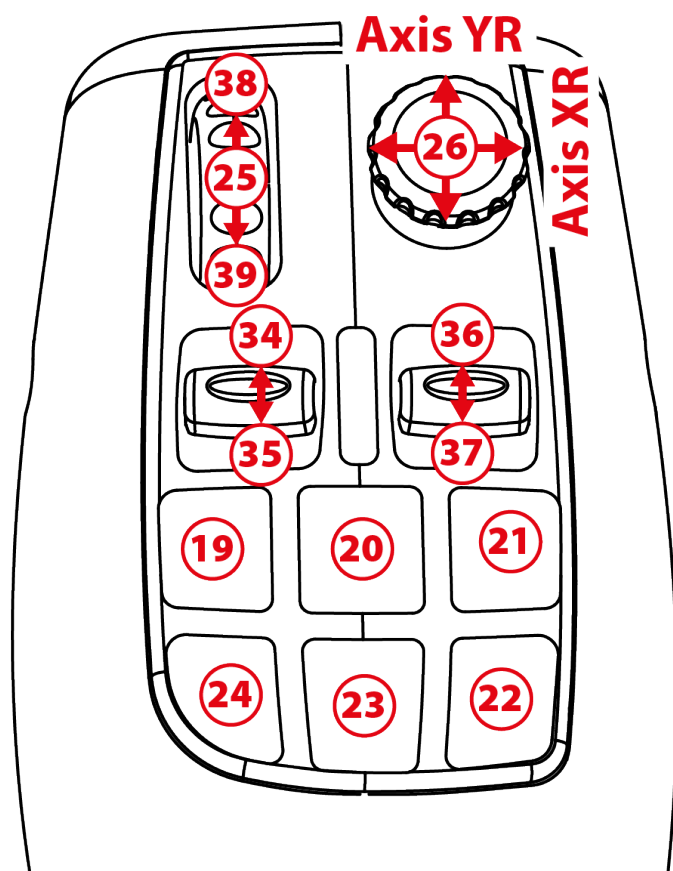


Mappningen är identisk för de höger- och vänsterhänta lägena.

Höger- (standard) eller vänsterhänt läge kan väljas genom att följa **denna** procedur eller på **Kontrollpanelen**. När du använder två joystickar samtidigt hjälper detta läge dig att skilja på dem.

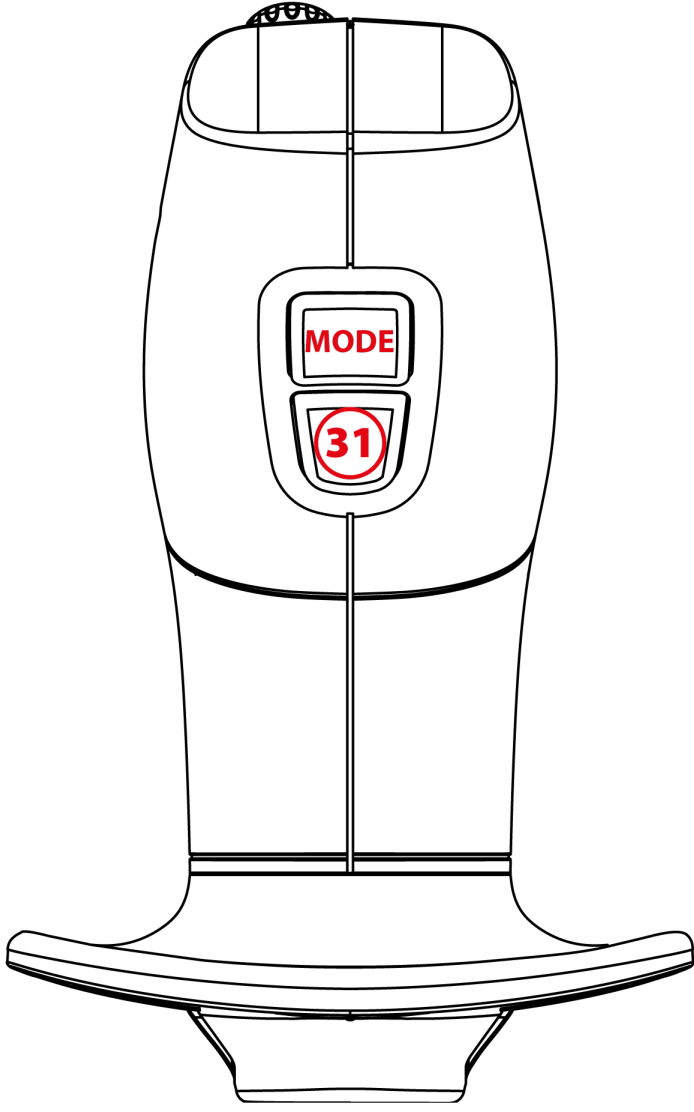


**Körläge**



**Arbetsläge**

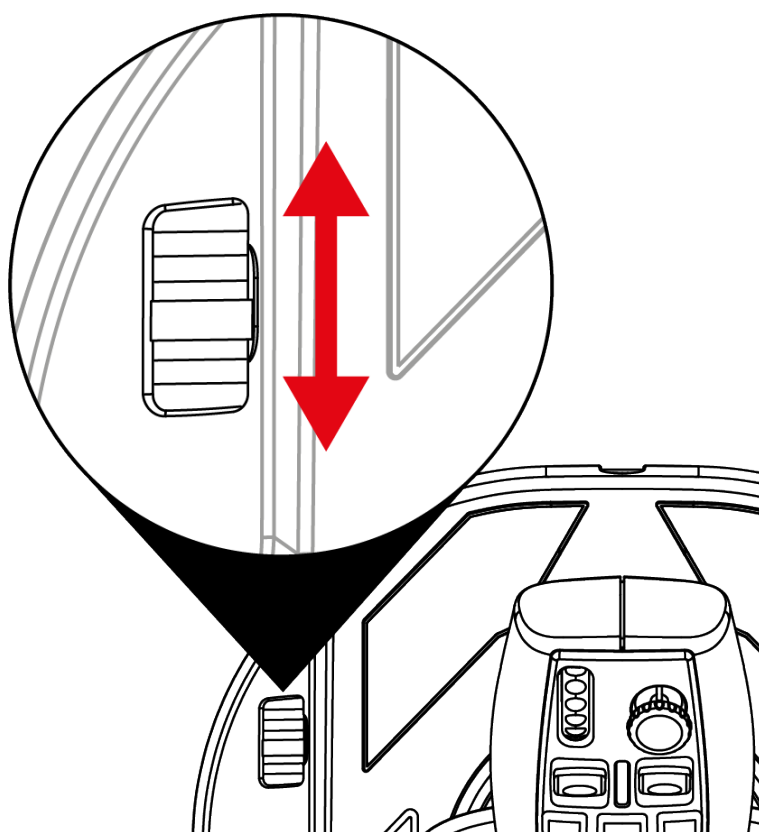






## 9. Gasreglage

Din joystick har ett gasreglage ⑧ som du enkelt kan kontrollera motorvarvtalet med.

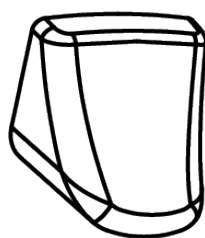




## 10. Utbytbar avtryckare

Din joystick har en utbytbar åtgärdsavtryckare **16** som erbjuder olika spelergonomier.

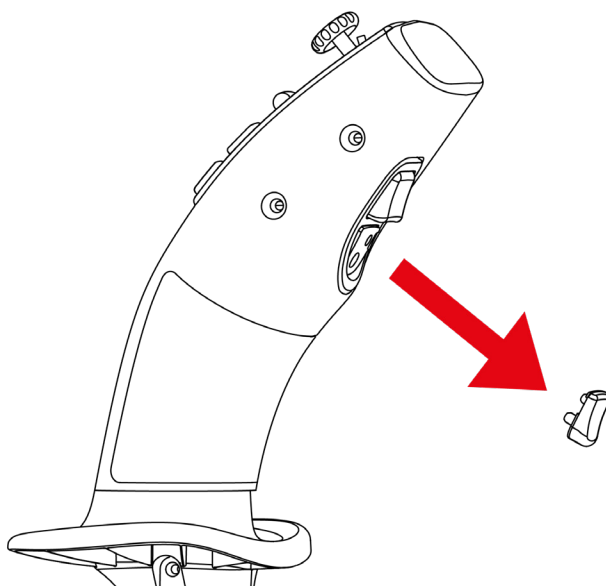
Den som standard installerade avtryckaren kan bytas ut mot en avtryckare som är lämplig för flygsimulering (medföljer SimTask FarmStick).



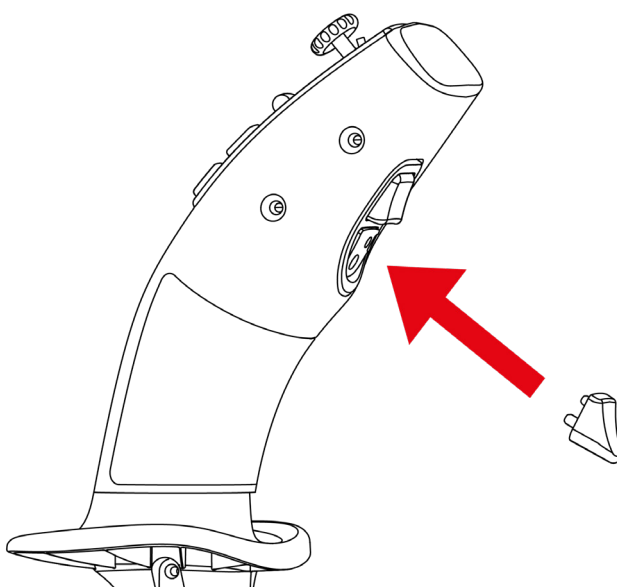


För att byta avtryckare:

1. Placera fingrarna på vardera sidan av avtryckaren och dra försiktigt i den.



2. Sätt i den nya avtryckaren med korrekt position.



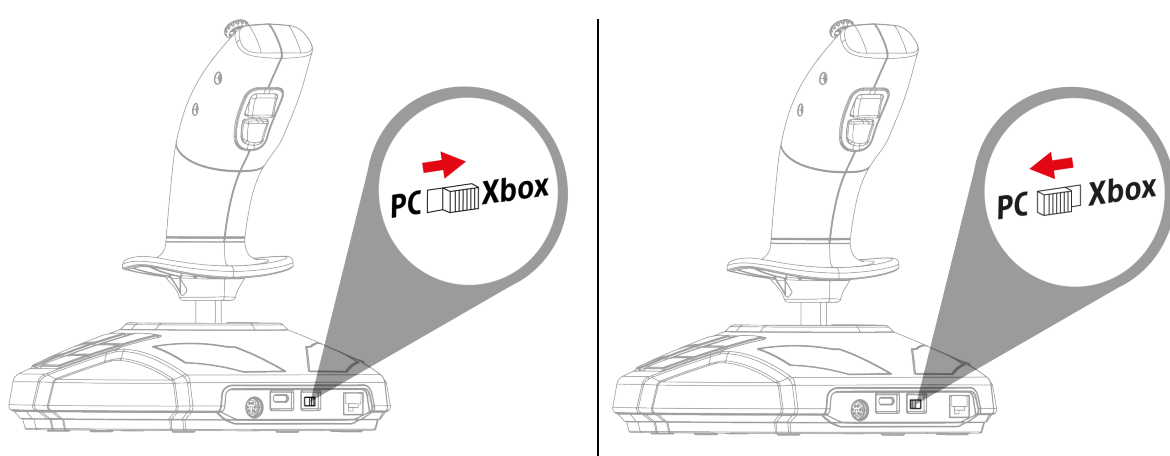
Centreringsstiften måste passa in i hålen i spaken.  
Tryck inte in avtryckaren med våld då det kan skada  
stiften.



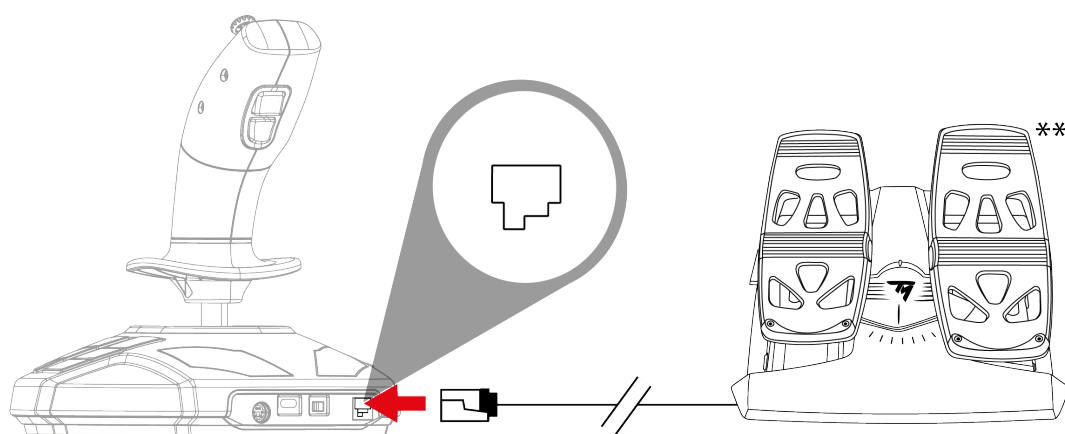
# 11. Installation på Xbox Series X|S\* eller PC\* med TFRP-roder\*\*

TFRP\*\*-rodret ansluter till SimTask FarmStick.

1. Sätt knappen 19 på baksidan av joysticken i Xbox- eller PC-läget.

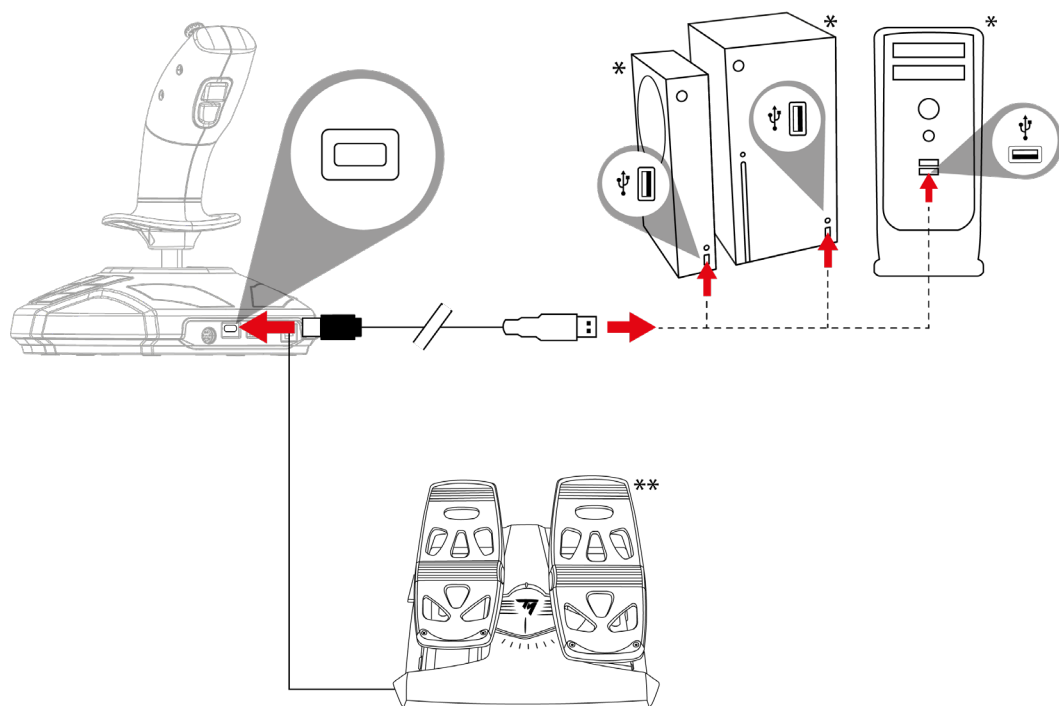


2. Anslut TFRP-rodrets\*\* RJ12-kabel till RJ12-porten 19 på baksidan av joysticken.



*\*ingår ej / \*\*säljs separat*

3. Anslut USB-C till USB-A-kabeln till joystickens USB-C-port **18** och konsolens\* eller datorns\* USB-A-port.



- När du ansluter joysticken ska du alltid ha handtaget i dess centrala position och inte röra eller vrida på det (för att undvika kalibreringsproblem).
- När du ansluter rodret till joysticken: ha alltid rodrets axel i dess centrala position och sätt inte fötterna på roderpedalerna (för att undvika kalibreringsproblem).

*\*ingår ej / \*\*säljs separat*



## 12. Vanliga frågor och teknisk support

### *Min joystick fungerar inte som den ska eller verkar vara felkalibrerad.*

- Stäng av konsolen eller datorn och frångkoppla joystickerna; slå sedan på konsolen eller datorn, anslut joystickerna igen och starta om spelet.
- När du ansluter joystickerna ska du alltid ha handtaget i dess centrala position och inte röra eller vrida på det (för att undvika kalibreringsproblem).
- När du ansluter rodret till joystickerna: ha alltid rodrets axel i dess centrala position och sätt inte fötterna på roderpedalerna (för att undvika kalibreringsproblem).



## *Jag kan inte konfigurera min joystick.*

- Gå till **Alternativ / Kontroll / Handkontroll** eller **Joystick**-menyn i ditt spel: välj lämplig konfiguration eller konfigurera om kontrollalternativen helt och hållet.
- Se spelets bruksanvisning eller onlinehjälp för mer information.





## *Min joystick är för känslig eller inte tillräckligt känslig.*

- Joysticken kalibrerar sig själv när du har gjort några rörelser längs de olika axlarna.
- Gå till **Alternativ / Kontroll / Handkontroll** eller **Joystick**-menyn i ditt spel: justera känsligheten och dödzonerna för joysticken (om dessa alternativ finns).

Har du frågor om SimTask FarmStick eller upplever du tekniska problem? Besök då Thrustmasters tekniska supportsida:

<https://support.thrustmaster.com/product/simtask-farmstick-x/>.



# **THRUSTMASTER®**



# **SIMTASK FARMSTICK**

**XBOX SERIES X|S – PC**

## **Käyttöohje**



**Lue huolella** tästä käyttöohjeesta löytyvät ohjeet, **ennen kuin** asennat tuotteen, **ennen kuin** käytät tuotetta ja **ennen kuin** suoritat mitään huoltoa. Muista noudattaa turvallisuusohjeita. Näiden ohjeiden noudattamattomuus voi johtaa onnettomuuksiin ja/tai vahinkoihin. Pidä tämä käyttöohje tallessa, jotta voit tarkistaa ohjeita myöhemmin.

# SISÄLLYSLUETTELO

1.	LAATIKON SISÄLTÖ .....	5
2.	OMINAISUUDET .....	6
3.	KÄYTÖN TIEDOT .....	9
4.	TUTUSTU SAUVAOHJAIMEESI.....	12
	<i>Tärkeät kohdat.....</i>	<i>12</i>
	<i>H.E.A.R.T. (HallEffect AccuRate Technology)</i>	
	<i>-tarkkuusteknologia .....</i>	<i>13</i>
	<i>Drive-tila &lt;&gt; Work-tila .....</i>	<i>14</i>
	<i>Pyörityskahva .....</i>	<i>17</i>
	<i>”Näkymän” minisauva .....</i>	<i>18</i>
	<i>SimTask FarmStick -ohjaimen yhdistettävyyys</i>	
	<i>Xbox Series X S* -konsoleilla ja PC-</i>	
	<i>tietokoneella* .....</i>	<i>19</i>
	<i>Oikea- ja vasenkätinen sauvaohjaimen</i>	
	<i>määritys.....</i>	<i>21</i>

<b>5. ASENNUKSEEN XBOX SERIES X S</b>	
<b>-KONSOLILLA .....</b>	<b>24</b>
<b>6. MÄÄRITTÄMINEN XBOX-KONSOLEILLE .....</b>	<b>26</b>
<b>7. ASENNUKSEEN PC-TIETOKONEELLA .....</b>	<b>29</b>
<b>8. MÄÄRITTÄMINEN PC-TIETOKONEELLE .....</b>	<b>31</b>
<b>9. KAASU .....</b>	<b>34</b>
<b>10. VAIHDETTAVA LIIPAINEN .....</b>	<b>35</b>
<b>11. ASENNUKSEEN XBOX SERIES X S* -KONSOLILLE TAI PC:LLE*, JOSSA ON TFRP- PERÄSINPOLKIMET** .....</b>	<b>37</b>
<b>12. UKK JA TEKNINEN TUKI.....</b>	<b>39</b>

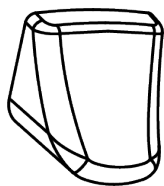
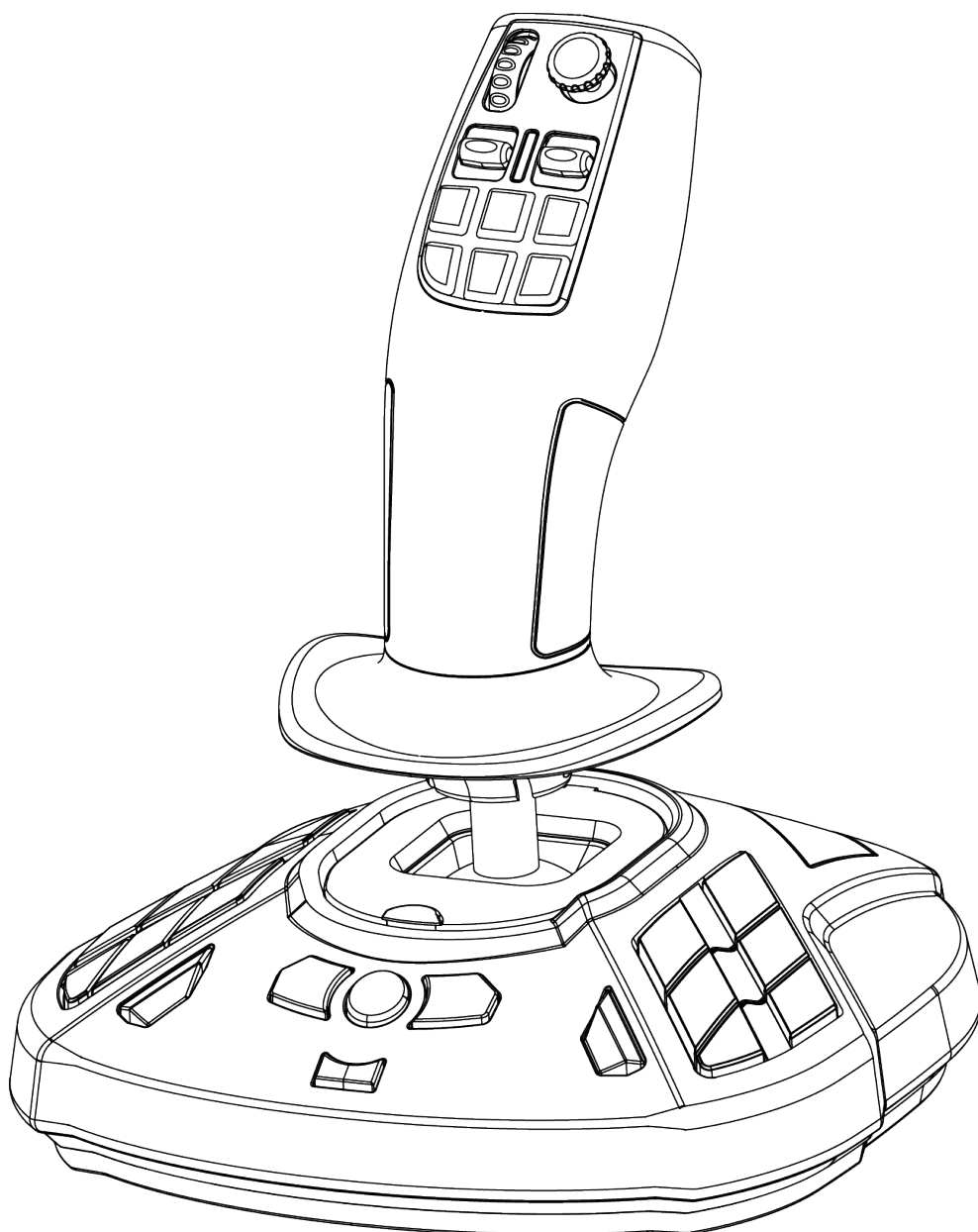


Voit Thrustmasterin SimTask FarmStickin avulla nauttia laitteesta, joka soveltuu täydellisesti maatalous- ja rakennuskoneiden hallintaan. Lisäksi voit käyttää SimTask FarmStickia sauvaohjaimena lentosimulaattoreissa.

Tämä käyttöohje auttaa asentamaan SimTask FarmStickin ja käyttämään sitä parhaissa olosuhteissa. Ennen kuin aloitat, muista lukea kaikki nämä ohjeet ja varoitukset huolella: ne auttavat ottamaan kaiken nautinnon irti tuotteesta.

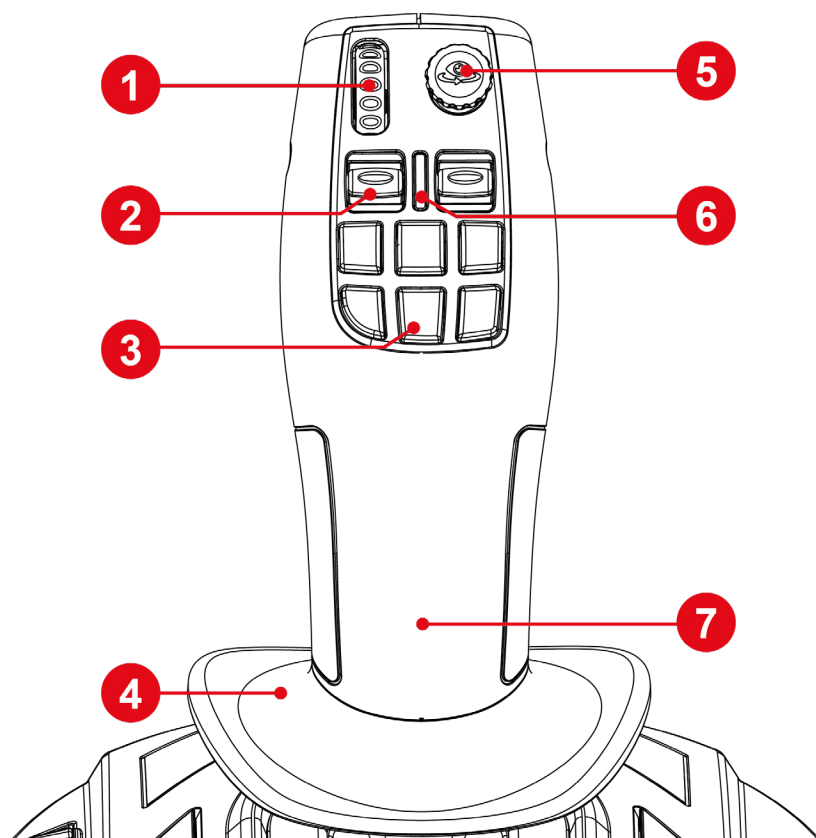


# 1. Laatikon sisältö

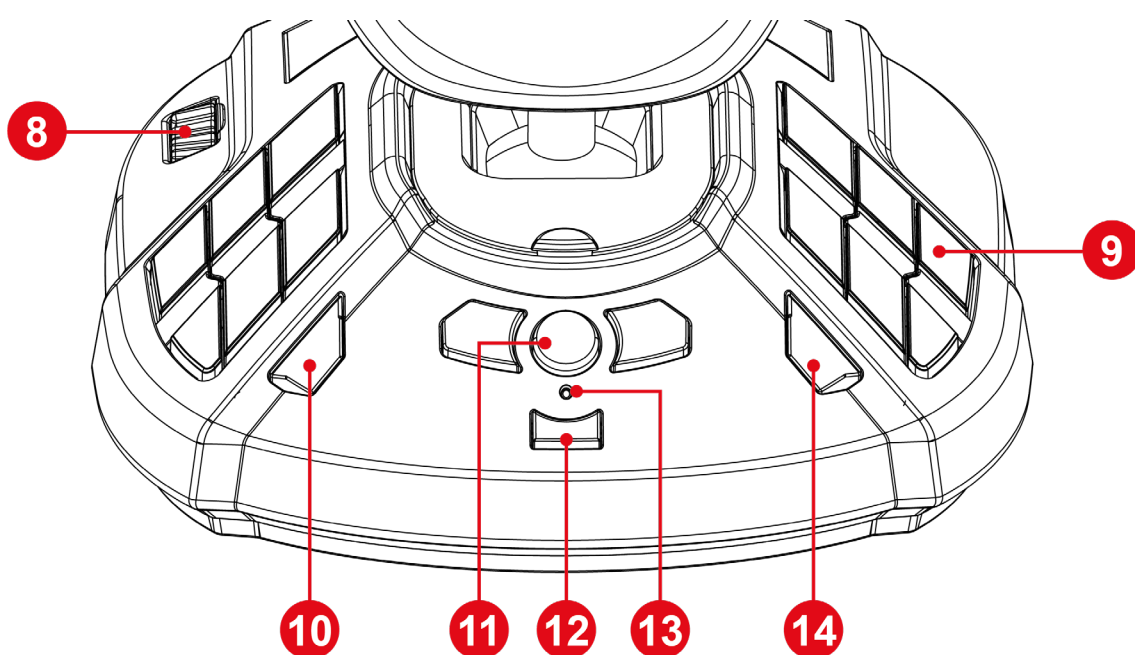




## 2. Ominaisuudet



1. Peukaloratas
2. Valintakytkin
3. Pikatoimintopainikkeet
4. Käsituki
5. "Point-of-view" mini-stick
6. Sauvan tilan LED-merkkivalo
7. Molempikätinen kahva



8. Kaasu

9. Ohjelmoitavat toimintonäppäimet

10. View (Näkymäpainike)

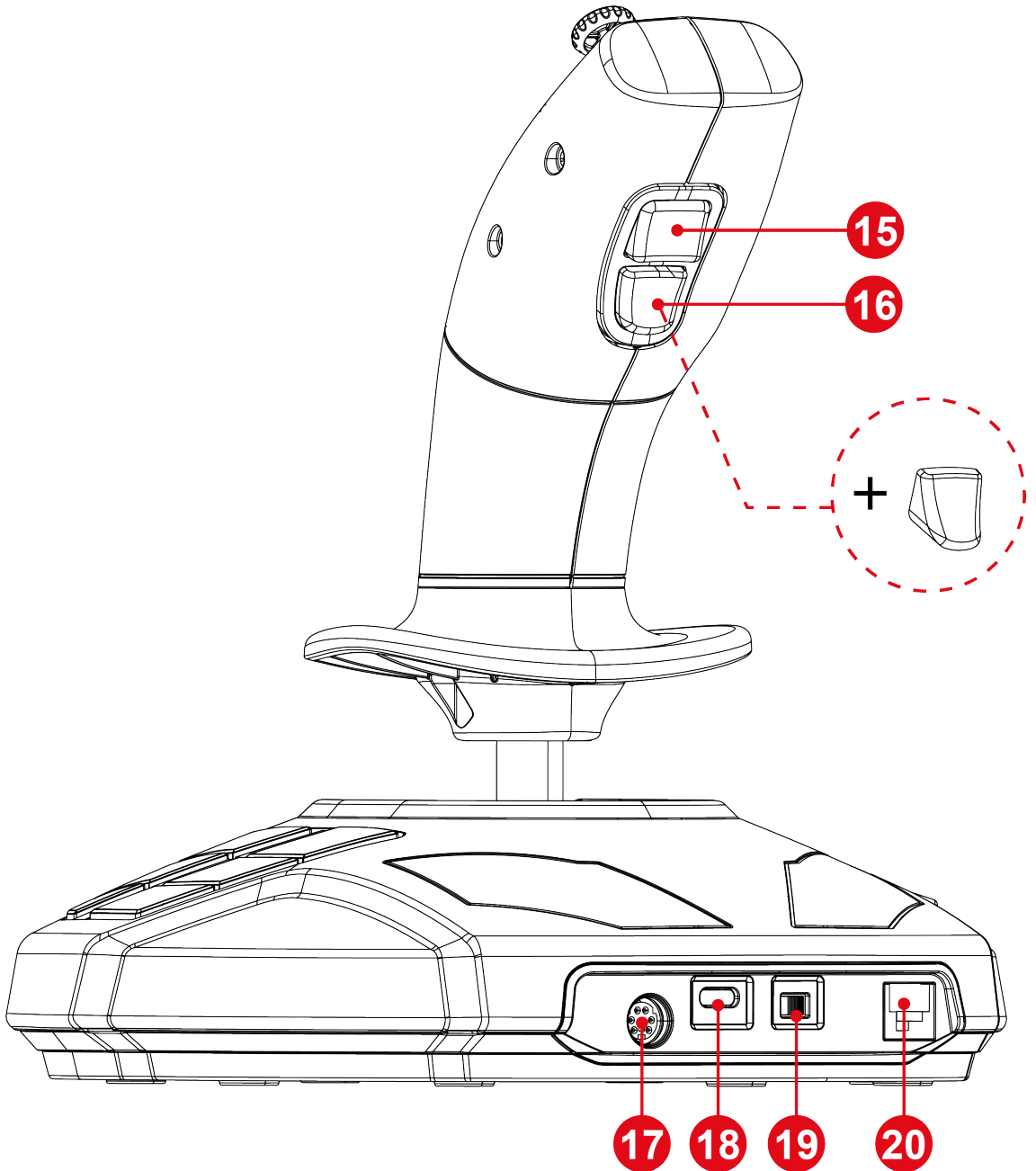
11. Xbox-painike

12. Share (Jaa-painike)

13. Merkkivalo

14. Menu (Valikkopainike)





- 15. Sauvan tilanvaihtonäppäin
- 16. Vaihdeettava toimintoliipaisin
- 17. DIN-portti lisävarusteita\* varten
- 18. USB-C-portti
- 19. Xbox-/PC-tilan valintanäppäin
- 20. RJ12-portti TFRP-peräsinpolkimia\* varten

*\*Myydään erikseen*



### 3. Käytön tiedot



#### **Ohjekirja**

Lue tämä ohjekirja huolella ennen tuotteen käyttöä ja säilytä se vastaisuuden varalle.



## Sähköisku

- Pidä tuote kuivassa paikassa, älä altista sitä pölylle tai auringonvalolle.
- Huomioi liitinten suunnat.
- Älä väännä tai vedä liittimiä tai kaapeleita.
- Älä kaada nestettä tuotteen tai sen liitinten päälle.
- Älä aiheuta tuotteelle oikosulkua.
- Älä pura tuotetta; älä heitä tuotetta tuleen tai altista sitä korkeille lämpötiloille.
- Älä avaa laitetta: sisällä on osia, jotka eivät ole käyttäjien huollettavissa. Kaikista huolloista vastaa valmistaja, sen ennalta määritetty edustaja tai pätevä asentaja.



### **Pelialueen varmistaminen**

- Älä aseta mitään esinettä pelialueelle, joka voi häiritä käyttäjän toimintaa, aiheuttaa sopimattomia liikkeitä tai johtaa toisen henkilön aiheuttamaan häiriöön (esimerkiksi kahvimuki, puhelin tai avaimet).
- Älä peitä virtajohtoja matolla, viltillä, peitolla tai muulla esineellä, äläkä sijoita johtoja minnekään, mistä ihmiset kävelevät.



## 4. Tutustu sauvaohjaimeesi

### *Tärkeät kohdat*

- 33 painiketta ja 6 virtuaaliakselia, mukaan lukien peukaloratas ja kaksi valintakytkintä
- 6 akselia, mukaan lukien minisauva, sauvaohjaimen kahvan kierto ja kaasuu
- Sauvan tilan LED-merkkivalo
- H.E.A.R.T.-teknologia (HallEffect AccuRate Technology)
- USB-A-porttiin yhdistäminen
- Kaasuu
- RJ12-portti TFRP-peräsinpolkimille\*

*\*Myydään erikseen*



## ***H.E.A.R.T. (HallEffect AccuRate Technology) -tarkkuusteknologia***

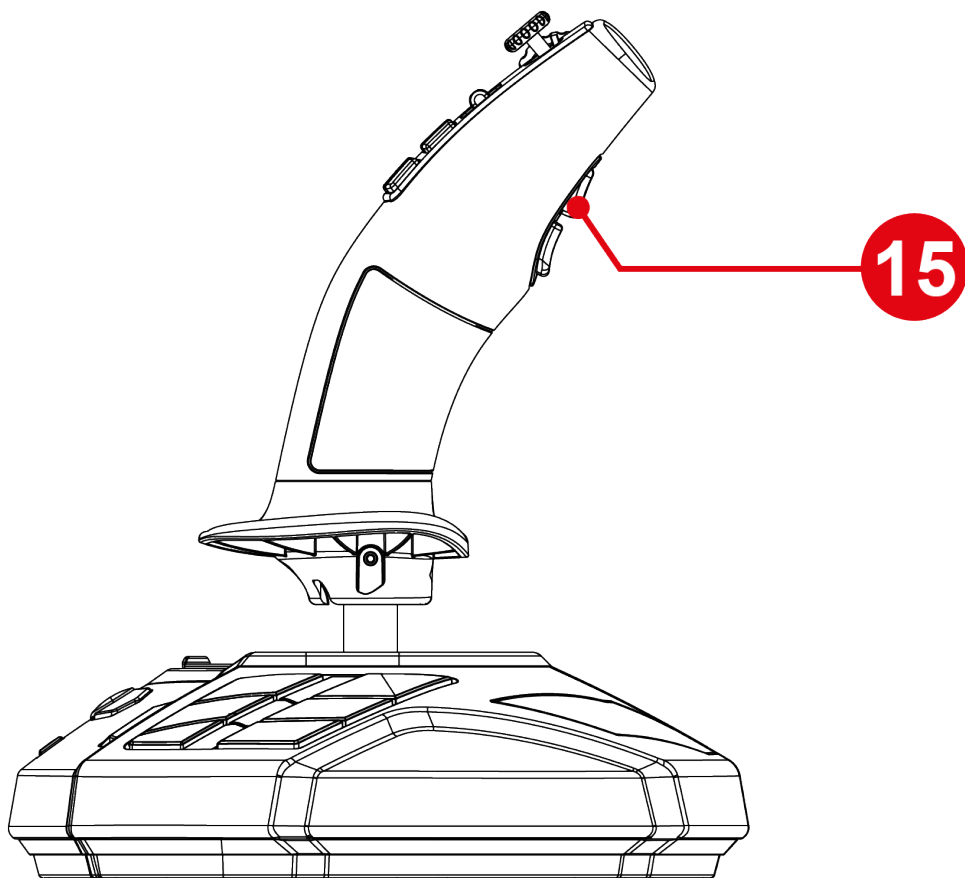
SimTask FarmStick sisältää sellaisen tarkkuuden tason mahdollistavaa teknologiaa, jolle ei mikään peliohjain maailmassa vedä tällä hetkellä vertoja, mukaan lukien:

- Sauvan 3D (Hall-ilmiö) -magneettianturit tarjoavat yli 268 miljoonan arvon resoluution X- ja Y-akseleilla (16 384 x 16 384), kun kilpailevat järjestelmät (jopa huippuluokan järjestelmät) tarjoavat vain noin 1 miljoonan arvon resoluutioita (1 024 x 1 024).
- Magneetti: kitkattomuus tarjoaa rajatonta tarkkuutta ja uskomatonta vastetta, joka kestää.
- Sauvassa on kierrejousi (2,8 mm): vakaa, lineaarinen ja äärimmäisen sulava jäykkyys.



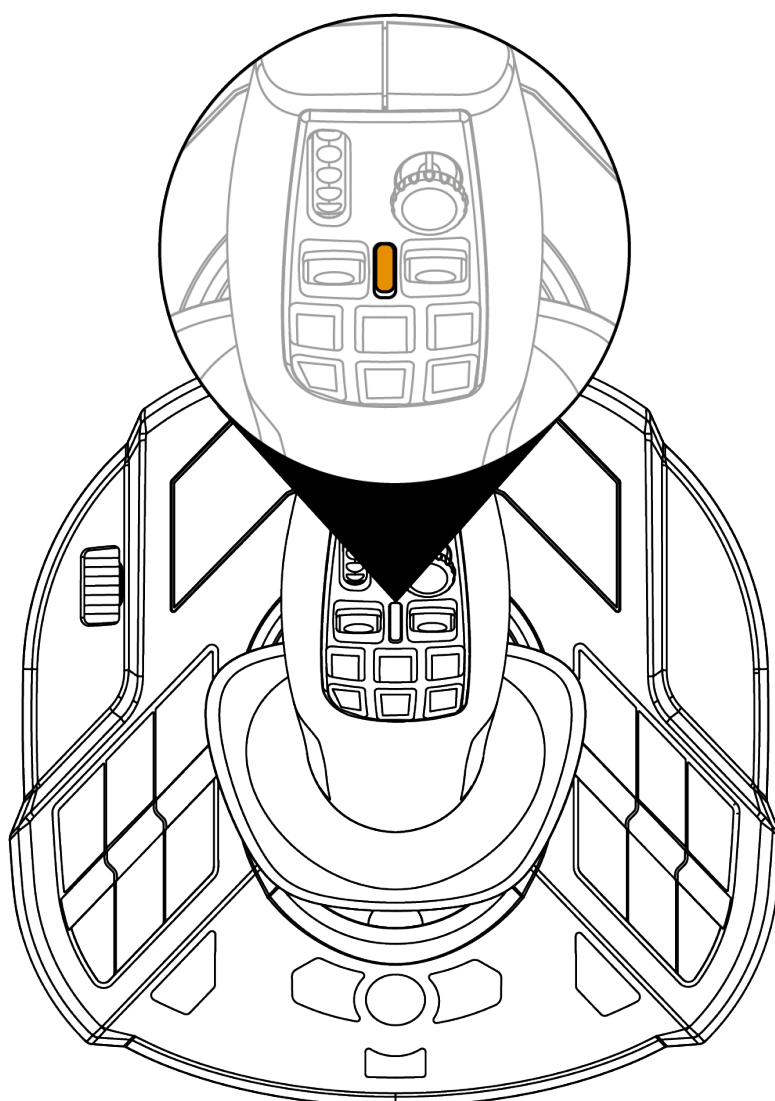
## Drive-tila <> Work-tila

Näppäin 15 sallii vaihdot Drive- ja Work-tilan välillä.



Tämä ominaisuus laajentaa peukalolla suoritettavia toimintoja, eli peukalorattaan 1 ja kahden valintakytkimen 2 kautta.

Käyttötilan vaihtaminen muokkaa peukalorattaaseen 1 ja valintakytkimiin 2 liitettyjä toimintoja.



### Drive-tila (oletus)

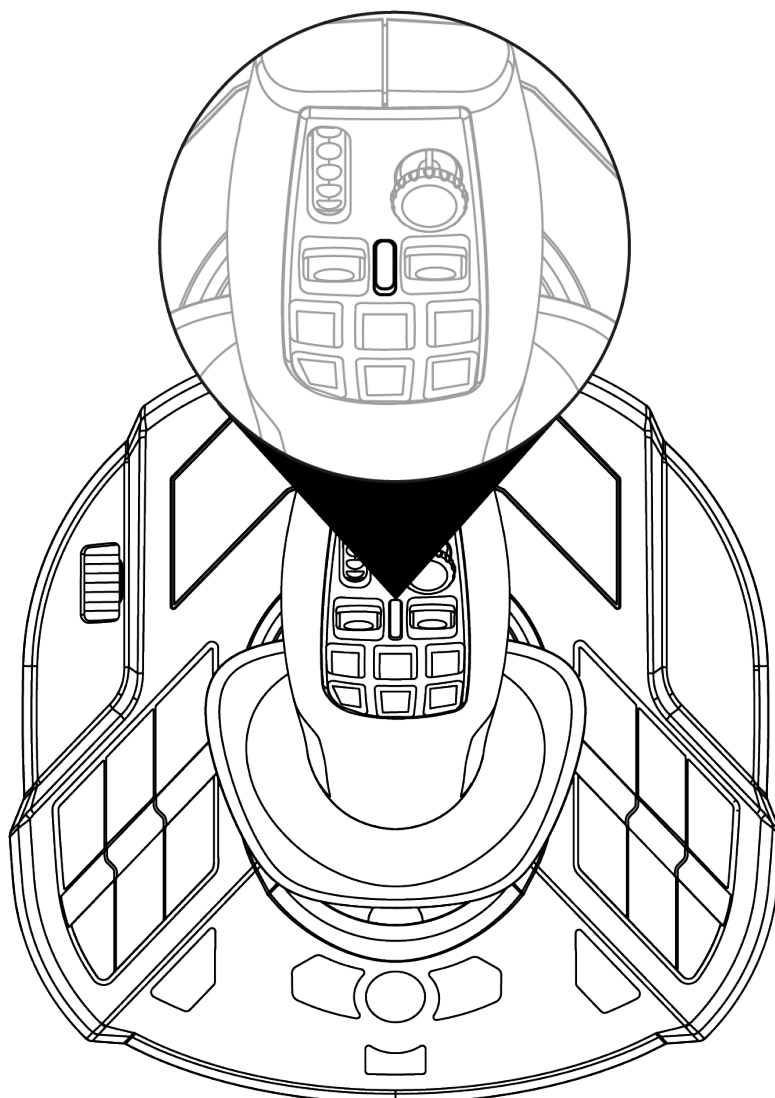
**Drive**-tilassa sauvan tilan LED-merkkivalo ⑥ palaa oranssina.



**Drive**-tilassa peukalorattaan ① ja valintakytkinten ② toiminnot ovat seuraavat:

- Peukaloratas: rajoittimen hallinta.
- Valintakytkimet: vaihteiston hallinta.





## Work-tila

**Work-tilassa** sauvan tilan LED-merkkivalo **6** palaa valkoisena.



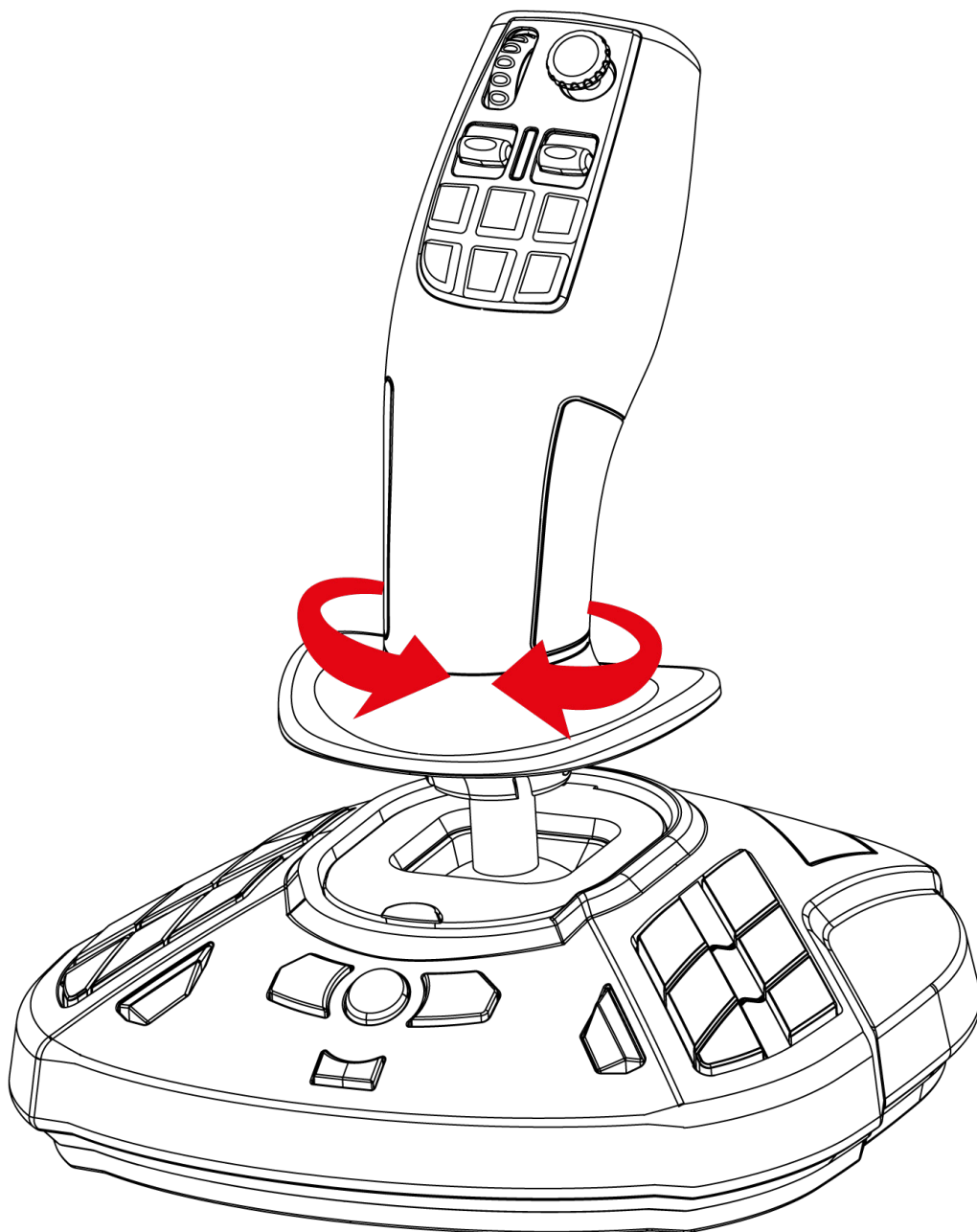
**Work-tilassa** peukalorattaan **1** ja valintakytkinten **2** toiminnot ovat seuraavat:

- Peukaloratas: kameran zoomin hallinta.
- Valintakytkimet: nostokurjen tai kuormaajan hallinta.



## Pyörityskahva

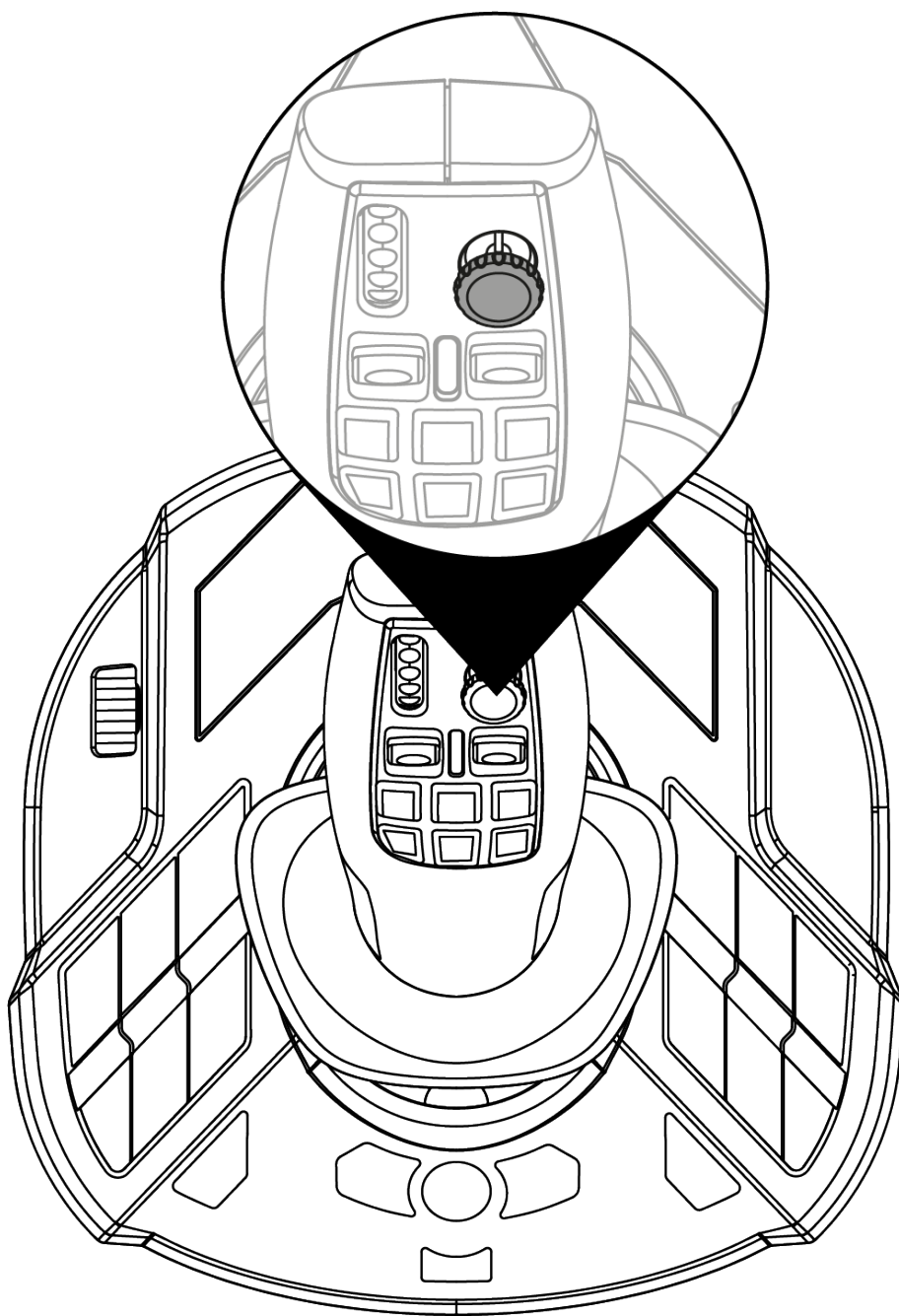
SimTask FarmStick sisältää kahvan, jota voi pyörittää horisontaalisella akselillaan. Siitä on hyötyä esimerkiksi nostokurjen pään tai kaivurin liikuttamisessa.





## ***”Näkymän” minisauva***

SimTask FarmStick sisältää ”näkymän” minisauvan **5**, joka sallii koneoperaattorin näkökentän tarkkailun.





## ***SimTask FarmStick -ohjaimen yhdistettävyys Xbox Series X|S\* - konsoleilla ja PC-tietokoneella\****

SimTask FarmStickissa on kuusi akselia, mutta tarjoaa lisäksi mahdollisuuden liittää sauvaohjaimen takaosaan TFRP-peräsinpolkimet\*\*. Tämä antaa kaksi akselia lisää, samoin kuin mahdollisuuden ohjata peräsintä TFRP:llä.

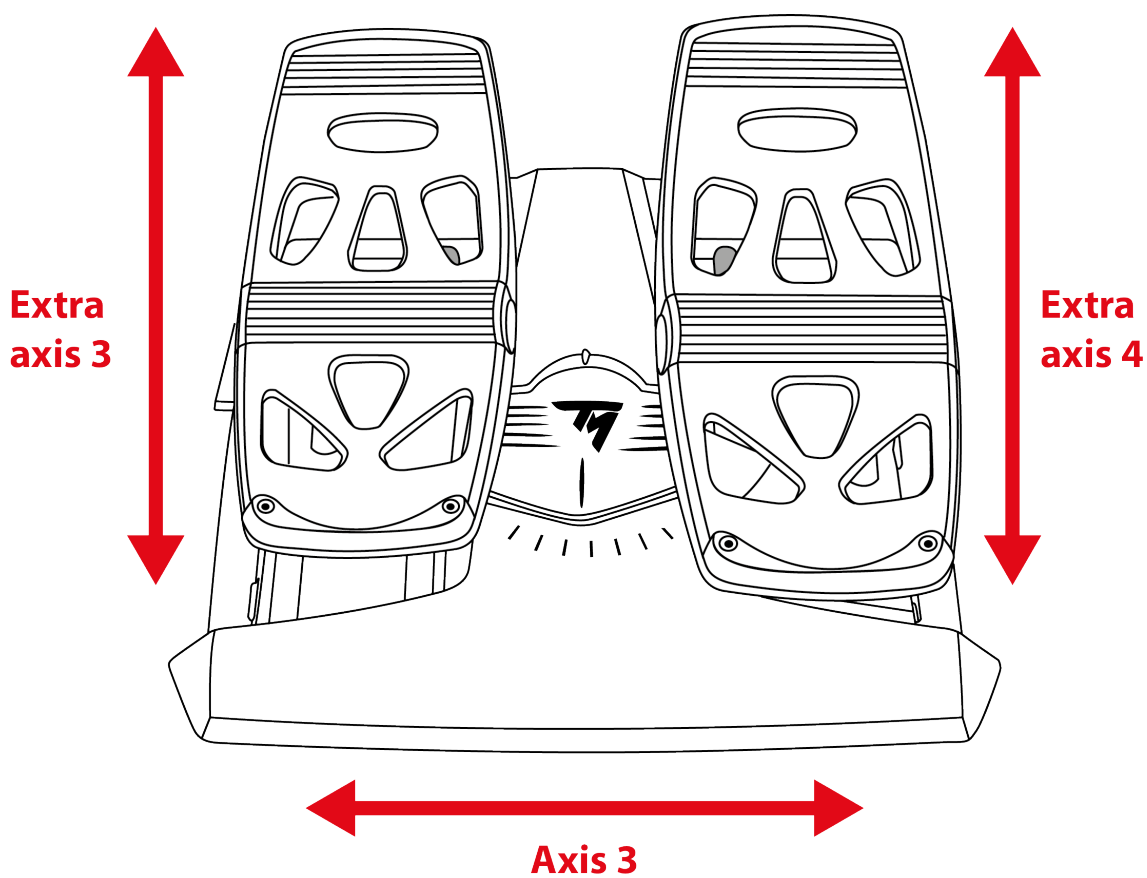


TFRP-peräsinpolkimet ovat ainoa laite, jota tukevat sekä Xbox Series X|S että PC-tietokone.

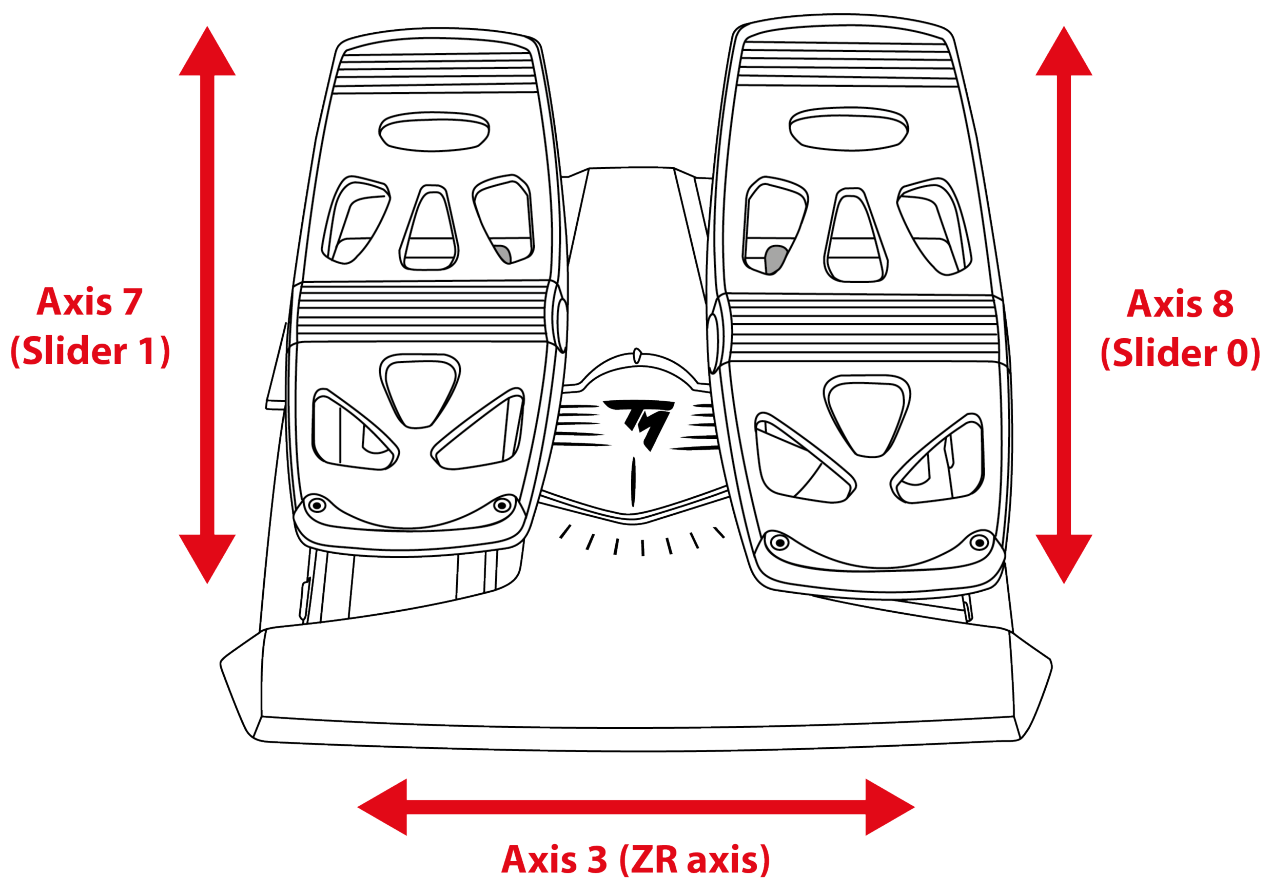
*\*Ei tule mukana / \*\*myydään erikseen*



Määrittäminen Xbox-konsolille:



Määrittäminen PC-tietokoneelle:





## *Oikea- ja vasenkätinen sauvaohjaimen määrittäminen*

SimTask FarmStick on molempikäätinen, jotta kaikki pelaajat voivat pelata sillä mukavasti, olivat he sitten oikea- tai vasenkätisiä.

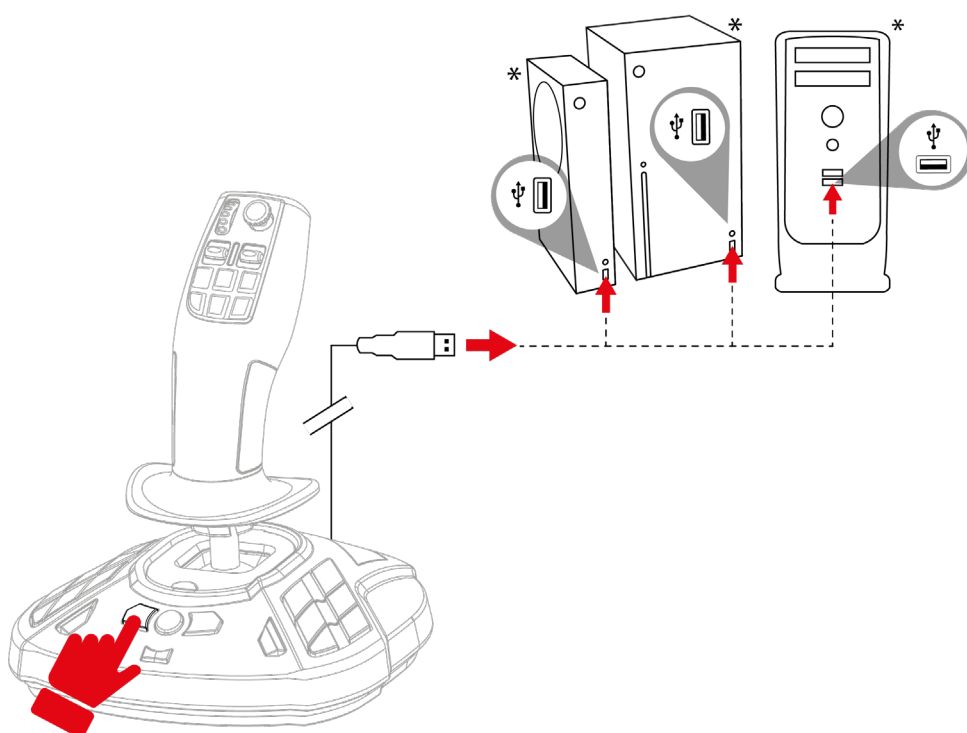
Sauvaohjain on oletuksena asetettu oikeakätiseen tilaan.



Jos haluat asettaa sauvaohjaimen VASENKÄTISEEN tilaan:

1. Pidä painettuna näppäintä 14 (PC-tietokoneella) tai Prev (Xbox Series X|S -konsolilla), kun yhdistät SimTask FarmStickia Xbox Series X|S -konsoliin tai PC-tietokoneeseen.

Sauvan LED-merkkivalo **6** välkkyä valkoisena viiden sekunnin ajan.



2. Päästä näppäin 14 (PC-tietokoneella) tai Prev (Xbox Series X|S -konsolilla).



VASENKÄTINEN tila tallentuu automaattisesti SimTask FarmStickin sisäiseen muistiin.

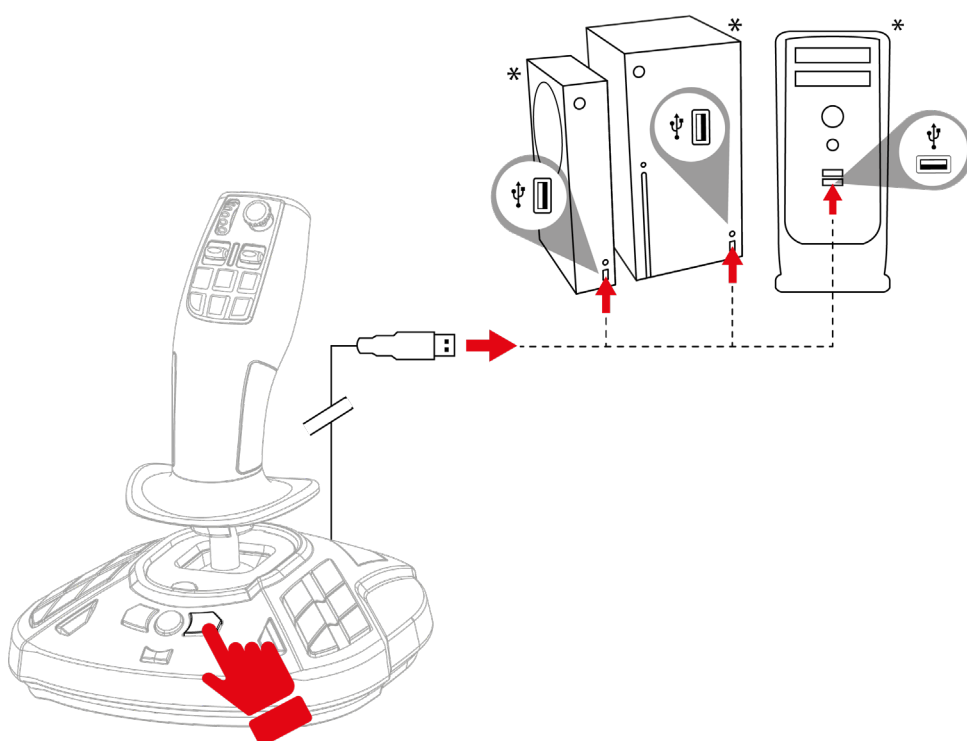
*\*Ei tule mukana*



Jos haluat palauttaa sauvaohjaimen OIKEAKÄTISEEN tilaan:

1. Pidä painettuna näppäintä 16 (PC-tietokoneella) tai Next (Xbox Series X|S -konsolilla), kun yhdistät SimTask FarmStickia Xbox Series X|S -konsoliin tai PC-tietokoneeseen.

Sauvan LED-merkkivalo **6** välkkyi oranssina viiden sekunnin ajan.



2. Päästä näppäin 16 (PC-tietokoneella) tai Next (Xbox Series X|S -konsolilla).



OIKEAKÄTINEN tila tallentuu automaattisesti SimTask FarmStickin sisäiseen muistiin.

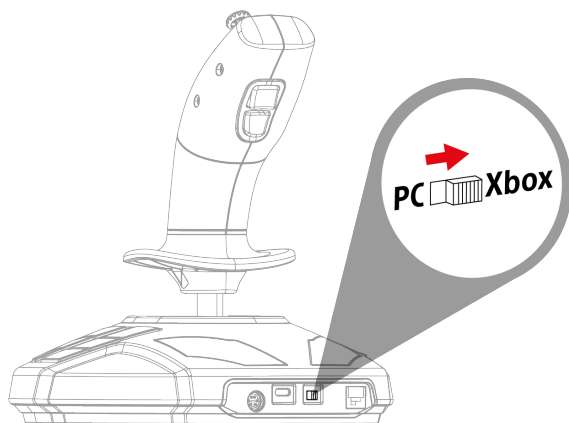
*\*Ei tule mukana*



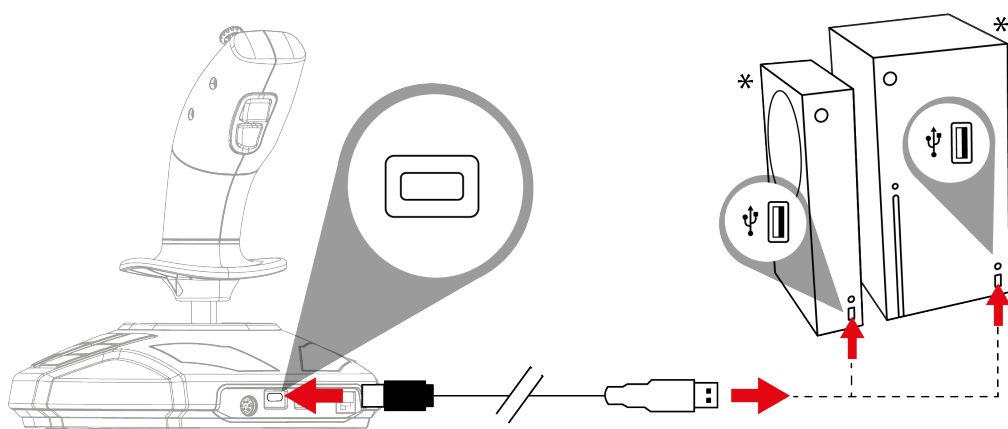


## 5. Asennus Xbox Series X|S - konsolilla

1. Aseta kytkin **19** sauvaohjaimen takaosassa asentoon Xbox.



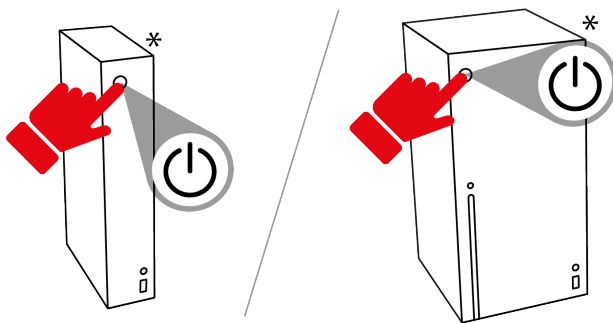
2. Liitä USB-C – USB-A -johto sauvaohjaimen USB-C-porttiin **18** ja yhteen konsolin\* USB-A-porteista.



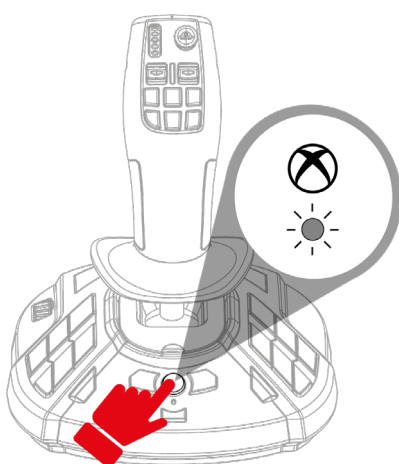
*\*Ei tule mukana*



3. Käynnistä konsoli.



4. Paina Xbox-painiketta. Sauvaohjaimen merkkivalo palaa valkoisena.



5. Käynnistä yhteensopiva peli.

Olet nyt pelivalmis!

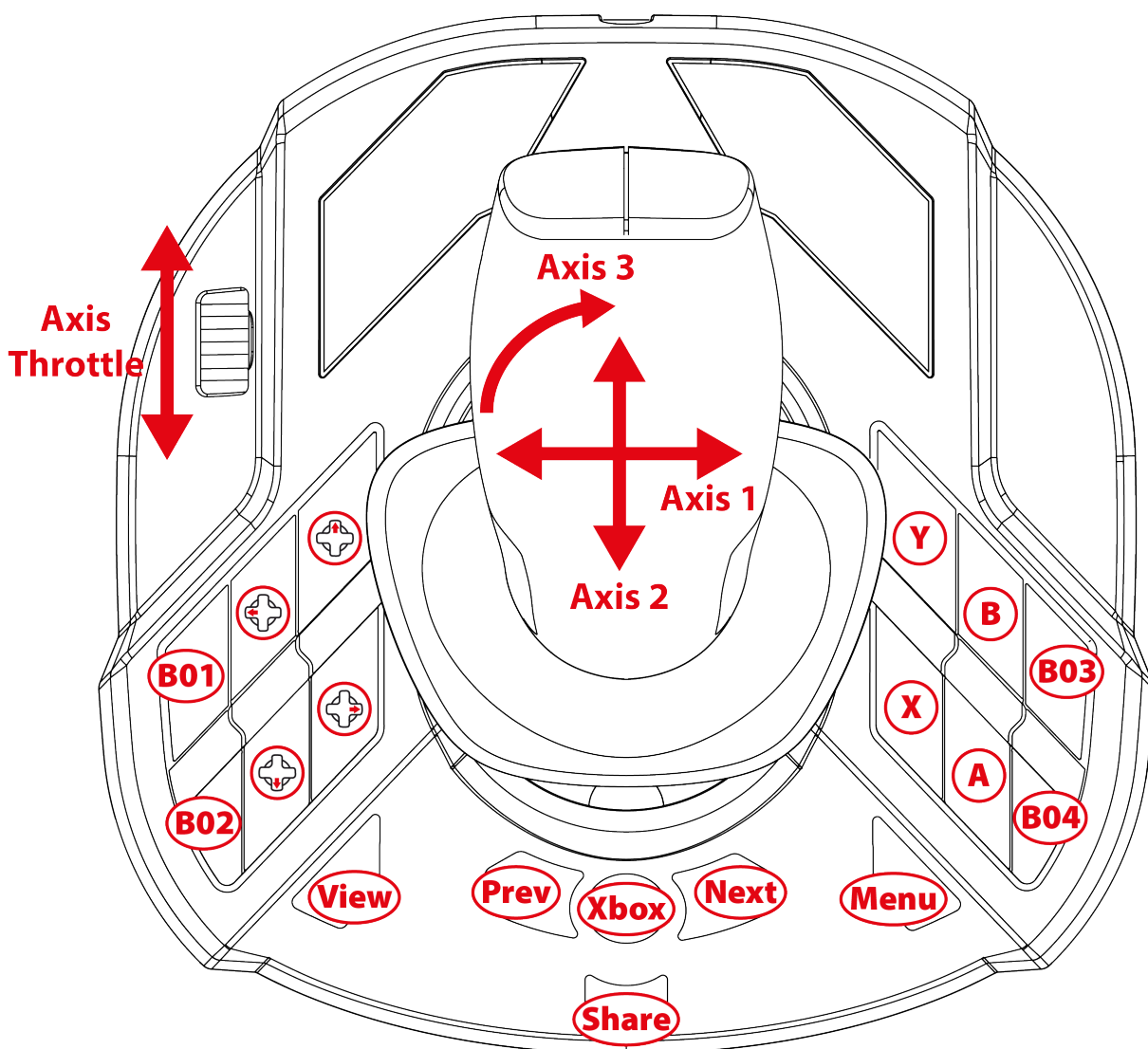


Kun yhdistät sauvaohjainta, pidä sen kahva aina keskiasennossa. Älä liikuta tai kierrä sitä, jotta vältät kalibrointiongelmia.

*\*Ei tule mukana*

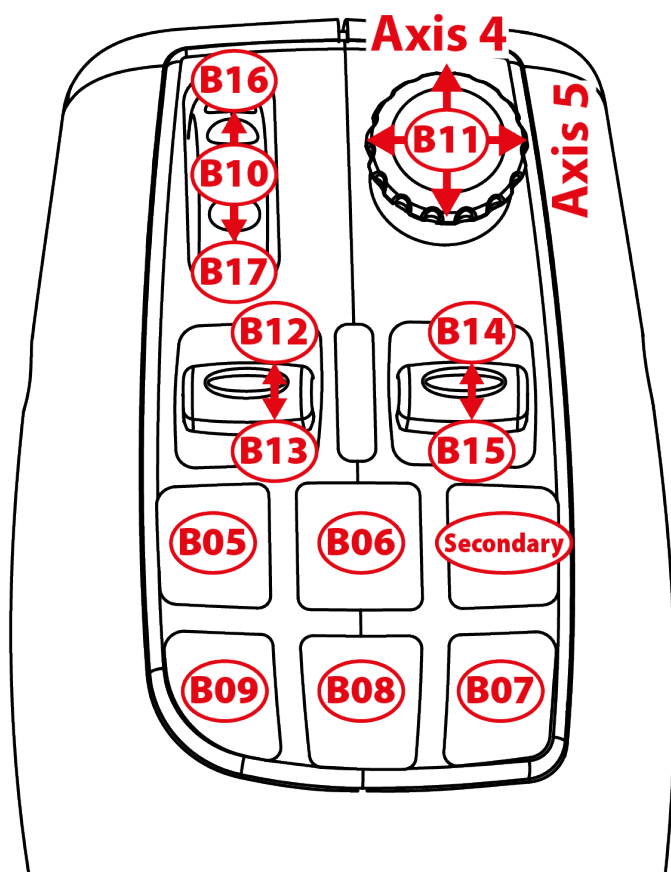


## 6. Määrittäminen Xbox-konsoleille

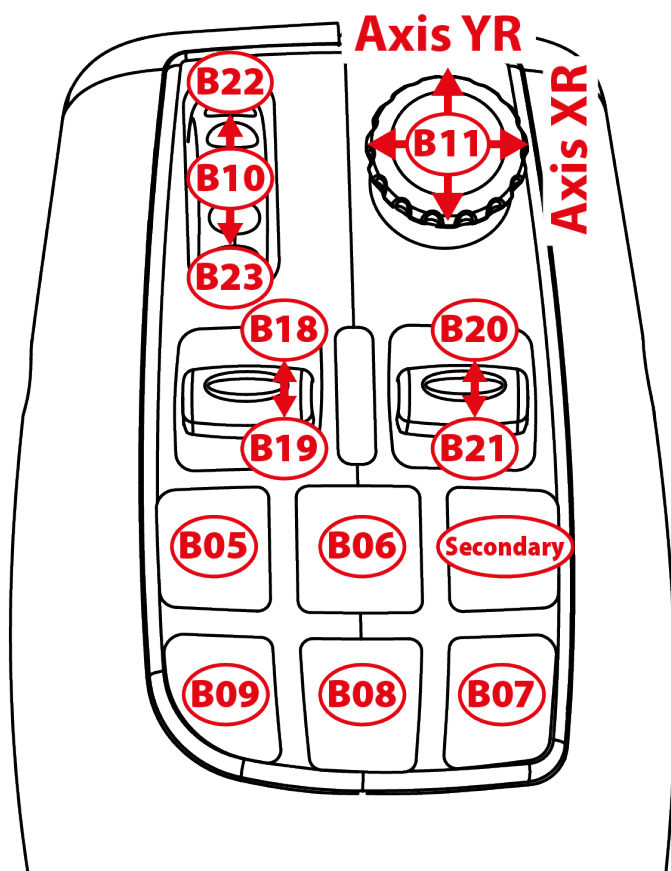


Määritykset ovat samanlaiset oikea- ja vasenkätisissä tiloissa.

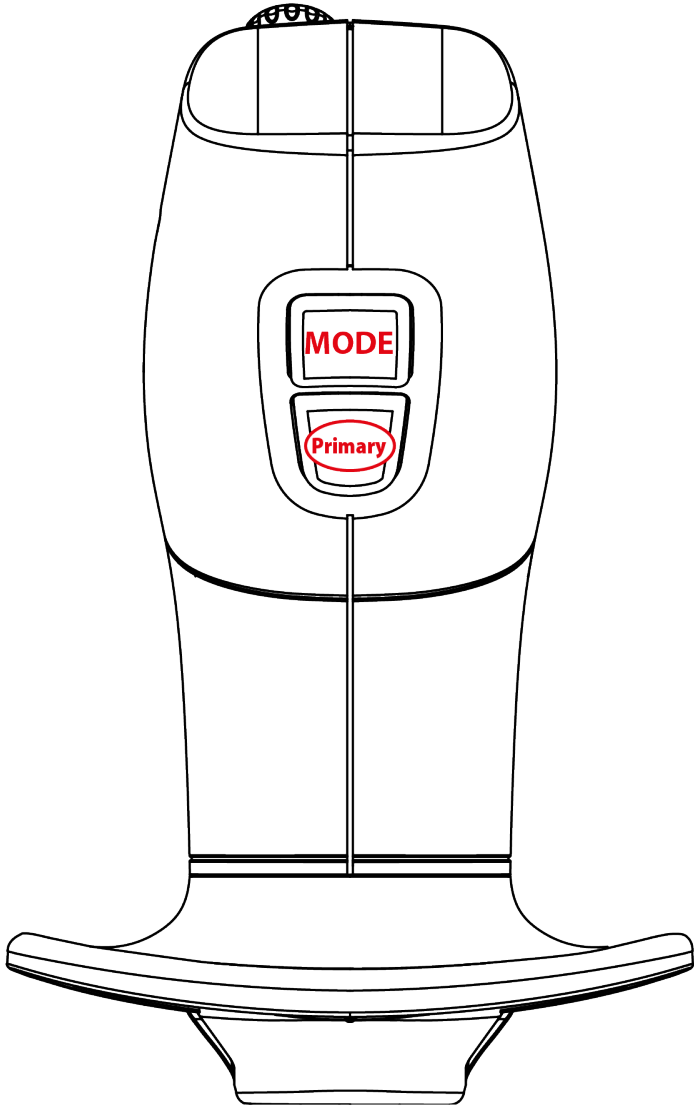
Oikeakätinen (oletus) / vasenkätinen tila voidaan valita seuraamalla **tätä** menettelyä. Kun käytössä on yhtä aikaa kaksi sauvaohjainta, tämä tila auttaa erottamaan niiden välillä.



**Drive-tila**



**Work-tila**





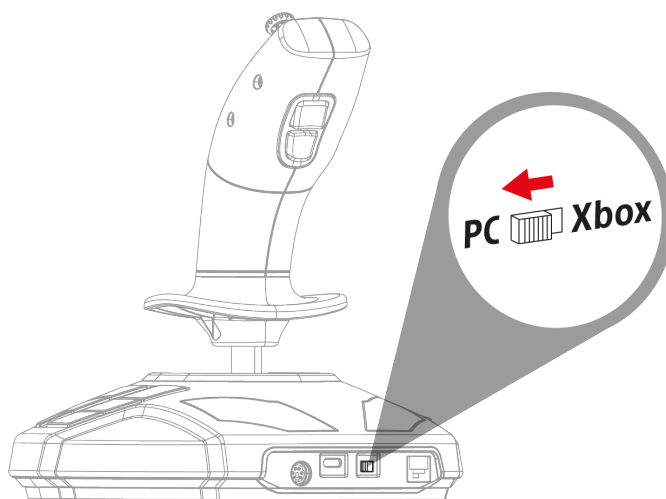
## 7. Asennus PC-tietokoneella

1. Käy osoitteessa:

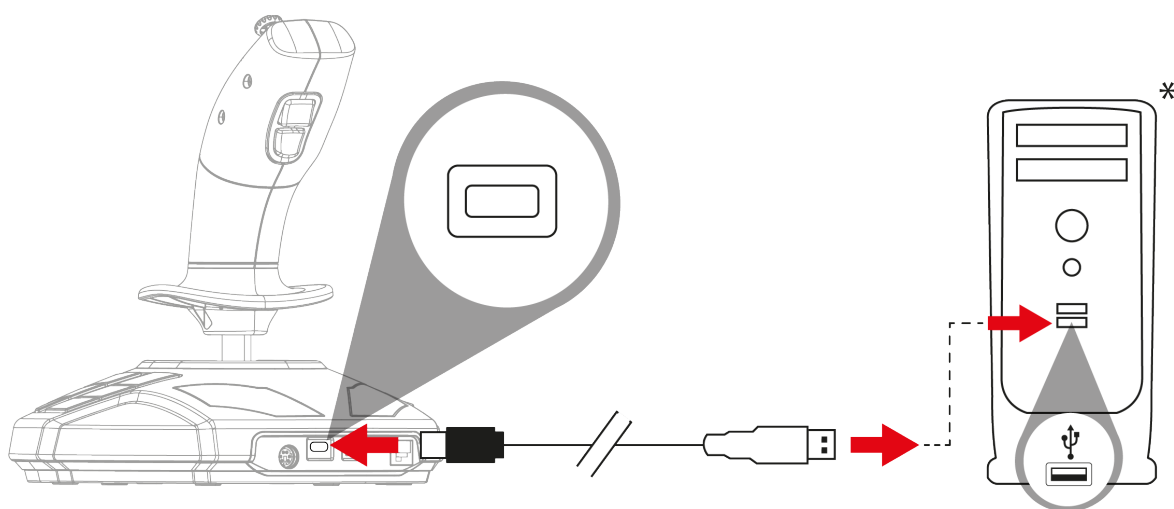
<https://support.thrustmaster.com/product/simtask-farmstick-x/>.

2. Lataa ja asenna PC-ajuri sekä sen muokattu käyttöliittymä Windows-hallintapaneelia varten.

3. Kun PC-ajuri on asennettu, aseta kytkin **19** sauvaohjaimen takaosassa asentoon PC.



4. Kytke USB-C – USB-A -johto sauvaohjaimen USB-C-porttiin **18** ja yhteen PC:n\* USB-A-porteista.



*\*Ei tule mukana*



5. Valitse **Aloitus / Asetukset / Ohjauspaneeli** ja kaksoisnapsauta kohtaa **Peliohjaimet**. **Peliohjaimet-**valintaruudussa näkyy sauvaohjaimen nimi sekä **OK-**tila.

6. Napsauta **Ohjauspaneeli**-ikkunassa kohtaa **Ominaisuudet**, jos haluat testata ja tarkastella kaikkia ominaisuuksia. Voit myös valita oikeakätisen tilan (oletus) tai vasenkätisen tilan.

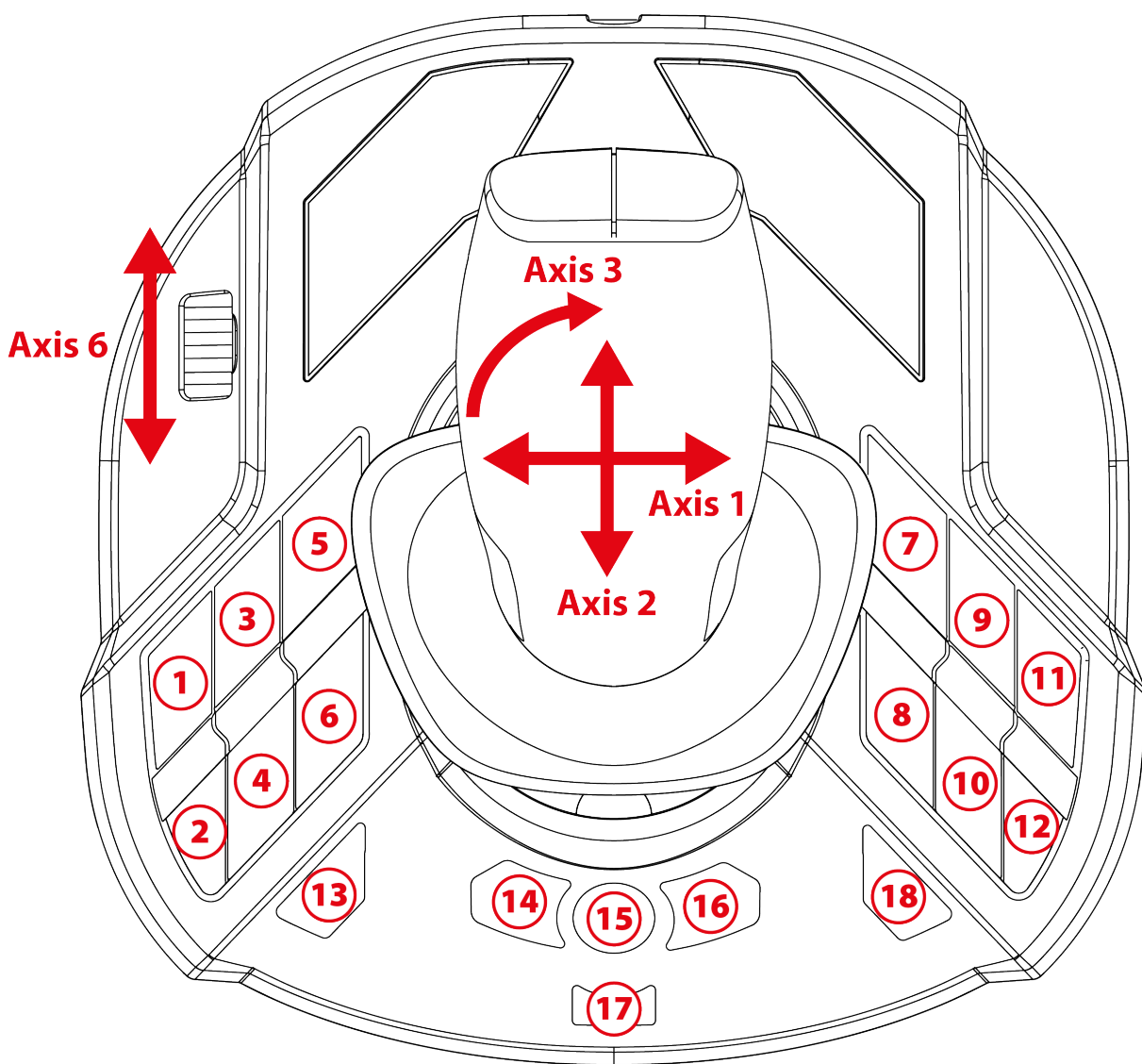
Olet nyt pelivalmis!



Kun yhdistät sauvaohjainta, pidä kahva aina keskiasennossa liikuttamatta tai pyörittämättä sitä, jotta vältät kalibrointiongelmia.



## 8. Määrittäminen PC-tietokoneelle

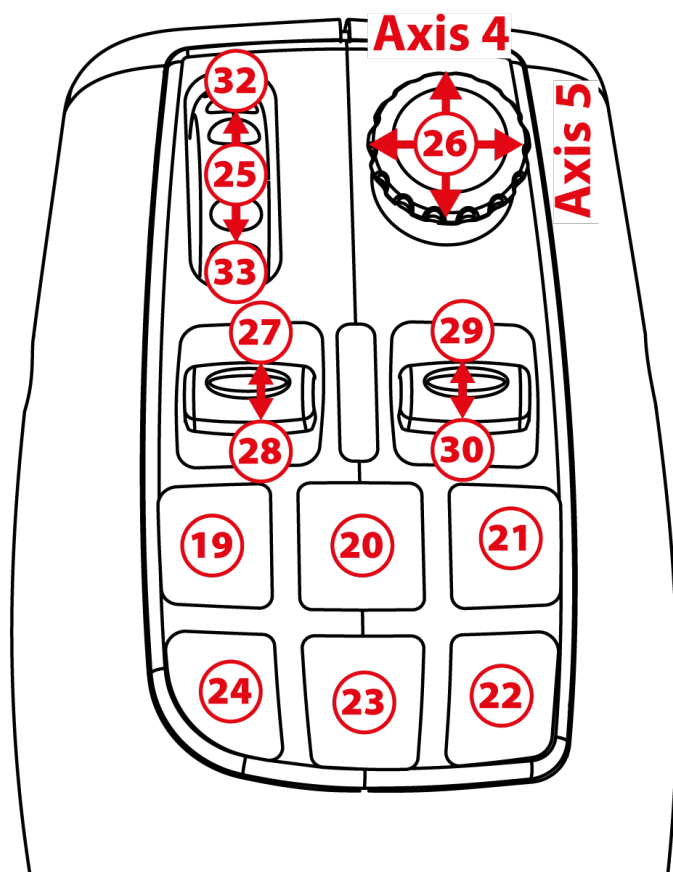


Määitykset ovat samanlaiset oikea- ja vasenkätisissä tiloissa.

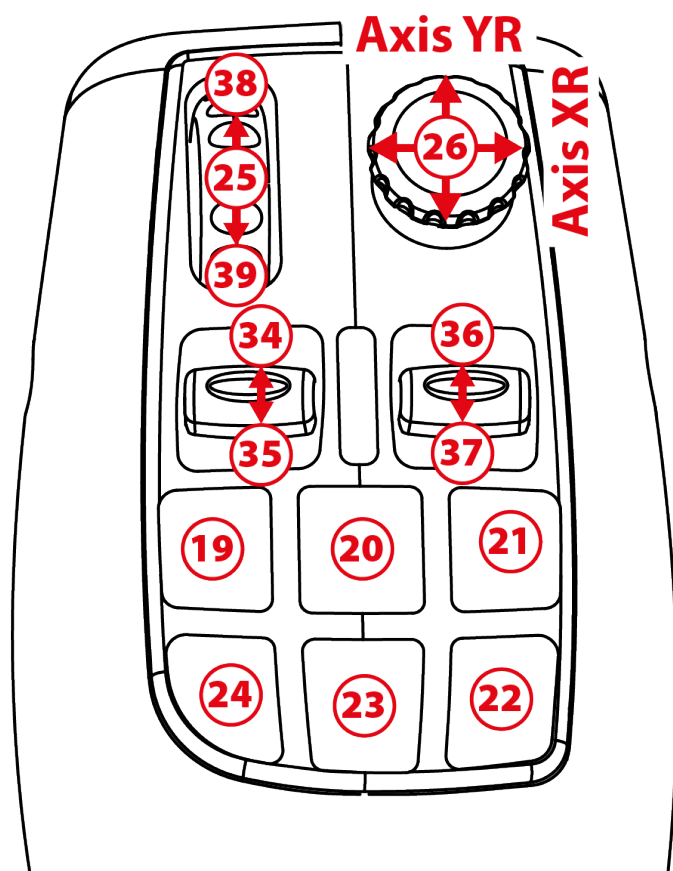
Oikeakätinen (oletus) / vasenkätinen tila voidaan valita seuraamalla **tätä** menettelyä tai **Ohjauspaneelista**.

Kun käytössä on yhtä aikaa kaksi sauvaohjainta, tämä tila auttaa erottamaan niiden välillä.

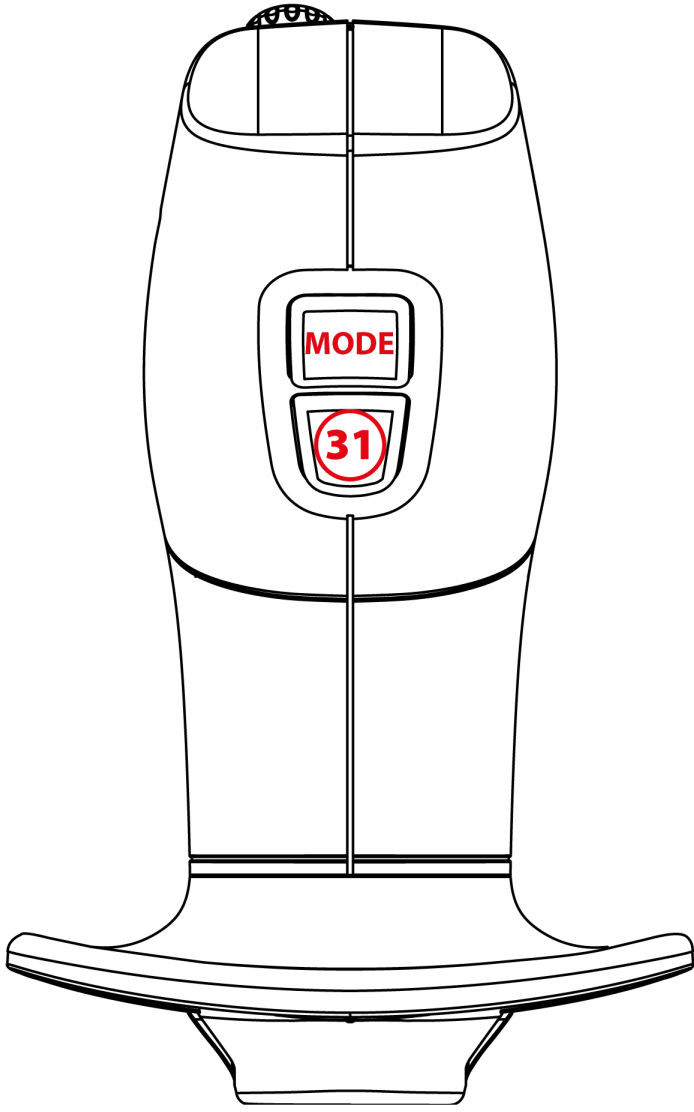




**Drive-tila**



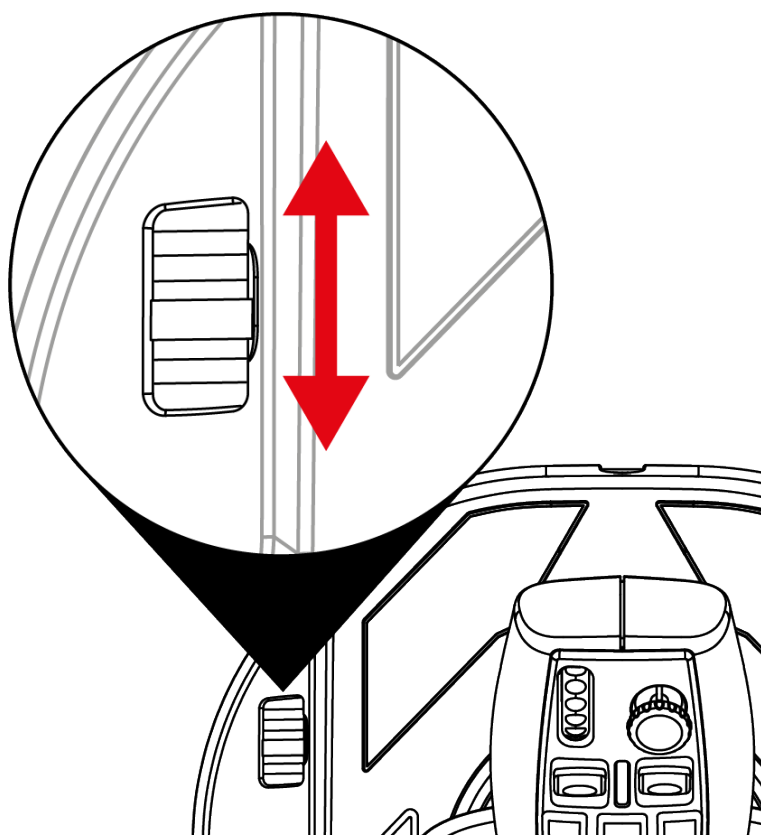
**Work-tila**





## 9. Kaasu

Sauvaohjaimessa on kaasu ⑧, jonka avulla on helppo säädellä moottorin nopeutta.

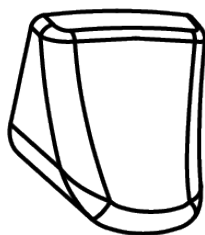




## 10. Vaihdeettava liipaisin

Sauvaohjaimessa on vaihdettava toimintoliipaisin **16** tarjoamassa erilaisia peliergonomisia ratkaisuja.

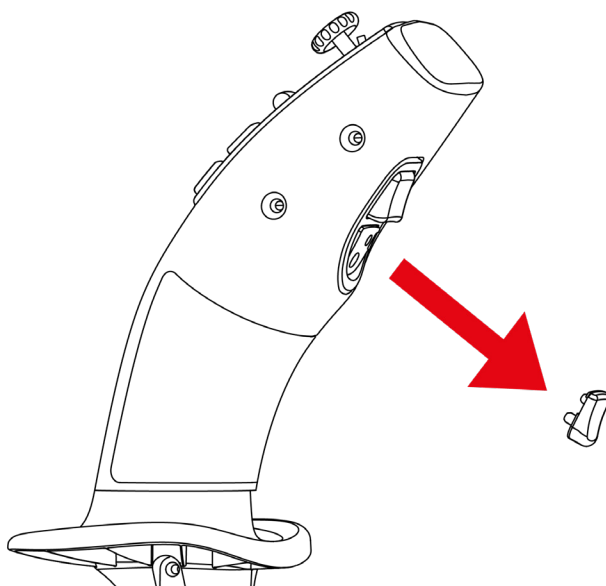
Oletuksena asennetun liipaisimen tilalle voidaan vaihtaa lentosimulaattoreihin paremmin sopiva liipaisin (tulee SimTask FarmStickin mukana).



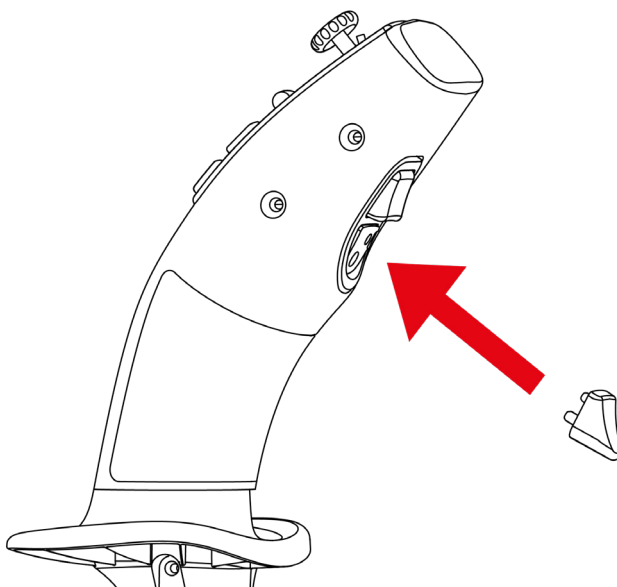


## Liipaisimen vaihto-ohje:

1. Aseta sormesi liipaisimen kummallekin puolelle ja vedä sitä varovasti.



2. Asenna uusi liipaisin oikeaan asentoon.



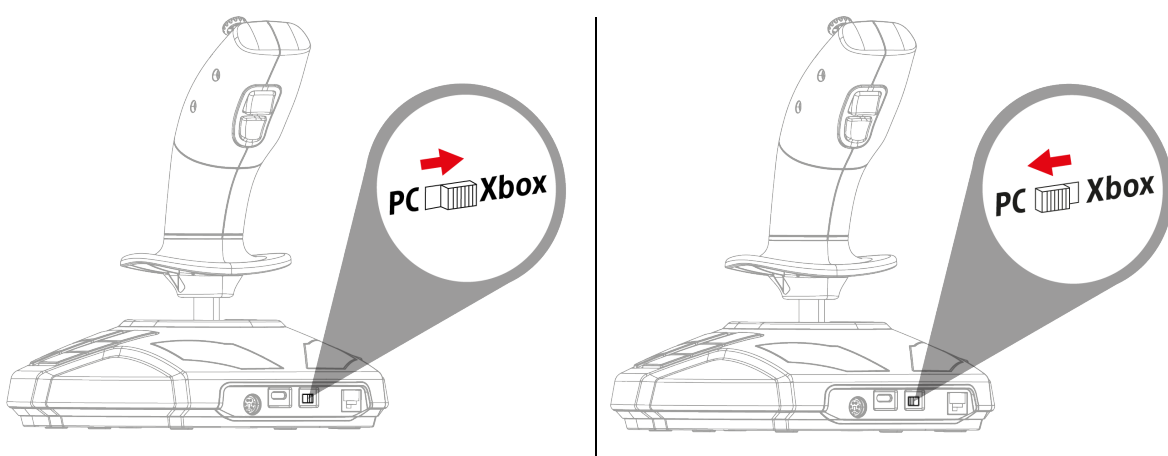
Asemointinastat on kohdistettava paikoilleen sauvaan.  
Älä työnnä liipaisinta paikoilleen väkisin, sillä se voi vahingoittaa nastoja.



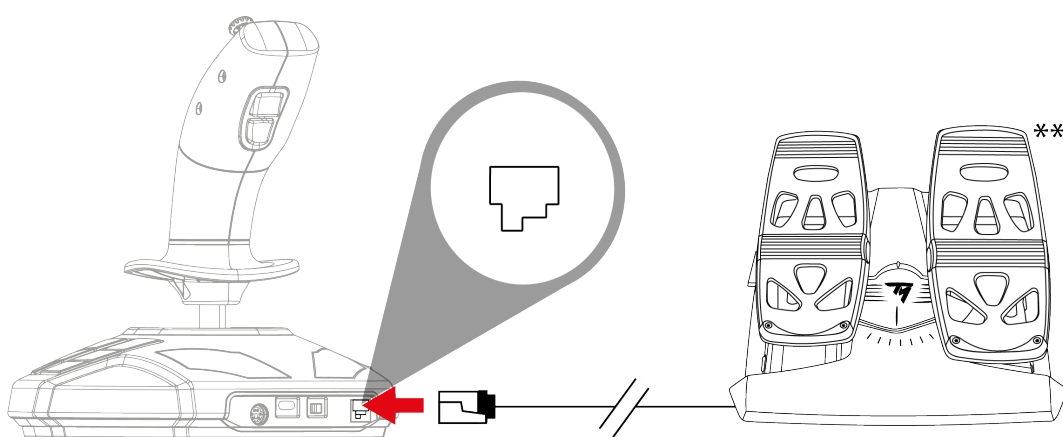
# 11. Asennus Xbox Series X|S\* - konsolille tai PC:lle\*, jossa on TFRP-peräsinpolkimet\*\*

TFRP\*\*-peräsinpolkimet kytketään SimTask FarmStickiin.

1. Aseta kytkin 19 sauvaohjaimen takaosassa asentoon Xbox tai PC.



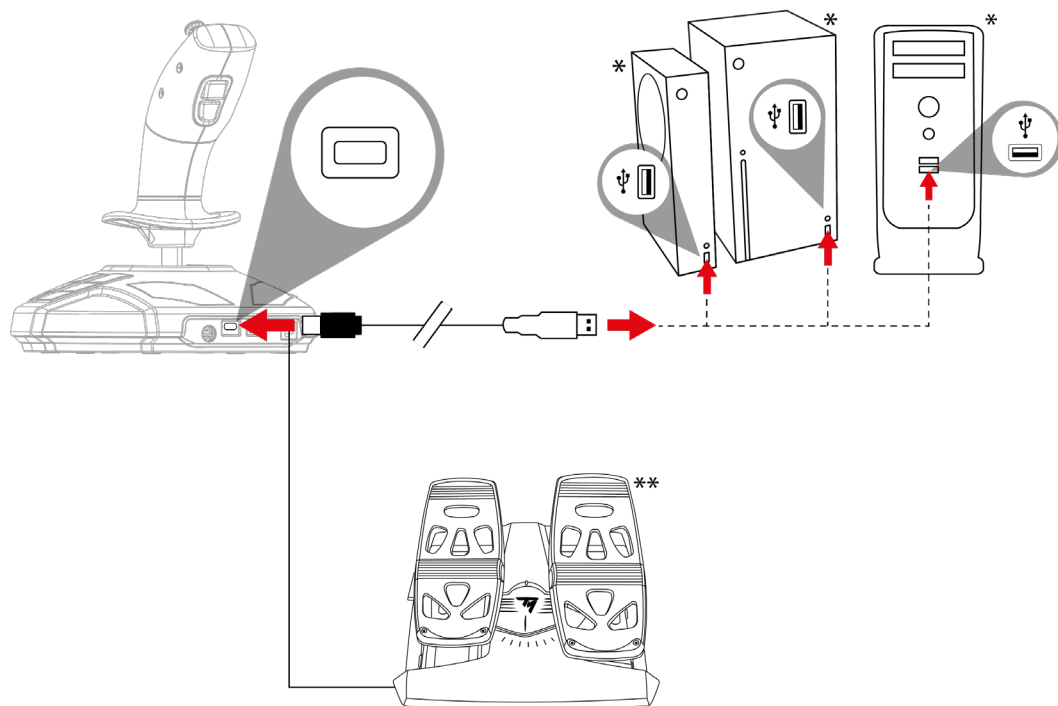
2. Kytke TFRP-peräsinpoljinten\*\* RJ12-johto RJ12-porttiin 20 sauvaohjaimen takaosassa.



*\*Ei tule mukana / \*\*myydään erikseen*



3. Kytke USB-C – USB-A -johto sauvaohjaimen USB-C-porttiin **18** ja konsolin\* tai PC-tietokoneen\* USB-A-porttiin.



- Kun yhdistät sauvaohjainta, pidä sen kahva aina keskiasennossa. Älä liikuta tai kierrä sitä, jotta vältät kalibrointiongelmat.
- Kun yhdistät peräsinpolkimia sauvaohjaimen: pidä peräsinpolkimien akseli aina keskiasennossa äläkä aseta jalkojasi polkimille, jotta vältät kalibrointiongelmat.

*\*Ei tule mukana / \*\*myydään erikseen*



## 12. UKK ja tekninen tuki

### *Peliohjaimeni ei toimi oikein tai se vaikuttaa väärin kalibroidulta.*

- Sammuta konsoli tai tietokone ja irrota ohjain; käynnistä sitten konsoli tai tietokone uudelleen, yhdistä ohjain takaisin ja käynnistä peli.
- Kun yhdistät sauvaohjainta: pidä kahva aina keskiasennossa liikuttamatta tai pyörittämättä sitä, jotta vältät kalibrointiongelmat.
- Kun yhdistät peräsinpolkimia sauvaohjaimeen: pidä peräsinpolkimien akseli aina keskiasennossa äläkä aseta jalkojasi polkimille, jotta vältät kalibrointiongelmat.





## ***En voi säätää ohjainta.***

- Mene pelissä valikkoon **Options** / **Controller** / **Gamepad** tai **Joystick** ja valitse sopiva asetus tai määritä ohjaimen asetukset täysin uusiksi.
- Pelin käyttöohjeesta tai verkon apusivustolta löytyy lisää tietoa.



## *Sauvaohjain on liian herkkä tai ei ole tarpeeksi herkkä.*

- Ohjain kalibroi itsensä, kun olet liikuttanut sitä muutaman kerran eri akseleilla.
- Mene pelissä valikkoon **Options / Controller / Gamepad** tai **Joystick**: säädä ohjaimen herkkyyttä ja kuolleita alueita (jos nämä asetukset ovat saatavilla).

Onko sinulla kysymyksiä SimTask FarmStick -ohjaimesta tai kärsitkö teknisistä ongelmista? Mikäli näin on, vieraile Thrustmasterin teknisen tuen sivustolla:

<https://support.thrustmaster.com/product/simtask-farmstick-x/>.



# **THRUSTMASTER®**



# **SIMTASK FARMSTICK**

**XBOX SERIES X|S – PC**

## **Návod na použitie**



**Pred** inštaláciou produktu, **pred** akýmkoľvek použitím produktu a **pred** akoukoľvek údržbou **si pozorne prečítajte** pokyny uvedené v tomto návode. Bezpodmienečne dodržiavajte bezpečnostné pokyny. Nedodržanie týchto pokynov môže viesť k nehodám a/alebo škodám. Uschovajte si tento návod, aby ste si ho mohli v budúcnosti prečítať.

# OBSAH

1.	OBSAH BALENIA.....	5
2.	VLASTNOSTI.....	6
3.	INFORMÁCIE TÝKAJÚCE SA POUŽÍVANIA ...	9
4.	ZOZNÁMENIE SA S VAŠIM JOYSTICKOM ...	12
	<i>Kľúčové body .....</i>	<i>12</i>
	<i>H.E.A.R.T. (HallEffect AccuRate Technology)</i> <i>precízna technológia.....</i>	<i>13</i>
	<i>Režim jazdy &lt;&gt; Pracovný režim .....</i>	<i>14</i>
	<i>Otočná rukoväť.....</i>	<i>17</i>
	<i>„Point-of-view” mini-páčka .....</i>	<i>18</i>
	<i>Pripojenie SimTask FarmStick na Xbox</i> <i>Series X S* a PC* .....</i>	<i>19</i>
	<i>Konfigurácia joysticku pre pravú a</i> <i>ľavú ruku .....</i>	<i>21</i>

<b>5.</b>	<b>INŠTALÁCIA NA XBOX SERIES X S.....</b>	<b>24</b>
<b>6.</b>	<b>MAPOVANIE XBOX.....</b>	<b>26</b>
<b>7.</b>	<b>INŠTALÁCIA NA PC.....</b>	<b>29</b>
<b>8.</b>	<b>PC MAPOVANIE .....</b>	<b>31</b>
<b>9.</b>	<b>PLYNOVÁ PÁKA .....</b>	<b>34</b>
<b>10.</b>	<b>VYMENITEL'NÁ SPÚŠŤ .....</b>	<b>35</b>
<b>11.</b>	<b>INŠTALÁCIA NA XBOX SERIES X S* ALEBO PC* S KORMIDLOM TFRP ** .....</b>	<b>37</b>
<b>12.</b>	<b>ČASTO KLADENÉ OTÁZKY A TECHNICKÁ PODPORA.....</b>	<b>39</b>

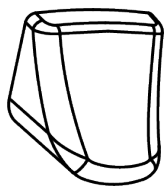
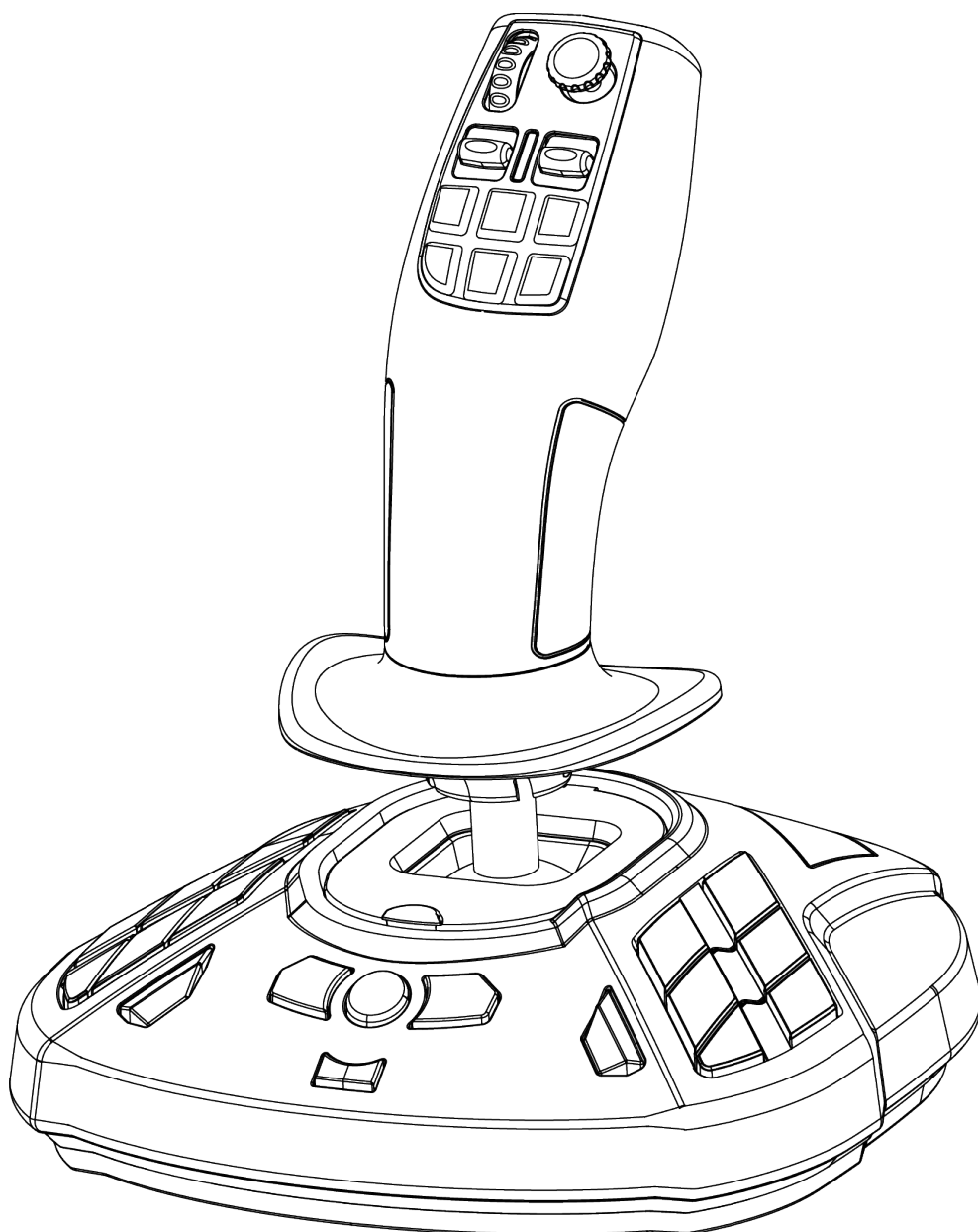


So SimTask FarmStick od Thrustmaster si užijete zariadenie, ktoré je dokonale prispôsobené na manipuláciu s vašimi farmárskymi a stavebnými strojmi. SimTask FarmStick môžete použiť aj ako joystick na simuláciu letu.

Tento návod vám pomôže nainštalovať a používať váš SimTask FarmStick za najlepších podmienok. Pred začatím si pozorne prečítajte všetky tieto pokyny a varovania: pomôžu vám získať maximálny pôžitok z vášho produktu.

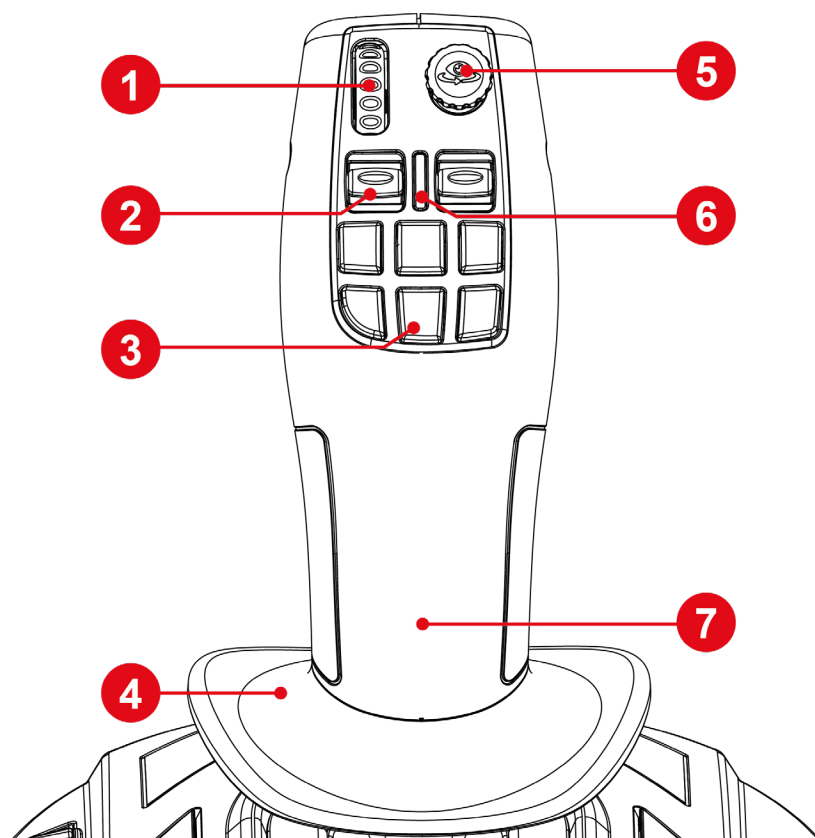


# 1. Obsah balenia



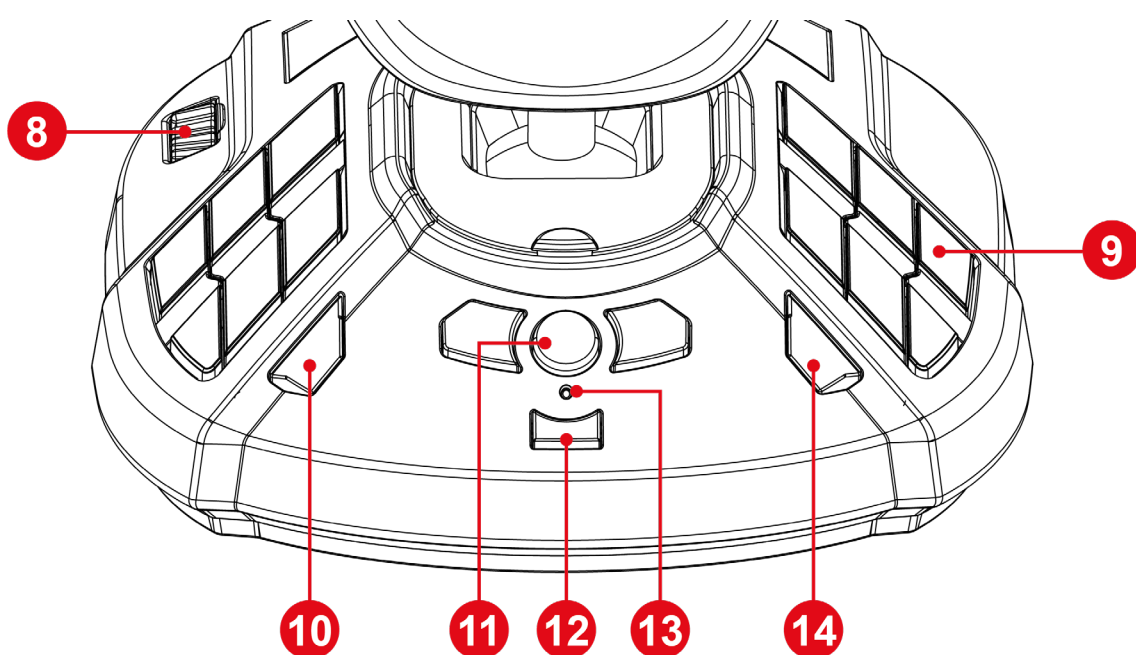


## 2. Vlastnosti

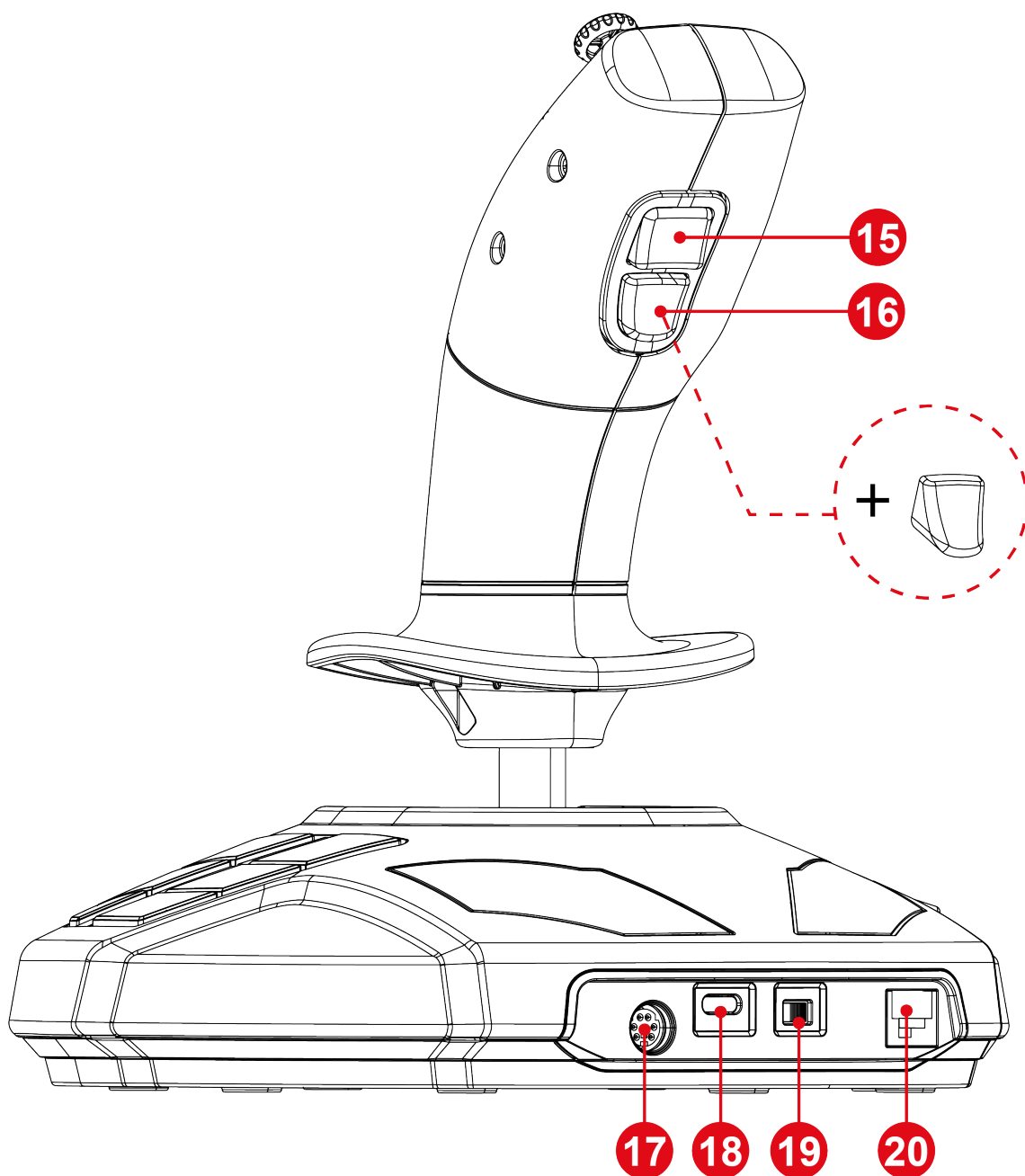


1. Koliesko
2. Kolískový spínač
3. Tlačidlá rýchlej akcie
4. Opierka rúk
5. Mini-páčka „Point-of-view“
6. LED indikátor režimu páky
7. Obojručná rukoväť





8. Plynová páka
9. Programovateľné akčné tlačidlá
10. Tlačidlo View (Pozrieť)
11. Tlačidlo Xbox
12. Tlačidlo Share (Zdieľať)
13. Indikačné svetlo
14. Tlačidlo Menu (Menu)



- 15. Tlačidlo zmeny režimu páky
- 16. Vymeniteľná akčná spúšť
- 17. DIN port pre ďalšie príslušenstvo\*
- 18. Port USB-C
- 19. Výber Xbox / PC
- 20. Port RJ12 pre kormidlo TFRP\*

\* *predávané samostatne*



### 3. Informácie týkajúce sa používania



#### **Dokumentácia**

Pred použitím tohto produktu si ešte raz pozorne prečítajte túto dokumentáciu a uschovajte si ju pre budúce použitie.



## **Elektrický šok**

- Výrobok uchovávajte na suchom mieste a nevystavujte ho prachu ani slnečnému žiareniu.
- Dodržujte pokyny pre pripojenie.
- Neskrúcajte ani neťahajte za konektory a káble.
- Na produkt ani jeho konektory nevyliievajte žiadnu tekutinu.
- Neskratujte výrobok.
- Výrobok nikdy nerozoberajte; nehádzte ho do ohňa a nevystavujte ho vysokým teplotám.
- Neotvárajte zariadenie: vnútri nie sú žiadne časti, ktoré by mohol opraviť používateľ. Akékoľvek opravy musí vykonať výrobca, určená agentúra alebo kvalifikovaný technik.



## **Zabezpečenie herného priestoru**

- Zabezpečenie herného priestoru
- Do herného priestoru neumiestňujte žiadne predmety, ktoré by mohli narúšať prácu užívateľa, alebo ktoré môžu vyvolať nevhodný pohyb alebo prerušenie inou osobou (napr. šálka kávy, telefón, kľúče).
- Napájacie káble nezakrývajte kobercom, prikrývkou, prikrývkou ani iným predmetom a žiadne káble neumiestňujte tam, kde budú ľudia chodiť.



## 4. Zoznámenie sa s vaším joystickom

### *Kľúčové body*

- 33 tlačidiel a 6 virtuálnych osí, vrátane kolieska a dvoch kolískových prepínačov
- 6 osí, vrátane mini-páčky, otáčania rukoväte joysticku a plynu
- LED indikátor režimu páky
- H.E.A.R.T. technológia (HallEffect AccuRate Technology)
- Pripojenie k portu USB-A
- Plynová páka
- RJ12 port pre kormidlo TFRP \*

\* *predávané samostatne*



## ***H.E.A.R.T. (HallEffect AccuRate Technology) precízna technológia***

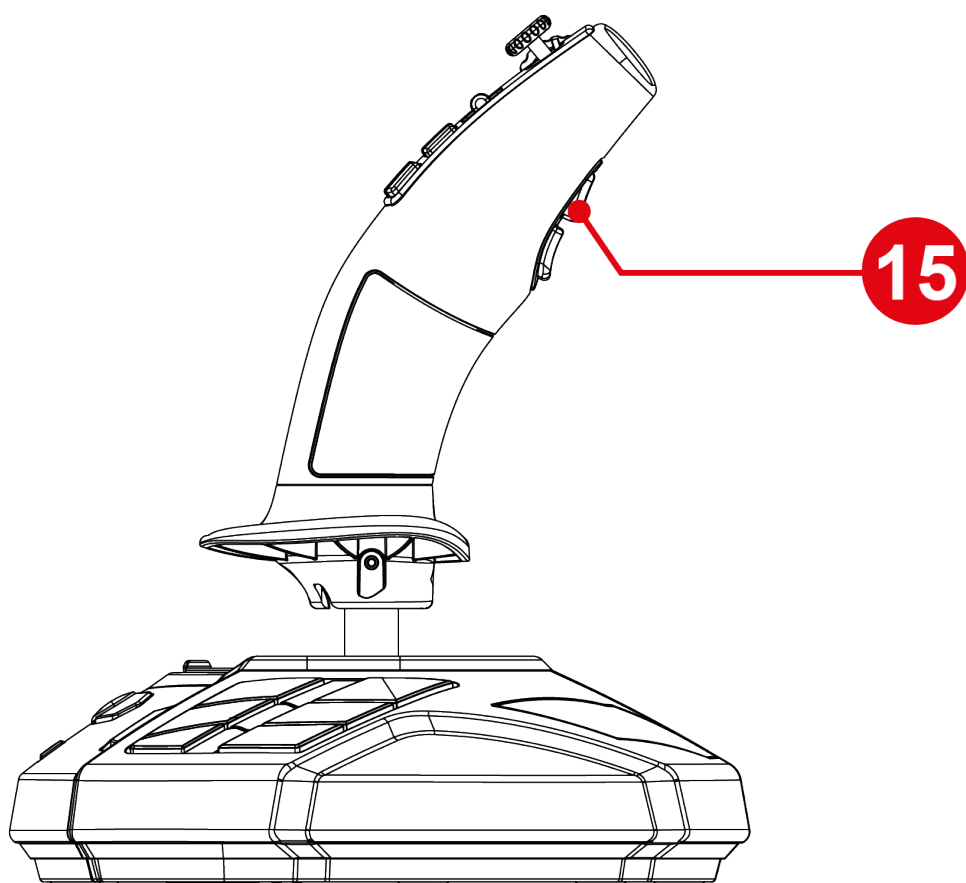
Váš SimTask FarmStick obsahuje technológiu, ktorá mu poskytuje úroveň presnosti, ktorá v súčasnosti nemá vo svete herných joystickov obdobu, vrátane:

- 3D (Hall efekt) magnetické snímače na páke s rozlíšením viac ako 268 miliónov hodnôt na osiach X a Y (hodnoty 16 384 x 16 384), zatiaľ čo súčasné konkurenčné systémy (dokonca aj špičkové systémy) poskytujú rozlíšenie v susedstve len 1 milión hodnôt (1 024 x 1 024 hodnôt).
- Magnet: žiadne trenie, pre neobmedzenú presnosť a neuveriteľnú odozvu, ktorá vydrží.
- Vinutá pružina na páke (2,8 mm): pre pevné, lineárne a ultra plynulé napätie.



## Režim jazdy <=> Pracovný režim

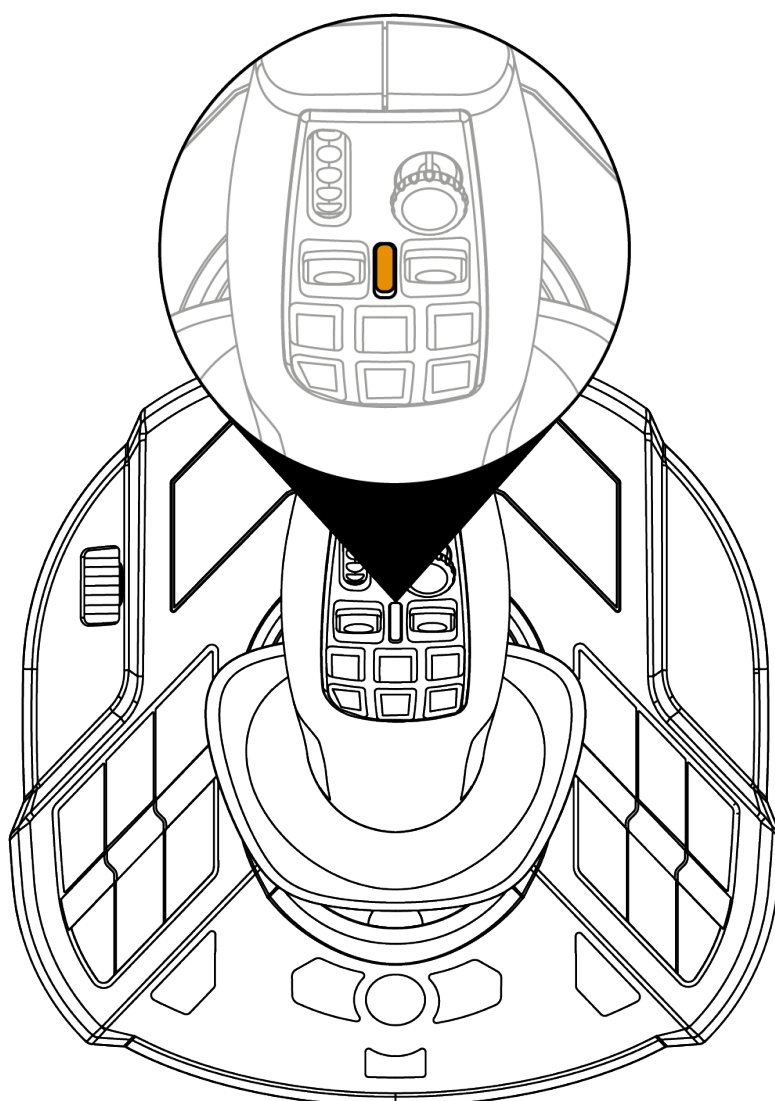
Tlačidlo 15 vám umožňuje prepnúť z režimu **Jazdy** do režimu **Práce** a naopak.



Táto funkcia rozširuje rozsah činností, ktoré je možné vykonávať palcom, t. j. pomocou kolieska 1 a dvoch kolískových prepínačov 2.

Zmena režimu upravuje činnosť spojenú s kolieskom 1 a dvoma kolískovými prepínačmi 2.





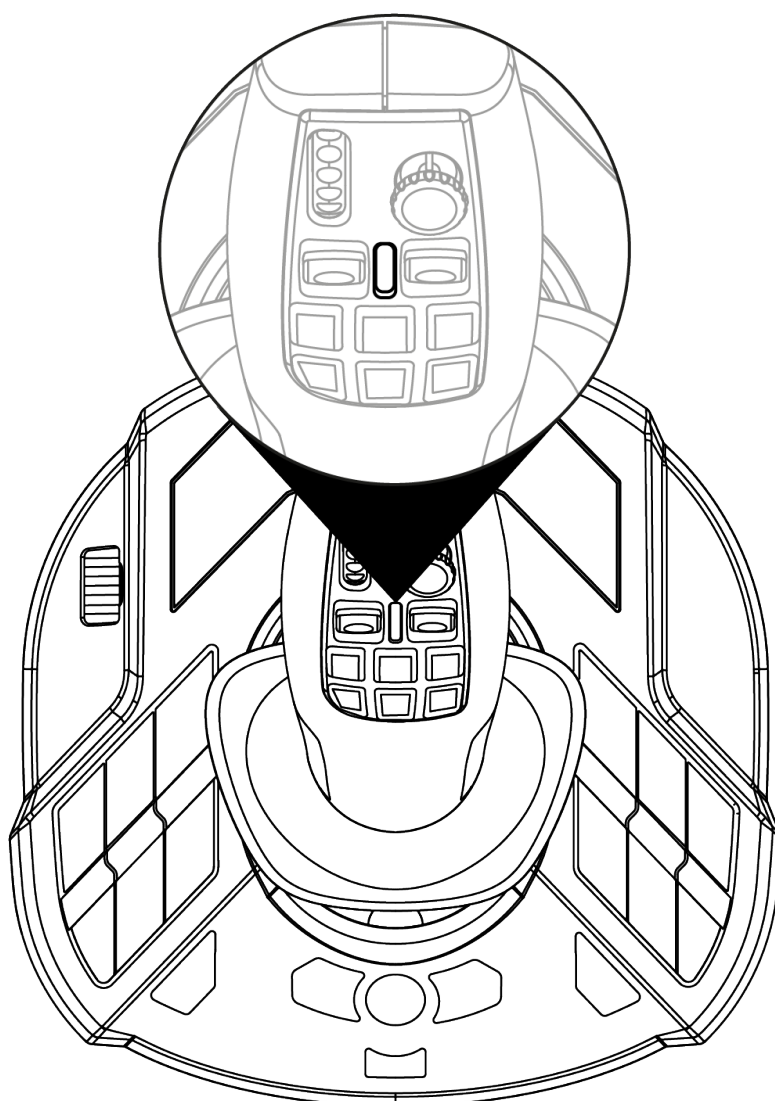
## Režim Jazdy (predvolené)

V režime **Jazdy** sa LED indikátor režimu páky **6** rozsvieti na oranžovo.



V režime **Jazdy** môže byť činnosť spojená s otočným kolieskom **1** a kolískovými prepínačmi **2** nasledovná:

- Ovládacie koliesko: ovládanie požadovanej hodnoty regulátora.
- Kolískové spínače: riadenie prevodovky.



## Režim Práca

V **Pracovnom** režime svieti LED indikátor režimu páky **6** bielo.



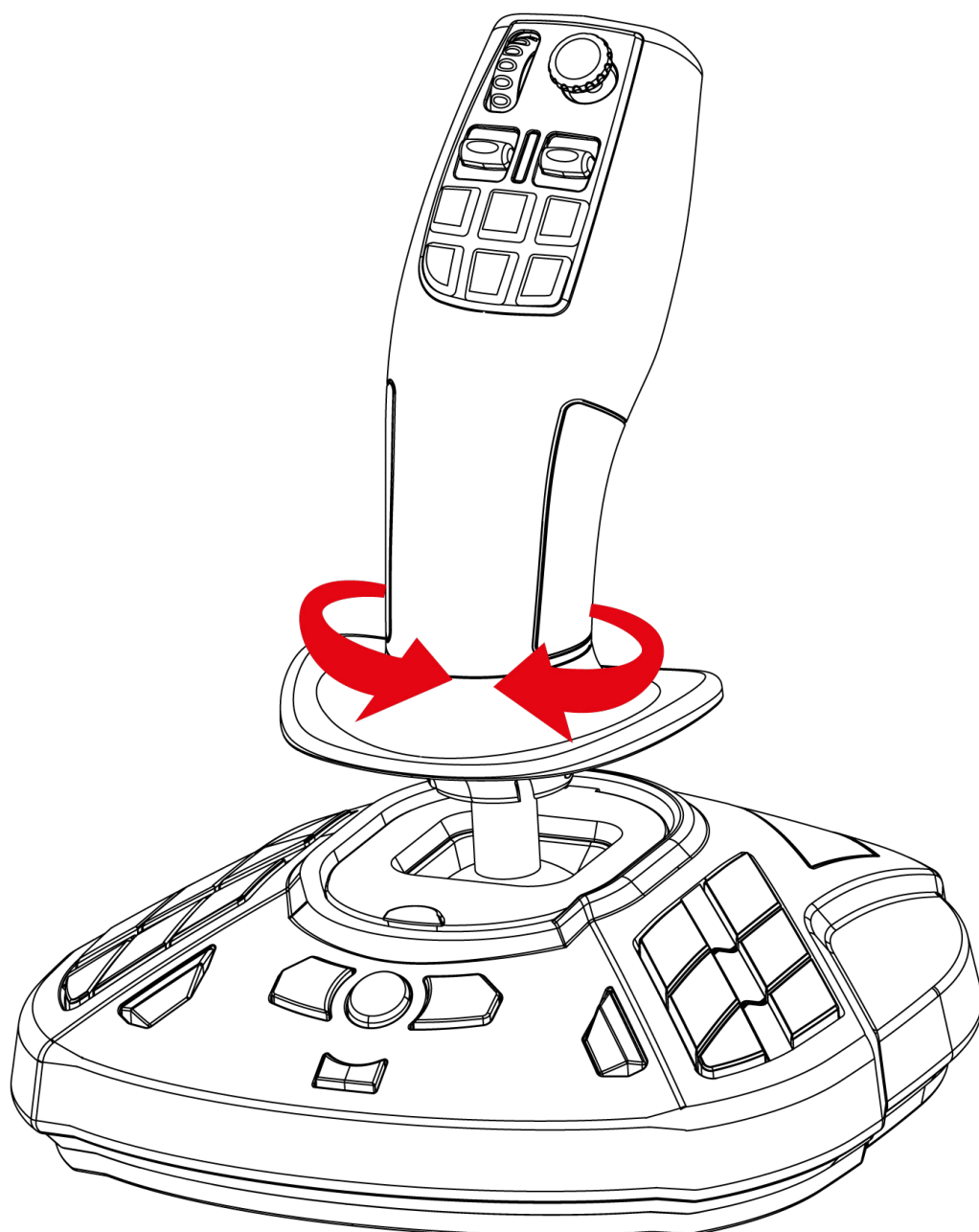
V režime **Práca** môže byť činnosť spojená s kolieskom **1** a kolískovými prepínačmi **2** nasledovná:

- Ovládacie koliesko: ovládanie priblíženia fotoaparátu.
- Kolískové spínače: ovládanie žeriavových ramien alebo nakladačov.



## *Otočná rukoväť*

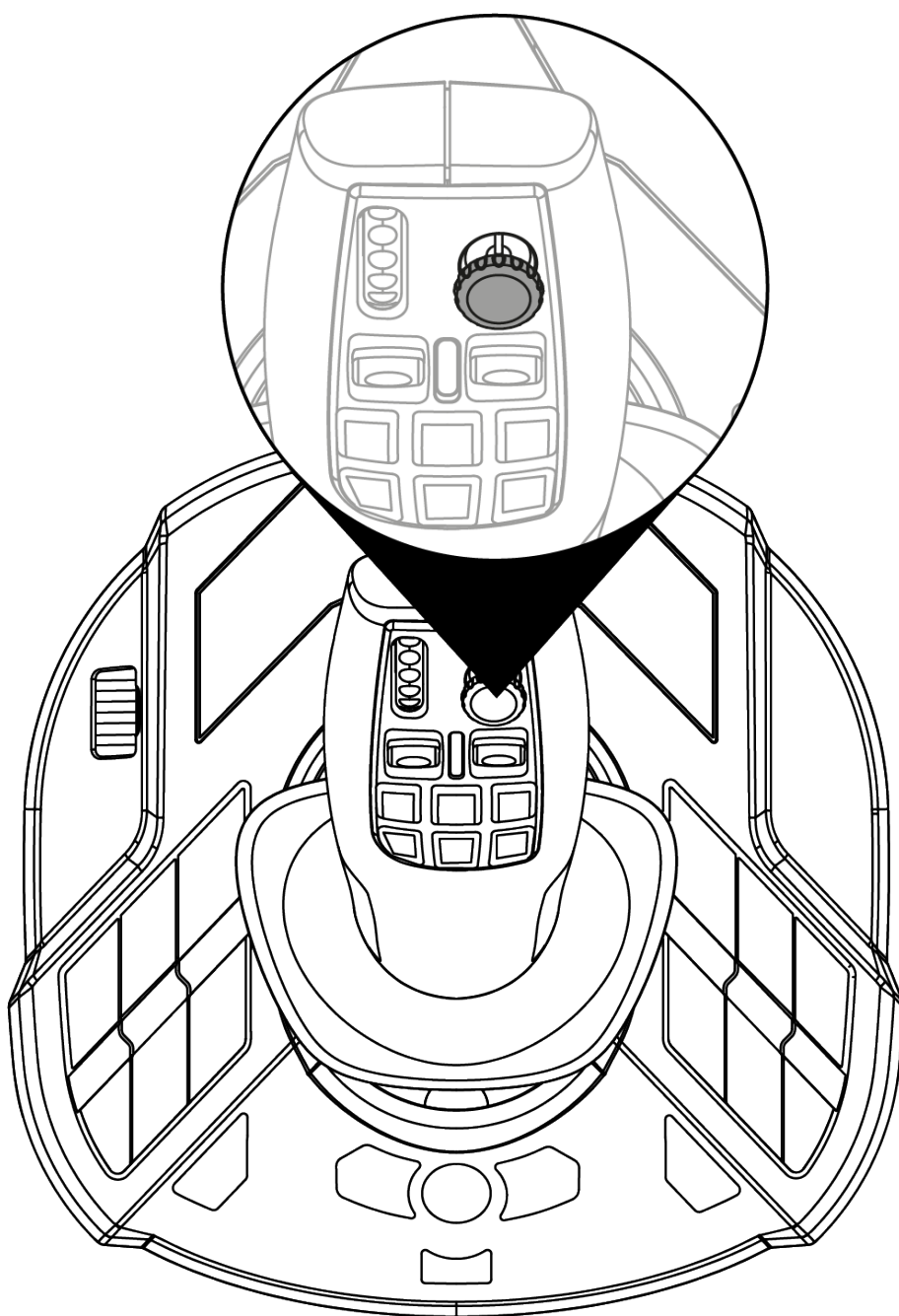
SimTask FarmStick má rukoväť, ktorá sa otáča okolo svojej horizontálnej osi. To je užitočné napríklad pri manévrovaní s hlavou žeriavu alebo rýpadla.





## *„Point-of-view” mini-páčka*

SimTask FarmStick obsahuje “Point-of-view” mini-páčku **5** , ktorá vám umožní vidieť, čo je v zornom poli operátora stroja.





## ***Pripojenie SimTask FarmStick na Xbox Series X|S\* a PC\****

SimTask FarmStick má šesť osí, ale ponúka možnosť pripojenia kormidla TFRP\*\* k zadnej časti joysticku. To vám poskytuje dve ďalšie osi, ako aj ovládanie kormidla pomocou TFRP.

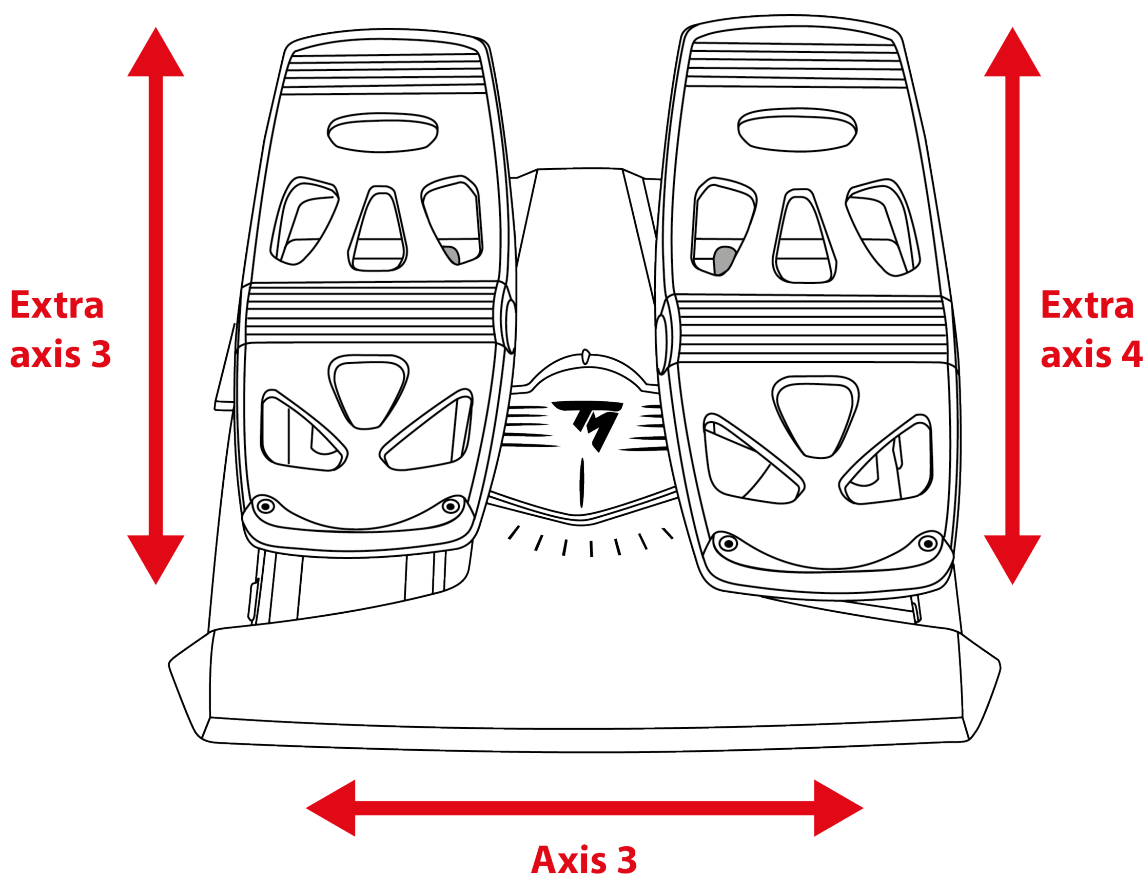


Kormidlo TFRP je jediné zariadenie podporované na Xbox Series X|S a PC.

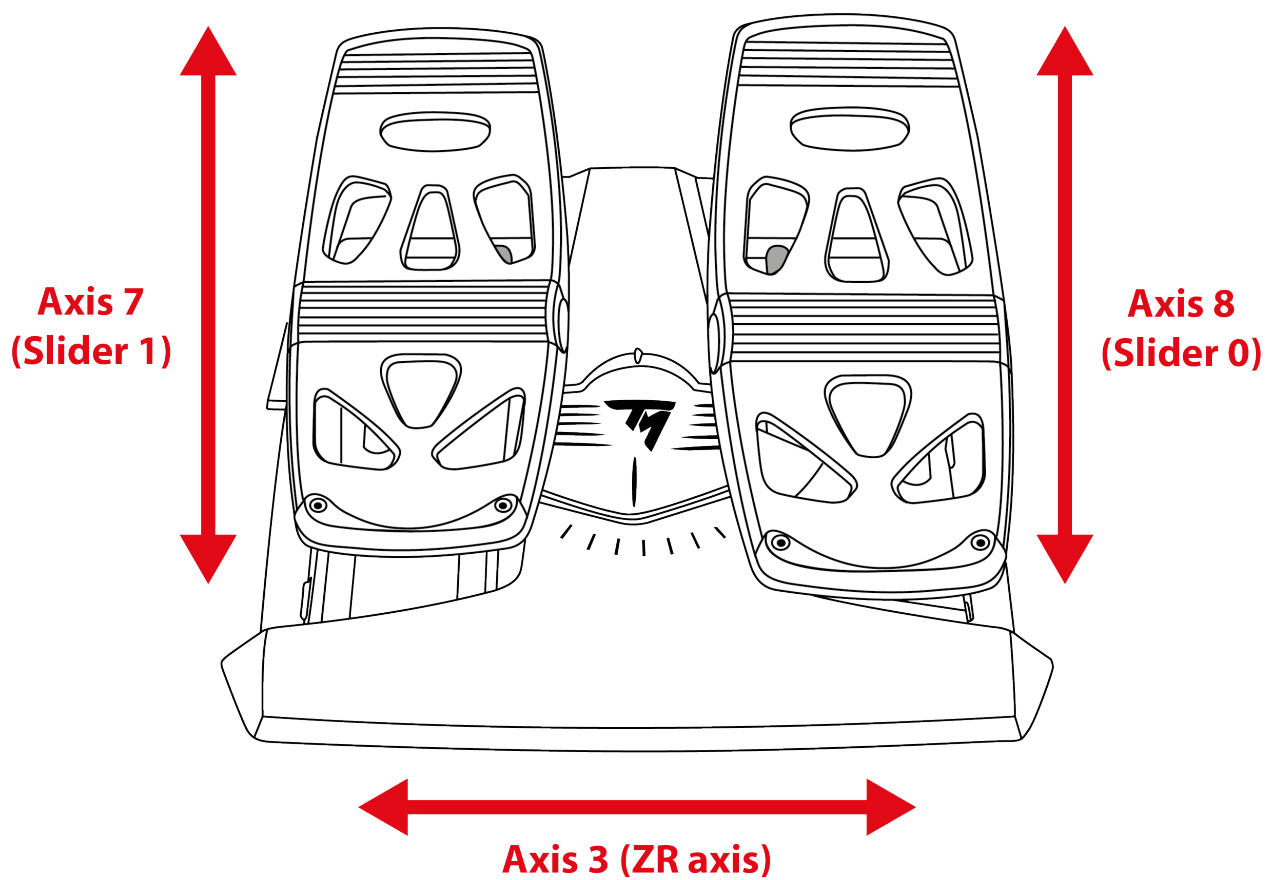
*\* nie je súčasťou balenia / \*\*predávané samostatne*



Mapovanie pre Xbox:



Mapovanie pre PC:





## ***Konfigurácia joysticku pre pravú a ľavú ruku***

Váš SimTask FarmStick je obojručný, aby sa bez problémov prispôbil všetkým hráčom, či už sú praváci alebo ľaváci.

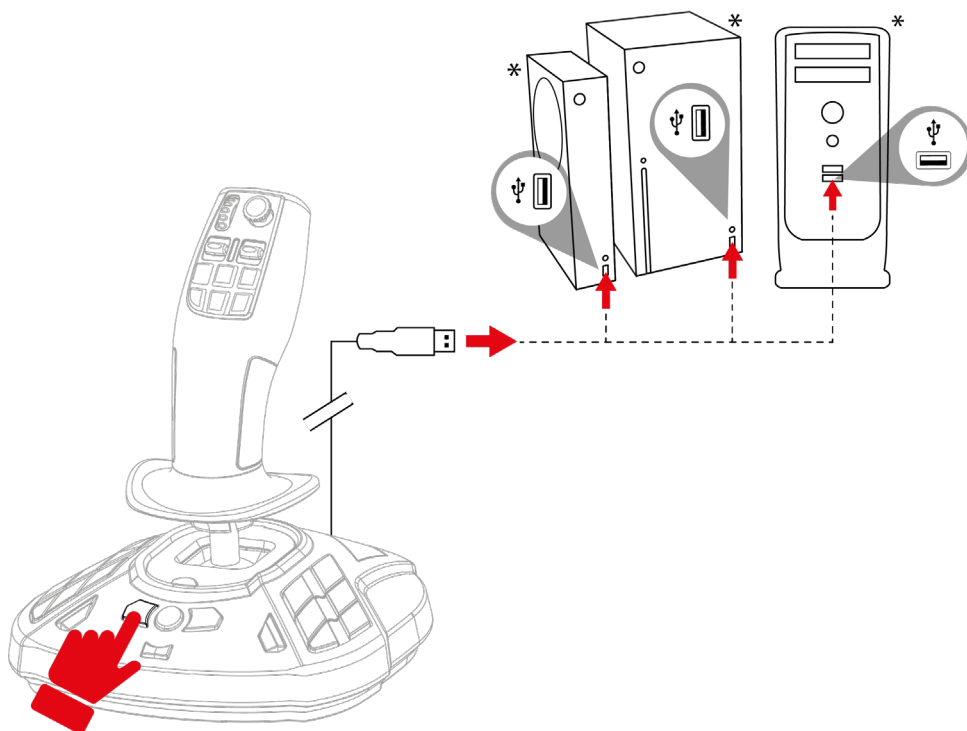
V predvolenom nastavení je joystick nastavený na režim pre pravú ruku.



Ak chcete nastaviť joystick v režime pre L'AVÁKOV:

1. Stlačte a podržte tlačidlo 14 (na PC) alebo Prev (na Xbox Series X|S) keď pripájate svoj SimTask FarmStick na váš Xbox Series X|S alebo PC.

LED indikátor **6** bude päť sekúnd blikať bielo.



2. Uvoľnite tlačidlo 14 (na PC) alebo Prev (na Xbox Series X|S).



Režim pre L'AVÁKOV sa automaticky uloží do internej pamäte zariadenia SimTask FarmStick.

\* *nie je súčasťou balenia*

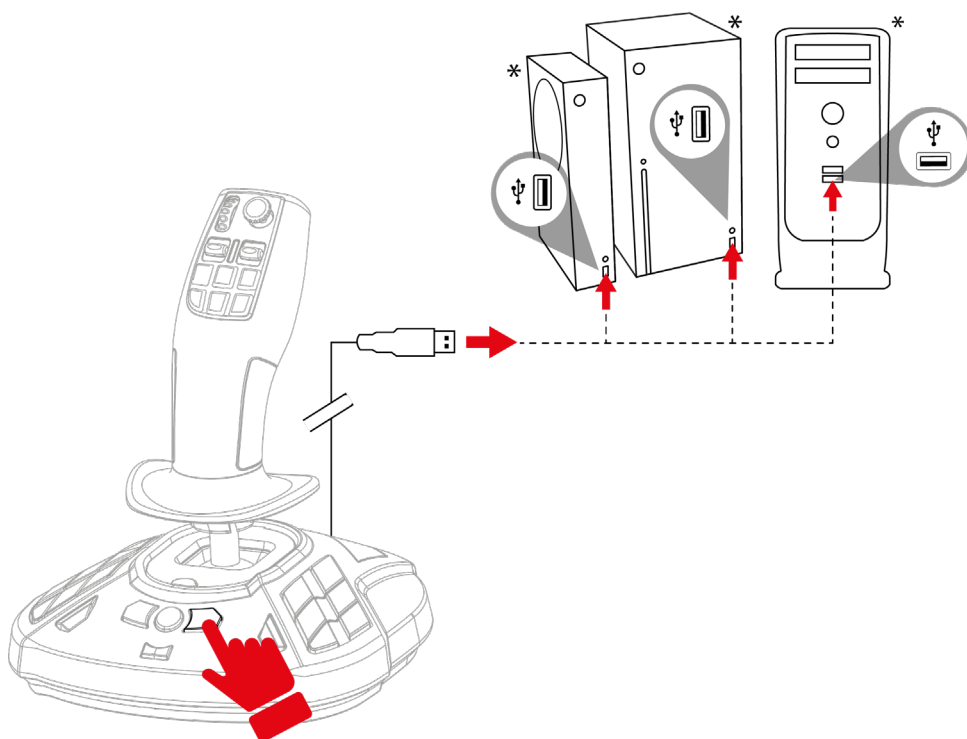




Ak chcete resetovať joystick do režimu pre PRAVÁKOV:

1. Stlačte a podržte tlačidlo 16 (na PC) alebo Next (na Xbox Series X|S) keď pripájate svoj SimTask FarmStick k vášmu Xbox Series X|S alebo PC.

LED indikátor **6** bude päť sekúnd blikať na oranžovo.



2. Uvoľnite tlačidlo 16 (na PC) alebo Next (na konzolách Xbox Series X|S).



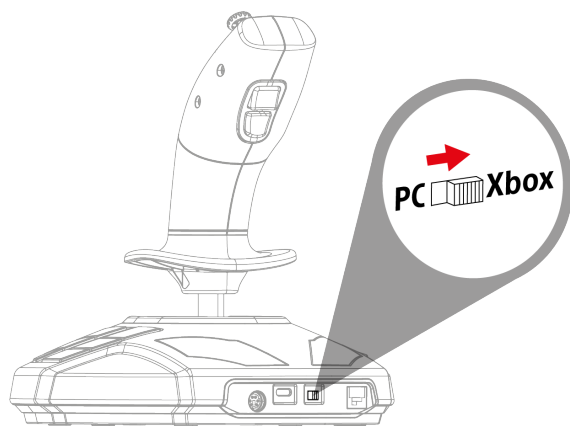
Režim pre PRAVÁKOV sa automaticky uloží do internej pamäte zariadenia SimTask FarmStick.

\* *nie je súčasťou balenia*

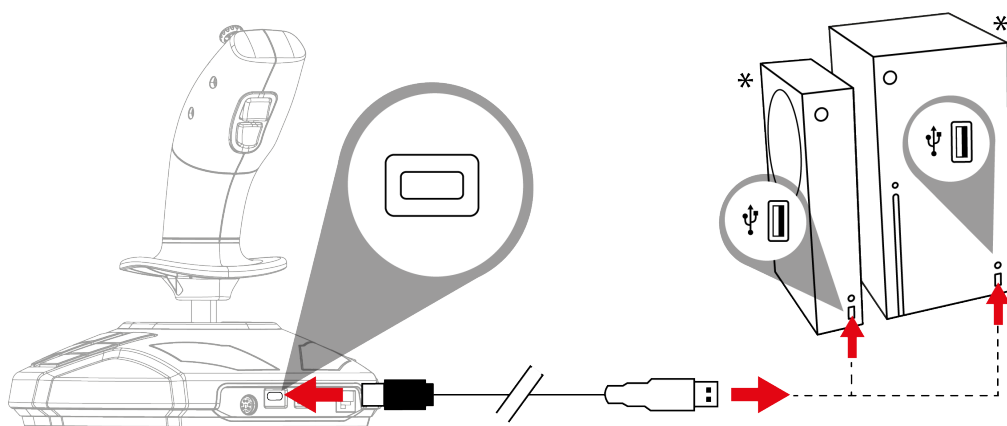


## 5. Inštalácia na Xbox Series X|S

1. Nastavte prepínač **19** na zadnej strane joysticku do polohy Xbox.



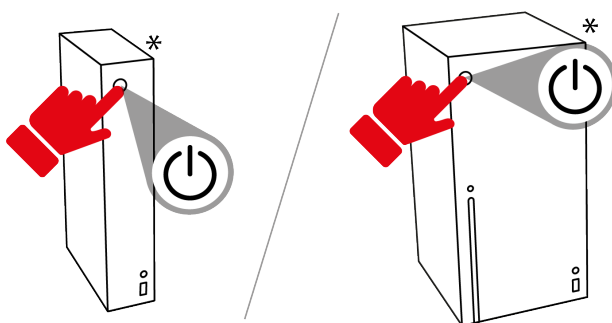
2. Zapojte kábel USB-C – USB-A do portu USB C **18** na joysticku a do jedného z portov USB-A konzoly\*.



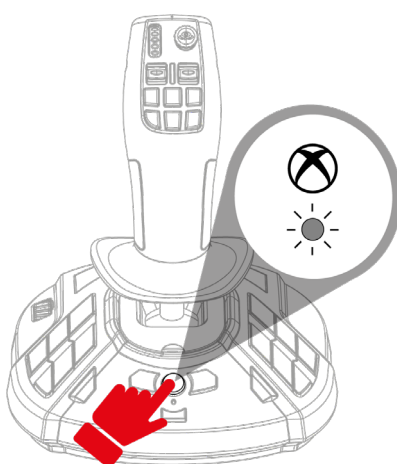
\* nie je súčasťou balenia



3. Zapnite konzolu.



4. Stlačte tlačidlo Xbox. Indikátor joysticku bude svietiť bielo.



5. Spustite kompatibilnú hru.

Teraz ste pripravení hrať!

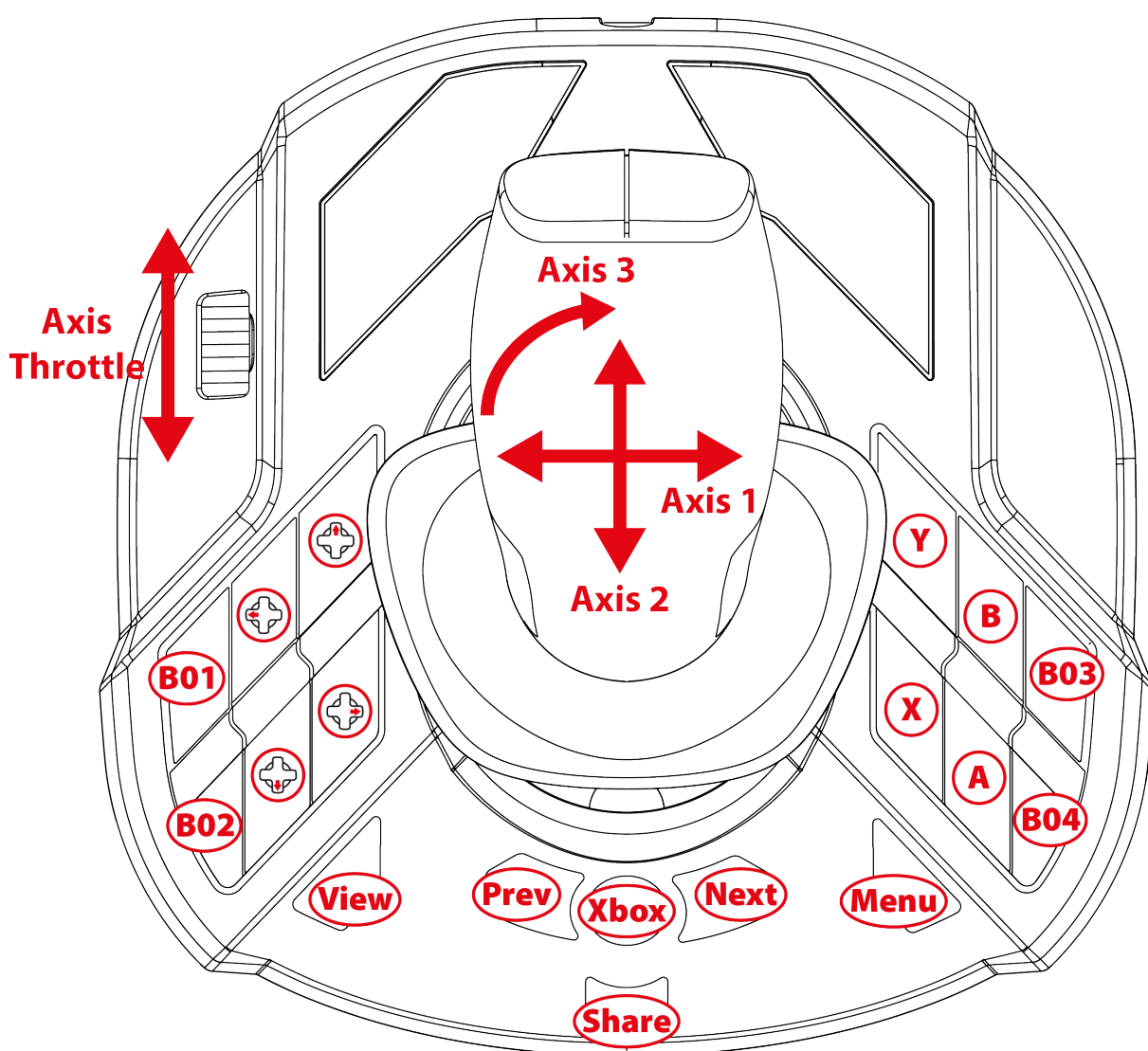


Pri pripájaní joysticku vždy držte rukoväť v jej strednej polohe, nehýbte ňou ani neotáčajte, aby ste predišli problémom s kalibráciou.

\* *nie je súčasťou balenia*

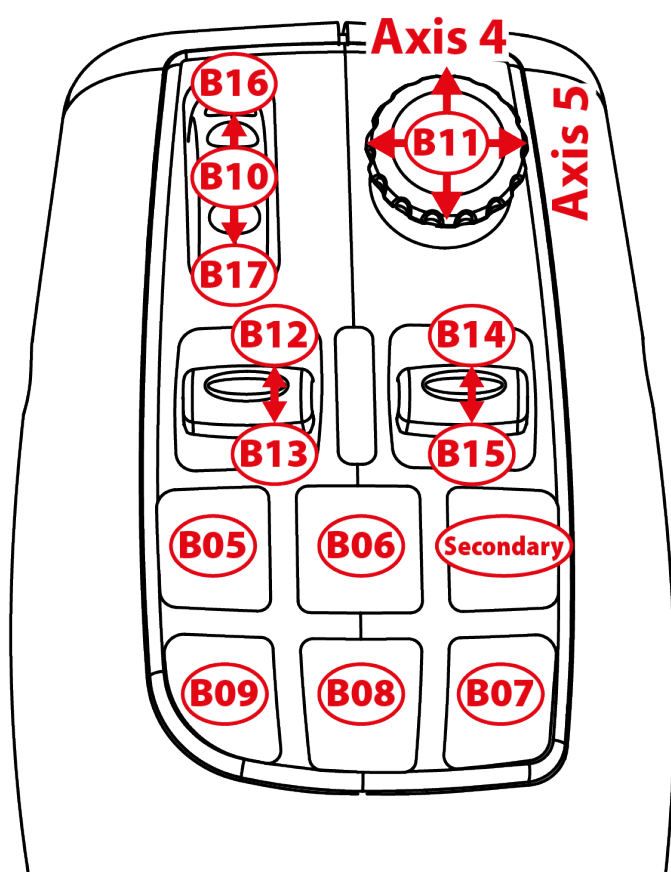


## 6. Mapovanie Xbox

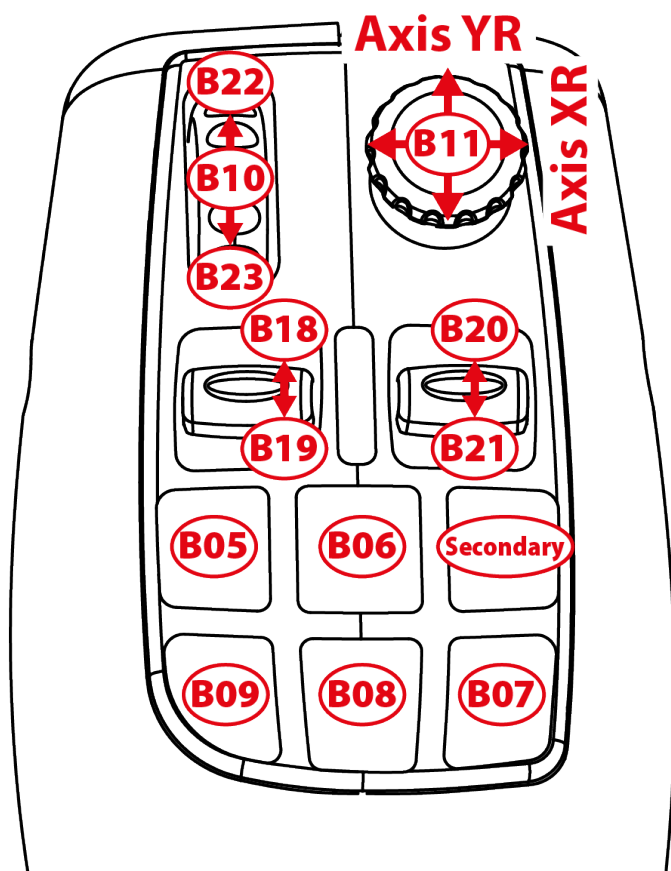


Mapovanie je identické v režime pre pravákov aj ľavákov.

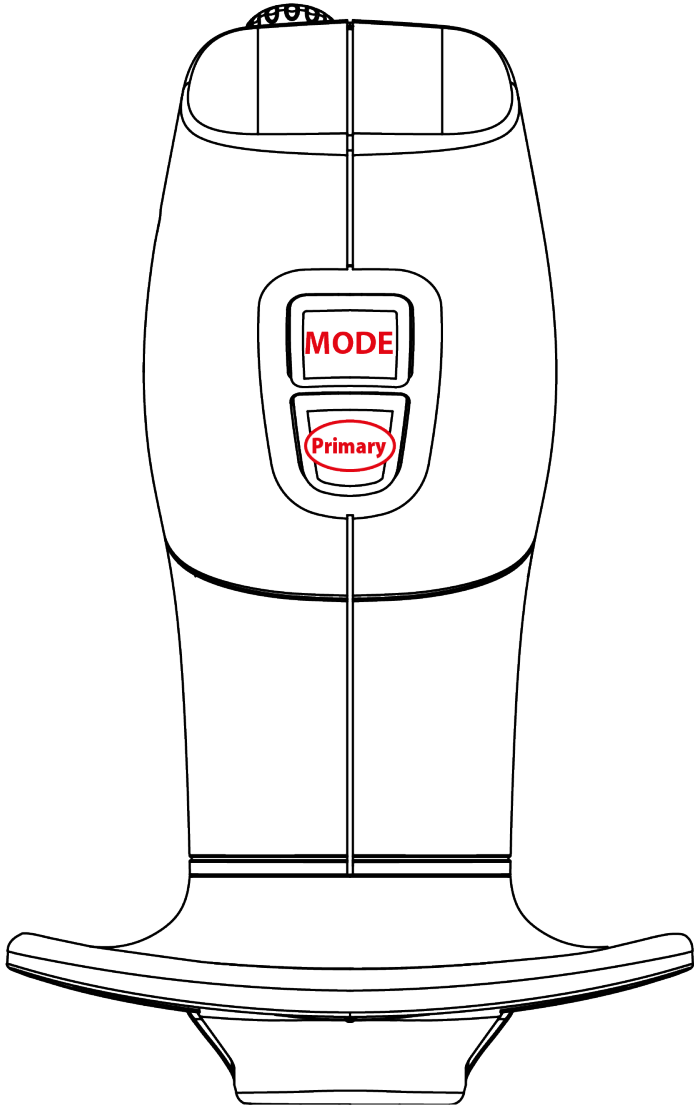
Podľa **tohto** postupu je možné zvoliť režim pre pravákov (predvolené) / pre ľavákov. Pri súčasnom používaní dvoch joystickov vám tento režim pomôže ich rozlíšiť.



Režim Jazdy



Režim Práca





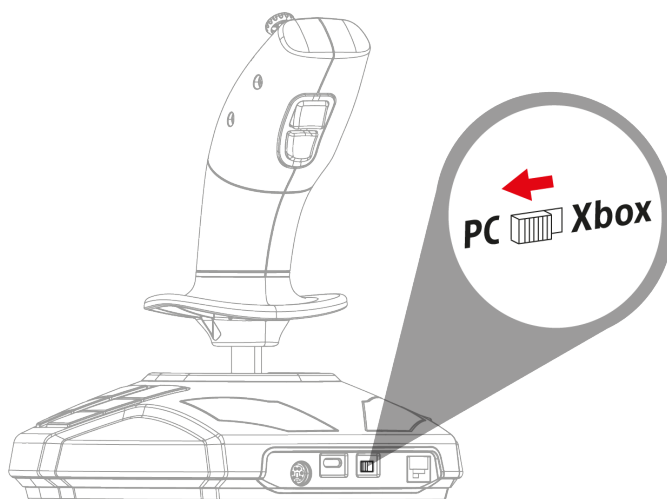
## 7. Inštalácia na PC

1. Prosím navštívte:

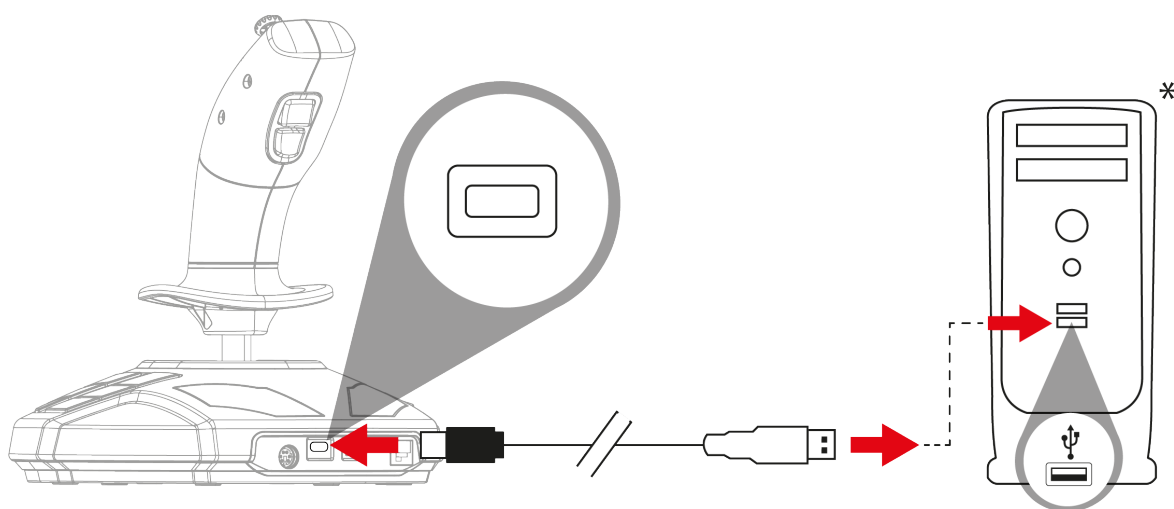
<https://support.thrustmaster.com/product/simtask-farmstick-x/>.

2. Stiahnite si a nainštalujte PC ovládač a jeho prispôsobené rozhranie pre ovládací panel Windows.

3. Po nainštalovaní ovládača pre PC nastavte prepínač 19 na zadnej strane joysticku do polohy PC.



4. Zapojte kábel USB-C – USB-A do portu USB C 18 na joysticku a do jedného z portov\* USB-A počítača.



\* nie je súčasťou balenia



5. Vyberte položku **Štart / Nastavenia / Ovládací panel** a dvakrát kliknite na položku **Herné ovládače**. V dialógovom okne **Herné ovládače** sa zobrazí názov joysticku so stavom **OK**.
6. V okne **Ovládací panel** kliknite na **Vlastnosti**, aby ste otestovali a zobrazili všetky funkcie. Môžete si tiež vybrať režim pre pravákov (predvolené) alebo režim pre ľavákov.

Teraz ste pripravení hrať!

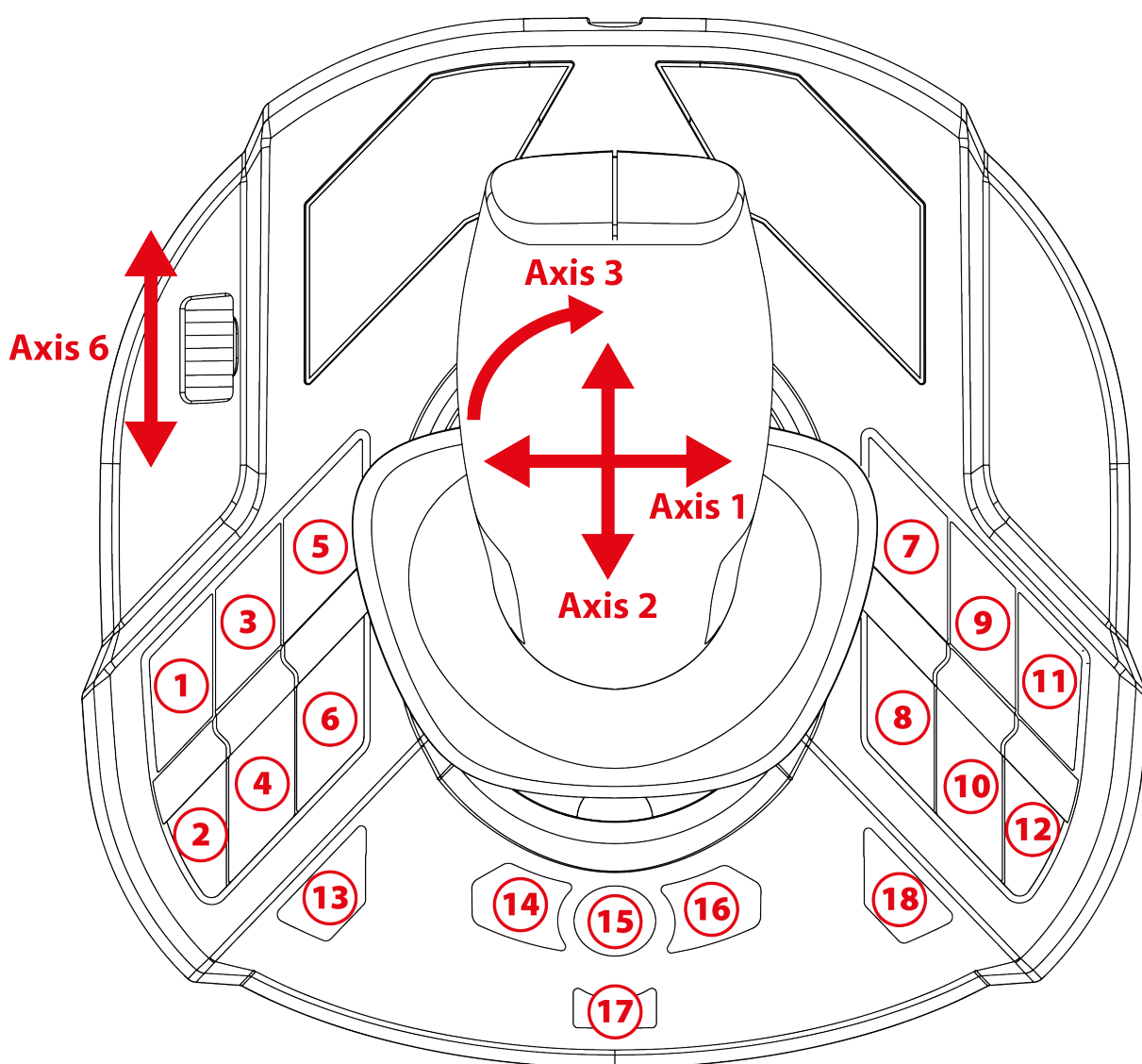


Pri pripájaní joysticku vždy držte rukoväť v jej strednej polohe, nehýbte ňou ani neotáčajte, aby ste predišli problémom s kalibráciou.



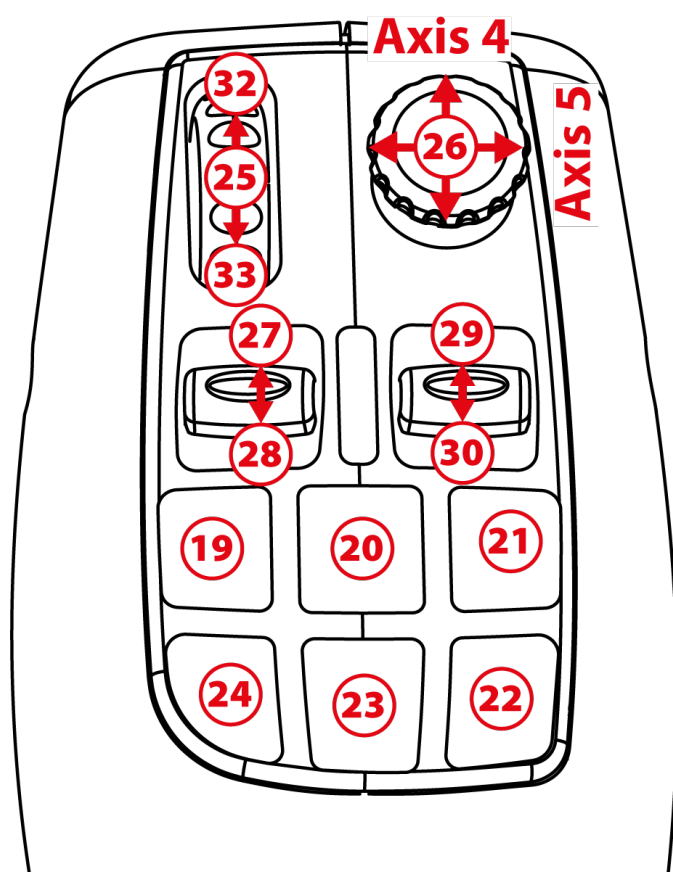


## 8. PC mapovanie

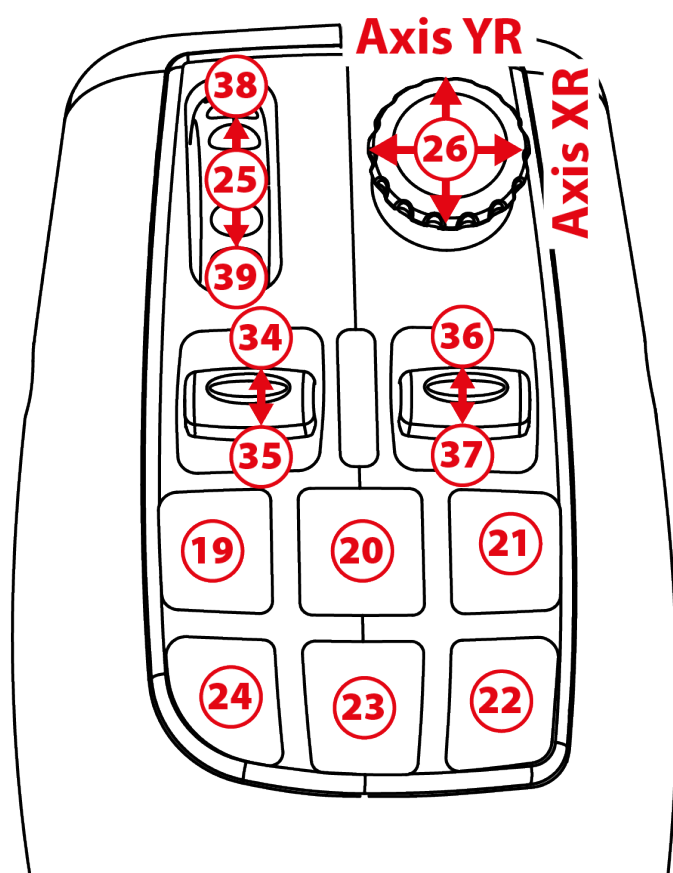


Mapovanie je identické v režime pre pravákov aj ľavákov.

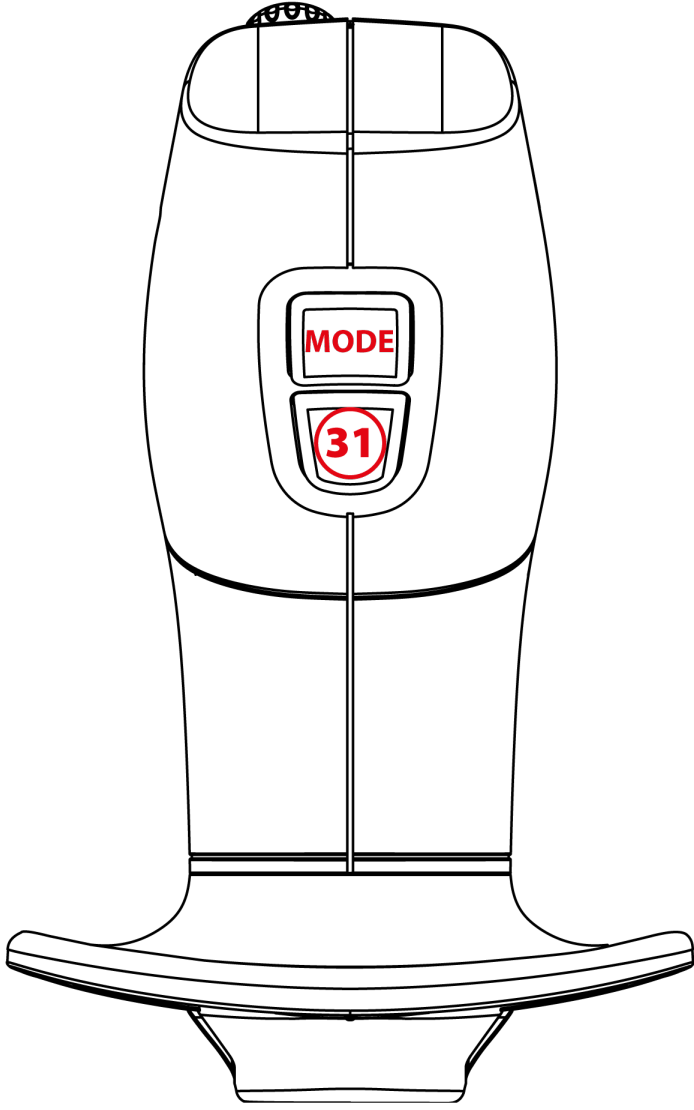
Režim pre pravákov (predvolené) alebo pre ľavákov je možné zvoliť podľa **tohto** postupu alebo v **Ovládacom paneli**. Pri súčasnom používaní dvoch joystickov vám tento režim pomôže ich rozlíšiť.



**Režim Jazdy**



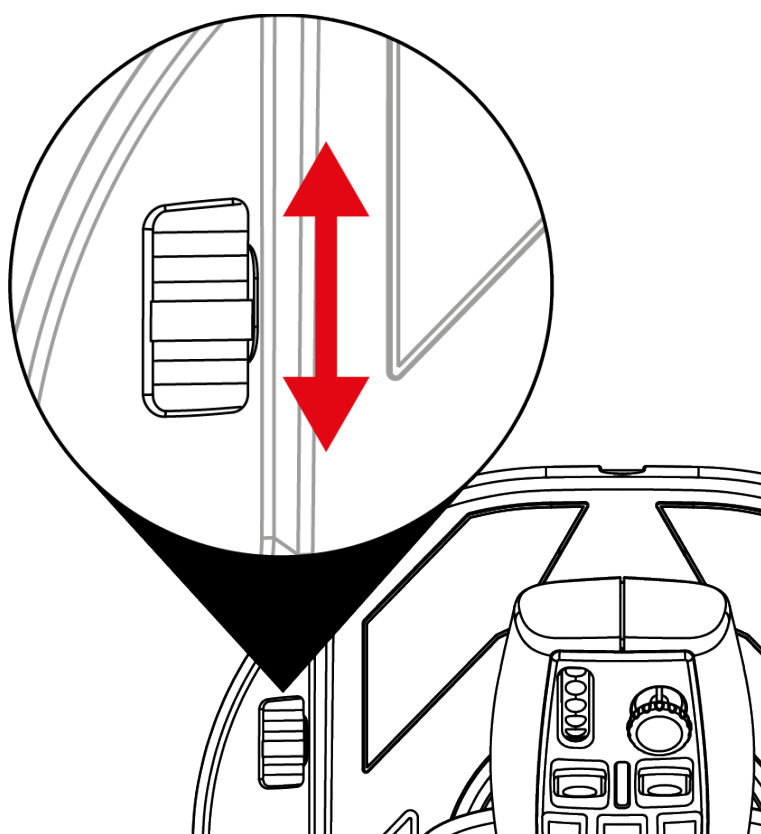
**Režim Práca**





## 9. Plynová páka

Váš joystick je vybavený plynovou pákou **8**, ktorá vám umožňuje jednoducho ovládať rýchlosť motora.

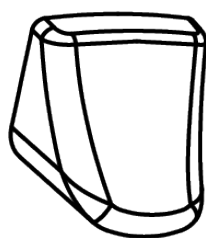




## 10. Vymeniteľná spúšť

Váš joystick je vybavený vymeniteľnou akčnou spúšťou **15**, ktorá poskytuje rôzne herné ergonómie.

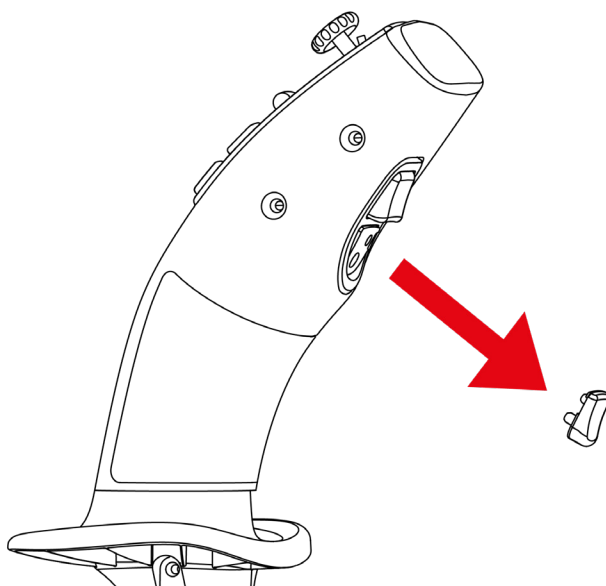
Štandardne nainštalovanú spúšť je možné nahradiť spúšťou vhodnou na simuláciu letu (súčasť aplikácie SimTask FarmStick).



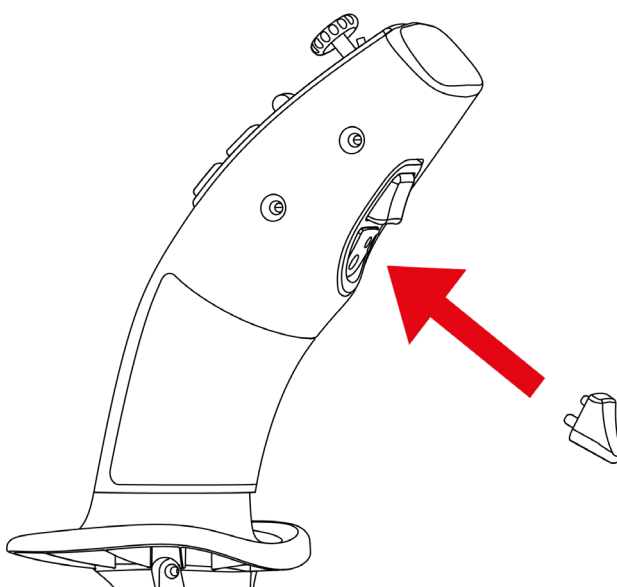


Ak chcete zmeniť spúšť:

1. Položte prsty na obe strany spúšte a opatrne ju potiahnite.



2. Vložte novú spúšť do správnej montážnej polohy.



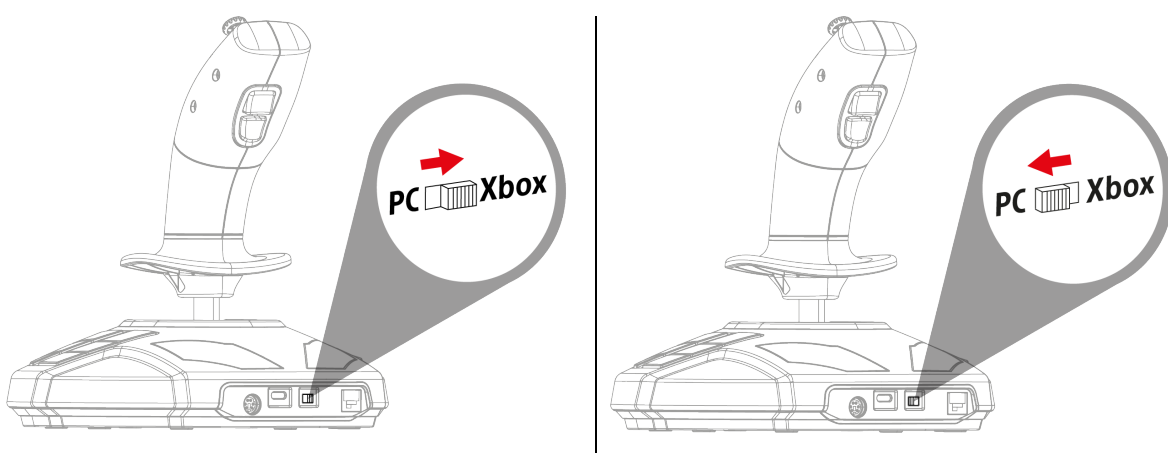
Centrovacie kolíky musia zapadnúť do svojej pozície v páke. Netlačte spúšť nasilu, pretože by ste mohli poškodiť kolíky.



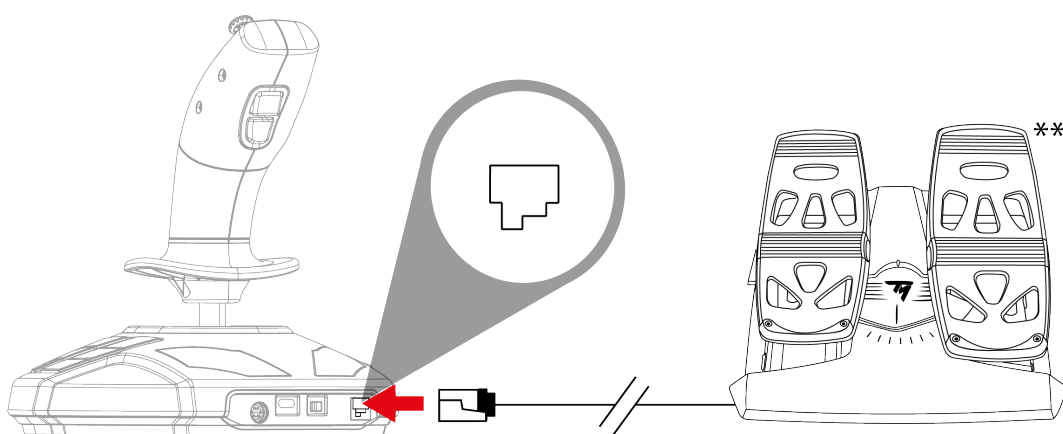
# 11. Inštalácia na Xbox Series X|S\* alebo PC\* s kormidlom TFRP\*\*

Kormidlo TFRP\*\* sa zapája do SimTask FarmStick.

1. Nastavte prepínač 19 na zadnej strane joysticku do polohy Xbox alebo PC.



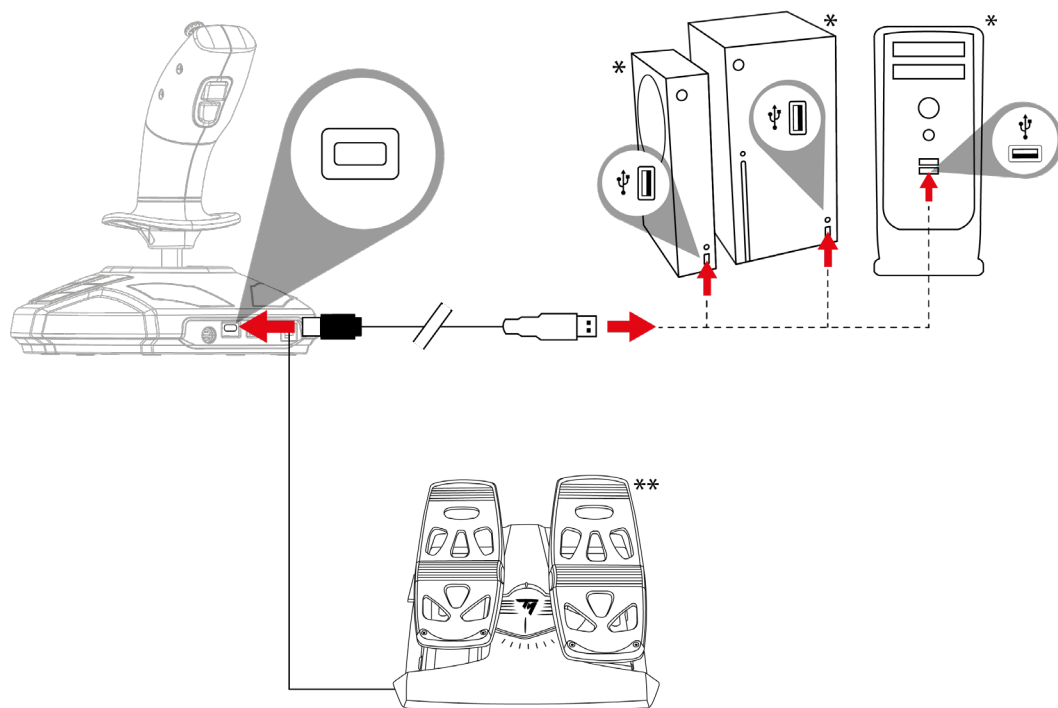
2. Zapojte\*\* RJ12 kábel TFRP kormidla do portu RJ12 20 na zadnej strane joysticku.



\* nie je súčasťou balenia / \*\*predávané samostatne



3. Zapojte kábel USB-C – USB-A do portu USB C na joysticku 18 a do portu USB-A konzoly\* alebo počítača\*.



- Pri pripájaní joysticku vždy držte rukoväť v jej strednej polohe, nehýbte ňou ani neotáčajte, aby ste predišli problémom s kalibráciou.
- Pri pripájaní kormidla k joysticku: vždy držte os kormidla v jej centrálnej polohe a nepokladajte nohy na pedále kormidla, aby ste predišli problémom s kalibráciou.

\* nie je súčasťou balenia / \*\* predávané samostatne





## 12. Často kladené otázky a technická podpora

### ***Môj joystick nefunguje správne alebo sa zdá byť nesprávne kalibrovaný.***

- Vypnite konzolu alebo počítač a odpojte joystick; potom znova zapnite konzolu alebo počítač, znova pripojte joystick a reštartujte hru.
- Pri pripájaní joysticku: vždy držte rukoväť v jej strednej polohe, nehýbte ňou ani neotáčajte, aby ste predišli problémom s kalibráciou.
- Pri pripájaní kormidla k joysticku: vždy držte os kormidla v jej centrálnej polohe a nepokladajte nohy na pedále kormidla, aby ste predišli problémom s kalibráciou.



## ***Nemôžem nakonfigurovať svoj joystick***

- V ponuke **Možnosti / Ovládač / Gamepad** alebo **Joystick** vašej hry: vyberte príslušnú konfiguráciu alebo úplne prekonfigurujte možnosti ovládača.
- Ďalšie informácie nájdete v používateľskej príručke vašej hry alebo v online pomoci.



## *Môj joystick je príliš citlivý alebo nedostatočne citlivý.*

- Po vykonaní niekoľkých pohybov pozdĺž rôznych osí sa váš joystick samostatne kalibruje.
- V ponuke **Možnosti / Ovládač / Gamepad** alebo **Joystick** vašej hry: upravte citlivosť a mŕtve zóny pre váš joystick (ak sú tieto možnosti k dispozícii).

Máte otázky týkajúce sa SimTask FarmStick alebo máte technické problémy? Ak áno, navštívte webovú stránku technickej podpory Thrustmaster:

<https://support.thrustmaster.com/product/simtask-farmstick-x/>.



# **THRUSTMASTER®**



# **SIMTASK FARMSTICK**

**XBOX SERIES X|S – PC**

## **Használati útmutató**



A termék telepítése **előtt**, használata **előtt** és karbantartása **előtt** **figyelmesen olvassa el** a jelen útmutatóban található utasításokat. Feltétlenül tartsa be a biztonsági utasításokat. Az utasítások figyelmen kívül hagyása baleseteket és/vagy károkat okozhat. Őrizze meg ezt a használati útmutatót, hogy a jövőben hivatkozhatson az utasításokra.

# TARTALOMJEGYZÉK

1.	DOBOZ TARTALMA .....	5
2.	FUNKCIÓK.....	6
3.	FELHASZNÁLÁSI INFORMÁCIÓK.....	9
4.	A JOYSTICK MEGISMERÉSE .....	12
	<i>Legfontosabb jellemzők .....</i>	<i>12</i>
	<i>H.E.A.R.T. (HallEffect AccuRate Technology)</i> <i>precíziós technológia.....</i>	<i>13</i>
	<i>Vezetési mód &lt;&gt; Munka mód .....</i>	<i>14</i>
	<i>Markolat forgatása .....</i>	<i>17</i>
	<i>“Nézetváltó” mini-stick .....</i>	<i>18</i>
	<i>SimTask FarmStick csatlakoztatás Xbox</i> <i>Series X S-en* és PC-n* .....</i>	<i>19</i>
	<i>Jobb -és balkezes joystick konfiguráció .</i>	<i>21</i>

<b>5.</b>	<b>TELEPÍTÉS XBOX SERIES X S-RE .....</b>	<b>24</b>
<b>6.</b>	<b>XBOX GOMB -ÉS TENGELYKIOSZTÁS...26</b>	
<b>7.</b>	<b>TELEPÍTÉS PC-RE.....</b>	<b>29</b>
<b>8.</b>	<b>PC GOMB -ÉS TENGELYKIOSZTÁS .....</b>	<b>31</b>
<b>9.</b>	<b>GÁZKAR .....</b>	<b>34</b>
<b>10.</b>	<b>CSERÉLHETŐ RAVASZ .....</b>	<b>35</b>
<b>11.</b>	<b>TELEPÍTÉS XBOX SERIES X S*-RE VAGY PC*-RE TFRP OLDALKORMÁNNYAL** .....</b>	<b>37</b>
<b>12.</b>	<b>GYIK ÉS TECHNIKAI TÁMOGATÁS .....</b>	<b>39</b>



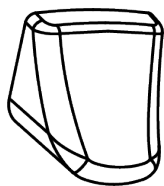
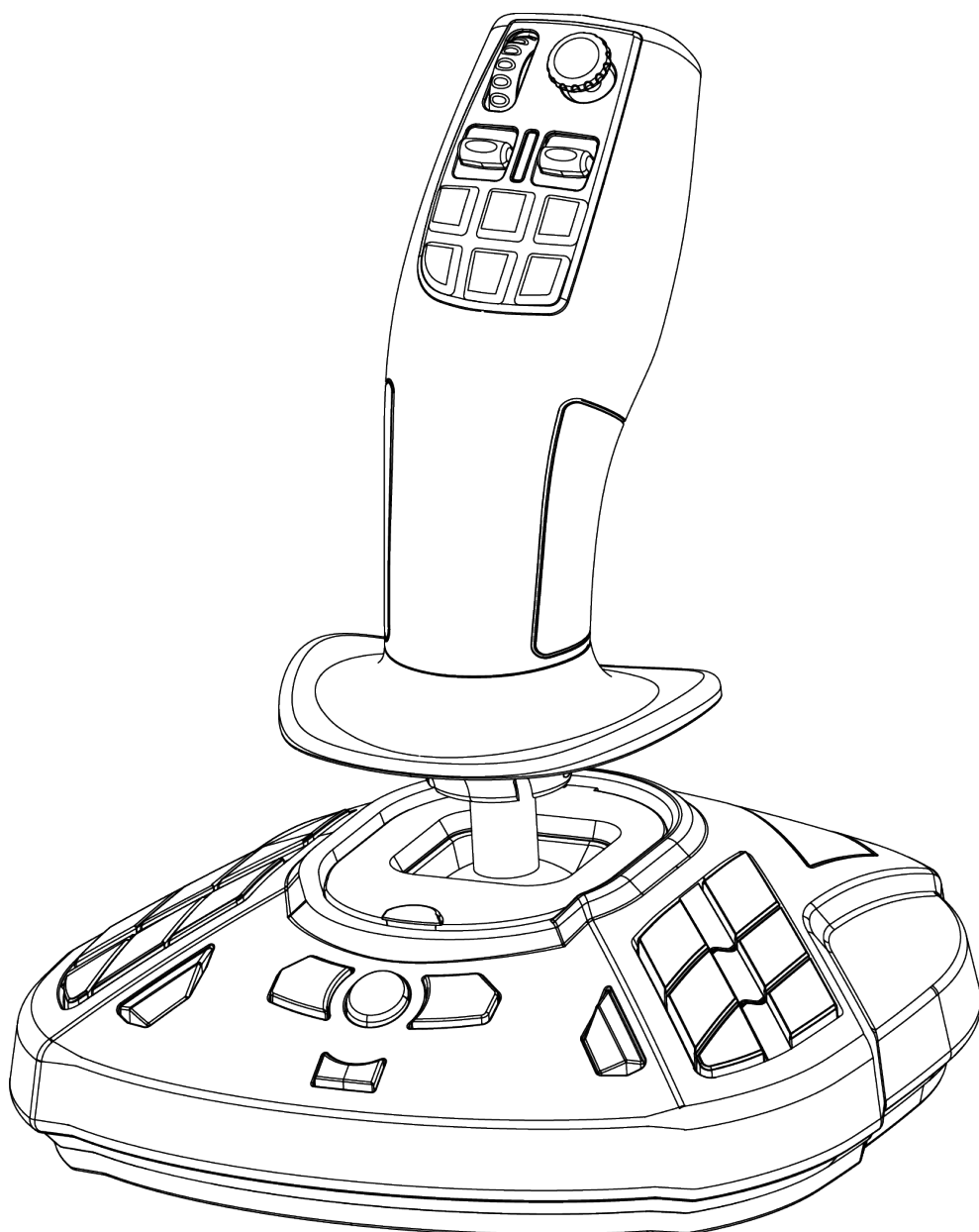
A Thrustmaster SimTask FarmStick-vel egy olyan eszköz használatát élvezheti, amely tökéletesen illeszkedik a mezőgazdasági és építőipari gépek kezeléséhez.

A SimTask FarmStick-et joystickként is használhatja repülés szimulációban.

Ez az útmutató segít a SimTask FarmStick telepítésében és használatában a legjobb feltételek mellett. Használat előtt, olvassa el figyelmesen az összes utasítást és figyelmeztetést: ezek segítenek abban, hogy a lehető legtöbbet hozza ki a termékből.



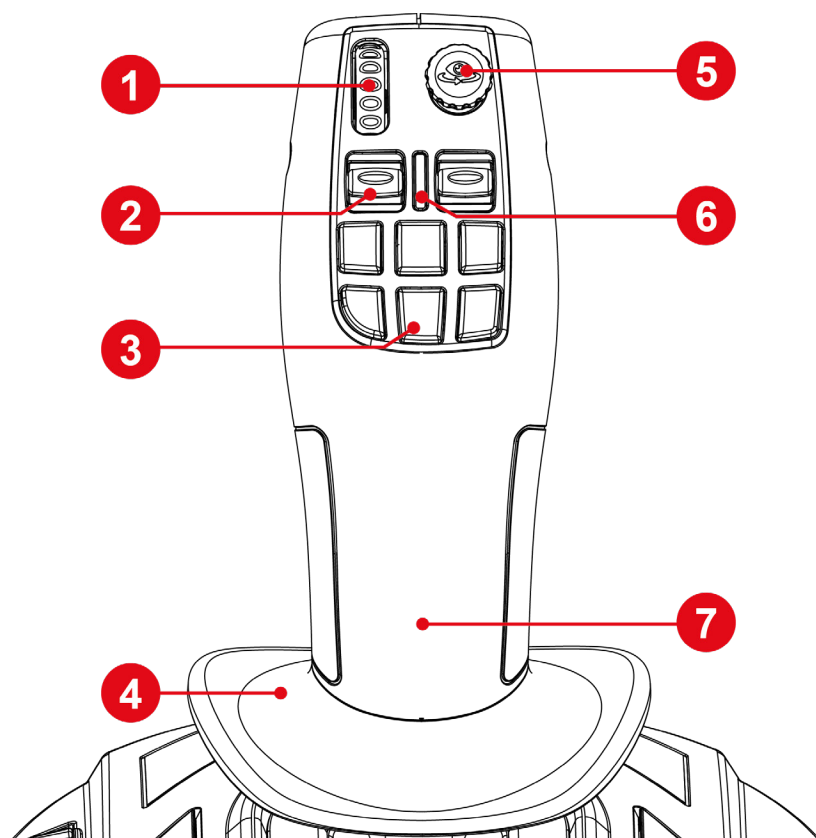
# 1. Doboz tartalma



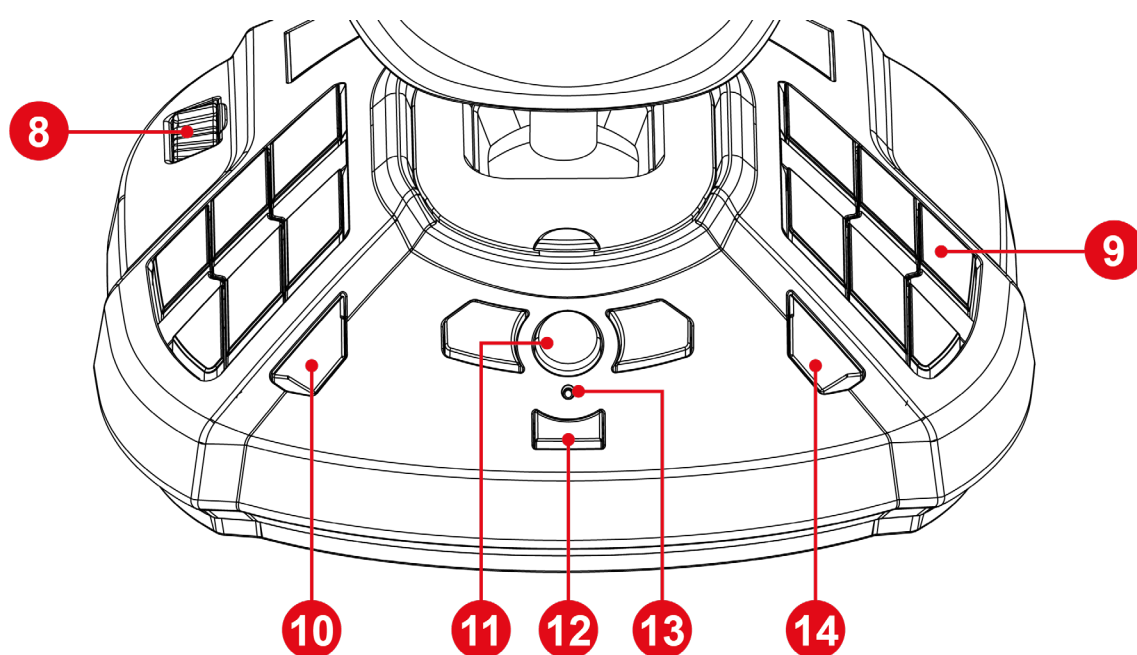




## 2. Funkciók



1. Görgetőkerék
2. Billenőkapcsoló
3. Gyorsfunkció gombok
4. Kéztámasz
5. "Nézetváltó" mini-stick
6. Irányítókar módjelző LED
7. Kétkezes markolat



8. Gázkar

9. Programozható akciógombok

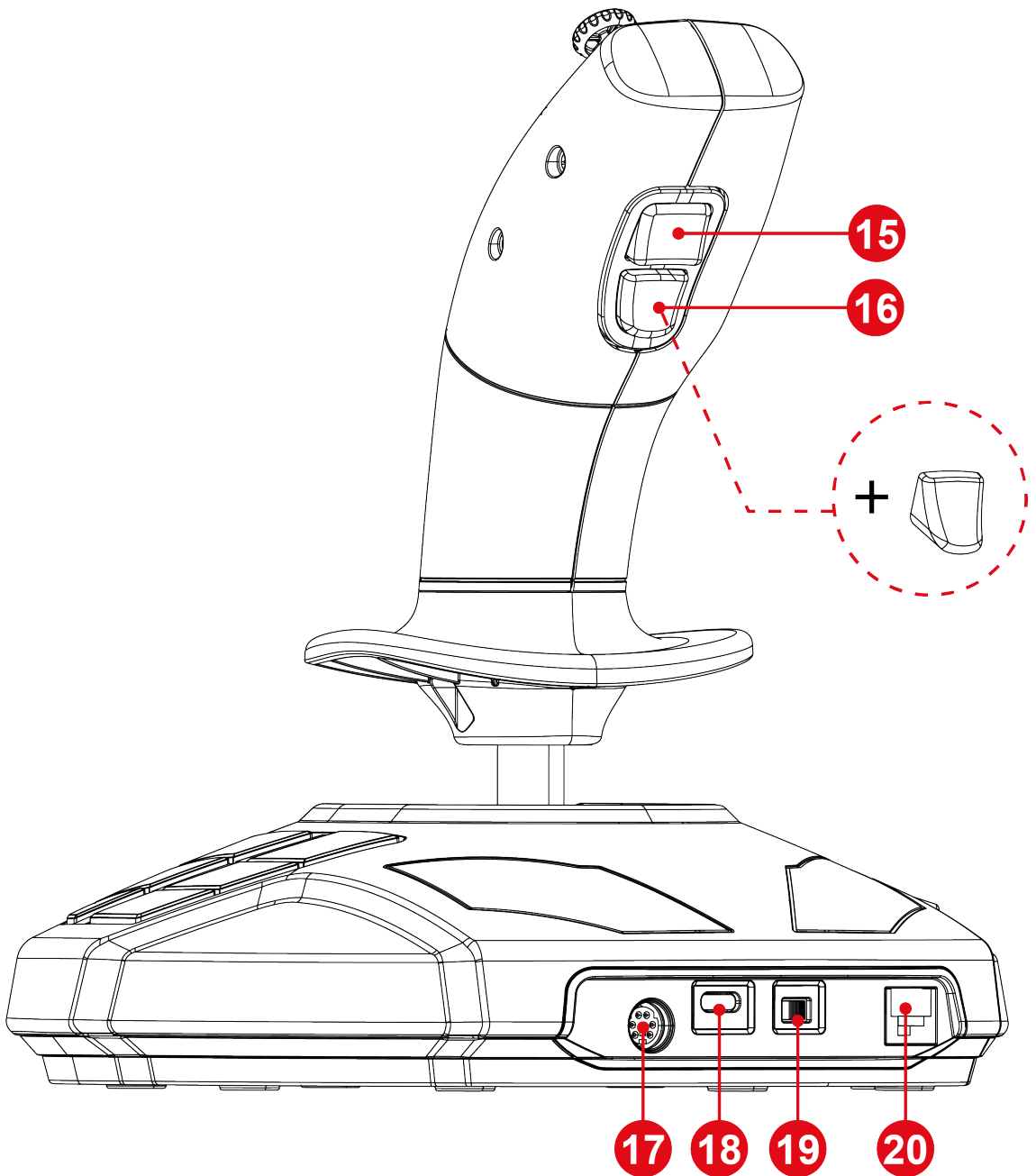
10. View (Megtekintés) gomb

11. Xbox gomb

12. Share (Megosztás) gomb

13. Jelzőfény

14. Menu (Menü) gomb



- 15. Irányítókar módváltó gomb
- 16. Cserélhető akcióravasz
- 17. DIN port további kiegészítőkhöz\*
- 18. USB-C port
- 19. Xbox / PC Kiválasztó
- 20. RJ12 port TFRP oldalkormányhoz\*

*\*külön kapható*



### 3. Felhasználási információk



#### **Dokumentáció**

A termék használata előtt olvassa el még egyszer figyelmesen ezt a dokumentációt, és őrizze meg a későbbi használatra.



### **Elektromos áramütés**

- Tartsa a terméket száraz helyen és ne tegye ki pornak vagy napfénynek.
- Tartsa be a csatlakoztatási utasításokat.
- Ne csavarja vagy húzza meg a csatlakozót és kábelt.
- A termék vagy a csatlakozója ne érintkezzen folyadékkal.
- Ne zárja rövidre a terméket.
- Soha ne szedje szét a terméket; ne dobja tűzre, és ne tegye ki magas hőmérsékletnek.
- Ne nyissa fel az eszközt: semmilyen a felhasználó által javítható alkatrész nincs benne. Csak a gyártó, a meghatalmazott képviselő és szakképzett technikus javíthatja a terméket.



### **A játéktér biztosítása**

- Ne helyezzen el a játéktérben olyan tárgyat, amely zavarhatja a felhasználó gyakorlását, vagy amely nem megfelelő mozgást vagy más személy általi megszakítást idézhet elő (például kávéscsésze, telefon, kulcsok).
- Ne takarja le az elektromos kábeleket szőnyeggel, takaróval, illetve ne fedje le semmilyen más tárggyal, és ne helyezzen el kábeleket olyan helyre, ahol emberek járkálnak.



## 4. A joystick megismerése

### *Legfontosabb jellemzők*

- 33 gomb és 6 virtuális gomb, köztük egy görgetőkerék és két billenőkapcsoló
- 6 tengely, beleértve egy mini-sticket, a joystick markolat forgatását és egy gázkart
- Irányítókar módjelző LED
- H.E.A.R.T. technológia (HallEffect AccuRate Technology)
- Csatlakozás USB-A porthoz
- Gázkar
- RJ12 port TFRP oldalkormányhoz\*

*\*külön kapható*



## ***H.E.A.R.T. (HallEffect AccuRate Technology) precíziós technológia***

A SimTask FarmStick olyan technológiával rendelkezik, amely a gaming joystickok világában jelenleg páratlan pontosságot biztosít, többek között:

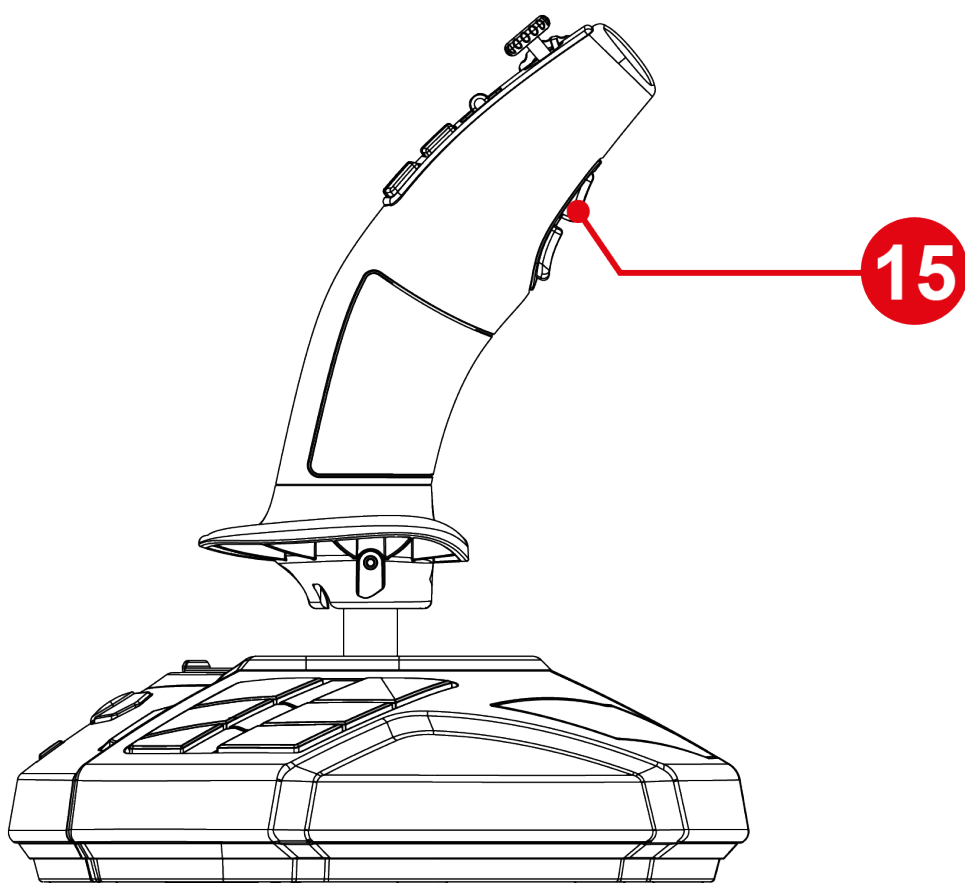
- A 3D (Hall Effektus) mágneses szenzorok az irányítókaron, több mint 268 millió érték felbontásával rendelkeznek az X és Y tengelyen (16,384 x 16,384 érték).
- Egy mágnes: nincs súrlódás, korlátlan pontosság és hihetetlen érzékenység, amely tartósan megmarad.
- Tekercsrugó az irányítókaron (2,8 mm): a szilárd, lineáris és rendkívül rugalmas ellenállásért.





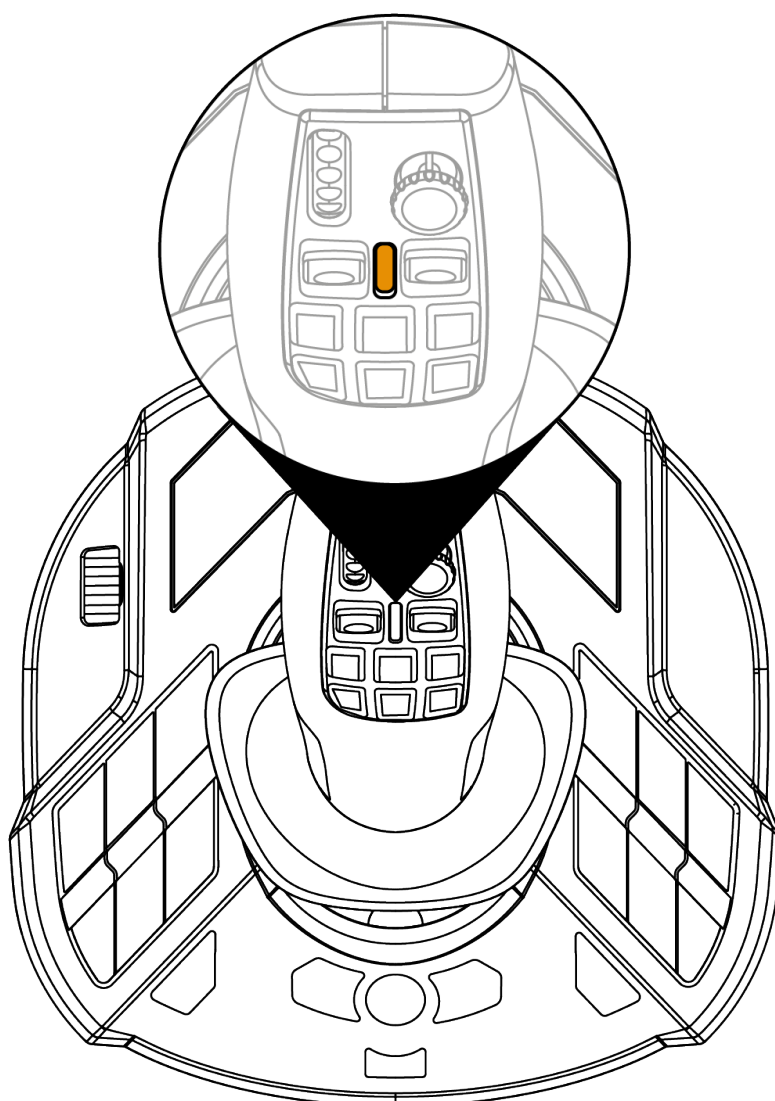
## Vezetési mód <math>\leftrightarrow</math> Munka mód

A **15** gomb segítségével **Vezetési** módból **Munka** módba és fordítva válthat.



Ez a funkció kibővíti a hüvelykujjal, azaz a görgetőkerékkel **1** és a két billenőkapcsolóval **2** végrehajtható műveletek körét.

A módváltás módosítja a görgetőkerékhez **1** és a két billenőkapcsolóhoz **2** kapcsolódó műveletet.



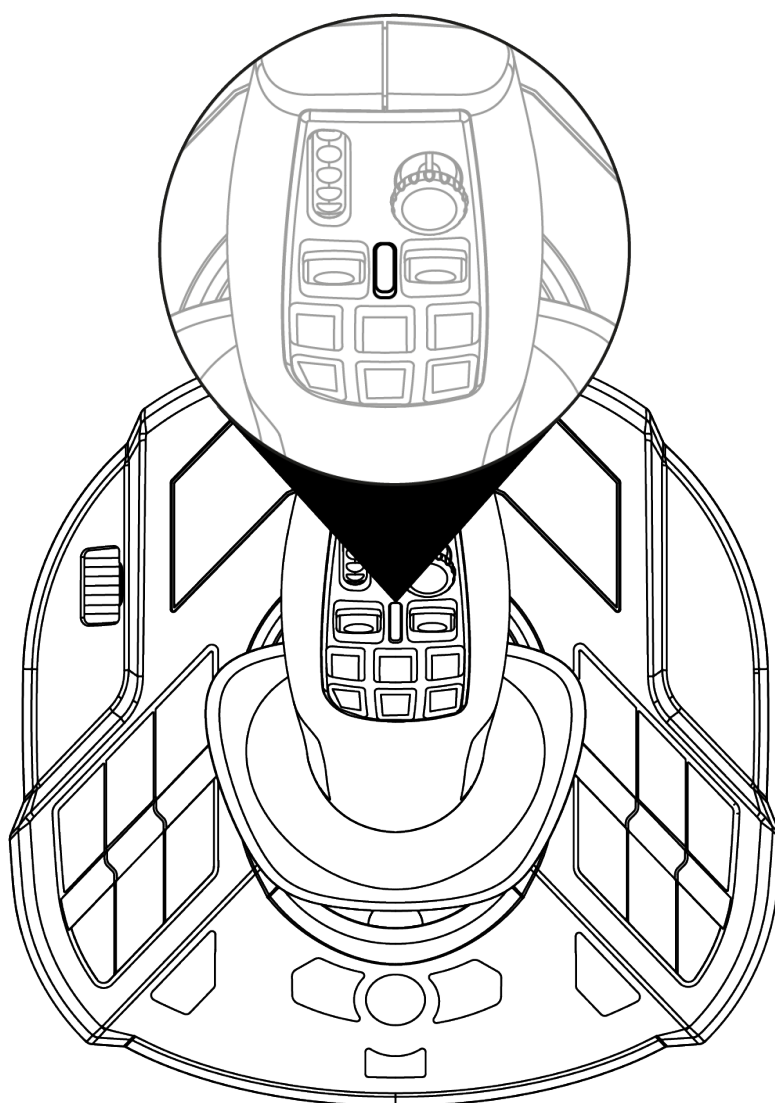
### **Vezetési mód (alapértelmezett)**

**Vezetési** módban, az irányítókar módjelző LED **6** narancssárgán gyullad ki.



**Vezetési** módban a görgetőkerékhez **1** és a billenőkapcsolóhoz **2** kapcsolódó műveletek a következők lehetnek:

- Görgetőkerék: a szabályozó beállítási pontjának vezérlése.
- Billenőkapcsolók: a sebességváltó kezelése.



## Munka mód

**Munka** módban, az irányítókar módjelző LED **6** fehéren gyullad ki.



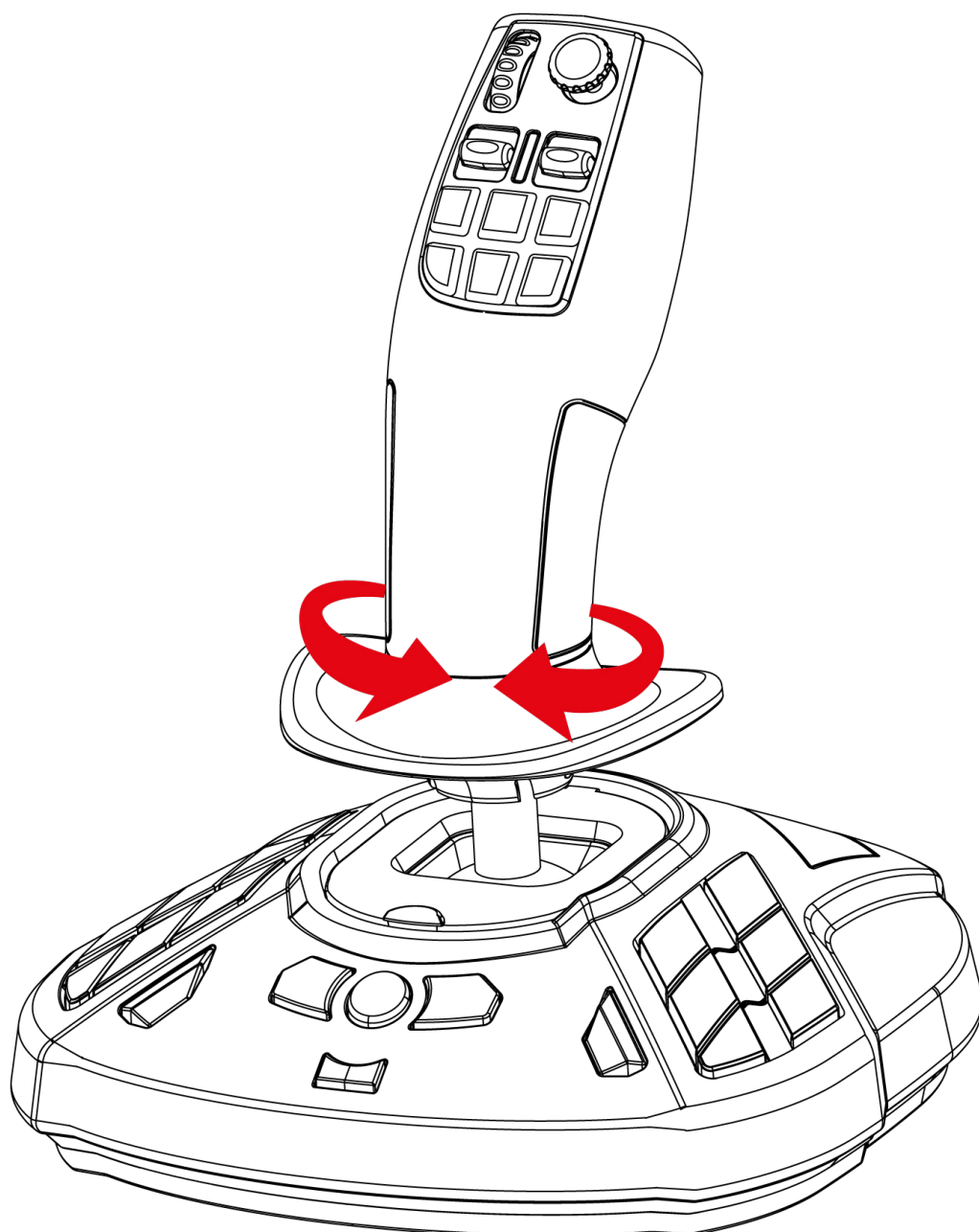
**Munka** módban, a görgetőkerékhez **1** és a billenőkapcsolóhoz **2** kapcsolódó műveletek a következők lehetnek:

- Görgetőkerék: a kamera zoom vezérlése.
- Billenőkapcsolók: darukarok vagy rakodógépek vezérlése.



## ***Markolat forgatása***

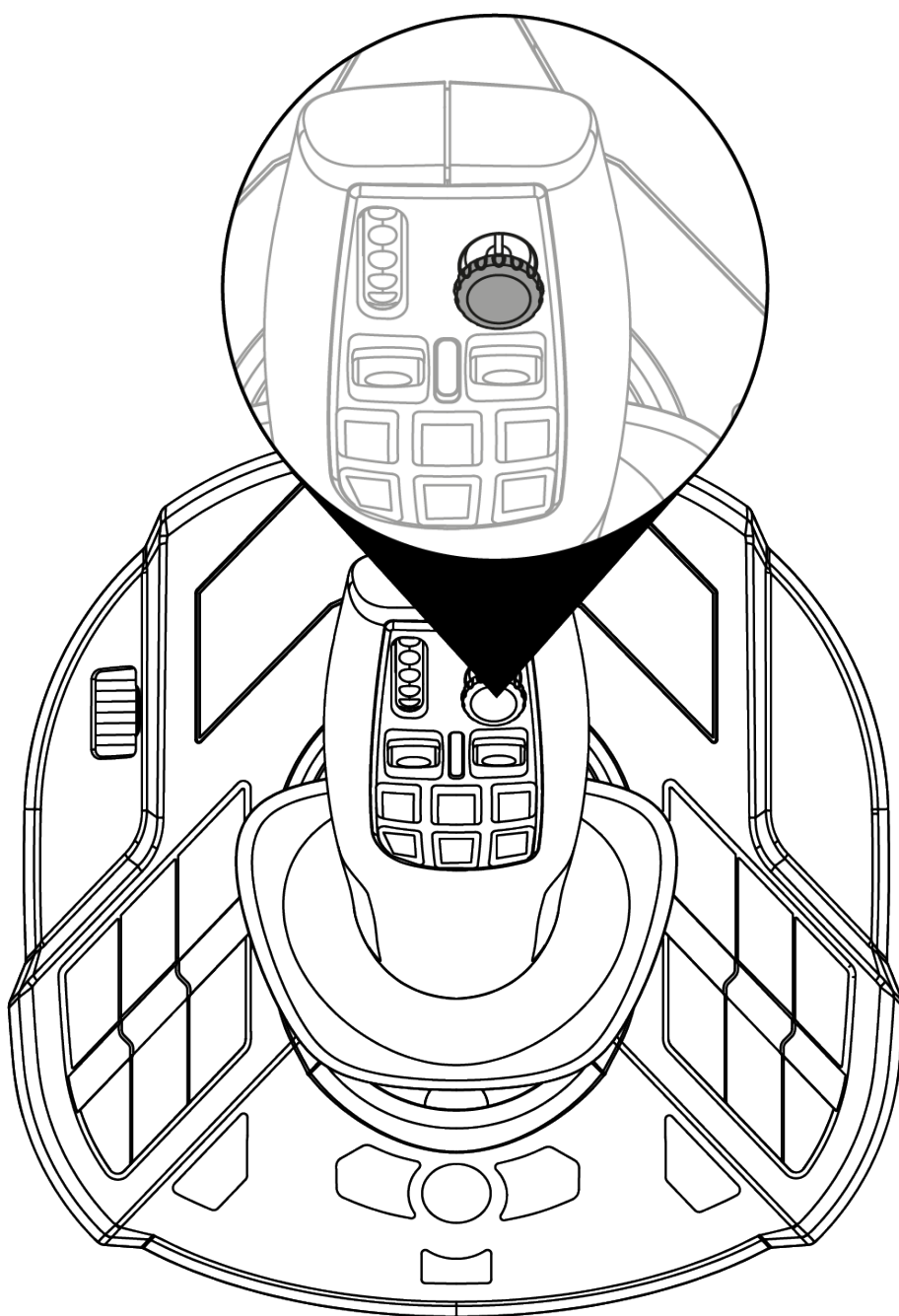
A SimTask FarmStick egy vízszintes tengely körül forgatható markolattal rendelkezik. Ez hasznos például darufej vagy markológép manőverezéséhez.





## **“Nézetváltó” mini-stick**

A SimTask FarmStick egy “Nézetváltó” mini-stickkel **5** rendelkezik, amely lehetővé teszi, hogy lássa, mi van a gépkezelő látómezőjében.





## ***SimTask FarmStick csatlakoztatás Xbox Series X|S-en\* és PC-n\****

A SimTask FarmStick hat tengellyel rendelkezik, de lehetőség van egy TFRP\*\* oldalkormány csatlakoztatására a joystick hátuljához. Ez további két tengelyt biztosít, valamint a TFRP-vel az oldalkormány vezérlését.

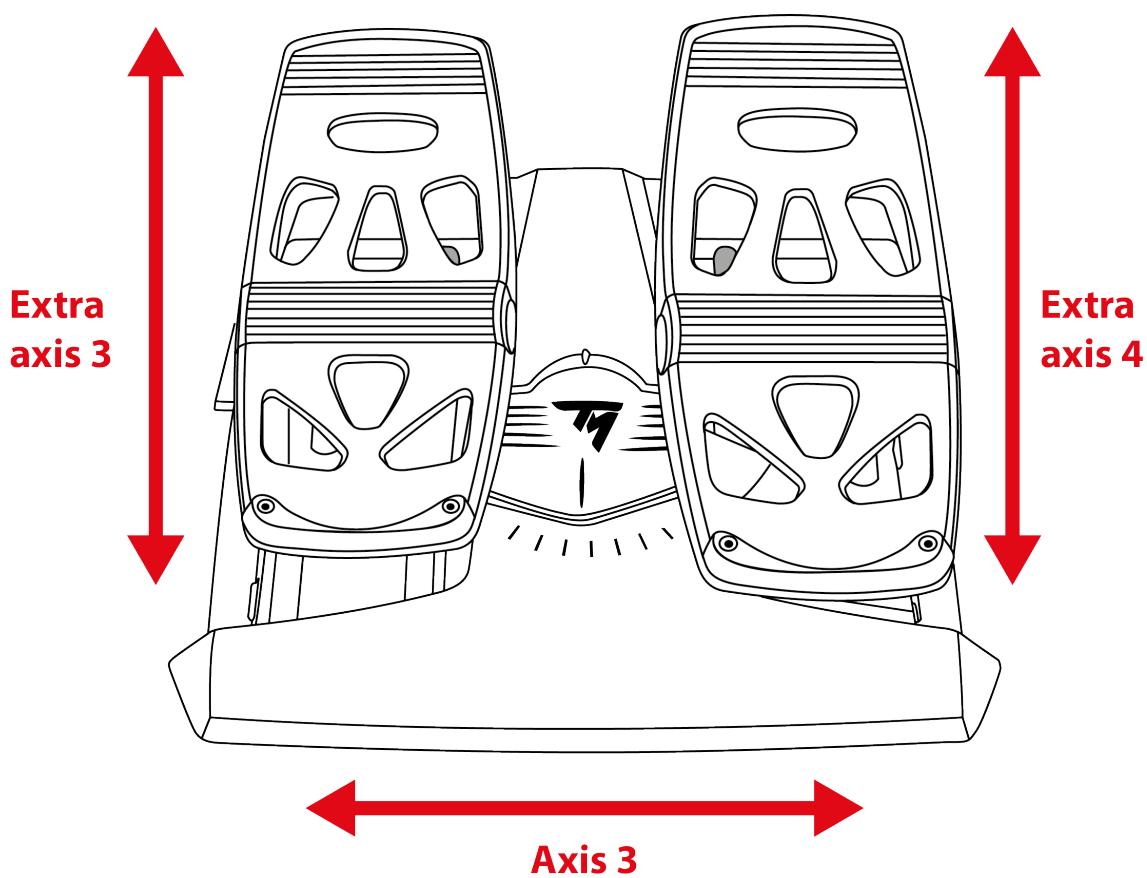


A TFRP oldalkormány az egyetlen eszköz, amelyet az Xbox Series X|S és a PC támogat.

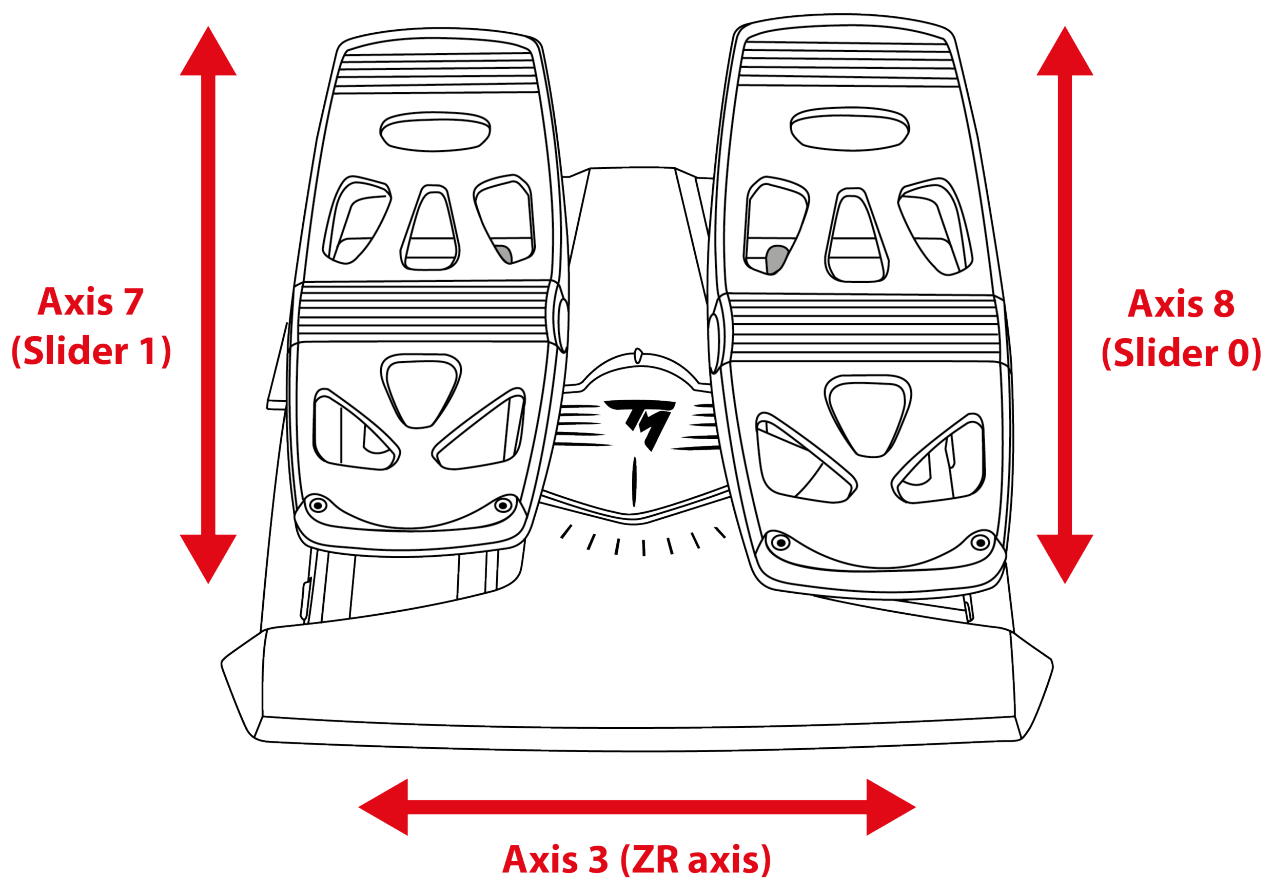
*\*nem tartalmazza / \*\*külön kapható*



Xbox tengelykiosztás:



PC tengelykiosztás:





## ***Jobb -és balkezes joystick konfiguráció***

A SimTask FarmStick kétkezes, hogy zökkenőmentesen alkalmazkodjon minden játékhoz, legyen az jobb- vagy balkezes.

Alapértelmezetten a joystick jobbkezes módba van állítva.

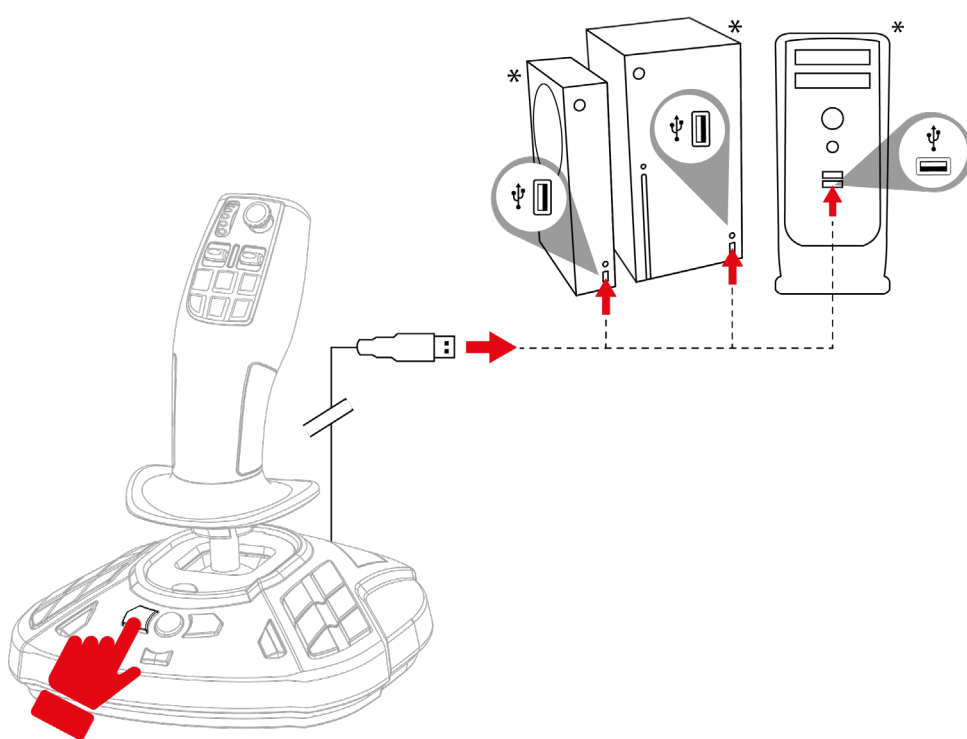




A joystick BALKEZES módba állítása:

1. Tartsa lenyomva a 14-es gombot (PC-n) vagy a Prev-et (Xbox Series X|S-en), amikor a SimTask FarmStick-et csatlakoztatja az Xbox Series X|S-hez vagy a PC-hez.

A LED irányítókar jelzőfény **6** 5 másodpercig fehérén villog.



2. Engedje fel a 14-es gombot (PC-n) vagy a Prev-et (Xbox Series X|S-en).



A BALKEZES mód automatikusan elmentésre kerül a SimTask FarmStick belső memóriájába.

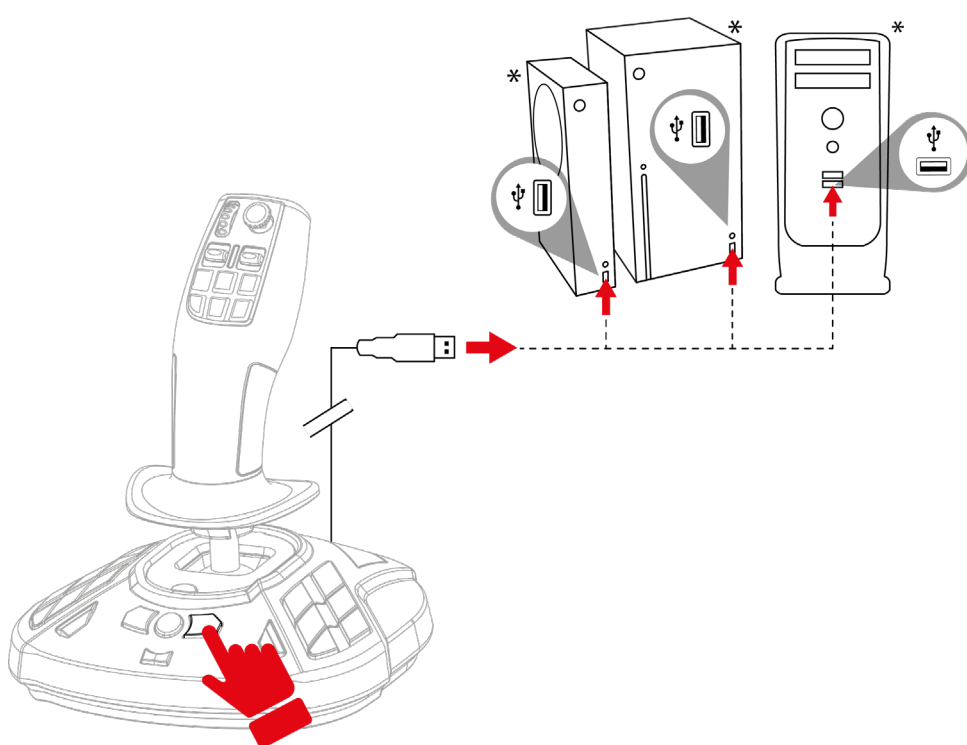
*\*nem tartalmazza*



A joystick JOBBKEZES módba visszaállítása:

1. Tartsa lenyomva a 16-os gombot (PC-n) vagy a Next-et (Xbox Series X|S-en), amikor a SimTask FarmStick-et csatlakoztatja az Xbox Series X|S-hez vagy a PC-hez.

A LED irányítókar jelzőfény **6** 5 másodpercig narancssárgán villog.



2. Engedje fel a 16-os gombot (PC-n) vagy a Next-et (Xbox Series X|S-en).



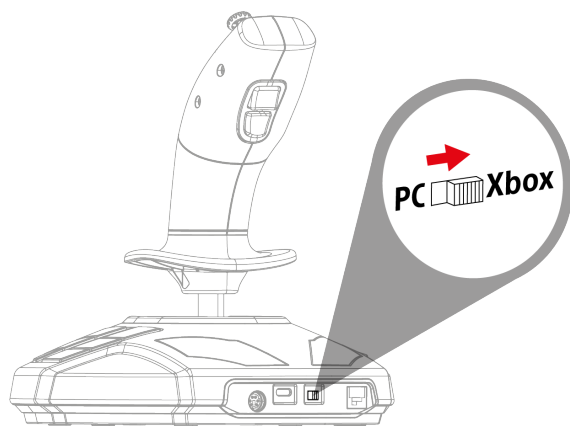
A JOBBKEZES mód automatikusan elmentésre kerül a SimTask FarmStick belső memóriájába.

*\*nem tartalmazza*

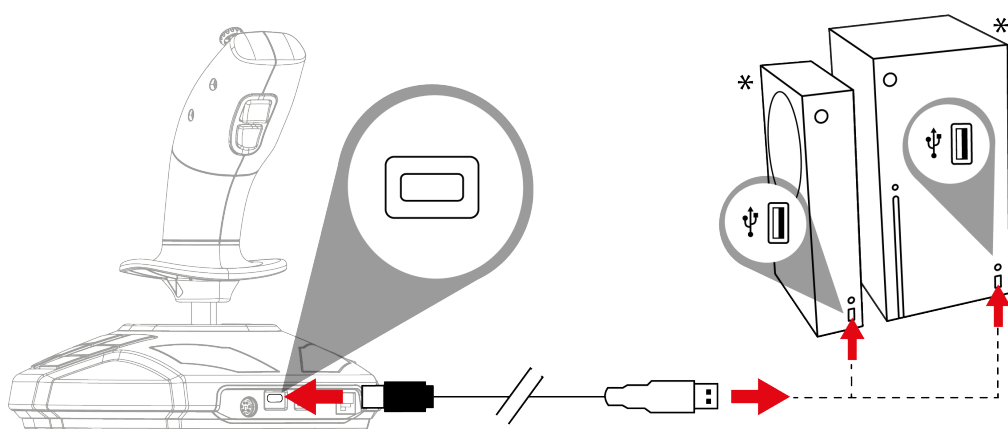


## 5. Telepítés Xbox Series X|S-re

1. Állítsa a joystick hátulján lévő kapcsolót **19** Xbox állásba.



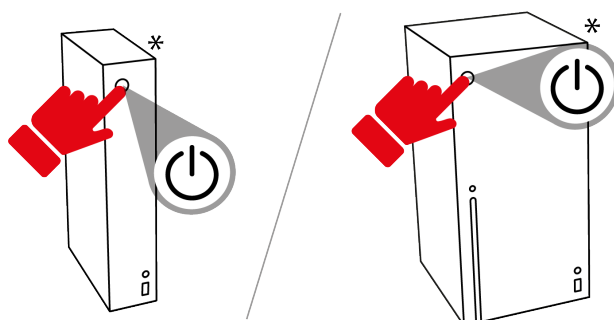
2. Csatlakoztassa az USB-C - USB-A kábelt a joystick USB-C portjához **18** és a konzol egyik\* USB-A portjához.



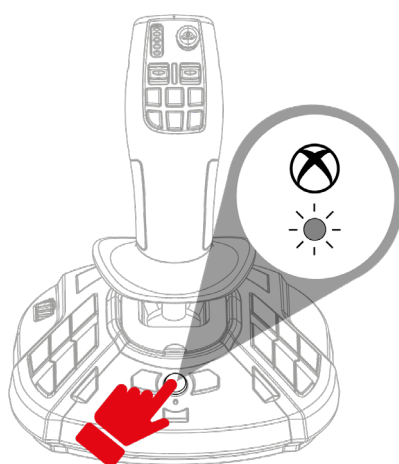
*\*nem tartalmazza*



3. Kapcsolja be a konzolt.



4. Nyomja meg az Xbox gombot. A joystick jelzőfénye fehérén fog világítani.



5. Indítson el egy kompatibilis játékot.

Már játszhat is!

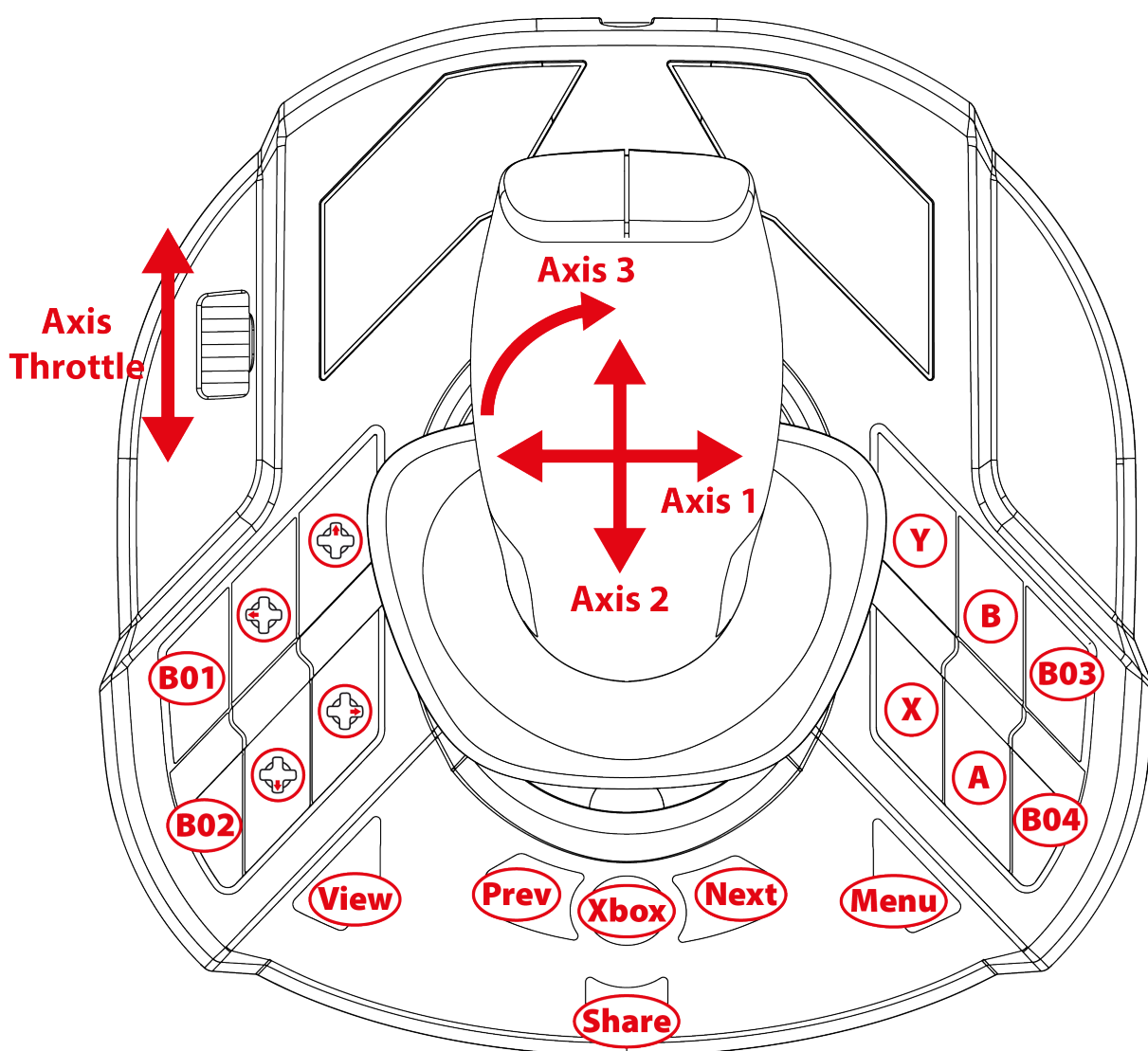


A joystick csatlakoztatásakor a kalibrációs problémák elkerülése érdekében a markolatot mindig tartsa a középső pozícióban, ne mozgassa vagy forgassa el.

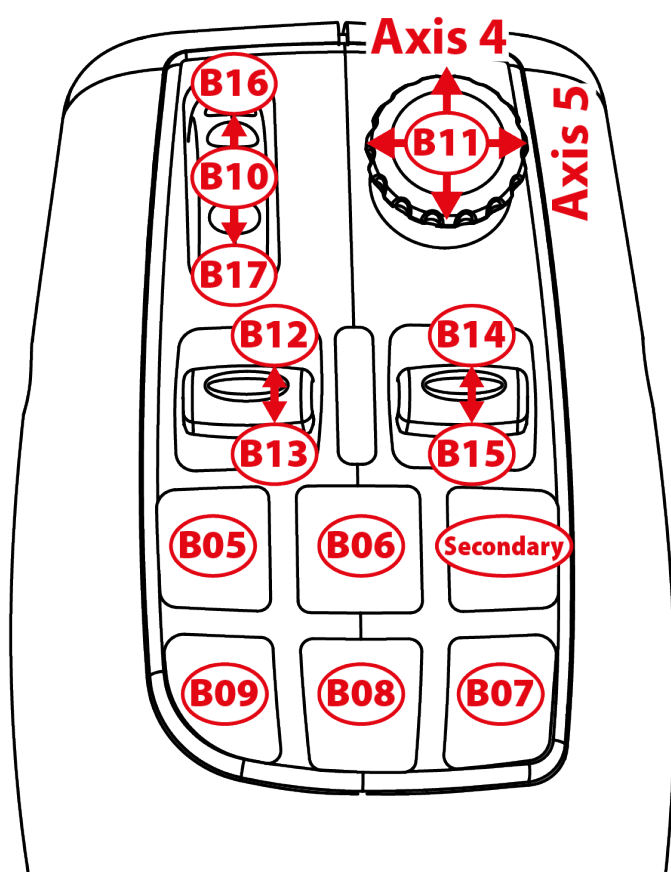
*\*nem tartalmazza*



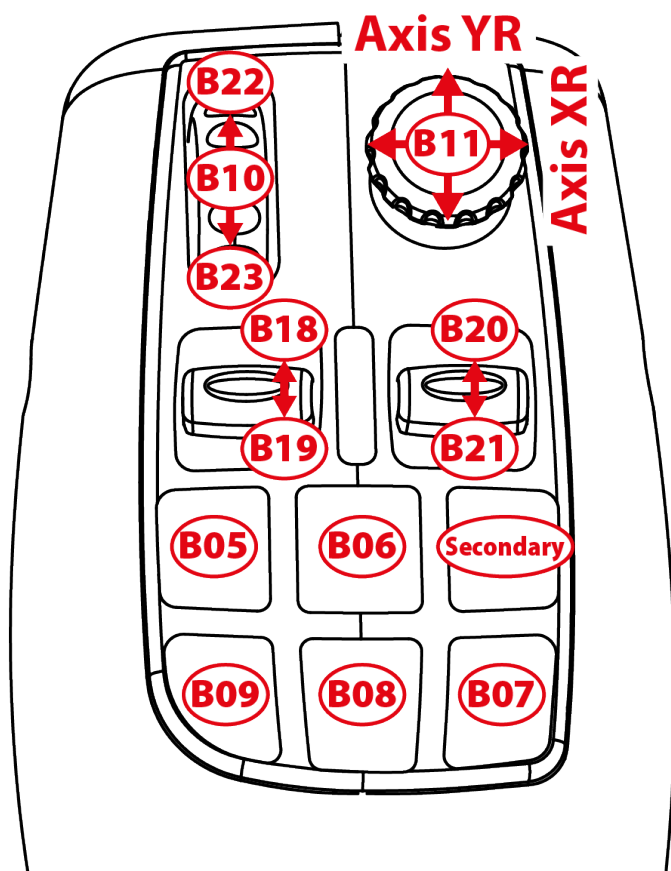
## 6. Xbox gomb -és tengelykiosztás



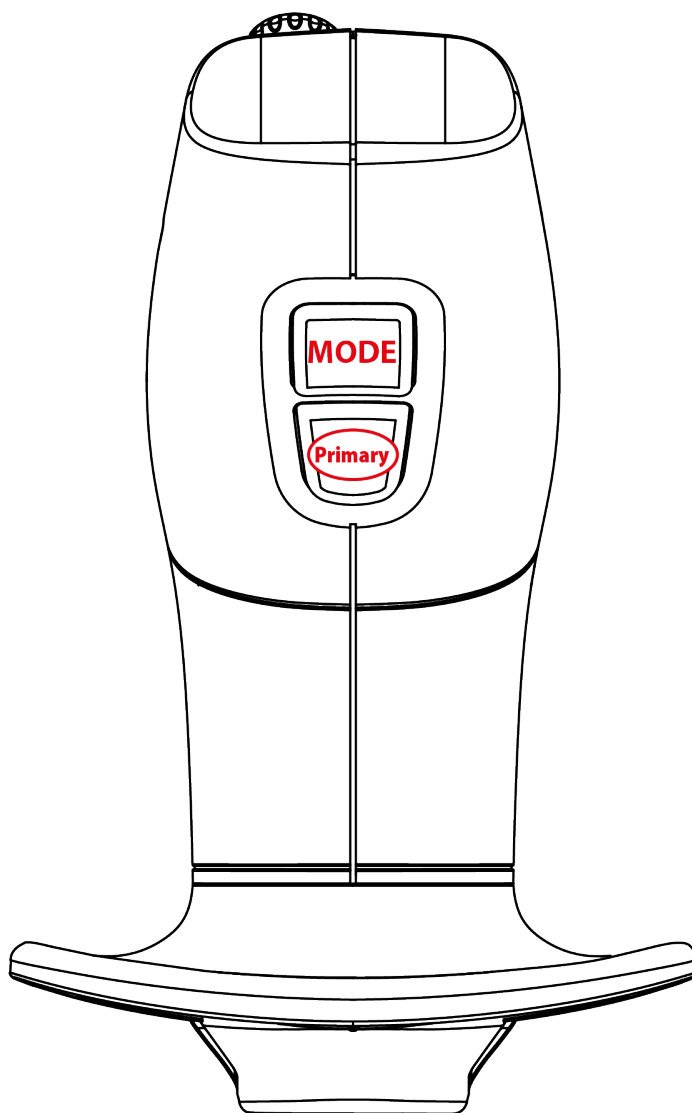
A gombkiosztás azonos a jobb- és a balkezes módban. A jobbkezes (alapértelmezett) / balkezes mód az **alábbi** módon választható ki. Két joystick egyidejű használatakor ez a mód segít megkülönböztetni őket.



**Vezetési mód**



**Munka mód**





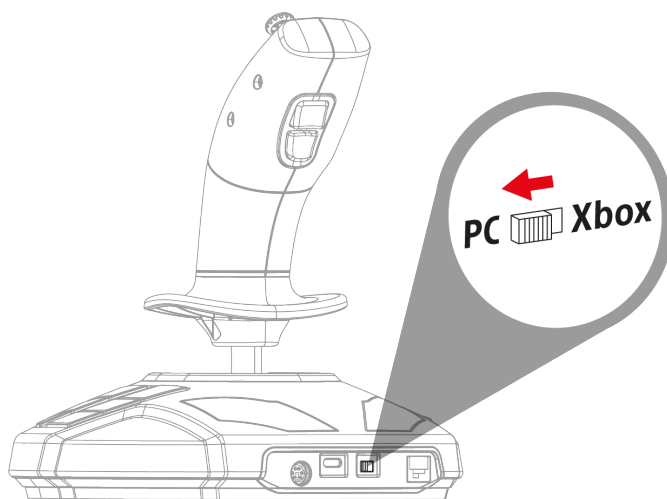
## 7. Telepítés PC-re

1. Látogasson el a:

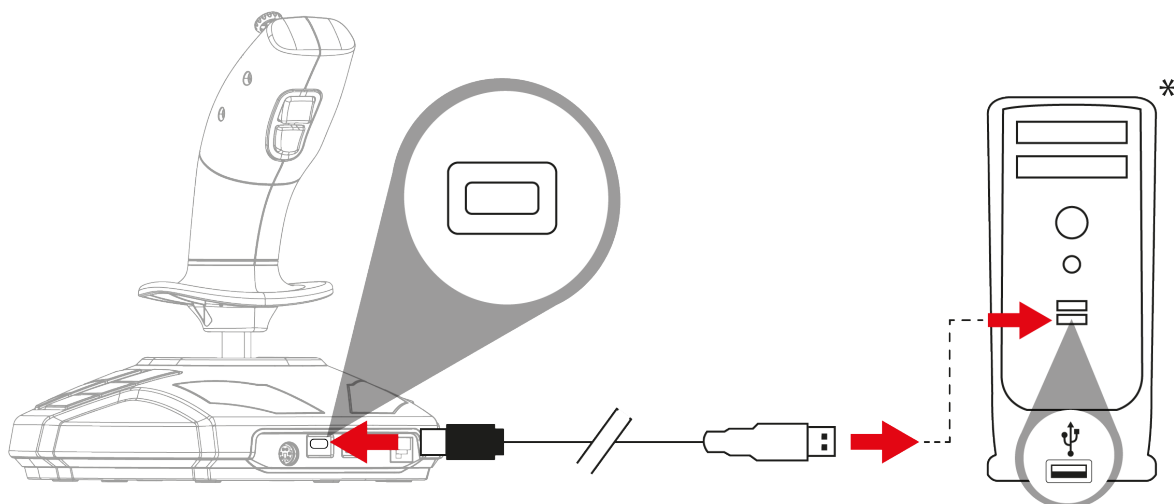
<https://support.thrustmaster.com/product/simtask-farmstick-x/> weboldalra.

2. Töltse le és telepítse a PC illesztőprogramot és annak testreszabott felületét a Windows vezérlőpulthoz.

3. A PC illesztőprogram telepítése után állítsa a joystick hátulján lévő kapcsolót **19** PC állásba.



4. Csatlakoztassa az USB-C - USB-A kábelt a joystick USB-C portjához **18** és a számítógép\* egyik USB-A portjához.



*\*nem tartalmazza*





5. Válassza ki a **Start / Beállítások / Vezérlőpultot** és dupla kattintson a **Játékvezérlőkre**. Megjelenik a **Játékvezérlők** párbeszédpanel a joystick nevével és az **OK** állapottal.
6. A **Vezérlőpult** ablakban, kattintson a **Tulajdonságokra** az összes funkció teszteléséhez és megtekintéséhez. Kiválaszthatja a jobbkezes (alapértelmezett) vagy a balkezes módot is.

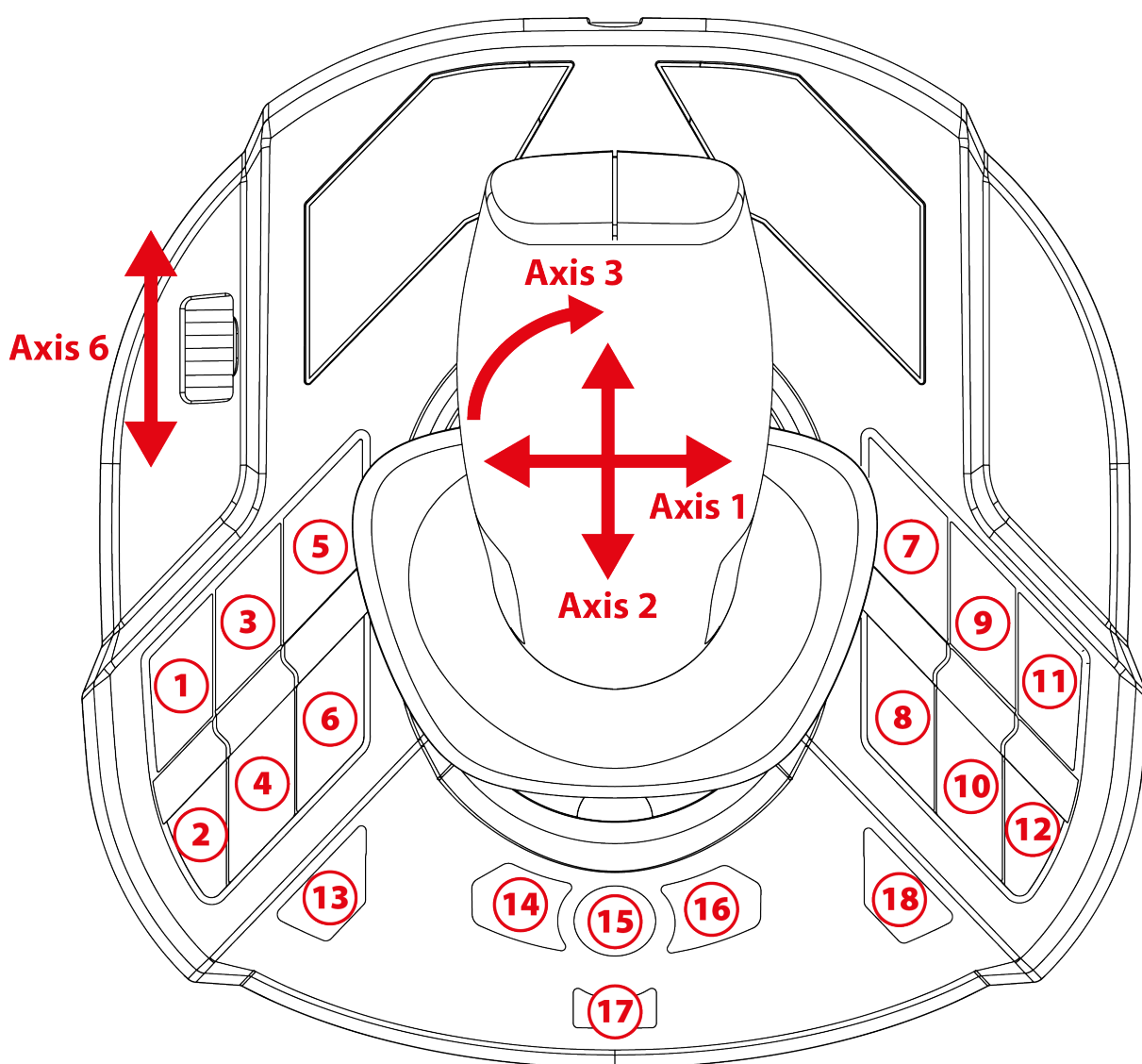
Már játszhat is!



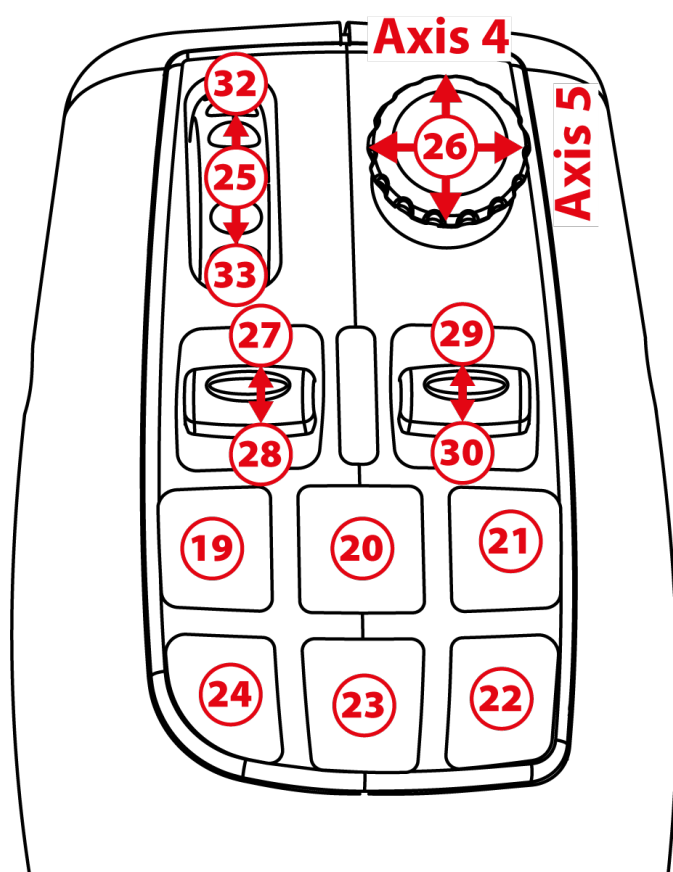
A joystick csatlakoztatásakor a kalibrációs problémák elkerülése érdekében a markolatot mindig tartsa a középső pozícióban, ne mozgassa vagy forgassa el.



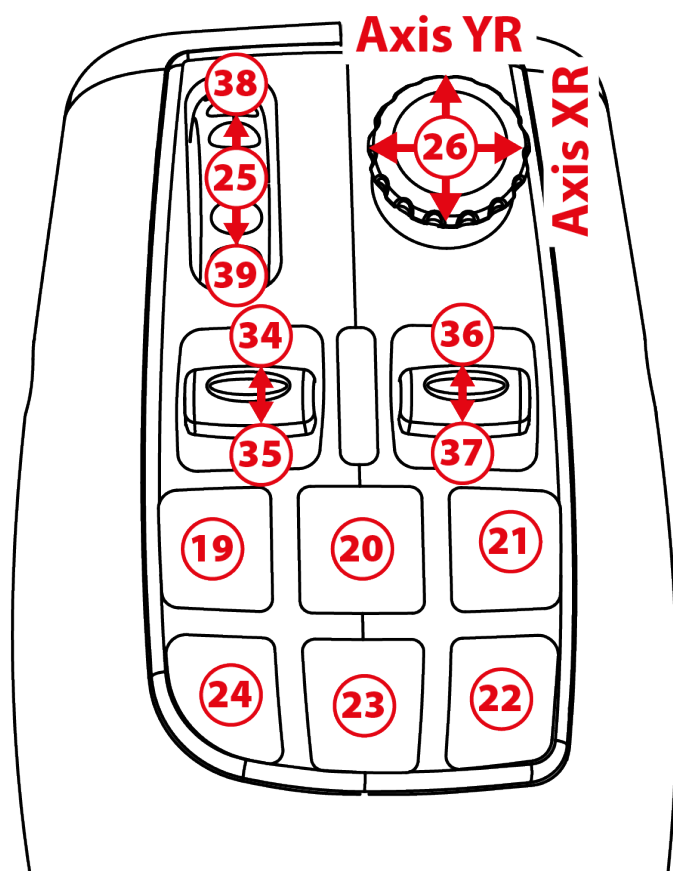
## 8. PC gomb -és tengelykiosztás



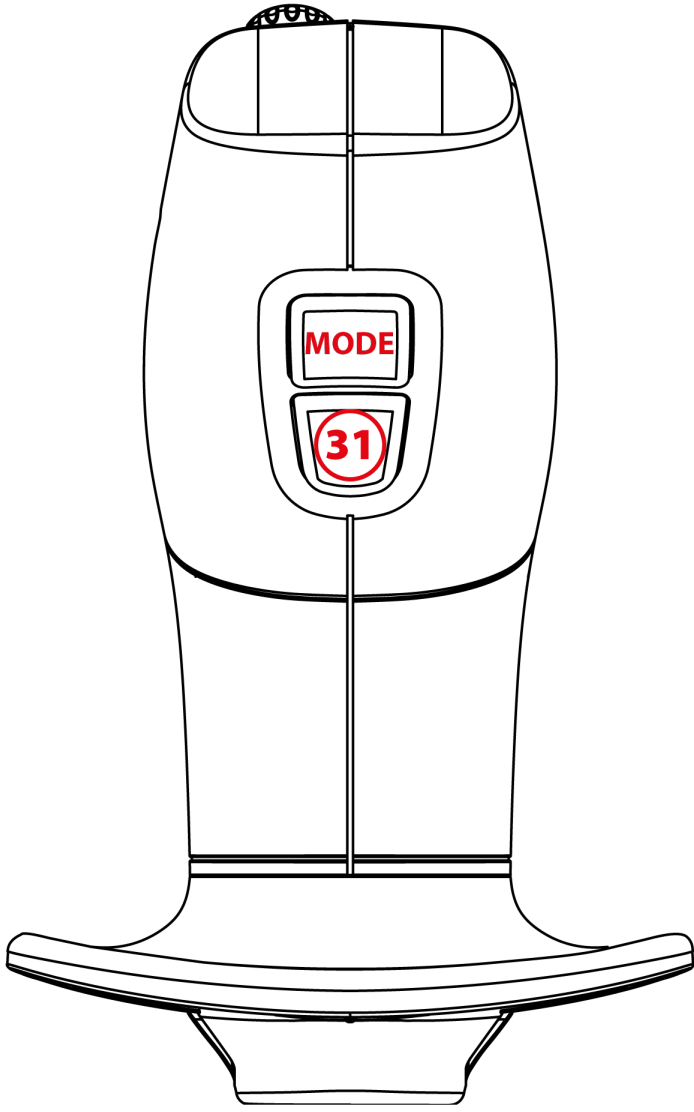
A gombkiosztás azonos a jobb- és a balkezes módban. A jobbkezes (alapértelmezett) vagy a balkezes módot az **alábbi** eljárással vagy a **Vezérlőpulton** lehet kiválasztani. Két joystick egyidejű használatakor ez a mód segít megkülönböztetni őket.



**Vezetési mód**



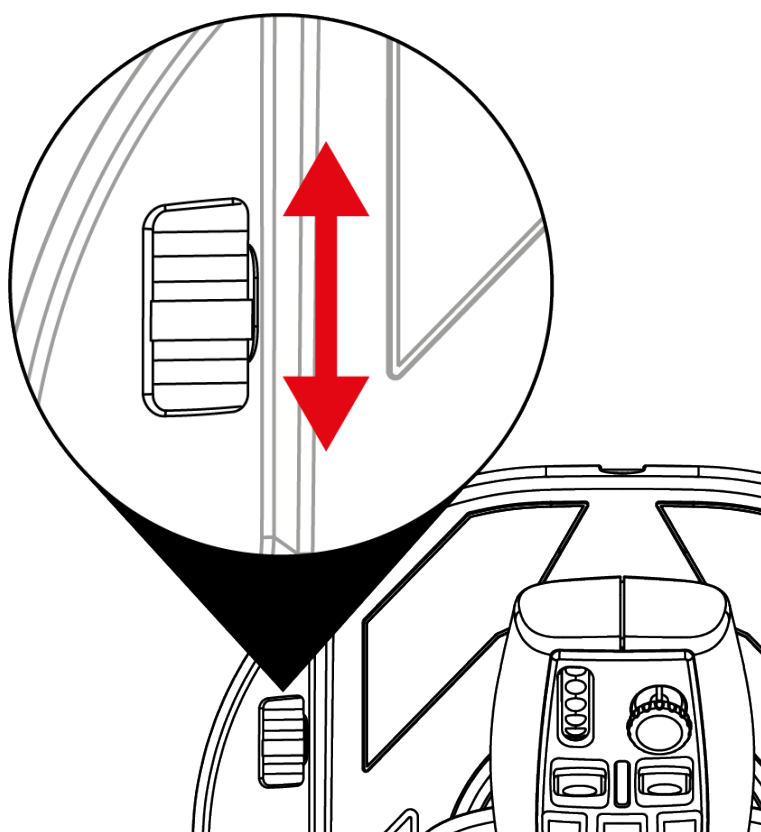
**Munka mód**





## 9. Gázkar

A joystick gázkarral **8** rendelkezik, amellyel könnyedén szabályozhatja a motor fordulatszámát.

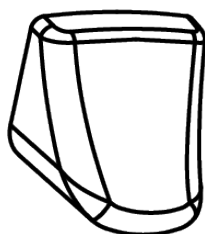




## 10. Cserélhető ravasz

A joystick cserélhető akcióravasszal **16** rendelkezik, amely különböző játékergonómiát biztosít.

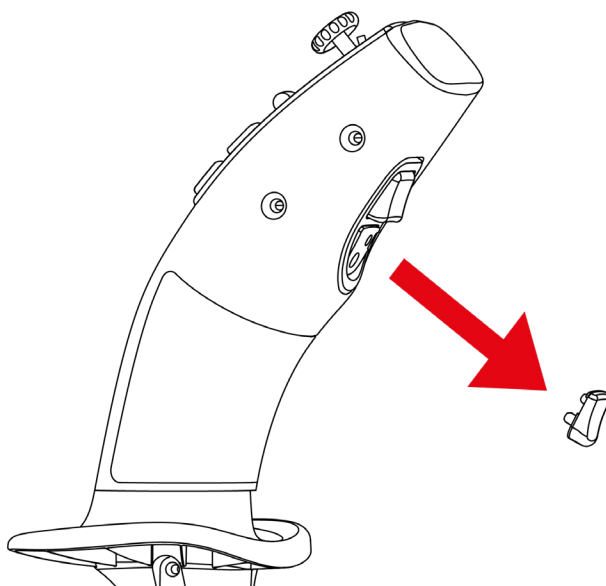
Az alapértelmezés szerint telepített ravasz helyettesíthető egy repülésszimulációra alkalmas ravasszal (a SimTask FarmStick tartalmazza).



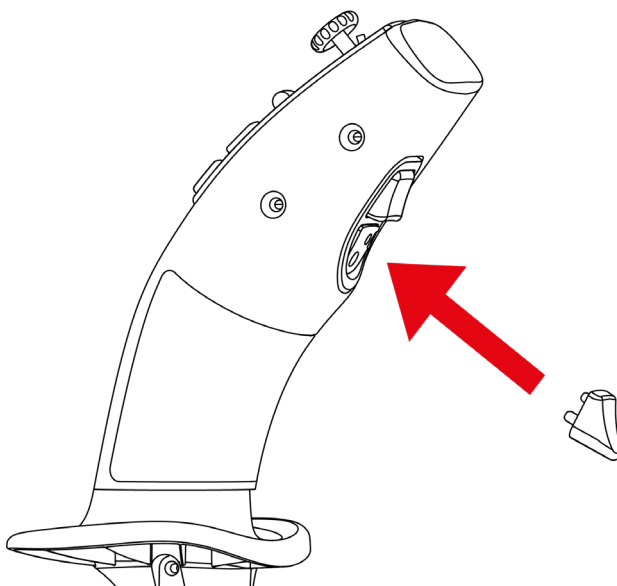


A ravasz cseréjéhez:

1. Helyezze ujjait a ravasz bármelyik oldalára, és óvatosan húzza ki.



2. Helyezze be az új ravaszt a megfelelő rögzítési pozícióba.



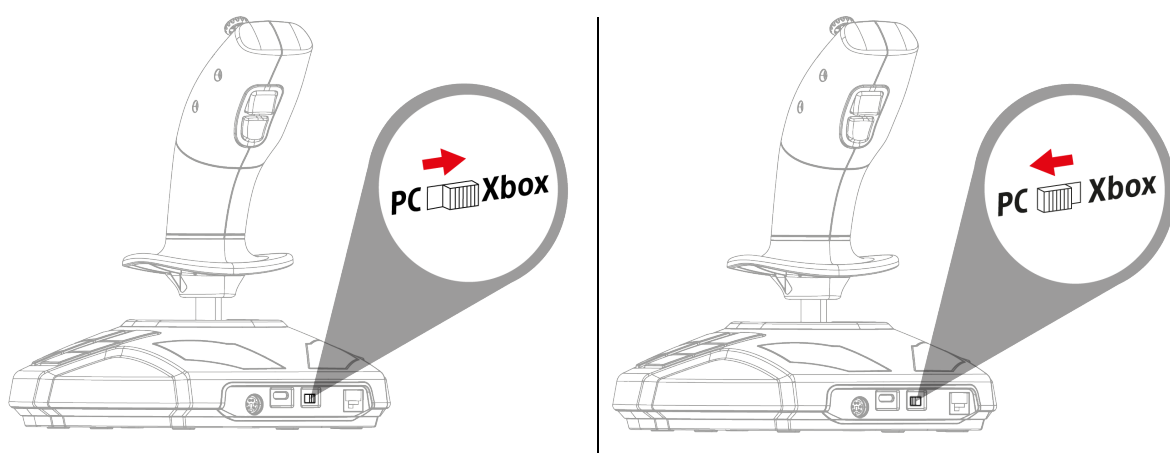
A vezető tűskéknek az irányítókarban elfoglalt helyükre kell illeszkedniük. Ne erőltesse a ravaszt, mert ez a tűskék sérülését okozhatja.



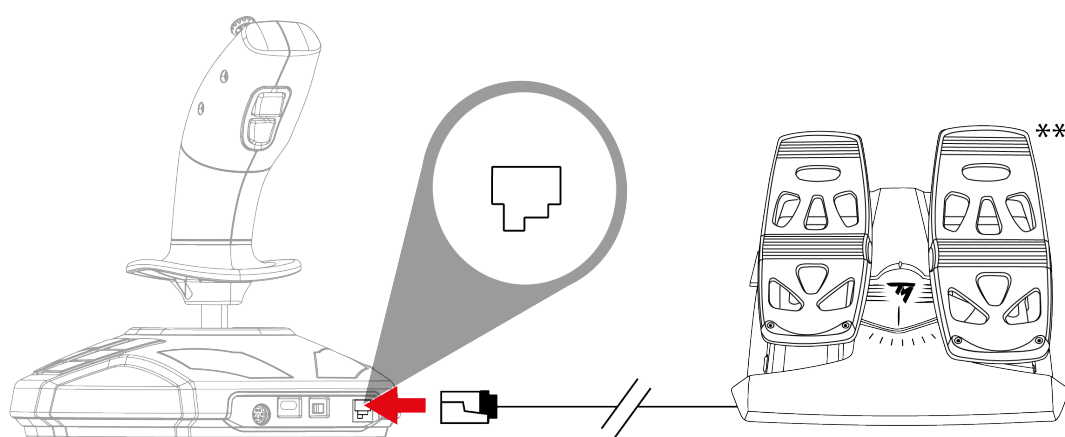
# 11. Telepítés Xbox Series X|S\*-re vagy PC\*-re TFRP oldalkormány\*\*

A TFRP\*\* oldalkormány a SimTask FarmStick-be csatlakoztatható.

1. Állítsa a joystick hátulján lévő kapcsolót **19** Xbox vagy PC állásba.



2. Csatlakoztassa a TFRP oldalkormány\*\* RJ12 kábelét a joystick hátoldalán található RJ12 portba **20**.

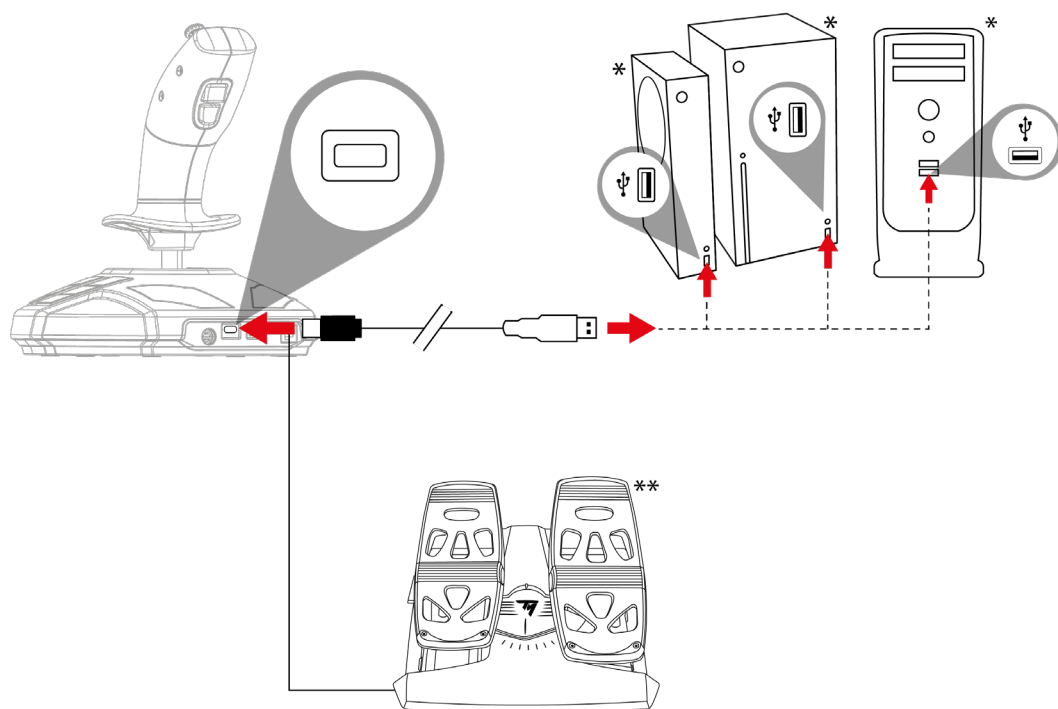


*\*nem tartalmazza / \*\*külön kapható*





3. Csatlakoztassa az USB-C - USB-A kábelt a joystick USB-C portjához **18** és a konzol\* vagy a számítógép\* USB-A portjához.



- A joystick csatlakoztatásakor a kalibrációs problémák elkerülése érdekében a markolatot mindig tartsa a középső helyzetben, ne mozgassa vagy forgassa el.
- Amikor a oldalkormányt a joystickhoz csatlakoztatja: a kalibrációs problémák elkerülése érdekében mindig tartsa az oldalkormány tengelyét a középső helyzetben, és ne tegye a lábát az oldalkormány pedáljaira.

*\*nem tartalmazza / \*\*külön kapható*



## 12.GYIK és technikai támogatás

***A joystickom nem működik megfelelően, vagy nem megfelelően van kalibrálva.***

- Kapcsolja ki a konzolt vagy a számítógépet, és húzza ki a joystickot; majd kapcsolja be újra a konzolt vagy a számítógépet, csatlakoztassa újra a joystickot, és indítsa újra a játékot.
- A joystick csatlakoztatásakor a kalibrációs problémák elkerülése érdekében a markolatot mindig tartsa a középső pozícióban, ne mozgassa vagy forgassa el.
- Amikor az oldalkormányt a joystickhoz csatlakoztatja: a kalibrációs problémák elkerülése érdekében mindig tartsa az oldalkormány tengelyét a középső helyzetben, és ne tegye a lábát az oldalkormány pedáljaira.



## ***Nem tudom konfigurálni a joystickomat.***

- A játék **Beállítások / Kontroller / Gamepad** vagy **Joystick** menüjében: válassza ki a megfelelő konfigurációt, vagy konfigurálja teljesen újra a kontroller beállításait.
- További információkért olvassa el a játék használati útmutatóját vagy használja az online segítséget.



## *A joystickom túl érzékeny vagy nem elég érzékeny.*

- A joystick önállóan bekalibrálja magát, miután néhány mozgást végzett a különböző tengelyek mentén.
- A játék **Beállítások / Kontroller / Gamepad** vagy **Joystick** menüjében: állítsa be a joystick érzékenységét és holtjátékát (ha ezek az opciók elérhetők).

Kérdése van a SimTask FarmStick-kel kapcsolatban, vagy technikai problémái vannak? Ha igen, látogasson el a Thrustmaster műszaki támogatás weboldalára: <https://support.thrustmaster.com/product/simtask-farmstick-x/>.



# **THRUSTMASTER®**



# **SIMTASK FARMSTICK**

**XBOX SERIES X|S – PC**

**מדריך למשתמש**




יש לקרוא בתשומת לב את ההוראות שבמדריך זה לפני התקנת המוצר, לפני השימוש בו ולפני כל פעולת תחזוקה. יש להקפיד לפעול בהתאם להנחיות הבטיחות. אי הקפדה על הנחיות אלו עלולה לגרום לתאונות ו/או לנזק. יש לשמור את המדריך לשימוש חוזר בעתיד.

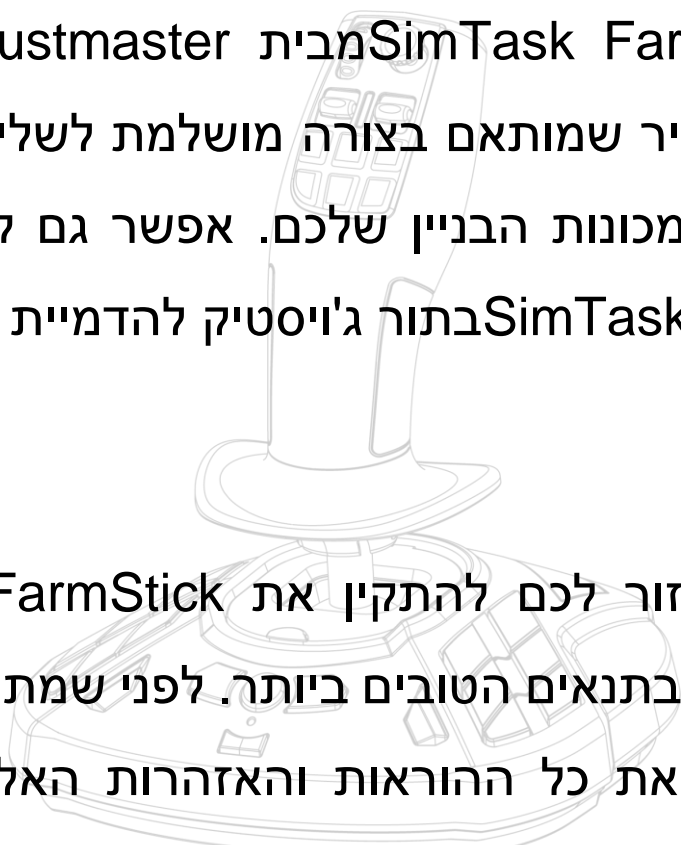
## תוכן העניינים

5	.....	<b>תוכן האריזה</b>	1.
6	.....	<b>תכונות</b>	2.
9	.....	<b>מידע בנוגע לשימוש</b>	3.
12	.....	<b>הכרת הג'ויסטיק</b>	4.
12	.....	<b>מאפיינים עיקריים</b>	
		<b><i>H.E.A.R.T</i> (HallEffect AccuRate)</b>	
13	.....	<b>טכנולוגיית דיוק</b>	
14	.....	<b>מצב נהיגה &lt;&gt; מצב עבודה</b>	
17	.....	<b>ידית מסתובבת</b>	
18	.....	<b>מיני-סטיק "נקודת מבט"</b>	
		<b>חיבוריות של <i>SimTask FarmStick</i> ל-<i>Xbox Series</i></b>	
19	.....	<b><i>*X/S*</i> ול-<i>PC*</i></b>	
21	.....	<b>תצורת ג'ויסטיק ימני ושמאלי</b>	

24.....	<b>התקנה ב-XBOX SERIES X S</b>	<b>5.</b>
26.....	<b>מיפוי XBOX</b>	<b>6.</b>
29.....	<b>התקנה במחשב</b>	<b>7.</b>
31.....	<b>מיפוי PC</b>	<b>8.</b>
34.....	<b>מצערת</b>	<b>9.</b>
35.....	<b>הדק ניתן להחלפה</b>	<b>10.</b>
	<b>התקנה על *XBOX SERIES X S או PC* עם דוושט</b>	<b>11.</b>
37.....	<b>הגה TFRP**</b>	
39.....	<b>שאלות נפוצות ותמיכה טכנית</b>	<b>12.</b>



עם SimTask FarmStick מבית Thrustmaster, אפשר ליהנות ממכשיר שמותאם בצורה מושלמת לשליטה במכונות החקלאיות ובמכונות הבניין שלכם. אפשר גם להשתמש ב-SimTask FarmStick בתור ג'ויסטיק להדמיית טיסה.

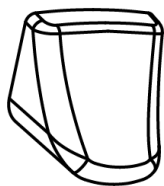
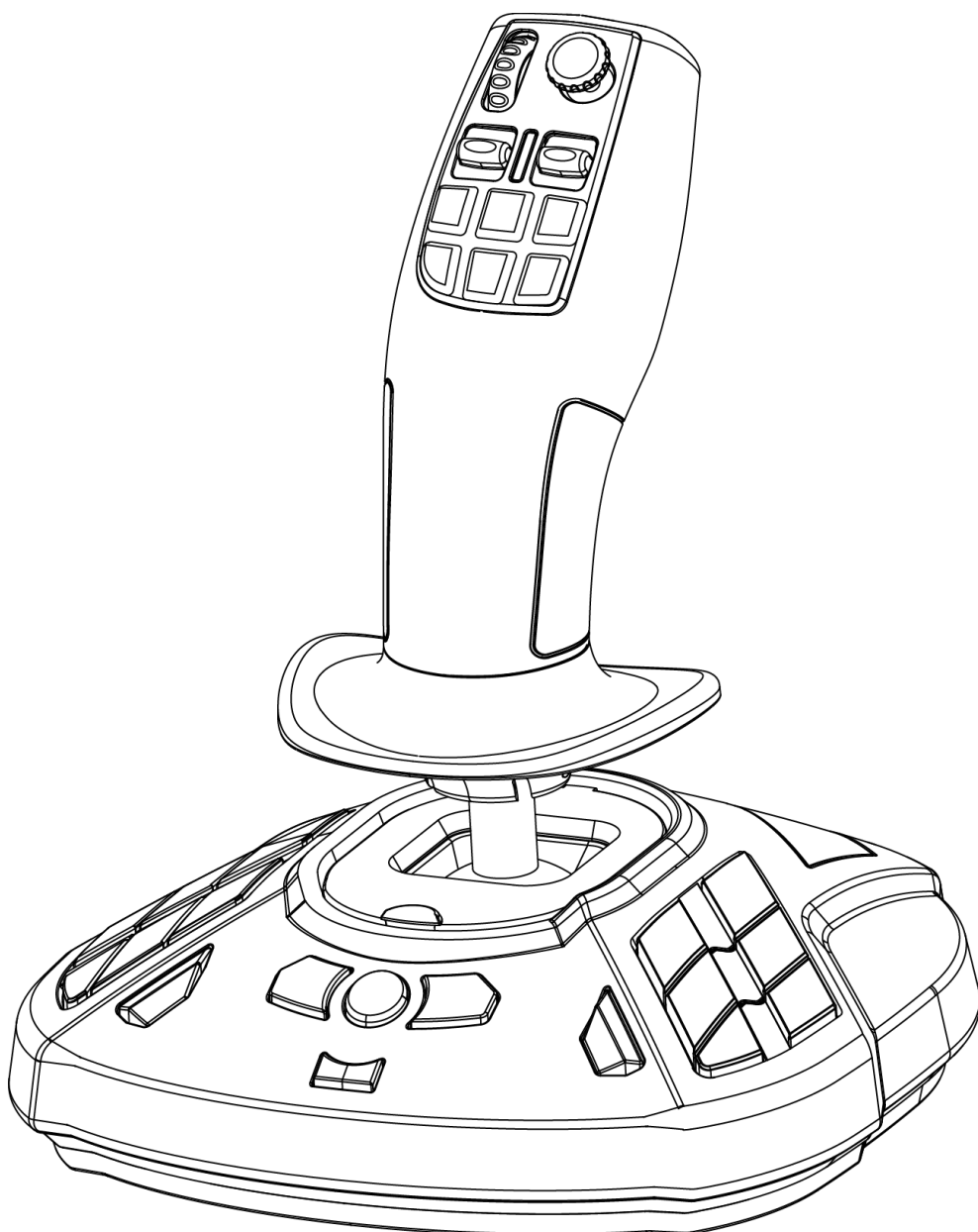


מדריך זה יעזור לכם להתקין את SimTask FarmStick ולהשתמש בו בתנאים הטובים ביותר. לפני שמתחילים, חשוב לקרוא היטב את כל ההוראות והאזהרות האלה: הן יעזרו ליהנות כמה שיותר מהמוצר.



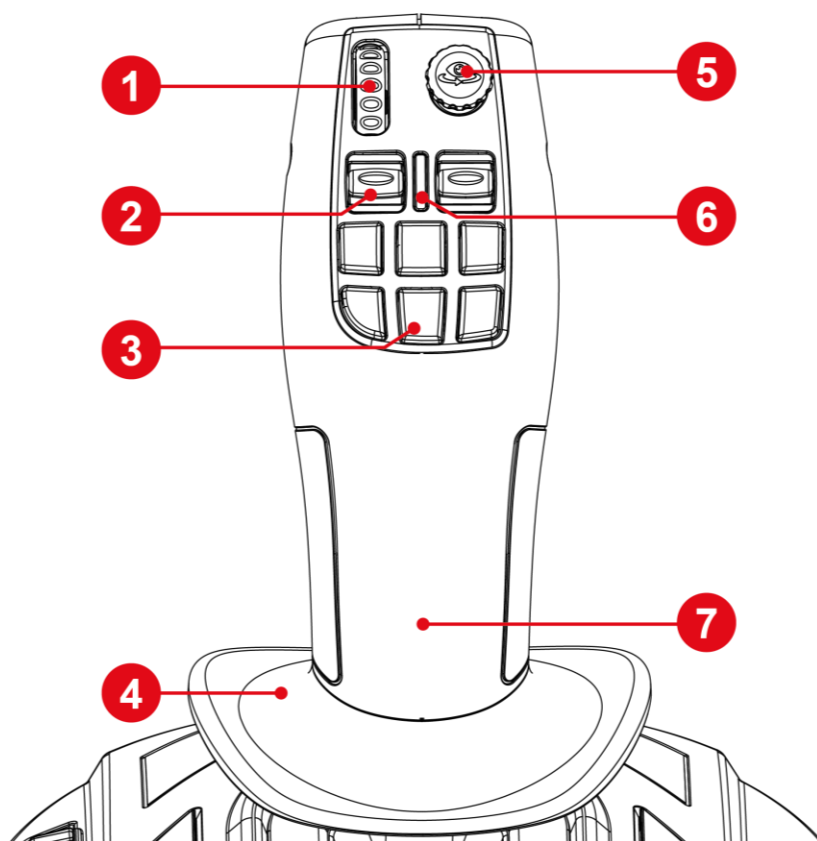


# 1. תוכן האריזה

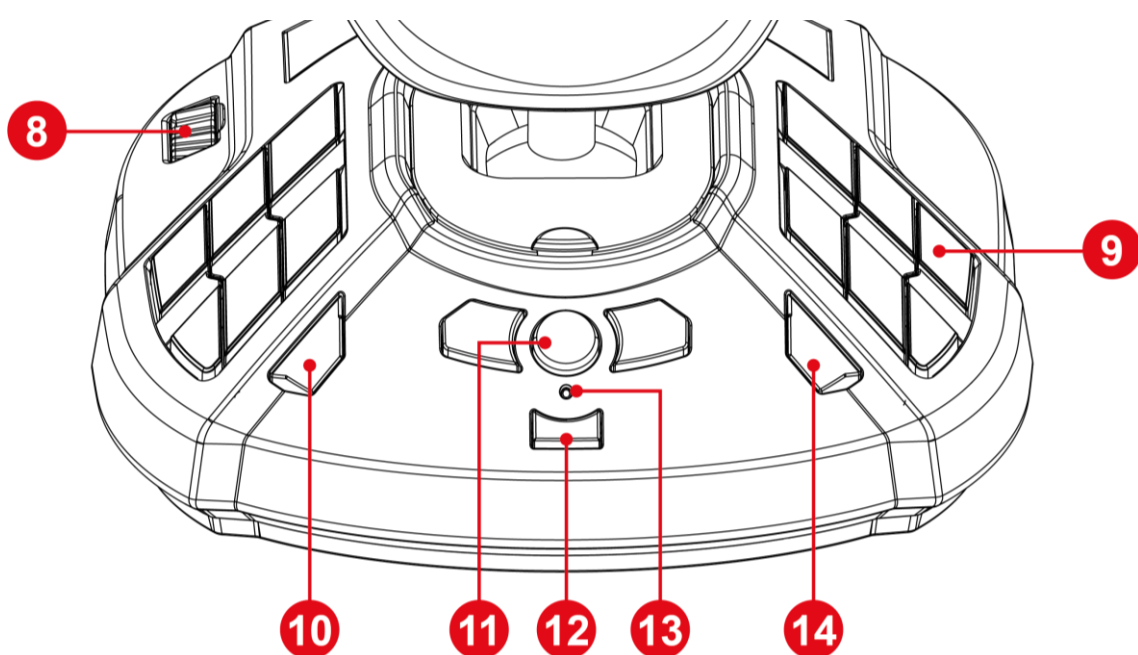




## 2. תכונות



1. כפתור אגודל
2. מתג נדנדה
3. לחצני פעולות מהירות
4. משענת כף יד
5. מיני-סטיק "נקודת מבט"
6. נורית חיווי מצב ג'ויסטיק
7. ידית דו-צדדית



8. מצערת

9. לחצני פעולות ניתנים לתכנות

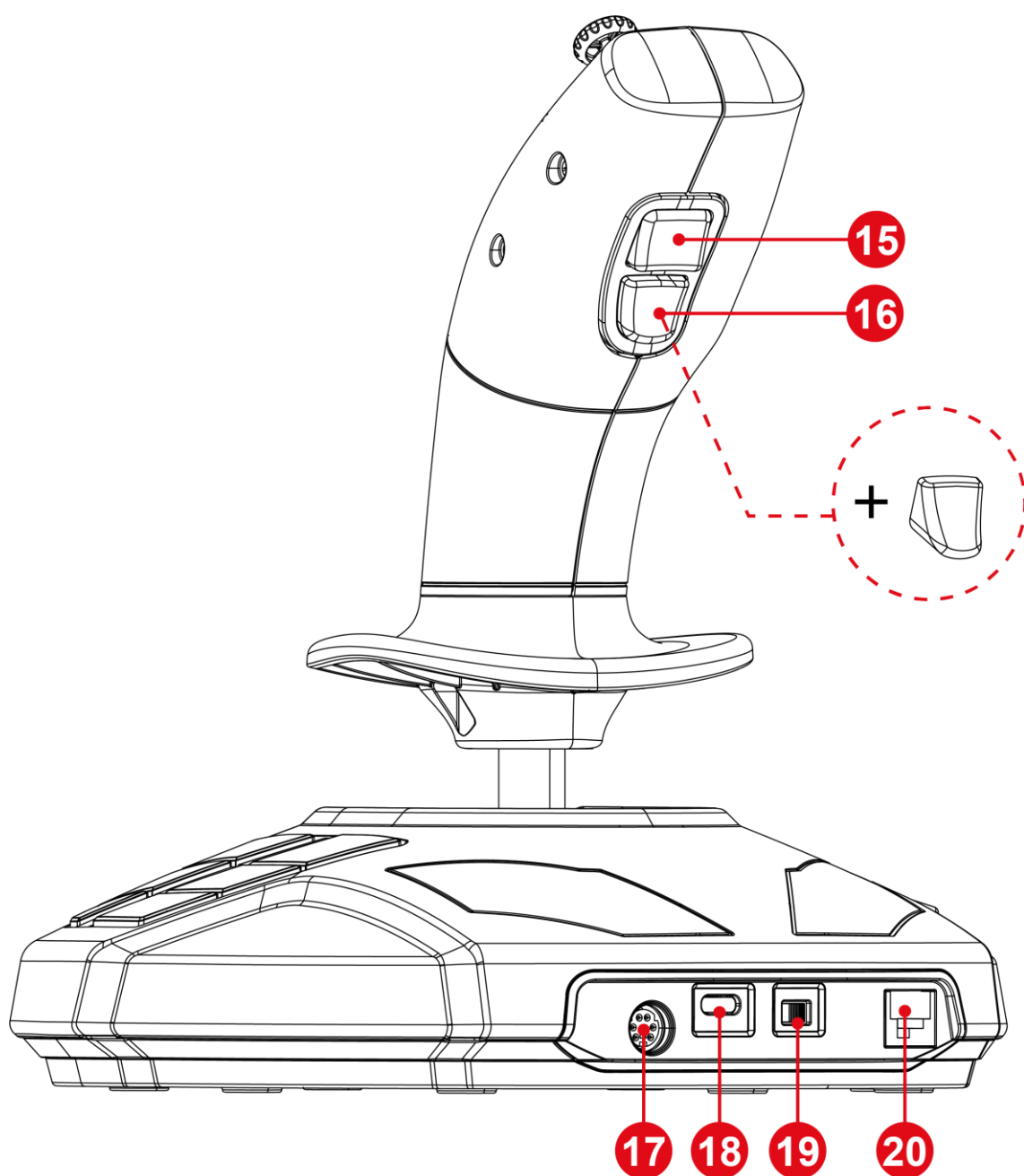
10. לחצן View (תצוגה)

11. לחצן Xbox

12. לחצן Share (שתף).

13. נורית חיווי

14. לחצן Menu (תפריט).



15. לחצן שינוי מצב ג'ויסטיק

16. הדק פעולה ניתן להחלפה

17. יציאת DIN לאביזרים נוספים\*

18. יציאת USB-C

19. בורר Xbox / PC

20. יציאת RJ12 עבור דוושת הגה TFRP\*



### 3. מידע בנוגע לשימוש



#### מסמך

לפני השימוש במוצר, יש לקרוא מסמך זה שוב בתשומת לב, ולשמור אותו לשימוש נוסף בעתיד.



## התחשملות

- יש לשמור את המוצר במקום יבש ולהימנע מחשיפתו לאבק או לאור שמש.
- שימו לב להנחיות החיבור.
- אין לסובב או למשוך את המחברים והכבלים.
- אין לשפוך נוזלים על המוצר או על המחברים שלו.
- אין לגרום לקצר במוצר.
- אסור לפרק את המוצר; אסור לזרוק אותו לאש ואסור לחשוף אותו לטמפרטורות גבוהות.
- אין לפתוח את המכשיר: הוא אינו מכיל חלקים המיועדים לטיפול על ידי המשתמש. כל התיקונים חייבים להתבצע על ידי היצרן, נציג מורשה או טכנאי מוסמך.



### **בטיחות באזור המשחק**

- אין להציב באזור המשחק חפצים שעלולים להפריע לשימוש בהגה, או שעלולים לגרום לתנועות או להפרעות מצד אדם אחר (לדוגמה כוס קפה, טלפון, מפתחות).
- אין לכסות את כבלי החשמל בשטיח, שמיכה או כל כיסוי אחר, ואין למקם כבלים במקומות בהם אנשים עוברים.



## 4. הכרת הג'ויסטיק

### מאפיינים עיקריים

- 33 לחצנים ו-6 לחצנים וירטואליים, כולל גלגל אגודל ושני מתגי נדנדה
- 6 צירים, כולל מיני סטיק, סיבוב ידית הג'ויסטיק ומצערת
- נורית חיווי מצב ג'ויסטיק
- טכנולוגיית H.E.A.R.T. (HallEffect AccuRate )
- חיבור ליציאת USB-A
- מצערת
- יציאת RJ12 עבור דוושת הגה TFRP\*





## *(HallEffect AccuRate) .H.E.A.R.T*

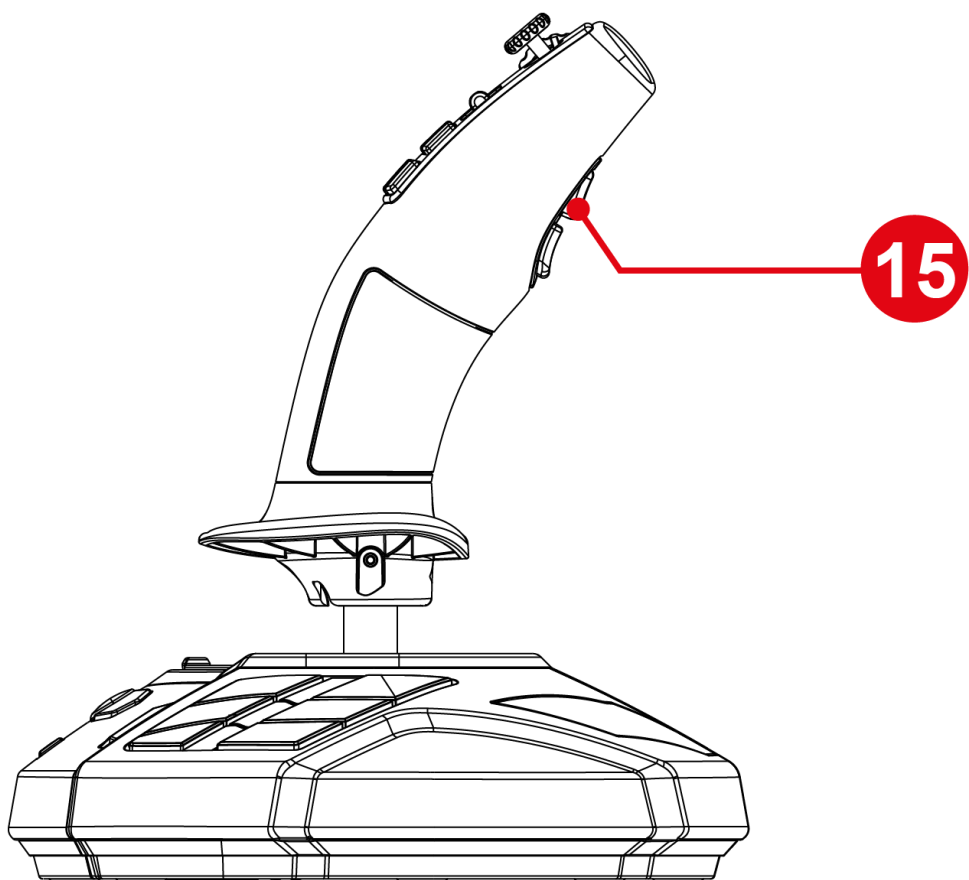
### **טכנולוגיית דיוק**

- מצויד בטכנולוגיה שמספקת לו רמת דיוק SimTask FarmStick שאין לה מתחרים כיום בעולם הג'ויסטיקים למשחקים, בכלל זה:
- חיישנים מגנטיים תלת מימדיים (Hall Effect) על הסטיק, עם רזולוציה של יותר מ-268 מיליון ערכים על פני כל צירי X ו-Y (16,384 על 16,384 ערכים).
  - מגנט: ללא חיכוך, לקבלת דיוק בלתי-מוגבל ויכולת תגובה בלתי רגילה שנמשכת לאורך זמן;
  - קפיץ סלילי בסטיק (2.8 מ"מ): למתח יציב, ליניארי וזורם במיוחד.

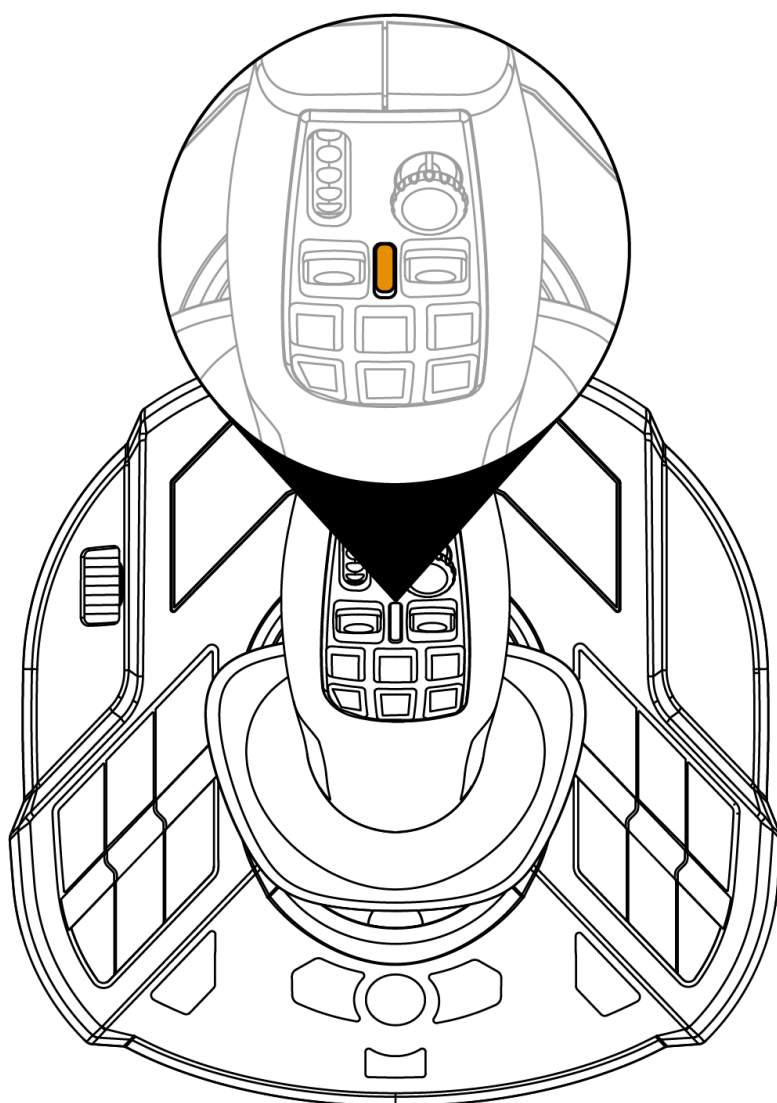


## מצב נהיגה <> מצב עבודה

לחצן 9 מאפשר לעבור ממצב נהיגה למצב עבודה ולהפך.



תכונה זו מרחיבה את מגוון הפעולות שניתן לבצע באמצעות האגודל, כלומר באמצעות כפתור האגודל 1 ושני מתגי הנדנדה 2. שינוי מצב משנה את הפעולה המשויכת לכפתור האגודל 1 ולשני מתגי הנדנדה 2.



### מצב נהיגה (ברירת מחדל)

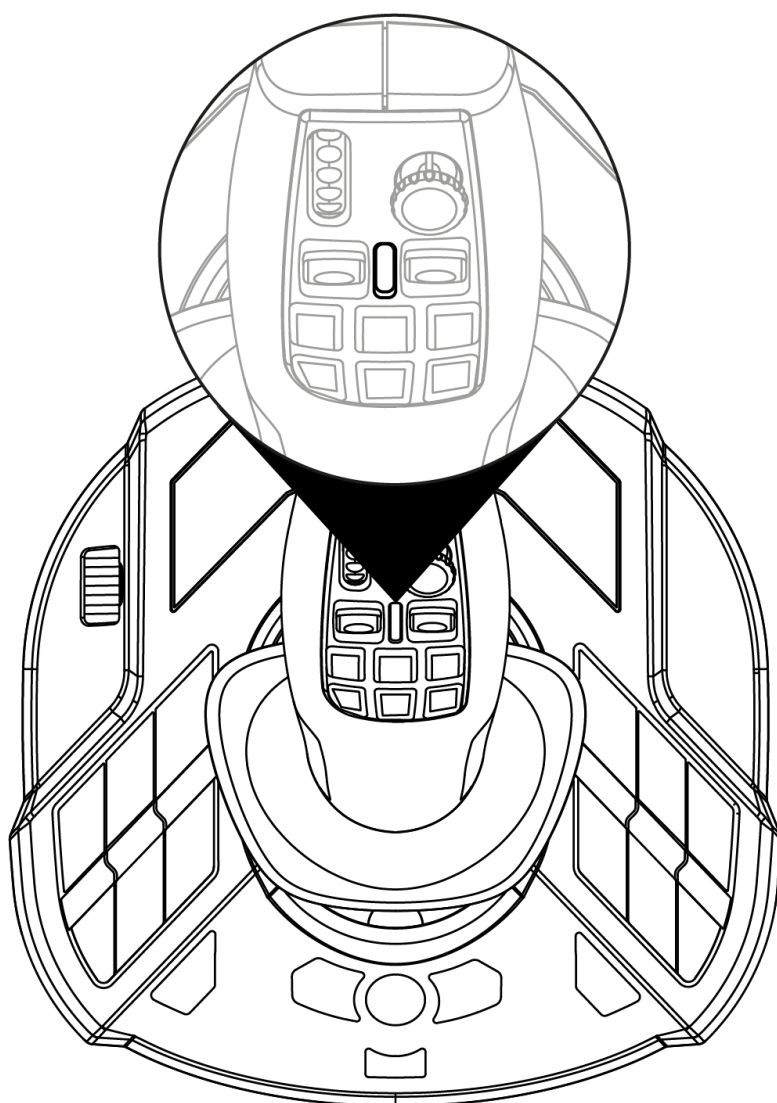
במצב נהיגה, נורית החיווי של מצב סטיק ⑥ נדלקת בכתום.



במצב נהיגה, הפעולה המשויכת לכפתור האגודל ① ולמתגי הנדנדה ② יכולה להיות:

– כפתור אגודל: שליטה בנקודה מוגדרת של המווסת.

– מתגי נדנדה: ניהול תיבת הילוכים.



### מצב עבודה

במצב עבודה, נורית חיווי מצב הסטיק 6 נדלקת בלבן.



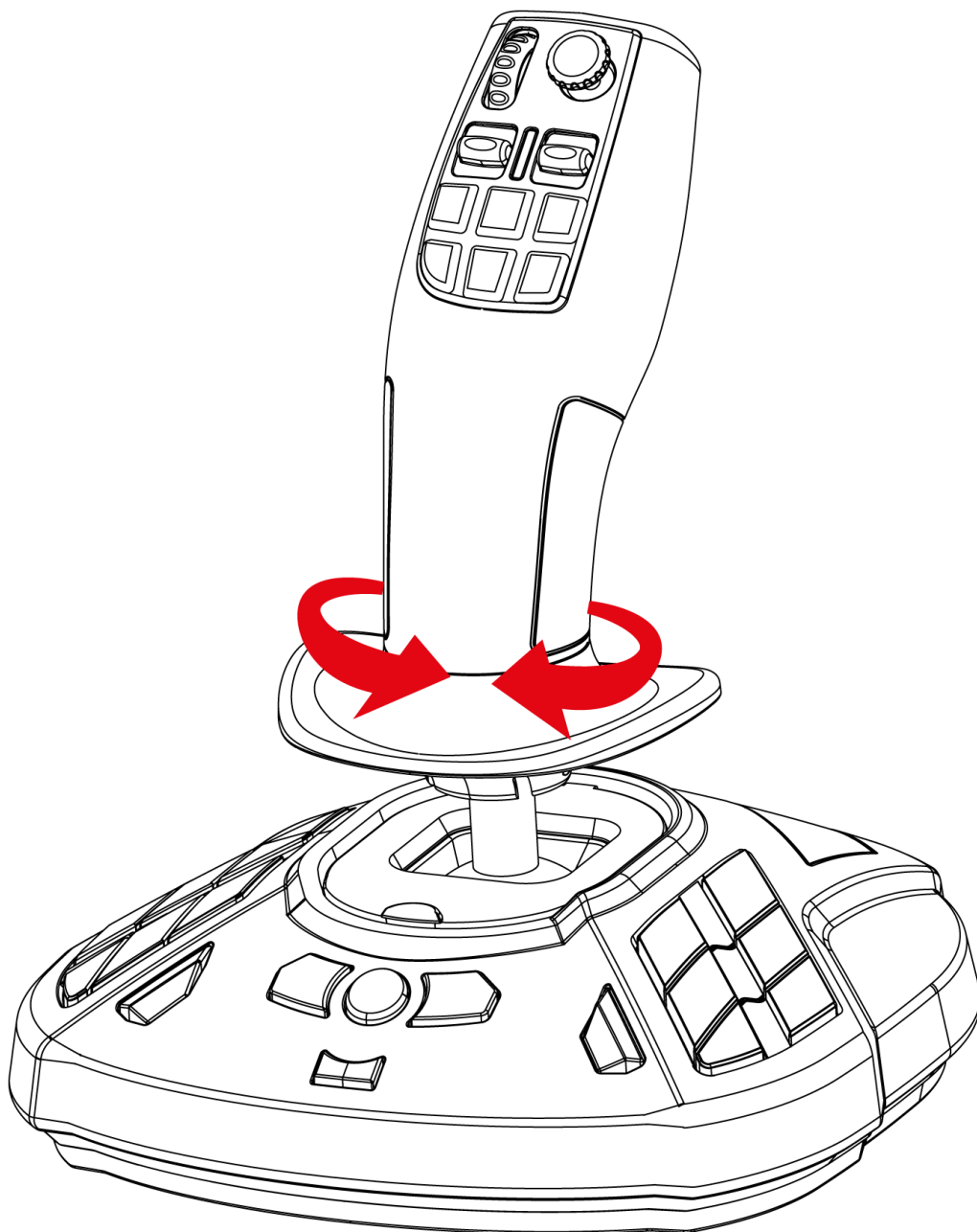
במצב עבודה, הפעולה המשויכת לכפתור האגודל 1 ולמתגי הנדנדה 2 יכולה להיות:

- כפתור אגודל: שליטה בזום המצלמה.
- מתגי נדנדה: שליטה בזרועות מנוף או עגורן.



## ידית מסתובבת

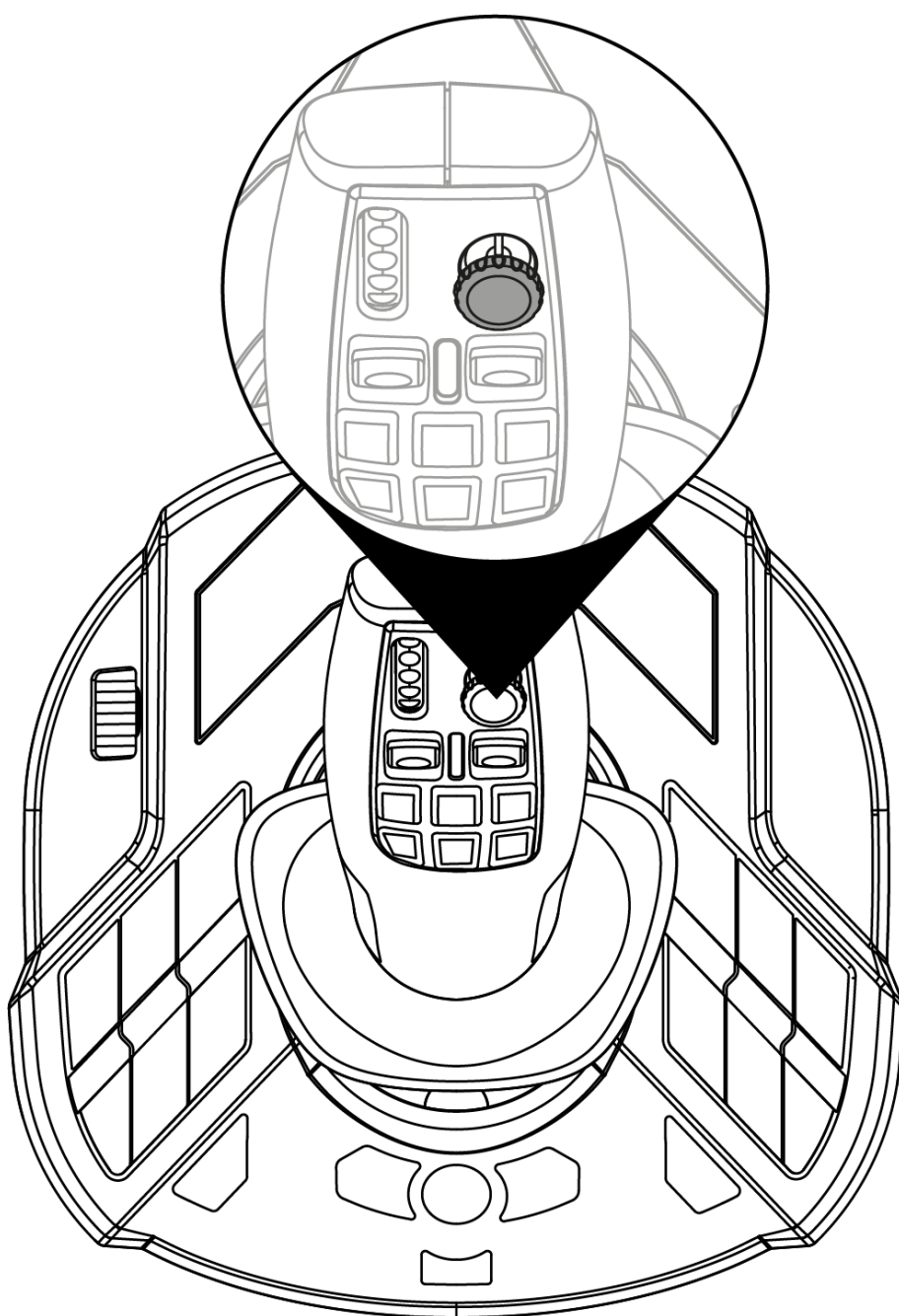
SimTask FarmStick כולל ידית שמסתובבת סביב הציר האופקי שלה. מדובר בתכונה שימושית לתמרון של ראש מנוף או מחפר, למשל.





## מיני-סטיק "נקודת מבט"

ל-SimTask FarmStick יש מיני-סטיק "נקודת מבט" 5 שמאפשר לראות מה נמצא בשדה הראייה של מפעיל המכונה.





## חיבוריות של SimTask FarmStick ל- Xbox

**\*Series X/S\* ול-PC\***

ל-SimTask FarmStick - כולל שישה צירים, אך מציע אפשרות לחיבור דושת הגה TFRP\*\* לחלק האחורי של הג'ויסטיק. זה מספק שני צירים נוספים והיגוי עם TFRP.

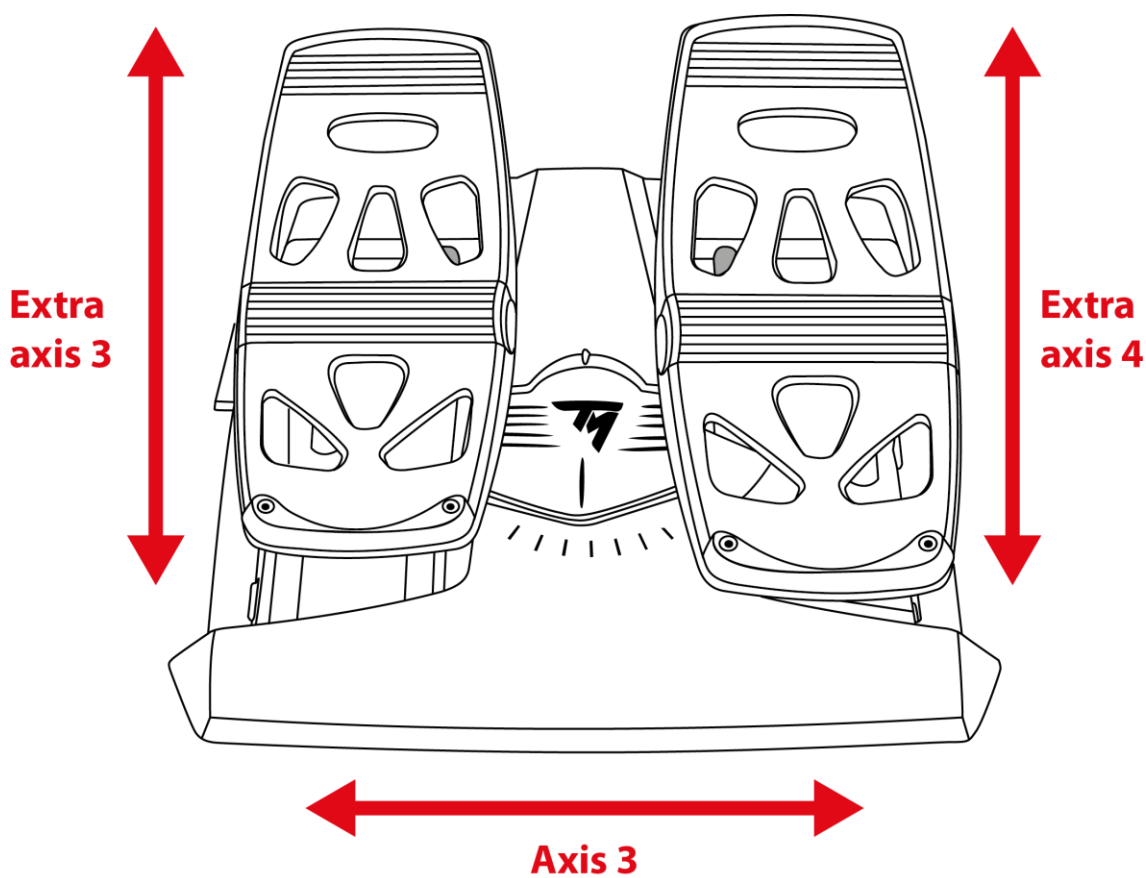


דושת הגה TFRP היא המכשיר היחיד הנתמך ב-Xbox Series X|S ו-PC.

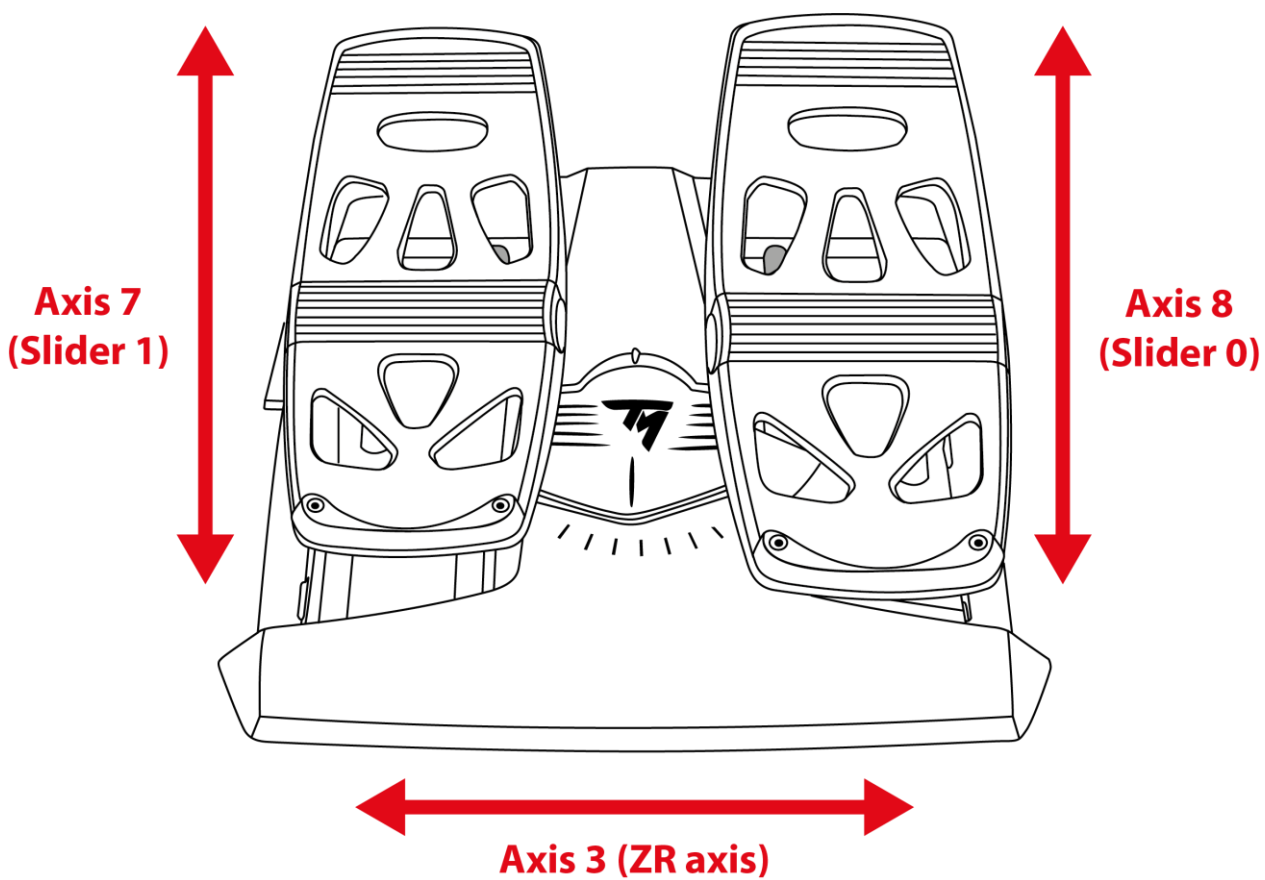
\*לא כלול/ \*\*נמכר בנפרד



מיפוי עבור אסבא:



מיפוי ל-PC:







## **תצורת ג'ויסטיק ימני ושמאלי**

SimTask FarmStick הוא דו-צדדי ומותאם לעבוד בצורה חלקה עבור כל השחקנים, בין אם הם ימניים או שמאליים.

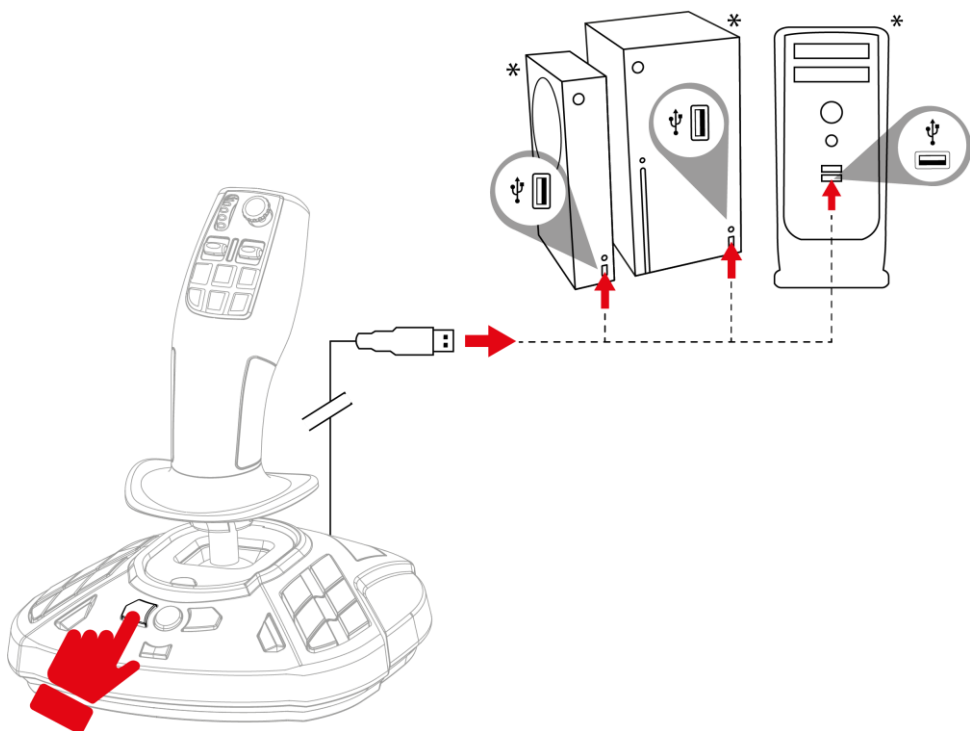
כברירת מחדל, הג'ויסטיק מוגדר למצב ימני.



כדי להגדיר את הג'ויסטיק במצב שמאלי:

1. לחצו והחזיקו את לחצן 14 (PC) או (Xbox Series X|S) Prev בעת חיבור ה-SimTask FarmStick ל-Xbox Series X|S או ל-PC.

נורית החיווי של הג'ויסטיק 6 תהבהב בלבן למשך חמש שניות.



2. שחררו את לחצן 14 (PC-ב) או (Xbox Series X|S) Prev.



מצב יד שמאל נשמר אוטומטית בזיכרון הפנימי של SimTask FarmStick.

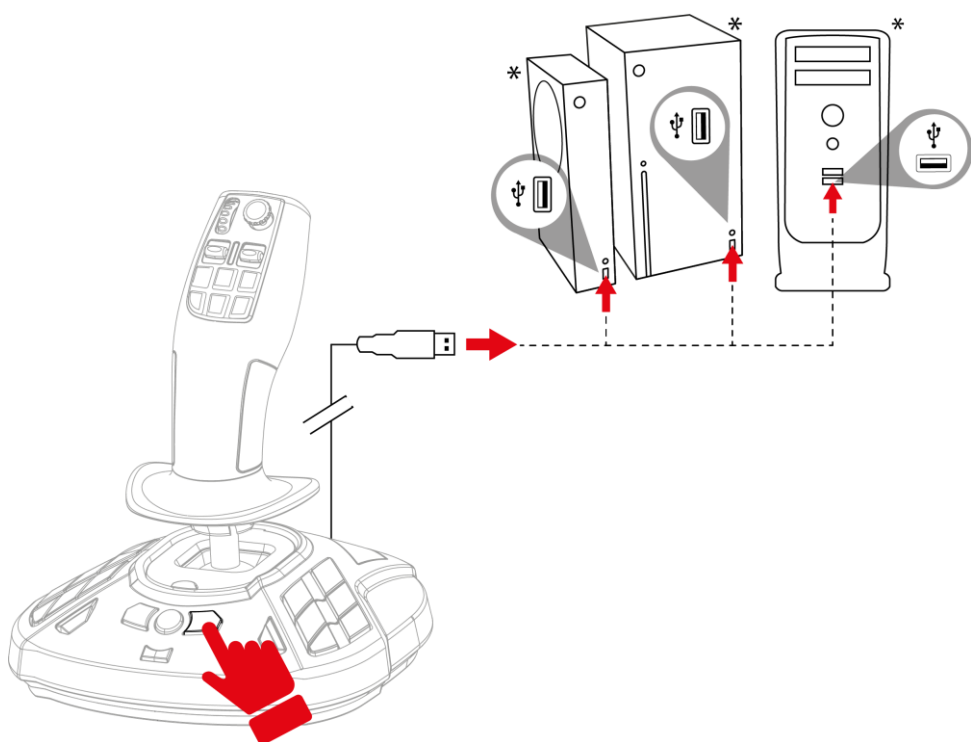
\*לא כלול



כדי לאפס את הג'ויסטיק למצב ימני:

1. לחצו והחזיקו את לחצן 16 (PC) או (Xbox Series X|S-ב) Next בעת חיבור ה-SimTask FarmStick ל-Xbox Series X|S או ל-PC.

נורית חיווי ה-LED 6 תהבהב בכתום למשך חמש שניות.



2. שחררו את לחצן 16 (PC) או (Xbox Series X|S-ב) Next.



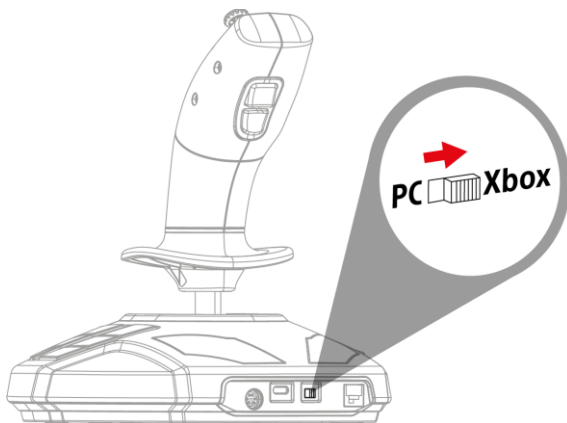
מצב ימני נשמר אוטומטית בזיכרון הפנימי של SimTask FarmStick.

\*לא כלול

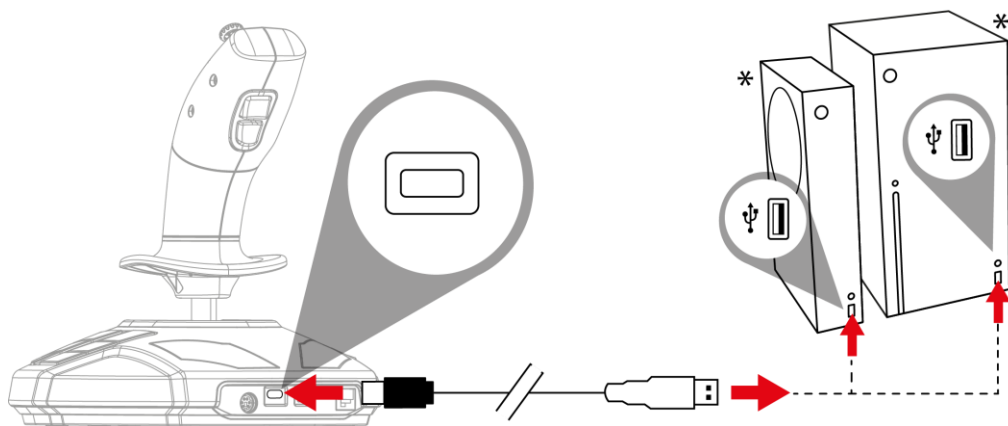


## 5. התקנה ב-Xbox Series X|S

1. הגדירו את המתג 19 בגב הג'ויסטיק למצב Xbox.



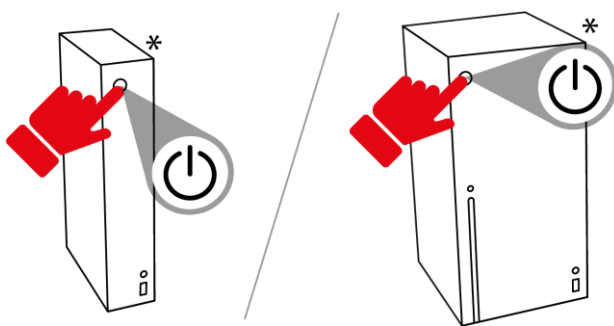
2. חברו את כבל ה-USB-A – USB-C ליציאת ה-USB-C של הג'ויסטיק 18 ולאחת מיציאות ה-USB-A של הקונסולה\*.



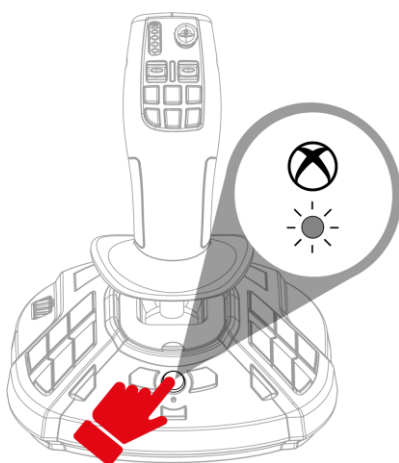
\*לא כלול



3. הפעילו את הקונסולה.



4. לחצו על לחצן Xbox. נורית החיווי של הג'ויסטיק תאיר בלבן.



5. הפעילו משחק תואם.

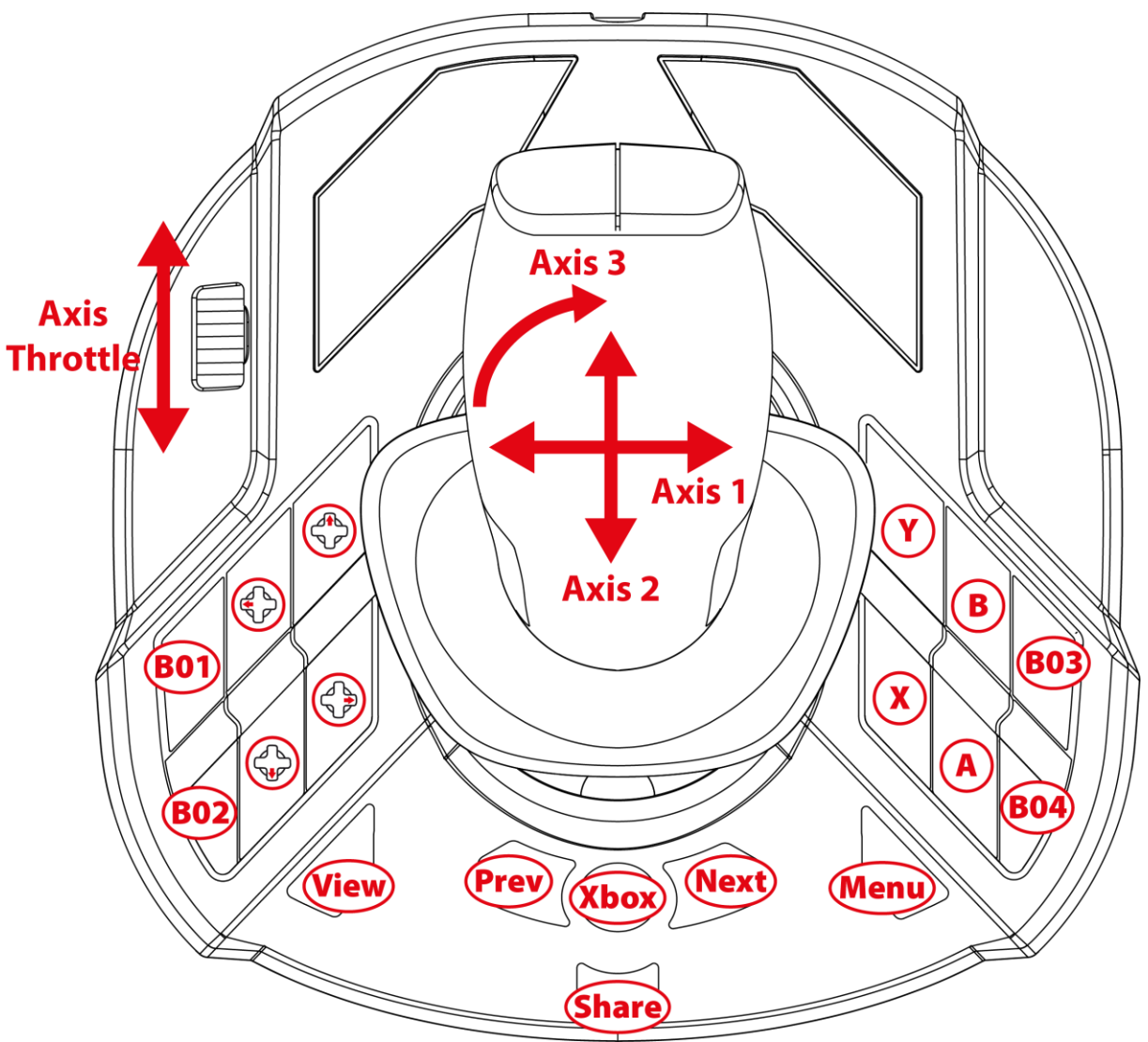
אתם מוכנים להתחיל לשחק!



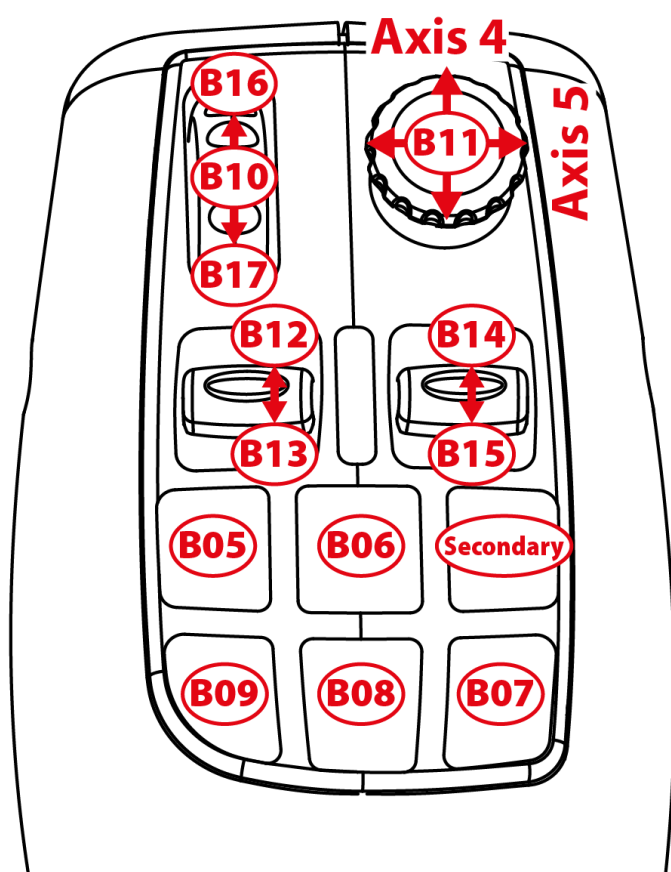
בעת חיבור הג'ויסטיק, יש לשמור תמיד את הידית במקומה המרכזי, ואין להזיז או לסובב אותה. זאת כדי למנוע בעיות כיוול.

\*לא כלול

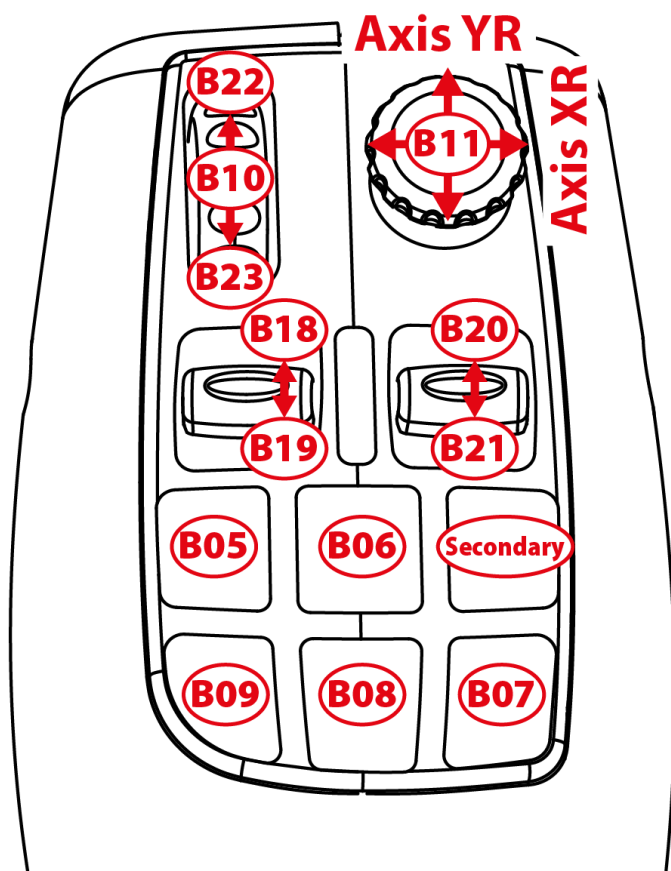
## 6. מיפוי Xbox



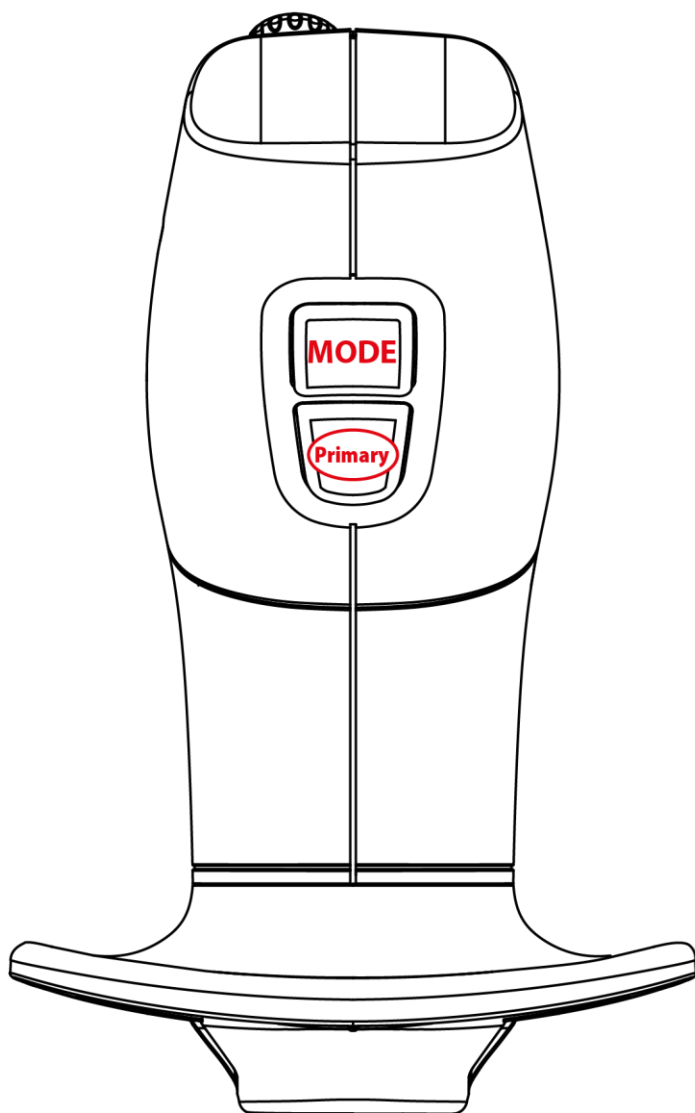
המיפוי הזה במצבי יד ימין ויד שמאל.  
ניתן לבחור במצב ימניים (ברירת מחדל) / שמאליים על ידי ביצוע  
**הליך זה**. בעת השימוש בשני ג'ויסטיקים בו-זמנית, מצב זה עוזר  
להבדיל ביניהם.



מצב נהיגה



מצב עבודה





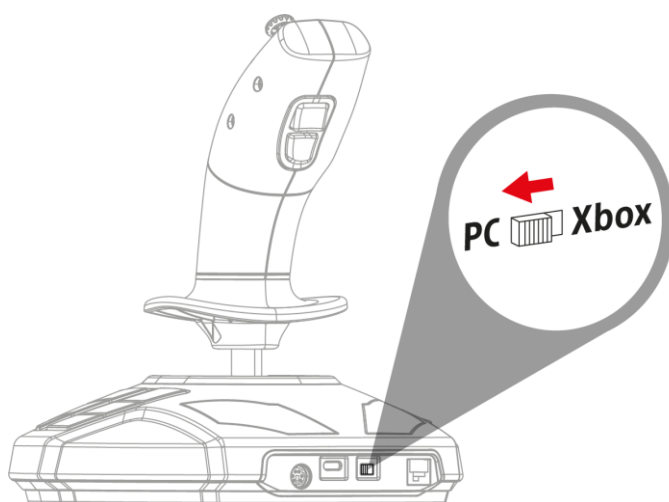
## 7. התקנה במחשב

1. בקרו באתר:

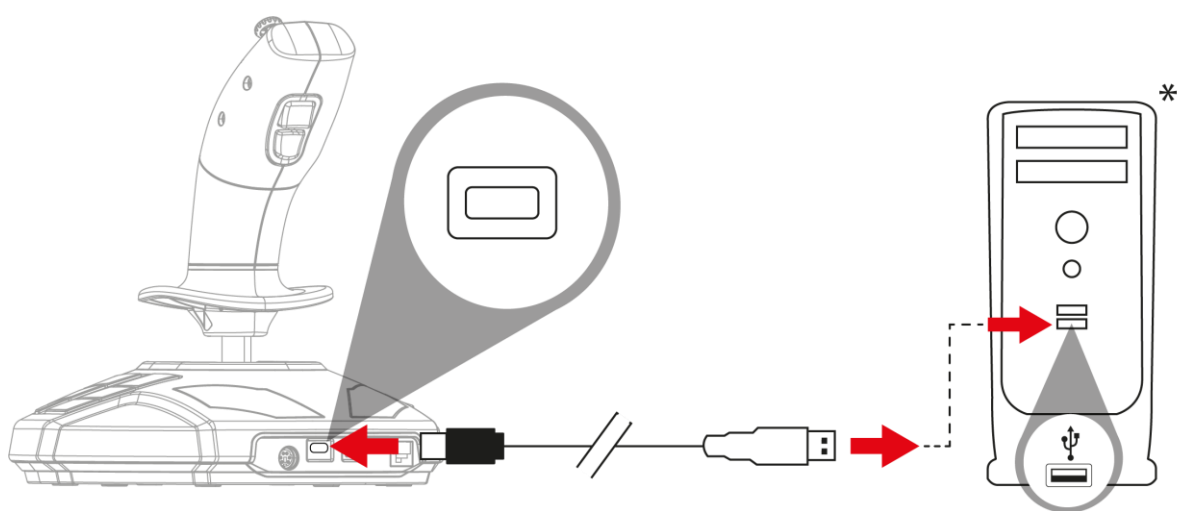
<https://support.thrustmaster.com/product/simtask-farmstick-x/>

2. יש להוריד ולהתקין את מנהל ההתקן ל-PC ואת הממשק המותאם ללוח הבקרה של Windows.

3. לאחר התקנת מנהל ההתקן של המחשב, הגדירו את המתג 19 בגב הג'ויסטיק למצב PC.



4. חברו את כבל ה-USB-A – USB-C ליציאת ה-USB-C של הג'ויסטיק 18 ולאחת מיציאות ה-USB-A של המחשב\*.



\*לא כלול



5. בחרו התחל / הגדרות / לוח הבקרה ולחצו פעמיים על בקרי משחק. בתיבת הדו-שיח בקרי משחקים יופיע שם הג'ויסטיק עם סטטוס OK.

6. בחלון לוח הבקרה, לחצו על מאפיינים כדי לבדוק ולראות את כל התכונות. ניתן גם לבחור במצב יד ימין (ברירת מחדל) או במצב יד שמאל.

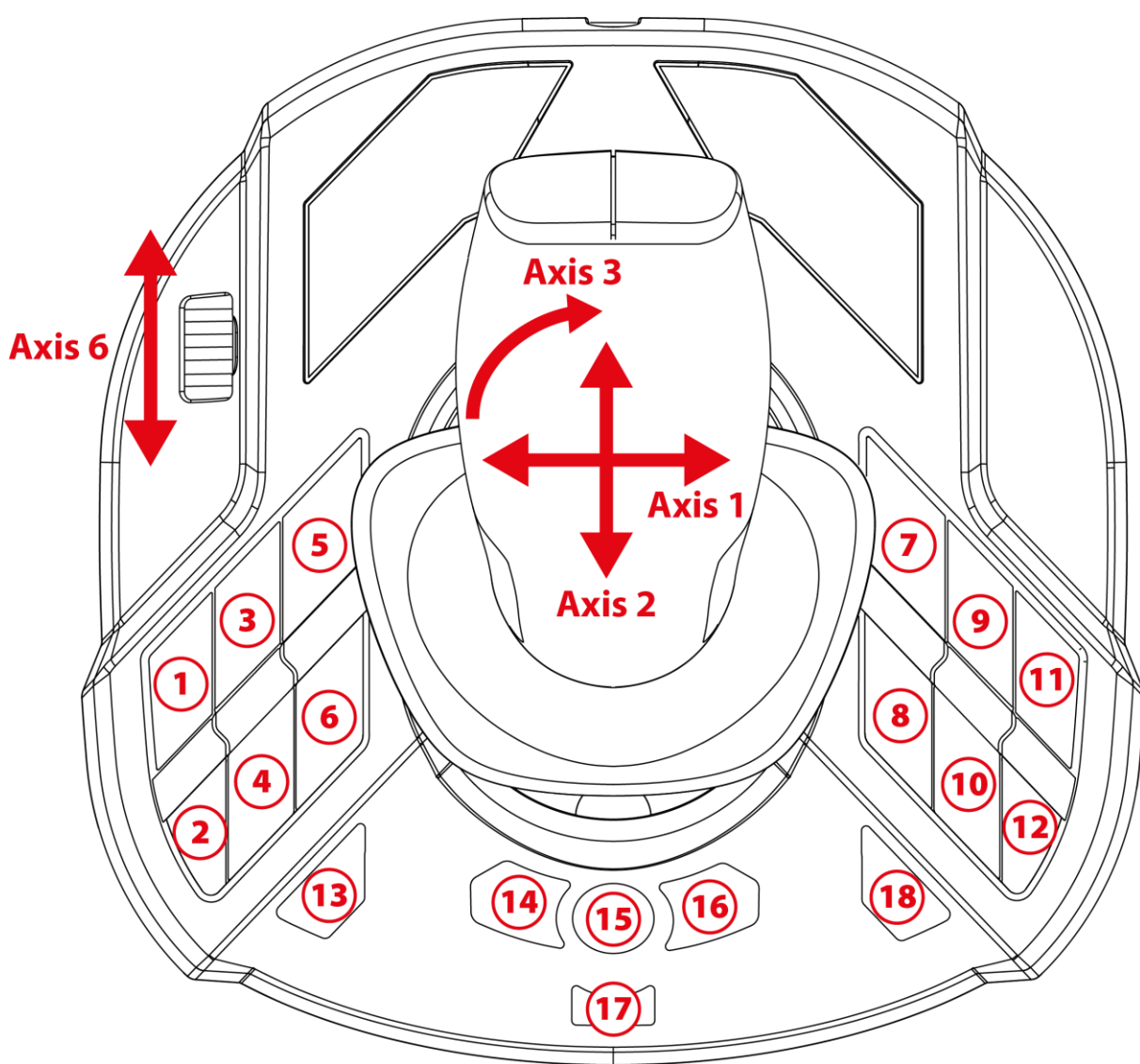
אתם מוכנים להתחיל לשחק!



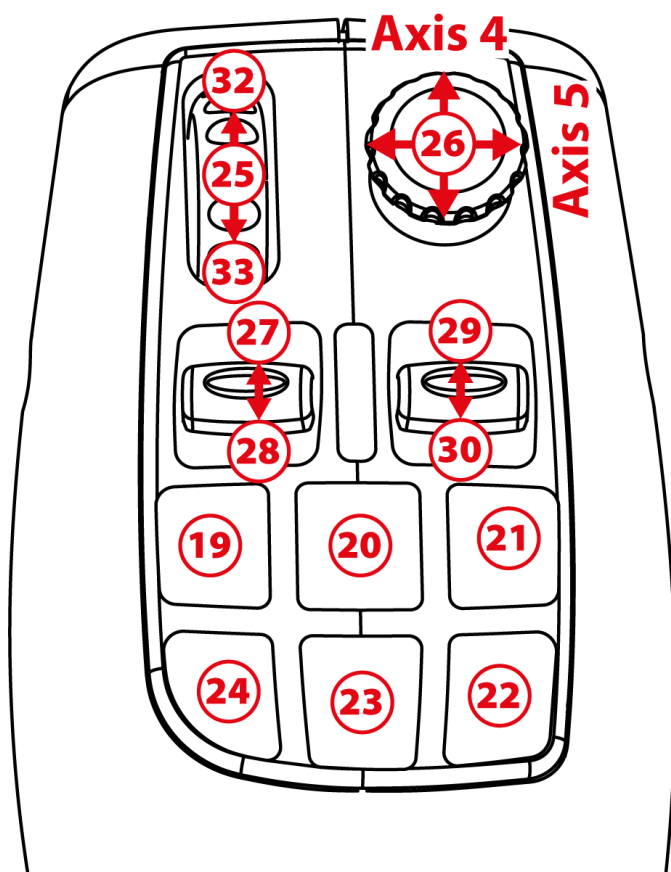
בעת חיבור הג'ויסטיק, יש לשמור תמיד את הידית במקומה המרכזי, ואין להזיז או לסובב אותה. זאת כדי למנוע בעיות כיוול.



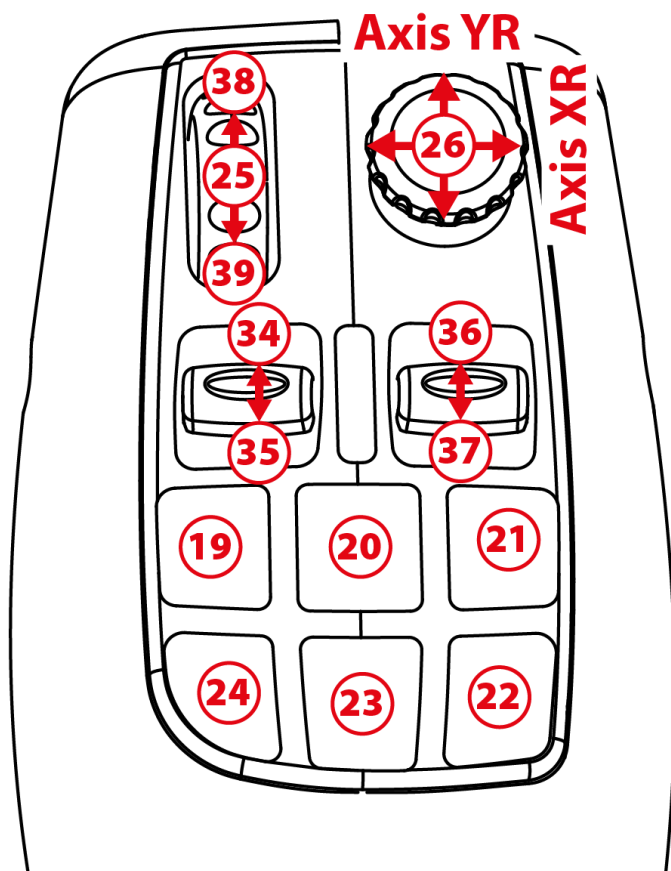
## 8. מיפוי PC



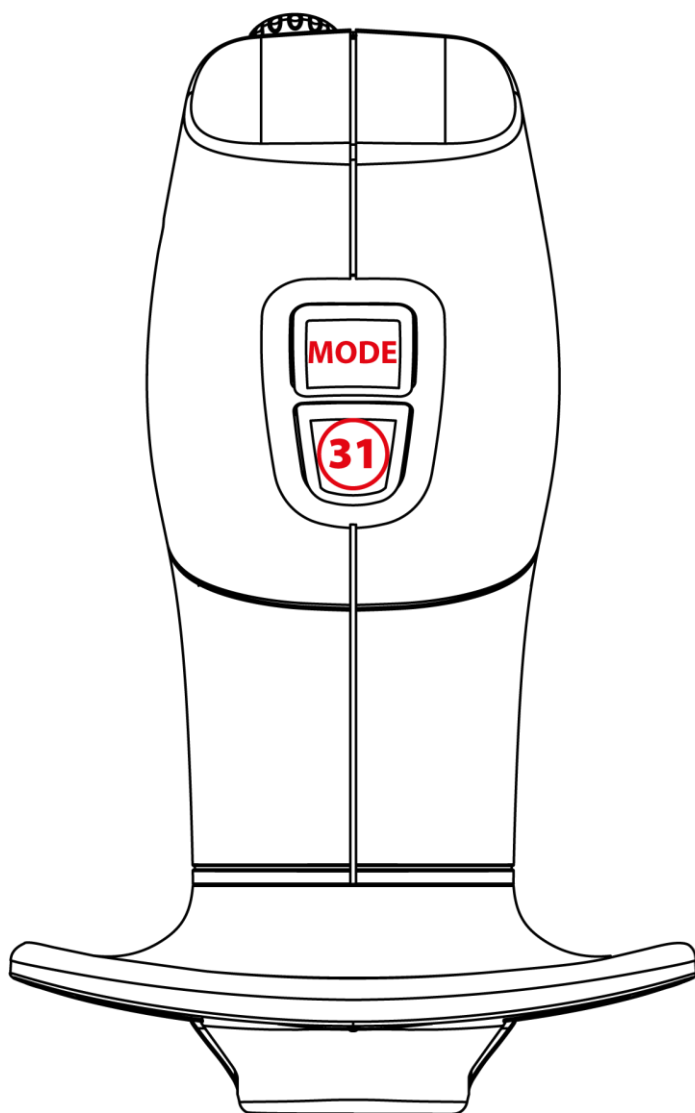
המיפוי זהה במצבי יד ימין ויד שמאל.  
מצב יד ימין (ברירת מחדל) או יד שמאל ניתן לבחירה על ידי ביצוע  
**הליך זה** או **בלוח הבקרה**. בעת השימוש בשני ג'ויסטיקים בו-  
זמנית, מצב זה עוזר להבדיל ביניהם.



מצב נהיגה



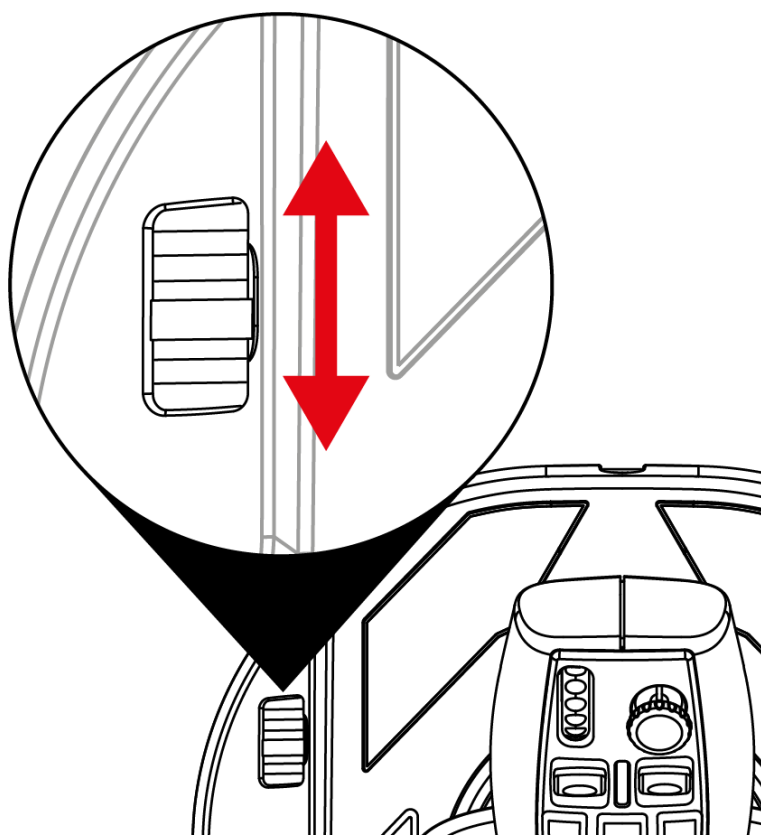
מצב עבודה





## 9. מצערת

הג'ויסטיק כולל מצערת 8 המאפשרת לשלוט בקלות במהירות המנוע.

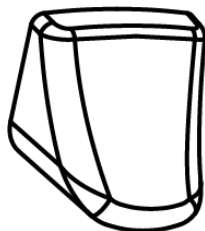




## 10. הדק ניתן להחלפה

לג'ויסטיק שלכם יש הדק פעולה ניתן להחלפה **16** המעניק ארגונומיה שונה למשחקים.

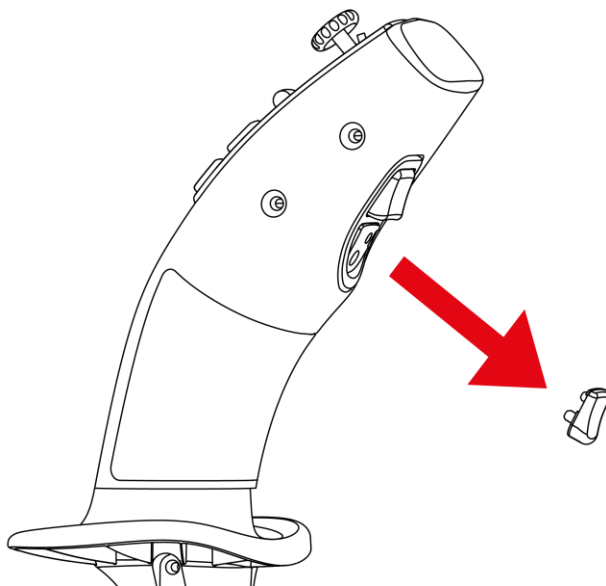
ניתן להחליף את ההדק המותקן כברירת מחדל בהדק המתאים להדמיית טיסה (כלול ב-SimTask FarmStick).



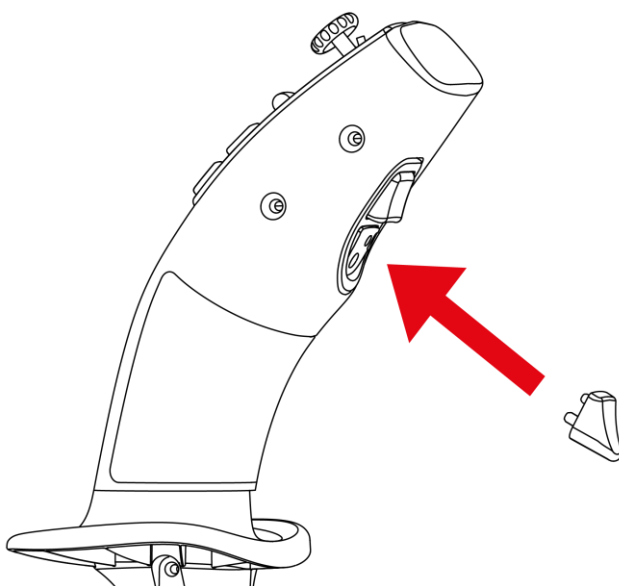


כדי לשנות את ההדק:

1. מקמו את האצבעות משני צידי ההדק ומשכו אותו בעדינות.



2. הכניסו את ההדק החדש למיקום ההרכבה המתאים.



פיני המרכז חייבים להיכנס למקומם בג'ויסטיק. אין להכניס את ההדק בכוח פנימה, מכיוון שהדבר עלול לגרום נזק לפינים.



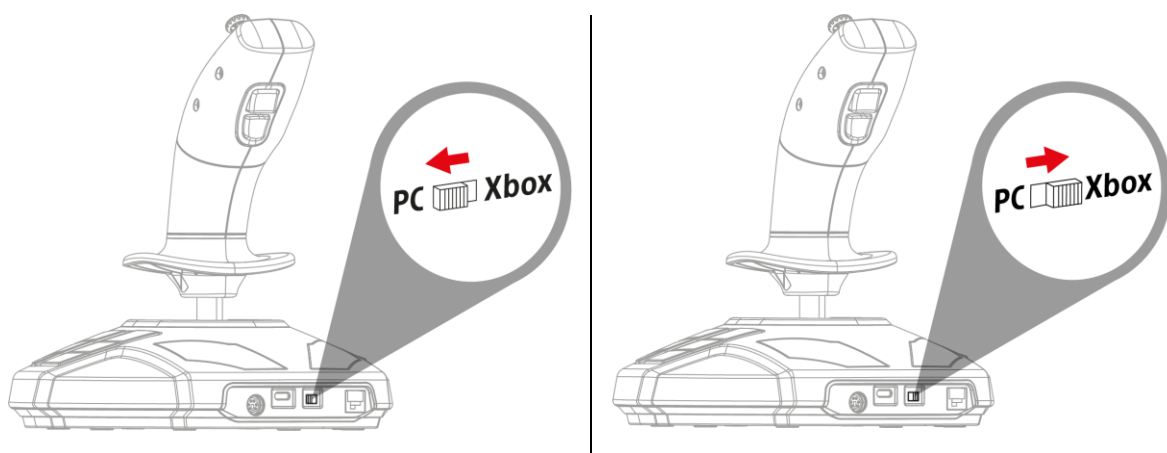


# 11. התקנה על Xbox Series X|S\* או

## PC\* עם דושת הגה \*\*TFRP

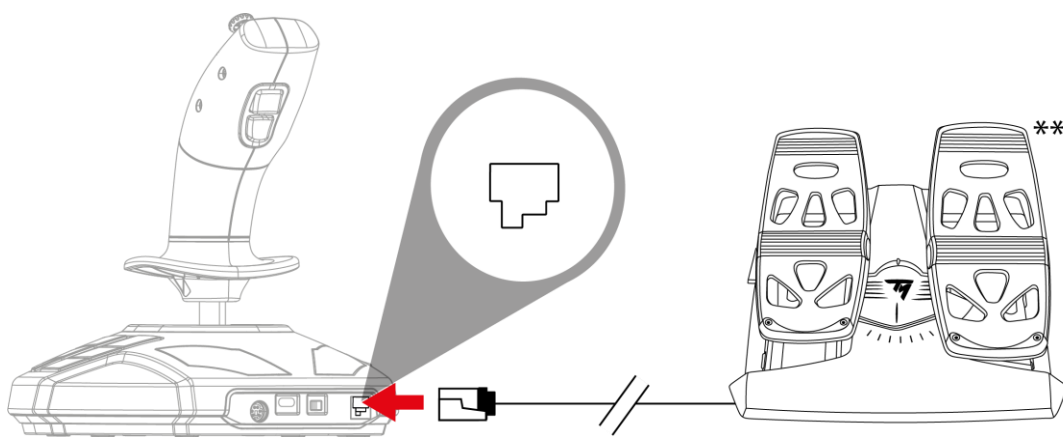
דושת הגה \*\*TFRP מתחברת ל-SimTask FarmStick.

1. כווננו את המתג 19 בגב הג'ויסטיק למצב Xbox או למצב PC.



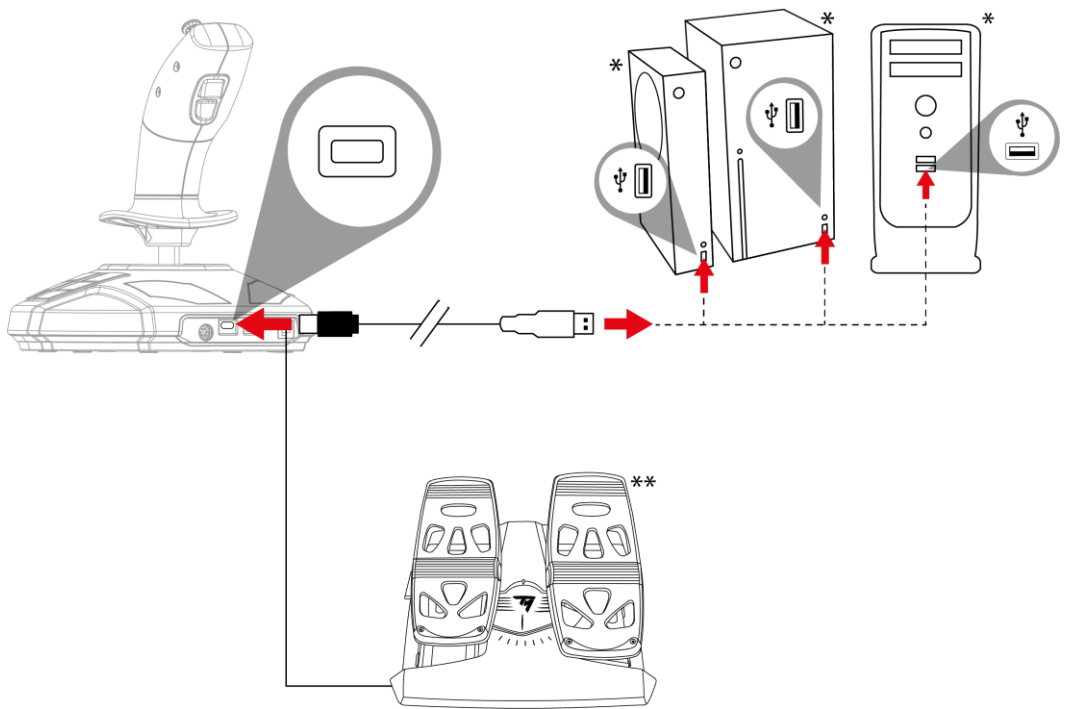
2. חברו את כבל ה-RJ12 של דושת הגה \*\*TFRP ליציאת ה-RJ12.

20 בגב הג'ויסטיק.



\*לא כלול/ \*\*נמכר בנפרד

3. חברו את כבל ה-USB-A – USB-C ליציאת ה-USB-C של הג'ויסטיק 18 וליציאת ה-USB-A של הקונסולה\* או ה-PC\*.



– בעת חיבור הג'ויסטיק, יש לשמור תמיד את הידית במקומה המרכזי, ואין להזיז או לסובב אותה. זאת כדי למנוע בעיות כיוול.

– בעת חיבור הדוושה לג'ויסטיק: שמרו תמיד על ציר הדוושה במצב מרכזי ואל תניחו את רגליכם על הדוושות כדי להימנע מבעיות כיוול.

\*לא כלול/ \*\*נמכר בנפרד



## 12. שאלות נפוצות ותמיכה טכנית

### הג'ויסטיק לא פועל היטב, או נראה שאינו מכויל

#### נכון.

– יש לכבות את המחשב ולנתק את הג'ויסטיק. לאחר מכן, יש להפעיל שוב את המחשב, לחבר חזרה את הג'ויסטיק ולהפעיל מחדש את המשחק.

– בעת חיבור הג'ויסטיק: יש לשמור תמיד את הידית במקומה המרכזי, ואין להזיז או לסובב אותה, זאת כדי למנוע בעיות כיוול.

– בעת חיבור הדוושה לג'ויסטיק: שמרו תמיד על ציר הדוושה במצב מרכזי ואל תניחו את רגליכם על הדוושות כדי להימנע מבעיות כיוול.



## **לא הצלחתי להגדיר את הג'ויסטיק.**

- בתפריט אפשרויות / בקר / ידית משחק או מוט היגוי של המשחק: בחרו את התצורה המתאימה, או הגדירו מחדש לגמרי את אפשרויות הבקר.
- אנא עיינו במדריך המשתמש של המשחק או בעזרה המקוונת למידע נוסף.



## הג'ויסטיק רגיש מדי, או לא מספיק רגיש.

– הג'ויסטיק מכויל באופן עצמאי לאחר שביצעת כמה תנועות לאורך הצירים השונים.

– -בתפריט אפשרויות / בקר / ידית משחק או ג'ויסטיק של המשחק: כוון את הרגישות ואת האזורים המתים של הג'ויסטיק (אם אפשרויות אלו זמינות).

יש לכם שאלות לגבי SimTask FarmStick או שנתקלתם בבעיות טכניות? אם כן, בקרו באתר התמיכה הטכנית Thrustmaster:

<https://support.thrustmaster.com/product/simtask-farmstick-x/>



# THRUSTMASTER®



# SIMTASK FARMSTICK

الكمبيوتر – XBOX SERIES X|S

دليل المستخدم




اقرأ التعليمات الواردة في هذا الدليل قراءة متأنية، وذلك قبل تركيب المنتج، وقبل أي استعمال له، وقبل إجراء أي صيانة له. تأكد من اتباع تعليمات السلامة. قد يؤدي عدم اتباع هذه التعليمات إلى وقوع حوادث و/أو أضرار. احتفظ بهذا الدليل لكي تتمكن من الرجوع إلى التعليمات في المستقبل.

## جدول المحتويات

1. محتويات الصندوق ..... 5
2. الميزات ..... 6
3. معلومات متعلقة بالاستخدام ..... 9
4. التعرف على عصا التحكم الخاصة بك ..... 12
- النقاط الرئيسية ..... 12
- تقنية *H.E.A.R.T* (HallEffect AccuRate) ..... 13
- Technology* الدقيقة ..... 13
- وضع القيادة <> وضع العمل ..... 14
- مقبض دوار ..... 17
- عصا صغيرة "مجال الرؤية" ..... 18
- توصيل *SimTask FarmStick* على *Xbox \*Series* ..... 19
- X/S* / \* والكمبيوتر\* ..... 19
- تهيئة عصا التحكم لليد اليمنى واليسرى ..... 21

5. التثبيت على أجهزة XBOX SERIES X|S .....24
6. تخطيط XBOX .....26
7. التثبيت على أجهزة الكمبيوتر .....29
8. تخطيط الكمبيوتر .....31
9. الخائق .....34
10. زر زناد قابل للتبديل .....35
11. التثبيت على أجهزة \*XBOX SERIES X|S\* أو .....37
- الكمبيوتر مع موجه TFRP .....37
12. الأسئلة الشائعة والدعم الفني .....39



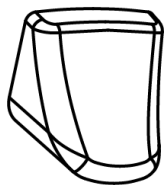
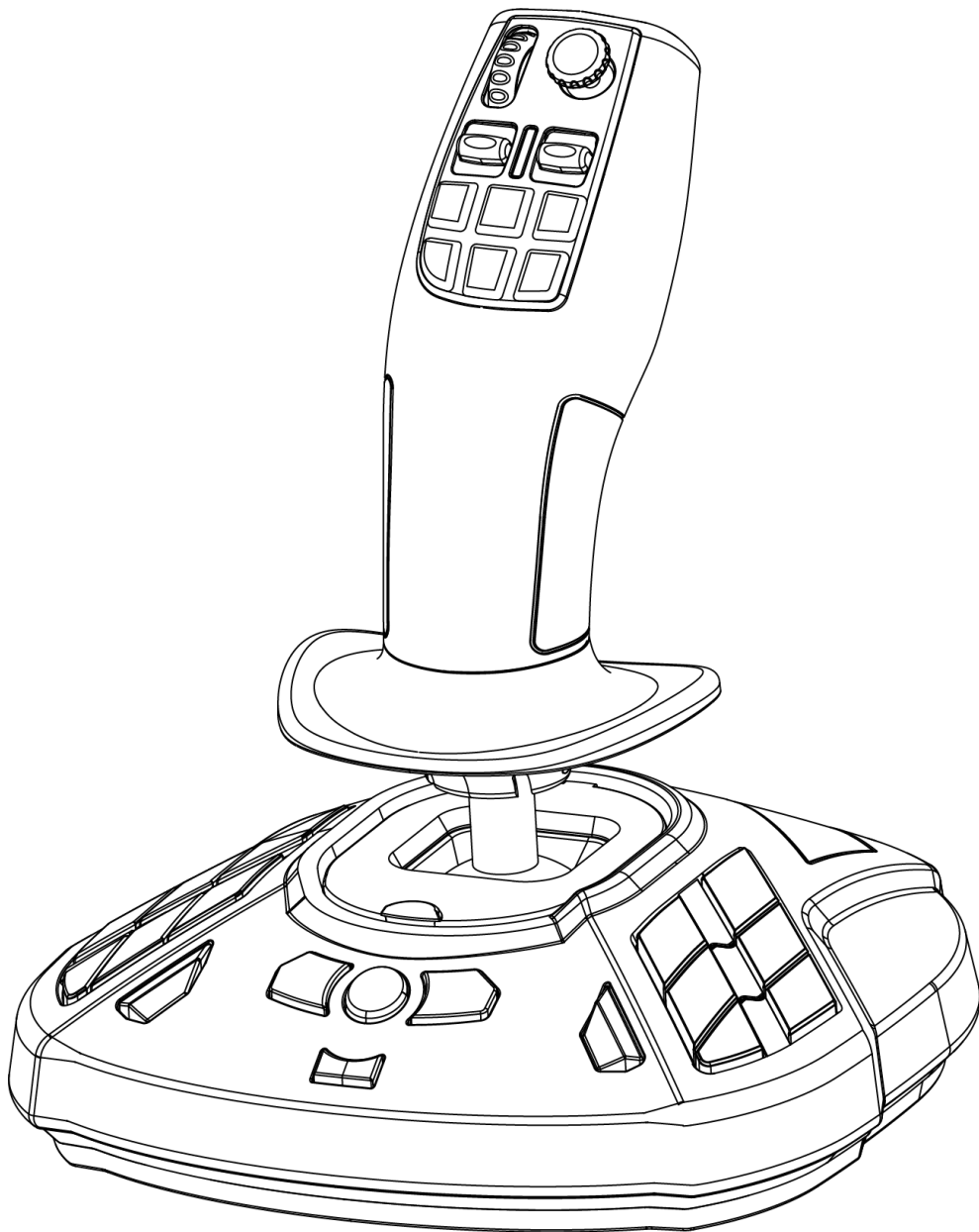


مع SimTask FarmStick من Thrustmaster، ستستمتع  
بجهاز متكامل تمامًا للتعامل مع مزارعك وآلات البناء الخاصة بك.  
يمكنك أيضًا استخدام SimTask FarmStick كعصا تحكم لمحاكاة  
الطيران.

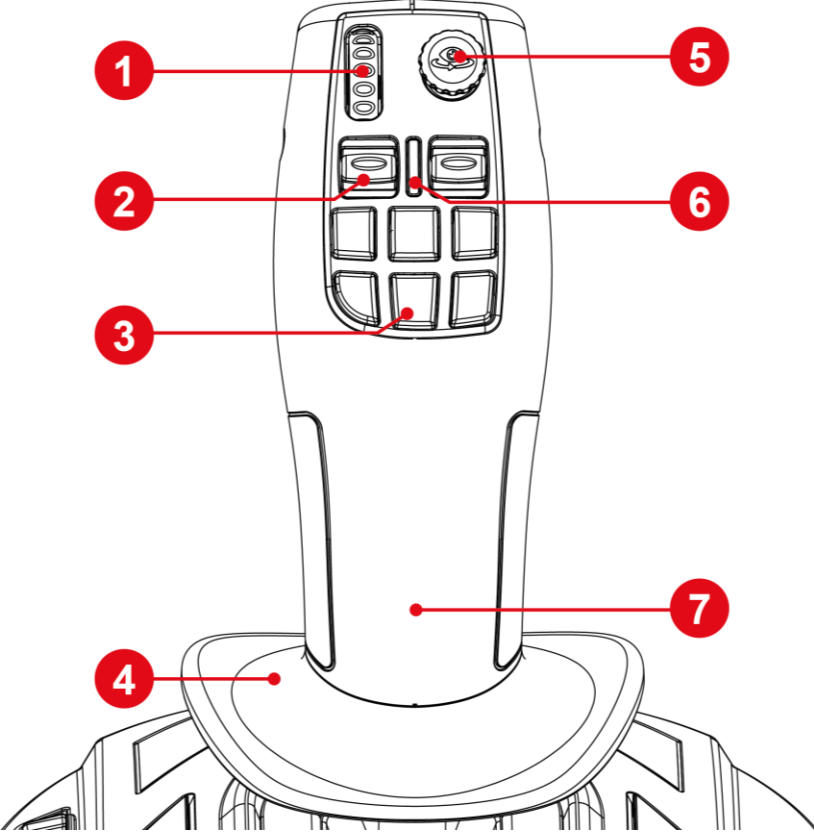
سيساعدك هذا الدليل في تركيب SimTask FarmStick الخاص بك  
وإستخدامه في ظل أفضل الظروف. قبل البدء، تأكد من قراءة كل هذه  
التعليمات والتحذيرات قراءة متأنية: فهي ستساعدك على تحقيق  
أقصى قدر من المتعة عند استخدام المنتج.



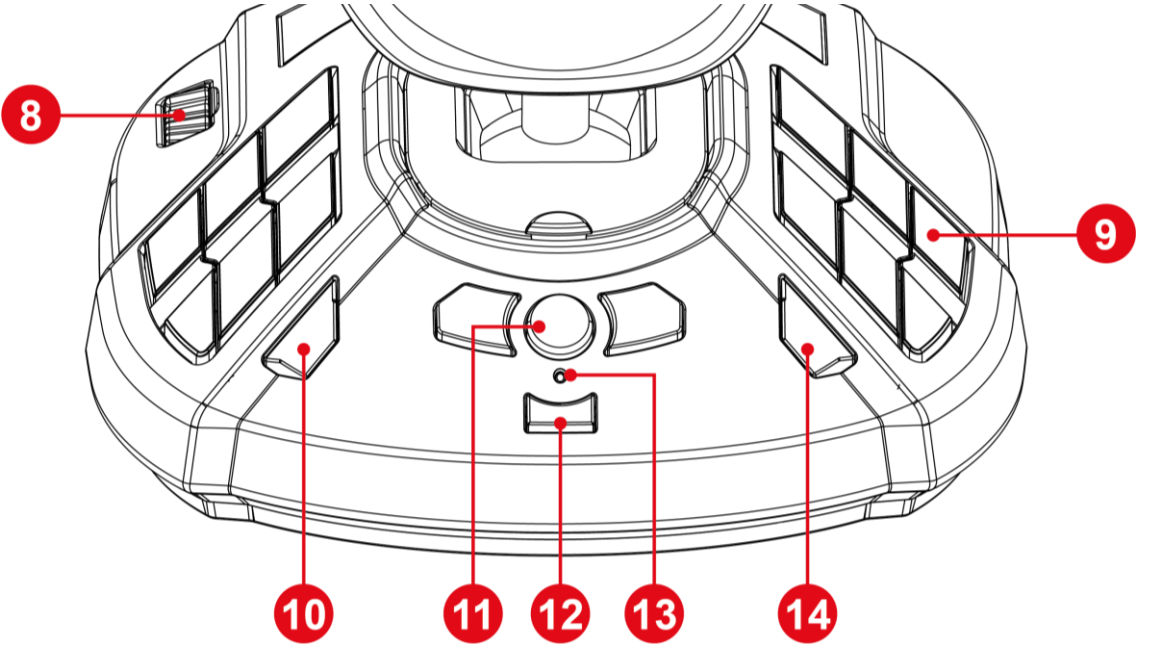
# 1. محتويات الصندوق



## 2. الميزات



1. عجلة الإبهام
2. مفتاح التبديل الهزاز
3. أزرار المهام السريعة
4. وسادة اليد
5. عصا صغيرة "مجال الرؤية"
6. مؤشر LED لوضع العصا
7. مقبض مريح قابل للاستخدام بكلتا اليدين



8. الخانق

9. أزرار مهام قابلة للبرمجة

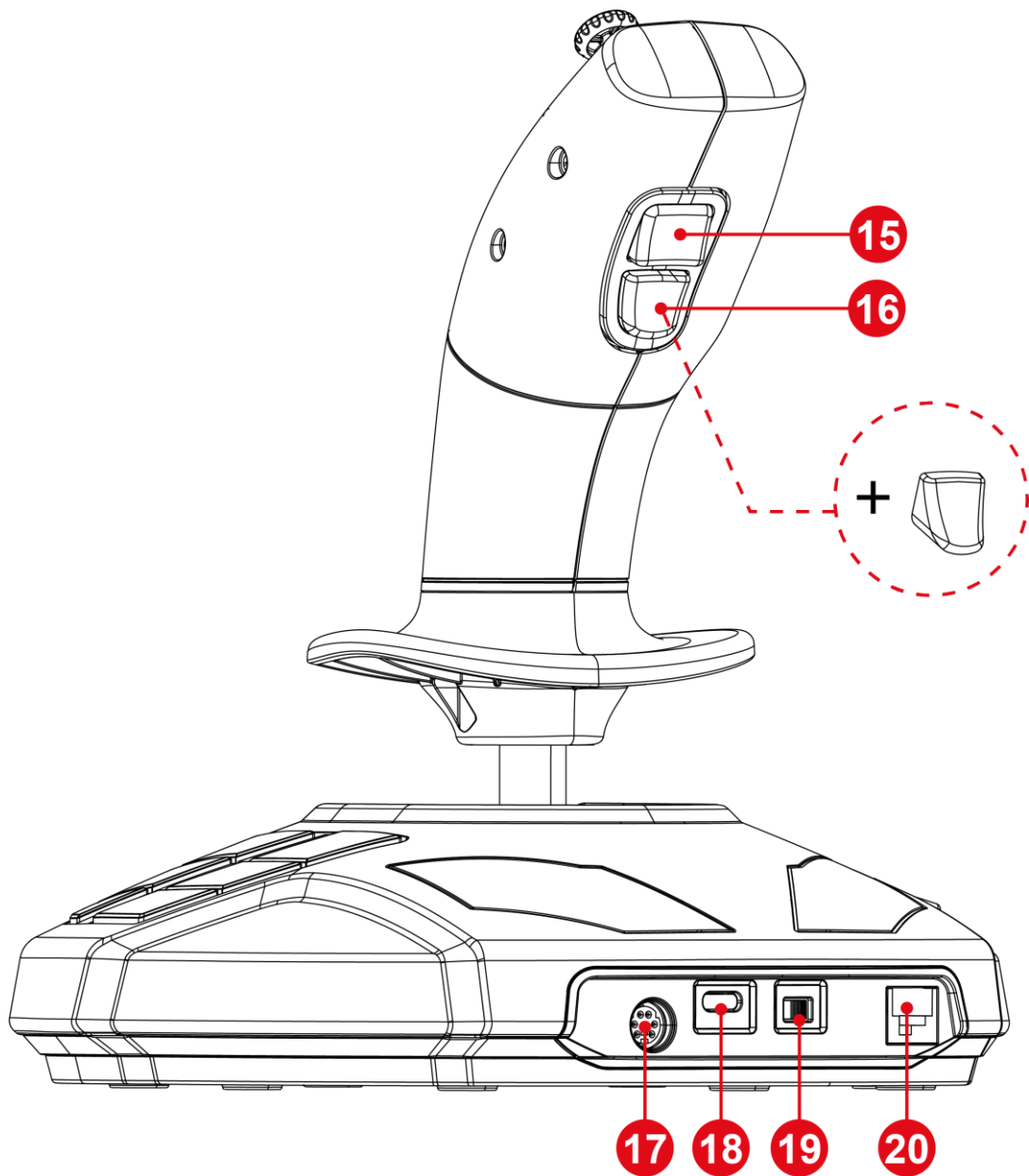
10. زر View (عرض)

11. زر Xbox

12. زر Share (مشاركة)

13. ضوء مؤشر

14. زر Menu (القائمة)



15. زر تغيير وضع العصا

16. زر زناد مهام قابل للتبديل

17. منفذ DIN للملحقات الإضافية\*

18. منفذ USB-C

19. محدد Xbox / كمبيوتر

20. منفذ RJ12 لمواجهة TFRP\*

\*تُباع منفصلة



### 3. معلومات متعلقة بالاستخدام



#### الوثائق

قبل استخدام هذا المنتج، اقرأ هذه الوثيقة قراءة متأنية مرة أخرى، واحتفظ بها للرجوع إليها مستقبلاً.



### الصدمة الكهربائية

- احتفظ بالمنتج في مكان جاف ولا تعرّضه للغبار أو لضوء الشمس المباشر.
- التزم بتعليمات التوصيل.
- لا تقم بثني أو سحب الموصلات أو الكابلات.
- لا تسكب أي سوائل على المنتج أو توصيلاته.
- لا تُحدِث دائرة قصر كهربائية للمنتج.
- لا تفك المنتج، ولا تلقه في النار، ولا تعرّضه لدرجات حرارة مرتفعة.
- لا تفتح الجهاز: فلا توجد أجزاء داخله يمكن للمستخدم صيانتها بنفسه. ويجب تنفيذ أي إصلاحات بواسطة الشركة المصنّعة، أو وكالة معتمدة، أو فني مؤهل.



### تأمين منطقة اللعب

- لا تضع في منطقة اللعب أي شيء قد يُربك المستخدم أثناء استخدامه للجهاز، أو قد يثير حركة غير مناسبة أو مقاطعة من جانب شخص آخر (فنجان قهوة، أو هاتف، أو مفاتيح، على سبيل المثال).
- لا تغطِّ كابلات الطاقة بسجادة أو فرش أو بطانية أو غطاء أو أي مصنوعات أخرى، ولا تضع أي كابلات في مكان يسير الأشخاص فيه.



## 4. التعرف على عصا التحكم الخاصة بك

### النقاط الرئيسية

- 33 زرًا و6 أزرار افتراضية، بما في ذلك عجلة الإبهام ومفتاحي تبديل هزازين
- 6 محاور، بما في ذلك عصا صغيرة، وتدوير مقبض عصا التحكم، وخانق
- مؤشر LED لوضع العصا
- تقنية (HallEffect AccuRate Technology) H.E.A.R.T.
- اتصال بمنفذ USB-A
- الخانق
- منفذ RJ12 لموجه TFRP\*

\*تُباع منفصلة

## تقنية (H.E.A.R.T AccuRate HallEffect) الدققة (Technology) الدققة

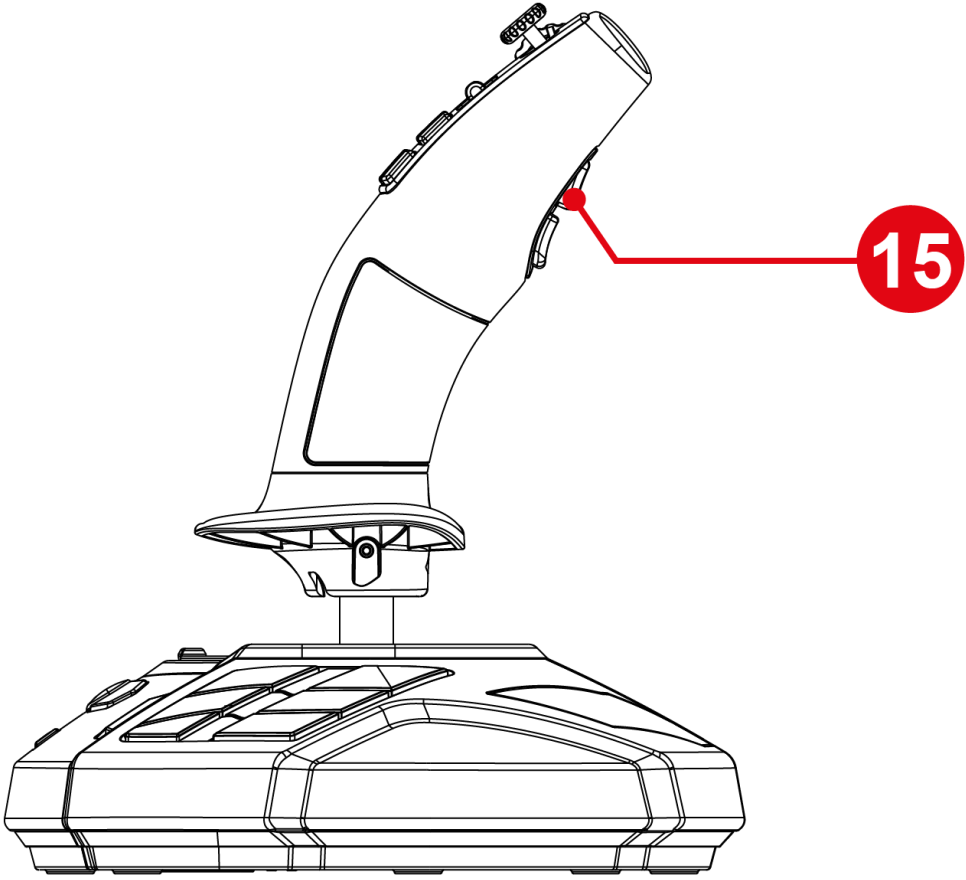
تتميز SimTask FarmStick الخاصة بك بتقنية تمنحها مستوى من الدقة لا يُضاهى في الوقت الحالي في عالم عصي تحكم الألعاب، وتتضمن: – أجهزة استشعار مغناطيسية ثلاثية الأبعاد (Hall Effect) على العصا، بدقة تزيد عن 268 مليون قيمة على جميع محاور X و Y قيمة (16,384 × 16,384).

– مغناطيس: بدون احتكاك، وذلك للحصول على دقة غير محدودة ورد فعل رائع يدوم طويلاً.

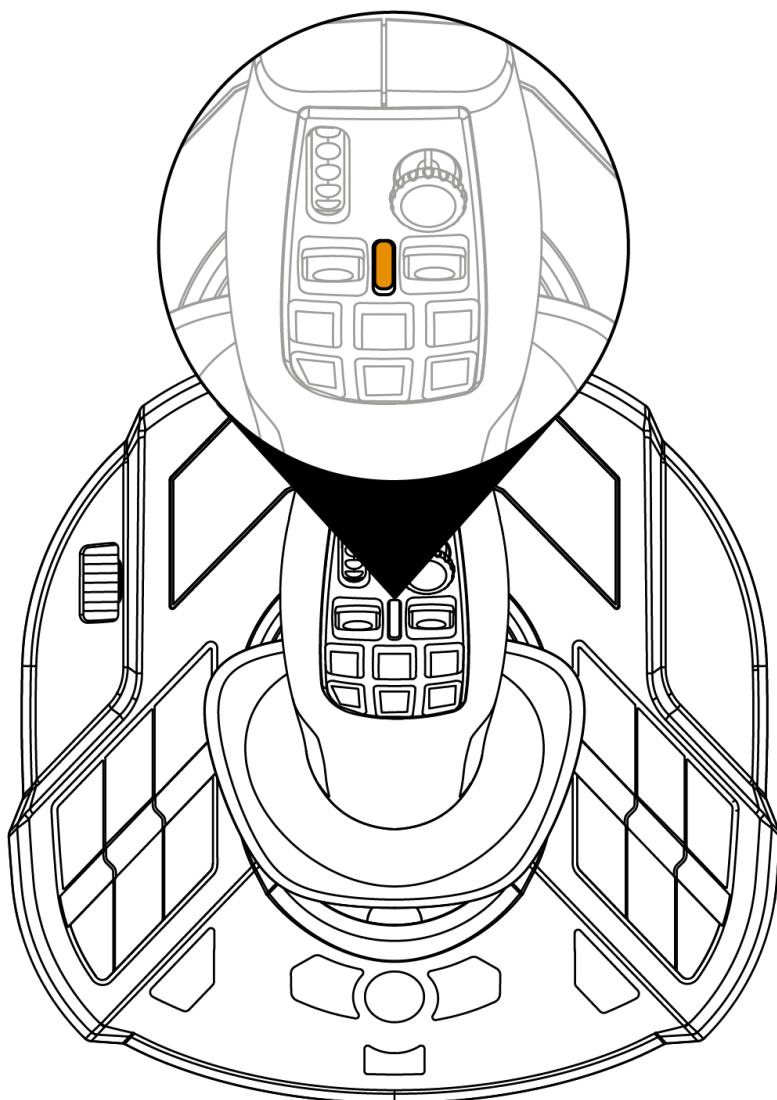
– نابض لولبي على العصا (2.8 مم): لجهد خطي ثابت وفائق الانسيابية.

## وضع القيادة <> وضع العمل

يتيح لك زر 15 التبديل من وضع القيادة إلى وضع العمل والعكس.



تعمل هذه الميزة على توسيع نطاق الإجراءات التي يمكن اتخاذها بالإبهام، أي عبر عجلة الإبهام 1 ومفاتيح التبديل القلابين. 2.  
يعمل وضع التغيير على تعديل الإجراءات المرتبطة بعجلة الإبهام 1 ومفاتيح التبديل القلابين. 2.



### وضع القيادة (افتراضي)

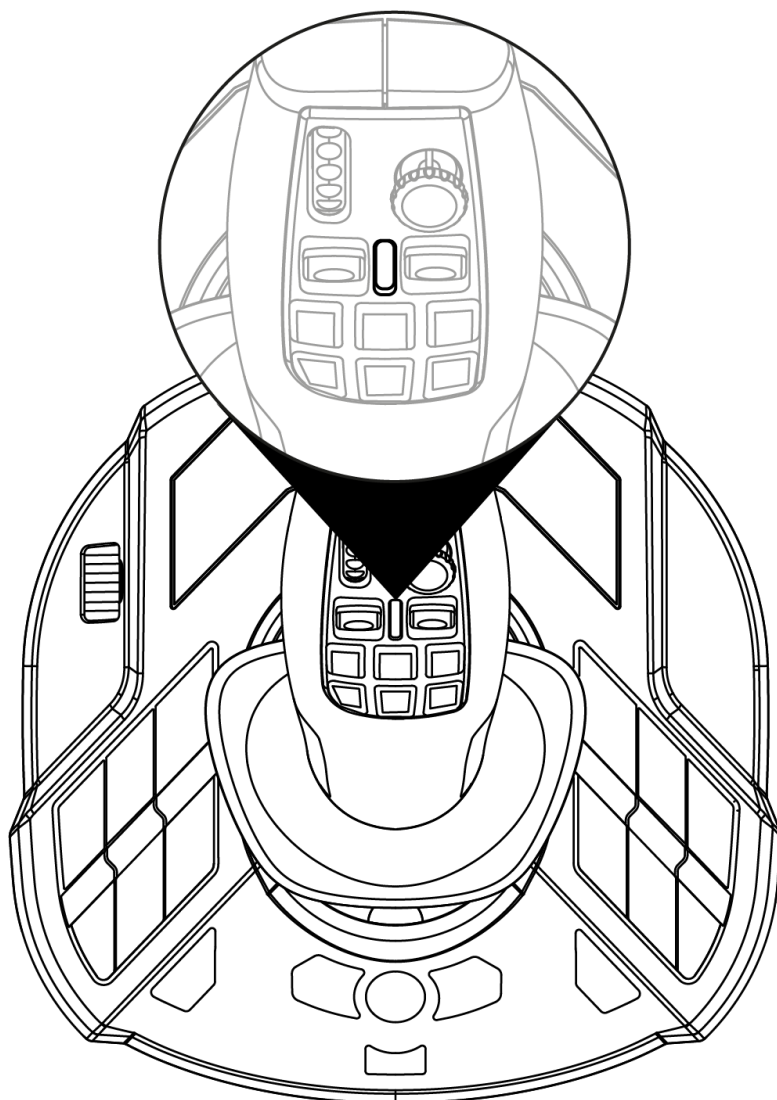
في وضع القيادة، يضيء مؤشر LED وضع العصا ⑥ باللون البرتقالي.



في وضع القيادة، يمكن أن تكون المهام المرتبطة بعجلة الإبهام ① ومفاتيح التبديل ② على النحو التالي:

– عجلة الإبهام: التحكم في نقطة ضبط المنظم.

– مفاتيح التبديل الهزازة: إدارة علبة التروس.



## وضع العمل

في وضع العمل، يضيء مؤشر LED لوضع العصا ⑥ باللون الأبيض.



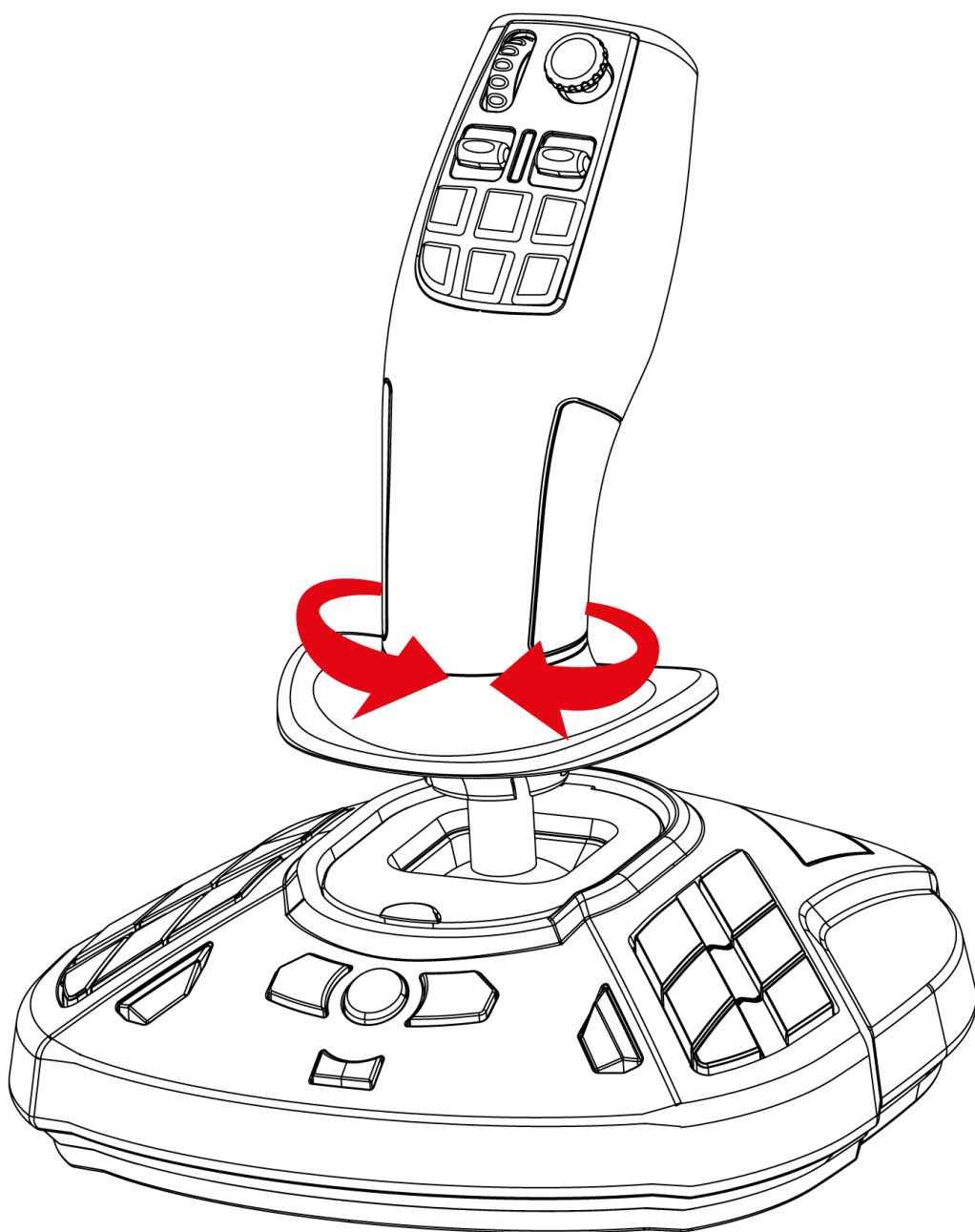
في وضع العمل، يمكن أن تكون المهام المرتبطة بعجلة الإبهام ① ومفاتيح التبديل ② كالتالي:

- عجلة الإبهام: للتحكم في تكبير الكاميرا.
- مفاتيح التبديل الهزازة: التحكم في أذرع الرافعة أو شاحنة التحميل.



## مقبض دوار

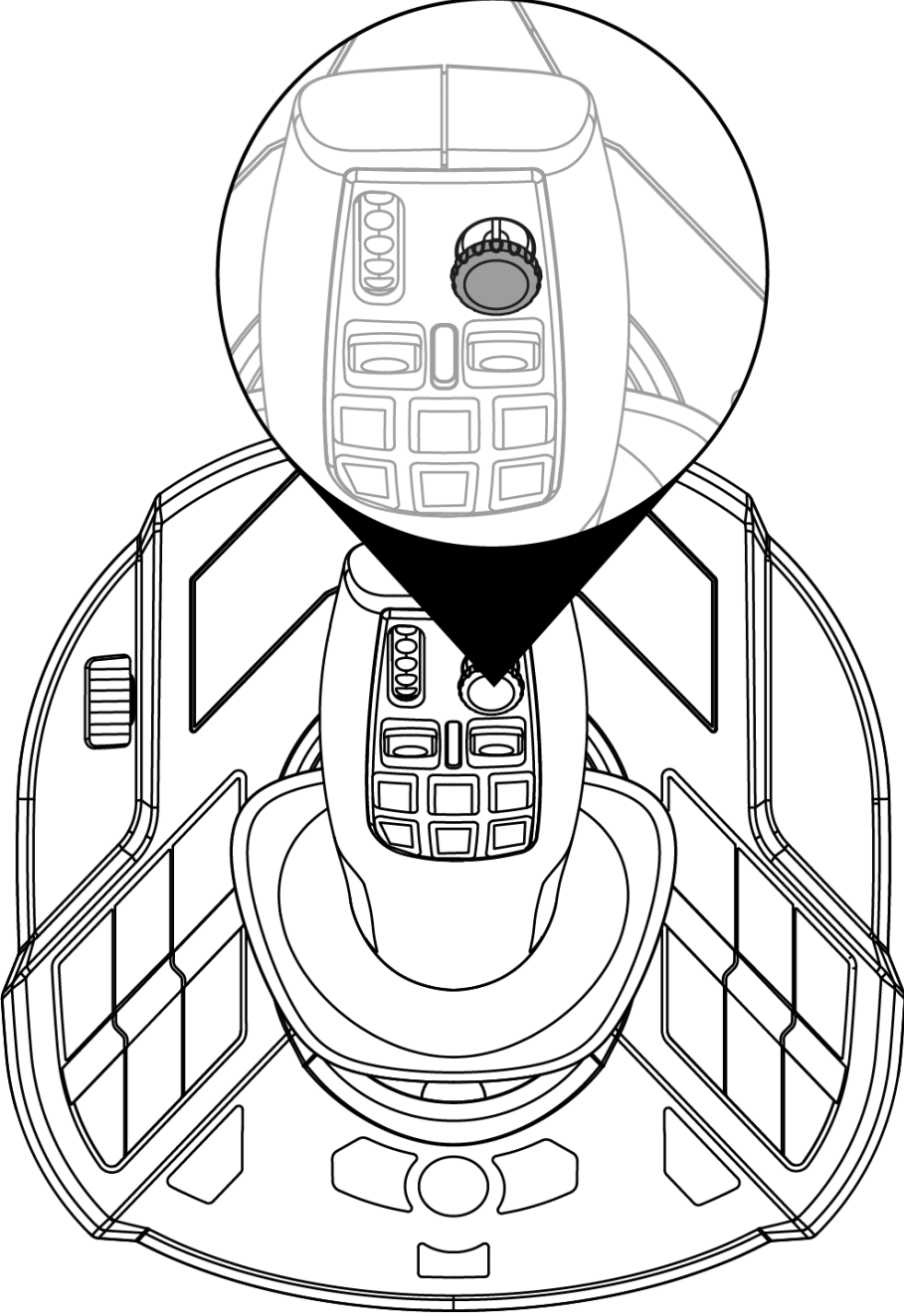
SimTask FarmStick تتميز بمقبض يدور حول محوره الأفقي. هذا مفيد للمناورة برأس الرافعة أو الحفار على سبيل المثال.



## عصا صغيرة "مجال الرؤية"

SimTask FarmStick تتميز بعصا "مجال الرؤية" صغيرة 5 التي

تتيح لك رؤية مجال رؤية مشغل الآلة.





## توصيل SimTask FarmStick على Xbox \*Series X/S / \*والكمبيوتر\*

SimTask FarmStick تتميز بستة محاور، ولكن توفر خيار توصيل موجه TFRP\*\* في جهة العصا الخلفية. يوفر لك هذا محورين إضافيين، بالإضافة إلى التحكم في الموجه باستخدام TFRP.



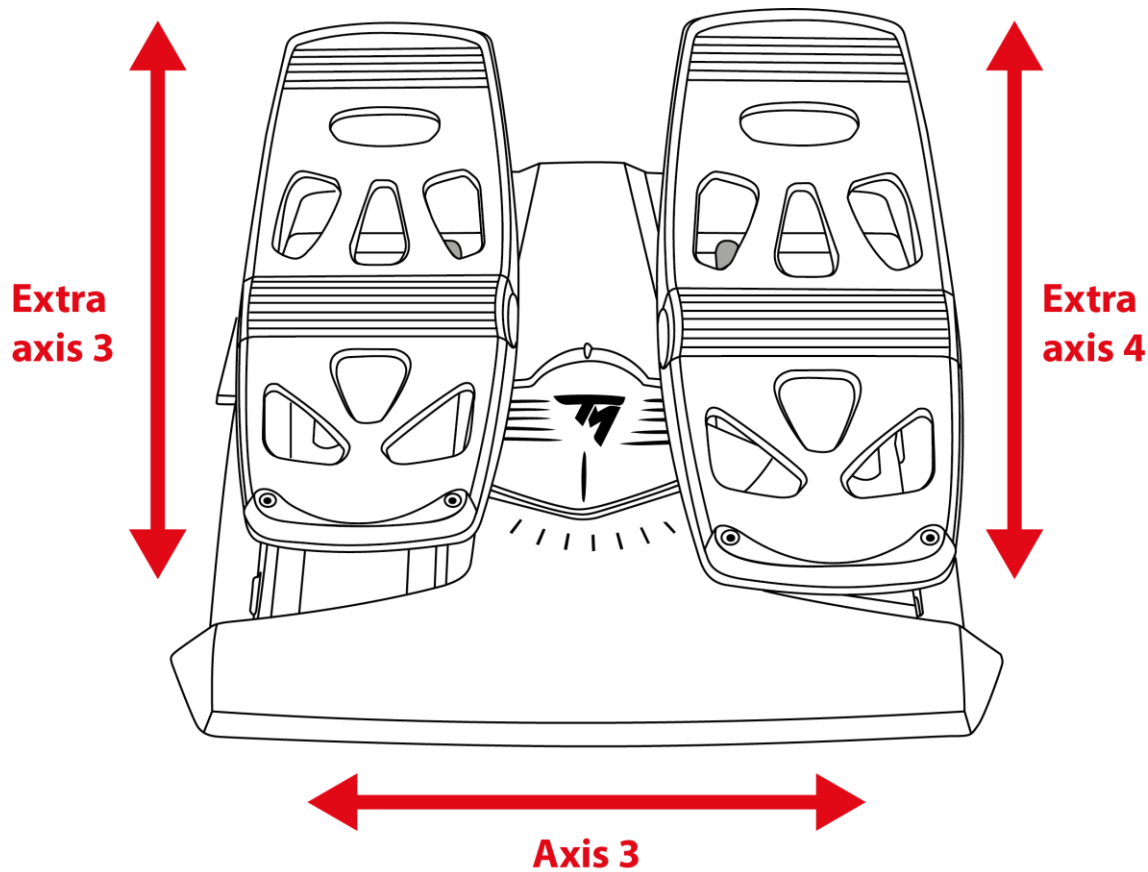
موجه TFRP هو الجهاز الوحيد المدعوم على Xbox Series X|S والكمبيوتر.

\* غير متوفر / \*\* يُباع بشكل منفصل

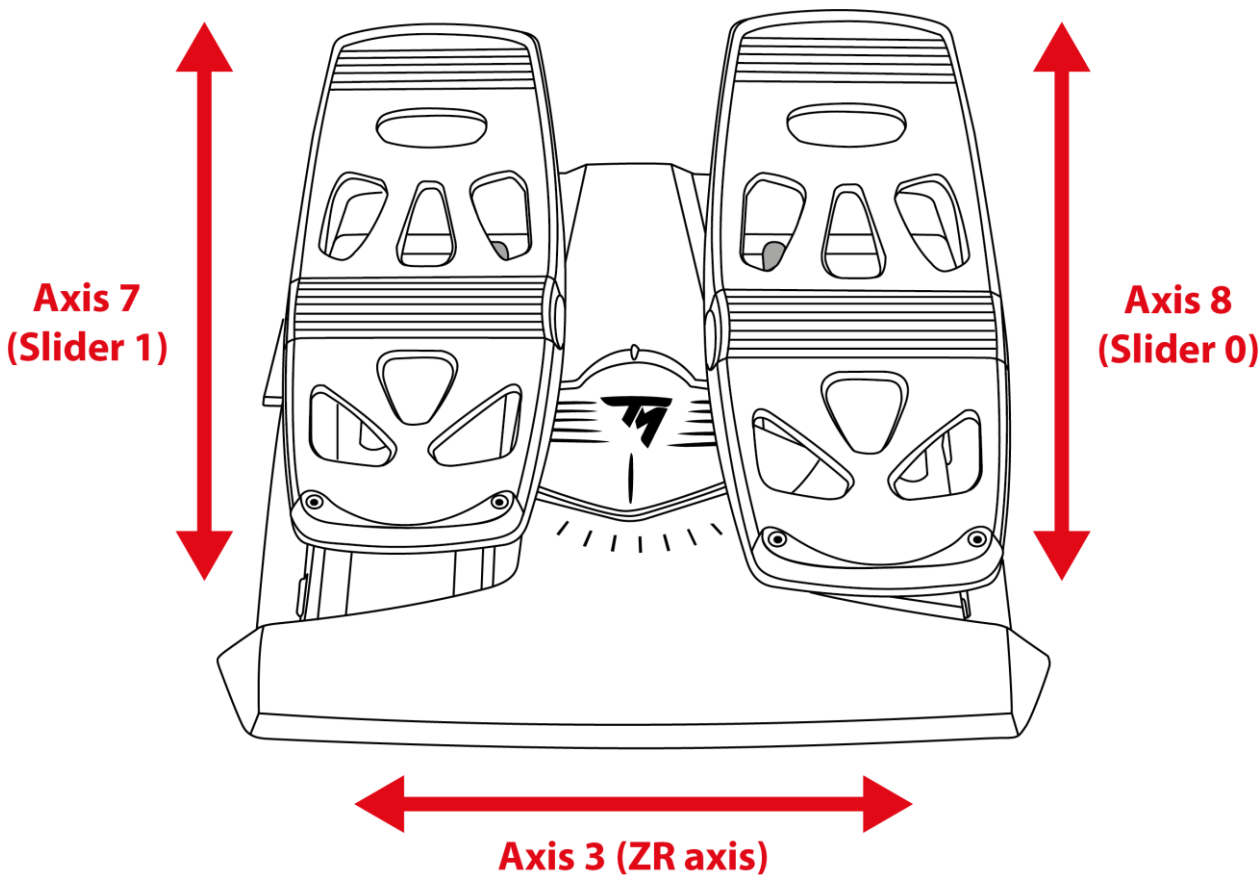




التخطيط لوحدة Xbox:



تخطيط للكمبيوتر:





## تهيئة عصا التحكم لليد اليمنى واليسرى

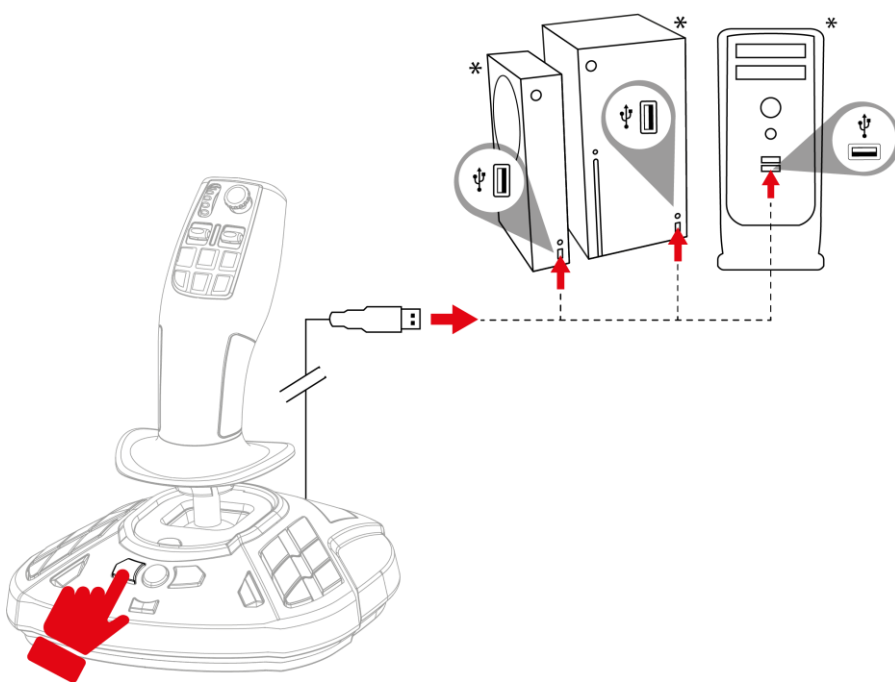
SimTask FarmStick الخاصة بك قابلة للاستخدام بكلتا اليدين للتكيف بسلاسة مع جميع اللاعبين، سواء كانوا يستخدمون اليد اليمنى أو اليسرى.

افتراضياً، يتم ضبط عصا التحكم على وضع اليد اليمنى.



لضبط عصا التحكم في وضع اليد اليسرى:

1. اضغط مع الاستمرار على الزر 14 (على الكمبيوتر) أو الزر Prev (على Xbox Series X|S) عند توصيل SimTask FarmStick بجهاز Xbox Series X|S أو الكمبيوتر الخاص بك. سيومض ضوء مؤشر LED 6 بالعصا باللون الأبيض لمدة خمس ثوانٍ.



2. اترك الزر 14 (على الكمبيوتر) أو Prev (على Xbox Series X|S).



يتم حفظ وضع اليد اليسرى تلقائيًا في ذاكرة SimTask FarmStick الداخلية.

\* غير مزود



لإعادة ضبط عصا التحكم على وضع اليد اليمنى:

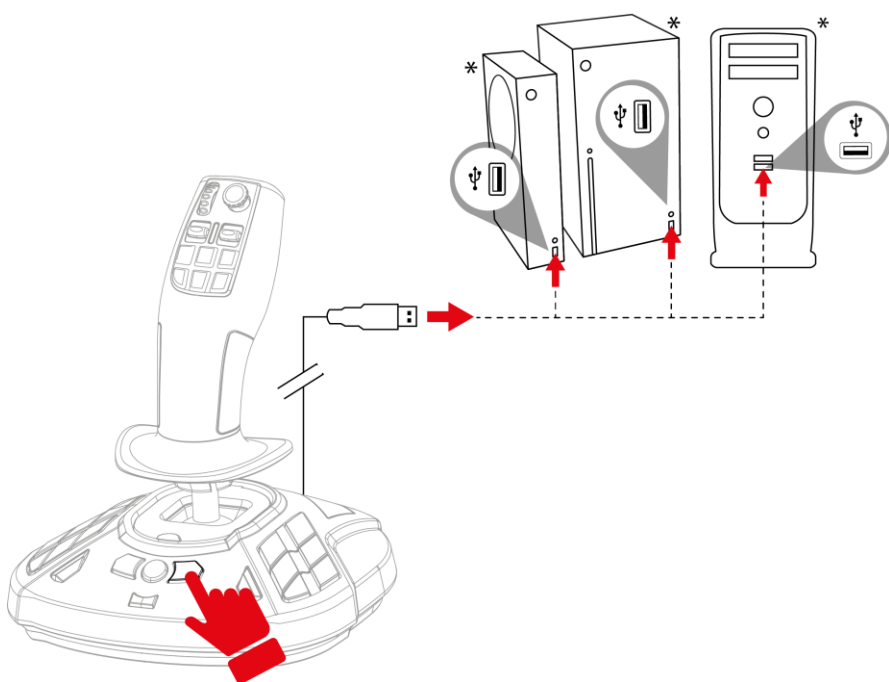
1. اضغط مع الاستمرار على الزر 16 (على الكمبيوتر) أو Next (على

SimTask FarmStick (Xbox Series X|S) عند توصيل

بجهاز Xbox Series X|S أو الكمبيوتر الخاص بك.

سيومض ضوء مؤشر LED 6 بالعصا باللون البرتقالي لمدة خمس

ثوانٍ.



2. اترك الزر 16 (على الكمبيوتر) أو Next (على Xbox

Series X|S).

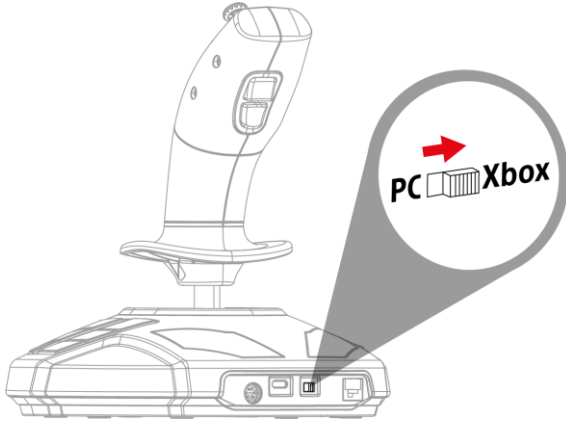


يتم حفظ وضع اليد اليمنى تلقائيًا في ذاكرة SimTask FarmStick الداخلية.

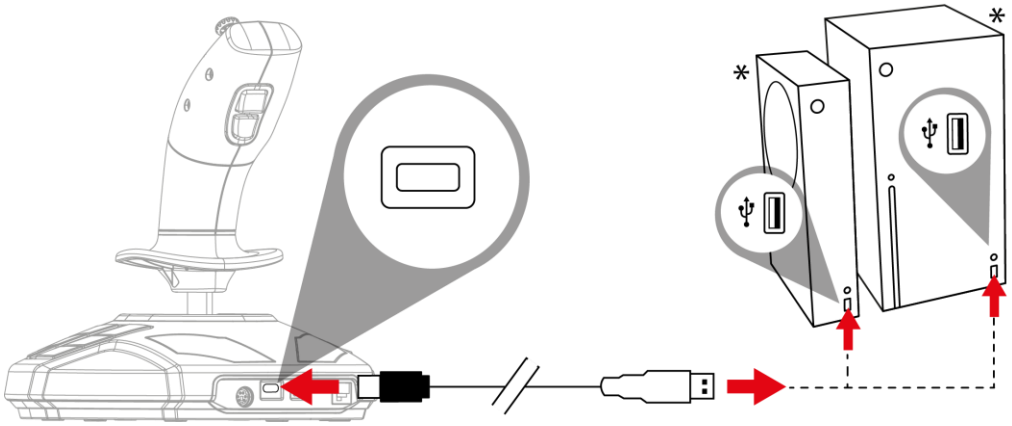
\* غير مزود

## 5. التثبيت على أجهزة Xbox Series X|S

1. اضغط المفتاح 19 الموجود بالجزء الخلفي من عصا التحكم على موضع Xbox.

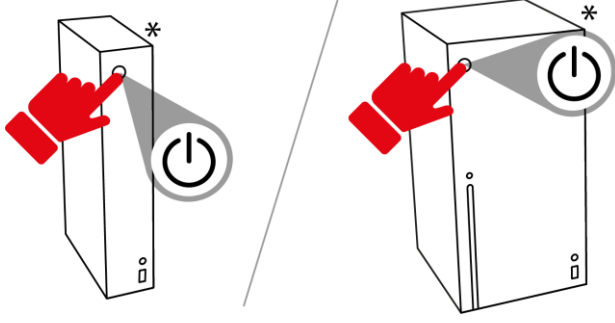


2. قم بتوصيل كابل USB-C – USB-A بمنفذ USB-C الخاص بعصا التحكم 18 وأحد منافذ USB-A بوحدة التحكم\*.

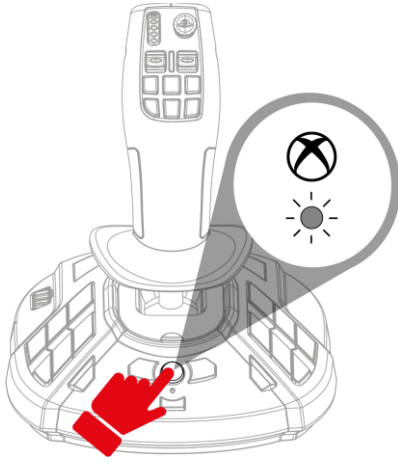


\* غير مزود

3. قم بتشغيل وحدة التحكم.



4. اضغط زر Xbox. سوف يتوهج ضوء مؤشر عصا التحكم باللون الأبيض.



5. ابدء لعبة متوافقة.

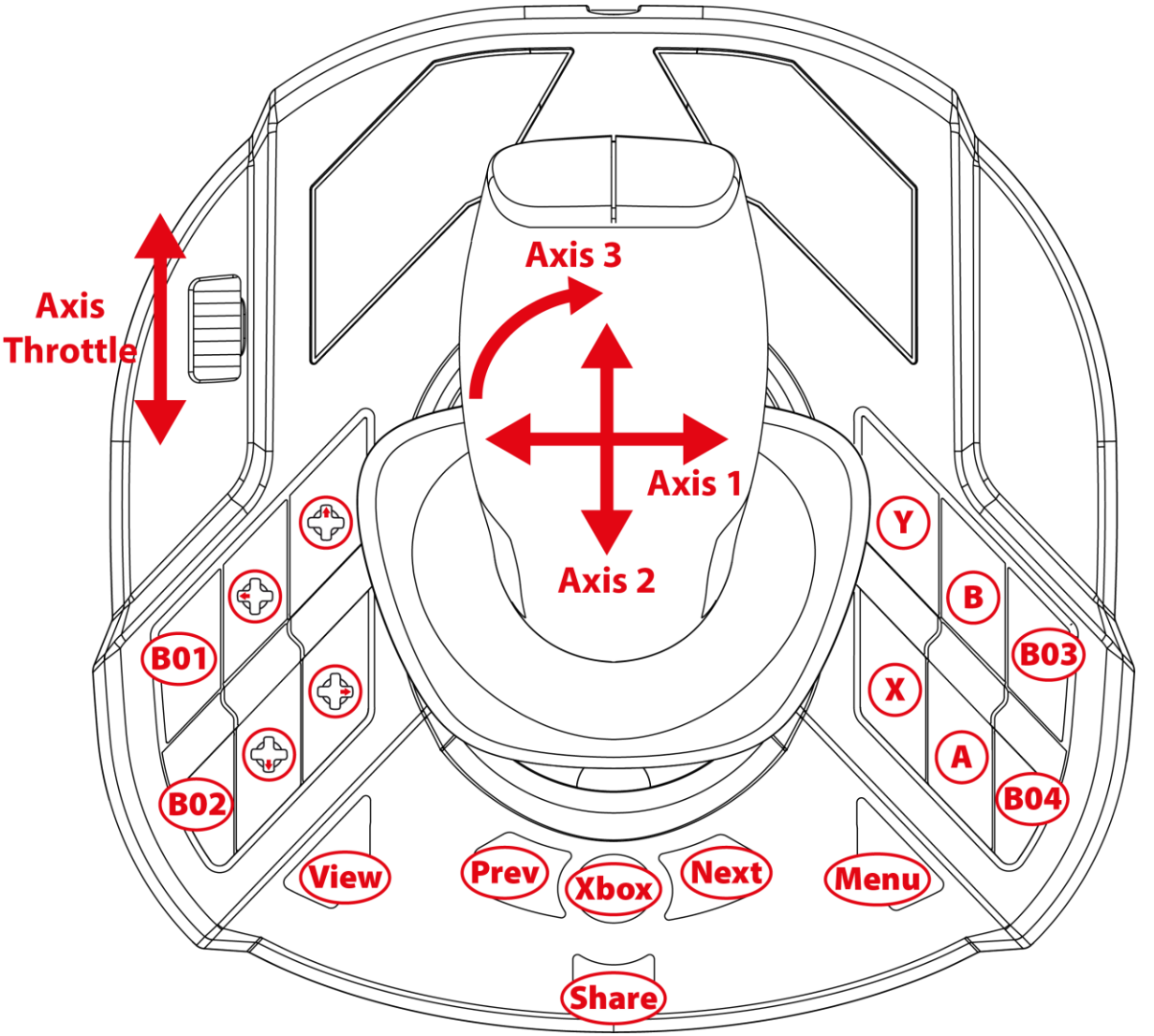
أنت الآن جاهز للعب!



عند توصيل عصا التحكم الخاصة بك، احتفظ بالمقبض دائمًا في موضعه المركزي، وتجنب تحريكه أو تدويره، وذلك لتجنب حدوث أي مشكلات في المعايير. عند استخدام ذراعي تحكم في نفس الوقت، يساعدك هذا الوضع على التمييز بينهما.

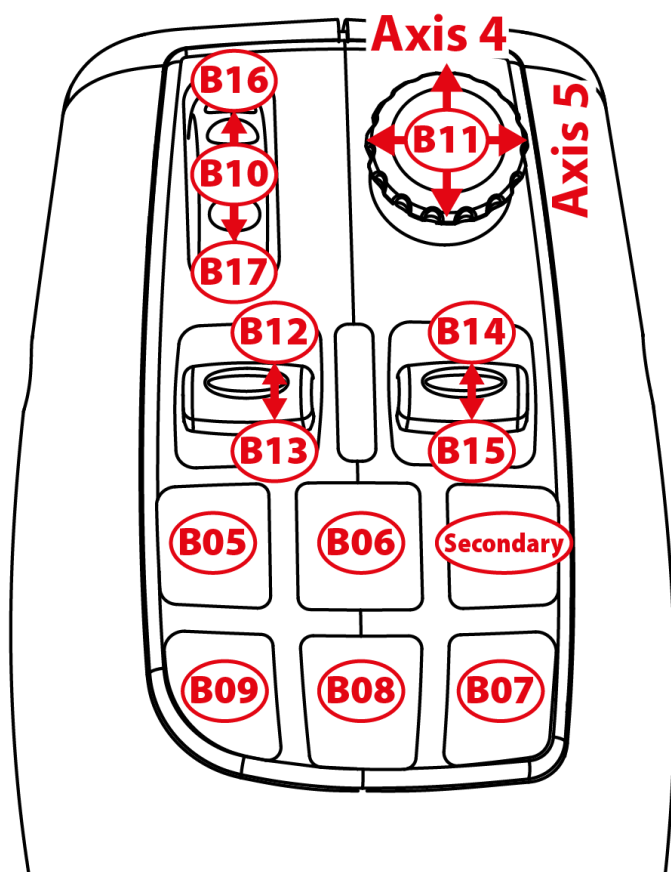
\* غير مزود

## 6. تخطيط Xbox

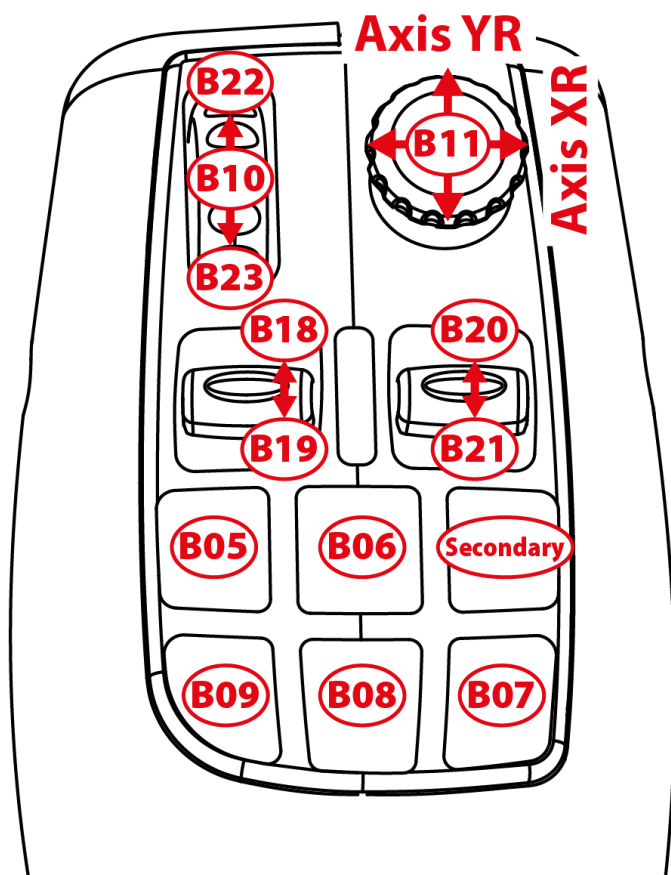


يتمثل التخطيط في وضعي اليد اليمنى واليسرى.

يمكن تحديد وضع اليد اليمنى (الافتراضي) / اليد اليسرى باتباع هذا الإجراء.

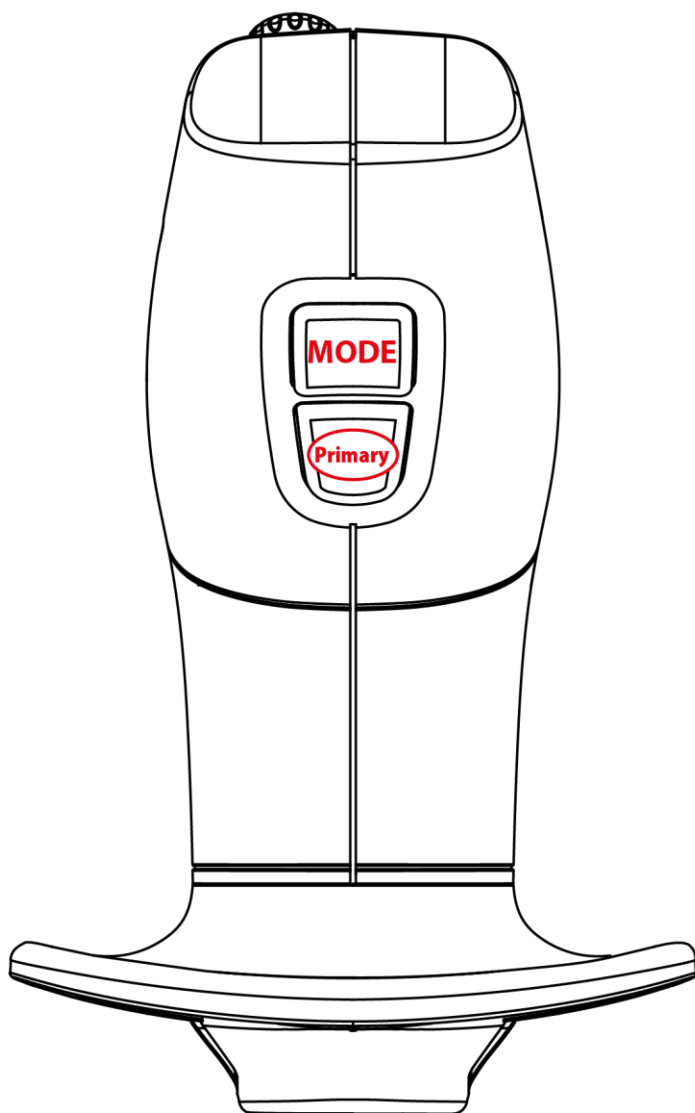


وضع القيادة



وضع العمل





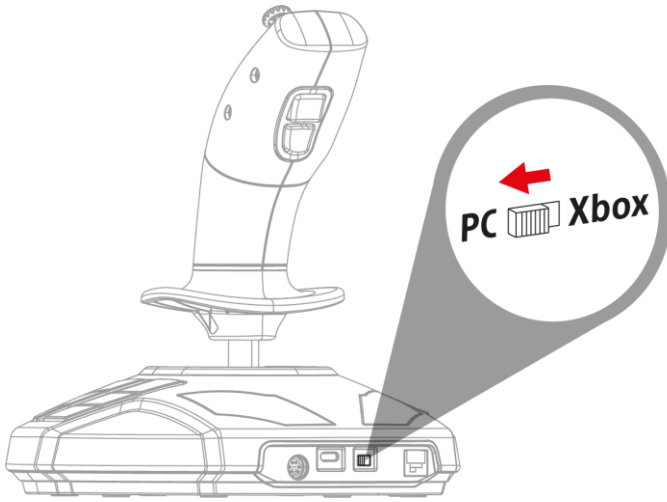
## 7. التثبيت على أجهزة الكمبيوتر

1. يُرجى زيارة:

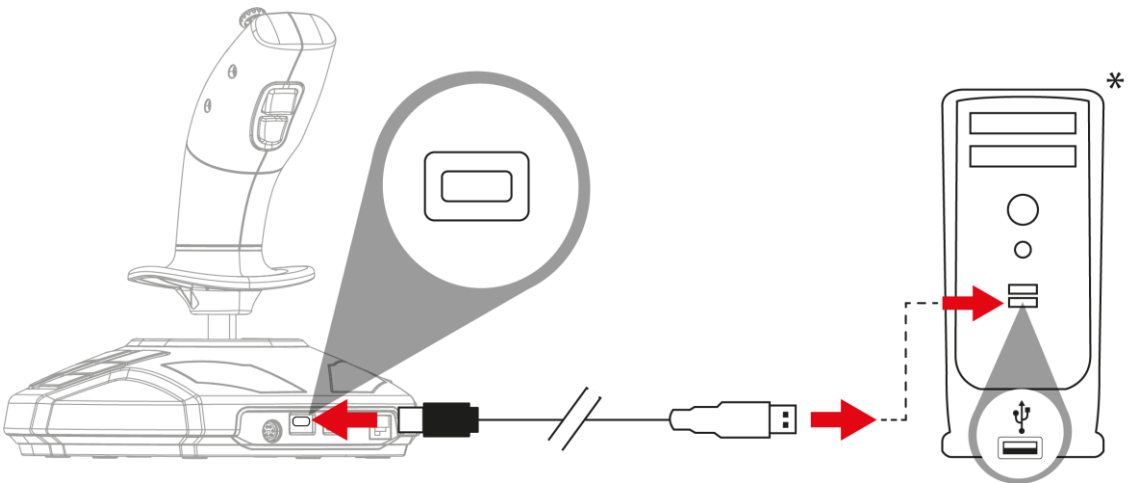
<https://support.thrustmaster.com/product/sim-task-farmstick-x/>

2. قم بتنزيل وتثبيت برنامج التشغيل الخاص بأجهزة الكمبيوتر وواجهته المخصصة للوحة التحكم في نظام التشغيل Windows.

3. بمجرد تثبيت برنامج تشغيل جهاز الكمبيوتر، اضغط المفتاح **19** الموجود في الجزء الخلفي من عصا التحكم على وضع جهاز الكمبيوتر.



4. قم بتوصيل كابل USB-A – USB-C بمنفذ USB-C بعصا التحكم **18** وأحد منافذ USB-A بجهاز الكمبيوتر\*.



\* غير مزود

5. اختر ابدأ / الإعدادات / لوحة التحكم ثم اضغط مرتين على وحدات التحكم بالألعاب. يعرض مربع الحوار وحدات التحكم بالألعاب اسم عصا التحكم مع الحالة OK .

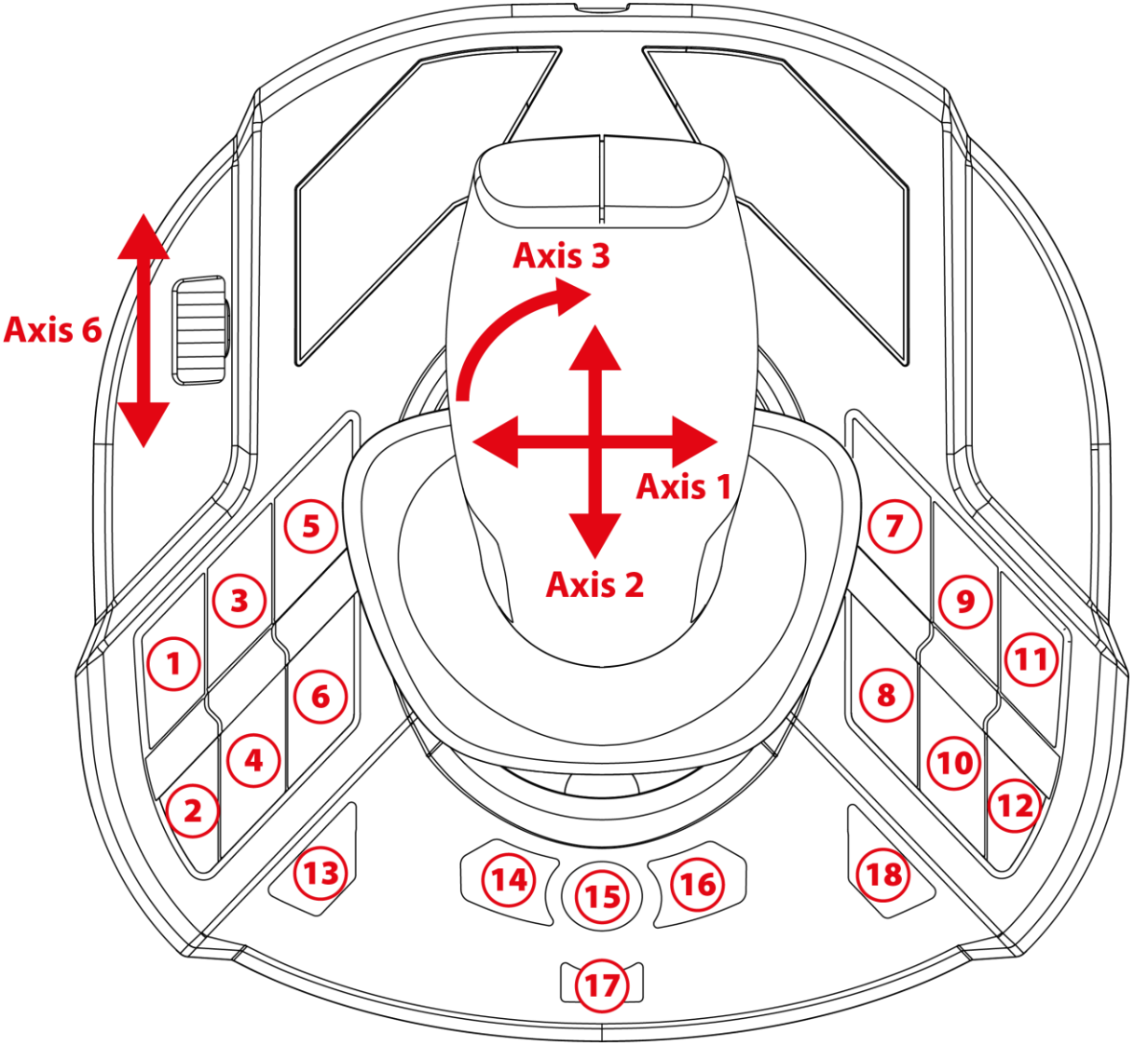
6. في نافذة لوحة التحكم ، اضغط على الخصائص لاختبار كافة الميزات وعرضها. يمكنك أيضًا تحديد وضع اليد اليمنى (افتراضي) أو وضع اليد اليسرى.

أنت الآن جاهز للعب!

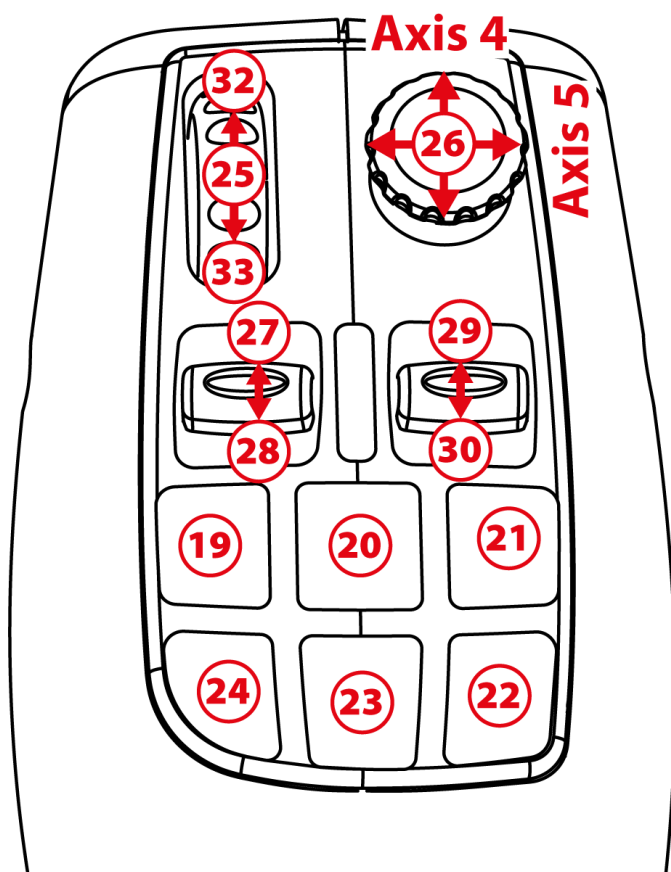


عند توصيل عصا التحكم الخاصة بك، احتفظ بالمقبض دائمًا في موضعه المركزي، وتجنب تحريكه أو تدويره، وذلك لتجنب حدوث أي مشكلات في المعايرة.

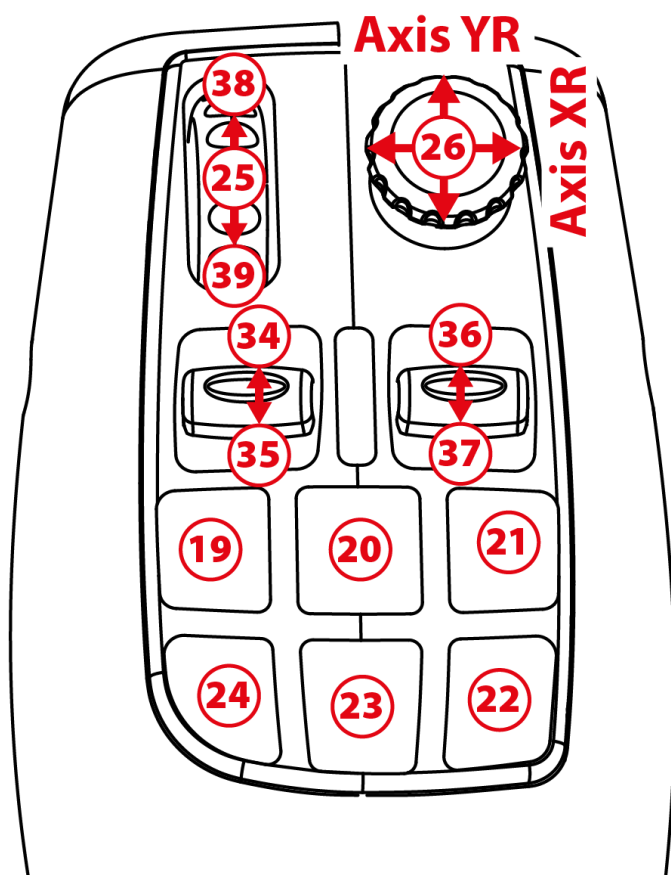
## 8. تخطيط الكمبيوتر



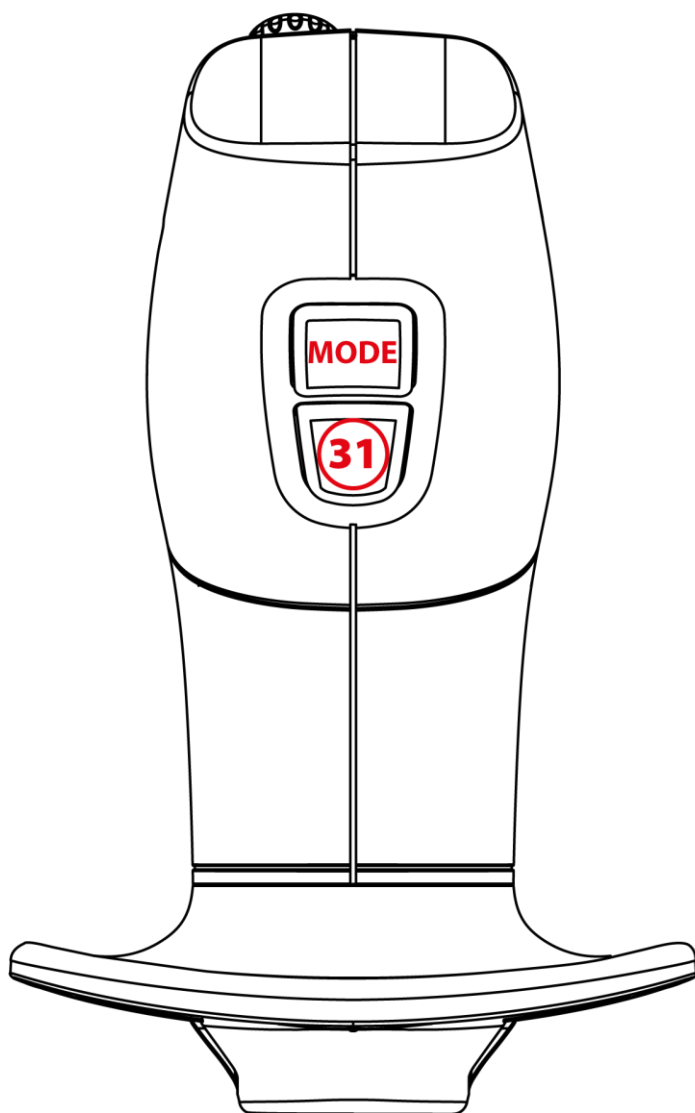
يتمثل التخطيط في وضعي اليد اليمنى واليسرى.  
يمكن تحديد وضع اليد اليمنى (الافتراضي) أو اليد اليسرى باتباع هذا  
الإجراء أو في لوحة التحكم. عند استخدام ذراعي تحكم في نفس الوقت،  
يساعدك هذا الوضع على التمييز بينهما.



وضع القيادة



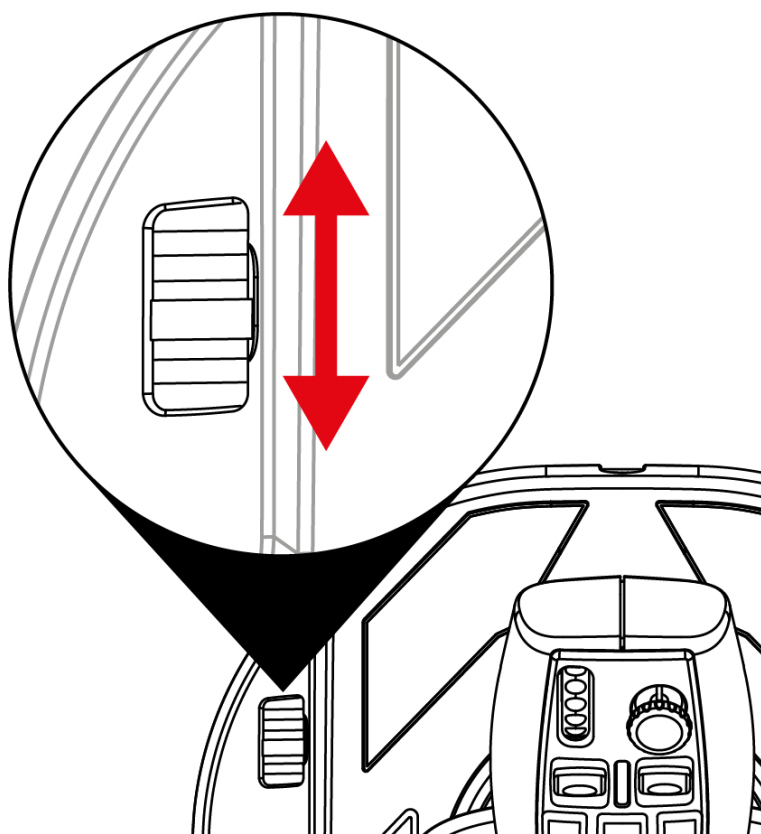
وضع العمل





## 9. الخانق

تتميز عصا التحكم الخاصة بك بخانق 8 يتيح لك التحكم بسهولة في سرعة المحرك.

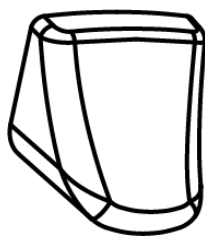




## 10. زر زناد قابل للتبديل

تتميز عصا التحكم الخاصة بك بزر زناد للمهام قابل للتبديل 16 يوفر هندسة مختلفة للعبة.

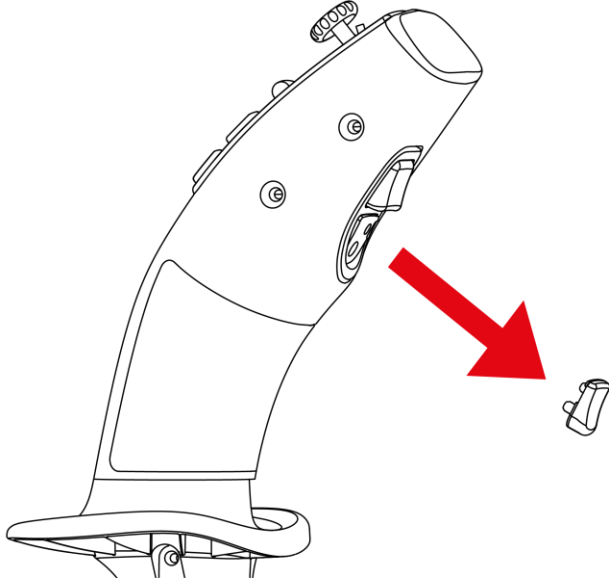
يمكن استبدال زر الزناد المثبت افتراضياً بزر زناد مناسب لمحاكاة الطيران (مضمن مع SimTask FarmStick).



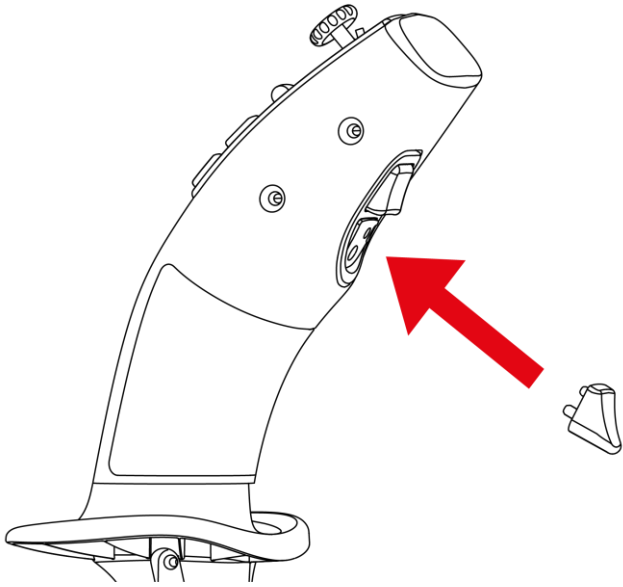


لتغيير زر الزناد:

1. ضع أصابعك على أي من جانبي زر الزناد واسحبه بحرص.



2. أدخل زر الزناد الجديد في موضع التركيب المناسب.



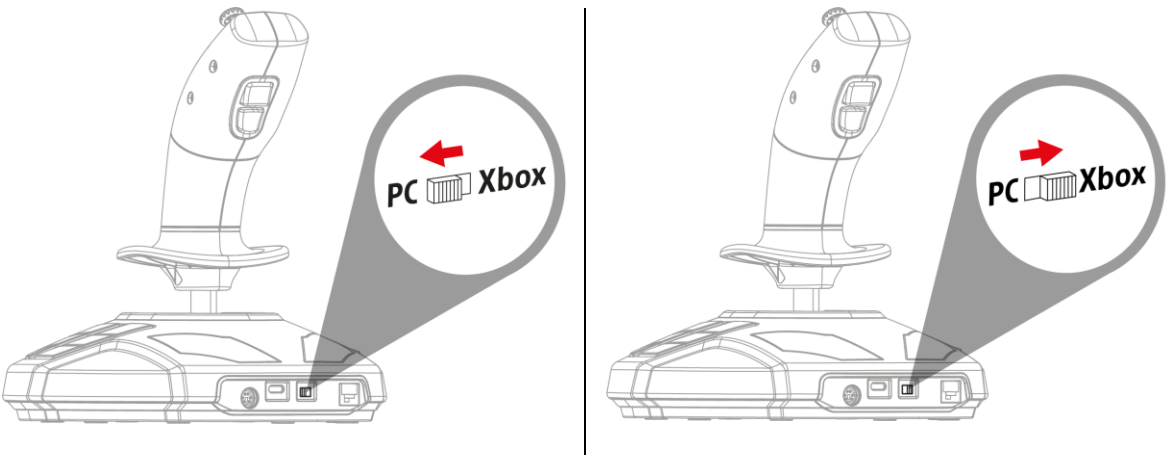
يجب أن تتناسب المسامير المركزية مع موضعها في العصا. لا تضغط على الزناد بقوة، لأن ذلك قد يؤدي إلى تلف المسامير.

# 11. التثبيت على أجهزة Xbox Series X|S\*

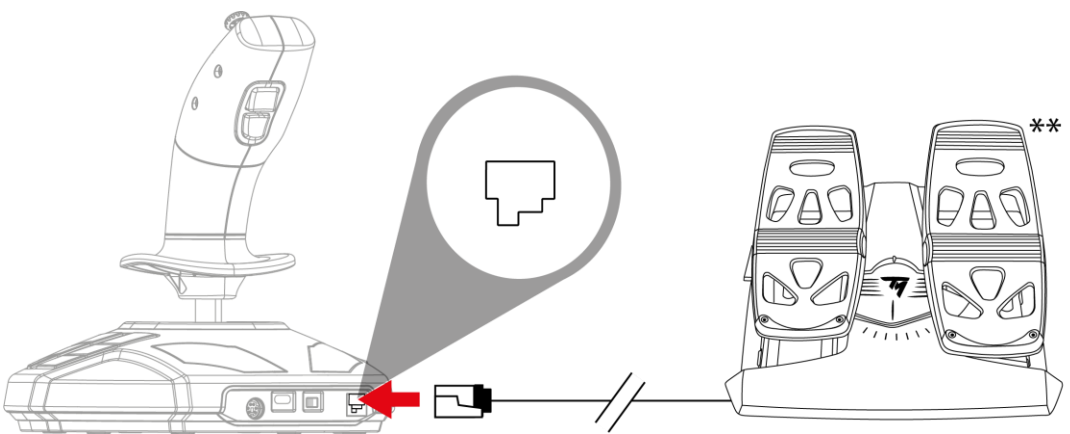
## \* أو الكمبيوتر مع موجه TFRP

يتم توصيل موجه TFRP\*\* بـ SimTask FarmStick.

1. اضبط المفتاح 19 الموجود بالجزء الخلفي من عصا التحكم على موضع Xbox أو الكمبيوتر.



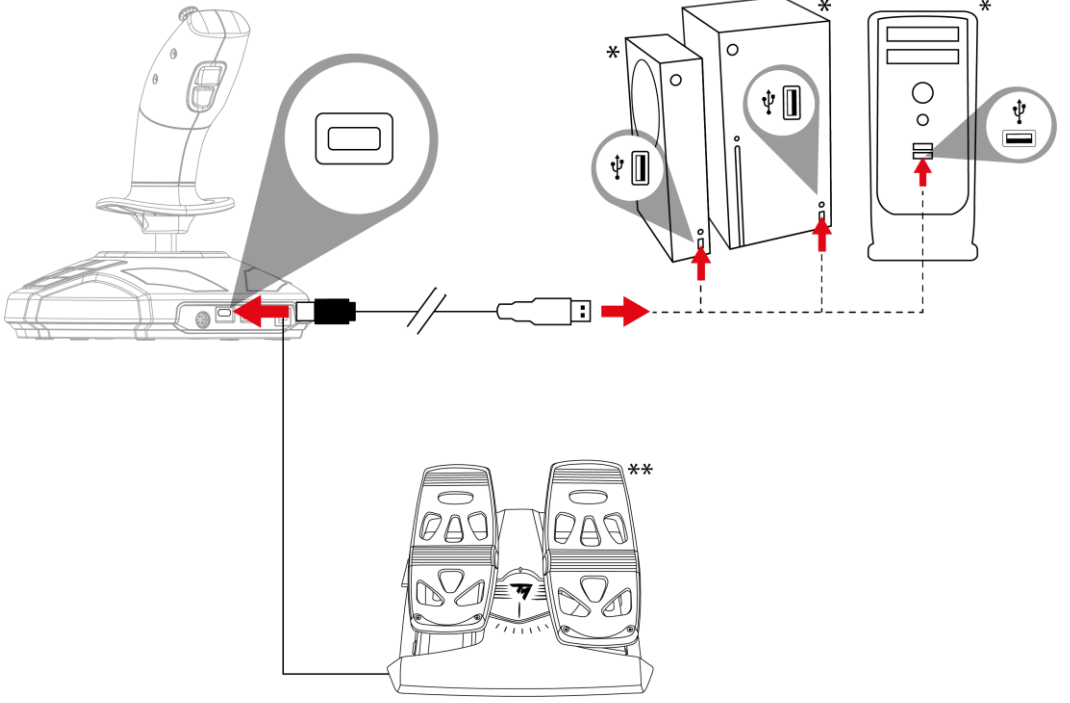
2. قم بتوصيل كابل RJ12 الخاص بموجه TFRP\*\* بمنفذ RJ12 20 الموجود بالجزء الخلفي من عصا التحكم.



\* غير متوفر / \*\* يُباع بشكل منفصل

### 3. قم بتوصيل كابل USB-A – USB-C بمنفذ USB-C بعصا التحكم

18 ومنفذ USB-A بوحدة التحكم\* أو الكمبيوتر الشخصي\*.



– عند توصيل عصا التحكم الخاصة بك، احتفظ بالمقبض دائماً في موضعه المركزي، وتجنب تحريكه أو تدويره، وذلك لتجنب حدوث أي مشكلات في المعايير.

– عند توصيل الموجه بعصا التحكم: احتفظ دائماً بمحور الموجه في موضعه المركزي ولا تضع قدميك على دواسات الموجه لتجنب أي مشاكل في المعايير.

\* غير متوفر / \*\* يُباع بشكل منفصل

## 12. الأسئلة الشائعة والدعم الفني

**عصا التحكم لا تعمل بشكل صحيح أو تبدو كأنها لم تتم معايرتها بشكل صحيح.**

– أوقف تشغيل جهاز الكمبيوتر أو وحدة التحكم وافصل عصا التحكم، ثم أعد تشغيل جهاز الكمبيوتر أو وحدة التحكم، وأعد توصيل عصا التحكم وأعد تشغيل اللعبة.

– عند توصيل عصا التحكم الخاصة بك، احتفظ بالمقبض دائمًا في موضعه المركزي، وتجنب تحريكه أو تدويره، وذلك لتجنب حدوث أي مشكلات في المعايرة.

– عند توصيل الموجه بعصا التحكم: احتفظ دائمًا بمحور الموجه في موضعه المركزي ولا تضع قدميك على دواسات الموجه لتجنب أي مشاكل في المعايرة.

لا يمكنني تهيئة عصا التحكم.

- في القائمة **Options (الخيارات) / Controller (وحدة التحكم)** **Gamepad (لوحة الألعاب) أو Joystick (عصا التحكم)** بلعبتك: حدد التهيئة المناسبة، أو أعد تهيئة وحدة التحكم بالكامل.
- يُرجى الرجوع إلى دليل المستخدم أو قسم المساعدة عبر الإنترنت الخاص باللعبة للحصول على مزيد من المعلومات.

## عصا التحكم حسّاسة أكثر مما ينبغي أو غير حسّاسة بشكلٍ كافٍ.

– تعابير عصا التحكم الخاصة بك نفسها بشكل مستقل عند أدائك بعض الحركات على المحاور المختلفة.

– في القائمة **Options (الخيارات) / Controller (وحدة التحكم) / Gamepad (لوحة الألعاب) أو Joystick (عصا التحكم)** بلعبتك: اضبط الحساسية والمناطق الهامدة لعصا التحكم الخاصة بك (إذا كانت تلك الخيارات متاحة).

هل لديك أسئلة بخصوص SimTask FarmStick، أو هل تواجه مشكلات فنية؟ إذا كان الأمر كذلك، فتفضل بزيارة موقع Thrustmaster الإلكتروني للدعم الفني:

<https://support.thrustmaster.com/product/simta-sk-farmstick-x/>



# **THRUSTMASTER®**



# **SIMTASK FARMSTICK**

**XBOX SERIES X|S – PC**

**ユーザーズマニュアル**



本製品を取り付ける前、使用する前、およびメンテナンスする前に、このマニュアルに記載されている指示をよくお読みください。安全に関する注意事項を必ず守ってください。これらの指示に従わない場合、事故や破損の原因となります。このマニュアルは、後で参照できるように保管しておいてください。

# 目次

1.	パッケージ内容.....	5
2.	特長.....	6
3.	使用に関する情報.....	9
4.	お使いのジョイスティックについてもっとよく知る.12	
	キーポイント.....	12
	<i>H.E.A.R.T. (HallEffect AccuRate Technology) 高</i>	
	<i>精度テクノロジー.....</i>	13
	<i>ドライブモード &lt;&gt; 作業モード.....</i>	14
	<i>回転ハンドル.....</i>	17
	<i>「視点」ミニスティック.....</i>	18
	<i>SimTask FarmStick の Xbox Series X/S* および</i>	
	<i>PC*への接続.....</i>	19
	<i>右利き用と左利き用のジョイスティック構成.....</i>	21



5.	XBOX SERIES X S への取り付け.....	24
6.	XBOX マッピング .....	26
7.	PC で使用する.....	29
8.	PC マッピング .....	31
9.	スロットル .....	34
10.	交換可能なトリガー.....	35
11.	TFRP ラダー**を備えた XBOX SERIES X S* または PC* への取り付け.....	37
12.	FAQ とテクニカルサポート.....	39

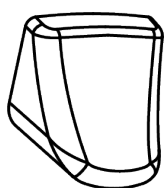
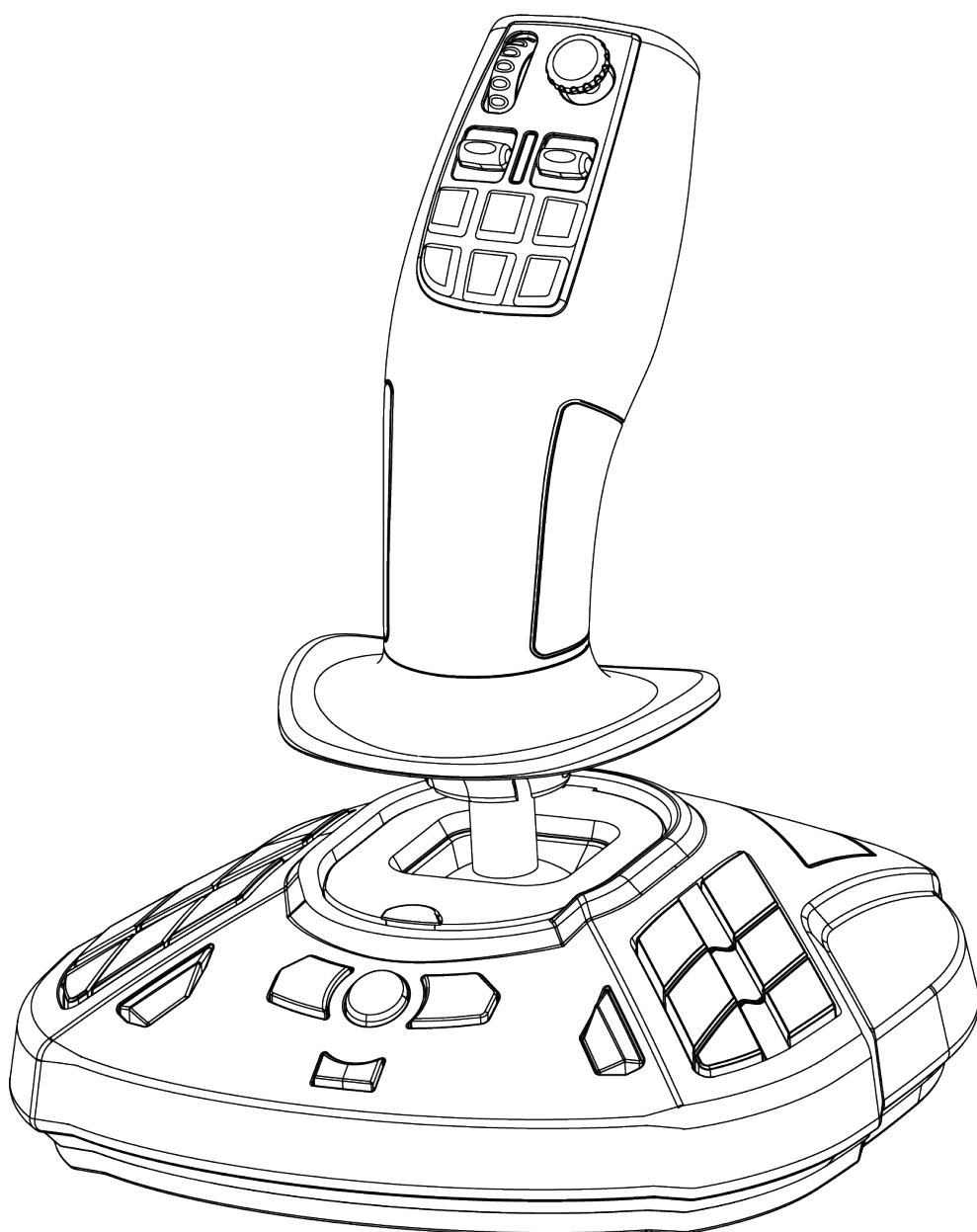


Thrustmaster の SimTask FarmStick は、農業や建設機械シミュレーションの操作に最適なデバイスです。さらに、フライトシミュレーター用のジョイスティックとしてもご利用いただけます。

このマニュアルは、SimTask FarmStick を最適な条件で設置および使用するのに役立ちます。離陸の前に、説明書と警告をよく読んでください。これらの情報は、製品の楽しさを最大限に引き出すために役立ちます。

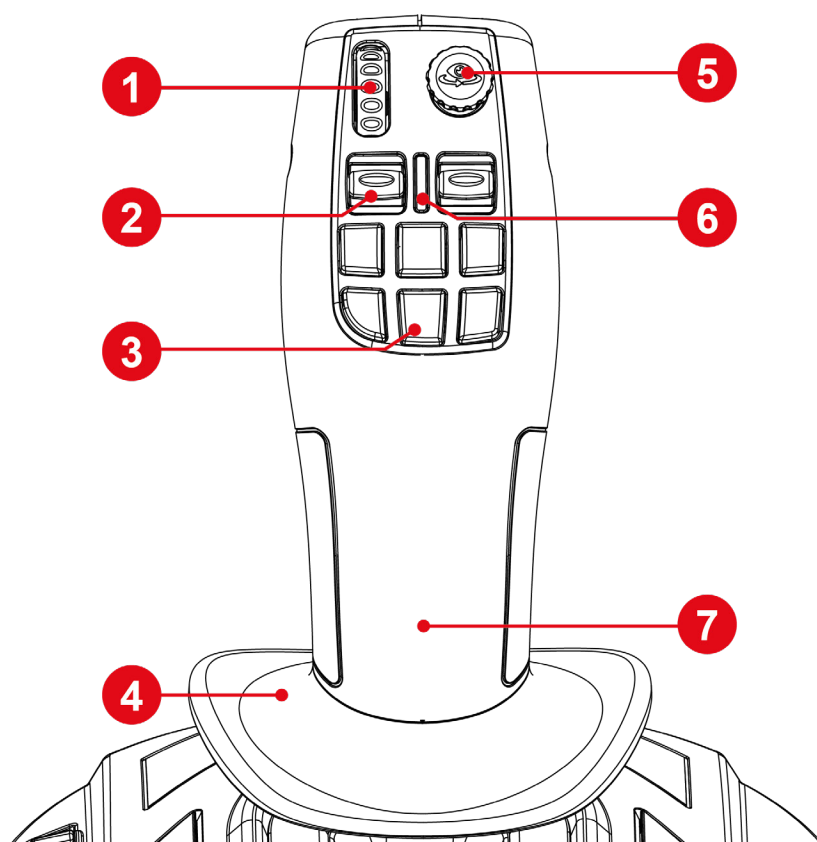


# 1. パッケージ内容

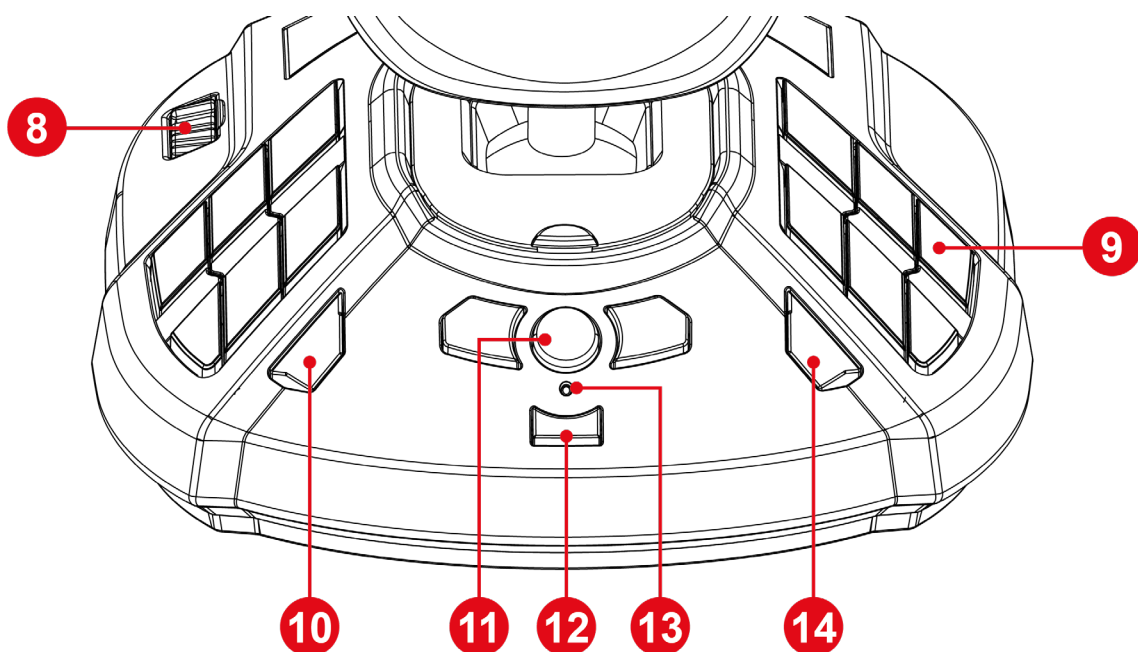




## 2. 特長



1. サムホイール
2. ロッカースイッチ
3. クイックアクションボタン
4. ハンドレスト
5. 「視点」ミニスティック
6. スティックモードインジケータ LED
7. 両手利き対応ハンドル



8. スロットル

9. プログラミング可能なアクションボタン

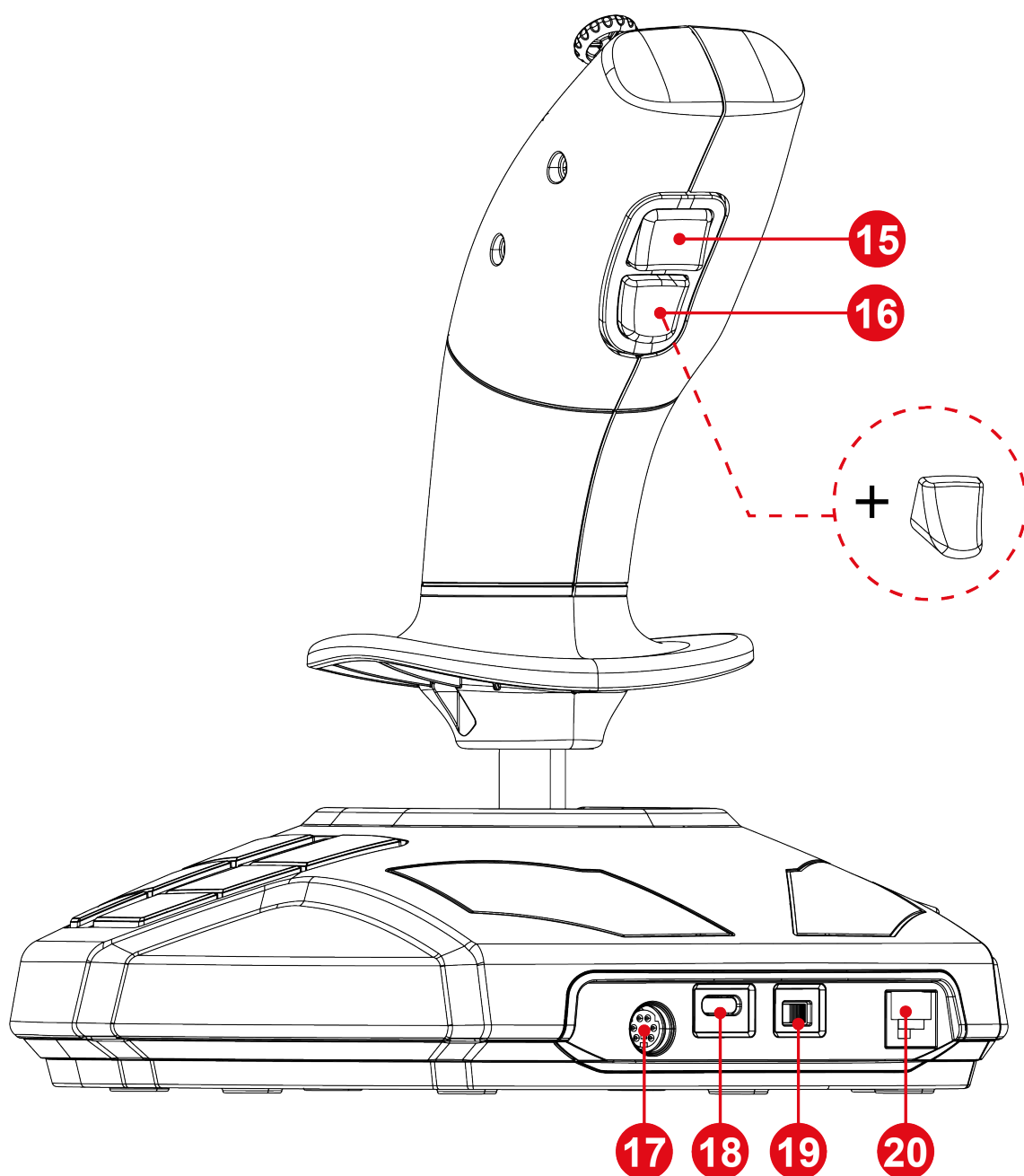
10. View (表示) ボタン

11. Xbox ボタン

12. Share (シェア) ボタン

13. インジケータランプ

14. Menu (メニュー) ボタン



- 15. スティックモード変更ボタン
- 16. 交換可能なアクショントリガー
- 17. 追加アクセサリ用 DIN ポート\*
- 18. USB-C ポート
- 19. Xbox/PC セレクター
- 20. TFRP ラダー用 RJ12 ポート\*

\*別売品



### 3. 使用に関する情報



#### ドキュメント

本製品をお使いになる前に、このドキュメントをもう一度よくお読みになり、後で参照できるように保管しておいてください。



## 感電

- 本製品は湿気・ホコリの多い場所や、直射日光のあたる場所で保管しないでください。
- 続手順に正しくしたがってください。
- コネクターやケーブルを、ねじったり引っ張ったりしないでください。
- 本製品やコネクターをぬらさないでください。
- 本製品をショートさせないでください。
- 分解や改造は絶対にしないでください。本製品を火の中に投棄したり、高温にさらしたりしないでください。
- 本体を分解しないでください。内部にはユーザーが保守可能な部品はありません。修理はメーカー、指定修理業者、あるいは資格を有する技術者までご依頼ください。





### プレイエリアの安全確保

- プレイエリア内には、ユーザーの操作を妨害する可能性がある物や、第三者による不適切な動作や干渉を引き起こすような物（コーヒーカップ、電話、鍵など）を置かないでください。
- 電源ケーブルをカーペットやラグ、毛布、カバーなどで覆ったり、人が歩く場所に置いたりしないでください。



## 4. お使いのジョイスティックについてもっとよく知る

### キーポイント

- サムホイールと 2 つのロッカースイッチを含む、33 個のボタンと 6 個の仮想ボタン
- 6 軸（ミニスティックとジョイスティックのハンドルの回転およびスロットルを含む）
- スティックモードインジケータ LED
- H.E.A.R.T. テクノロジー（HallEffect AccuRate Technology）
- USB-A ポートへの接続
- スロットル
- TFRP ラダー用 RJ12 ポート\*

\*別売品



## *H.E.A.R.T. (HallEffect AccuRate Technology)*

### 高精度テクノロジー

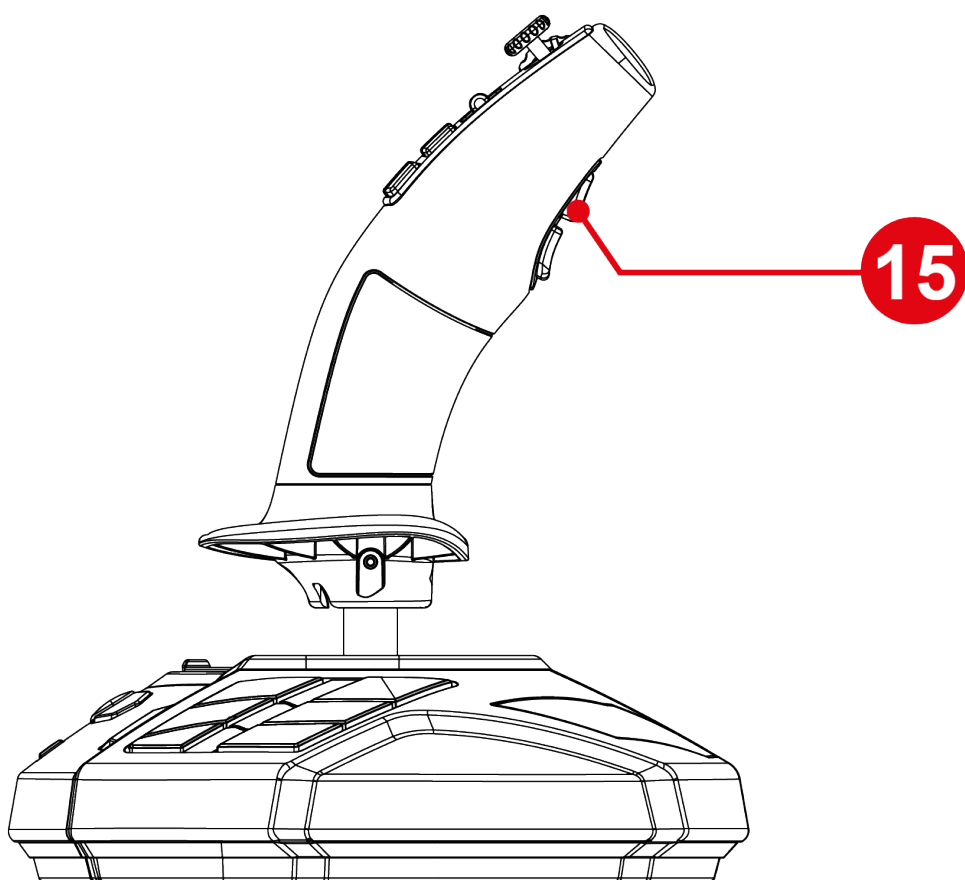
SimTask FarmStick は、ゲームジョイスティックの世界で類を見ない、圧倒的な精度を提供する以下のテクノロジーを備えています:

- スティックには 3D (Hall エフェクト) 磁気センサーが搭載されており、X 軸と Y 軸の全範囲で 2 億 6,800 万以上の解像度 (16,384 x 16,384 値) を提供します。
- 磁石: 摩擦がないため、高い精度とレスポンスが永久的に持続
- スティック上にコイルスプリング (2.8 mm) を配置: 安定した超なめらかなテンション



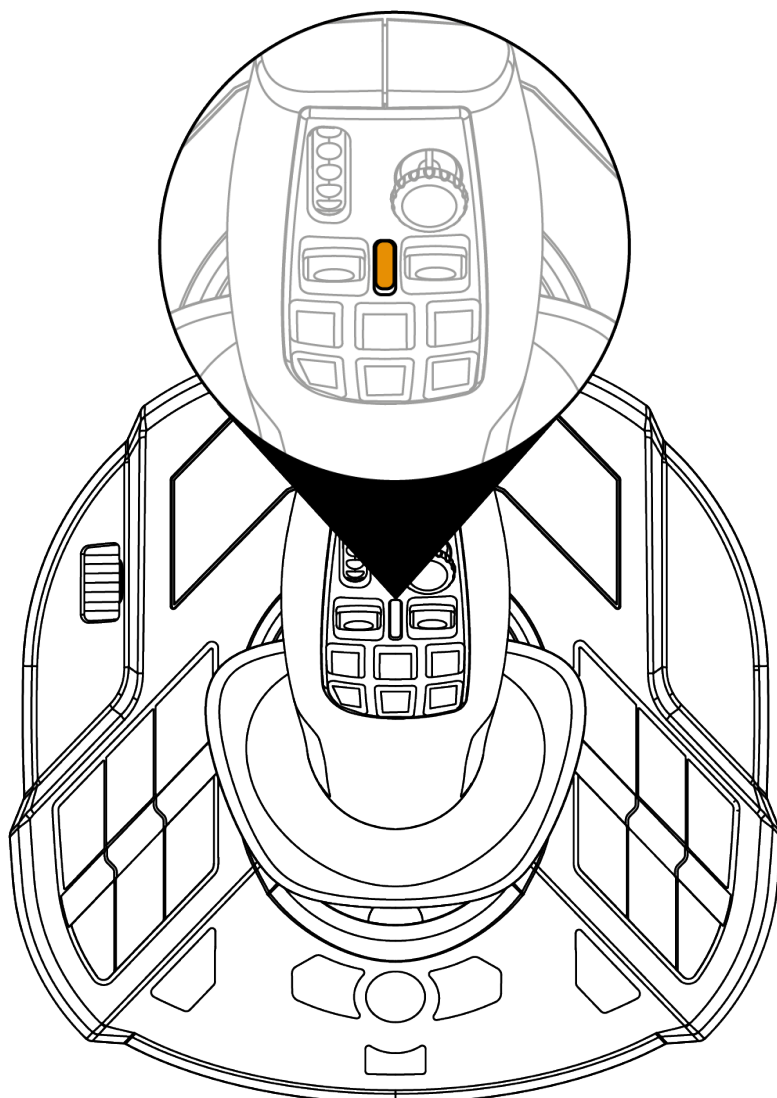
## ドライブモード ⇄ 作業モード

ボタン ⑮ で運転モードから作業モード、またはその逆に切り替えることができます。



この機能により、親指で操作できるアクション、つまりサムホイール ① と 2 つのロッカースイッチを使って行える操作の範囲が広がります ②。

モードを変更すると、サムホイール ① と 2 つのロッカースイッチ ② に関連付けされたアクションが変更されます。



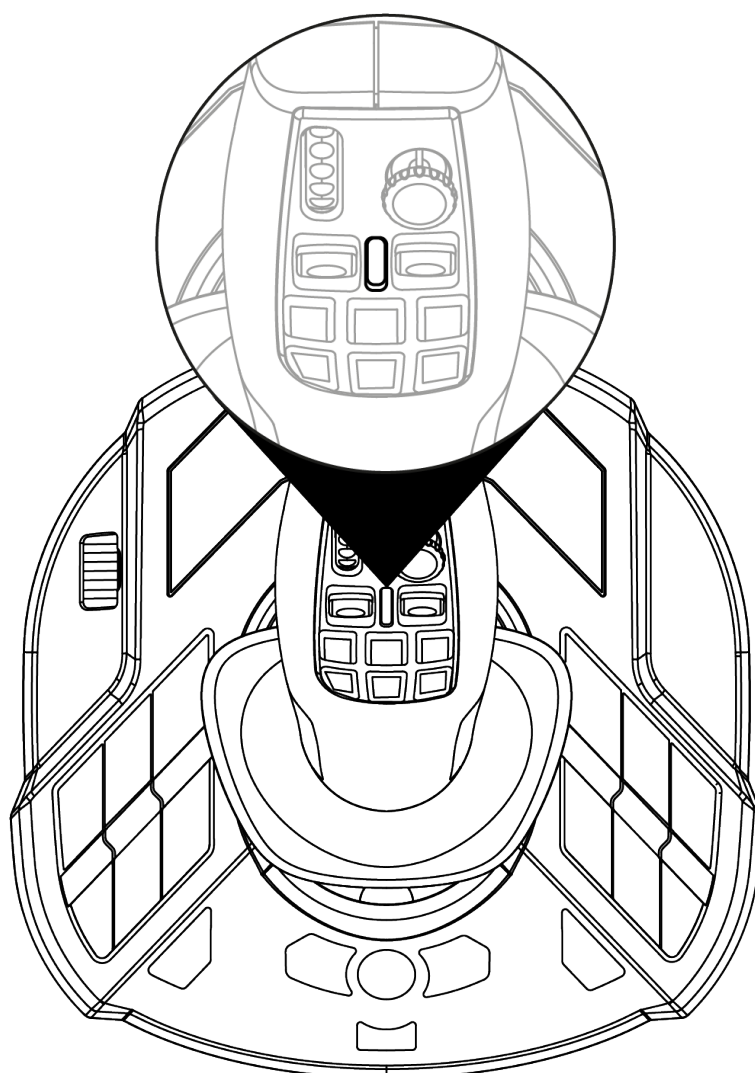
### ドライブモード (デフォルト)

ドライブモードでは、スティックモードのインジケータ LED ⑥ がオレンジ色に点灯します。



運転モードでは、サムホイール ①、およびロッカースイッチ ② に関連付けされたアクションは以下のようになります:

- サムホイール: レギュレーターセットポイントの制御
- ロッカースイッチ: ギアボックスの管理



## 作業モード

作業モードでは、スティックモードのインジケータ LED ⑥が白色に点灯します。



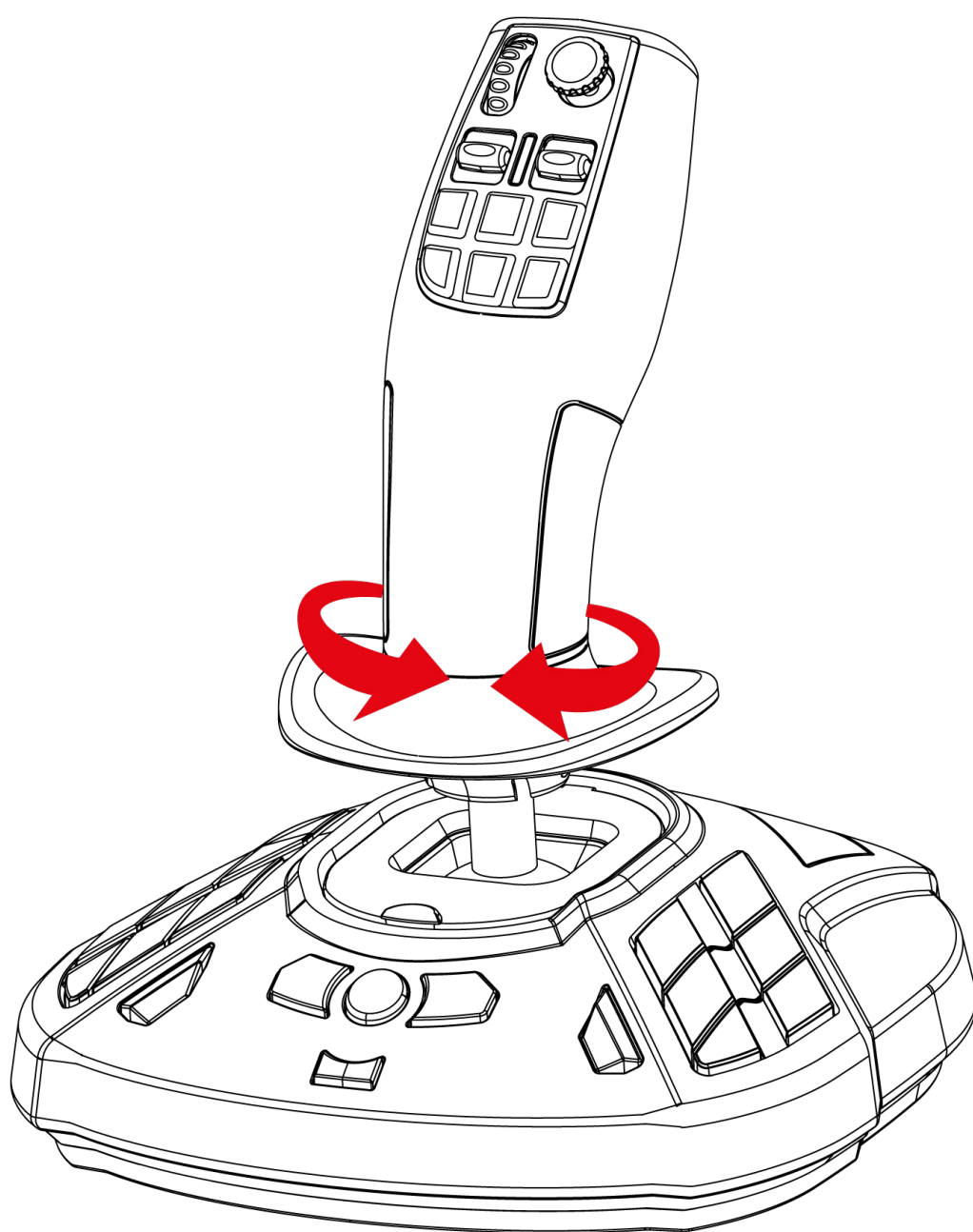
作業モードでは、サムホイール ①、およびロッカースイッチ ② に関連付けされたアクションは以下のようになります:

- サムホイール: カメラのズーム操
- ロッカースイッチ: クレーンのアームやローダーの制御



## 回転ハンドル

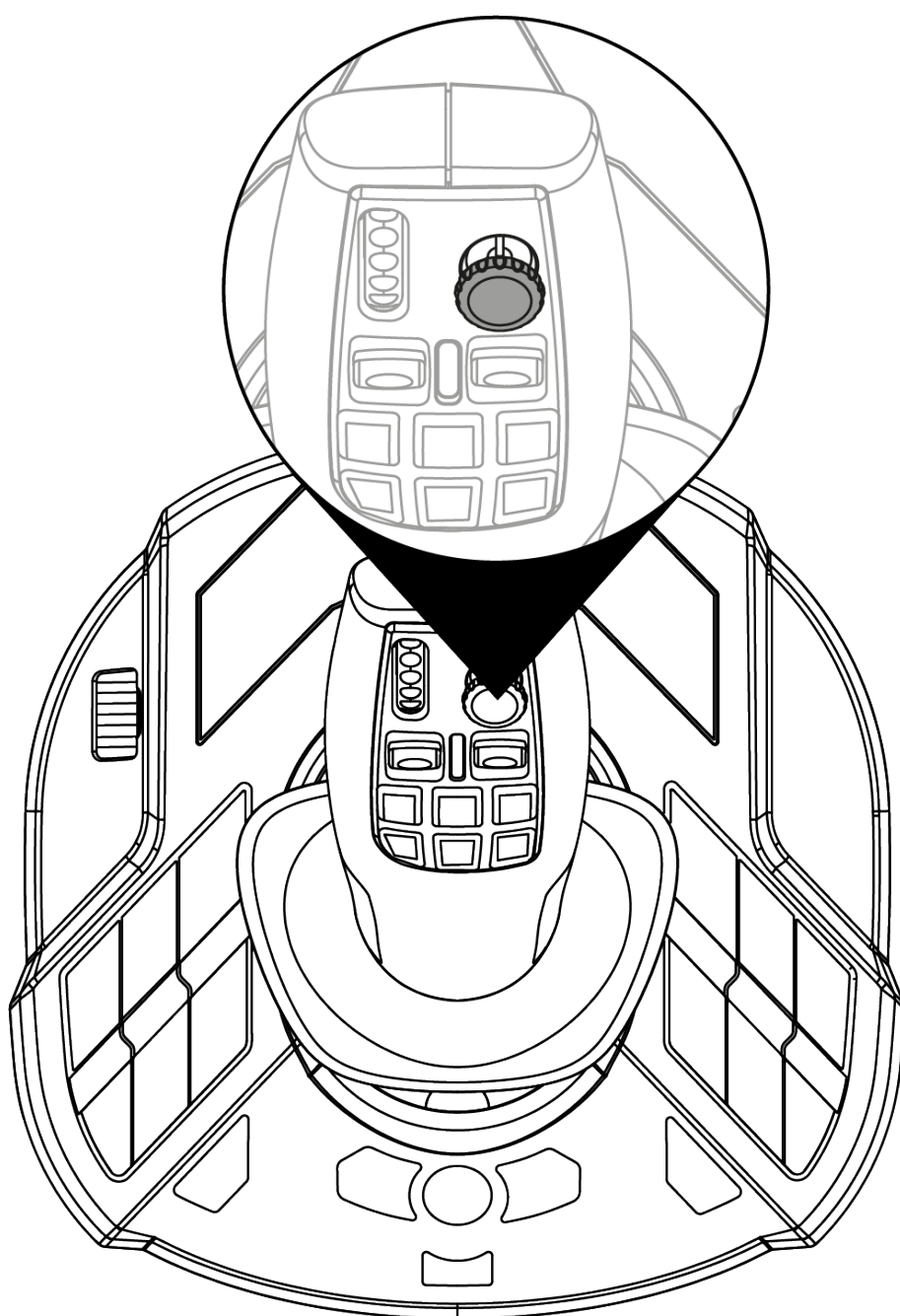
SimTask FarmStick は、水平軸を中心に回転するハンドルを備えています。これは、たとえばクレーンのヘッドや掘削機を操作する際に便利です。





## 「視点」ミニスティック

SimTask FarmStick は、「視点」ミニスティック ⑤ を搭載しており、機械オペレーターと同じ視点での操作が可能になっています。







## SimTask FarmStick の Xbox Series X/S\* および PC\*への接続

SimTask FarmStick には 6 軸が搭載されていますが、ジョイスティックの背面に TFRP\*\* ラダーを接続するオプションもあります。これにより、2 本の追加軸と TFRP によるラダーコントロールが可能になります。

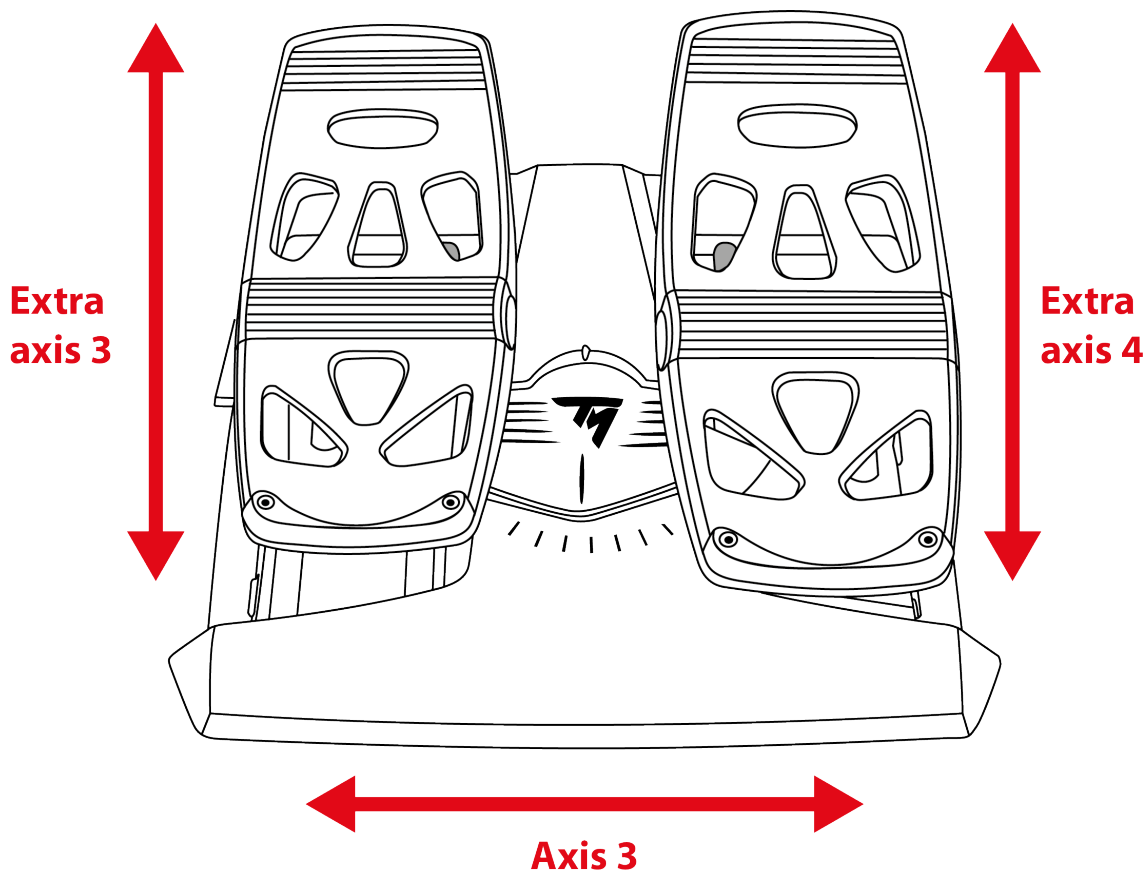


TFRP ラダーは、Xbox Series X|S および PC でサポートされている唯一のデバイスです。

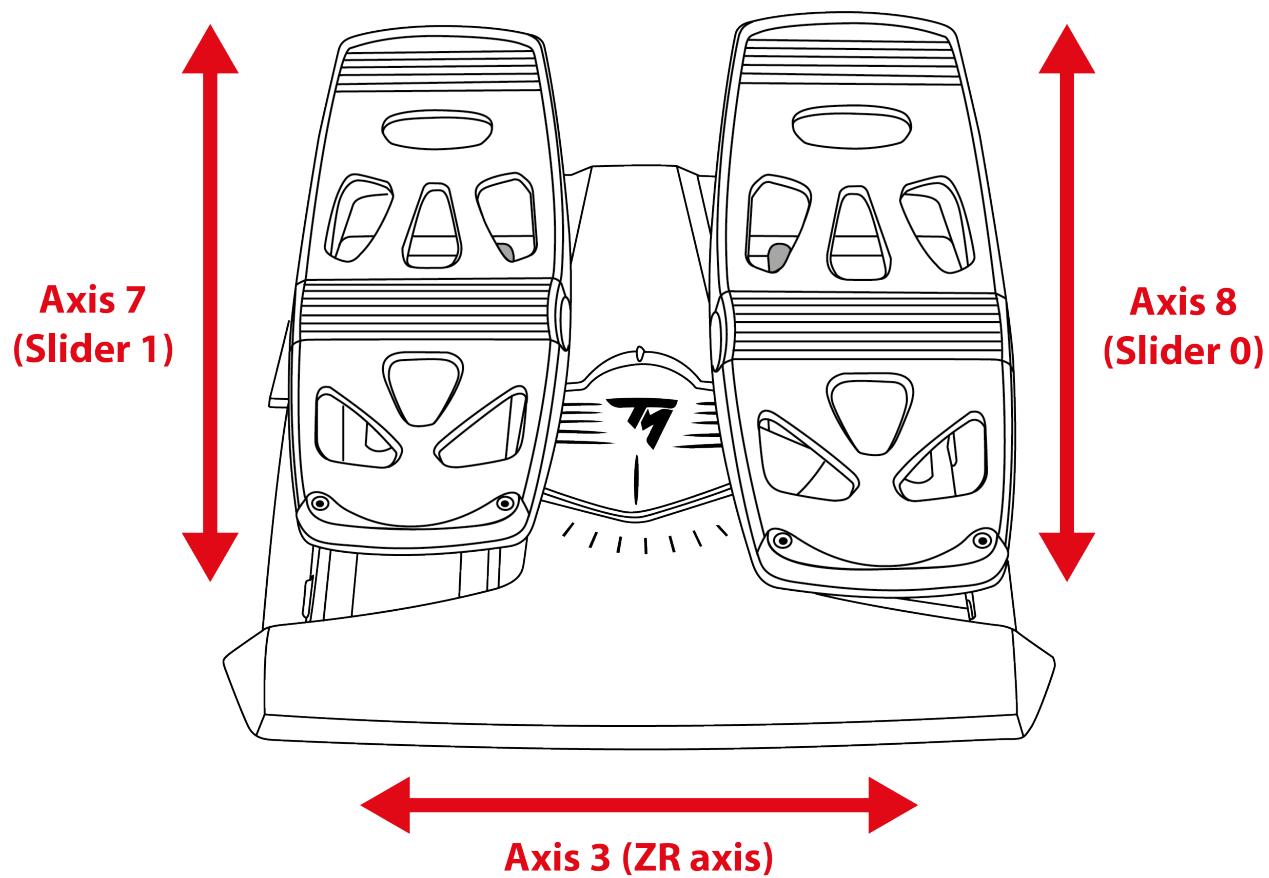
\*付属していません / \*\*別売品



Xbox 用マッピング:



PC 用マッピング:





## 右利き用と左利き用のジョイスティック構成

SimTask FarmStick は両手利き対応設計であり、右利き・左利きを問わず、すべてのプレイヤーにシームレスに適応します。

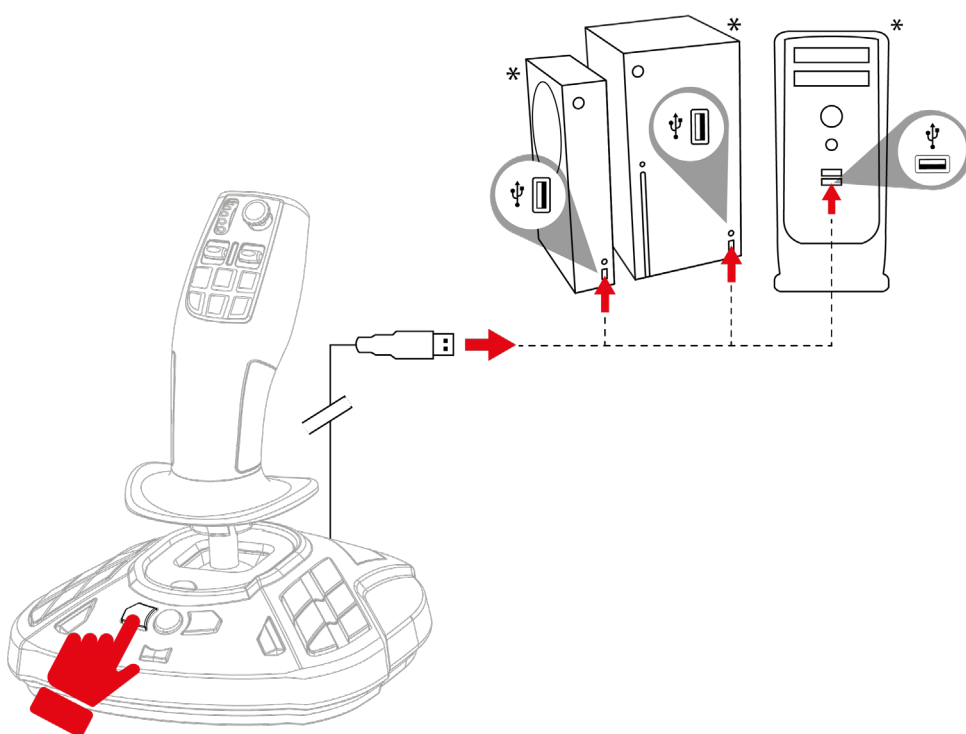
デフォルトでは、ジョイスティックは右利きモードに設定されています。



ジョイスティックを左利きモードに設定するには:

1. SimTask FarmStick を Xbox Series X|S または PC に接続する際には、ボタン 14 (PC 用) または Prev (Xbox Series X|S 用) を押し続けてください。

LED スティックのインジケータランプ ⑥ が白色で 5 秒間点滅します。



2. ボタン 14 (PC の場合) または Prev (Xbox Series X|S の場合) から指を離します。



左利きモードは、SimTask FarmStick の内部メモリに自動的に保存されます。

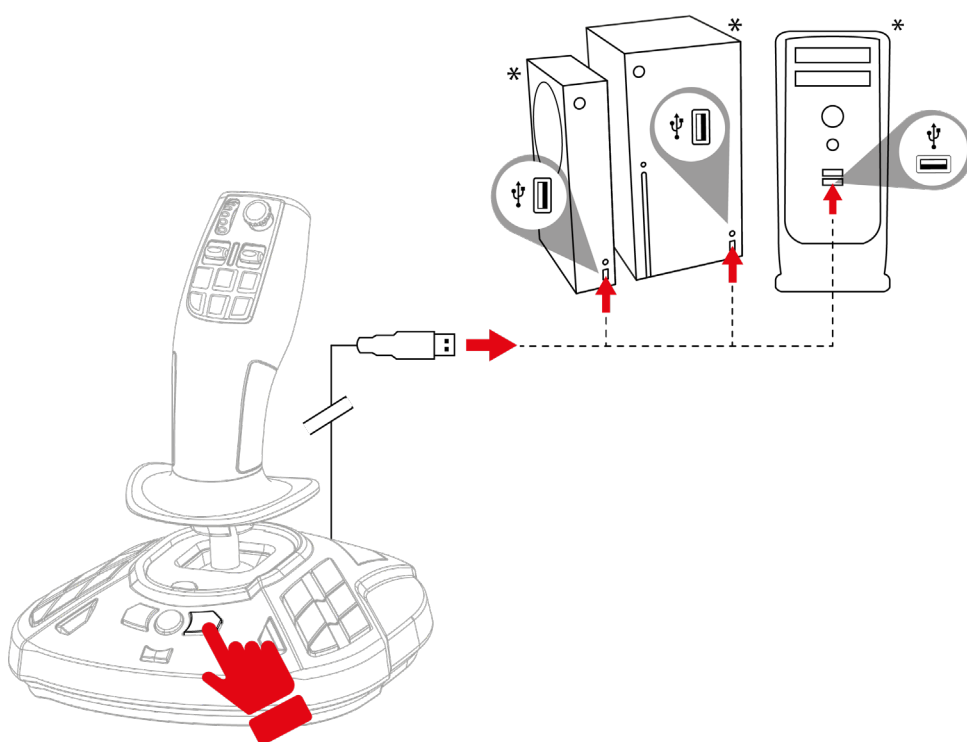
\*付属していません



ジョイスティックを右利きモードにリセットするには:

1. SimTask FarmStick を Xbox Series X|S または PC に接続する際には、ボタン 16 (PC 用) または Next (Xbox Series X|S 用) を押し続けてください。

LED スティックのインジケータランプ **⑥** がオレンジ色で 5 秒間点滅します。



2. ボタン 16 (PC の場合) または Next Xbox Series X|S の場合) から指を離します。



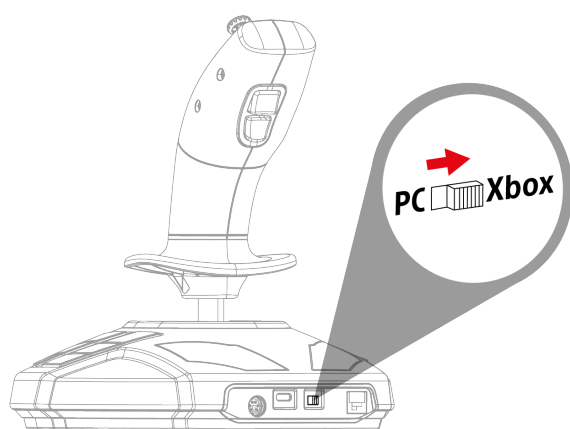
右利きモードは、SimTask FarmStick の内部メモリに自動的に保存されます。

\*付属していません

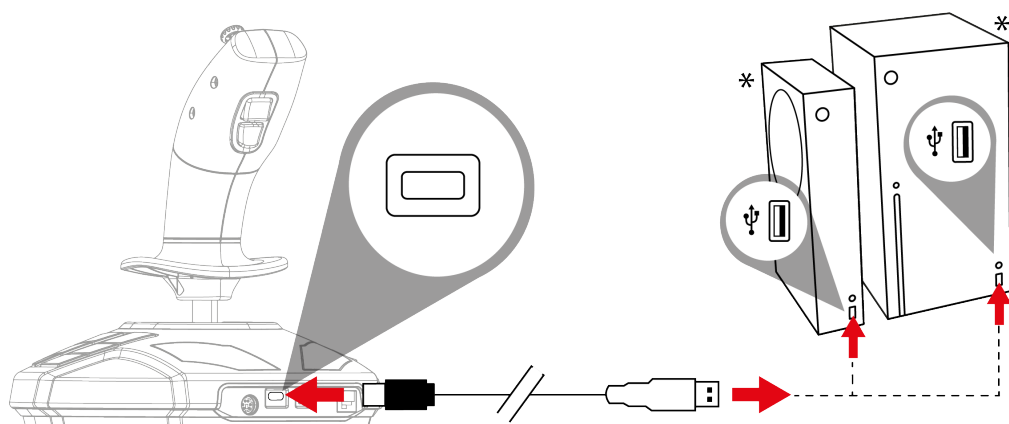


## 5. Xbox Series X|S への取り付け

1. ジョイスティック背面のスイッチ ⑱ を Xbox のポジションに合わせます。



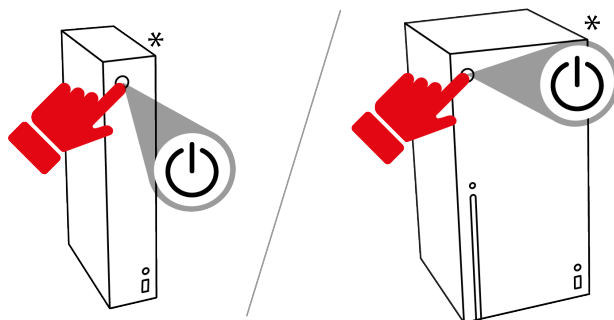
2. USB-C - USB-A ケーブルを、ジョイスティックの USB-C ポート ⑲ とゲーム機\* のいずれかの USB-A ポートに差し込みます。



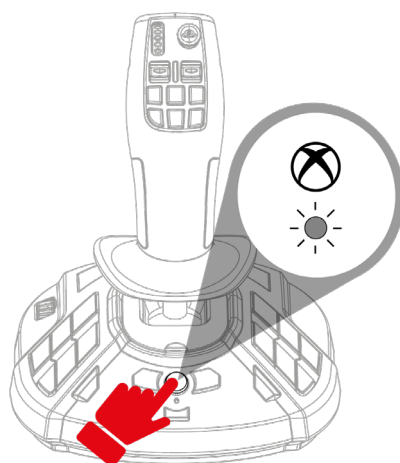
\*付属していません



3. ゲーム機本体の電源を入れます。



4. Xbox ボタンを押します。ジョイスティックのインジケータランプが白く光ります。



5. 互換性のあるゲームを起動します。

これでプレイの準備ができました！

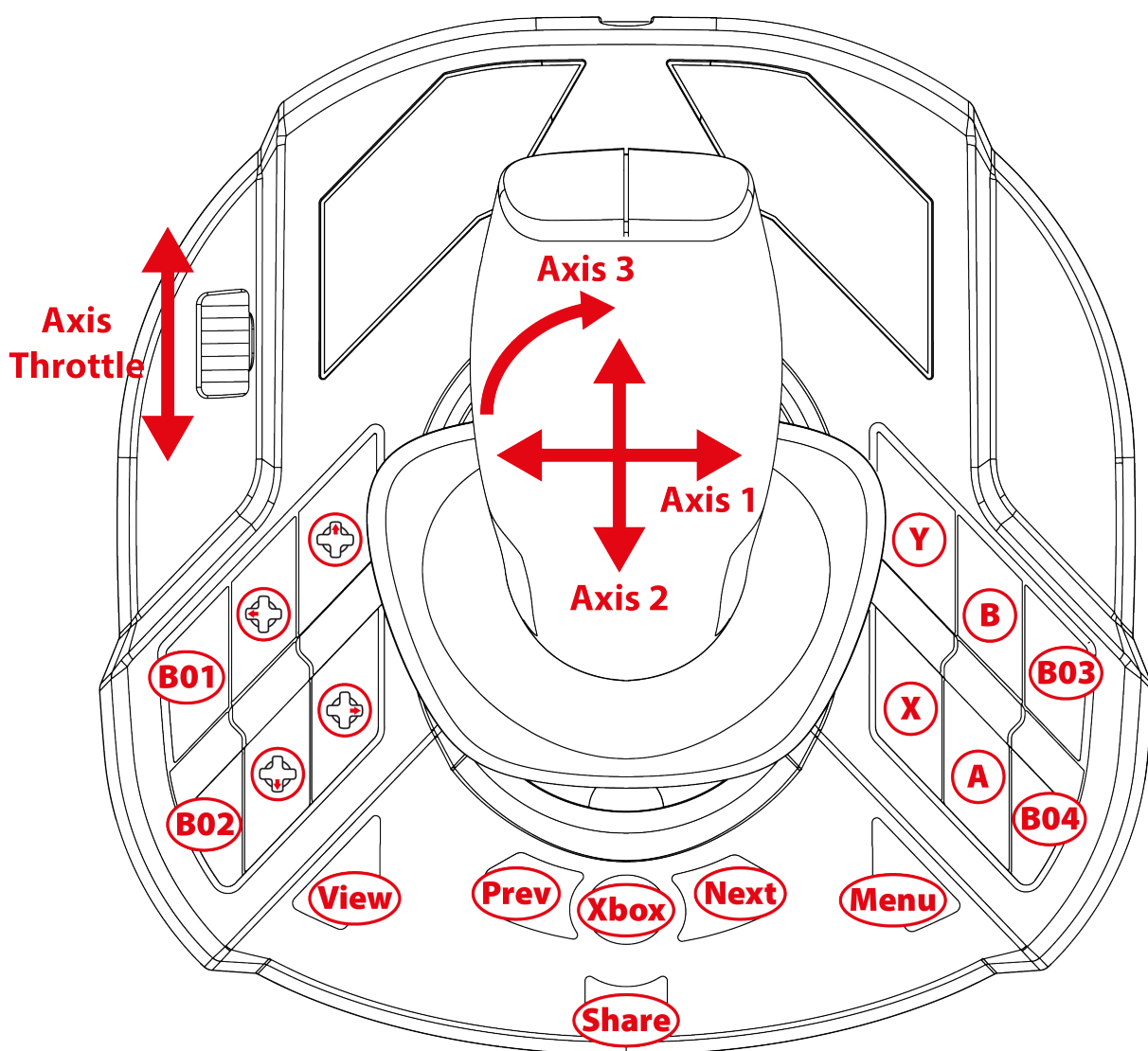


ジョイスティックを接続するときは、キャリブレーションの問題を避けるため、ハンドルを動かしたり回転させたりせず、常に中央の位置に保ってください。

\*付属していません



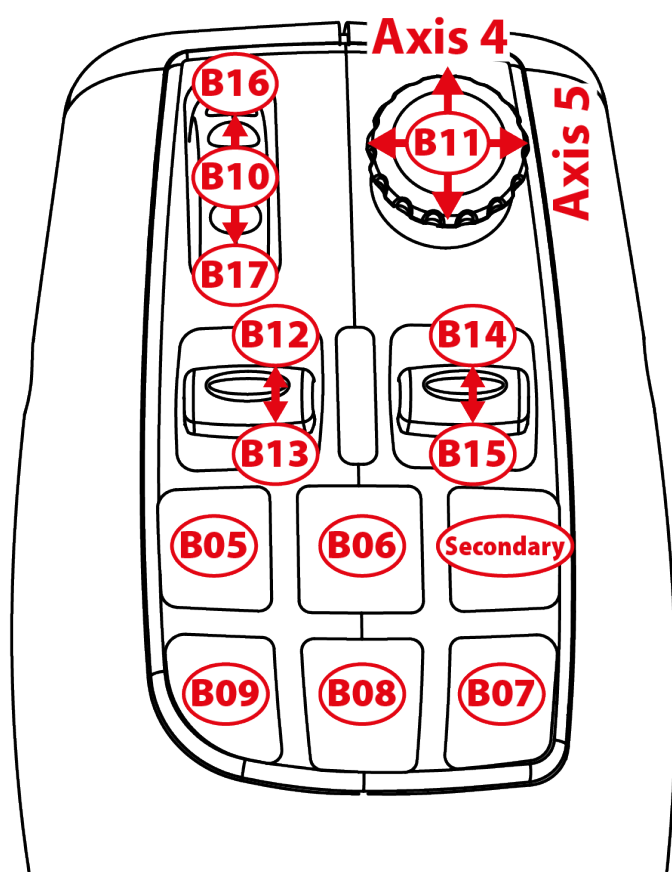
## 6. XBOX マッピング



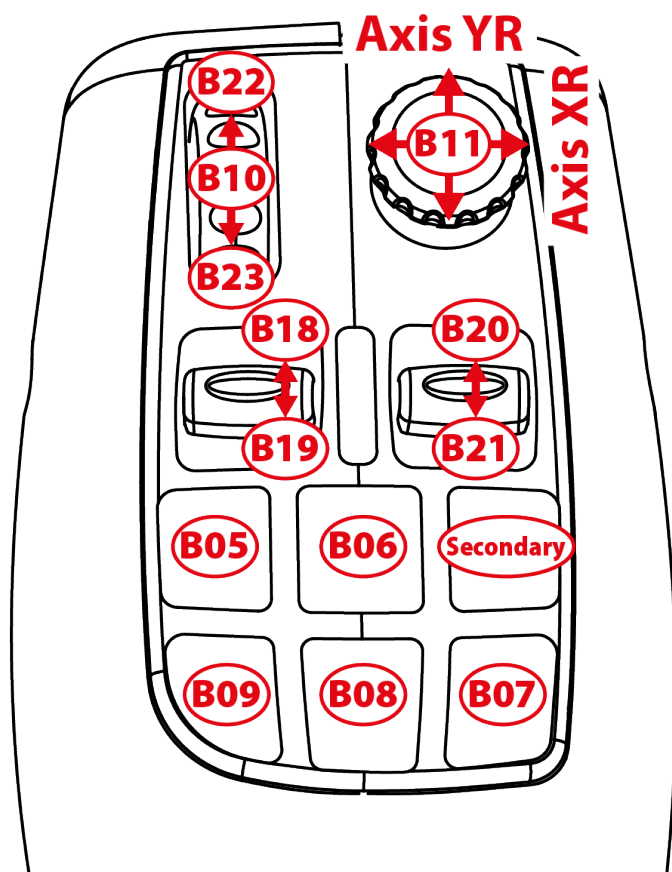
マッピングは、右利きモードでも左利きモードでも同じです。

**以下**の手順で右利き（デフォルト）/左利きモードを選択できます。2本のジョイスティックを同時に使用する際、このモードによりそれぞれが区別しやすくなります。

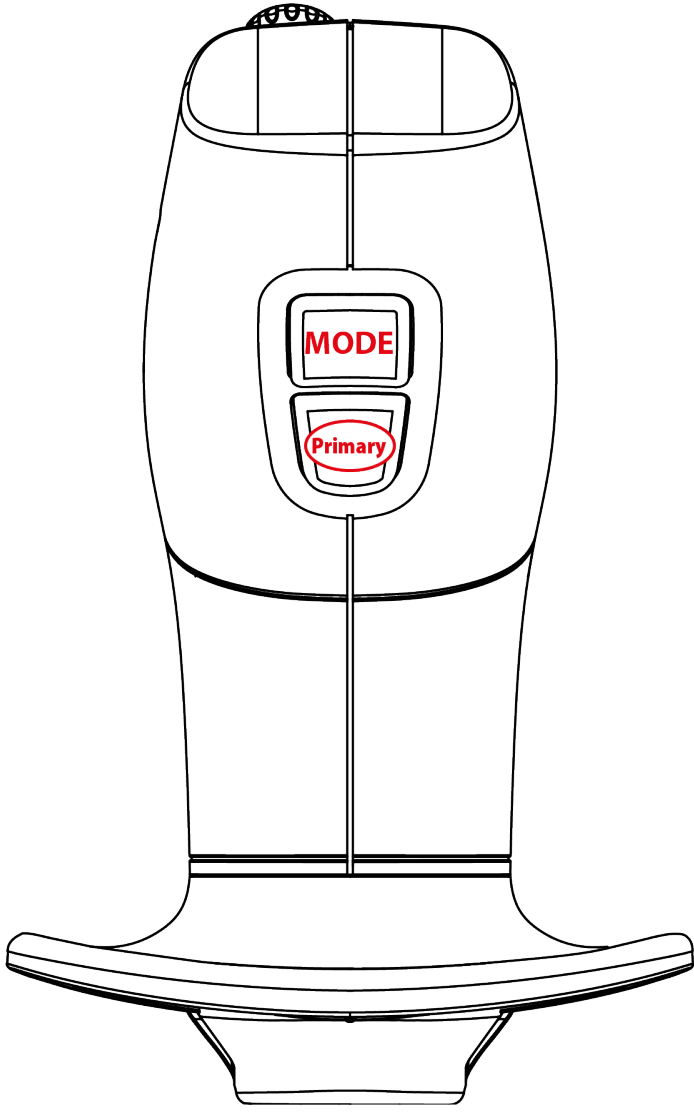




ドライブモード



作業モード



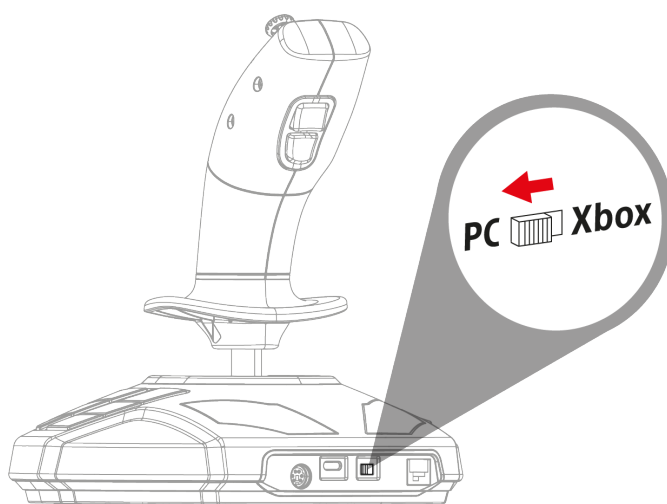


## 7.PC で使用する

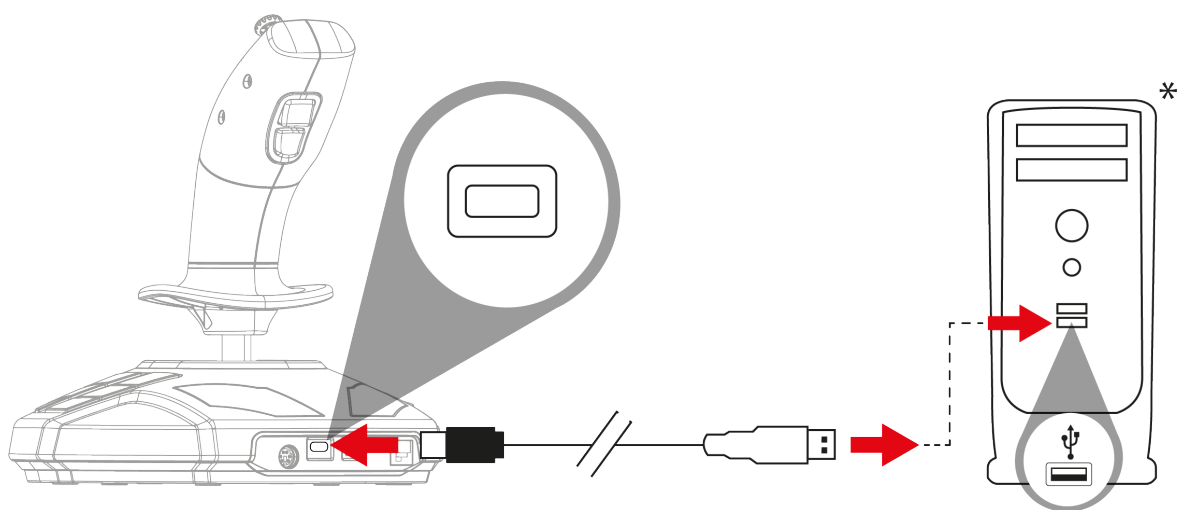
1. 以下にアクセスしてください:

<https://support.thrustmaster.com/product/simtask-farmstick-x/>.

2. PC 用ドライバと、Windows コントロールパネル用のカスタムインターフェイスをダウンロードしてインストールします。
3. 「PC 用ドライバをインストールしたら、ジョイスティック背面のスイッチ ⑱ を PC のポジションに設定します。



4. USB-C - USB-A ケーブルを、ジョイスティックの USB-C ポート ⑲ と PC\* の USB-A ポートのいずれかに差し込みます。



\*付属していません



5. [スタート] - [設定] - [コントロールパネル] をクリックし、  
[ゲームコントローラー] をダブルクリックします。[ゲームコ  
ントローラー] ダイアログボックスにジョイスティックの名前  
と「OK」ステータスが表示されます。
6. コントロールパネル ウィンドウで [プロパティ] をクリックし、  
すべての機能をテストして表示します。右利きモード（デフ  
ォルト）または左利きモードを選択することもできます。

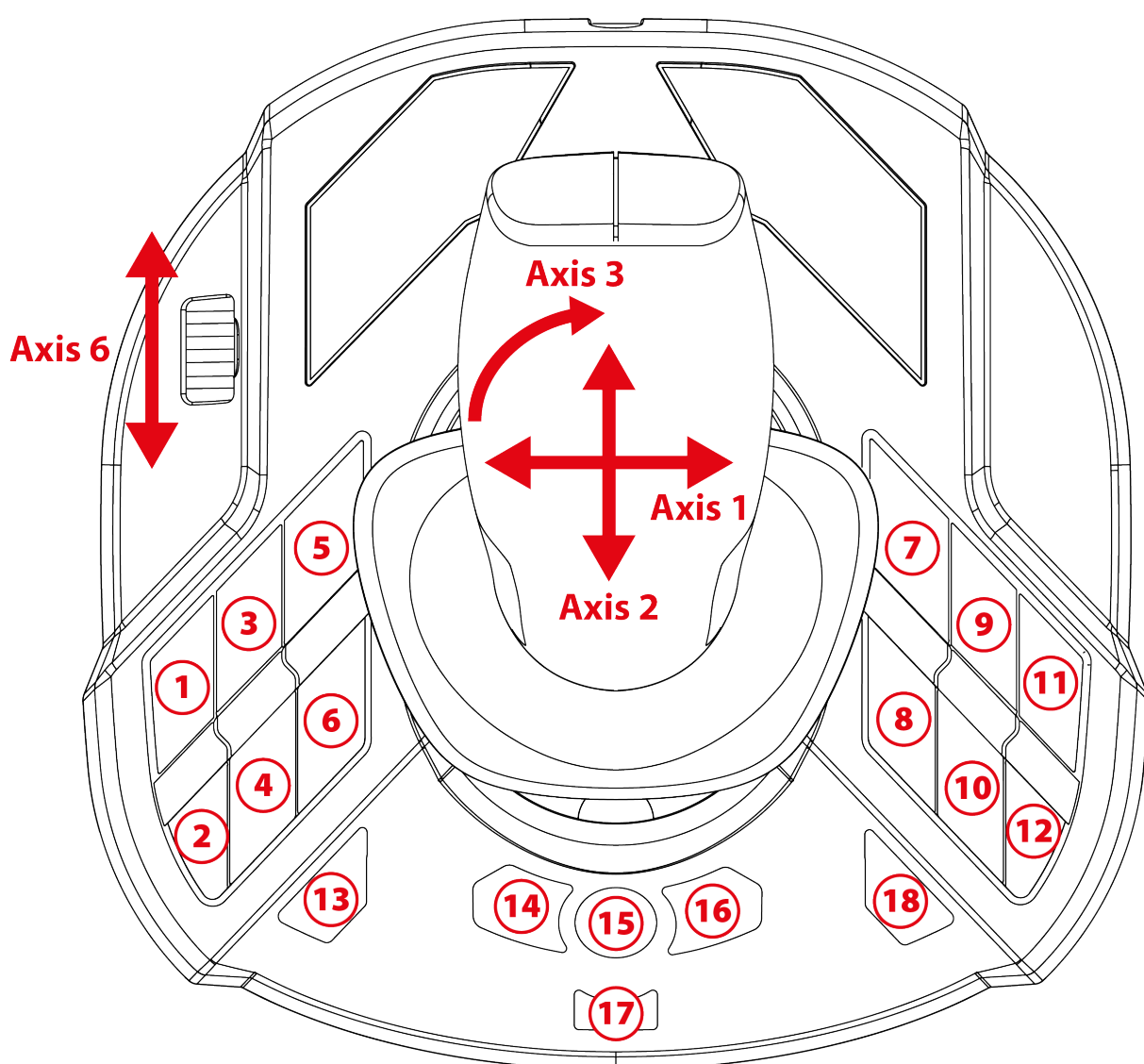
これでプレイの準備ができました！



ジョイスティックを接続するときは、キャリブレーションの問題を避けるため、ハンドルを動かしたり回転させたりせず、常に中央の位置に保ってください。

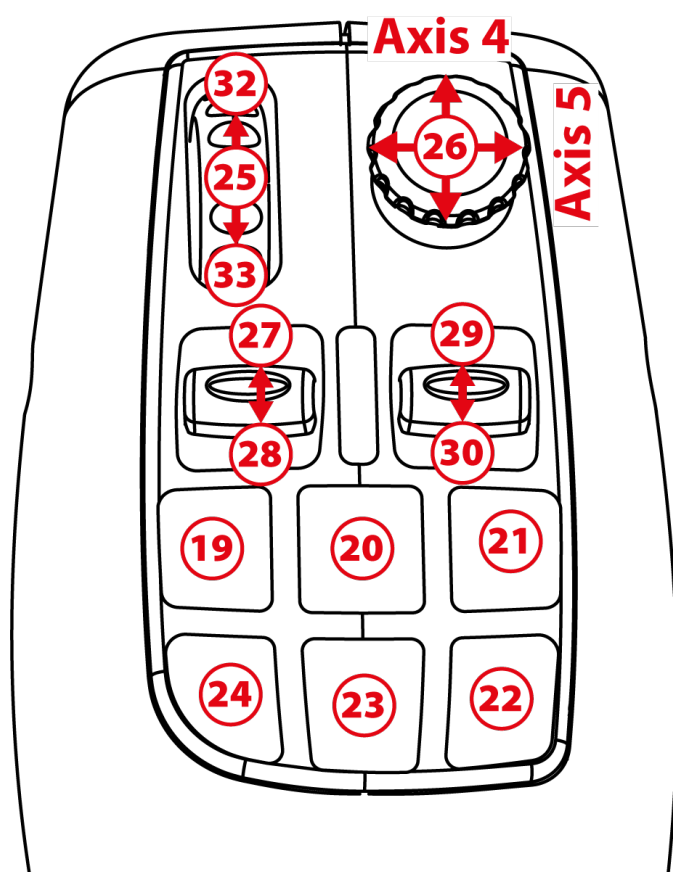


## 8. PC マッピング

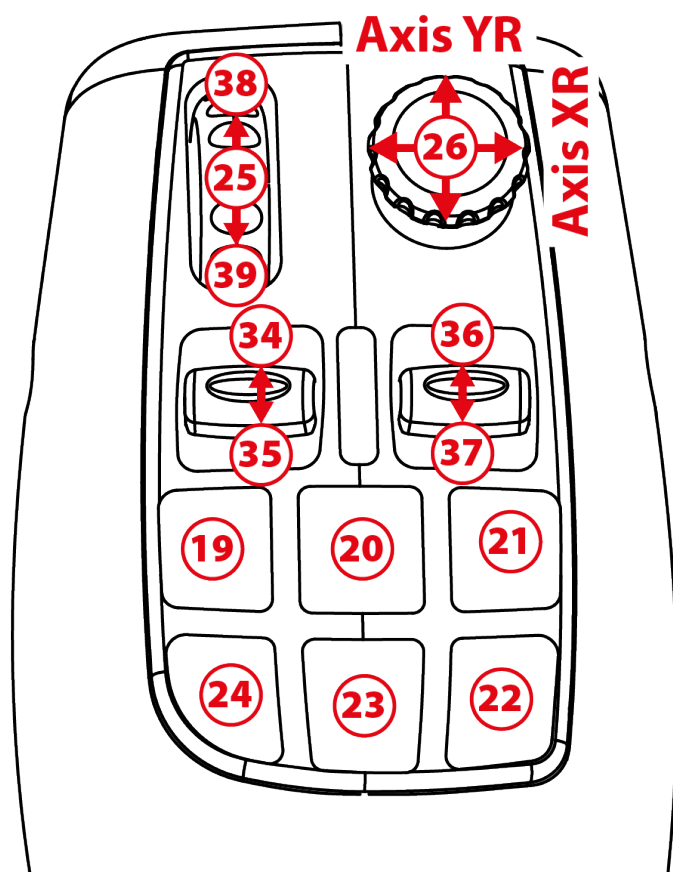


マッピングは、右利きモードでも左利きモードでも同じです。

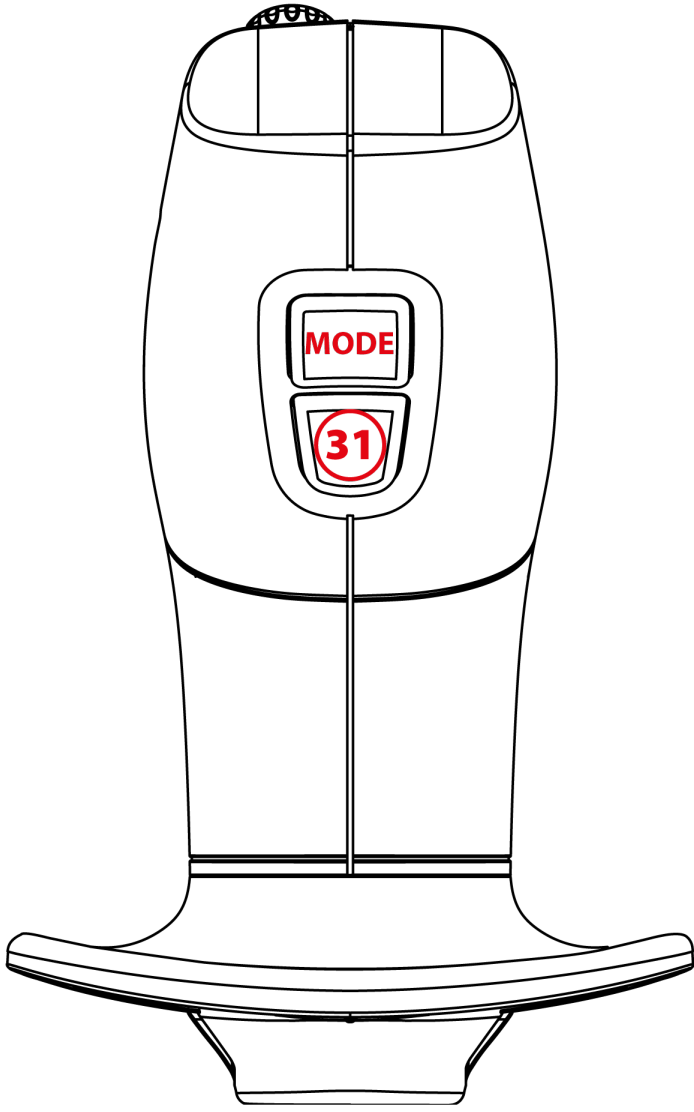
右利き (デフォルト)/左利きモードは、**以下**の手順または**コントロールパネル**で選択できます。2本のジョイスティックを同時に使用する際、このモードによりそれぞれが区別しやすくなります。



ドライブモード



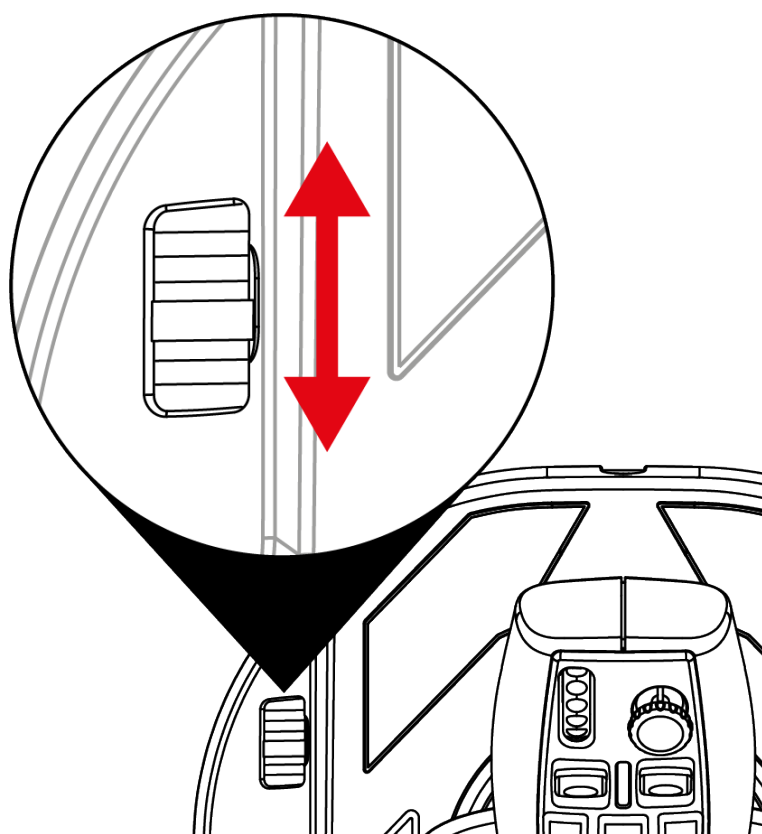
作業モード





## 9. スロットル

ジョイスティックには、エンジンスピードを簡単に制御できるスロットル ⑧ が搭載されています。



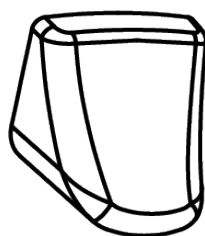




## 10. 交換可能なトリガー

ジョイスティックには交換可能なアクショントリガー ⑩ が搭載されており、ゲームに応じて最適な操作感を実現します。

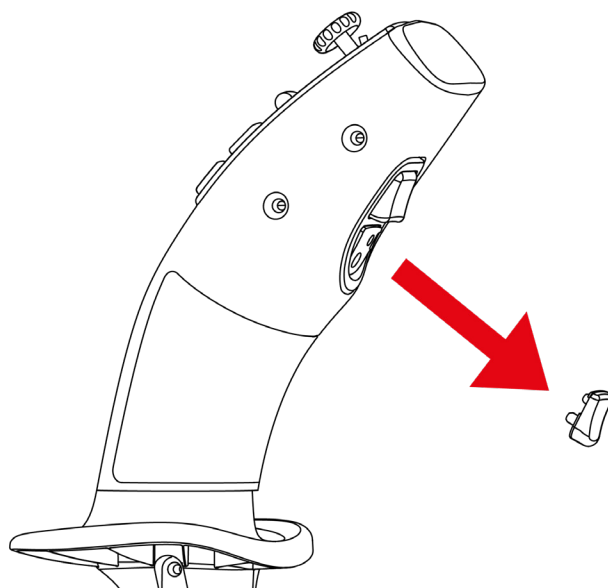
デフォルトで取り付けられているトリガーは、フライトシミュレーター向けのトリガー (SimTask FarmStick に同梱) に交換することができます。



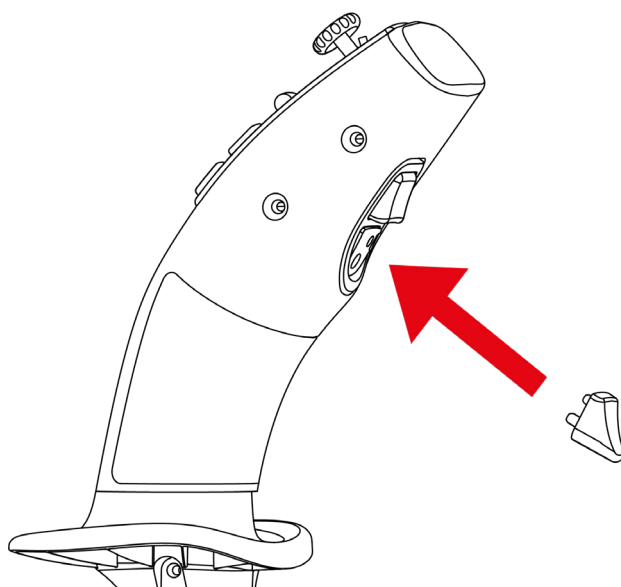


トリガーを変更するには:

1. トリガーの両側に指を置き、慎重に引っ張ります。



2. 新しいトリガーを適切な取り付け位置に挿入します。



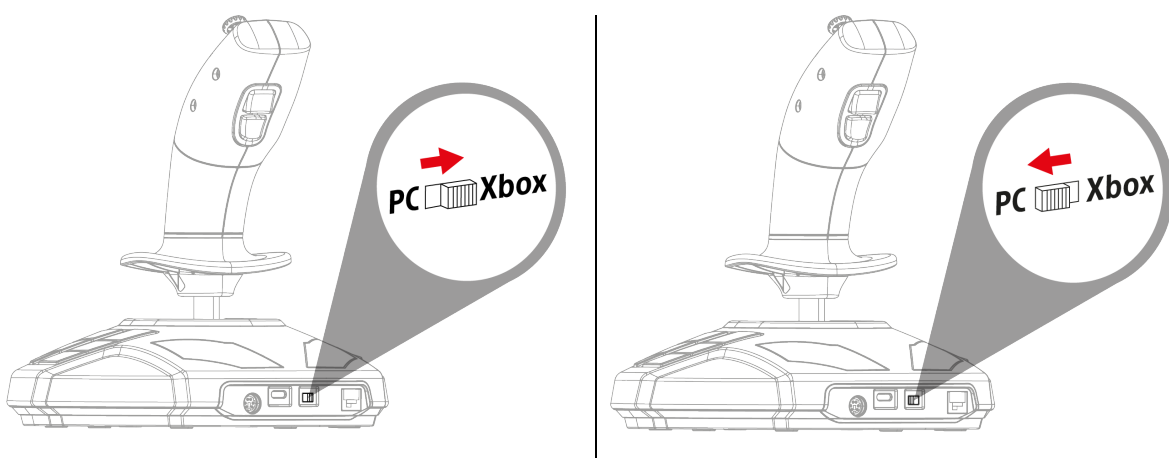
センタリングピンは、スティックの所定の位置にしっかりと収まるようにしてください。ピンを傷つける恐れがあるため、トリガーを無理に押し込まないでください。



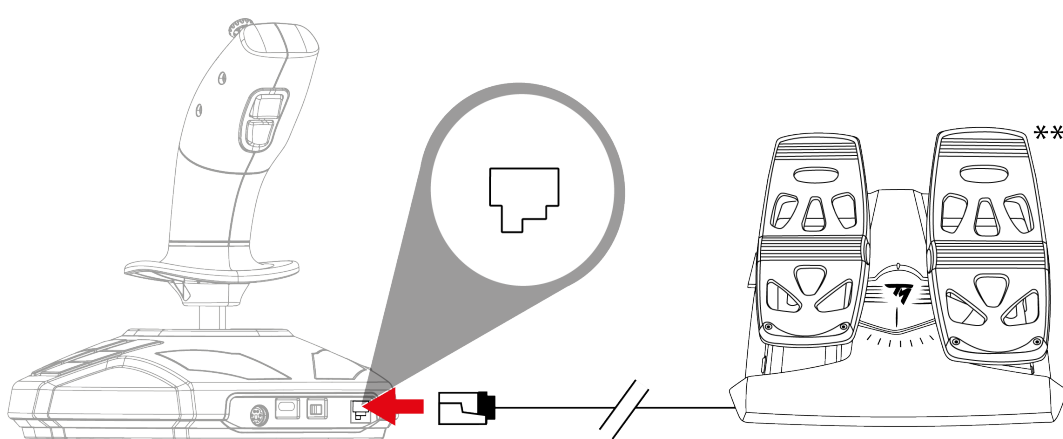
## 11. TFRP ラダー\*\*を備えた Xbox Series X|S\* または PC\* への取り付け

TFRP\*\* ラダーは SimTask FarmStick に差し込みます。

1. ジョイスティック背面のスイッチ ⑱ を Xbox または PC のポジションに合わせます。



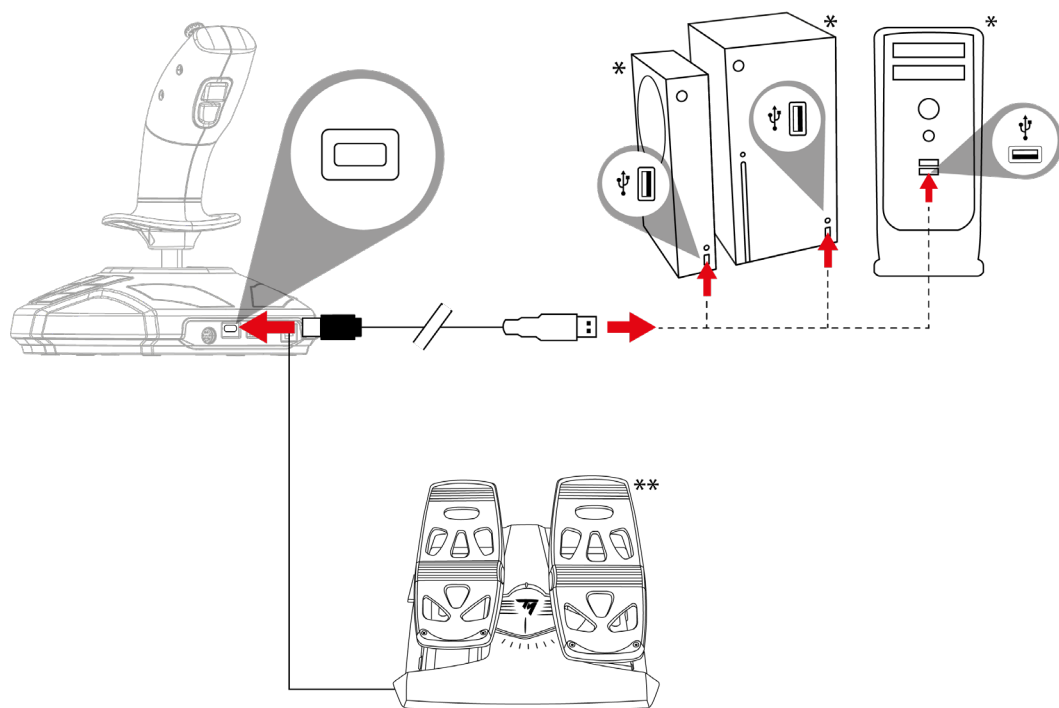
2. TFRP ラダー\*\* の RJ12 ケーブルを、ジョイスティック背面の RJ12 ポート ⑳ に接続します。



\*付属していません / \*\*別売品



3. USB-C - USB-A ケーブルを、ジョイスティックの USB-C ポート ⑱ とゲーム機\* または PC\* の USB-A ポートに差し込みます。



- ジョイスティックを接続するときは、キャリブレーションの問題を避けるため、ハンドルを動かしたり回転させたりせず、常に中央の位置に保ってください。
- ラダーをジョイスティックに接続する際の注意点: キャリブレーションの問題を避けるため、必ずラダーの軸を中央位置に保ち、ラダーペダルに足を置かないようにしてください。

\*付属していません / \*\*別売品



## 12. FAQ とテクニカルサポート

### ジョイスティックが正しく動作しない、または正しく調整されていない

- ゲーム機またはコンピュータの電源をオフにし、ジョイスティックを取り外します。次に、ゲーム機またはコンピュータの電源を再びオンにし、ジョイスティックを再接続してからゲームを再起動します。
- ジョイスティックを接続するときは、キャリブレーションの問題を避けるため、ハンドルを動かしたり回転させたりせず、常に中央の位置に保ってください。
- ラダーをジョイスティックに接続する際の注意点: キャリブレーションの問題を避けるため、必ずラダーの軸を中央位置に保ち、ラダーペダルに足を置かないようにしてください。



## ジョイスティックを設定できない。

- ゲームのオプション/コントローラー/ゲームパッド または ジョイスティック メニューで、適切な設定を選択するか、コントローラーのオプションを最初から設定し直します。
- 詳しくは、ゲームのユーザーズマニュアルおよびオンラインヘルプを参照してください。



## ジョイスティックの感度が強すぎる、もしくは弱すぎる。

- ジョイスティックは、各軸に沿って操作を行うと、それぞれが独立して自動的にキャリブレーションを実行します。
- ゲームのオプション/コントローラー/ゲームパッド または ジョイスティック メニューで、コントローラーの感度およびデッドゾーンを調整します（これらのオプションが利用可能な場合）。

SimTask FarmStick についてご質問がおありですか、それとも技術的な問題が発生していますか？そのような場合は、Thrustmaster テクニカルサポートのウェブサイトアクセスしてください:

<https://support.thrustmaster.com/product/simtask-farmstick-x/>



# **THRUSTMASTER®**



# **SIMTASK FARMSTICK**

## **XBOX SERIES X|S – PC**

### 用户手册



在安装本产品之前、以任何方式使用本产品之前以及对其执行任何维护之前，请仔细阅读本手册提供的说明。请务必遵守安全说明。不遵守这些说明可能导致事故和/或损坏。请保留本手册，以便您日后查阅说明。



# 目录

1.	包装清单 .....	5
2.	特性 .....	6
3.	用法信息 .....	9
4.	了解您的摇杆 .....	12
	<i>主要卖点</i> .....	<b>12</b>
	<b><i>H.E.A.R.T. (HallEffect AccuRate Technology)</i></b>	
	<i>精准感应技术</i> .....	<b>13</b>
	<i>驾驶模式 &lt;&gt; 工作模式</i> .....	<b>14</b>
	<i>旋转手柄</i> .....	<b>17</b>
	<i>“视角”迷你操纵杆</i> .....	<b>18</b>
	<b><i>SimTask FarmStick 在 Xbox Series X S* 和</i></b>	
	<b><i>PC* 上的连接功能</i></b> .....	<b>19</b>
	<i>右利手和左利手摇杆配置</i> .....	<b>21</b>

<b>5.</b>	<b>在 XBOX SERIES X S 上安装.....</b>	<b>24</b>
<b>6.</b>	<b>XBOX 映射 .....</b>	<b>26</b>
<b>7.</b>	<b>在 PC 上安装 .....</b>	<b>29</b>
<b>8.</b>	<b>PC 映射 .....</b>	<b>31</b>
<b>9.</b>	<b>节流阀.....</b>	<b>34</b>
<b>10.</b>	<b>可更换的扳机.....</b>	<b>35</b>
<b>11.</b>	<b>在 XBOX SERIES X S* 或 PC* 上安装 TFRP 方向舵** .....</b>	<b>37</b>
<b>12.</b>	<b>常见问题解答和技术支持.....</b>	<b>39</b>

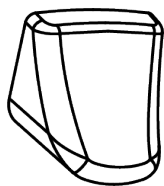
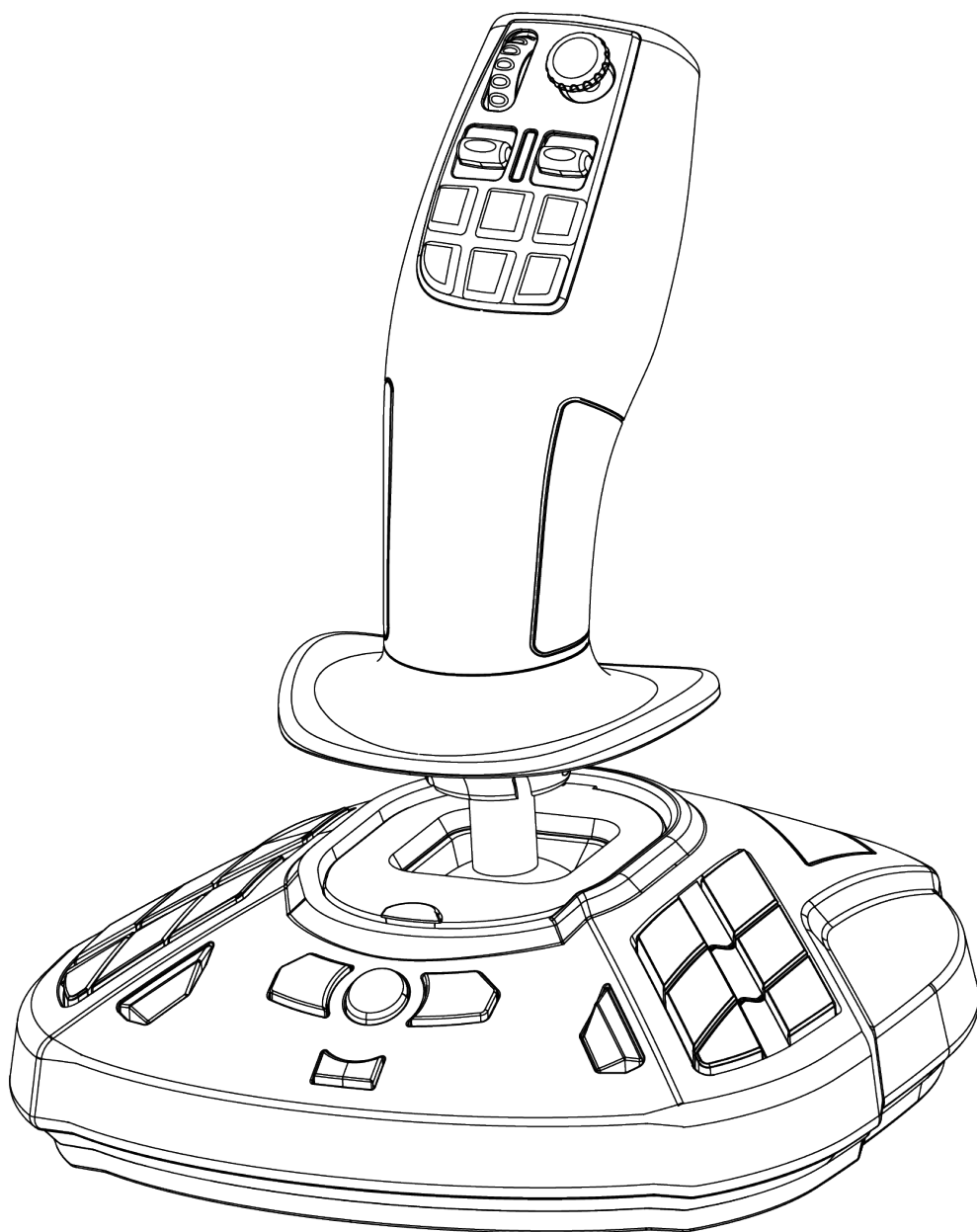


Thrustmaster（图马思特）的 SimTask FarmStick 装置的适应性很强，借助该产品，您可以轻松操纵农用和建筑用机械。您还可以使用 SimTask FarmStick 作为飞行模拟摇杆。

本手册将帮助您安装 SimTask FarmStick 并让其运行在最佳条件下。在开始之前，请仔细阅读以下所有说明和警告：它们将帮助您尽情享受您的产品。

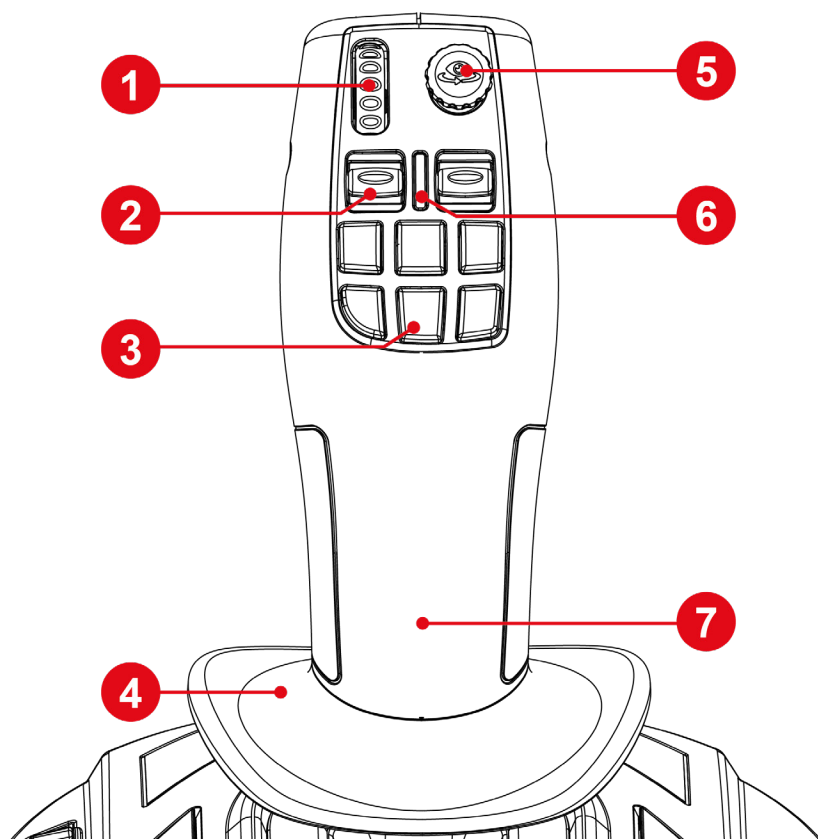


# 1. 包装清单

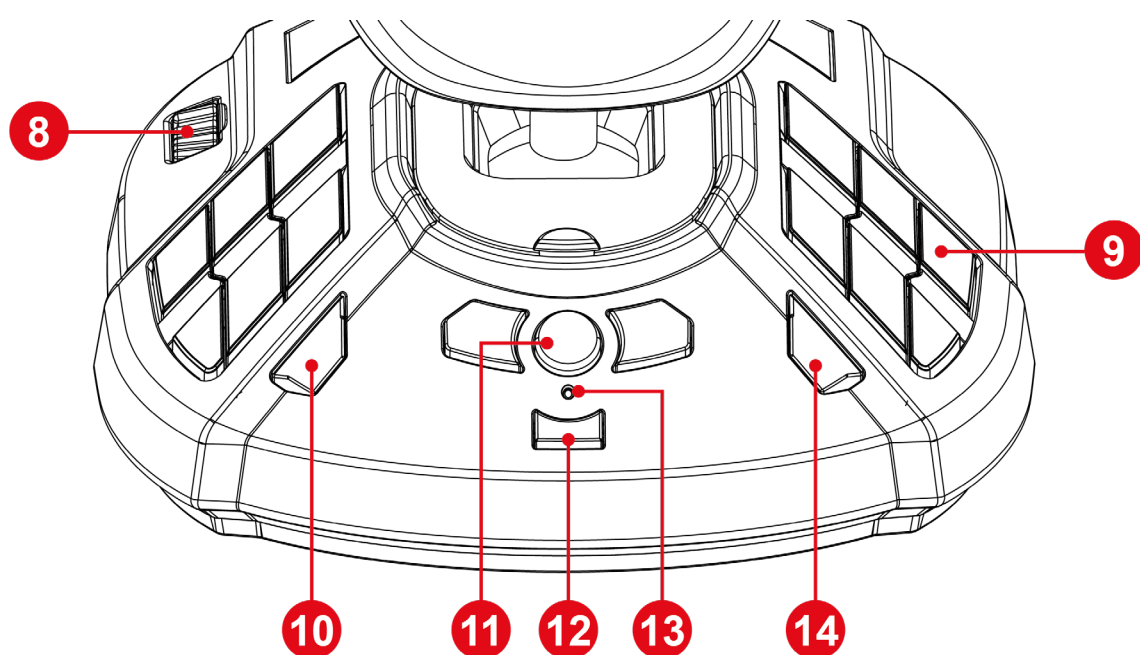




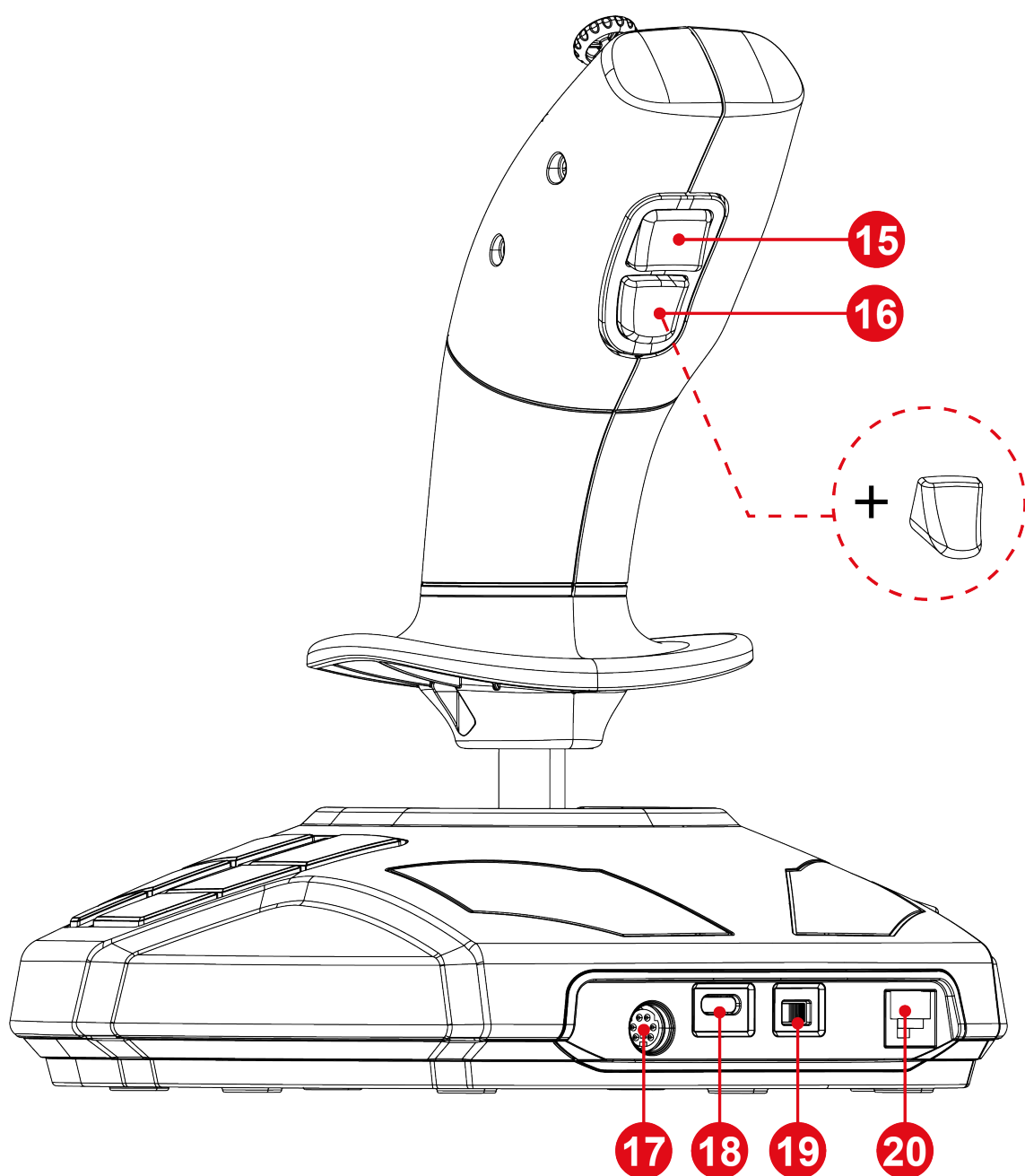
## 2. 特性



1. 拇指轮
2. 摇杆开关
3. 快速操作按钮
4. 掌托
5. “视角”迷你操纵杆
6. 操纵杆模式 LED 指示灯
7. 左右手通用的手柄



- 8. 节流阀
- 9. 可编程的操作按钮
- 10. View (视图) 按钮
- 11. Xbox 按钮
- 12. Share (分享) 按钮
- 13. 指示灯
- 14. Menu (菜单) 按钮



15. 操纵杆模式更改按钮

16. 可更换的操作扳机

17. DIN 端口，用于连接更多配件\*

18. USB-C 端口

19. Xbox / PC 选择器

20. RJ12 端口，用于连接 TFRP 方向舵\*

\*另售



### 3. 用法信息



#### 文档

在使用本产品之前，请仔细重读本文档，并妥善保存以备日后参考。





## 触电

- 请将本产品置于干燥的位置，切勿将其暴露在灰尘或阳光中。
- 观察连接方向。
- 切勿扭曲或拉扯接头和电缆。
- 切勿让任何液体溅到本产品或其接头上。
- 切勿造成本产品短路。
- 切勿拆解本产品；切勿将其投入火中，亦勿将其暴露在高温环境中。
- 切勿拆开本设备：内部没有任何可由用户维修的零部件。任何维修工作均须由制造商、指定代理商或持证技工执行。



### 保护游戏区的安全

- 请勿在游戏区内放置任何可能扰乱用户练习的物体，或可能引起不适当的动作或被他人打断的物体（例如咖啡杯、电话、钥匙）。
- 请勿用地毯、小地毯、毛毯、覆盖物或任何其他物品覆盖电源线，也不要将电源线布设在有人走动的地方。



## 4. 了解您的摇杆

### 主要卖点

- 33 个按钮和 6 个虚拟按钮，包括一个拇指轮和两个摇杆开关
- 6 个轴，包括迷你操纵杆、摇杆的手柄旋转和节流阀
- 操纵杆模式 LED 指示灯
- H.E.A.R.T. 技术 (HallEffect AccuRate Technology)
- 连接到 USB-A 端口
- 节流阀
- RJ12 端口，用于连接 TFRP 方向舵\*

\*另售



## **H.E.A.R.T. (Hall Effect AccuRate Technology) 精准感应技术**

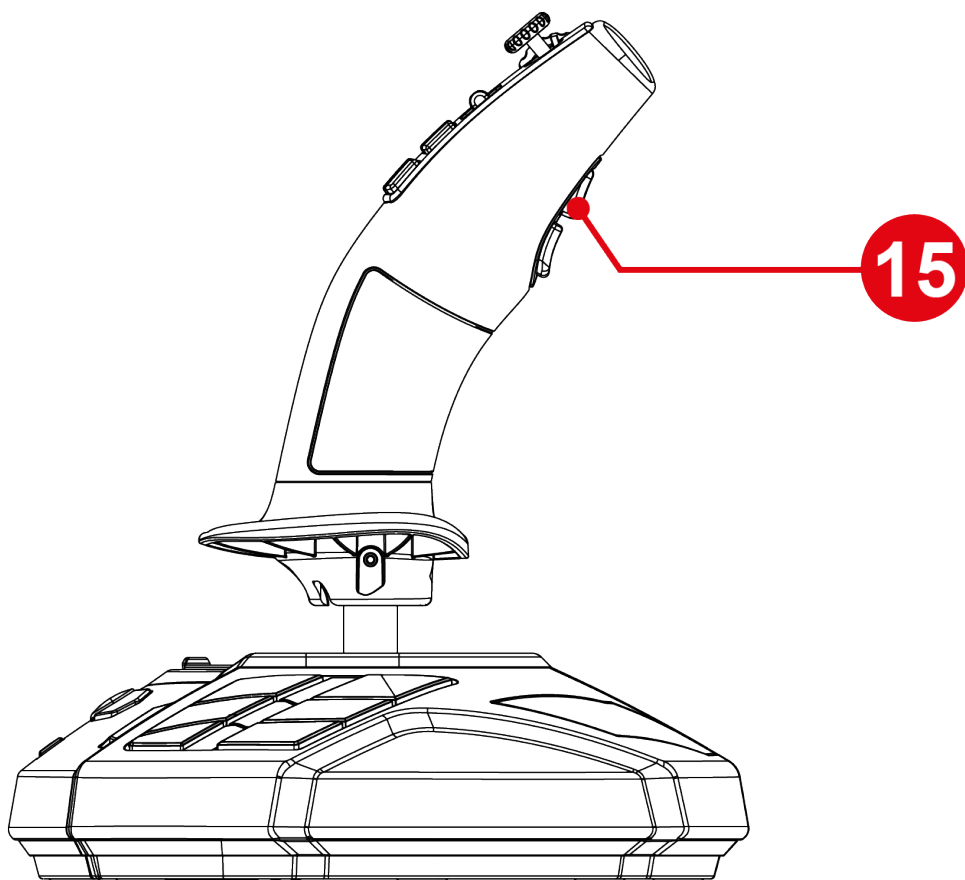
SimTask FarmStick 的精度在当今游戏摇杆领域堪称出类拔萃，这得归功于其采用了众多先进技术，包括：

- 操纵杆上设有 3D（Hall 效应）磁性传感器，X 轴和 Y 轴的分辨率值超过 2.68 亿个值（16384 x 16384 个值）。
- 磁力技术：无摩擦，从而带来超乎寻常的精准体验和难以置信的响应能力。
- 操纵杆上装有发条（2.8 毫米）：可实现稳固、超平滑的线性张力。



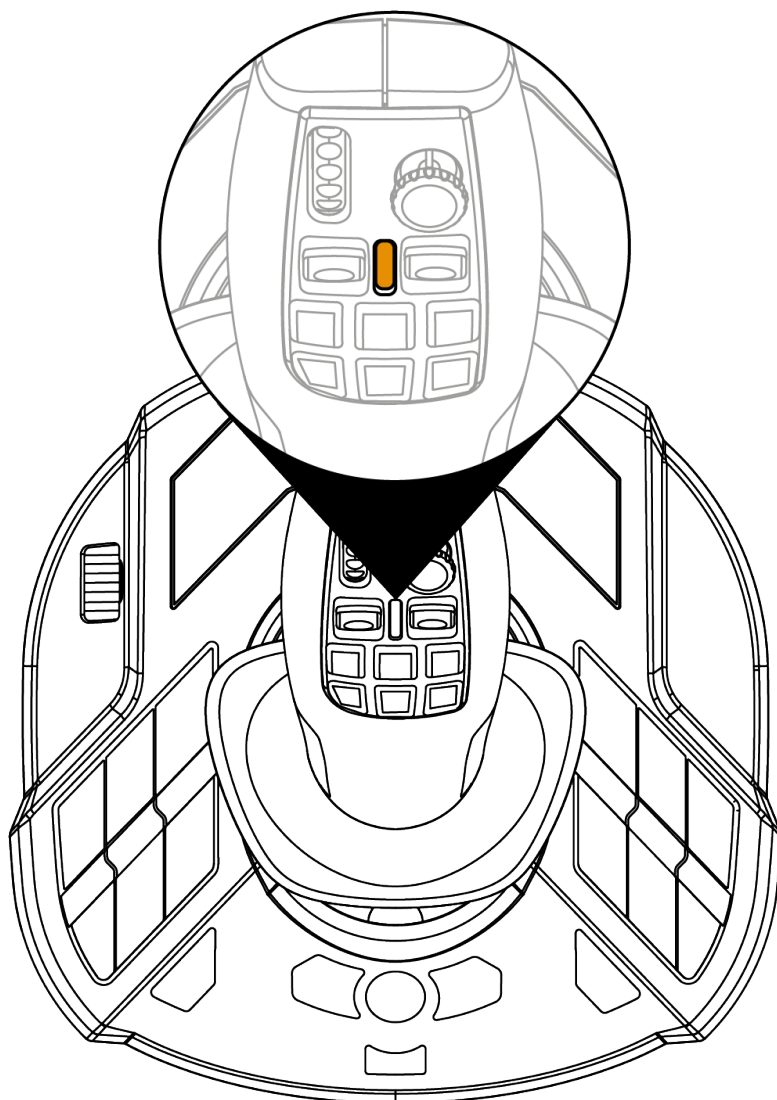
## 驾驶模式 <> 工作模式

通过按钮 **15**，您可以在**驾驶模式**和**工作模式**之间来回切换。



此功能扩展了能够通过拇指（例如通过拇指轮 **1** 和两个摇杆开关 **2**）执行的操作范围。

更改模式会修改与拇指轮 **1** 和两个摇杆开关 **2** 相关联的操作。



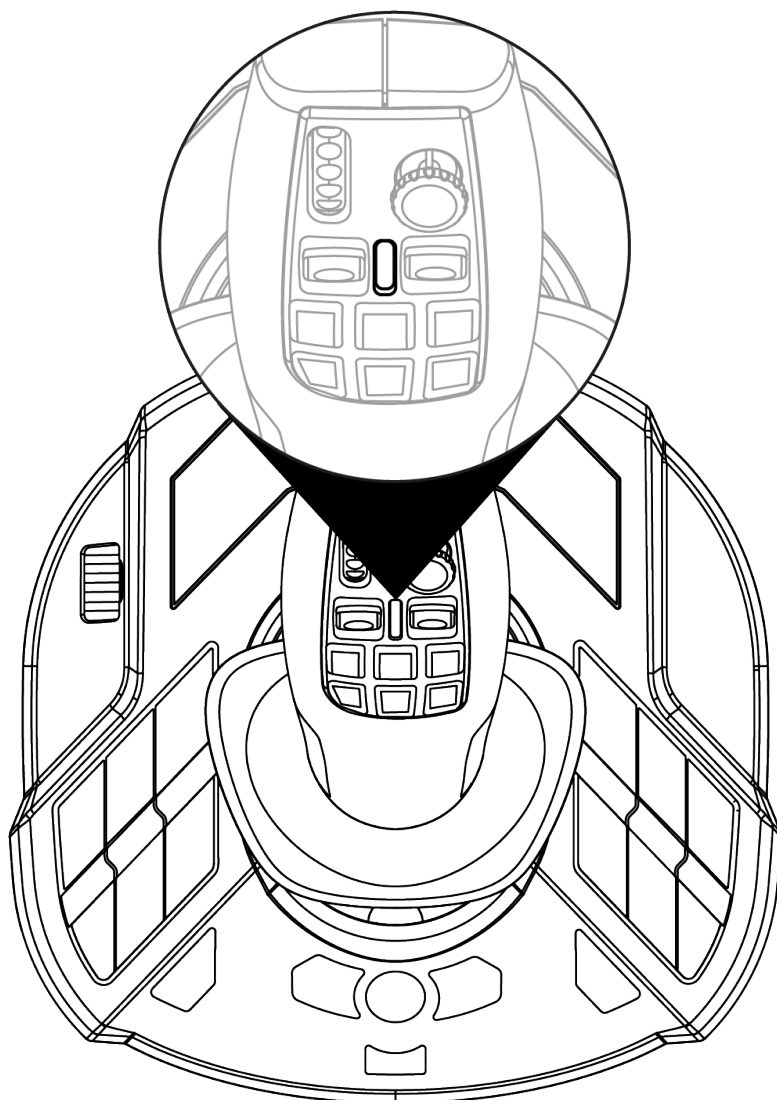
### 驾驶模式（默认）

在**驾驶**模式下，操纵杆模式 LED 指示灯 ⑥ 会呈橙色亮起。



在**驾驶**模式下，与拇指轮 ① 和摇杆开关 ② 相关联的操作如下所示：

- 拇指轮：控制调节器的设定值。
- 摇杆开关：变速箱管理。



## 工作模式

在工作模式下，操纵杆模式 LED 指示灯 ⑥ 会呈白色亮起。



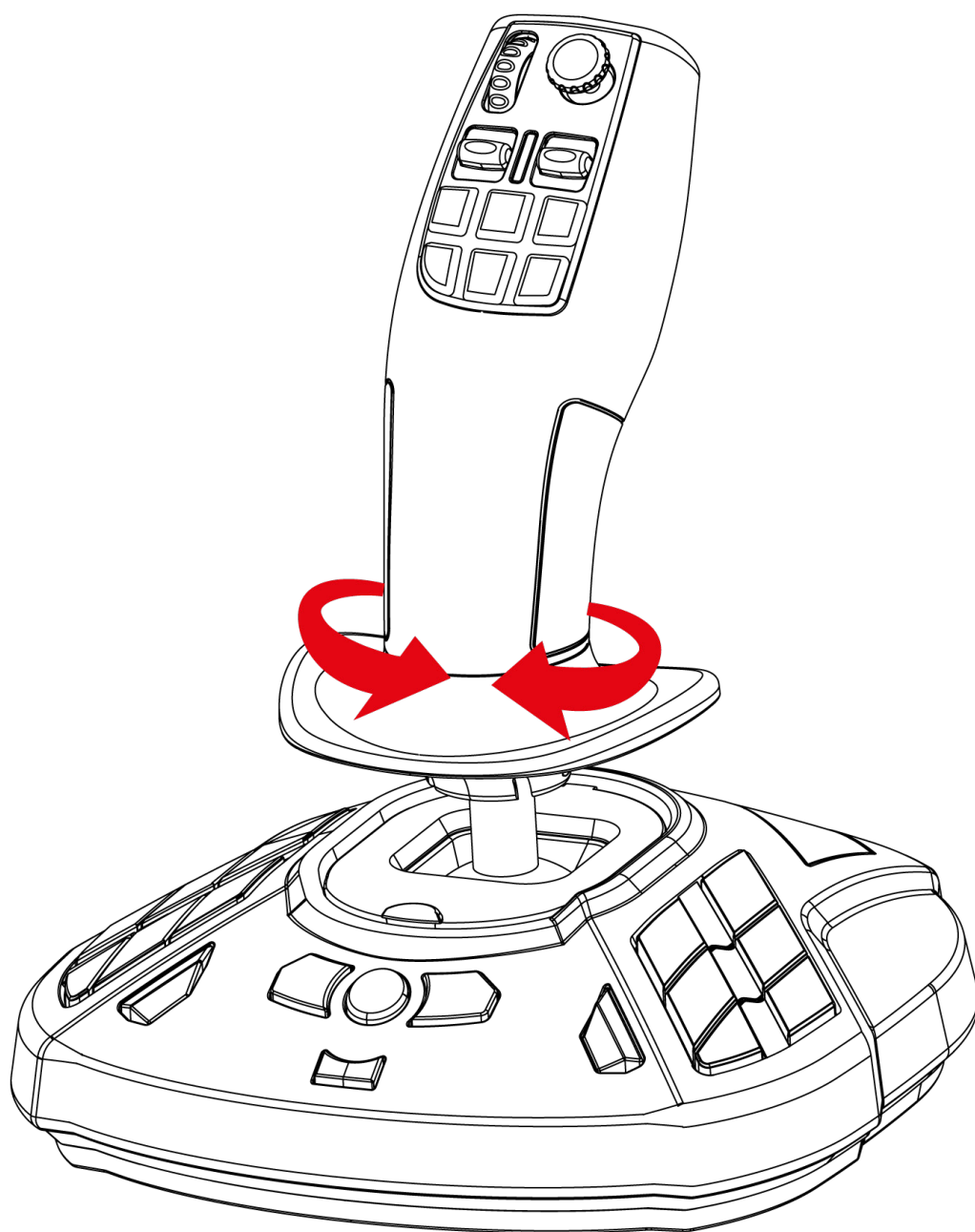
在工作模式下，与拇指轮 ① 和摇杆开关 ② 相关联的操作如下所示：

- 拇指轮：控制摄像头的缩放。
- 摇杆开关：控制起重臂或装载机。



## 旋转手柄

SimTask FarmStick 配备一个手柄，可沿其水平轴进行旋转。例如，此功能可用于操纵起重机头或挖掘机。

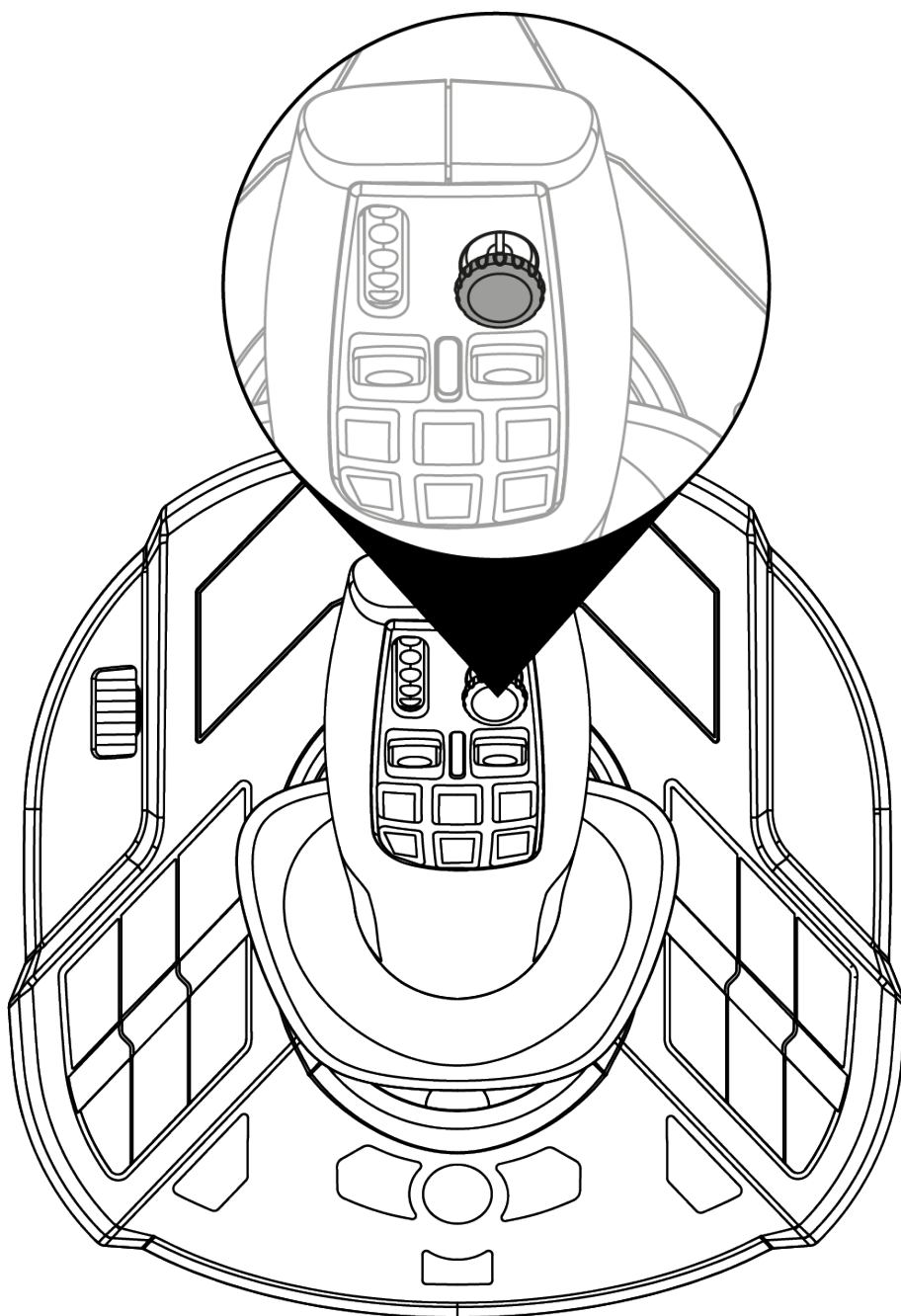






## “视角”迷你操纵杆

SimTask FarmStick 配备“视角”迷你操纵杆 **5**，可让您查看机器操作工的视野。





## **SimTask FarmStick 在 Xbox Series X|S\* 和 PC\* 上的连接功能**

SimTask FarmStick 配备 6 个轴，但也提供将 TFRP\*\* 方向舵连接到摇杆背部的选择。这样可以为您提供两个额外的轴，还可利用 TFRP 控制方向舵。

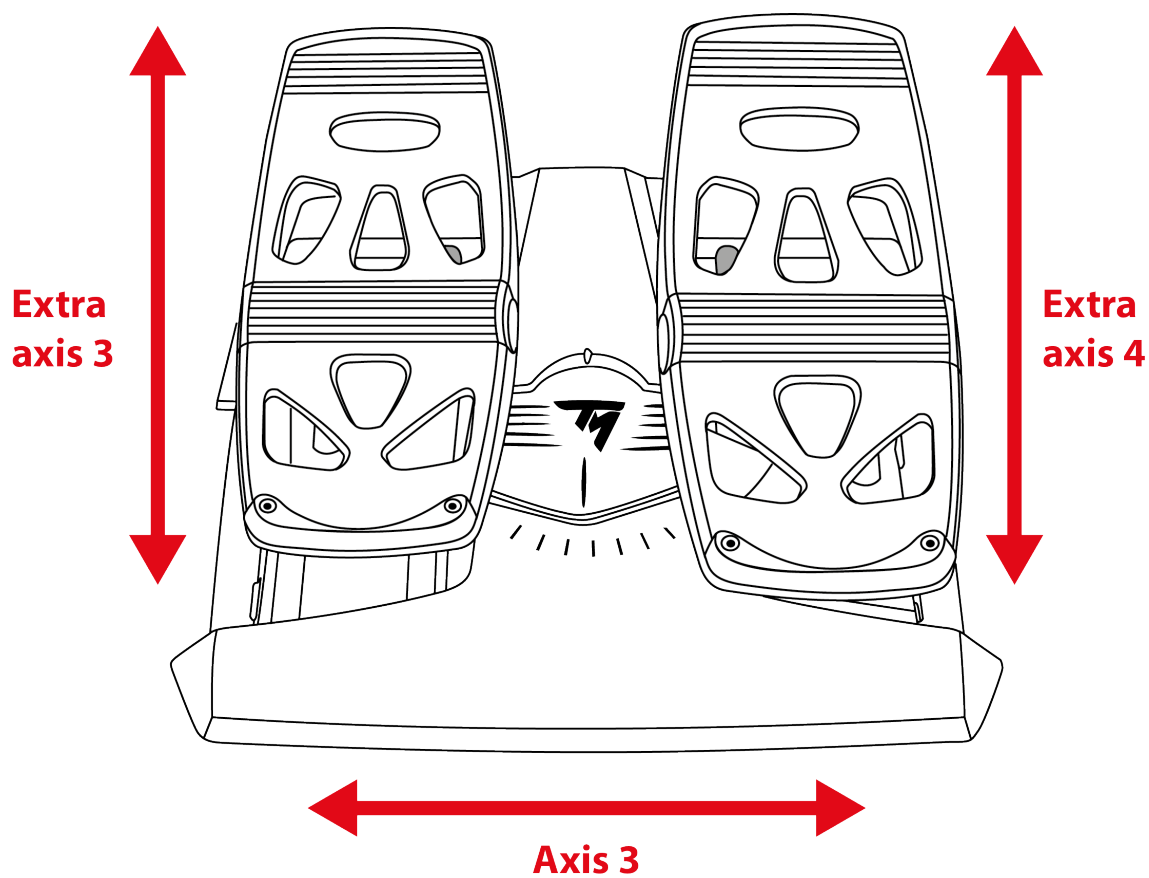


TFRP 方向舵是唯一在 Xbox Series X|S 和 PC 上均受支持的设备。

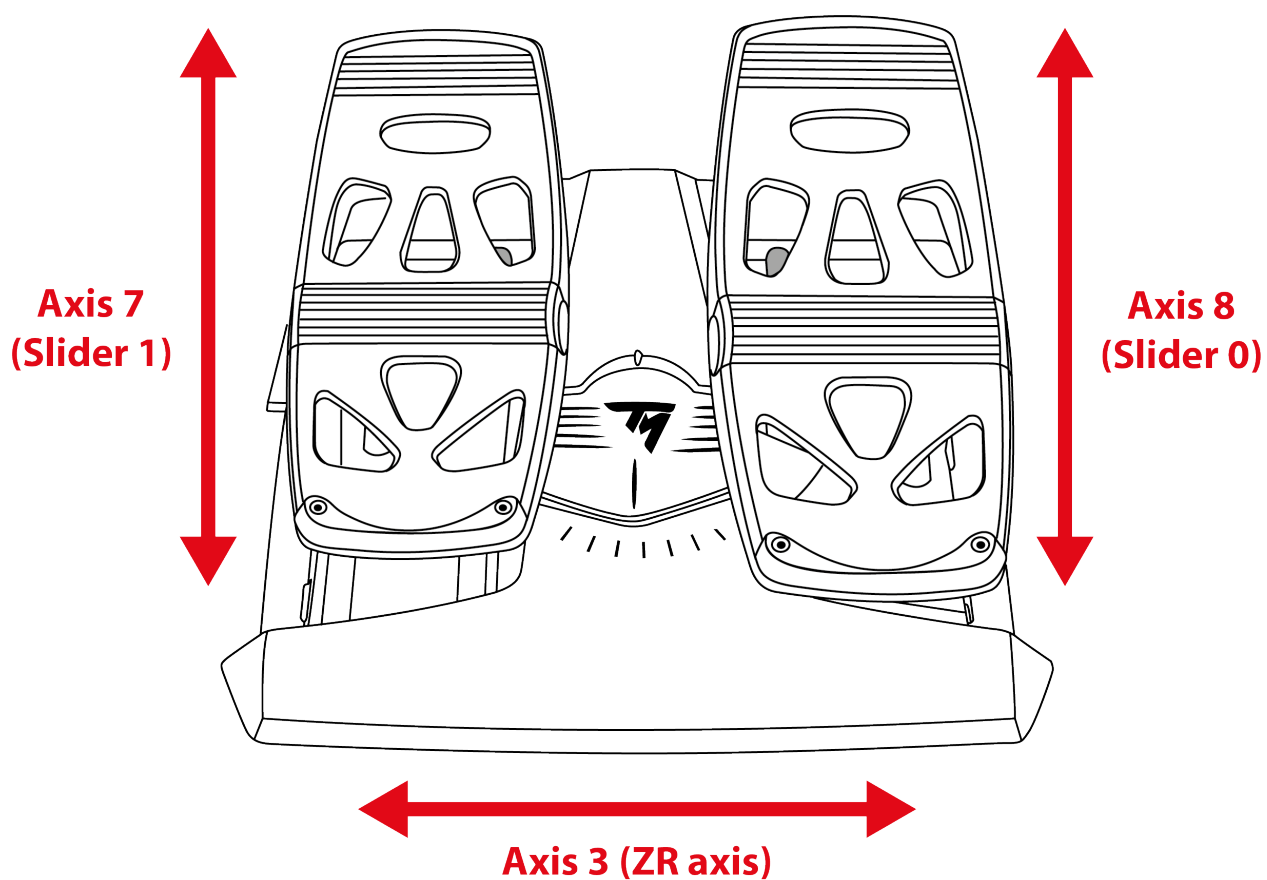
\*未提供 / \*\*另售



针对 Xbox 的映射:



针对 PC 的映射:





## 右利手和左利手摇杆配置

SimTask FarmStick 是左右手通用的设备，可无缝适应所有玩家的用手习惯，无论是右利手还是左利手。

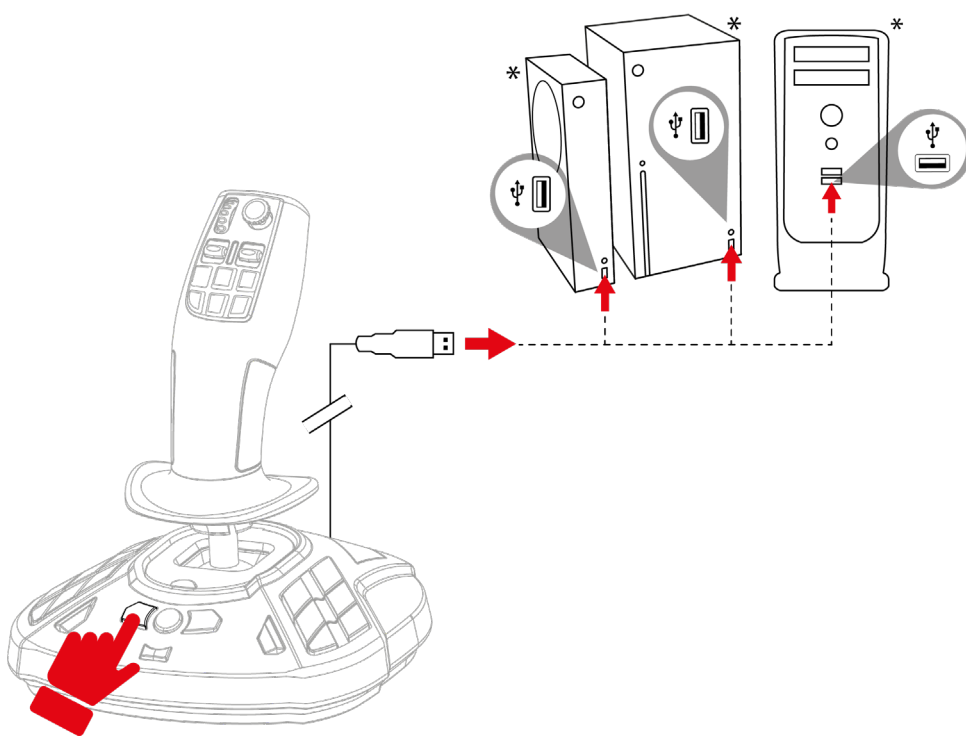
默认情况下，摇杆设置为右利手模式。



要将摇杆设置为左利手模式，请：

1. 在保持将 SimTask FarmStick 连接到 Xbox Series X|S 或 PC 的同时，按住按钮 14（PC 上）或 Prev（Xbox Series X|S 上）不放。

操纵杆 LED 指示灯 **6** 将会呈白色闪烁五秒钟。



2. 松开按钮 14（PC 上）或 Prev（Xbox Series X|S 上）。



左利手模式将会自动保存到 SimTask FarmStick 的内置存储器中。

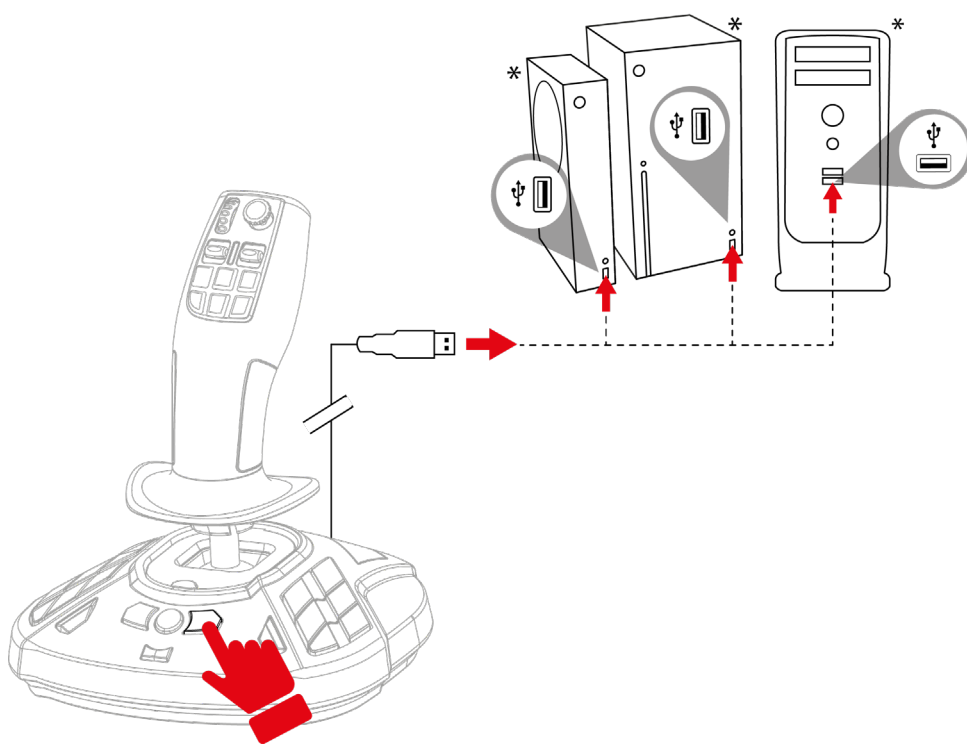
\*未提供



要将摇杆重置为右利手模式，请：

1. 在保持将 SimTask FarmStick 连接到 Xbox Series X|S 或 PC 的同时，按住按钮 16（PC 上）或 Next（Xbox Series X|S 上）不放。

操纵杆 LED 指示灯 **6** 将会呈橙色闪烁五秒钟。



2. 松开按钮 16（PC 上）或 Next（Xbox Series X|S 上）。



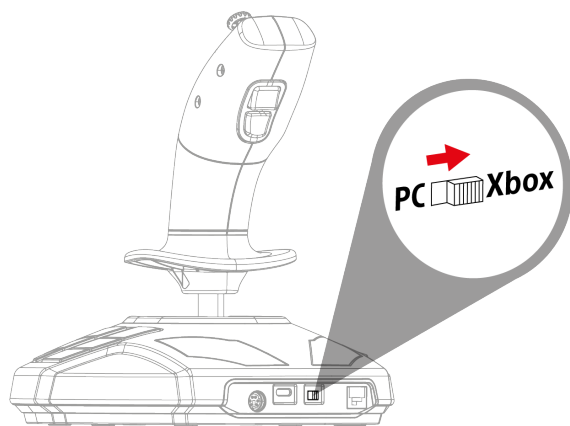
右利手模式将会自动保存到 SimTask FarmStick 的内置存储器中。

\*未提供

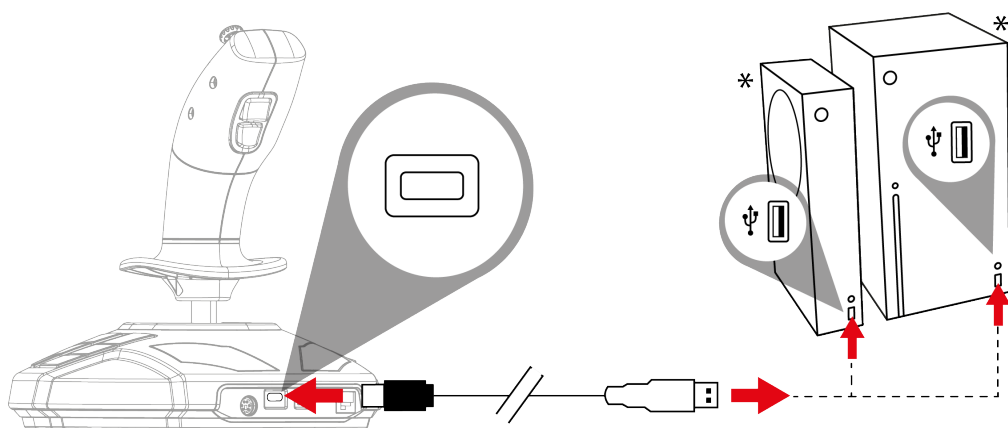


## 5. 在 XBOX SERIES X|S 上安装

1. 将摇杆背部的开关 19 设置为 Xbox 位置。



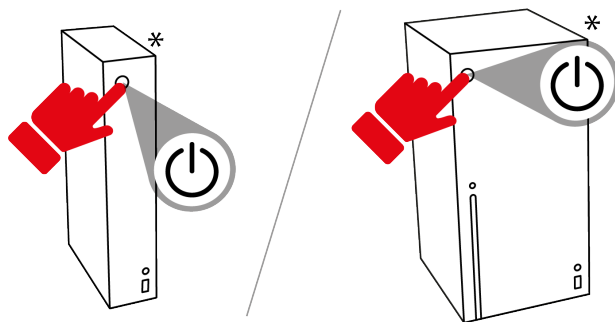
2. 将 USB-C 转 USB-A 电缆的两端分别插接到摇杆的 USB-C 端口 18 上和主机\*的某个 USB-A 端口上。



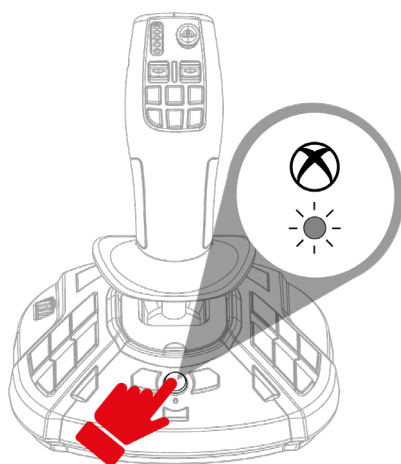
\*未提供



3. 启动主机。



4. 按 Xbox 按钮。摇杆指示灯将会发白光。



5. 启动兼容的游戏。

现在即可开始玩游戏了！



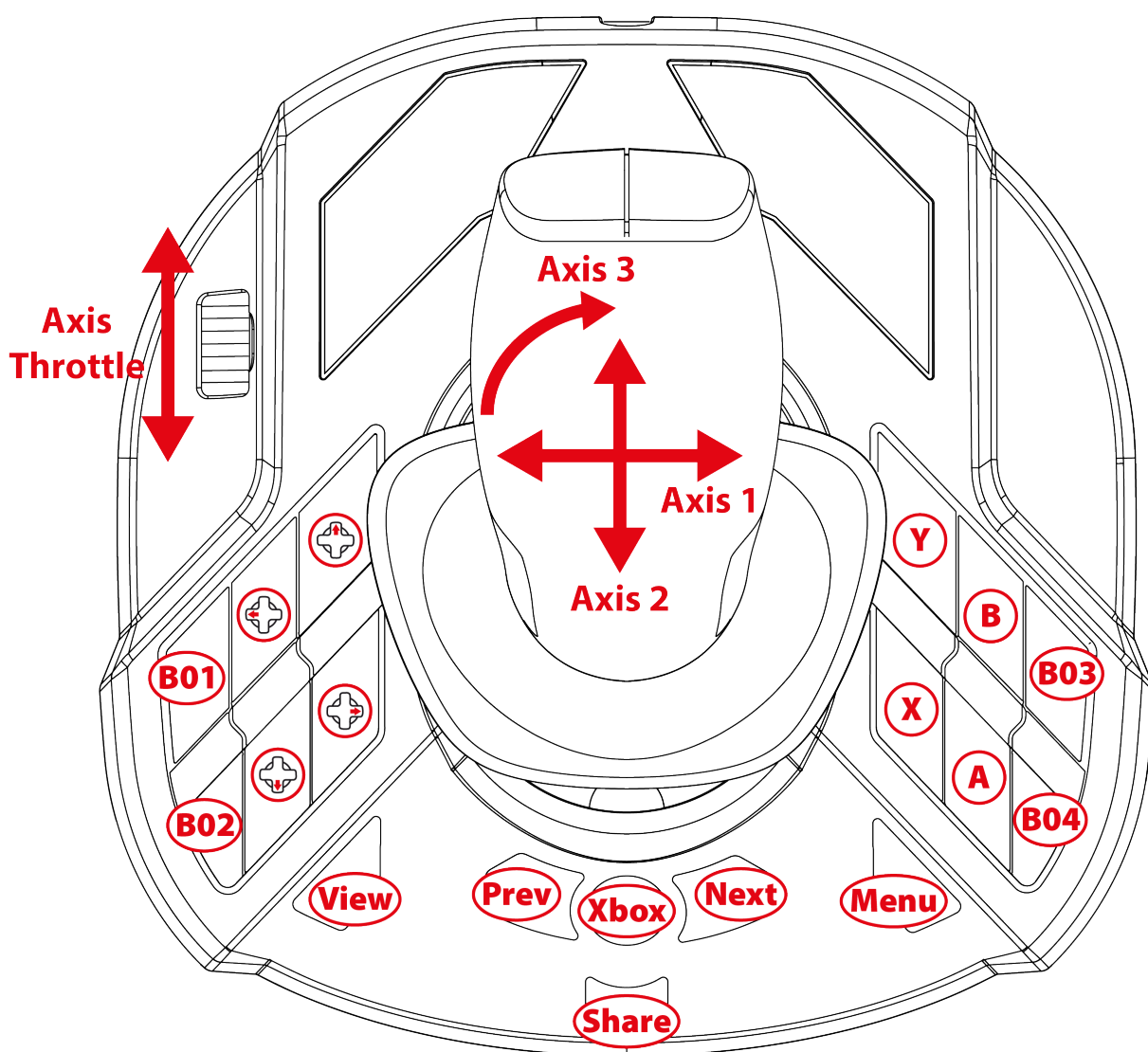
连接摇杆时，请始终将手柄置于中心位置，切勿移动或旋转手柄，以免出现任何校准问题。

\*未提供





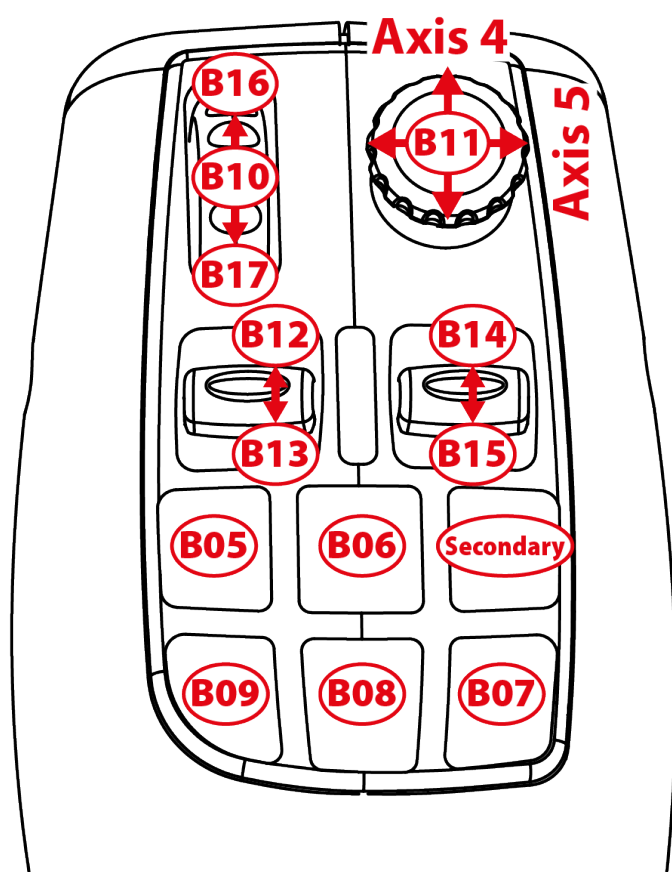
## 6. Xbox 映射



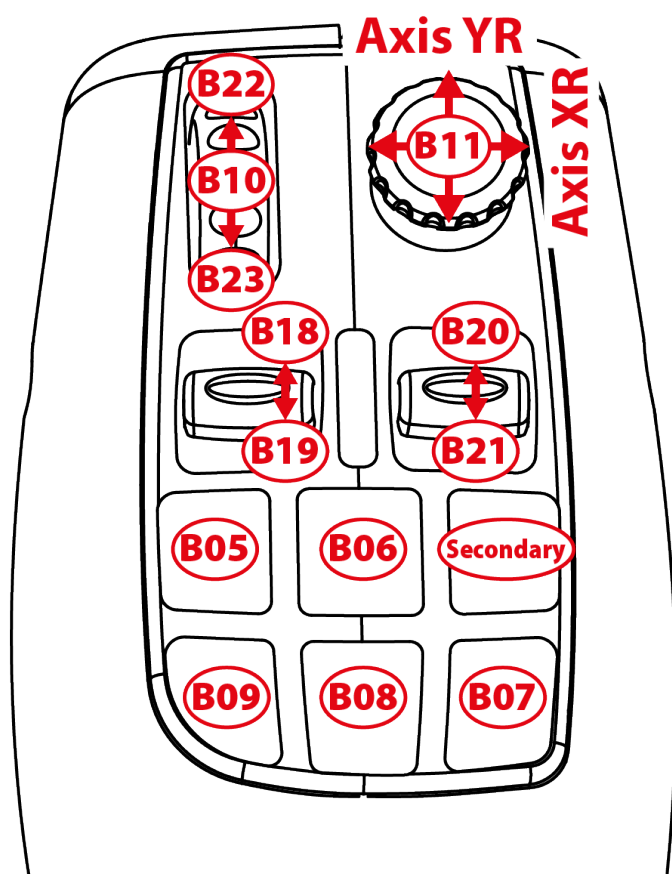
右利手模式和左利手模式下的映射完全相同。

可通过遵循[此](#)程序选择右利手（默认）/左利手模式。

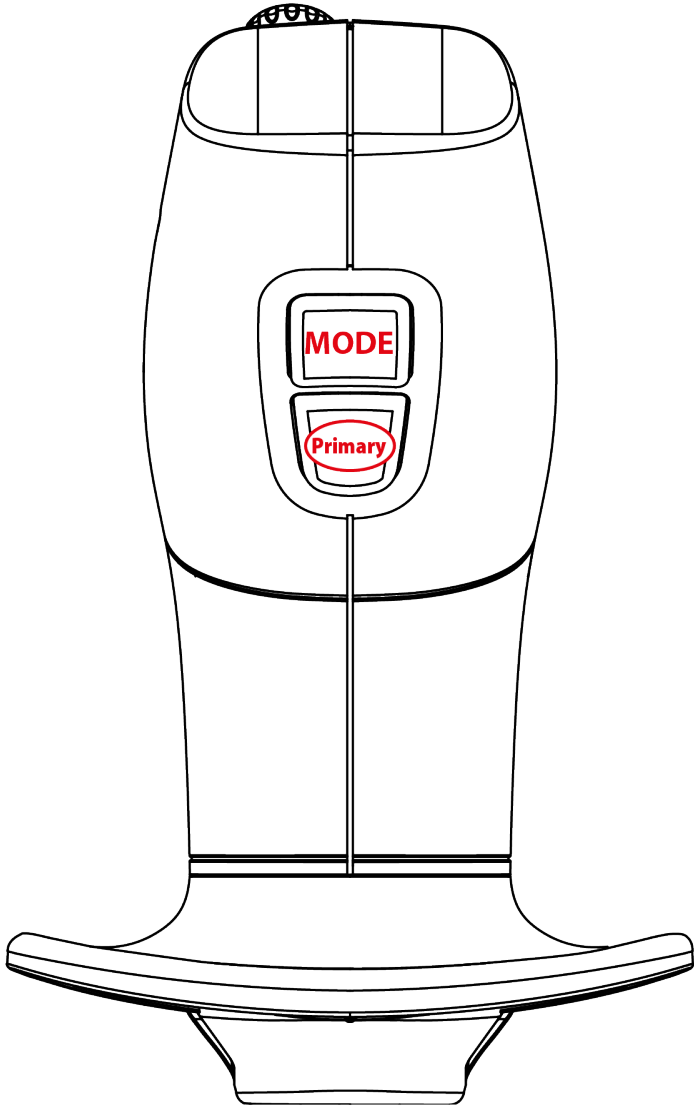
当您同时使用两个摇杆时，此模式有助于您区分这两个摇杆。



驾驶模式



工作模式





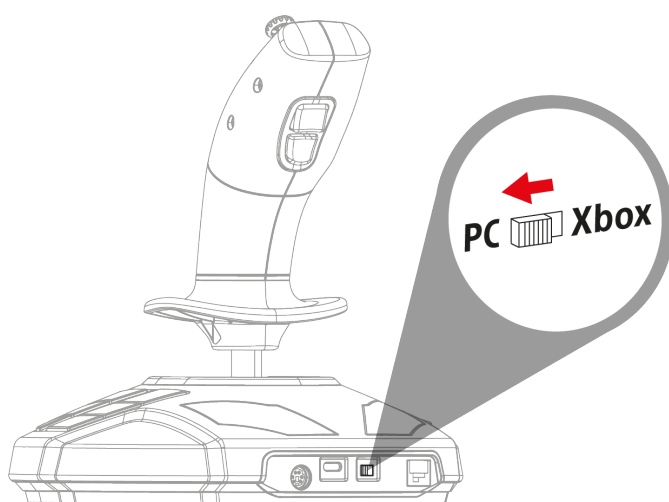
## 7. 在 PC 上安装

1. 请访问：

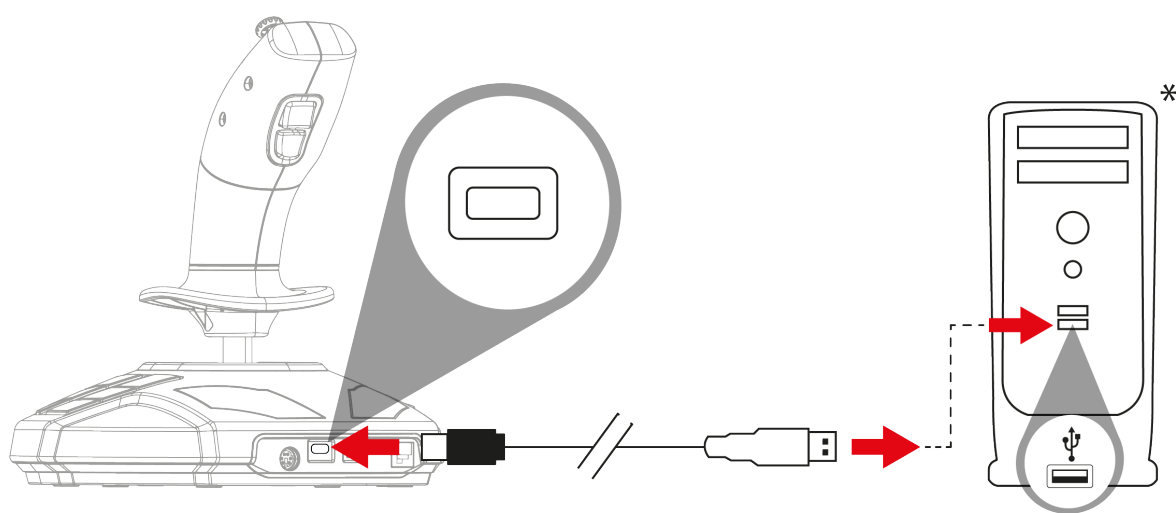
<https://support.thrustmaster.com/product/simtask-farmstick-x/>。

2. 下载并安装 PC 驱动程序及其基于 Windows 控制面板的自定义界面。

3. 安装 PC 驱动程序之后，将摇杆背部的开关 19 设置为 PC 位置。



4. 将 USB-C 转 USB-A 电缆的两端分别插接到摇杆的 USB-C 端口 18 上和 PC\* 的某个 USB-A 端口上。



\*未提供



5. 选择 **开始/设置/控制面板**，然后双击**游戏控制器**。**游戏控制器**对话框显示摇杆的名称，状态显示为 **OK**。
6. 在**控制面板**窗口中，单击**属性**，可测试和查看所有功能。您也可以选择右利手模式（默认）或左利手模式。

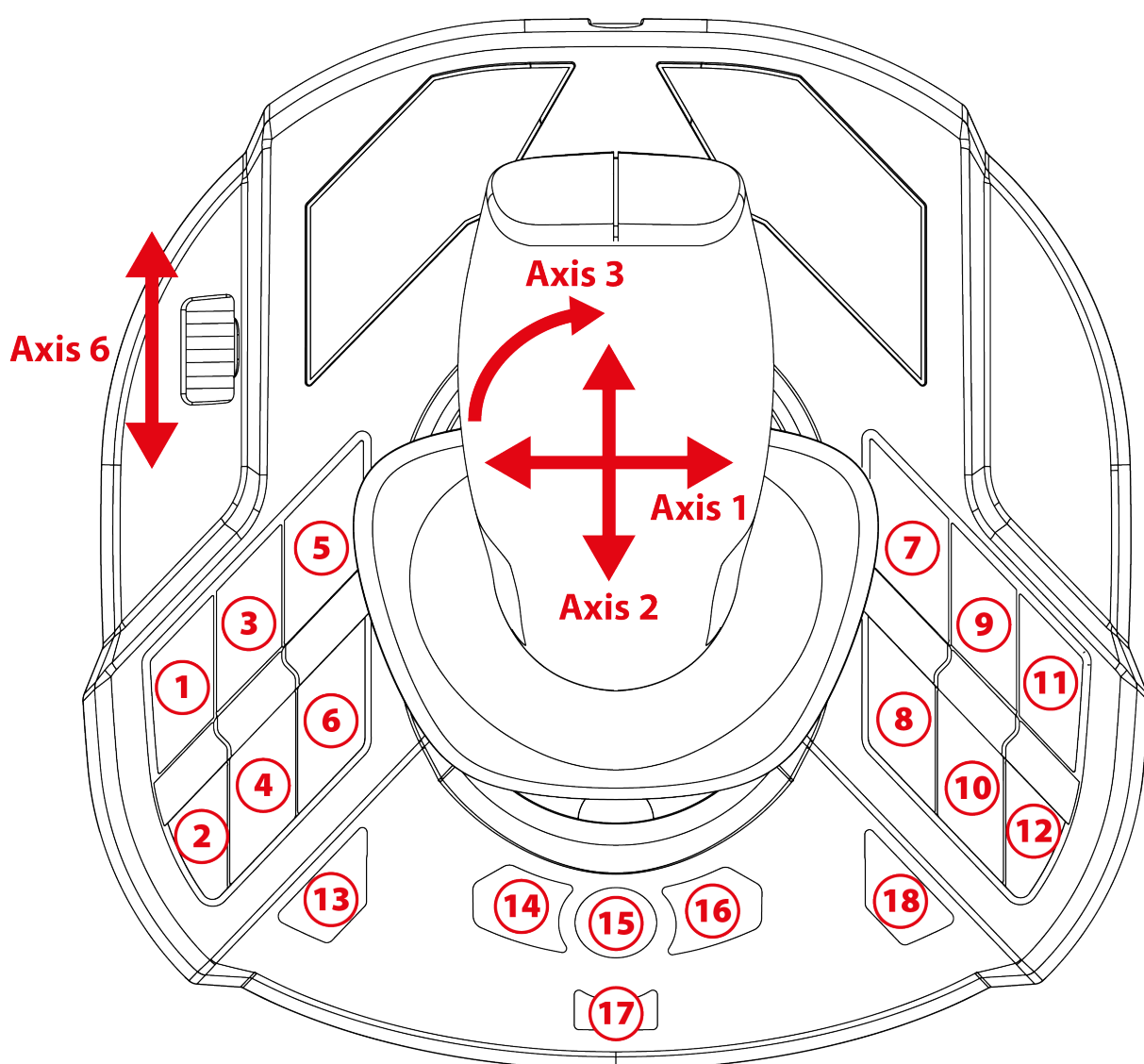
现在即可开始玩游戏了！



连接摇杆时，请始终将手柄置于中心位置，切勿移动或旋转手柄，以免出现任何校准问题。

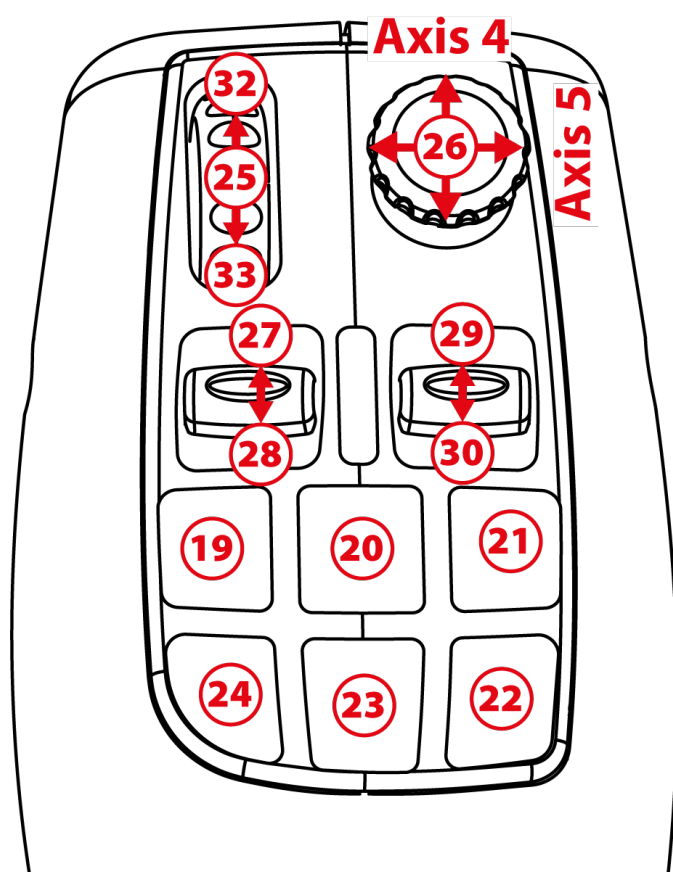


## 8. PC 映射

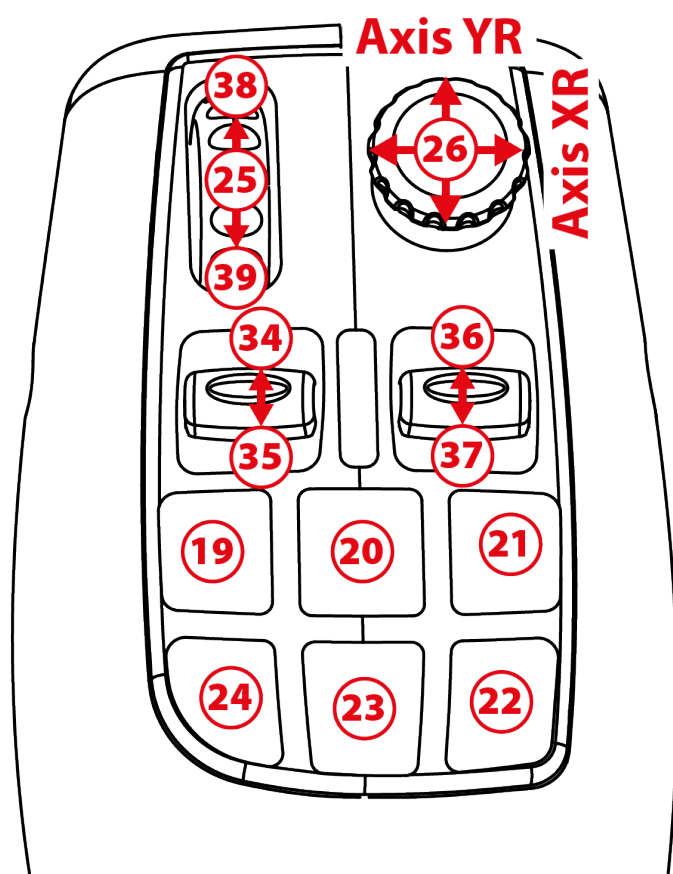


右利手模式和左利手模式下的映射完全相同。

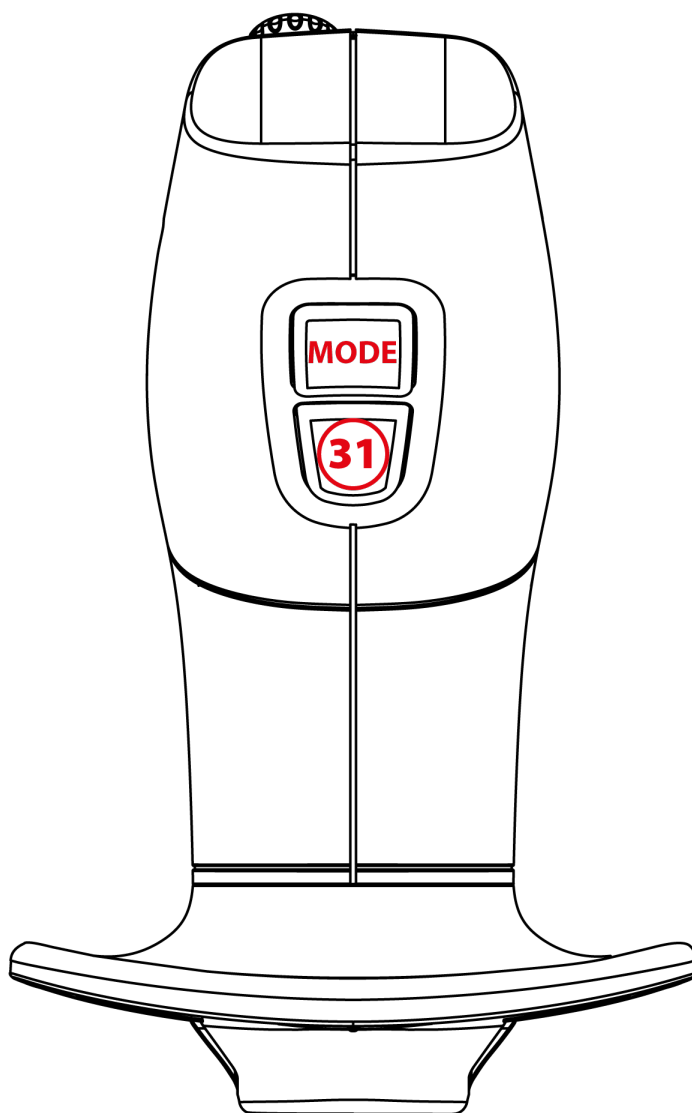
可通过遵循[此程序](#)或者在[控制面板](#)中选择右利手（默认）/左利手模式。当您同时使用两个摇杆时，此模式有助于您区分这两个摇杆。



驾驶模式



工作模式

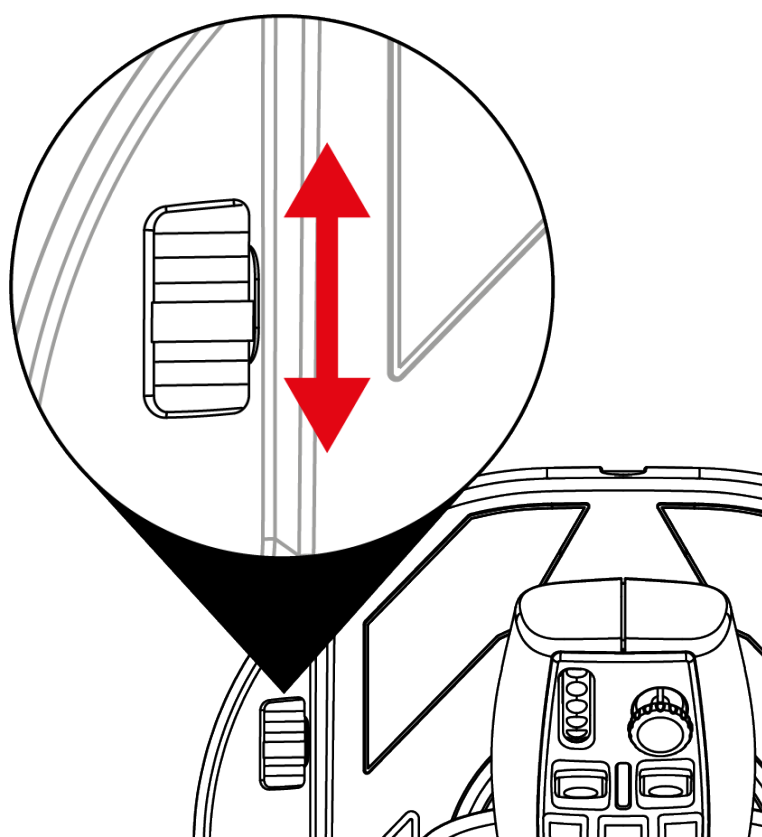






## 9. 节流阀

您的摇杆配备一个节流阀 **8**，让您能够轻松控制引擎速度。

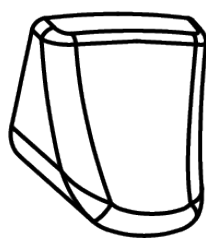




## 10. 可更换的扳机

您的摇杆配备一个可更换的操作扳机 **16**，其提供不同的人体工学游戏体验。

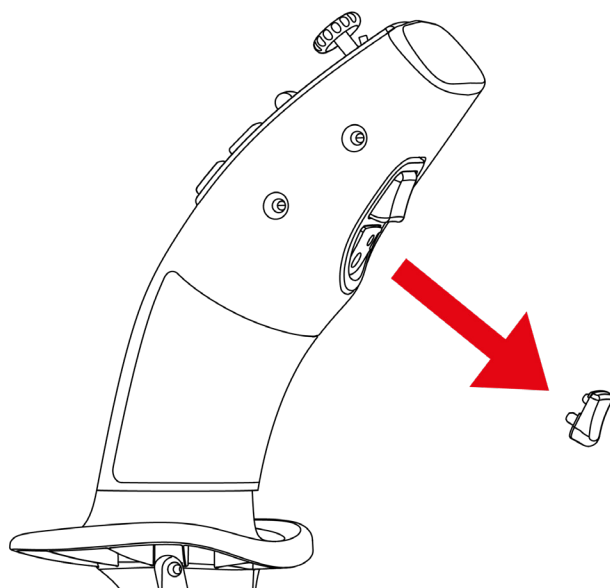
默认安装的扳机可更换为适合飞行模拟的扳机（随 SimTask FarmStick 提供）。



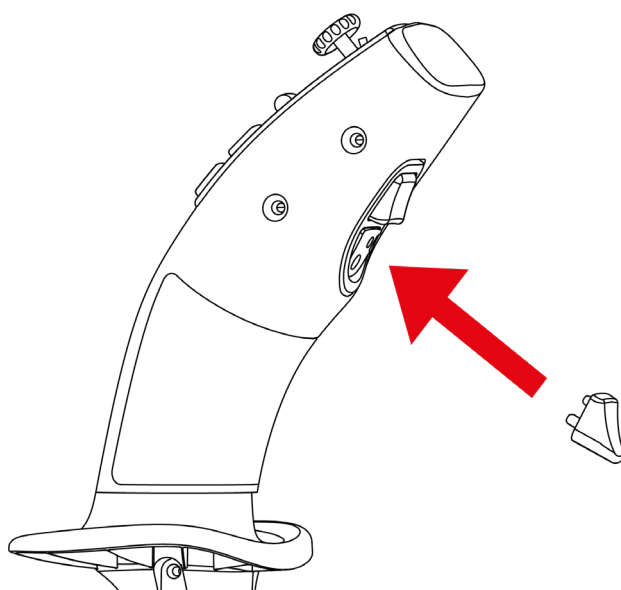


要更换扳机，请：

1. 将手指置于扳机的某一侧并小心拉动扳机。



2. 将新扳机置于正确的安装位置。



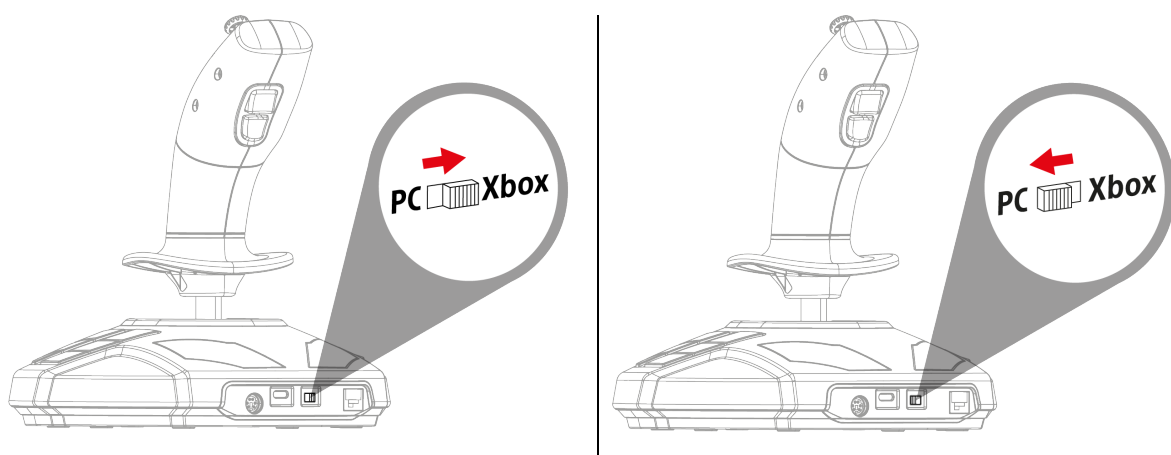
中心销必须固定在操纵杆中的正确位置。切勿强行插入扳机，因为这可能会损坏销钉。



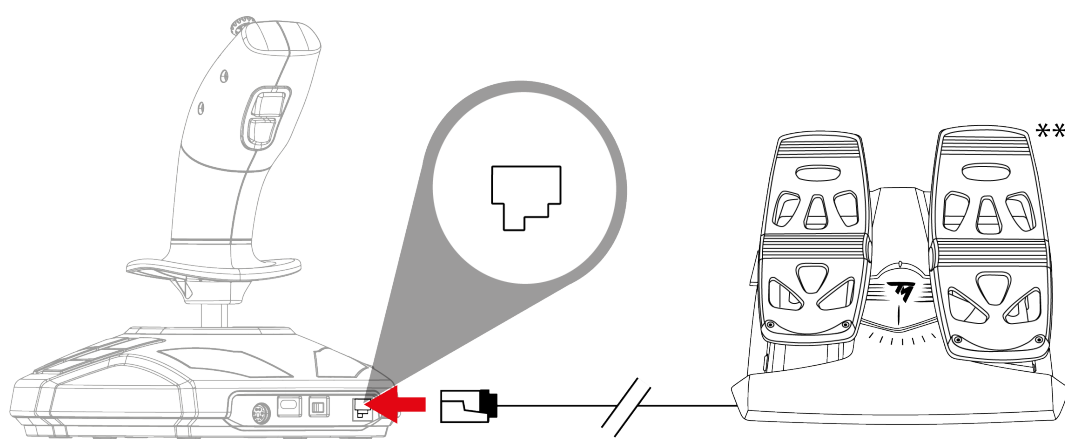
## 11. 在 Xbox Series X|S\* 或 PC\* 上安装 TFRP 方向舵\*\*

TFRP\*\* 方向舵插接到 SimTask FarmStick 中。

1. 将摇杆背部的开关 ①9 设置为 Xbox 或 PC 位置。



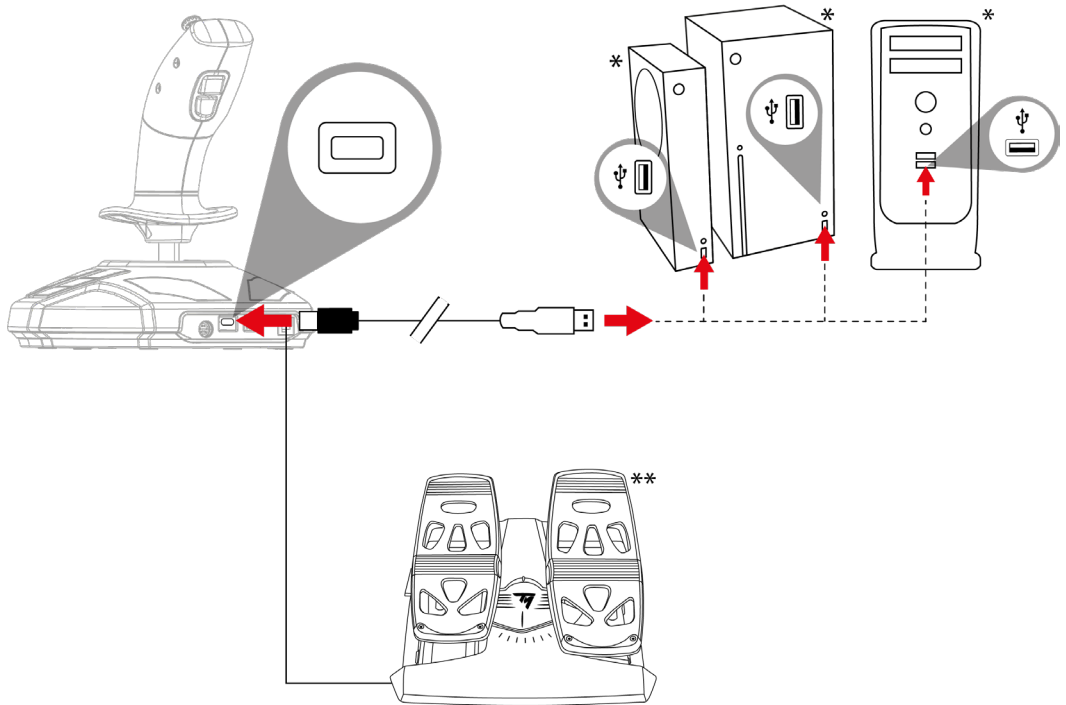
2. 将 TFRP 方向舵\*\*的 RJ12 电缆插接到摇杆背部的 RJ12 端口 ②0 上。



\*未提供 / \*\*另售



3. 将 USB-C 转 USB-A 电缆的两端分别插接到摇杆的 USB-C 端口 18 上和主机\*或 PC\* 的 USB-A 端口上。



- 连接摇杆时，请始终将手柄置于中心位置，切勿移动或旋转手柄，以免出现任何校准问题。
- 将方向舵连接到摇杆时，请始终将方向舵的轴置于中心位置，切勿将脚放在方向舵踏板上，以免出现任何校准问题。

\*未提供 / \*\*另售



## 12. 常见问题解答和技术支持

### *我的摇杆运行不正常，或看上去校准不当。*

- 关闭主机或计算机并断开与摇杆的连接；然后重新打开主机或计算机，重新连接摇杆，并重启游戏。
- 连接摇杆时，请始终将手柄置于中心位置，切勿移动或旋转手柄，以免出现任何校准问题。
- 将方向舵连接到摇杆时，请始终将方向舵的轴置于中心位置，切勿将脚放在方向舵踏板上，以免出现任何校准问题。



## *我无法配置我的摇杆。*

- 在游戏的**选项/控制器/游戏手柄**或**摇杆**菜单中，选择适当的配置，或重新配置控制器选项。
- 有关详细信息，请参阅游戏的**用户手册**或**联机帮助**。



## 我的摇杆太灵敏或不够灵敏。

- 当您沿不同的轴移动几次摇杆后，摇杆将自行独立校准。
- 在游戏的**选项/控制器/游戏手柄**或**摇杆菜单**中：调整摇杆的灵敏度和盲区（如果这些选项可用）。

您对 **SimTask FarmStick** 是否有任何疑问，或者您是否遇到任何技术问题？若有的话，请访问 **Thrustmaster**（图马思特）技术支持网站：

<https://support.thrustmaster.com/product/simtask-farmstick-x/>。





# **THRUSTMASTER®**



# **SIMTASK FARMSTICK**

## **XBOX SERIES X|S – PC**

### 使用者手冊



在安裝本產品之前、以任何方式使用本產品之前以及對其執行任何維護之前，請仔細閱讀本手冊提供的說明。請務必遵守安全說明。不遵守這些說明可能導致事故和/或損壞。請保留本手冊，以便您日後查閱說明。

# 目錄

1.	包裝清單.....	5
2.	特性.....	6
3.	用法資訊.....	9
4.	瞭解您的搖桿.....	12
	<i>主要賣點</i> .....	12
	<b><i>H.E.A.R.T. (HallEffect AccuRate Technology)</i></b>	
	<i>精準感應技術</i> .....	13
	<i>駕駛模式 &lt;&gt; 工作模式</i> .....	14
	<i>旋轉手柄</i> .....	17
	<i>「視角」迷你操作桿</i> .....	18
	<b><i>SimTask FarmStick 在 Xbox Series X/S* 和</i></b>	
	<b><i>PC* 上的連接功能</i></b> .....	19
	<i>右利手和左利手搖桿組態</i> .....	21

<b>5.</b>	<b>在 XBOX SERIES X S 上安裝 .....</b>	<b>24</b>
<b>6.</b>	<b>XBOX 對應.....</b>	<b>26</b>
<b>7.</b>	<b>在 PC 上安裝 .....</b>	<b>29</b>
<b>8.</b>	<b>PC 對應.....</b>	<b>31</b>
<b>9.</b>	<b>節流閥.....</b>	<b>34</b>
<b>10.</b>	<b>可更換的扳機.....</b>	<b>35</b>
<b>11.</b>	<b>在 XBOX SERIES X S* 或 PC* 上安裝 TFRP 方 向舵** .....</b>	<b>37</b>
<b>12.</b>	<b>常見問題解答和技術支援 .....</b>	<b>39</b>

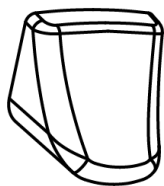
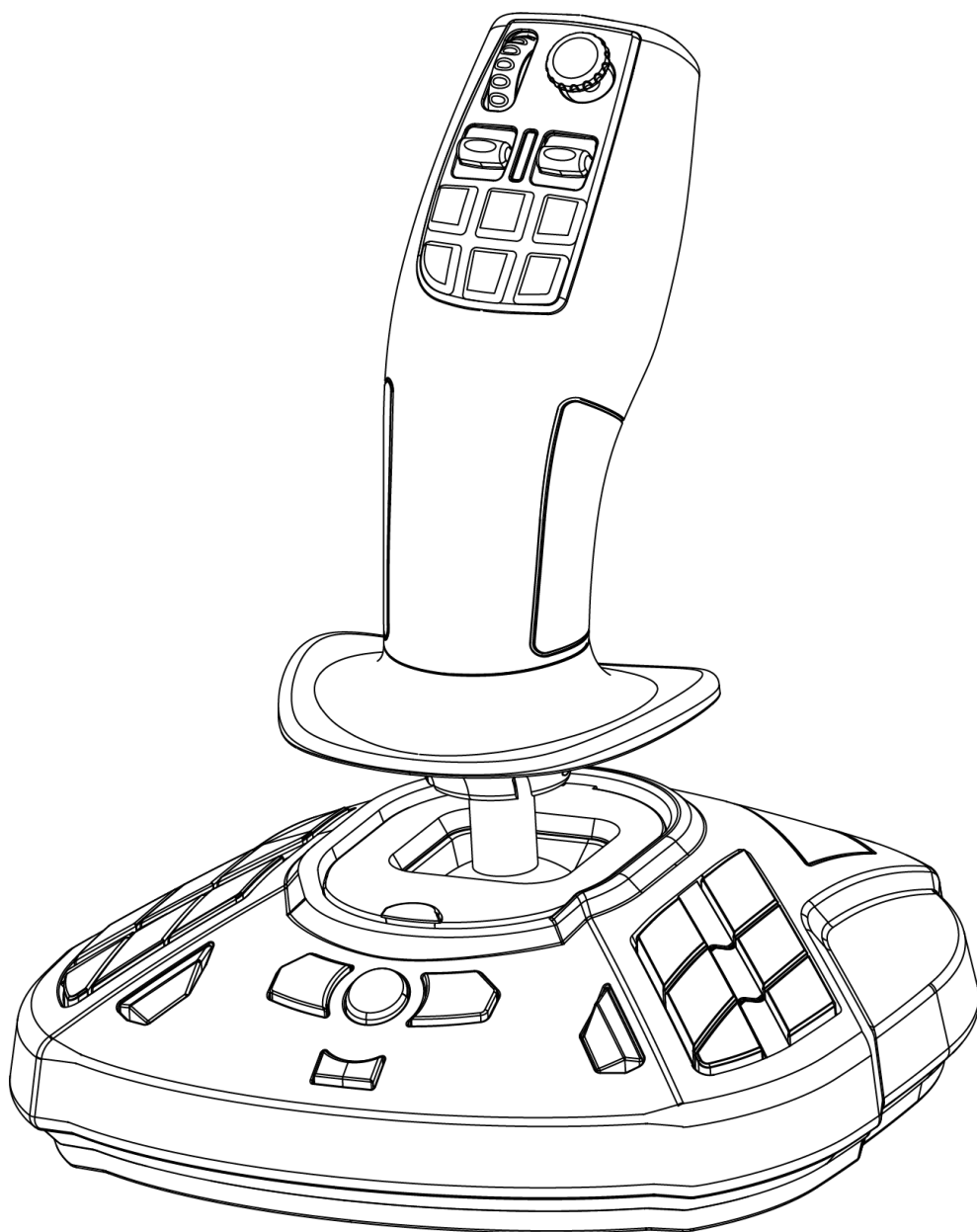


Thrustmaster（圖馬思特）的 **SimTask FarmStick** 裝置的適應性很強，借助該產品，您可以輕鬆操縱農用和建築用機械。您還可以使用 **SimTask FarmStick** 作為飛行模擬搖桿。

本手冊將輔助您安裝 **SimTask FarmStick** 並讓其運作在最佳條件下。在開始之前，請仔細閱讀以下所有說明和警告：它們將助力您盡情享受您的產品。

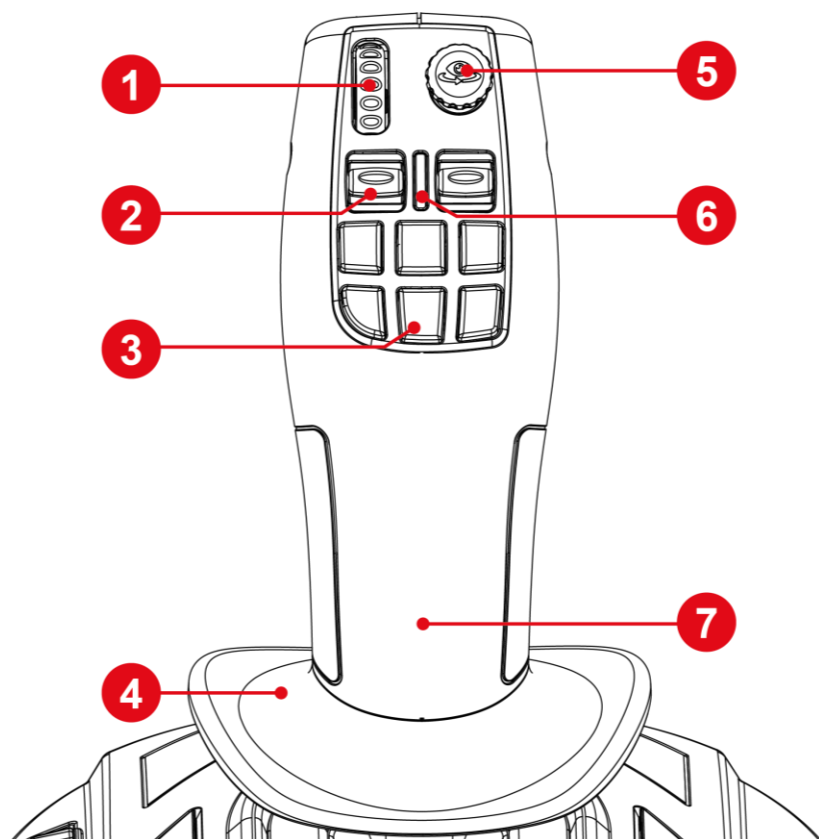


# 1. 包裝清單

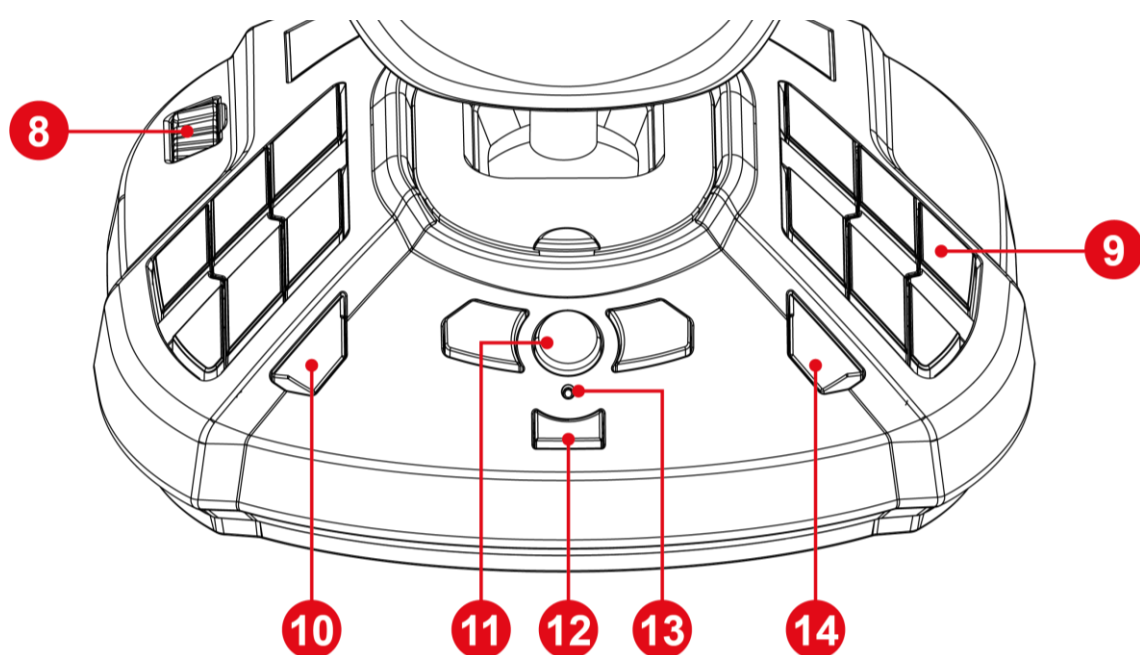




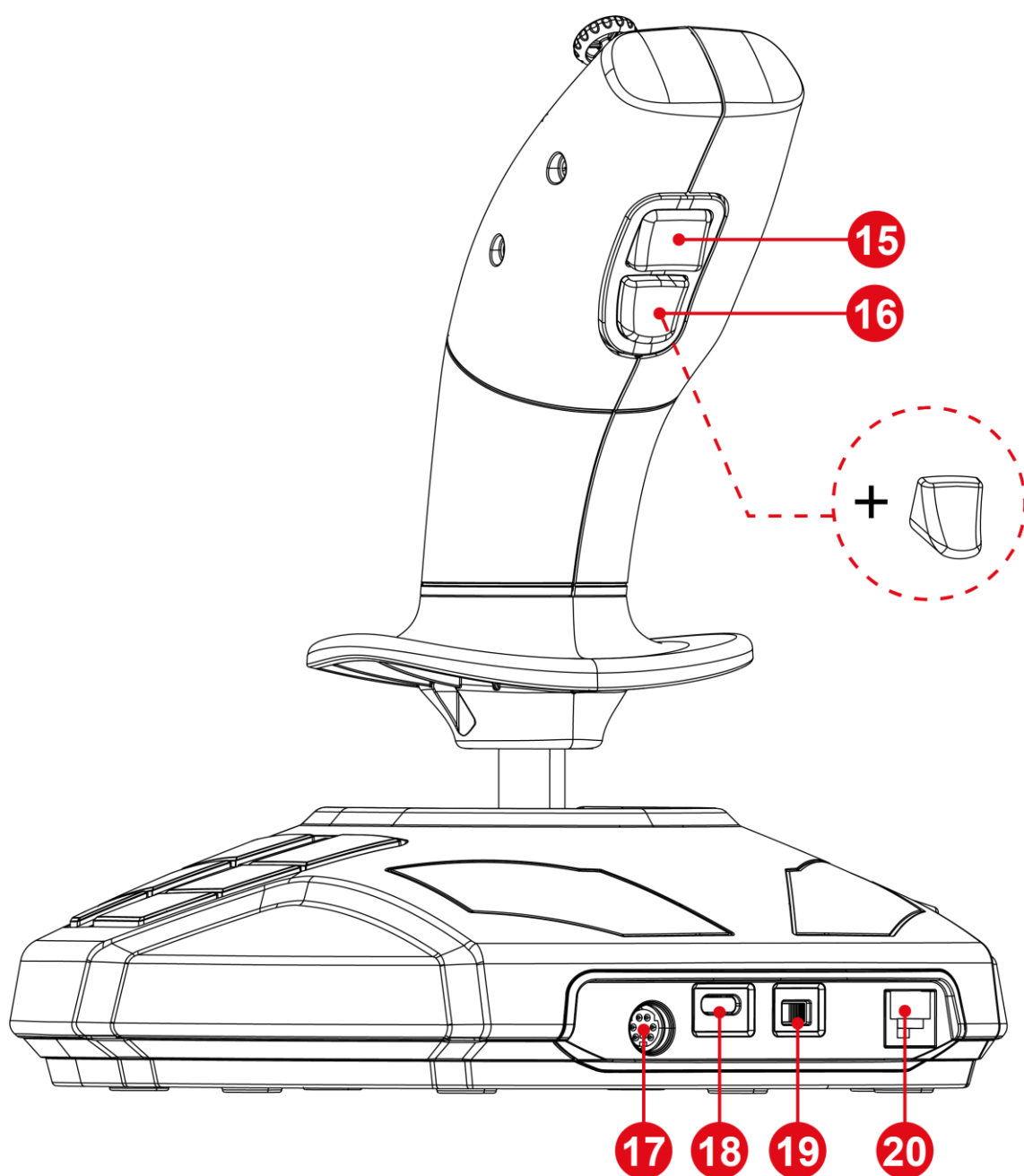
## 2. 特性



1. 拇指輪
2. 搖桿開關
3. 快速操作按鈕
4. 掌托
5. 「視角」迷你操作桿
6. 操作桿模式 **LED** 指示燈
7. 左右手通用的手柄



- 8. 節流閥
- 9. 可編程的操作按鈕
- 10. View (視圖) 按鈕
- 11. Xbox 按鈕
- 12. Share (分享) 按鈕
- 13. 指示燈
- 14. Menu (功能表) 按鈕



- 15. 操作桿模式變更按鈕
- 16. 可更換的操作扳機
- 17. DIN 埠，用於連接更多配件\*
- 18. USB-C 埠
- 19. Xbox / PC 選取器
- 20. RJ12 埠，用於連接 TFRP 方向舵\*

\*另售





### 3. 用法資訊



#### 文檔

在使用本產品之前，請仔細重讀本文件，並妥善儲存以備日後參考。



## 觸電

- 請將本產品置於乾燥的位置，切勿將其暴露在灰塵或陽光中。
- 觀察連接方向。
- 切勿扭曲或拉扯接頭和連接線。
- 切勿讓任何液體濺到本產品或其接頭上。
- 切勿造成本產品短路。
- 切勿拆解本產品；切勿將其投入火中，亦勿將其暴露在高溫環境中。
- 切勿拆開本裝置：內部沒有任何可由使用者維修的零部件。任何維修工作均須由製造商、指定代理商或持證技工執行。



### 保護遊戲區的安全

- 請勿在遊戲區內放置任何可能擾亂使用者練習的物體，或可能引起不適當的動作或被他人打斷的物體（例如咖啡杯、電話、鑰匙）。
- 請勿用地毯、小地毯、毛毯、覆蓋物或任何其他物品覆蓋電源線，也不要將電源線佈設在有人走動的地方。



## 4. 瞭解您的搖桿

### 主要賣點

- 33 個按鈕和 6 個虛擬按鈕，包括一個拇指輪和兩個搖桿開關
- 6 個軸，包括迷你操作桿、搖桿的手柄旋轉和節流閥
- 操作桿模式 LED 指示燈
- H.E.A.R.T. 技術 (HallEffect AccuRate Technology)
- 連接到 USB-A 埠
- 節流閥
- RJ12 埠，用於連接 TFRP 方向舵\*

\*另售



## **H.E.A.R.T. (Hall Effect AccuRate Technology) 精準感應技術**

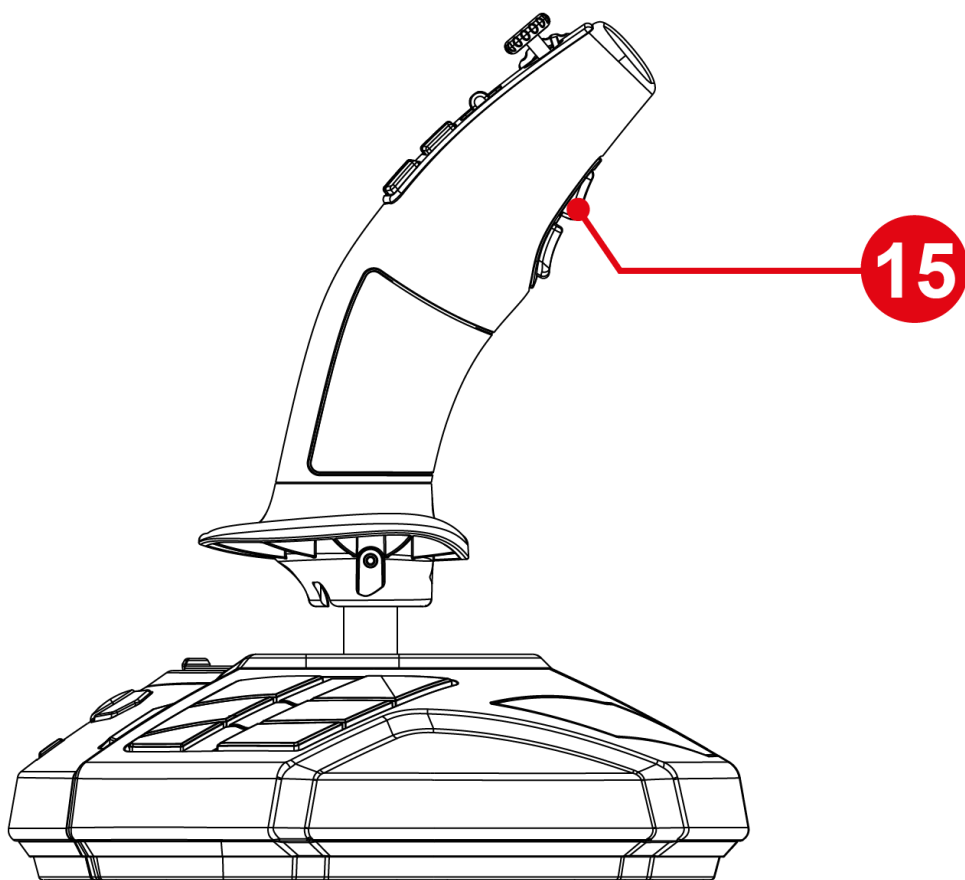
SimTask FarmStick 的精度在當今遊戲搖桿領域堪稱出類拔萃，這得歸功於其採用了眾多先進技術，包括：

- 操作桿上設有 3D（Hall 效應）磁性感應器，X 軸和 Y 軸的解析度值超過 2.68 億個值（16384 x 16384 個值）。
- 磁力技術：無摩擦，從而帶來超乎尋常的精準體驗和難以置信的回應能力。
- 操作桿上裝有發條（2.8 毫米）：可實現穩固、超平滑的線性張力。



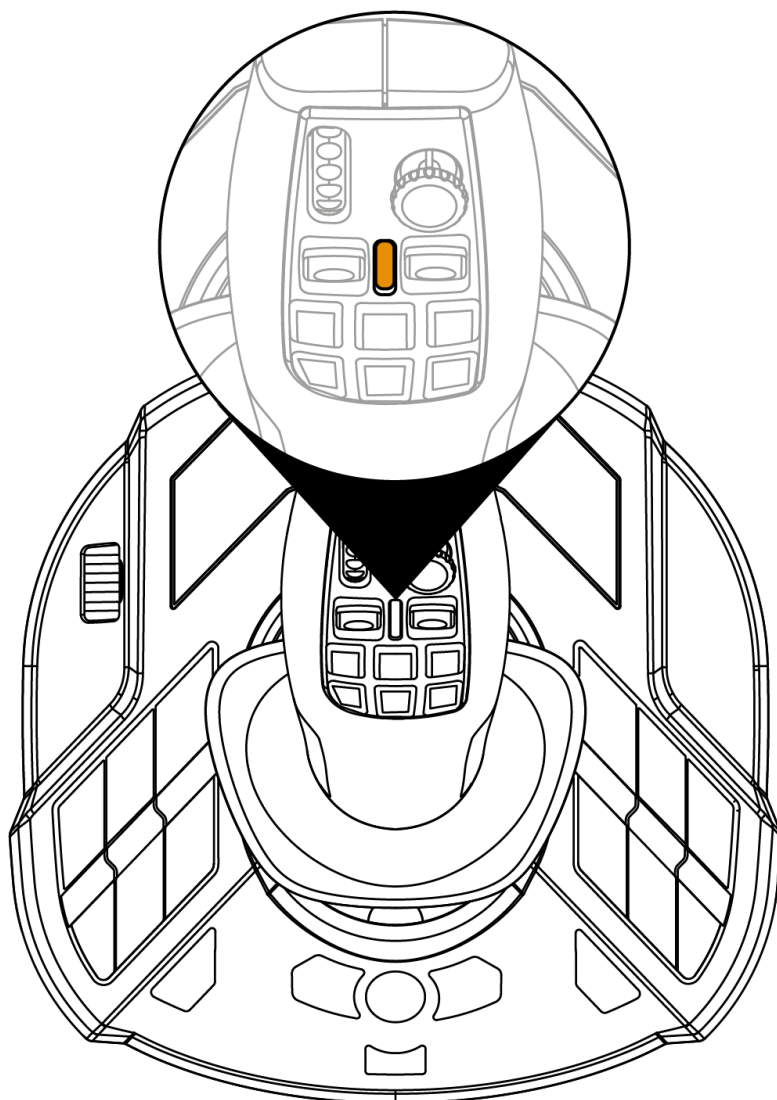
## 駕駛模式 <> 工作模式

透過按鈕 **15**，您可以在**駕駛**模式和工作模式之間來回切換。



此功能擴展了能夠透過拇指（例如透過拇指輪 **1** 和兩個搖桿開關 **2**）執行的操作範圍。

變更模式會修改與拇指輪 **1** 和兩個搖桿開關 **2** 相關聯的操作。



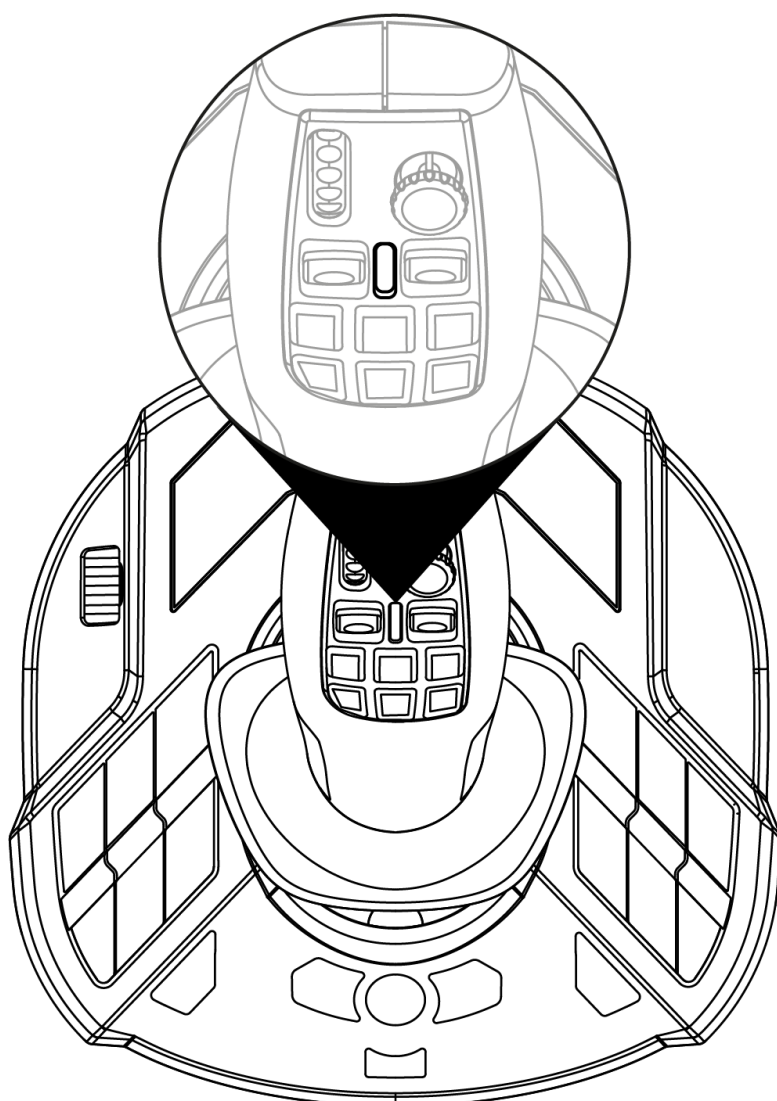
### 駕駛模式（預設）

在**駕駛**模式下，操作桿模式 LED 指示燈 ⑥ 會呈橙色亮起。



在**駕駛**模式下，與拇指輪 ① 和搖桿開關 ② 相關聯的操作如下所示：

- 拇指輪：控制調節器的設定值。
- 搖桿開關：變速箱管理。



## 工作模式

在工作模式下，操作桿模式 LED 指示燈 ⑥ 會呈白色亮起。



在工作模式下，與拇指輪 ① 和搖桿開關 ② 相關聯的操作如下所示：

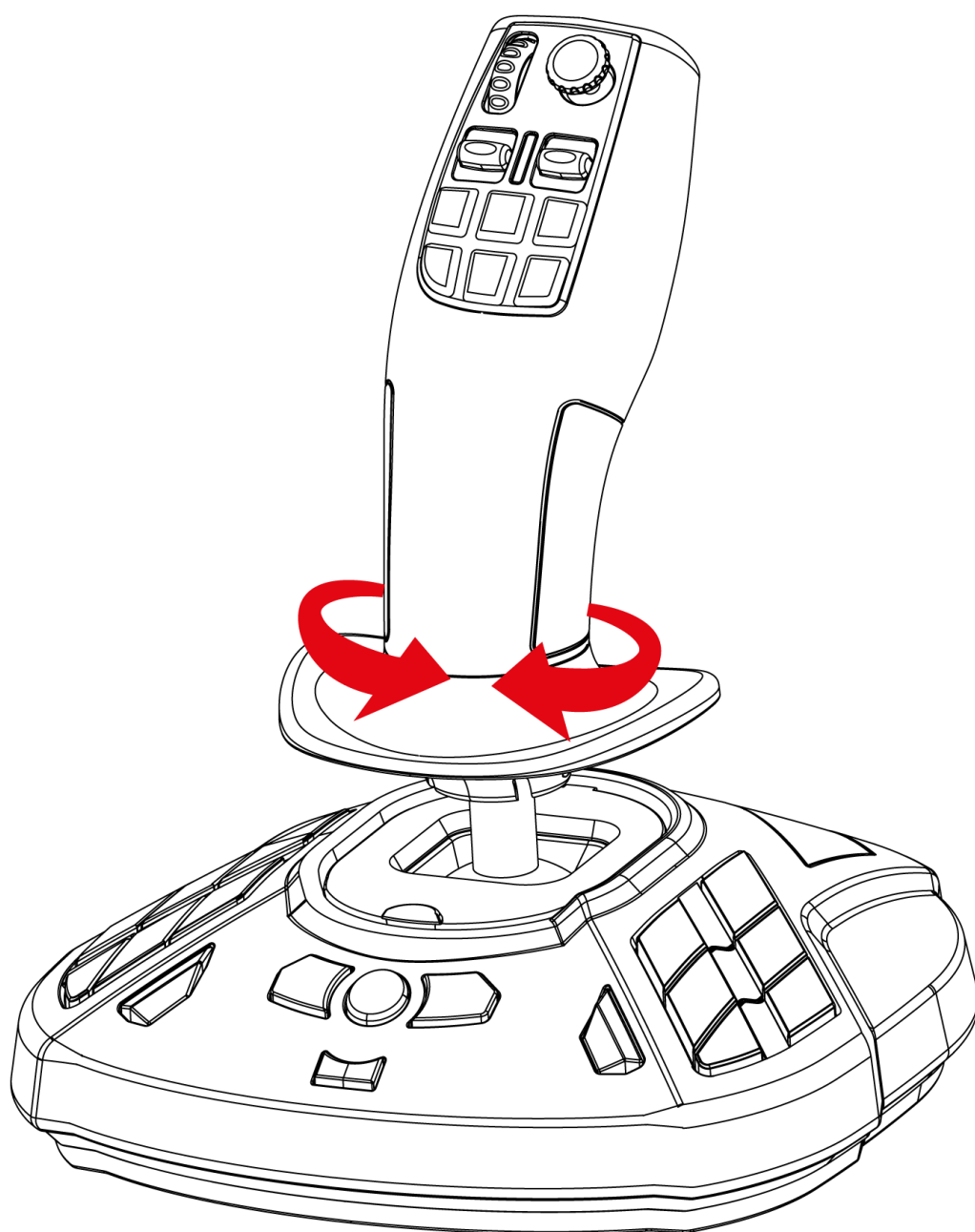
- 拇指輪：控制攝像頭的縮放。
- 搖桿開關：控制起重臂或裝載機。





## 旋轉手柄

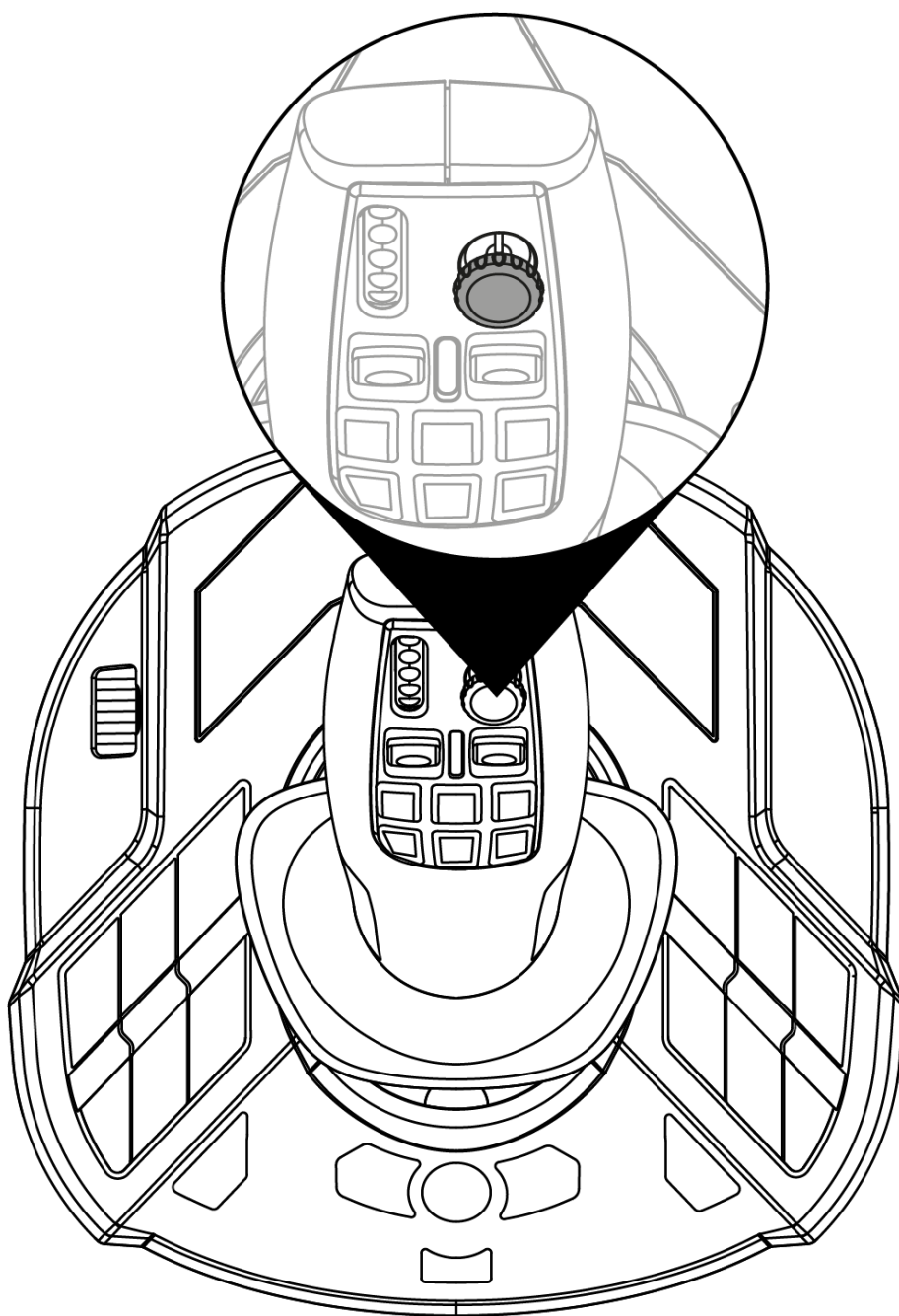
SimTask FarmStick 配備一個手柄，可沿其水平軸進行旋轉。例如，此功能可用於操縱起重機頭或挖掘機。





## 「視角」迷你操作桿

SimTask FarmStick 配備「視角」迷你操作桿 ⑤，可讓您檢視機器操作工的視野。





## **SimTask FarmStick 在 Xbox**

### **Series X|S\* 和 PC\* 上的連接功能**

SimTask FarmStick 配備 6 個軸，但也提供將 TFRP\*\* 方向舵連接到搖桿背部的選擇。這樣可以為您提供兩個額外的軸，還可利用 TFRP 控制方向舵。

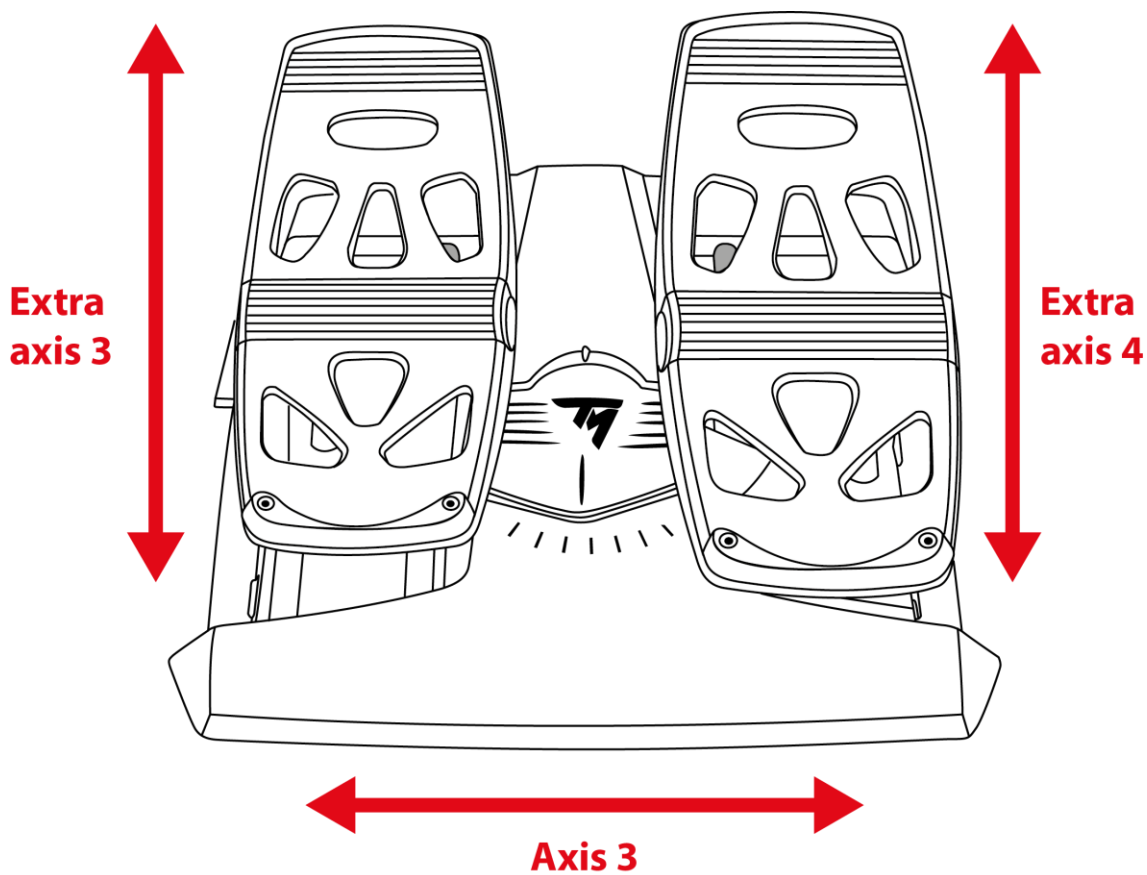


TFRP 方向舵是唯一在 Xbox Series X|S 和 PC 上均受支援的裝置。

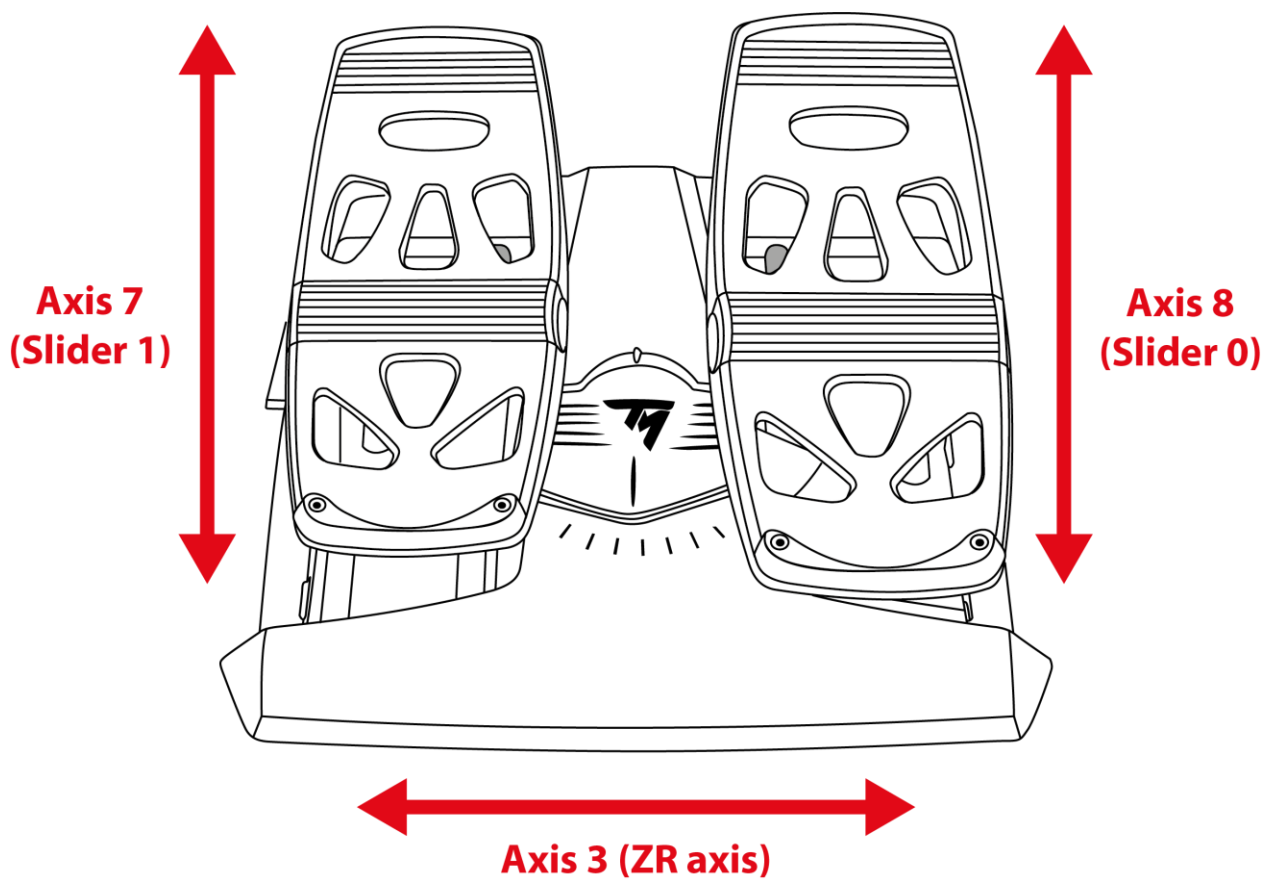
\*未提供 / \*\*另售



針對 Xbox 的對應：



針對 PC 的對應：





## 右利手和左利手搖桿組態

SimTask FarmStick 是左右手通用的裝置，可無縫適應所有玩家的用手習慣，無論是右利手還是左利手。

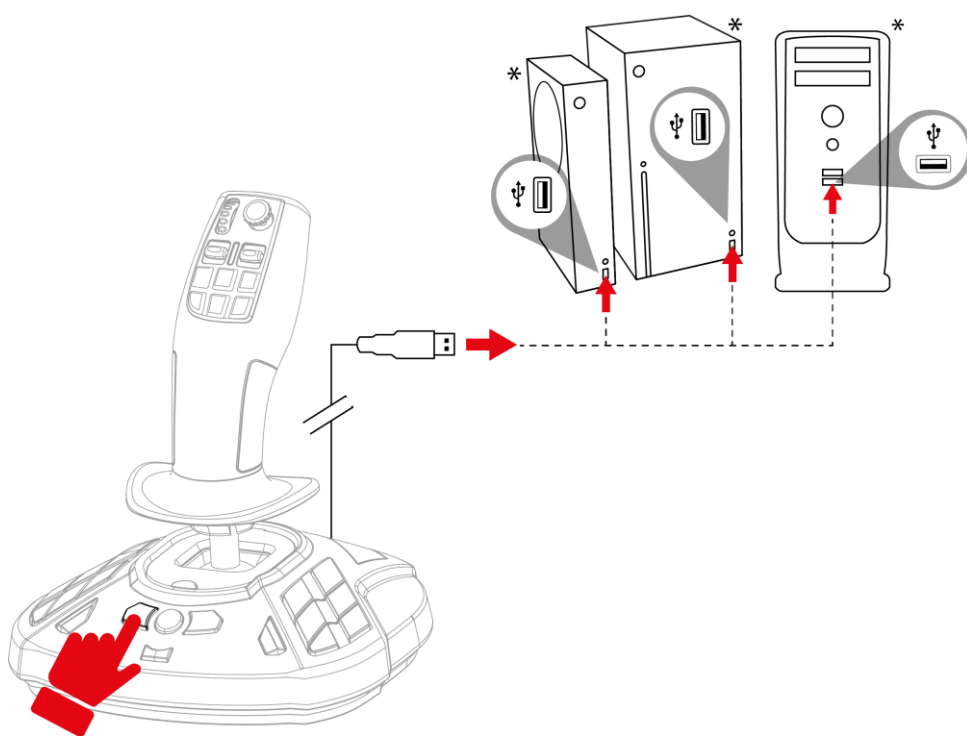
預設情況下，搖桿設定為右利手模式。



要將搖桿設定為左利手模式，請：

1. 在保持將 SimTask FarmStick 連接到 Xbox Series X|S 或 PC 的同時，按住按鈕 14 (PC 上) 或 Prev (Xbox Series X|S 上) 不放。

操作桿 LED 指示燈 **6** 將會呈白色閃爍五秒鐘。



2. 鬆開按鈕 14 (PC 上) 或 Prev (Xbox Series X|S 上) 。



左利手模式將會自動儲存到 SimTask FarmStick 的內建記憶體中。

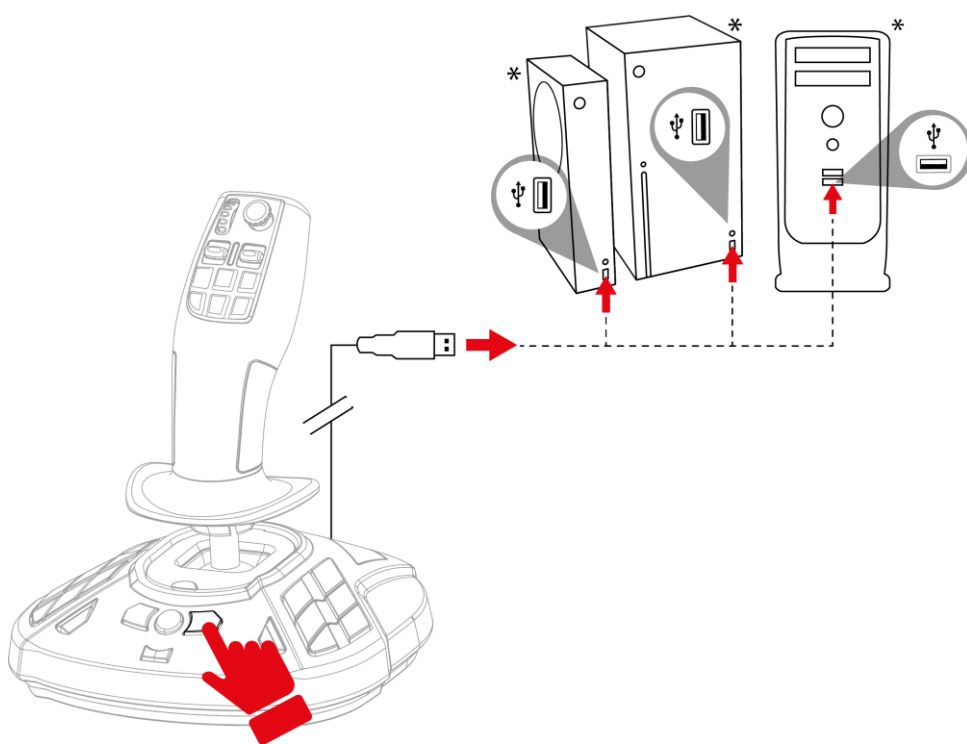
\*未提供



要將搖桿重置為右利手模式，請：

1. 在保持將 SimTask FarmStick 連接到 Xbox Series X|S 或 PC 的同時，按住按鈕 16 (PC 上) 或 Next (Xbox Series X|S 上) 不放。

操作桿 LED 指示燈 ⑥ 將會呈橙色閃爍五秒鐘。



2. 鬆開按鈕 16 (PC 上) 或 Next (Xbox Series X|S 上) 。



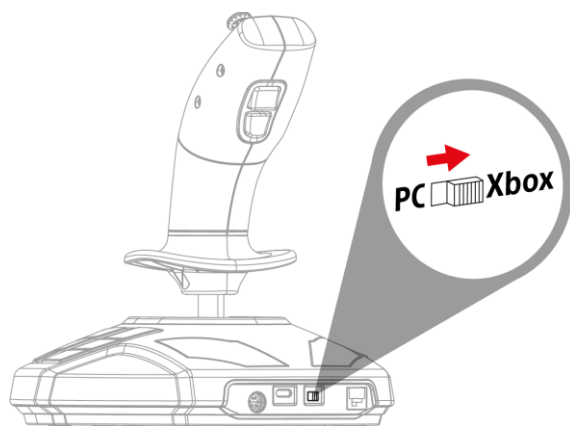
右利手模式將會自動儲存到 SimTask FarmStick 的內建記憶體中。

\*未提供

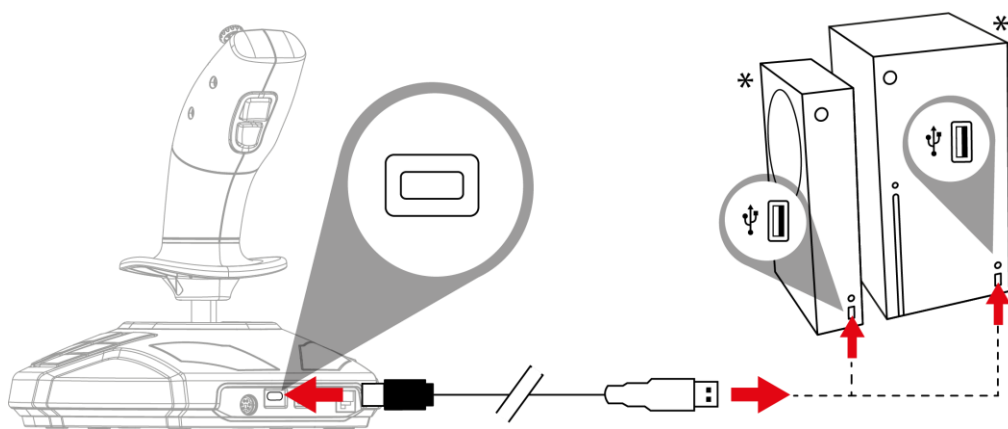


## 5. 在 XBOX SERIES X|S 上安裝

1. 將搖桿背部的開關 19 設定為 Xbox 位置。



2. 將 USB-C 轉 USB-A 連接線的兩端分別插接到搖桿的 USB-C 埠 18 上和主機\*的某個 USB-A 埠上。

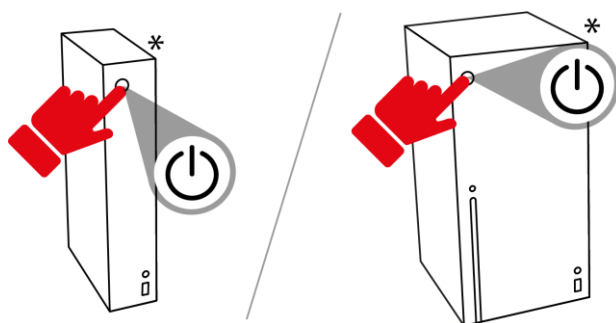


\*未提供

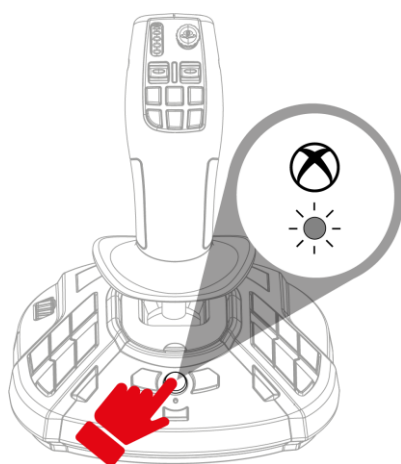




3. 開啟主機電源。



4. 按 Xbox 按鈕。搖桿指示燈將會發白光。



5. 啟動相容的遊戲。

現在即可開始玩遊戲了！

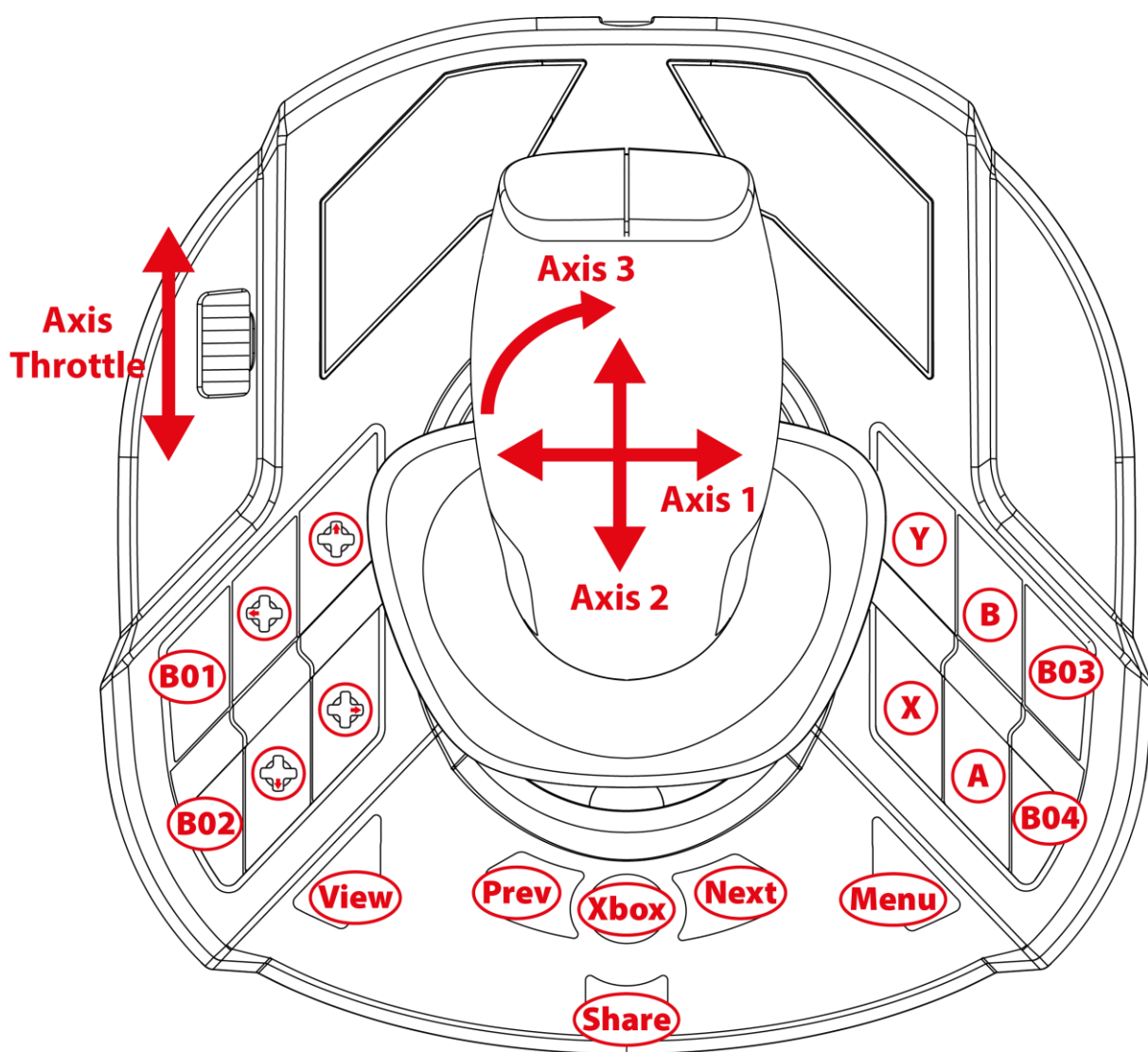


連接搖桿時，請始終將手柄置於中心位置，切勿移動或旋轉手柄，以免出現任何校準問題。

\*未提供



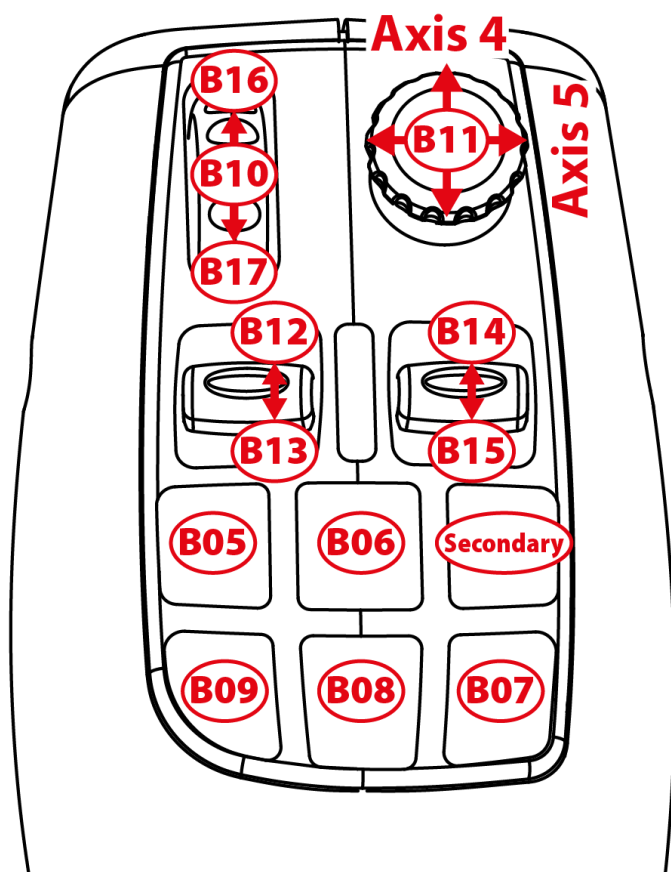
## 6. Xbox 對應



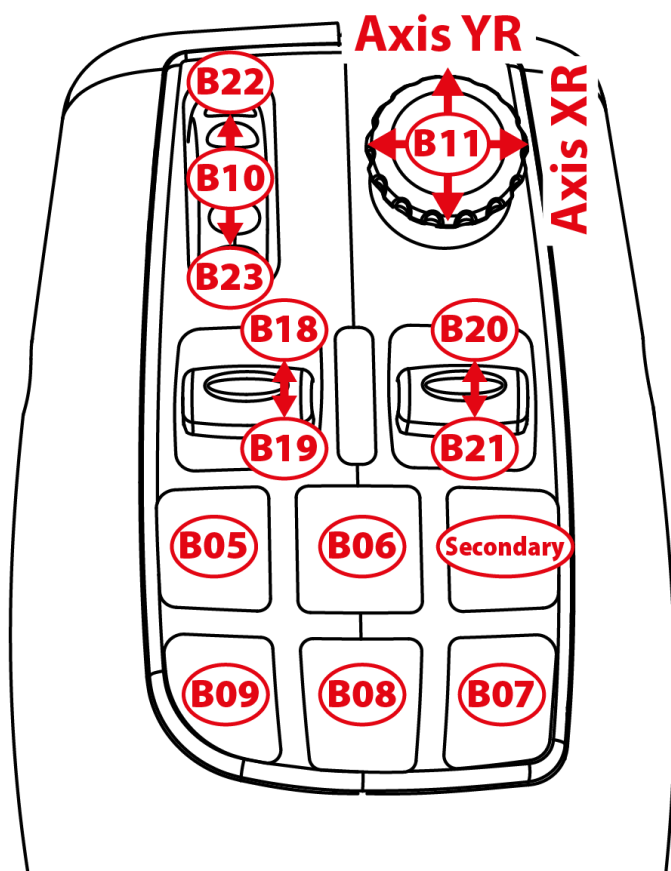
右利手模式和左利手模式下的對應完全相同。

可透過遵循此程式選取右利手（預設）/左利手模式。

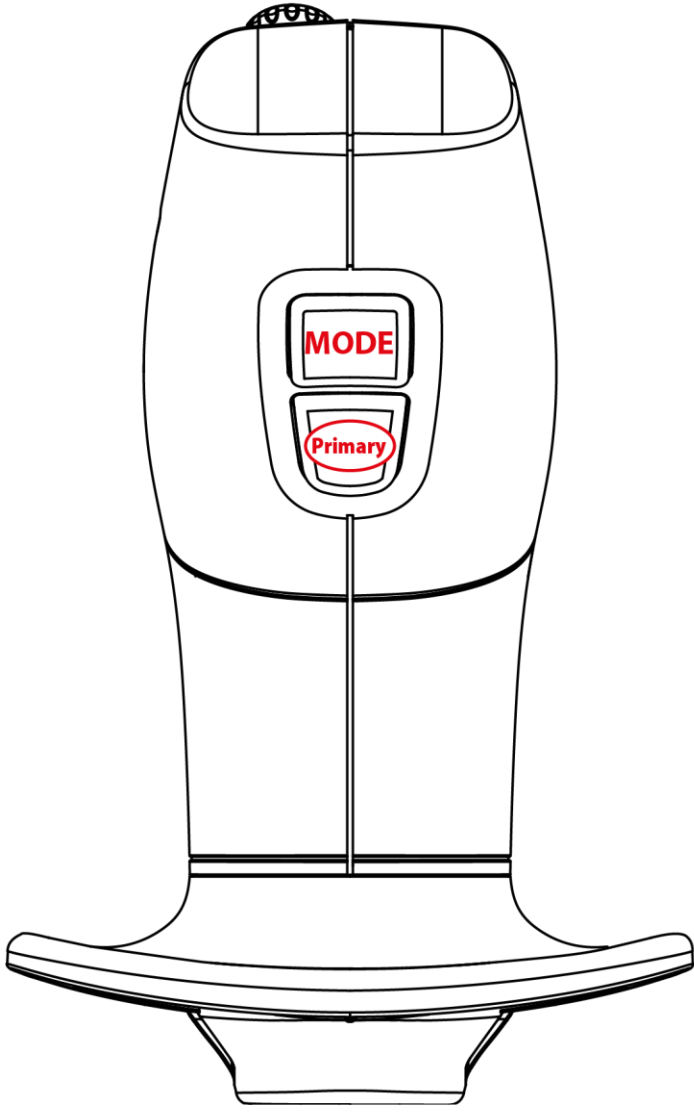
當您同時使用兩個搖桿時，此模式有助於您區分這兩個搖桿。



駕駛模式



工作模式





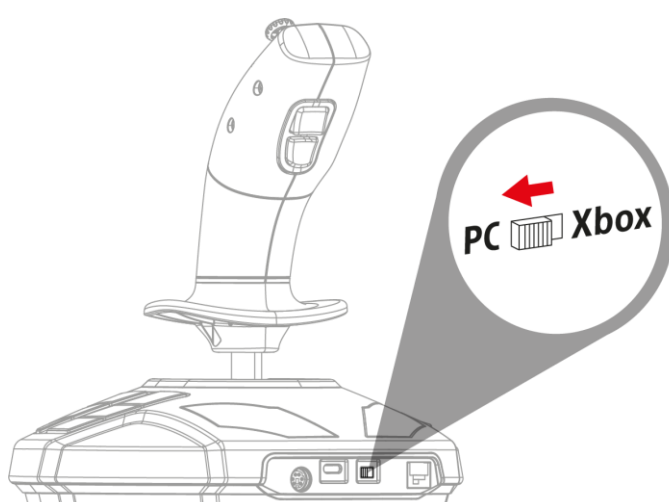
## 7. 在 PC 上安裝

1. 請瀏覽：

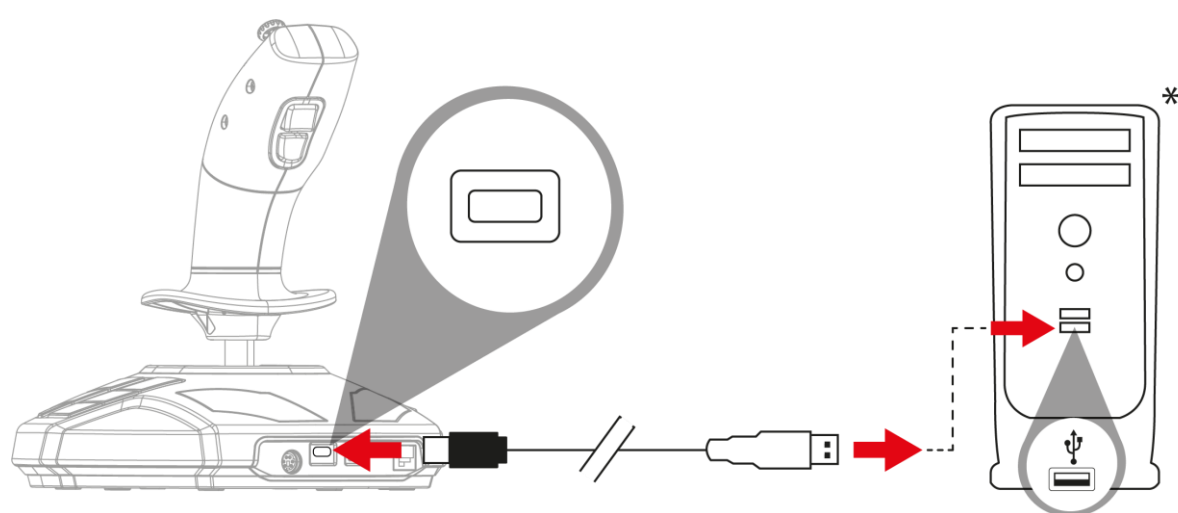
<https://support.thrustmaster.com/product/simtask-farmstick-x/>。

2. 下載並安裝 PC 驅動程式及其基於 Windows 控制台的自訂介面。

3. 安裝 PC 驅動程式之後，將搖桿背部的開關 19 設定為 PC 位置。



4. 將 USB-C 轉 USB-A 連接線的兩端分別插接到搖桿的 USB-C 埠 18 上和 PC\* 的某個 USB-A 埠上。



\*未提供



5. 選取 **開始/設定/控制台**，然後按兩下**遊戲控制器**。**遊戲控制器**對話方塊顯示搖桿的名稱，狀態顯示為 **OK**。
6. 在**控制台**窗口中，按一下**內容**，可測試和檢視所有功能。您也可以選取右利手模式（預設）或左利手模式。

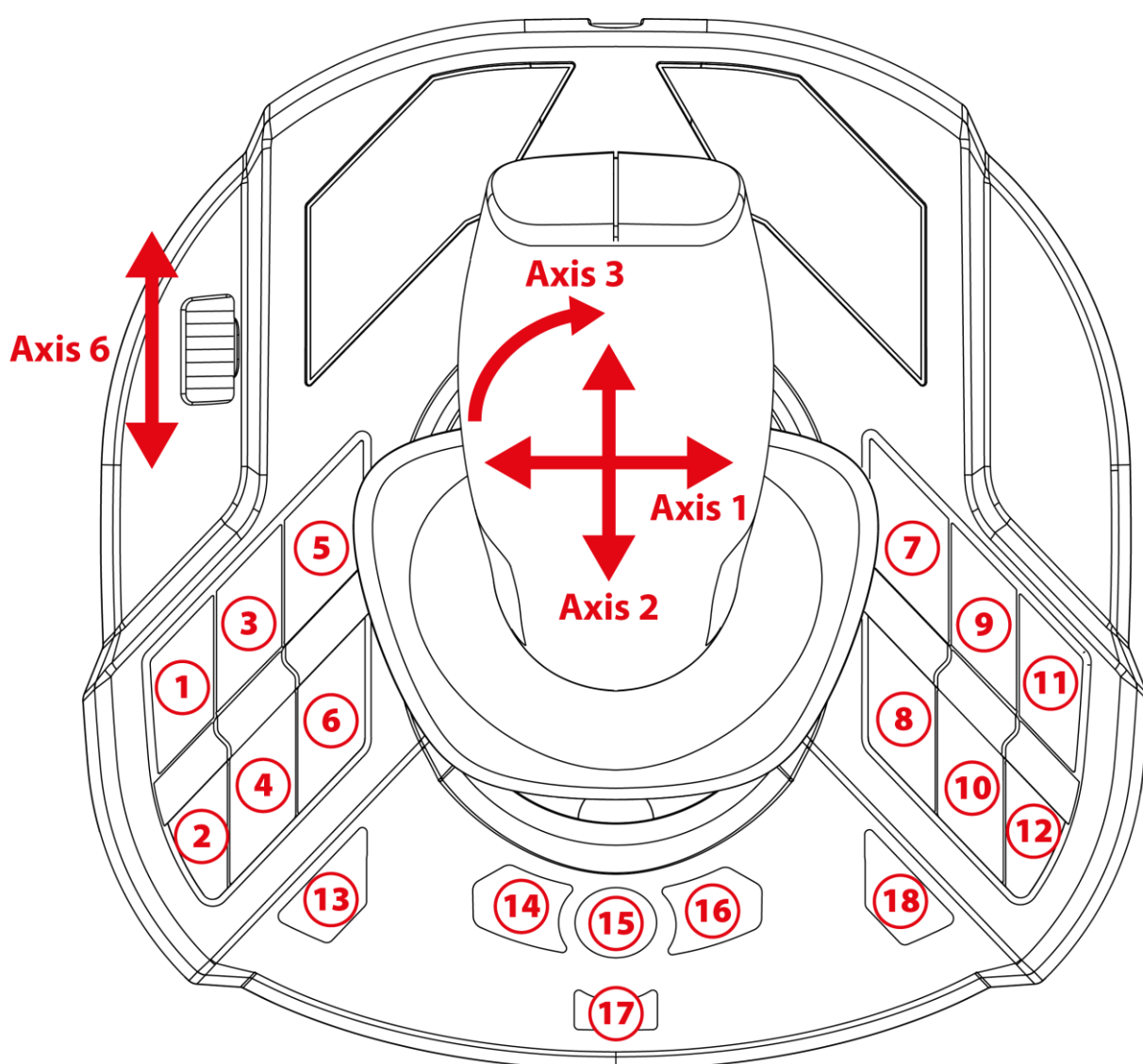
現在即可開始玩遊戲了！



連接搖桿時，請始終將手柄置於中心位置，切勿移動或旋轉手柄，以免出現任何校準問題。

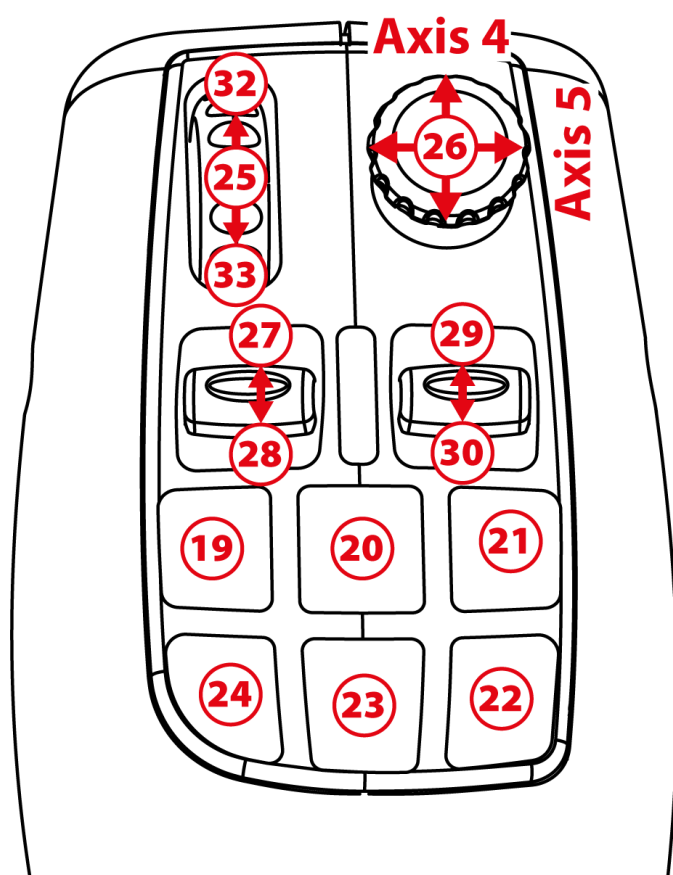


## 8. PC 對應

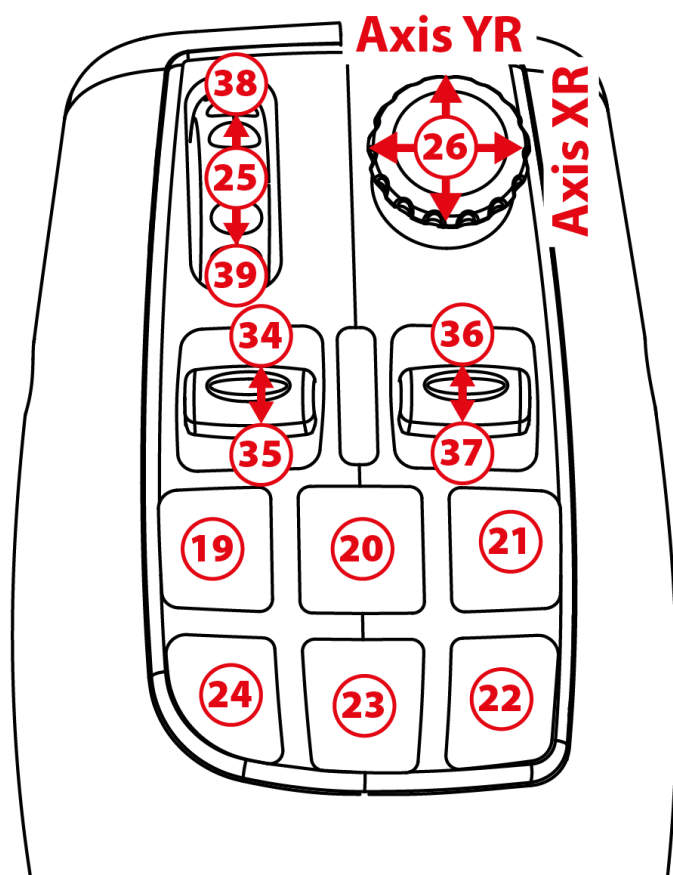


右利手模式和左利手模式下的對應完全相同。

可透過遵循此程式或者在**控制台**中選取右利手（預設）/左利手模式。當您同時使用兩個搖桿時，此模式有助於您區分這兩個搖桿。

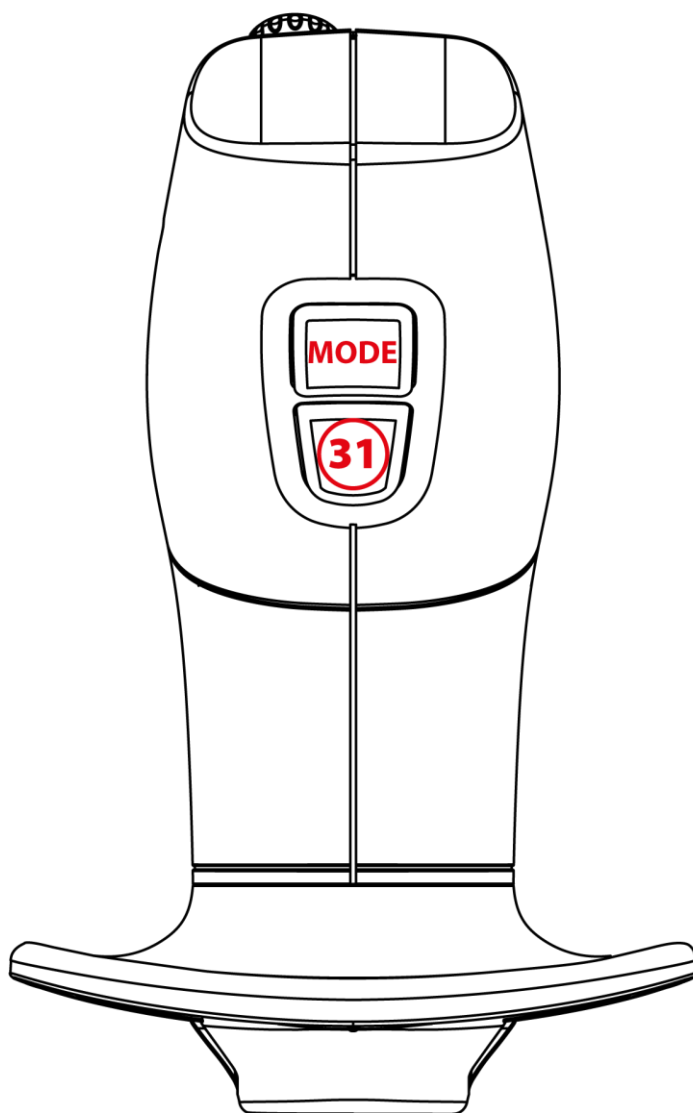


駕駛模式



工作模式

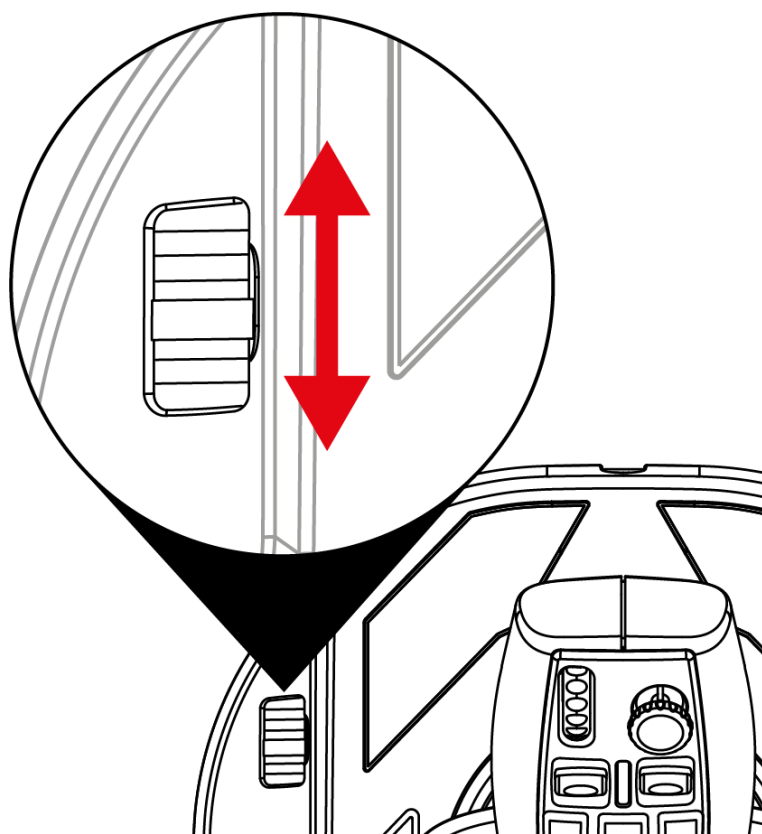






## 9. 節流閥

您的搖桿配備一個節流閥 **8**，讓您能夠輕鬆控制引擎速度。

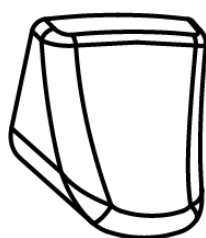




## 10. 可更換的扳機

您的搖桿配備一個可更換的操作扳機 **16**，其提供不同的人體工學遊戲體驗。

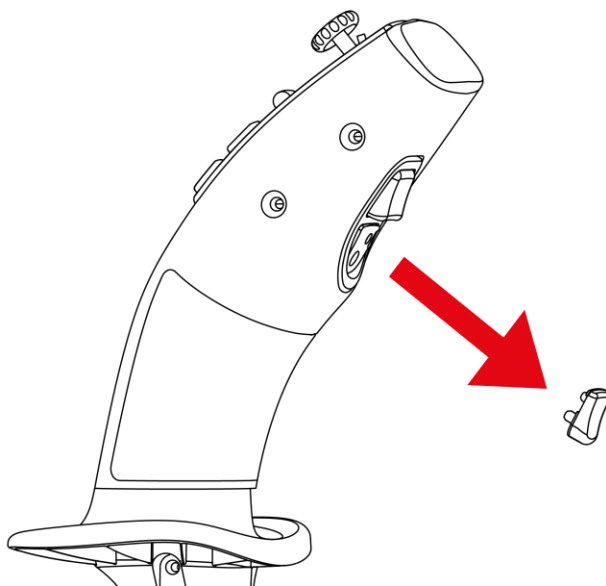
預設安裝的扳機可更換為適合飛行模擬的扳機（隨 SimTask FarmStick 提供）。



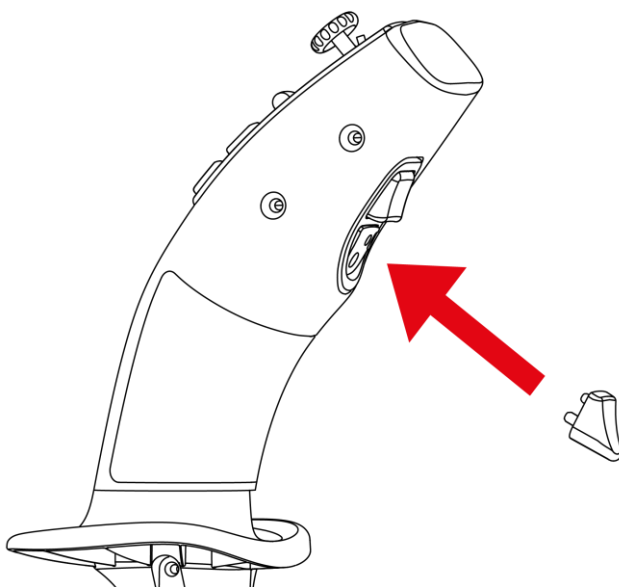


要更換扳機，請：

1. 將手指置於扳機的某一側並小心拉動扳機。



2. 將新扳機置於正確的安裝位置。



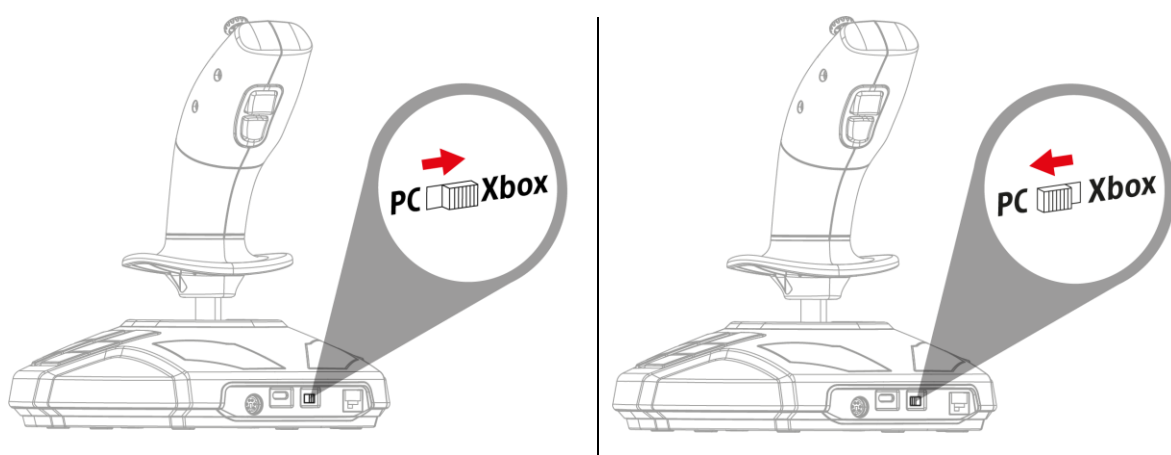
中心銷必須固定在操作桿中的正確位置。切勿強行插入扳機，因為這可能會損壞銷釘。



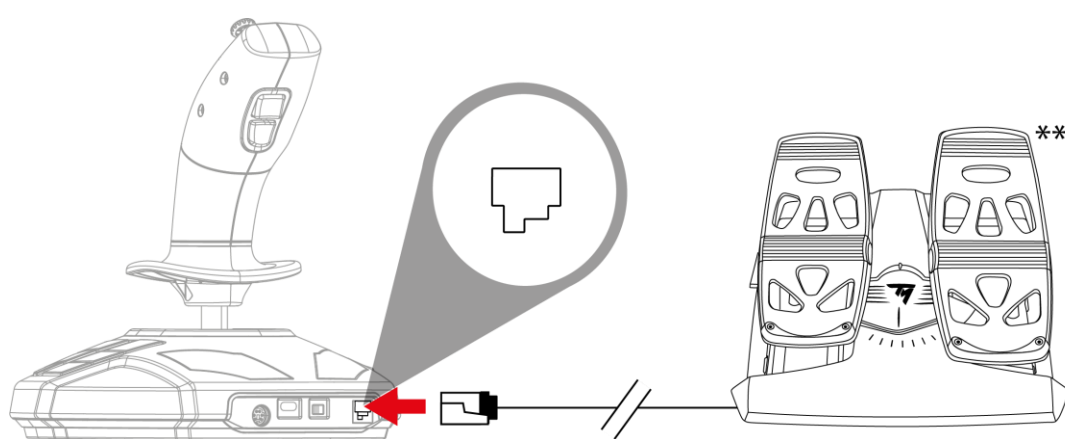
# 11. 在 Xbox Series X|S\* 或 PC\* 上安裝 TFRP 方向舵\*\*

TFRP\*\* 方向舵插接到 SimTask FarmStick 中。

1. 將搖桿背部的開關 19 設定為 Xbox 或 PC 位置。



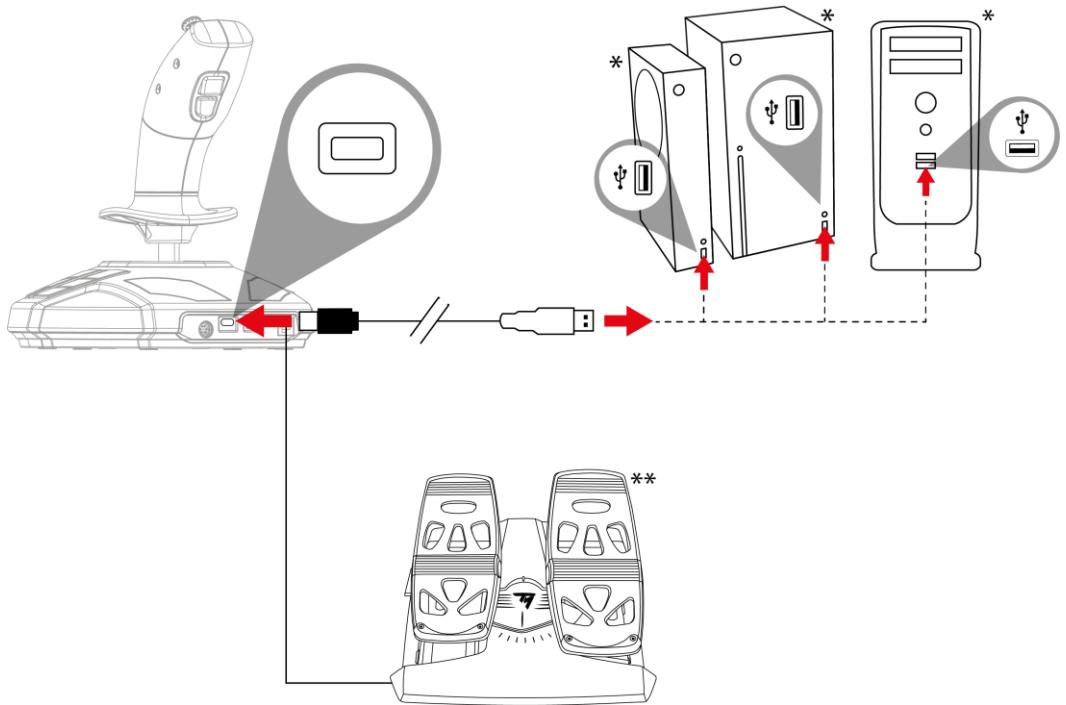
2. 將 TFRP 方向舵\*\*的 RJ12 連接線插接到搖桿背部的 RJ12 埠 20 上。



\*未提供 / \*\*另售



3. 將 USB-C 轉 USB-A 連接線的兩端分別插接到搖桿的 USB-C 埠 18 上和主機\*或 PC\* 的 USB-A 埠上。



- 連接搖桿時，請始終將手柄置於中心位置，切勿移動或旋轉手柄，以免出現任何校準問題。
- 將方向舵連接到搖桿時，請始終將方向舵的軸置於中心位置，切勿將腳放在方向舵踏板上，以免出現任何校準問題。

\*未提供 / \*\*另售



## 12. 常見問題解答和技術支援

### *我的搖桿運作不正常，或看上去校準不當。*

- 關閉主機或電腦並斷開與搖桿的連接；然後重新開啟主機或電腦，重新連接搖桿，並重啟遊戲。
- 連接搖桿時，請始終將手柄置於中心位置，切勿移動或旋轉手柄，以免出現任何校準問題。
- 將方向舵連接到搖桿時，請始終將方向舵的軸置於中心位置，切勿將腳放在方向舵踏板上，以免出現任何校準問題。



## 我無法設定我的搖桿。

- 在遊戲的**選項/控制器/遊戲手把**或**搖桿**功能表中，選擇適當的組態，或重新配置控制器選項。
- 有關詳細資訊，請參閱遊戲的使用者手冊或線上說明。





## 我的搖桿太敏感或不夠敏感。

- 當您沿不同的軸移動幾次搖桿後，搖桿將自行獨立校準。
- 在遊戲的**選項/控制器/遊戲手把**或**搖桿**功能表中：調整搖桿的敏感度和盲區（如果這些選項可用）。

您對 **SimTask FarmStick** 是否有任何疑問，或者您是否遇到任何技術問題？若有的話，請瀏覽 **Thrustmaster**（圖馬思特）技術支援網站：

<https://support.thrustmaster.com/product/simtask-farmstick-x/>。



# **THRUSTMASTER®**



# **SIMTASK FARMSTICK**

## **XBOX SERIES X|S – PC**

### 사용설명서



제품을 설치하기 전, 제품을 사용하기 전, 그리고 유지보수하기 전에 본 설명서에 제공된 지침을 주의 깊게 읽으십시오. 안전 지침을 따르십시오. 이 지침을 따르지 않으면 사고가 나거나 제품이 손상될 수 있습니다. 나중에 지침을 참조할 수 있도록 본 설명서를 보관하십시오.

# 목차

1. 박스 내용물.....	5
2. 기능 .....	6
3. 사용에 관한 정보 .....	9
4. 조이스틱 알아보기.....	12
주요 내용.....	12
<b>H.E.A.R.T. (HallEffect AccuRate Technology)</b>	
정밀 기술.....	13
운전 모드 <> 작업 모드 .....	14
회전 손잡이.....	17
"시점" 미니 스틱 .....	18
<b>Xbox Series X/S* 및 PC*에서의 SimTask</b>	
FarmStick 연결.....	19
오른손잡이 및 왼손잡이용 조이스틱 구성....	21

<b>5. XBOX SERIES X S 에 설치</b>	<b>24</b>
<b>6. XBOX 매핑</b>	<b>26</b>
<b>7. PC 에 설치</b>	<b>29</b>
<b>8. PC 매핑</b>	<b>31</b>
<b>9. 스톱</b>	<b>34</b>
<b>10. 교체 가능한 트리거</b>	<b>35</b>
<b>11. XBOX SERIES X S* 또는 PC*에서 TFRP 방향타**를 사용한 설치</b>	<b>37</b>
<b>12. 자주 묻는 질문 및 기술 지원</b>	<b>39</b>

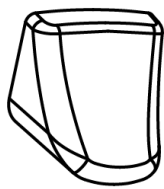
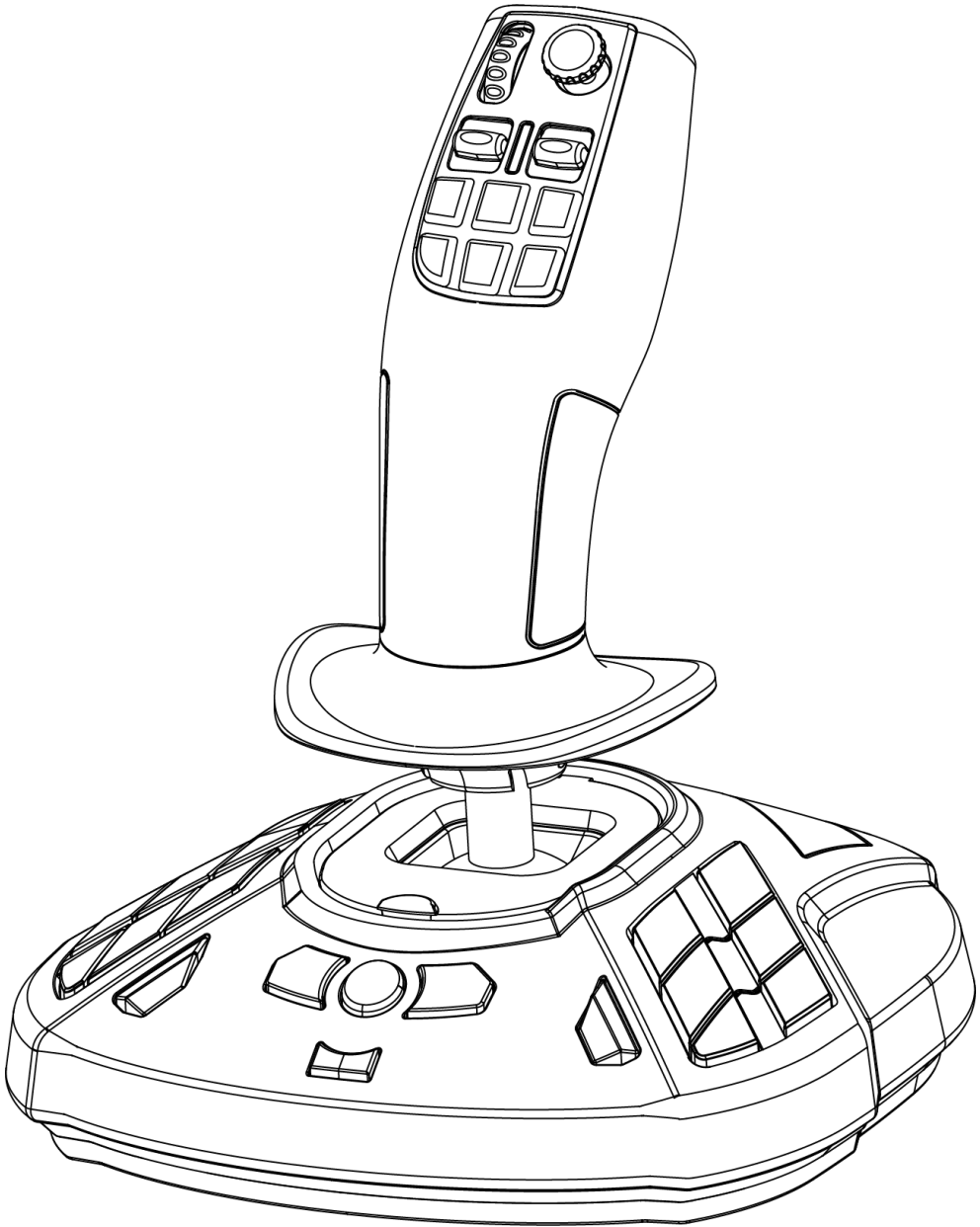


Thrustmaster 의 SimTask FarmStick 으로 농기계 및 건설 기계의 처리에 완벽하게 설계된 장치를 즐겨보세요. SimTask FarmStick 은 비행 시뮬레이션용 조이스틱으로도 사용할 수 있습니다.

본 매뉴얼은 최상의 조건에서 SimTask FarmStick 을 설치하고 사용하는 데 도움이 됩니다. 시작하기 전에 모든 수칙과 경고 내용을 잘 읽으시고 제품을 최대한 즐길 수 있도록 도와줄 것입니다.

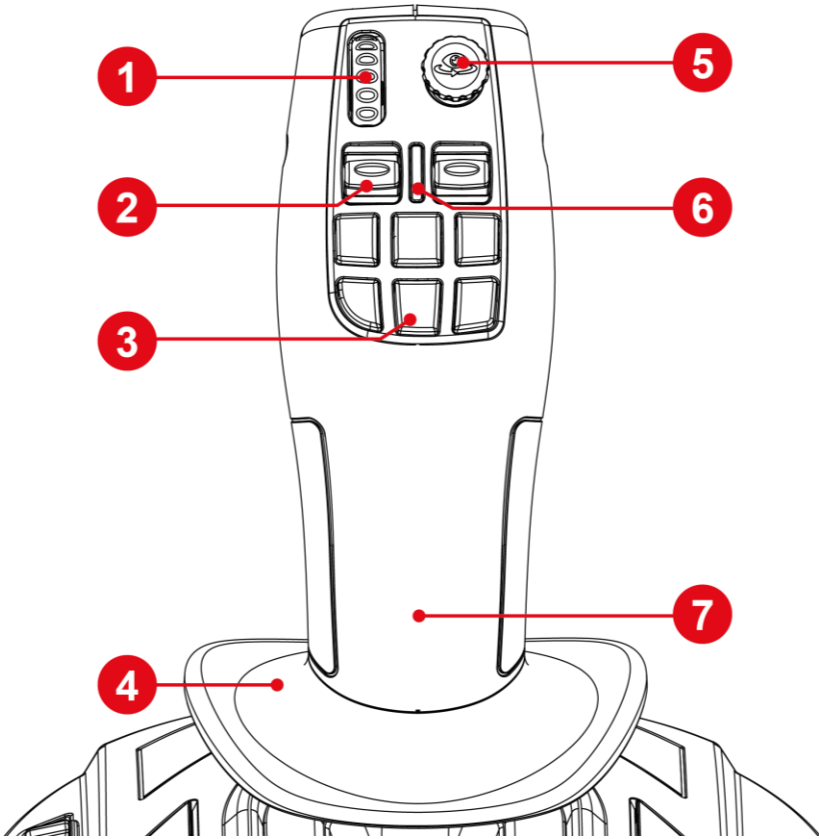


# 1. 박스 내용물

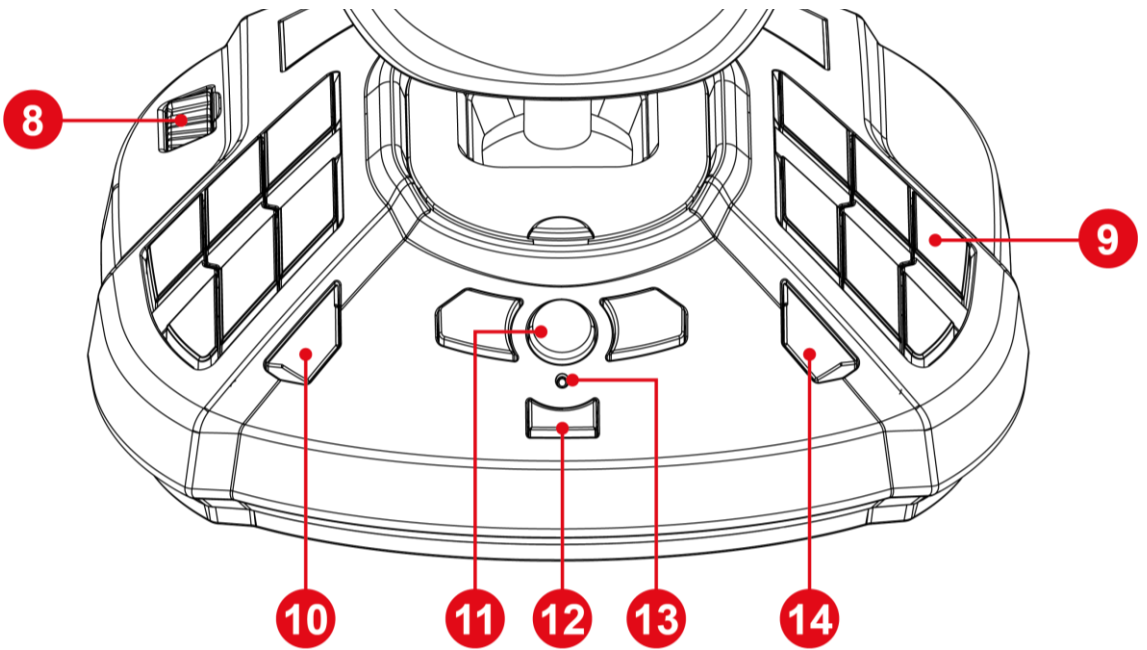




## 2. 기능



1. 심혈
2. 로커 스위치
3. 빠른 수행 버튼
4. 손 받침대
5. "시점" 미니 스틱
6. 스틱 모드 표시등 LED
7. 양손잡이용 핸들



8. 스토틀

9. 프로그램 작동이 가능한 액션 버튼

10. View (보기) 버튼

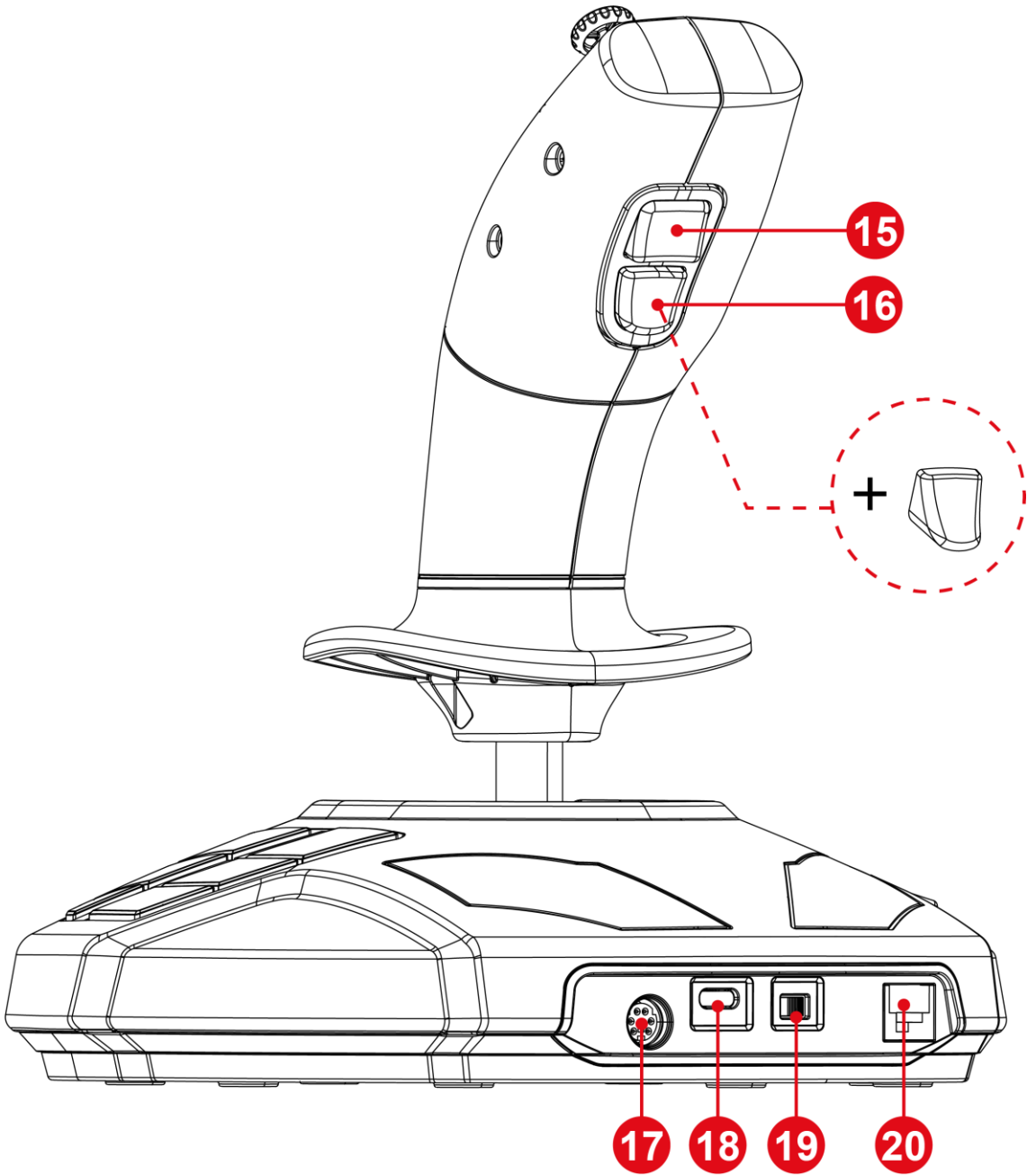
11. Xbox 버튼

12. Share(공유) 버튼

13. 표시등

14. Menu(메뉴) 버튼





- 15. 스틱 모드 변경 버튼
- 16. 교체 가능한 액션 트리거
- 17. 추가 액세서리용 DIN 포트\*
- 18. USB-C 포트
- 19. Xbox / PC 선택기
- 20. TFRP 방향타용 RJ12 포트\*

\*별도 판매



### 3. 사용에 관한 정보



#### 문서

이 제품을 사용하기 전에 본 문서를 다시 주의 깊게 읽고 나중에 참고할 수 있도록 보관하세요.



## 감전

- 본 제품은 건조한 곳에 보관해야 하며, 먼지나 태양광선에 노출시키지 마십시오.
- 연결 방향을 지켜주십시오.
- 커넥터 및 케이블을 비틀거나 잡아 당기지 마십시오.
- 본 제품이나 제품의 커넥터에 액체를 흘리지 마십시오.
- 제품을 단락(합선)시키지 마십시오.
- 절대 분해하지 마십시오. 불 속에 제품을 던지지 마십시오. 제품을 고온에 노출시키지 마십시오.
- 기기를 열지 마십시오. 기기 내부에는 사용자가 수리할 수 있는 부품이 없습니다. 모든 수리는 제조업체, 지정된 대리점 또는 자격을 갖춘 기술자가 수행해야 합니다.



### 게임 공간 확보

- 사용자 실천을 방해하거나 부적절한 움직임을 유발하거나 다른 사람에 의해 방해(예: 컵, 전화, 열쇠)를 유발할 수 있는 물체를 게임 구역에 배치하지 마십시오.
- 전원 케이블을 카펫 또는 러그, 담요 또는 다른 물건으로 덮지 마시고 사람들이 걸어 다니는 곳에 케이블을 두지 마십시오.



## 4. 조이스틱 알아보기

### 주요 내용

- 33 개의 버튼과 6 개의 가상축(섬휠 및 2 개의 로커 스위치 포함)
- 미니스틱, 조이스틱 핸들 회전, 스팀을 포함한 6 개 축
- 스틱 모드 표시등 LED
- H.E.A.R.T. 기술(HallEffect AccuRate Technology)
- USB-A 포트에 연결
- 스팀
- TFRP 방향타용 RJ12 포트\*

\*별도 판매



## **H.E.A.R.T. (HallEffect AccuRate Technology) 정밀 기술**

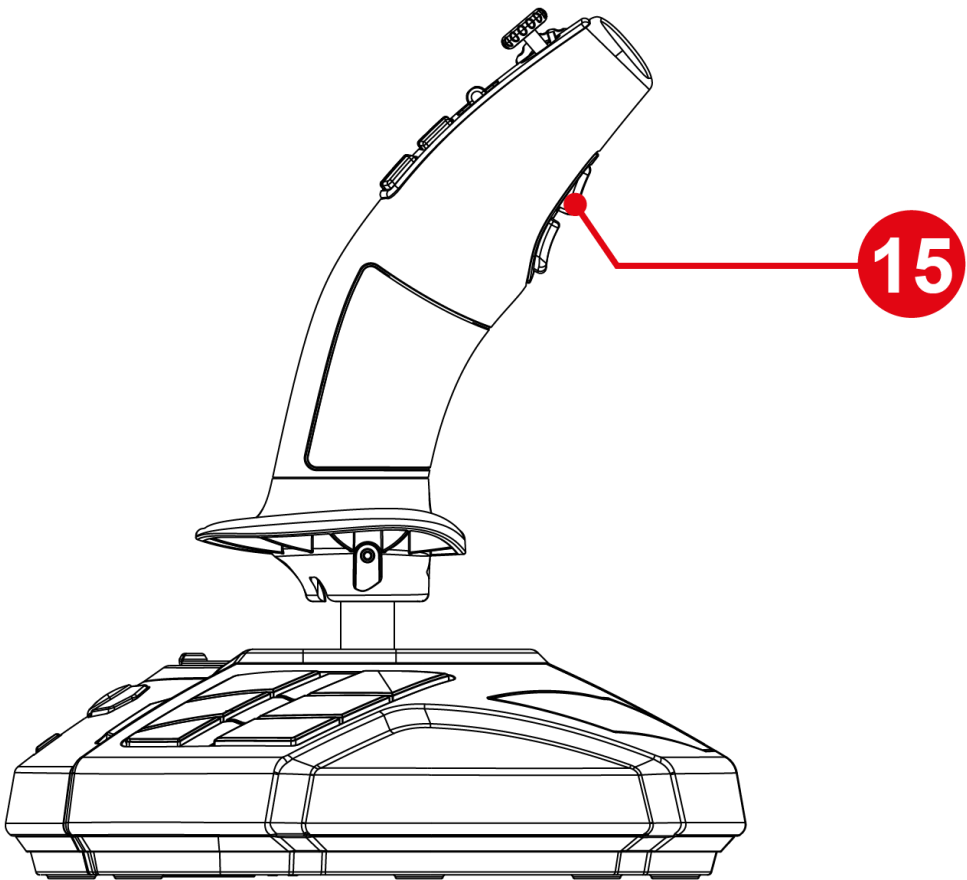
SimTask FarmStick 은 다음과 같은 게임 조이스틱의 세계에서 타의 추종을 불허하는 독보적인 수준의 정밀도를 제공하는 기술을 갖추고 있습니다.

- 스틱에 장착된 3D(Hall 효과) 마그네틱 센서와 모든 X 및 Y 축에 걸쳐 2 억 6,800 만 개 이상의 값(16,384 x 16,384 값)의 해상도.
- 자석: 마찰 없음, 제한 없이 정밀하며 놀라울 정도로 뛰어나고 지속된 반응성
- 스틱의 코일 스프링(2.8 mm): 단단하고, 선형이며 아주 부드러운 장력.



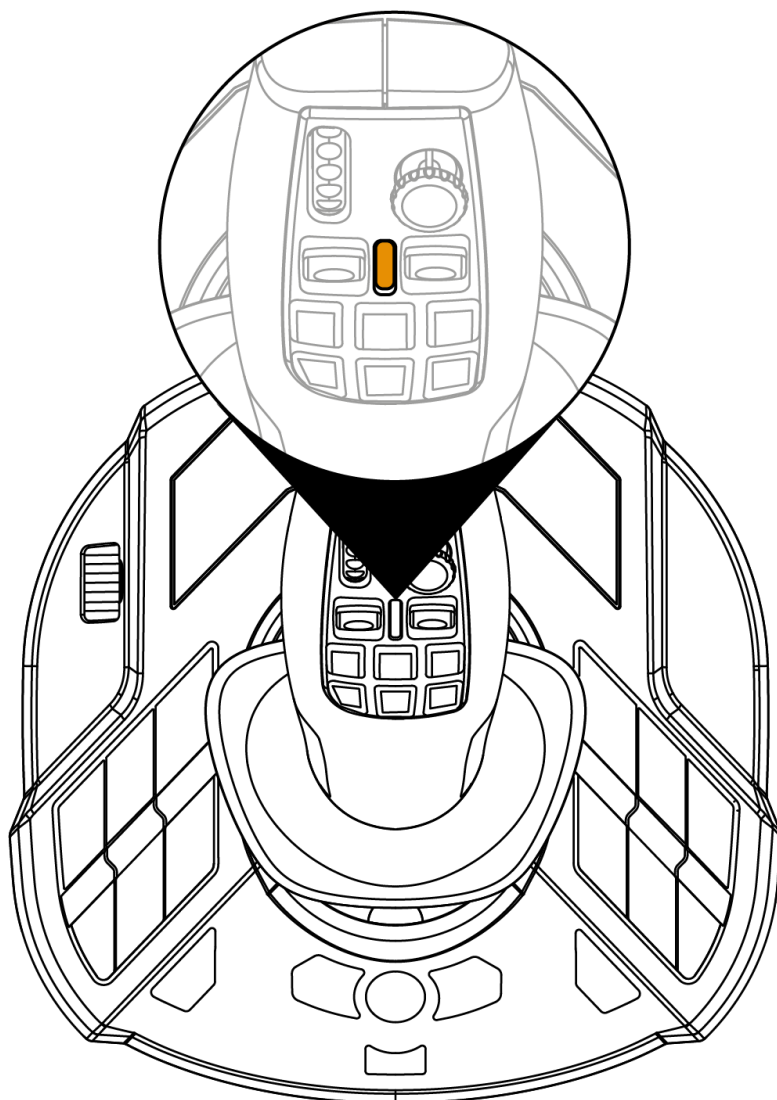
## 운전 모드 <math>\leftrightarrow</math> 작업 모드

버튼 15 으로 운전 모드에서 작업 모드로 전환하거나 그 반대로 전환할 수 있습니다.



이 기능은 엄지 손가락으로 수행할 수 있는 동작 범위(예: 섬휠 및 1 두 개의 로커 스위치 2)를 확장합니다.

모드를 변경하면 섬휠 1 과 두 개의 로커 스위치와 관련된 동작이 수정됩니다. 2



### 운전 모드(기본값)

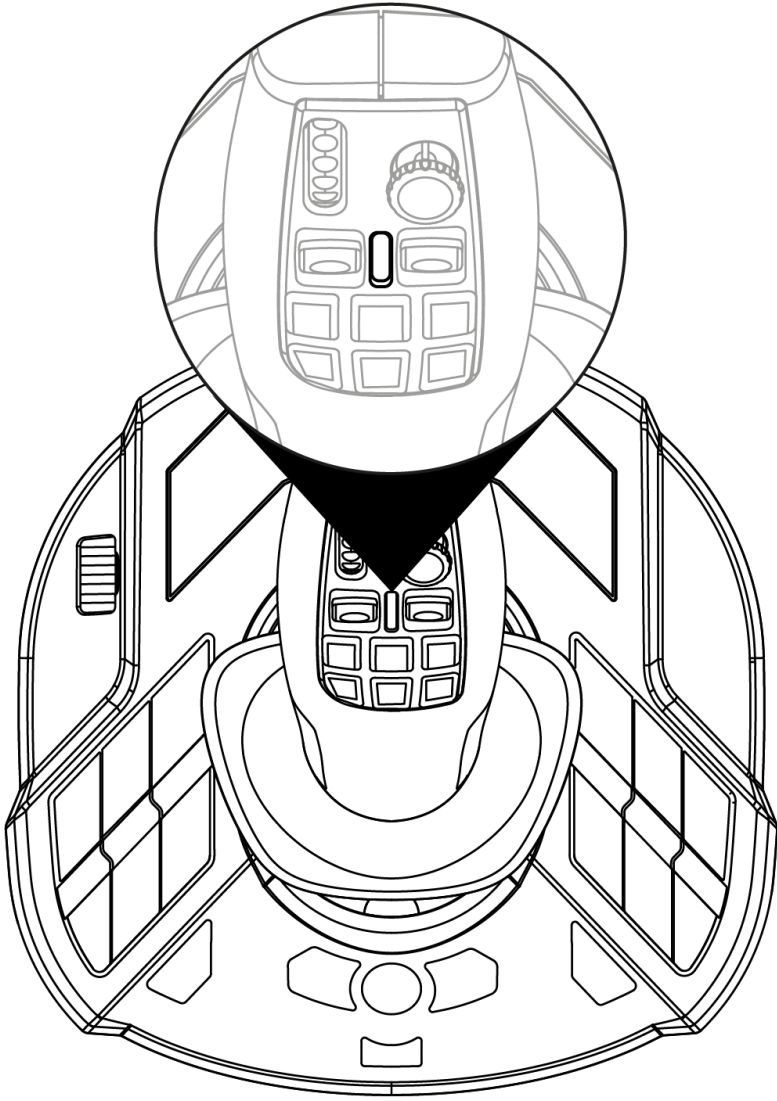
운전 모드에서는 스틱 모드 표시등 LED ⑥에 주황색 불이 켜집니다.



운전 모드에서 섬휠 ① 및 로커 스위치 ②와 관련된 동작은 다음과 같습니다.

- 섬휠: 조절기 설정치의 제어
- 로커 스위치: 기어박스 관리.





### 작업 모드

작업 모드에서는 스틱 모드 표시등 LED ⑥에 흰색 불이 켜집니다.



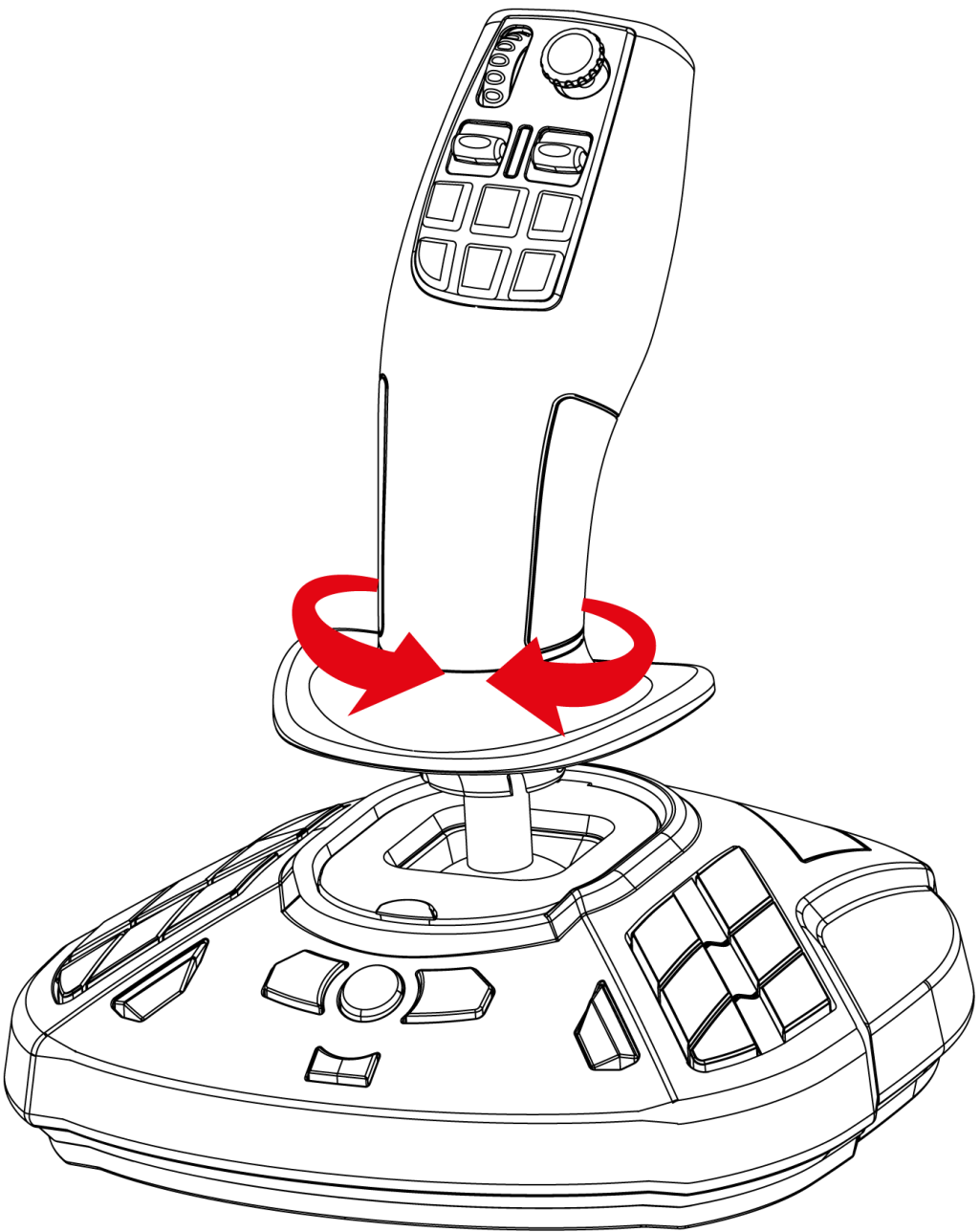
작업 모드에서 섬휠 ① 및 로커 스위치 ②와 관련된 동작은 다음과 같습니다.

- 섬휠: 카메라 줌 제어.
- 로커 스위치: 크레인의 팔 또는 로더의 제어.



## 회전 손잡이

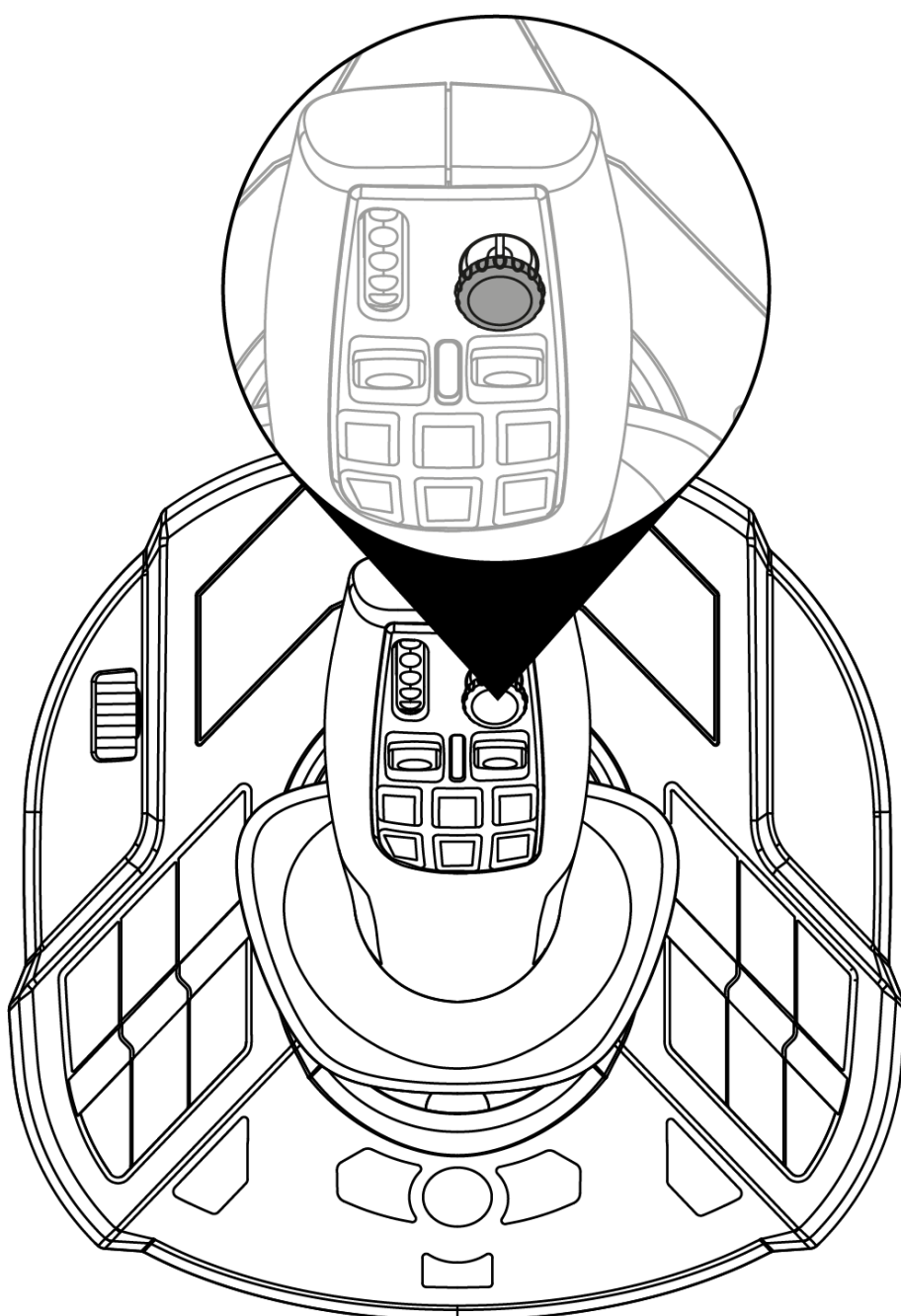
SimTask FarmStick 에는 가로축을 중심으로 회전하는 손잡이가 있습니다. 이는 예를 들어 크레인 헤드 또는 굴삭기를 조작할 때 유용합니다.





## "시점" 미니 스틱

SimTask FarmStick 은 장치 운영자의 시야에 무엇이 있는지 볼 수 있는 "시점" 미니 스틱 ⑤ 을 특징으로 합니다.





## **Xbox Series X|S\* 및 PC\*에서의 SimTask FarmStick 연결**

SimTask FarmStick 은 6 개의 축을 갖추고 있지만 TFRP\*\* 방향타를 조이스틱 뒷면에 연결하는 옵션을 제공합니다. 이는 두 개의 추가 축과 TFRP 를 통한 방향타 제어를 조작하게 합니다.

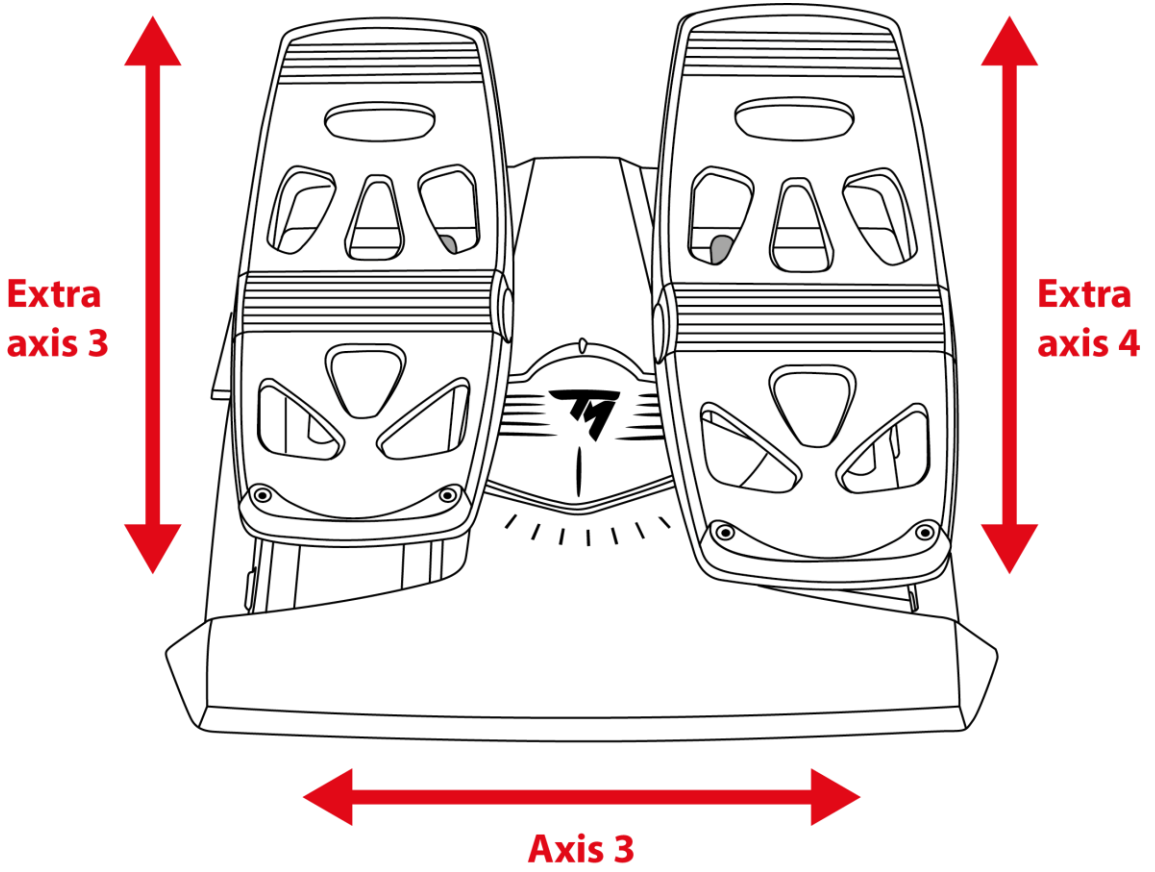


TFRP 방향타는 Xbox Series X|S 및 PC 에서 지원되는 유일한 장치입니다.

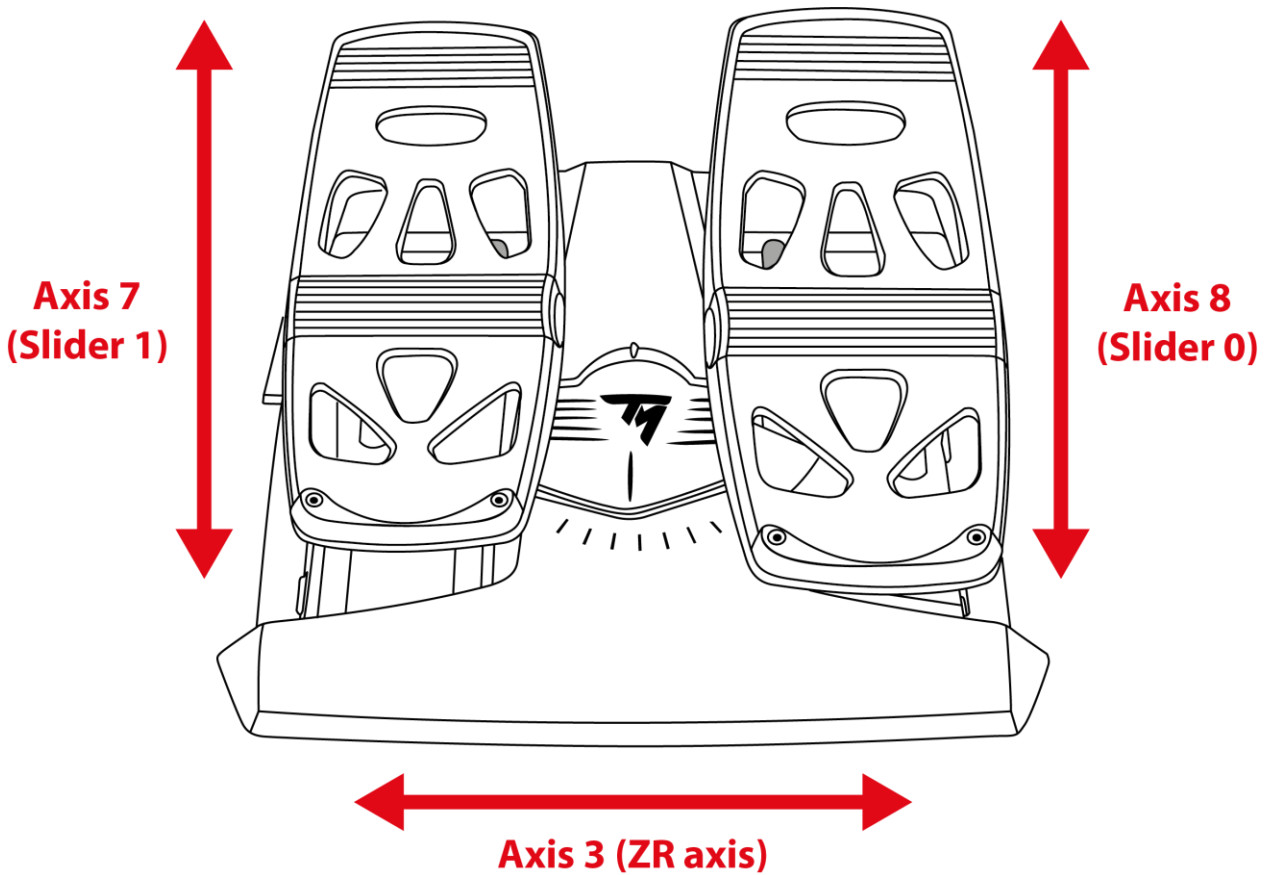
\*제공되지 않음 / \*\*별도 판매



Xbox 용 매핑:



PC 용 매핑:





## 오른손잡이 및 왼손잡이용 조이스틱 구성

SimTask FarmStick 은 양손잡이용이므로 오른손잡이든 왼손잡이든 모든 플레이어에게 원활하게 적응할 수 있습니다.

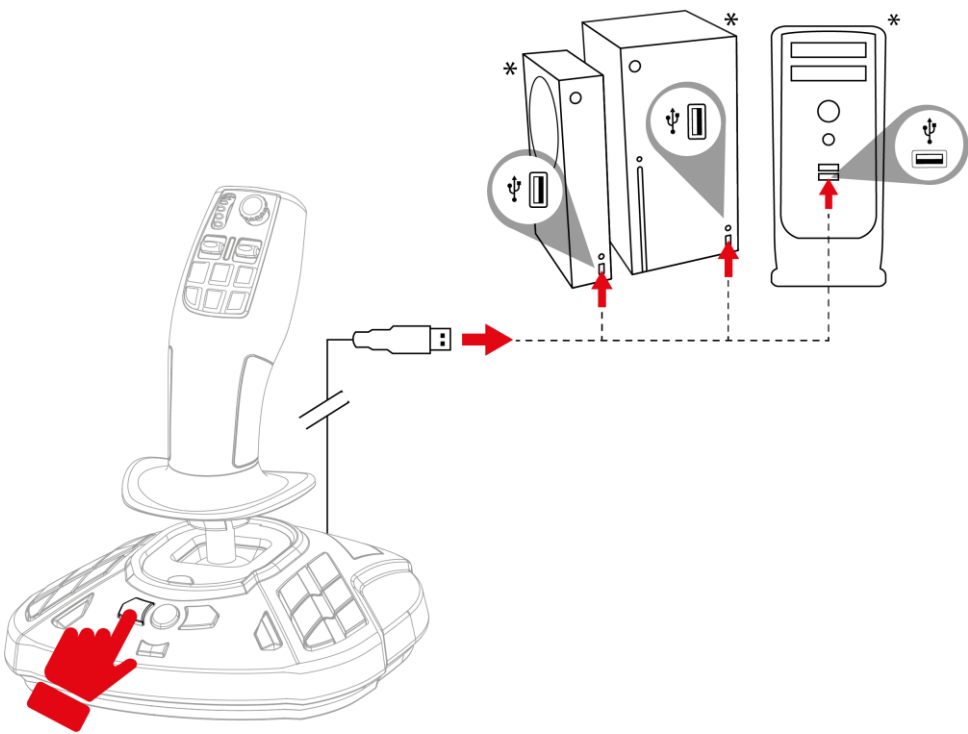
기본적으로 조이스틱은 오른손잡이 모드로 설정되어 있습니다.



조이스틱을 왼손잡이 모드로 설정하려면:

1. SimTask FarmStick 을 Xbox Series X|S 또는 PC 에 연결할 경우 버튼 14(PC) 또는 이전(Xbox Series X|S)을 길게 누르십시오.

LED 스틱 표시등 ⑥이 5 초 동안 흰색으로 깜박입니다.



2. 버튼 14(PC) 또는 이전(Xbox Series X|S) 버튼에서 손을 뗍니다.



왼손잡이 모드는 SimTask FarmStick 의 내부 메모리에 자동으로 저장됩니다.

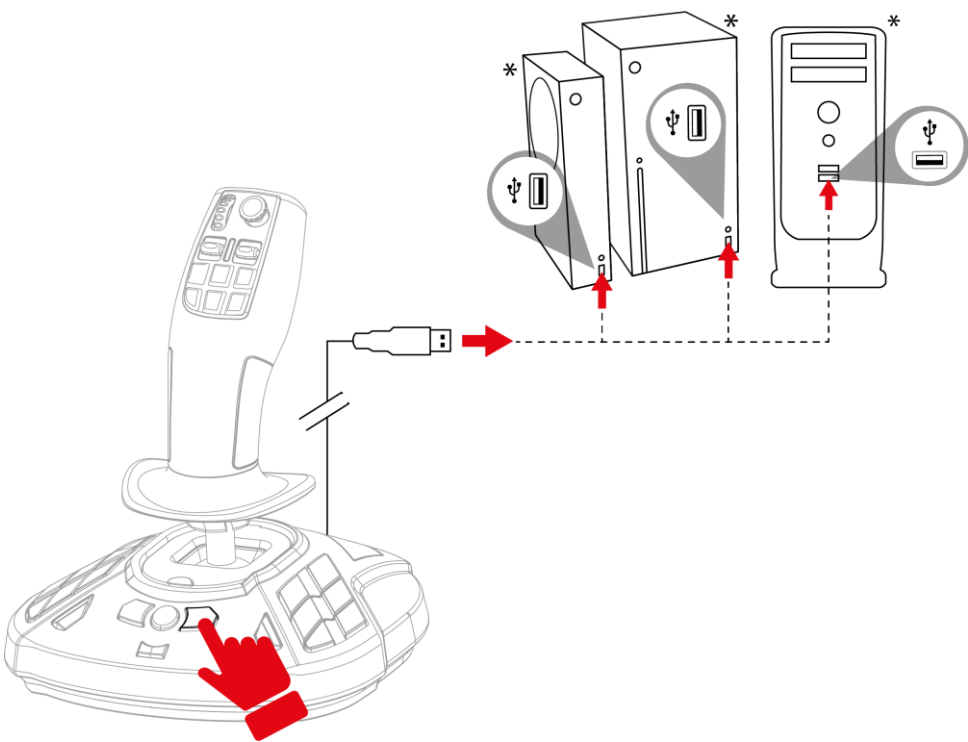
\*제공되지 않음



조이스틱을 오른손잡이 모드로 재설정하려면:

1. SimTask FarmStick 을 Xbox Series X|S 또는 PC 에 연결할 경우 버튼 16(PC) 또는 다음(Xbox Series X|S)을 길게 누르십시오.

LED 스틱 표시등 ⑥이 5 초 동안 주황색으로 깜박입니다.



2. 버튼 16(PC) 또는 다음(Xbox Series X|S)에서 손을 뗍니다.



오른손잡이 모드는 SimTask FarmStick 의 내부 메모리에 자동으로 저장됩니다.

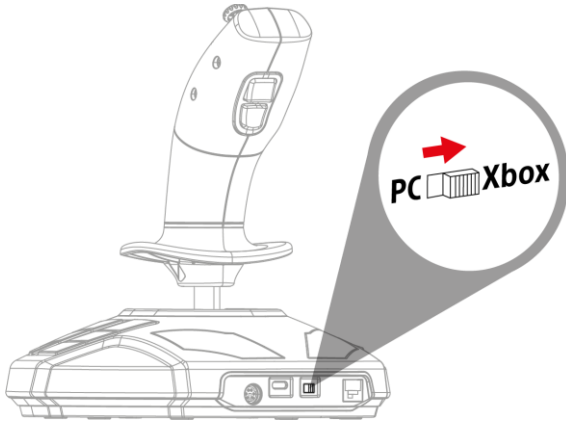
\*제공되지 않음



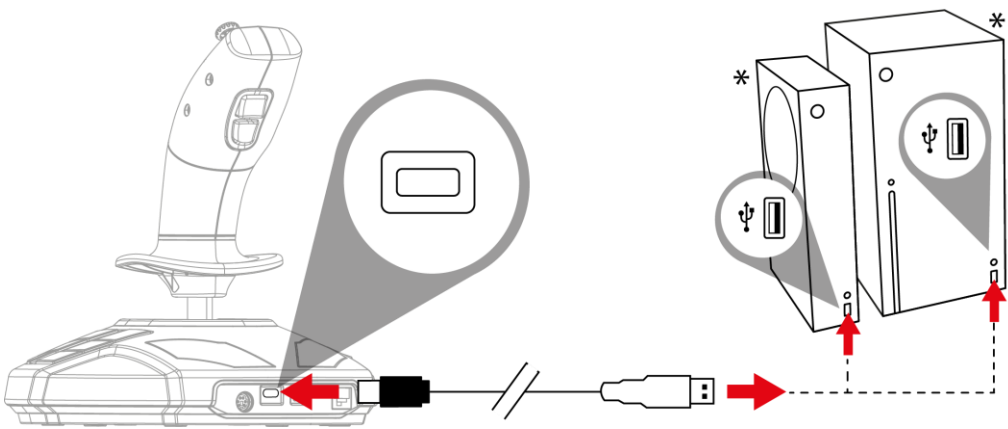


## 5. Xbox Series X|S 에 설치

1. 조이스틱 뒷면의 스위치 ⑱를 Xbox 위치로 설정합니다.



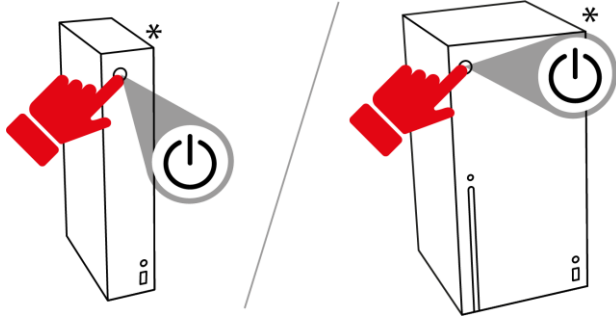
2. USB-C - USB-A 케이블을 조이스틱의 USB-C 포트 ⑲와 콘솔\*의 USB-A 포트 중 하나에 연결합니다.



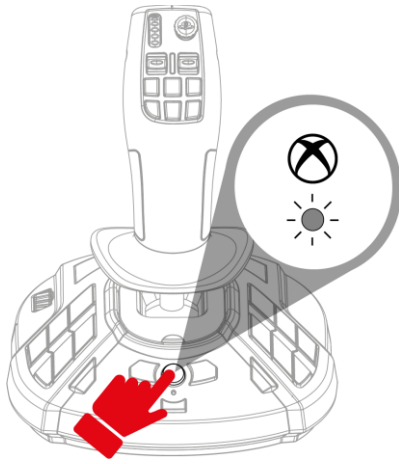
\*제공되지 않음



3. 콘솔의 전원을 켭니다.



4. Xbox 버튼을 누릅니다. 조이스틱의 표시등에 하얀색 불이 들어옵니다.



5. 호환 게임을 시작합니다.

이제 게임을 할 준비가 되었습니다!

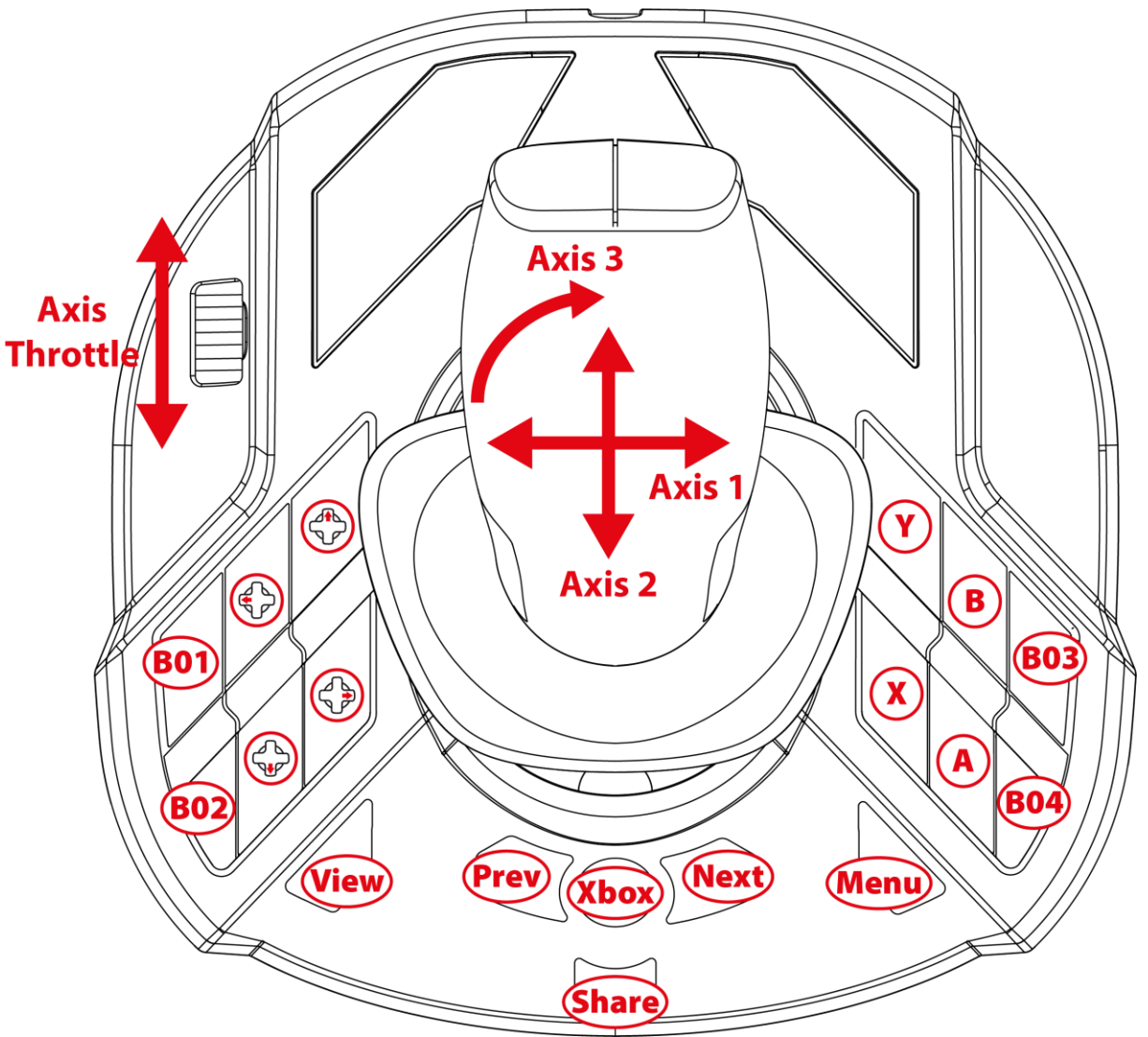


조이스틱을 연결하는 경우: 보정 문제를 방지하기 위해 손잡이를 항상 중앙 위치에 유지하고 이동하거나 회전하지 마십시오.

\*제공되지 않음

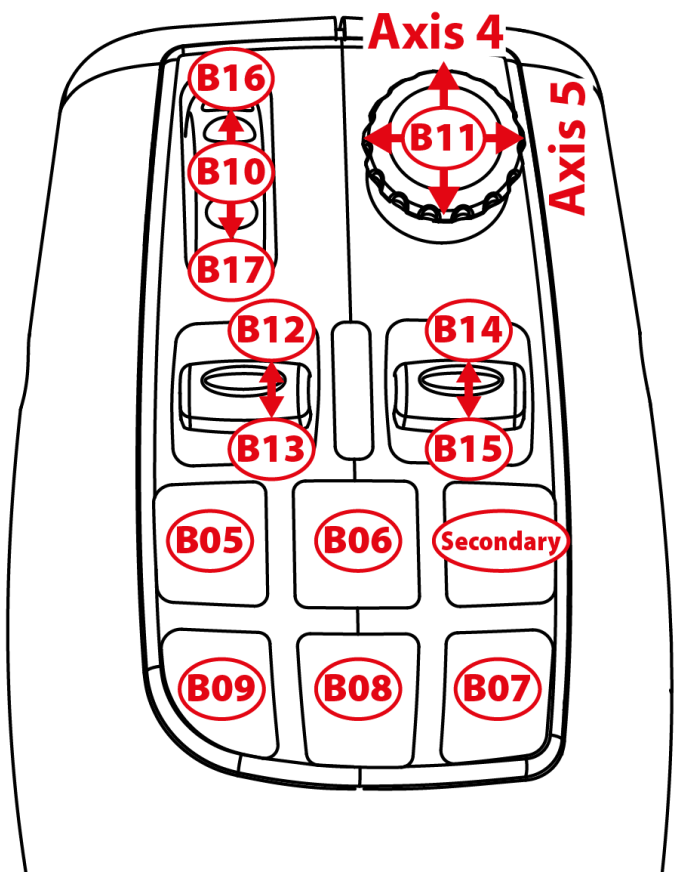


## 6. Xbox 매핑

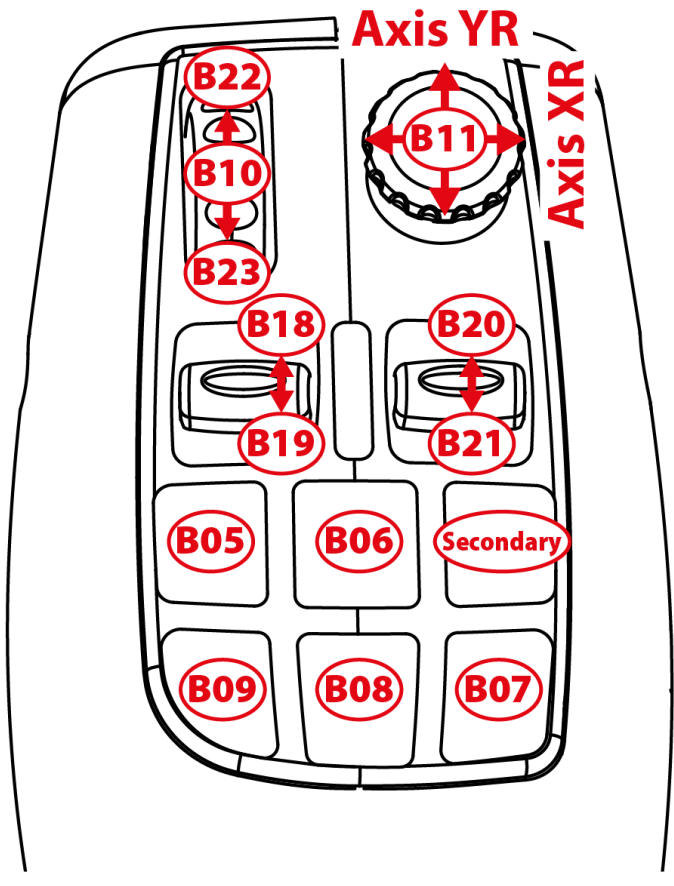


매핑은 오른손 모드와 왼손 모드에서 동일합니다.

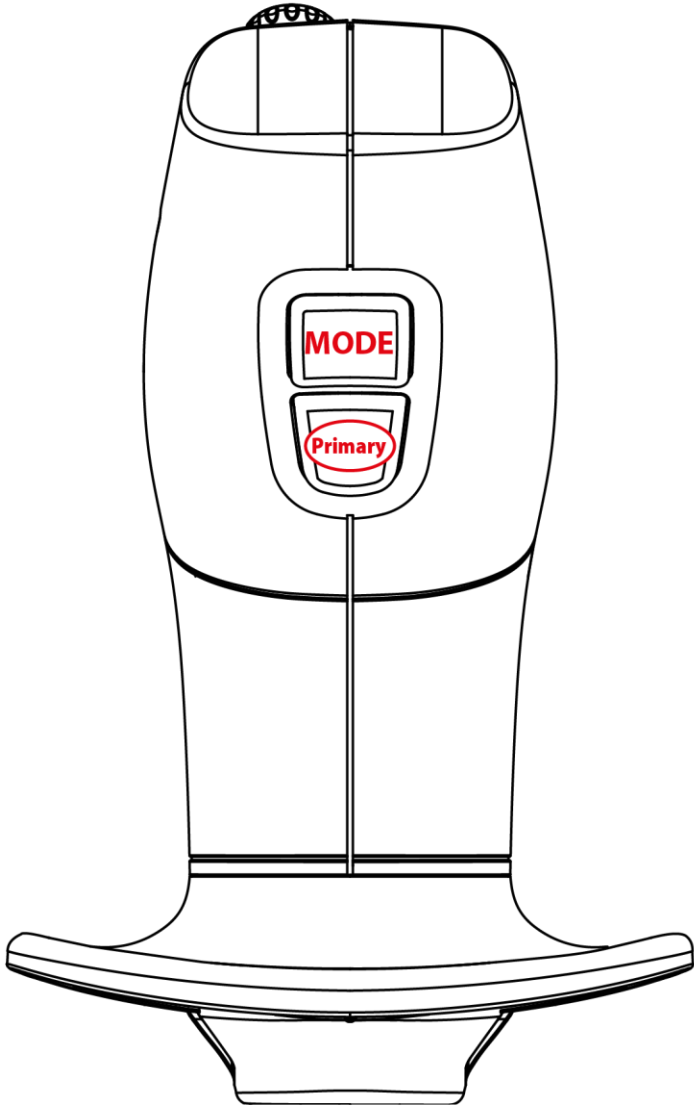
오른손잡이(기본)/왼손잡이 모드는 이 절차에 따라 선택할 수 있습니다. 이 모드는 두 개의 조이스틱을 동시에 사용할 경우 두 조이스틱을 구별하는 데 도움이 됩니다.



운전 모드



작업 모드





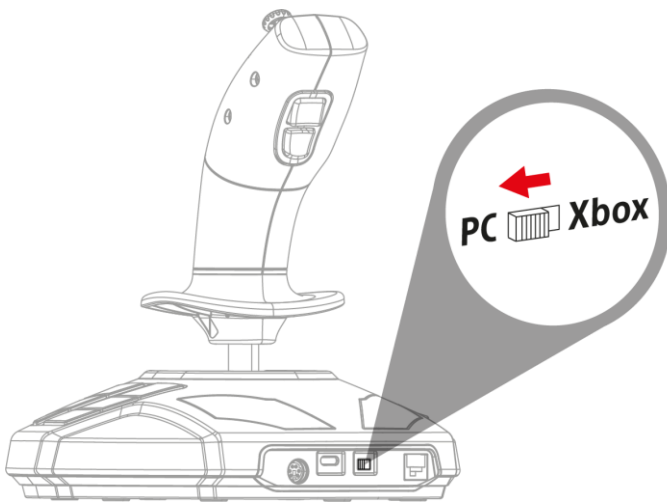
## 7. PC 에 설치

1. 다음 사이트를 방문하시기 바랍니다.

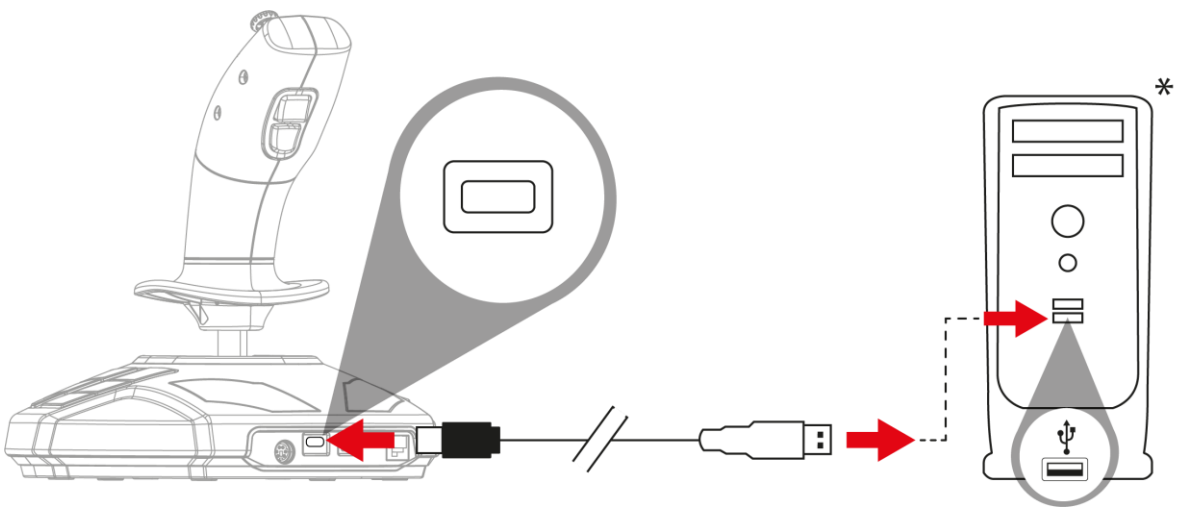
<https://support.thrustmaster.com/product/simtask-farmstick-x/>.

2. PC 드라이버와 Windows 제어판용 맞춤형 인터페이스를 다운로드 및 설치합니다.

3. PC 드라이버가 설치되면 조이스틱 뒷면의 스위치 ⑱를 PC 위치로 설정합니다.



4. USB-C - USB-A 케이블을 조이스틱의 USB-C 포트 ⑲와 PC의 USB-A 포트 중 하나에 연결합니다.



\*제공되지 않음



5. 시작 / 설정 / 제어판을 선택하고 게임 컨트롤러를 두 번 누릅니다. 게임 컨트롤러 대화 상자에 **OK** 상태와 함께 조이스틱 이름이 표시됩니다.
6. 제어판 창에서, 속성을 눌러 모든 기능을 테스트하고 확인합니다. 오른손 모드(디폴트) 또는 왼손 모드를 선택할 수도 있습니다.

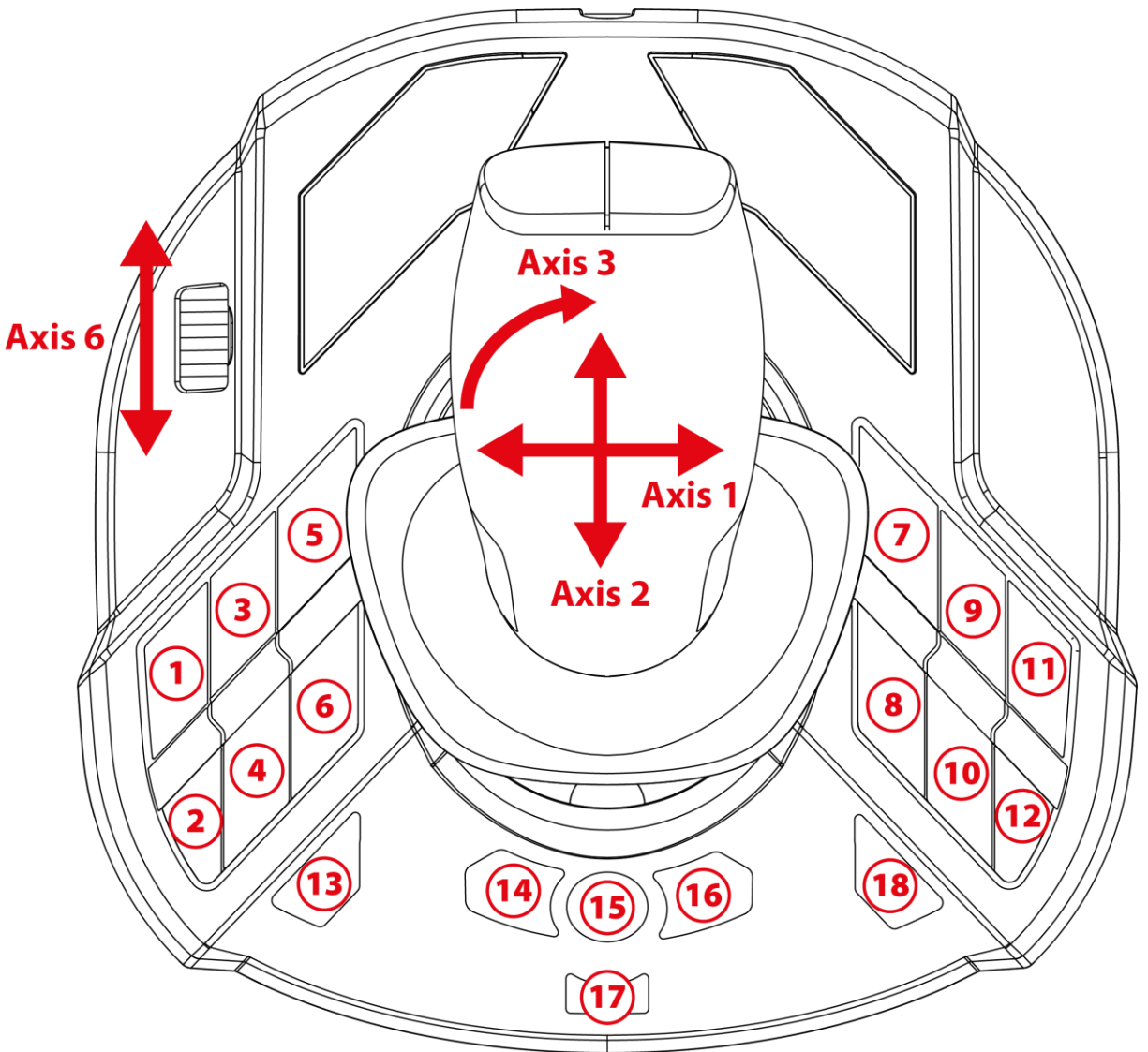
이제 게임을 할 준비가 되었습니다!



조이스틱을 연결하는 경우: 보정 문제를 방지하기 위해 손잡이를 항상 중앙 위치에 유지하고 이동하거나 회전하지 마십시오.



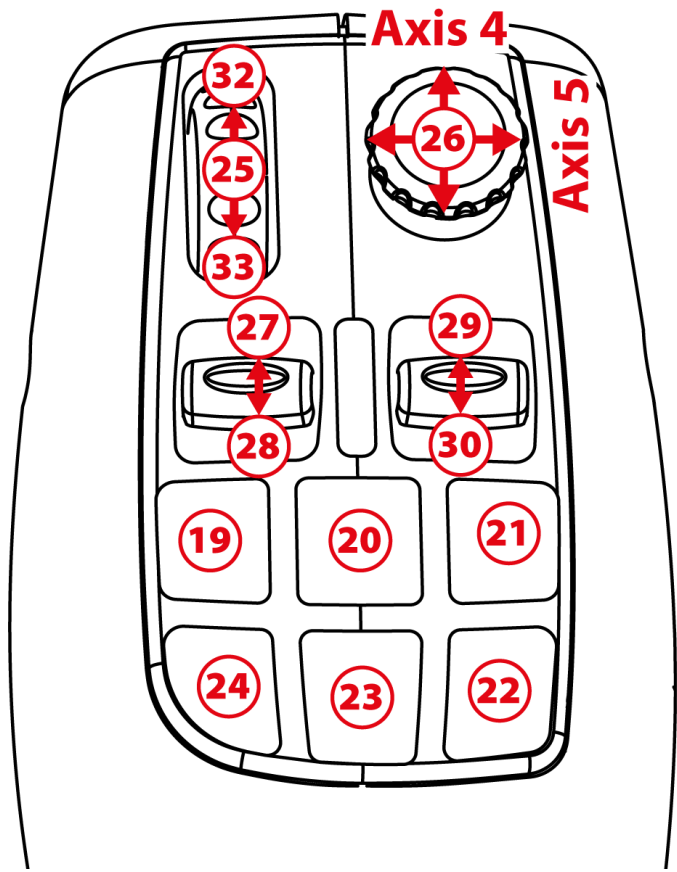
## 8. PC 매핑



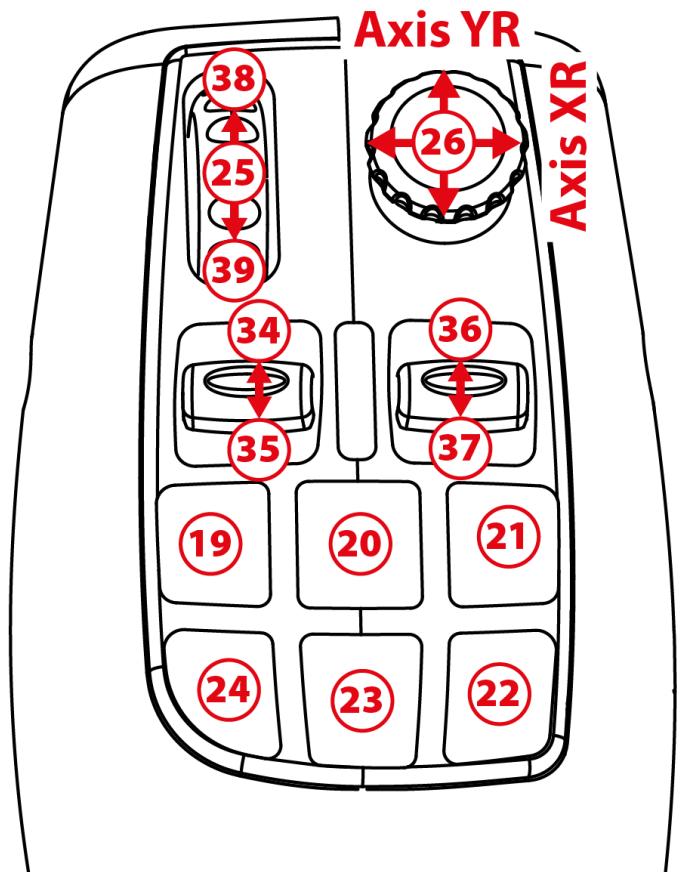
매핑은 오른손 모드와 왼손 모드에서 동일합니다.

오른손잡이(기본값) 또는 왼손잡이 모드는 이 절차를 따르거나 **제어판**에서 선택할 수 있습니다. 이 모드는 두 개의 조이스틱을 동시에 사용할 경우 두 조이스틱을 구별하는 데 도움이 됩니다.

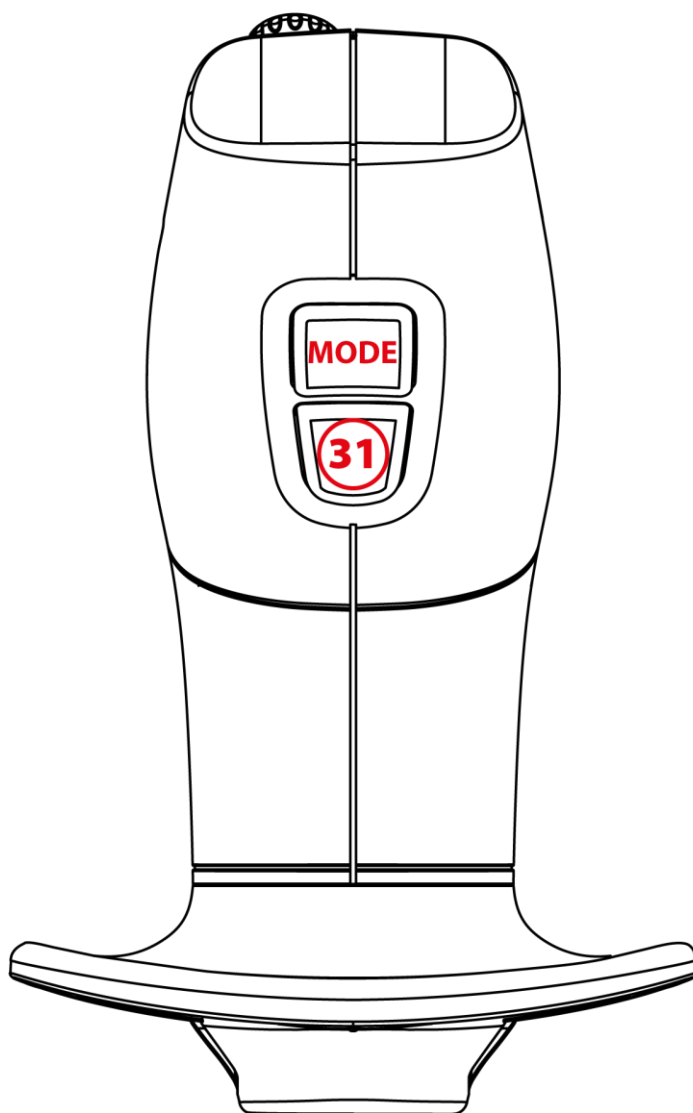




운전 모드



작업 모드

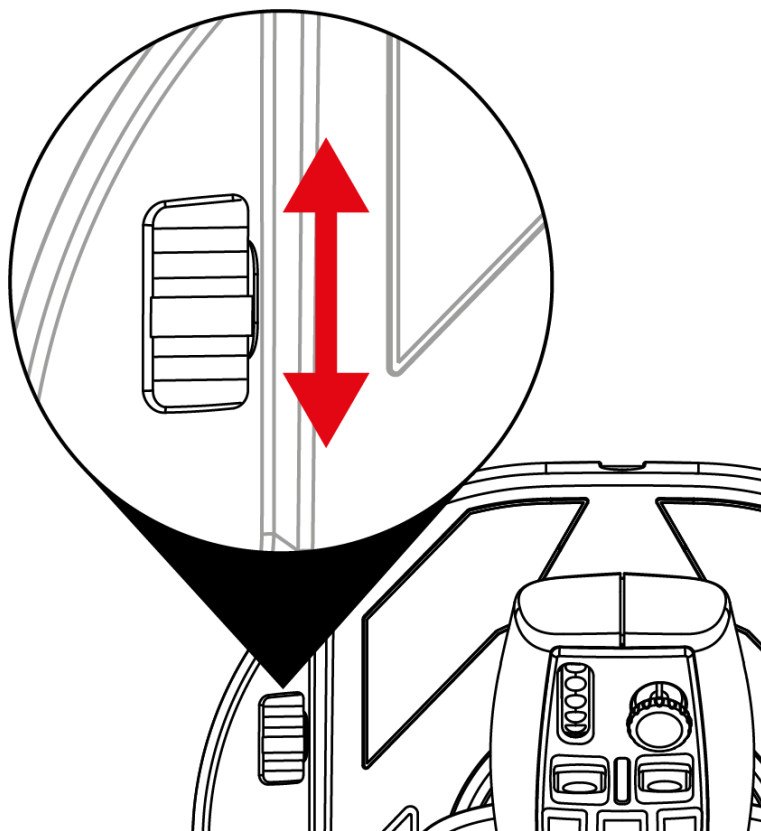




## 9. 스톱

조이스틱에는 엔진 속도를 쉽게 제어할 수 있는 스톱

⑧ 기능이 있습니다.

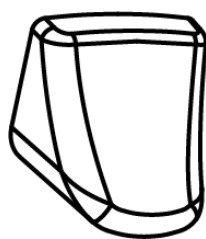




## 10. 교체 가능한 트리거

조이스틱에는 다양한 게임 인체 공학적 기능을 제공하는 교체 가능한 동작 트리거 16 기능이 있습니다.

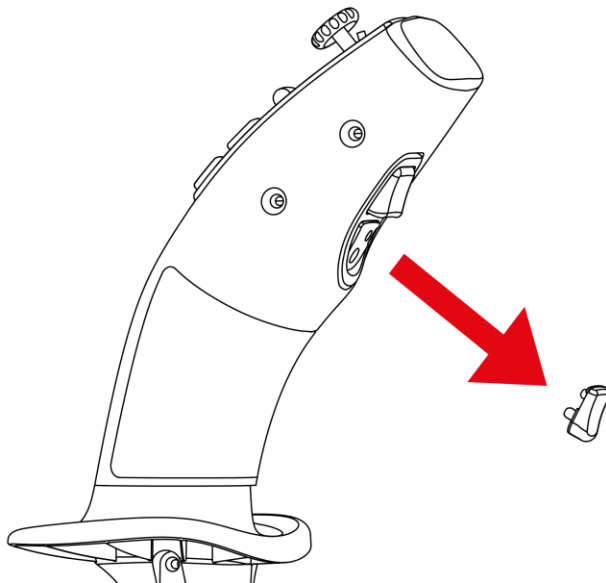
기본적으로 설치된 트리거를 비행 시뮬레이션에 적합한 트리거(SimTask FarmStick 에 포함됨)로 교체할 수 있습니다.



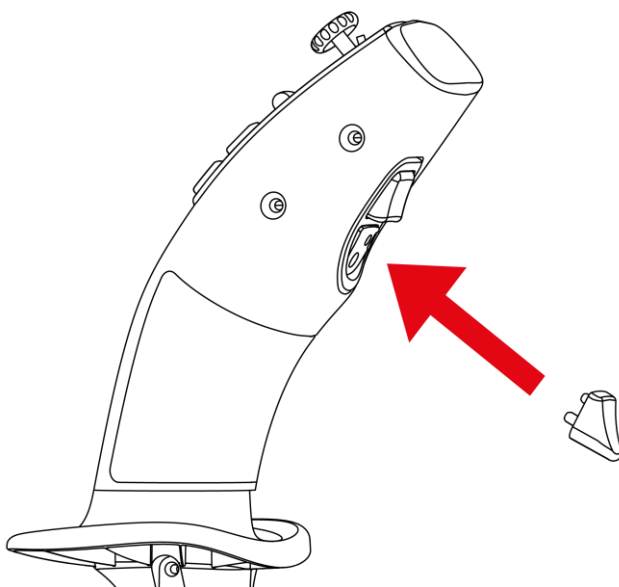


트리거를 변경하려면:

1. 방아쇠 양쪽에 손가락을 대고 조심스럽게 당깁니다.



2. 새 트리거를 올바른 장착 위치에 삽입합니다.



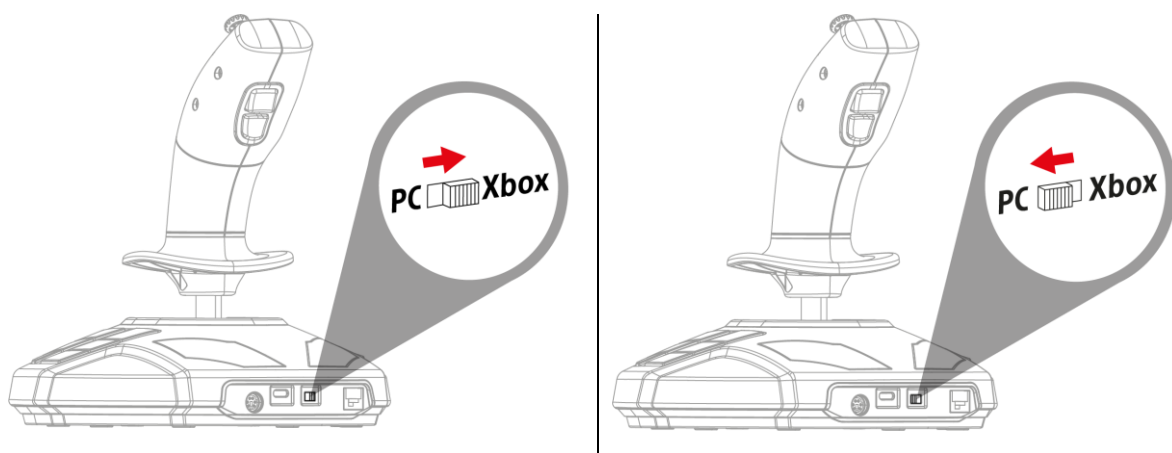
센터링 핀은 스틱의 해당 위치에 맞아야 합니다. 핀이 손상될 수 있으니 트리거를 세게 누르지 마십시오.



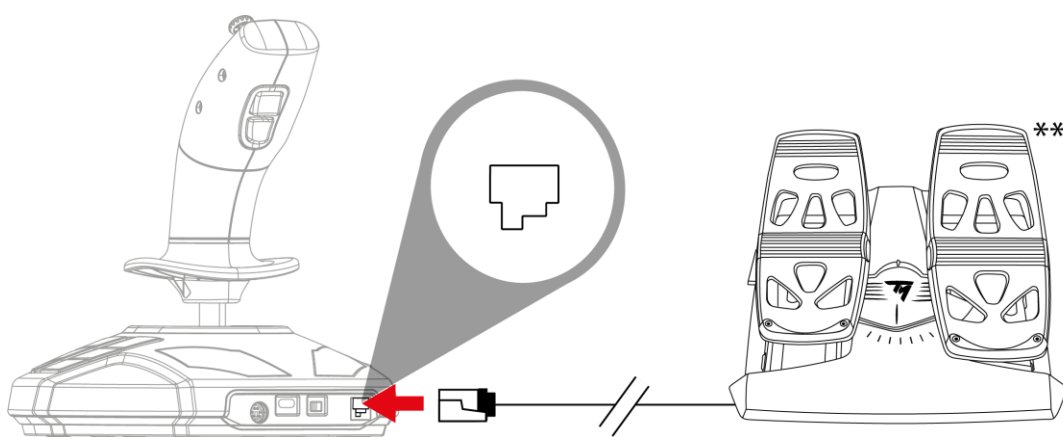
# 11. Xbox Series X|S\* 또는 PC\*에서 TFRP 방향타\*\*를 사용한 설치

TFRP\*\* 방향타는 SimTask FarmStick 에 연결됩니다.

1. 조이스틱 뒷면의 스위치 ①9를 Xbox 또는 PC 위치로 설정합니다.



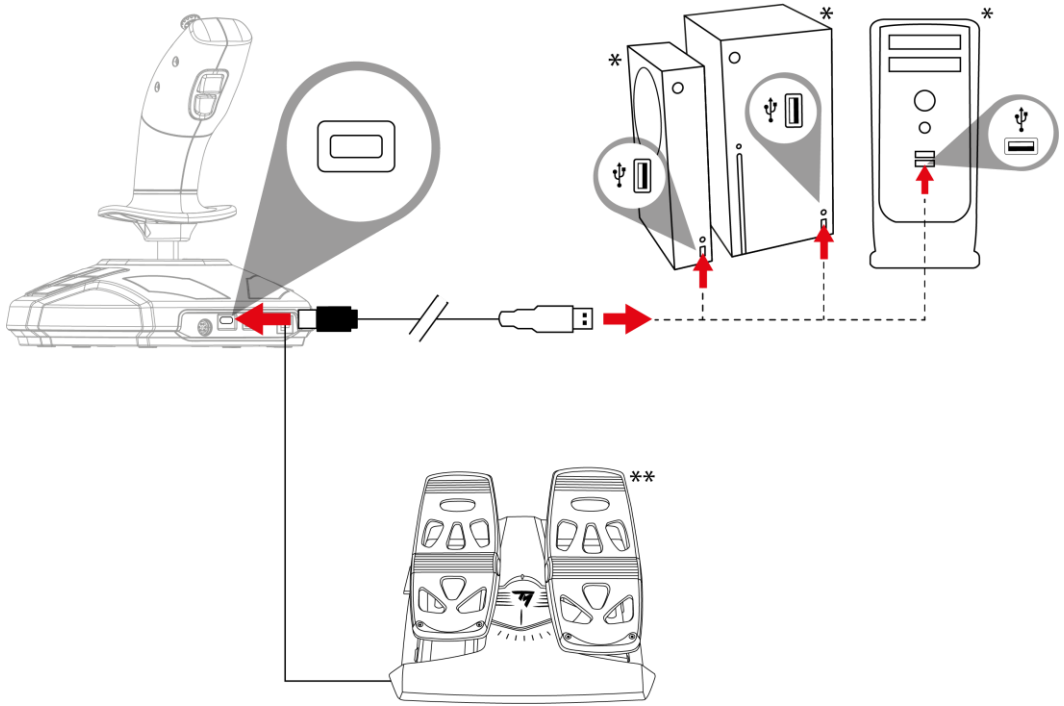
2. TFRP 방향타\*\* RJ12 케이블을 조이스틱 뒷면의 RJ12 포트 ②0에 연결합니다.



\*제공되지 않음 / \*\*별도 판매



### 3. USB-C – USB-A 케이블을 조이스틱의 USB-C 포트 18와 콘솔\* 또는 PC\*의 USB-A 포트에 연결합니다.



- 조이스틱을 연결하는 경우: 보정 문제를 방지하기 위해 손잡이를 항상 중앙 위치에 유지하고 이동하거나 회전하지 마십시오.
- 방향타를 조이스틱에 연결할 때 조정 문제를 방지하려면 항상 방향타 축을 중앙 위치에 유지하고 방향타 페달 위에 발을 올려 놓지 마십시오.

\*제공되지 않음 / \*\*별도 판매



## 12. 자주 묻는 질문 및 기술 지원

*조이스틱은 올바르게 작동하지 않거나 적절하지 않게 보정된 것 같습니다.*

- 콘솔 또는 컴퓨터의 전원을 끄고 조이스틱을 분리하십시오. 콘솔 또는 컴퓨터를 다시 켜 다음, 조이스틱을 다시 연결하고 게임을 재시작하십시오.
- 조이스틱을 연결하는 경우: 보정 문제를 방지하기 위해 손잡이를 항상 중앙 위치에 유지하고 이동하거나 회전하지 마십시오.
- 방향타를 조이스틱에 연결할 때 조정 문제를 방지하려면 항상 방향타 축을 중앙 위치에 유지하고 방향타 페달 위에 발을 올려 놓지 마십시오.





## 조이스틱을 설정할 수 없습니다.

- 게임 옵션/컨트롤러/게임패드 또는 조이스틱 메뉴에서 적절한 환경 설정을 선택하거나 컨트롤러 옵션을 완전히 재구성하십시오.
- 자세한 정보는 게임 사용자 매뉴얼 또는 온라인 도움말을 참조하십시오.



## 조이스틱이 너무 민감하거나 충분히 민감하지 않습니다.

- 일단 다른 축을 따라 약간의 움직임이 일어나면 조이스틱이 독립적으로 자가 보정합니다.
- 게임의 옵션 / 컨트롤러 / 게임패드 또는 조이스틱 메뉴에서 조이스틱의 감도와 데드존을 조정합니다(이러한 옵션을 사용할 수 있는 경우).

SimTask FarmStick 과 관련하여 질문이 있거나 기술적인 문제가 있으신가요? 그런 경우에는 Thrustmaster 기술 지원 사이트를 방문하시기 바랍니다.

<https://support.thrustmaster.com/product/simtask-farmstick-x/>.

