

TAKE IT TO THE SKIES



FS FLIGHT SIMULATOR

BOEING™ MILITARY EDITION

INSTRUCTION MANUAL





*ELECTRONICS NOT INCLUDED



YOUR FLIGHT SIM JOURNEY STARTS HERE

We know you're eager to start flying! Take your time with the instructions and follow this guide to assemble your product. You'll be setting yourself up for success with following the instruction booklet to fully optimize your product.



**ASSEMBLY
VIDEO**

bit.ly/nlrbuild



**FOLLOW
US**



@next_level_racing

@nextlevelracingOfficial

@nextlvlracing

Next Level Racing

support@nextlevelracing.com



TAKE RACING
TO THE NEXT LEVEL®

NEXTLEVELRACING.COM





support@nextlevelracing.com

PRE-FLIGHT CHECKS

WARNING

- Please do not use power tools for assembly as over tightening can damage your frame.
- Lay out and build the cockpit on a level surface.
- Do not force parts together.
- Avoid cross threading bolts.
- If in doubt consult the installation video.



If you require any support with your product please contact our friendly team at: support@nextlevelracing.com



WARNING

CHOKING HAZARD - Small parts not for children under 3 years or any individuals who have a tendency to place inedible objects in their mouths.



ASSEMBLY VIDEO

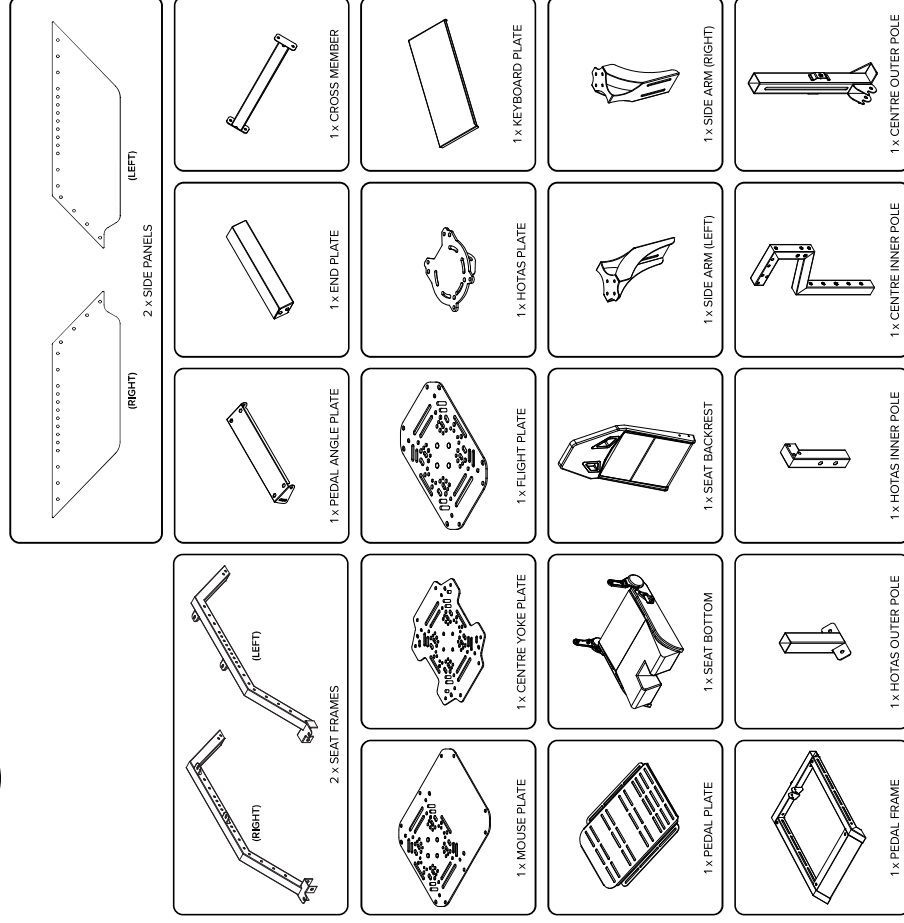
bit.ly/nlrbuild



Video Instruction: bit.ly/nlrbuild

IN THE BOX

NOT TO SCALE



NOTE: Some Items Come with Rust Resistant Coating






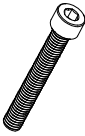


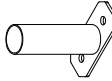

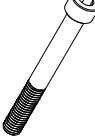

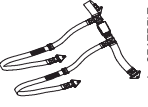


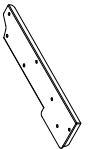



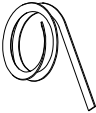
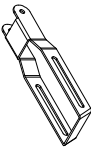




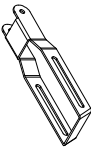
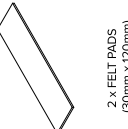



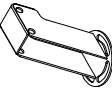
support@nextlevelracing.com

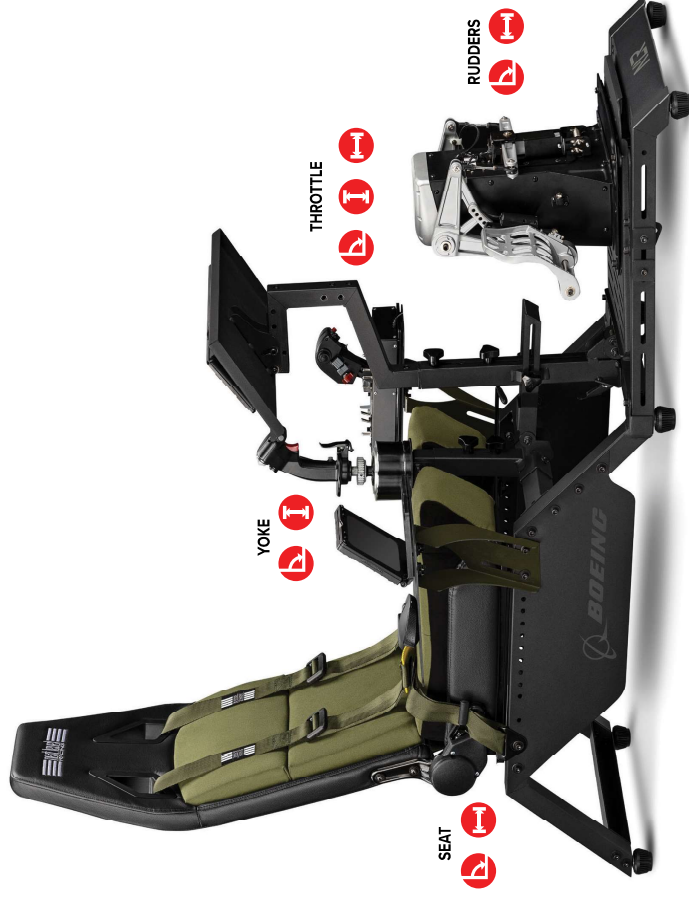
Video Instruction: bit.ly/nlrbuild



ADJUSTMENT POINTS

The Flight Simulator is a fully adjustable cockpit making it perfect for flight enthusiasts of all sizes. Utilize the various adjustment points to achieve the most comfortable position.

 14 x M4 WASHERS 8 x M5 WASHERS 26 x M6 WASHERS 55 x M8 WASHERS	 10 x M6 20mm THREADED STUDS	 8 x M5 60mm BOLTS	 40 x M8 55mm BOLTS	 14 x M4 16mm BOLTS 26 x M6 16mm BOLTS 14 x M8 16mm BOLTS
 1 x 13mm WRENCH (M8)	 1 x BUTTKICKER POLE	 6 x SQUARE WASHERS	 1 x M8 70mm BOLT	 4 x 20mm KNOBS
 1 x SEATBELT	 6 x ADJUSTABLE FEET	 1 x M4/M6 WRENCH 1 x M5/M6 WRENCH	 1 x TURTLE BEACH ADAPTOR	 4 x ALLEN KEYS
 2 x TPR ADAPTORS	 1 x LUMBAR CUSHION	 6 x VELCRO CABLE TIES	 1 x SUPPORT BRACKET	 1 x STRAIGHT SIDE ARM
 1 x CLAMP PLATE	 1 x 40mm BARREL SPACER	 1 x SUPPORT BRACKET MOUNT	 1 x SUPPORT BRACKET	 2 x FELT PADS (30mm x 120mm)
	 1 x MOUSE MAT	 1 x KEYBOARD MAT	 10 x M8 16mm WASHERS	 1 x KEYBOARD ARM





A) Align the mounting holes on the Pedal Angle Plate with the slots on the Pedal Frame.

B) Bolt through and secure with 4 x M8 Bolts, Square Washers and Flange Nuts.

PARTS:

- 1 x Pedal Frame
- 1 x Pedal Angle Plate
- 4 x M8 55mm Bolts
- 4 x Square Washers
- 4 x M8 Flange Nuts

01

A) Align the mounting slots on the Pedal Plate with the threaded inserts on the Pedal Angle Plate.

B) Bolt through and secure with 4 x M8 Bolts and Washers.

PARTS:

- 1 x Pedal Plate
- 4 x M8 16mm Bolts
- 4 x M8 Washers

02

A) Align the mounting holes on the Seat Frames with the mounting inserts on the Pedal Frame.

B) Bolt through and secure the Seat Frames with 2 x M8 Bolts and Washers.

C) Bolt through the centre of the frame and secure with 2 x M8 55mm Bolts, Washers and Flange Nuts.

PARTS:

- 2 x Seat Frames
- 2 x M8 55mm Bolts
- 2 x M8 16mm Bolts
- 4 x M8 Washers
- 2 x M8 Flange Nuts

03

A) Align the threaded inserts on the End Plate with the mounting holes on the Left and Right Seat Frames. Bolt through and secure with 4 x M8 Bolts and Washers.

B) Bolt through and secure with 4 x M8 Bolts and Washers.

PARTS:

- 1 x End Plate
- 4 x M8 55mm Bolts
- 4 x M8 Washers

04

A) Align the mounting holes on the Side Panels with the through holes on the Seat Frames. Bolt through and secure with 4 x M8 Bolts, Washers and Flange Nuts.

B) Bolt through and secure with 4 x M8 Bolts, Washers and Flange Nuts.

PARTS:

- 2 x Side Panels
- 4 x M8 55mm Bolts
- 4 x M8 Washers
- 4 x M8 Flange Nuts

05

A) Align the mounting holes on the Cross Member with the through holes on the Left and Right Seat Frames and Side Panels.

B) Bolt through and secure with 4 x M8 Bolts, Washers and Flange Nuts.

PARTS:

- 1 x Cross Member
- 4 x M8 55mm Bolts
- 4 x M8 Washers
- 4 x M8 Flange Nuts

06



07

PARTS:

- 1 x Seat Backrest
- 1 x Seat Bottom

A) Apply pressure to the seat base with bodyweight. Pull up the recliner handle with one hand and adjust so that the recliner is perpendicular with the Seat Bottom. Repeat on other side. (It is recommended to use a cloth/cardboard in palm to prevent injury to hands).

B) Repeat on Other Side

C) Which are pre-installed on the Seat Backrest and align the threaded inserts on the Seat Backrest with the mounting holes on the Seat Bottom.

C) Bolt through and secure with 4 x M8 Dome Head Bolts which were previously uninstalled. Remove the warning labels on the recliners.

08

PARTS:

- 2 x M8 16mm Square Neck Bolts
- 2 x M8 Flange Nuts

A) Pull the Seat Slider handle up and adjust the Seat to the forward-most position.

B) Align the mounting holes on the Seat Sliders with the seat mounting locations (Refer to image) on the Left and Right Seat Frames.

C) At the rear, bolt through and secure with 2 x M8 Square Neck Bolts and Flange Nuts.

(4x Seat Mounting Locations)
(Two Each Side of Seat Frames)

09

PARTS:

- 2 x M8 16mm Square Neck Bolts
- 2 x M8 Flange Nuts

A) Pull the Seat Slider handle and adjust the Seat to the rear-most position.

B) At the front, bolt through and secure with 2 x M8 Square Neck Bolts and Flange Nuts.

10

PARTS:

- 2 x Side Arms
- 4 x M8 55mm Bolts
- 4 x M8 Washers
- 4 x M8 Flange Nuts

A) Align the mounting slots on the Left and Right Side Arms with the through holes on the Left and Right Seat Frames and Side Panels.

B) Bolt through and secure with 4 x M8 Bolts, Washers and Flange Nuts.

11

PARTS:

- NIL

SIDE ARM ADJUSTMENT

Loosen the Bolts to adjust the Side Arms to the desired height and angle. Tighten the Bolts to lock in place. Utilize the extra through holes on the Seat Frames for back and forward adjustment.

12

PARTS:

- 1 x Mouse Plate
- 1 x Flight Plate
- 8 x M8 Flange Nuts

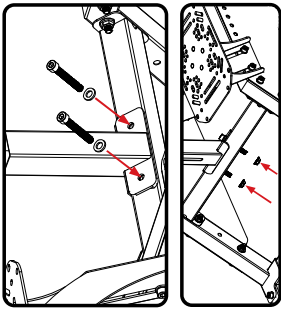
Align the Threaded Studs on the Mouse Plate and Flight Plate with the mounting holes on the Left and Right Side Arms. Secure with 8 x M8 Flange Nuts.

NOTE: The plates are interchangeable and can be mounted to accommodate for left or right-handed users.



support@nextlevelracing.com

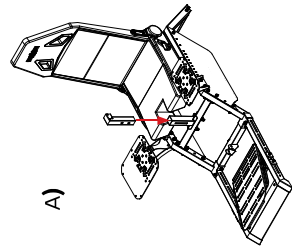
OPTIONAL HOTAS INSTALL



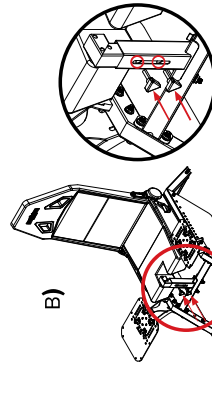
- PARTS:**
- 1 x HOTAS Outer Pole
 - 2 x M8 55mm Bolts
 - 2 x M8 Washers
 - 2 x M8 Flange Nuts

13 Align the mounting holes on the HOTAS Outer Pole with the through holes on the Cross Member. Bolt through and secure with 2 x M8 Bolts, Washers and Flange Nuts.

A)

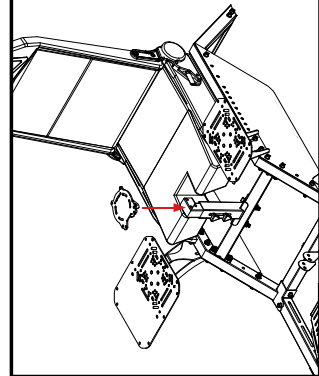


B)



- PARTS:**
- 1 x HOTAS Inner Pole
 - 2 x 20mm Knobs

14 Align the threaded inserts on the HOTAS Inner Pole with the slot on the HOTAS Outer pole. Bolt through and secure with 2 x Knobs.

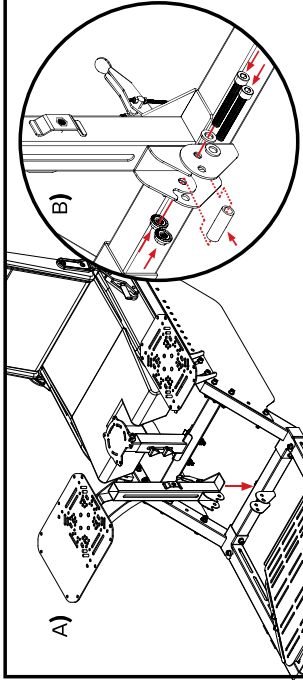


- PARTS:**
- 1 x HOTAS Plate
 - 3 x M8 55mm Bolts
 - 3 x M8 16mm Washers
 - 3 x M8 Flange Nuts

15 Align the mounting holes on the HOTAS Plate with the through holes on the HOTAS Inner Pole. Bolt through and secure with 3 x M8 Bolts, Washers and Flange Nuts.

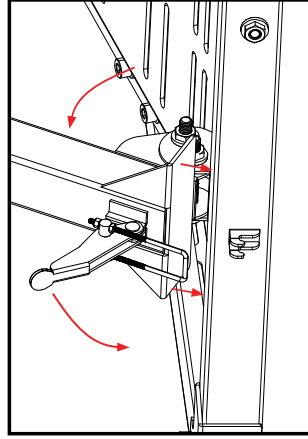


Video Instruction: bit.ly/nlrbuild

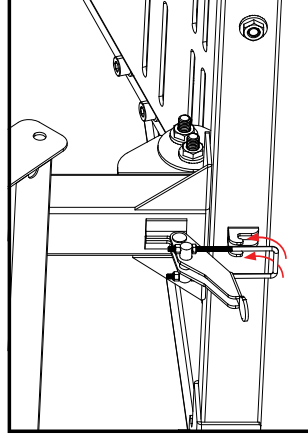


- PARTS:**
- 1 x Centre Outer Pole
 - 2 x M8 55mm Bolts
 - 2 x M8 Washers
 - 2 x M8 Flange Nuts
 - 1 x Barrel Spacer

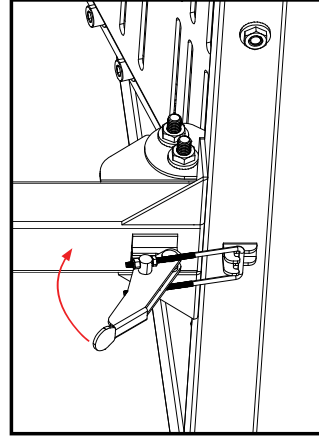
16 A) Align the mounting holes on the Centre Outer Pole with the holes on the Pedal Frame. B) Align the Barrel Spacer with the holes on the Centre Outer Pole. Bolt through and secure with 2 x M8 Bolts, Washers and Flange Nuts.



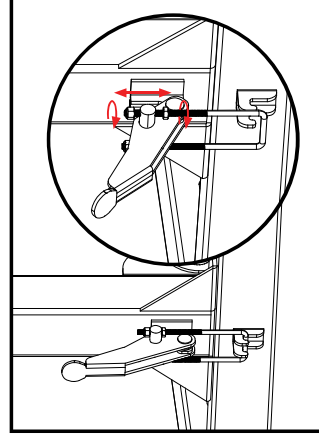
17a Gently place the Center Pole on top of the Pedal Frame and make sure the latch is down.



17b Hook the U-Bolt into the locking tab on the Pedal Frame.



17c Make sure the U bolt is sitting properly in the locking tab and pull the latch until its tight.



17d For a tighter lock, uncho the latch, adjust the nuts at the top of the latch and close it back again.



NOTE: If high end yokes are being used, please install the optional Support Bracker (Step 25 - 26).

18 Install 1 x Felt Pad onto the top of the Centre Inner Pole. Align the threaded inserts on the Centre Inner Pole with the slots on the Centre Outer Pole. Bolt through and secure with 2 x Knobs.

PARTS:

- 1x Centre Inner Pole
- 2 x 20mm Knobs
- 1x Felt Pad

19a Align the mounting holes on the Centre Yoke Plate with the through holes on the Centre Yoke Pole. Bolt through and secure with 3 x M8 55mm Bolts, Washers and Flange Nuts.

PARTS:

- 1x Centre Yoke Plate
- 3 x M8 55mm Bolts
- 3 x M8 16mm Washers
- 3 x M8 Flange Nuts

OPTIONAL TURTLE BEACH ADAPTOR INSTALL
(Continue from Step 19a)

19b A) Insert the 2 x M6 Studs into the rear-most holes on the Centre Yoke Pole.
B) Align the mounting holes on the Turtle Beach Adaptor Plate with the threaded studs, secure with 2 x M6 Flange Nuts.

PARTS:

- 1x Turtle Beach Adaptor Plate
- 2 x M6 20mm Press Fit Studs
- 2 x M6 Flange Nuts

BOEING YOKE/CLAMP PLATE INSTALL

19c A) Place the Clamp Plate on top of the Centre Inner Pole.
B) Slide the Clamp Plate forward and align the mounting holes on the Centre Inner Pole and Clamp Plate.
C) Bolt through and secure with 2 x M8 Bolts, Washers and Flange Nuts.

PARTS:

- 1x Clamp Plate
- 2 x M8 55mm Bolts
- 2 x M8 Washers
- 2 x M8 Flange Nuts

CENTRE KEYBOARD PLATE INSTALL

19d Align the mounting holes and slots on the Keyboard Plate with the through holes on the Centre Inner Pole. Bolt through and secure with 2 x M8 Bolts, Washers and Flange Nuts.

PARTS:

- 1x Keyboard Plate
- 2 x M8 55mm Bolts
- 2 x M8 Washers
- 2 x M8 Flange Nuts



20

Thread the Seatbelt through the eyelets in the Seat Backrest. Align the mounting holes on each Seatbelt mounting plate with the through holes on the Seat Frames and the threaded inserts on the underside of the Seat Bottom. Bolt through and secure with 4 x M8 Bolts, Washers and 2 x M8 Flange Nuts.

PARTS:

- 1x Seatbelt
- 2 x M8 20mm Bolts
- 2 x M8 55mm Bolts
- 4 x M8 Washers
- 2 x M8 Flange Nuts

21

Align the Adjustable Feet with the threaded inserts on the bottom of the Pedal Frame and Seat Frames. Lock into place by twisting the Adjustable feet into the threaded inserts. To raise an Adjustable Foot, twist anti-clockwise.

PARTS:

- 6 x Adjustable Feet

22

Your Flight Simulator cockpit is complete.

PARTS:

- NIL

23

OPTIONAL SUPPORT BRACKET INSTALL

Align the pivot point on the Support Bracket with the mounting holes on the Support Bracket Mount. Bolt through and secure with 1 x M8 Bolt, Washer, Barrel Spacer and Flange Nut.

PARTS:

- 1 x Support Bracket
- 1 x Support Bracket Mount
- 1 x M8 70mm Bolt
- 1 x Barrel Spacer
- 1 x M8 Washer
- 1 x M8 Flange Nut

24

A) Uninstall the Knobs securing the Centre Inner Pole to the Centre Outer Pole and remove the Centre Outer Pole.
B) Uninstall the 2 x M8 Flange Nuts securing the HOTAS Outer Pole to the Cross Member.

PARTS:

- NIL

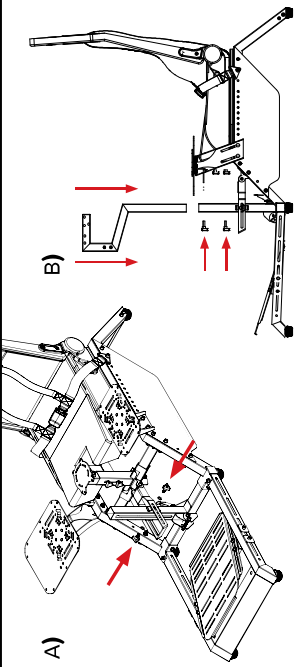
25

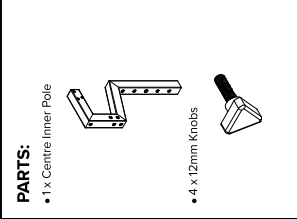
Align the mounting holes on the Support Bracket with the through holes on the Cross Member. Secure with 2 x M8 Flange Nuts previously uninstalled in **Step 24**.

PARTS:

- 2 x M8 Flange Nuts



A) 

B) 

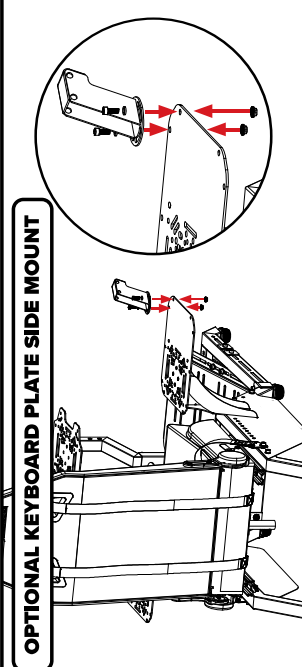
PARTS:

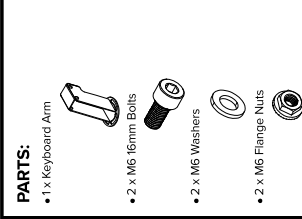
- 1 x Centre Inner Pole
- 4 x 12mm Knobs

26

A) Align the threaded inserts on the Centre Outer Pole with the slots on the Support Bracket. Bolt through with 2 x Knobs.
B) Fit the Centre Inner Pole into the Centre Outer Pole. Align the threaded inserts on the Centre Inner Pole with the slot in the Centre Outer Pole. Bolt through and secure with 2 x Knobs previously uninstalled in **Step 24**.

OPTIONAL KEYBOARD PLATE SIDE MOUNT

A) 

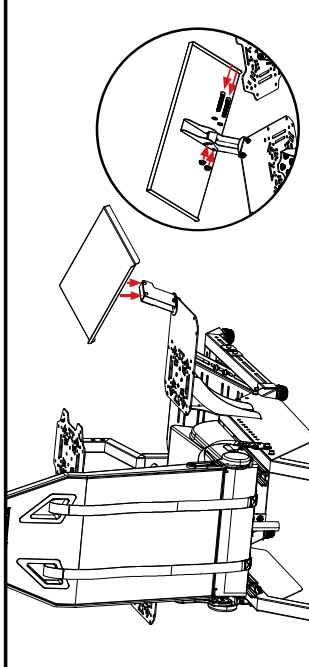
B) 

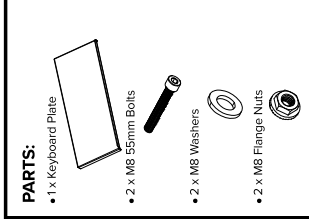
PARTS:

- 1 x Keyboard Arm
- 2 x M6 16mm Bolts
- 2 x M6 Washers
- 2 x M6 Flange Nuts

27

Align the mounting slots on the Keyboard Arm with the holes on the Mouse Plate. Bolt through and secure with 2 x M6 Bolts, Washers and Flange Nuts.

A) 

B) 

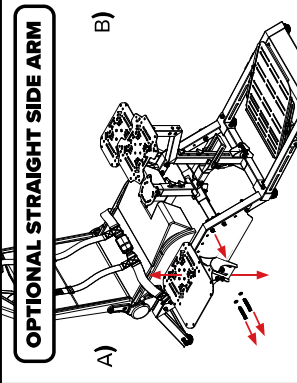
PARTS:

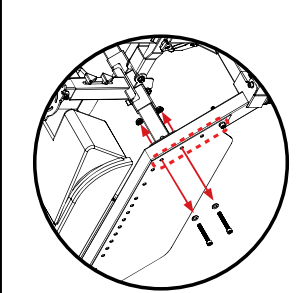
- 1 x Keyboard Plate
- 2 x M8 55mm Bolts
- 2 x M8 Washers
- 2 x M8 Flange Nuts

28

Align the mounting holes on the Keyboard Plate with the through holes on the Keyboard Arm. Bolt through and secure with 2 x M8 Bolts, Washers and Flange Nuts.

OPTIONAL STRAIGHT SIDE ARM

A) 

B) 

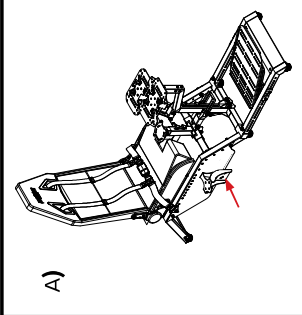
PARTS:

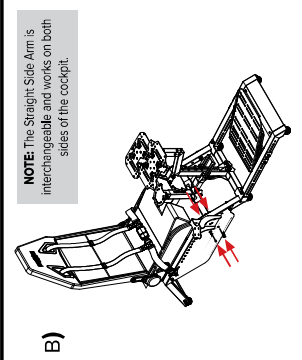
- NIL

29

A) Uninstall 2 x M8 Bolts, Washers and Flange Nuts securing the Side Arm. Detach the Flight Plate from the Side Arm.
B) Uninstall 2 x M8 Bolts, Washers and Flange Nuts securing one side of the Cross Member to the Seat Frame.

NOTE: The Straight Side Arm is interchangeable and works on both sides of the cockpit.

A) 

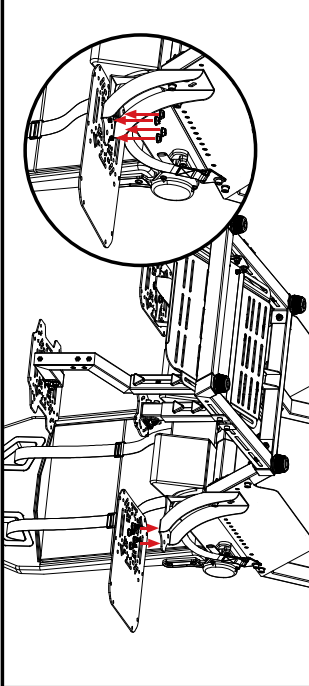
B) 

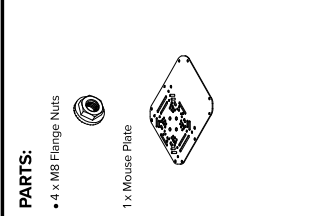
PARTS:

- 1 x Straight Side Arm
- 2 x M8 55mm Bolts
- 2 x M8 Washers
- 2 x M8 Flange Nuts

30

Align the Straight Side Arm with the through holes in the Seat Frame and Cross Member.
B) Bolt through and secure with 2 x M8 Bolts, Washers and Flange Nuts uninstalled in **Step 29**.

A) 

B) 

PARTS:

- 4 x M8 Flange Nuts
- 1 x Mouse Plate

31

Align the Mouse Plate Threaded Studs with the mounting holes on the Straight Side Arm.
Secure with 4 x M8 Flange Nuts.



PEDAL PLATE ANGLE ADJUSTMENT

PARTS:

- NIL

32

Uninstall the front Bolts, Square Washers and Flange Nuts securing the Pedal Angle Plate to the Pedal Frame and loosen the rear Bolts. Adjust to the desired angle. Bolt through and secure with the Bolts, Square Washers and Flange Nuts previously uninstalled.

CENTRE POLE HEIGHT ADJUSTMENT

PARTS:

- NIL

35

Loosen the Knobs securing the Inner Centre Pole to the Outer Centre Pole. Adjust the Inner Centre Pole to the desired height and tighten the Knobs to secure in place. Utilize the multiple threaded inserts for a perfect fit.

HOTAS POLE HEIGHT ADJUSTMENT

PARTS:

- NIL

33

Loosen the Knobs securing the HOTAS Inner Pole to the HOTAS Outer Pole. Adjust to desired height and tighten Knobs to lock in place.

CENTRE PLATE ANGLE ADJUSTMENT

PARTS:

- NIL

36

Uninstall the front Bolts, Washers and Flange Nuts securing the Centre Plate to the Inner Centre Pole. Angle to the desired position. Bolt through and secure with 1 x Bolt, Washer and Flange Nut previously uninstalled.

HOTAS POLE ANGLE ADJUSTMENT

PARTS:

- NIL

34

Uninstall the front Bolts, Washers and Flange Nuts securing the HOTAS Plate to the HOTAS Inner Pole. Angle to the desired position. Bolt through and secure with 1 x Bolt, Washer and Flange Nut previously uninstalled.

TPR RUDDER INSTALLATION

PARTS:

- 1 x TPR Adaptor
- 4 x M6 20mm Threaded Studs

37

Install 4 x M6 Threaded Studs into the TPR Adaptor.



38

PARTS:

- 2x M6 Flange Nuts
- TPR Rudder (not included)

(A) (B)

Align the mounting holes on the front of the TPR Rudder with the Threaded Studs on the TPR Adaptor. Secure with 2 x M6 Flange Nuts. The TPR Rudders are ready to install into the cockpit.

39

BUTTKICKER POLE INSTALL

PARTS:

- 1x Butt kicker Pole
- 2 x M8 16mm Bolts
- 2 x M8 Washers

Align the mounting holes on the Butt kicker Pole with the threaded inserts under the Seat Bottom. Bolt through and secure with 2 x M8 Bolts and Washers.

40

MOUSE MAT INSTALL

A Mouse mat may be installed on top of the Flight or Mouse Plate. A mouse may now be used.

PARTS:

- 1x Mouse Mat

41

KEYBOARD MAT INSTALL

Place the Keyboard Mat on top of the Keyboard Plate. A keyboard may now be used.

PARTS:

- 1x Keyboard Mat



19c-Consulte la imagen. INSTALACION DE LA PLACA DE BARRAZADERA YUGO BERING. A) Coloque la placa de sujetador encima del poste interior central. B) Deslice la placa de abrazadera hacia adelante y alinee los orificios de montaje en el poste interior central y la placa de abrazadera. C) Acomode y asegure con 2 pernos M8, arandelas y tuercas con brida. Pezas: 1 placa de abrazadera, 2 pernos M8 de 55 mm, 2 arandelas M8, 2 tuercas de brida M8.
 19d-Consulte la imagen. INSTALACION DE LA PLACA CENTRAL DEL TECLADO. Alinee los orificios de montaje y las tuercas de la placa del teclado con los orificios pasantes del poste interior central. Acomode y asegure con 2 pernos M8, arandelas y tuercas con brida. Pezas: 1 placa de teclado, 2 pernos M8 de 55 mm, 2 arandelas M8, 2 tuercas de brida M8.
 20-Consulte la imagen. Pase el cinturón de seguridad a través de los orificios en el respaldo del asiento. Alinee los orificios de montaje en cada placa de montaje de seguridad con los orificios pasantes en los marcos del asiento y los insertos roscados entre ellos y la parte inferior del asiento. Acomode y asegure con 1 perno M8, arandelas y 2 tuercas con rebote M8. Pezas: 1 cinturón de seguridad, 2 pernos M8 de 16 mm, 2 pernos M8 de 55 mm, 4 arandelas M8, 2 tuercas de brida M8.
 21-Consulte la imagen. Alinee los orificios de montaje con las inserciones roscadas en la parte inferior de la estructura del pedal y las estructuras de asiento. Bloquee en su lugar girando los pasos ajustables en las inserciones roscadas. Para tener una parte ajustable, gire en sentido contrario a las agujas del reloj. Pezas: 6 pernos ajustables.
 22-Consulte la imagen. Si desea que el pedal sea compatible con el modelo de la imagen, revise el modelo de la imagen. MONTAJE DEL PEDAL. Alinee el punto de pivote del soporte de soporte con los orificios de montaje del soporte de montaje. Acomode y asegure con 1 perno M8, arandelas, espaldador cilíndrico y tuercas con rebote. Pezas: 1 soporte de soporte, 1 perno M8 de 55 mm, 1 espaldador cilíndrico, 1 arandelas M8, 1 tuercas de brida M8.
 23-Consulte la imagen. A) Deslice las perillas que sujetan el poste interior central al poste exterior central y retire el poste exterior central. B) Deslice las 2 tuercas con brida M8 que sujetan el poste exterior HOTAS al travesaño. Pezas: NIL.
 24-Consulte la imagen. A) Deslice las perillas que sujetan el poste interior central al poste exterior central y asegure con 2 pernos M8, arandelas y 2 tuercas con rebote. Pezas: 1 placa de rebote M8.
 25-Consulte la imagen. Alinee los orificios de montaje del soporte de soporte con los orificios pasantes del travesaño. Asegure con 2 tuercas con rebote M8 previamente desinstaladas en el paso 24. Pezas: 2 tuercas con rebote M8.
 26-Consulte la imagen. A) Alinee las inserciones roscadas en el poste exterior central con las tuercas en el soporte de soporte. Acomode y asegure con 2 perillas. B) Coloque el poste interior central en el poste exterior central. Alinee las inserciones roscadas del poste interior central con la parte del poste exterior central. Acomode y asegure con 2 perillas. Pezas: 2 pernos M8, arandelas y 2 tuercas con rebote M8.
 27-Consulte la imagen. MONTAJE DE LA PLACA DE TECLADO OPCIONAL. Alinee las tuercas de montaje del brazo del teclado con los orificios de la placa del botón. Acomode y asegure con 2 pernos M8, arandelas y tuercas con rebote. Pezas: 1 brazo para teclado, 2 pernos M8 de 16 mm, 2 arandelas M8, 2 tuercas de brida M8.
 28-Consulte la imagen. Alinee los orificios de montaje de la placa del teclado con los orificios pasantes del brazo del teclado. Acomode y asegure con 2 pernos M8, arandelas y tuercas con rebote. Pezas: 1 placa de teclado, 2 pernos M8 de 55 mm, 2 arandelas M8, 2 tuercas de brida M8.
 29-Consulte la imagen. BRAZO LATERAL RECTO OPCIONAL. A) Deslice las 2 pernos M8 las arandelas y las tuercas con rebote que sujetan el brazo lateral. Separe la placa de vello del brazo lateral. B) Deslice las 2 pernos M8, las arandelas y las tuercas con rebote que sujetan un lado del travesaño a la estructura del asiento. Pezas: NIL.
 30-Consulte la imagen. Alinee el brazo lateral recto con los orificios pasantes en la estructura del asiento y el travesaño. B) Acomode y asegure con 2 pernos M8, arandelas y tuercas con brida desinstaladas en el paso 29. Pezas: 1 brazo lateral recto, 2 pernos M8 de 55 mm, 2 arandelas M8, 2 tuercas con brida M8.
 31-Consulte la imagen. Alinee los pernos roscados de la placa del mouse con los orificios de montaje en el brazo lateral recto. Asegure con 4 tuercas de brida M8. Pezas: 4 tuercas de brida M8.
 32-Consulte la imagen. AJUSTE DEL ANGULO DE LA PLACA DEL PEDAL. Deslice los pernos cuadrados y las tuercas con brida que desinstala anteriormente. Parez: NIL.
 33-Consulte la imagen. AJUSTE DEL ANGULO DE LA PLACA DEL PEDAL. Deslice los pernos cuadrados y las tuercas con brida que desinstala anteriormente. Parez: NIL.
 34-Consulte la imagen. REGULACION DE LA ALTURA DEL POSTE HOTAS. Alinee las perillas que sujetan el poste interior del HOTAS al poste exterior del HOTAS. Ajuste la altura deslizando y apriete las perillas para probar en su lugar. Pezas: NINGUNO.
 35-Consulte la imagen. AJUSTE DE ANGULO DEL POSTE HOTAS. Deslice los pernos delanteros, las arandelas y las tuercas con rebote que sujetan la abaca HOTAS al poste interior HOTAS. Ajuste a la posición deseada. Acomode y asegure con 1 perno, arandelas y tuercas con brida previamente desinstaladas. Parez: NIL.
 36-Consulte la imagen. AJUSTE DE LA ALTURA DEL POSTE CENTRAL. Alinee las perillas que aseguran el poste central interno al poste central externo. Ajuste el poste central interno a la altura deseada y apriete las perillas para asegurarlo en su lugar. Utilice las múltiples inserciones roscadas para un ajuste perfecto. Parez: NIL.
 37-Consulte la imagen. AJUSTE DEL ANGULO DEL POSTE CENTRAL. Alinee las perillas que aseguran el poste central interno al poste central externo. Ajuste el poste central interno a la altura deseada y apriete las perillas para asegurarlo en su lugar. Utilice las múltiples inserciones roscadas para un ajuste perfecto. Parez: NIL.
 38-Consulte la imagen. INSTALACION DE TIRON TPR. Instale 4 espárragos roscados M8 en el adaptador TPR. Asegure con 2 tuercas de brida M8. Los tirones TPR están listos para instalar en la cabina. Pezas: 2 tuercas de brida M8, 1 tirón TPR (no incluido).
 39-Consulte la imagen. INSTALACION DE POSTE BUTTKICKER. Alinee los orificios de montaje en el ButtKicker Plate con los insertos roscados debajo de la parte inferior del asiento. Acomode y asegure con 2 pernos y arandelas M8. Pezas: 1 barra ButtKicker, 2 pernos M8 de 16 mm, 2 arandelas M8.
 40-Consulte la imagen. INSTALACION DE LA ALFOMBRILLA DE RAYON. Coloque la alfombrilla de rayón encima de la placa de vello. Ahora se puede utilizar un rayón. La alfombrilla para rayón también se puede colocar encima de la placa para rayón. Pezas: 1 alfombrilla para rayón.
 41-Consulte la imagen. INSTALACION DE LA ALFOMBRILLA DEL TECLADO. Coloque la alfombrilla para teclado encima del lugar para teclado. Ahora se puede utilizar un teclado. Pezas: 1 alfombrilla para teclado.

ADVERTENCIA
 • No utilice herramientas eléctricas para el montaje, ya que un ajuste excesivo puede dañar el marco.
 • No deslice y construya la cabina sobre una superficie nivelada.
 • No utilice las piezas para anillos.
 • Evite los pernos de rosca cruzada.
 • En caso de duda, consulte el video de instalación.

ASISTENCIA
 Si necesita más asistencia con su producto, póngase en contacto con nuestro amable equipo en support@nextlevelracing.com

DE

Flujograma de Instalación

Wir wissen, dass Sie begierig darauf sind, mit dem Remen zu beginnen. Nehmen Sie sich Zeit für die Anweisungen und befolgen Sie diese Anleitung, um Ihr Produkt zusammenzubauen. Sie werden sich auf den Erdflur einstellen, wenn Sie der Anleitung folgen, um Ihr Produkt vollständig zu optimieren. Für Montagevideo QR-Code scannen. bit.ly/nlrbuild. Folge uns: QR-Code scannen

VORBEREITUNGSKONTROLLEN

- Bitte verwenden Sie keine Elektrowerkzeuge für die Montage, da ein zu starkes Anziehen Ihren Rahmen beschädigen kann.
- Das Copoly auf einer ebenen Fläche auslegen und aufbauen.
- Teile nicht mit Gewalt zusammenfügen.
- Vermeiden Sie Querschnittsbohrungen.
- Sehen Sie sich im Zweifelsfall das Installationsvideo an.

Wenn Sie Unterstützung für Ihr Produkt benötigen, wenden Sie sich bitte an unser freundliches Team unter: support@nextlevelracing.com

WARNUNG ERSTKUNSTUNGSGEFÄHR

Keine nicht für Kinder unter 3 Jahren oder Personen, die dazu neigen, ungenießbare Gegenstände in den Mund zu nehmen.

ANFANG

- 01 - Siehe Bild. A) Richten Sie die Befestigungsschraube an der Pedalwinkelplatte mit den Schrauben am Pedalrahmen aus. B) Durchschrauben und mit 4 x M8-Schrauben, Unterlegscheiben und Flanschmutter sichern. Teile: 1 x Pedalwinkelplatte, 4 x M8 55 mm Schrauben, 4 x quadratische Unterlegscheiben, 4 x M8 Flanschmutter.
- 02 - Siehe Bild. A) Richten Sie die Befestigungsschraube an der Pedalplatte mit den Gewindebohrungen an der Pedalwinkelplatte aus. B) Durchschrauben und mit 4 x M8-Schrauben und Unterlegscheiben sichern. Teile: 1 x Pedalplatte, 4 x M8 16 mm Schrauben, 4 x M8 Unterlegscheiben.
- 03 - Siehe Bild. A) Richten Sie die Befestigungsschraube an den Strahmen mit den Befestigungsschrauben und Gewindebohrungen an Pedalrahmen aus. B) Schrauben Sie oben am Rahmen die Strahmen durch einen solchen Sitz mit 2 x M8 15 mm Schrauben und Unterlegscheiben. C) Durch die Mitte des Rahmens schrauben und mit 2 x M8 55 mm Schrauben, Unterlegscheiben und Flanschmutter sichern. Teile: 2 x Strahmen, 2 x M8 55 mm Schrauben, 2 x M8 16 mm Schrauben, 4 x M8 Unterlegscheiben, 2 x M8 Flanschmutter.
- 04 - Siehe Bild. Richten Sie die Gewindebohrer an der Endkante an den Befestigungsschrauben an linken und rechten Strahmen aus. Durchschrauben und mit 4 x M8-Schrauben und Unterlegscheiben sichern. Teile: 1 x Endplatte, 4 x M8 55 mm Schrauben, 4 x M8 Unterlegscheiben.
- 05 - Siehe Bild. Richten Sie die Befestigungsschraube an den Seitenwänden an den Durchgangsöffnungen an den Strahmen aus. Durchschrauben und mit 4 x M8-Schrauben, Unterlegscheiben und Flanschmutter sichern. Teile: 2 x Seitenwände, 4 x M8 55 mm Schrauben, 4 x M8 Unterlegscheiben, 4 x M8 Flanschmutter.
- 06 - Siehe Bild. Richten Sie die Befestigungsschraube am Querträger an den Durchgangsöffnungen am linken und rechten Strahmen und an den Seitenwänden aus. B) Durchschrauben und mit 4 x M8-Schrauben, Unterlegscheiben und Flanschmutter sichern. Teile: 1 x Querträger, 4 x M8 55 mm Schrauben, 4 x M8 Unterlegscheiben, 4 x M8 Flanschmutter.
- 07 - Siehe Bild. A) Üben Sie mit Ihrem Körpergewicht Druck auf die Sitzfläche aus. Ziehen Sie den Griff des Liegestuhls mit einer Hand nach unten und stellen Sie ihn so ein, dass der Liegestuhl senkrecht zur Sitzfläche steht. Auf der anderen Seite wiederholen. B) Entfernen Sie die 4 x Rundkopfschrauben, die an der Stuhllehne vormontiert sind, und richten Sie die Gewindebohrer an der Stuhllehne an den Befestigungsschrauben an der Sitzfläche aus. C) Durchschrauben und mit 4 x M8 Rundkopfschrauben sichern, die zuvor einseitig entfernt wurden. Entfernen Sie die Wärmehalter auf den Lügen. Teile: 1 x Stuhllehne, 1 x Sitzfläche.
- 08 - Siehe Bild. A) Ziehen Sie den Schiebegriff des Sitzes nach oben und stellen Sie den Sitz auf die vordefinierte Position ein. B) Richten Sie die Befestigungsschraube an den Strahmen an den Sitzbefestigungsstellen (siehe Abbildung am linken und rechten Strahmen aus. C) Hinten durchschrauben und mit 2 x M8 Vierkantenschrauben und Flanschmutter sichern. Teile: 2 x M8 16 mm Vierkantenschrauben, 2 x M8 Flanschmutter.
- 09 - Siehe Bild. A) Ziehen Sie am Sitzbegriff und stellen Sie den Sitz auf die linke Position ein. B) An der Vorderseite durchschrauben und mit 2 x M8 Vierkantenschrauben und Flanschmutter sichern. Teile: 2 x M8 16 mm Vierkantenschrauben, 2 x M8 Flanschmutter.
- 10 - Siehe Bild. A) Richten Sie die Befestigungsschraube an den linken und rechten Seitenarmen an den Durchgangsöffnungen an den linken und rechten Strahmen und Seitenwänden aus. B) Durchschrauben und mit 4 x M8-Schrauben, Unterlegscheiben und Flanschmutter sichern. Teile: 2 x Seitenarme, 4 x M8 55 mm Schrauben, 4 x M8 Unterlegscheiben, 4 x M8 Flanschmutter.
- 11 - Siehe Bild. Lesen Sie die Schrauben, um die Seitenarme auf die gewünschte Höhe und den gewünschten Winkel einzustellen. Ziehen Sie die Schrauben fest, um sie zu verriegeln. Bitte nutzen Sie die zusätzlichen Durchgangsöffnungen an den Strahmen für die Rück- und Vorverstellung. Teile: NULL.
- 12 - Siehe Bild. Richten Sie die Gewindebohrer an der Mäusplatte und der Flagplatte an den Befestigungsschrauben am Querträger aus. Durchschrauben und mit 2 x M8-Schrauben austauschen und können für Link- oder Rechtsläufer montiert werden. Teile: 1 x Mäusplatte, 1 x Flagplatte, 8 x M8-Flanschmutter.
- 13 - Siehe Bild. OPTIMALE HOTAS-INSTALLATION. Richten Sie die Befestigungsschraube an der HOTAS-Außenstange mit den Durchgangsöffnungen am Querträger aus. Durchschrauben und mit 2 x M8-Schrauben, Unterlegscheiben und Flanschmutter sichern. Teile: 1 x HOTAS-Außenstange, 2 x M8 55 mm Schrauben, 2 x M8 Unterlegscheiben, 2 x M8 Flanschmutter.
- 14 - Siehe Bild. Richten Sie die Gewindebohrer an der HOTAS-Außenstange mit den Schlitzen an der HOTAS-Außenstange aus. Durchschrauben und mit 2 x M8-Köpfen sichern. Teile: 1 x HOTAS-Außenstange, 2 x M8 16 mm Schrauben, 3 x M8 16 mm Unterlegscheiben, 3 x M8 Flanschmutter.
- 15 - Siehe Bild. Richten Sie die Befestigungsschraube auf der HOTAS-Platte mit den Durchgangsöffnungen an der HOTAS-Außenstange aus. Durchschrauben und mit 3 x M8-Schrauben, Unterlegscheiben und Flanschmutter sichern. Teile: 1 x HOTAS-Platte, 3 x M8 16 mm Schrauben, 3 x M8 16 mm Unterlegscheiben, 3 x M8 Flanschmutter.
- 16 - Siehe Bild. A) Richten Sie die Befestigungsschraube an der mittleren Außenstange mit den Löchern am Pedalrahmen aus. B) Richten Sie das Barndübelstück mit den Löchern an der mittleren Außenstange aus. Durchschrauben und mit 2 x M8-Schrauben, Unterlegscheiben und Flanschmutter sichern. Teile: 1 x Center Outer, 2 x M8 55 mm Schrauben, 2 x M8 Unterlegscheiben, 2 x M8 Flanschmutter, 1 x Barndübelstück.
- 17a - Siehe Bild. Haken Sie den Mischlager vorsichtig oben auf dem Pedalrahmen und verschieben Sie sich, bis die Verriegelung einrastet.
- 17b - Siehe Bild. Haken Sie den Mischlager richtig in der Verriegelung ein und ziehen Sie die Verriegelung, bis sie fest sitzt.
- 18 - Siehe Bild. Bingen Sie 1 x Filamentkette oben an der mittleren Innenstange an. Richten Sie die Gewindebohrer an der mittleren Innenstange an der mittleren Innenstange und lockern Sie sie wieder.
- 19 - Siehe Bild. Mitten in der Filamentkette verwenden, installieren Sie bitte die optionalen Sitzkette (Seite 23-26). Teile: 1 x mittlere Innenstange, 2 x 15mm-Köpfe, 1 x Filamentkette.
- 20 - Köpfe sichern. HINWEIS: Wenn High-End-Fidrigel verwendet werden, installieren Sie bitte die optionalen Sitzkette mit den Durchgangsöffnungen an der Mittelschraube aus. Durchschrauben und mit 3 x M8 60 mm Schrauben, Unterlegscheiben und Flanschmutter sichern. Teile: 3 x M8 60 mm Schrauben, 3 x M8 16 mm Unterlegscheiben, 3 x M8 Flanschmutter.
- 19a - Siehe Bild. INSTALLATION DES OPTIONALEN TURTLE BEACH ADAPTERS (Formzahl von 19a). A) Schrauben Sie durch 2 x M8-Bohrungen in die hinteren Gewindebohrer auf der mittleren Lochplatte. B) Richten Sie die Befestigungsschraube an der Turtle Beach-Adapterplatte mit den Gewindebohrungen aus und sichern Sie sie mit 2 x M8-Flanschmutter. Teile: 1 x Turtle Beach Adapterplatte, 2 x M8 20 mm Gewindebohrer, 2 x M8 Flanschmutter.

