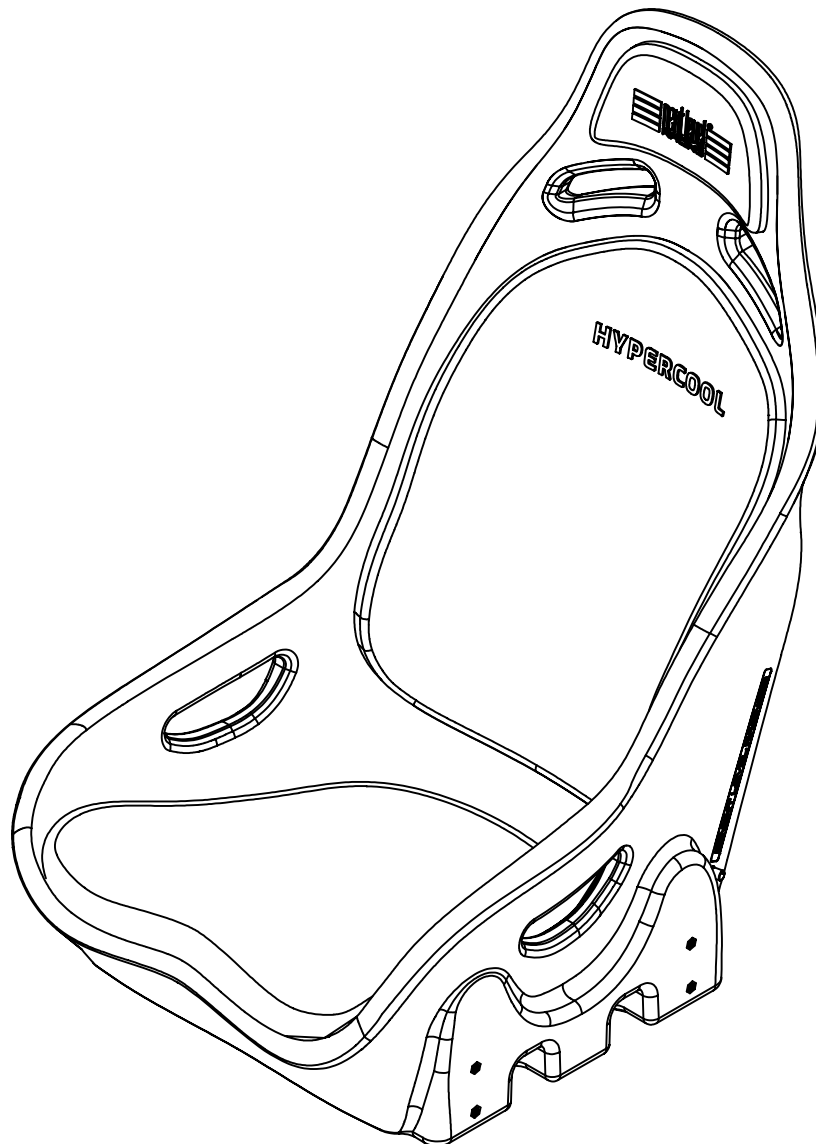


TAKE RACING TO THE NEXT LEVEL®

# **ESI**

## **HYPERCOOL**

### **INSTRUCTION MANUAL**



\*IMAGE IS INDICATIVE ONLY\*



# YOUR SIM RACING JOURNEY STARTS HERE

We know you're eager to start racing! Take your time with the instructions and follow this guide to assemble your product. You'll be setting yourself up for success by following the instruction booklet to fully optimize your product.



@next\_level\_racing



@nextlevelracingOfficial



@nextlvlracing



Next Level Racing



support@nextlevelracing.com

**TAKE RACING  
TO THE NEXT LEVEL®**

**NEXTLEVELRACING.COM**





support@nextlevelracing.com


# PRE-RACE CHECKS

## WARNING

- Read and understand this manual and its safety instructions before using this product.
- Only use the supplied power adapter.
- Do not use the seat unless securely mounted to compatible cockpits.
- Do not use power tools for assembly as over tightening can damage parts.
- Do not force parts together.
- Avoid cross threading bolts.
- Beware of sharp edges.
- Make sure all assembly fittings are securely tightened and check them regularly for safety and stability.
- Do not use the seating if any part is broken, torn, or missing.
- Seats are designed for simulators and esports, not for road use or in vehicle.



If you require any support with your product please contact our friendly team at:  
[support@nextlevelracing.com](mailto:support@nextlevelracing.com)



**WARNING**  
**CHOKING HAZARD** - Small parts not for children under 3 years or any individuals who have a tendency to place inedible objects in their mouths.





**ASSEMBLY VIDEO**

[bit.ly/nlrbuild](https://bit.ly/nlrbuild)

**NLR-E062 ES1 HYPERCOOL VENTILATED SIM RACING SEAT**  
**NLR-E062 INSTRUCTIONS**  
 Date of Document: November, 2025

Manufactured by:  
**Next Level Racing Simulations PTY LTD**  
 23 Olympic CCT,  
 Southport, QLD, 4215  
 Australia



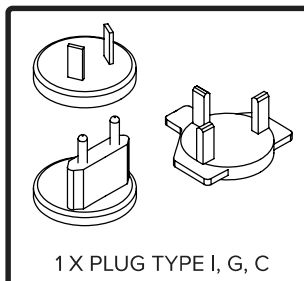
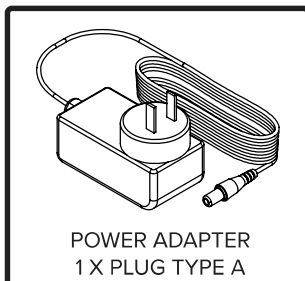
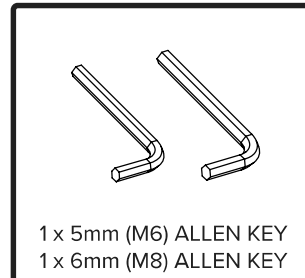
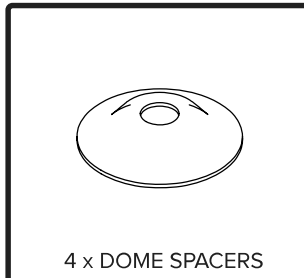
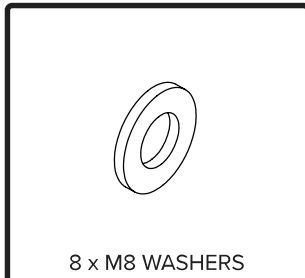
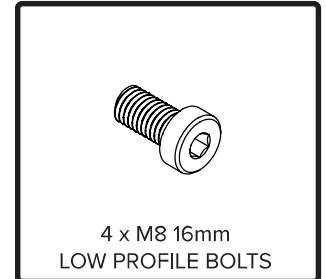
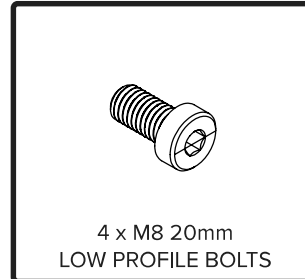
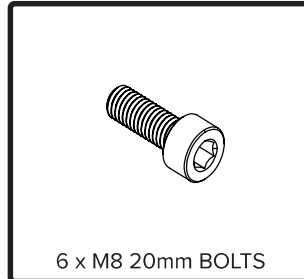
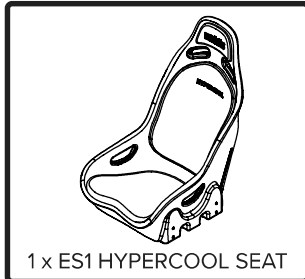


Video Instruction: [bit.ly/nlrbuild](https://bit.ly/nlrbuild)

# IN THE BOX

*NOTE: Some Items Come with Rust Resistant Coating*

\*NOT TO SCALE





## CONTENTS: EN

---

1 INTRODUCTION	7
1.1 Explanation of Safety Warnings in this manual	7
1.2 Retaining Instructions	7
1.3 Obtaining Additional Documentation and Information	8
1.3.1 Support and Service	8
1.4 Intended Use and Reasonably Foreseeable Misuse	8
2 DESCRIPTION OF THE PRODUCT	8
2.1 Technical Data	8
2.2 Product Compliance	8
3 IMPORTANT SAFETY INFORMATION	9
3.1 How to Use the Next Level Racing ES1 Hypercool Safely	9
3.1.1 General Safety Information Related to Intended Use	9
3.1.2 Child Safety Information	10
3.1.3 Maintenance and Storage Safety	10
3.1.4 Repairs and Modifications	10
4 INSTRUCTIONS	11
4.1 Connections & Operations	11
4.2 NLR ELITE Cockpit Series Assembly for Side Mounting	12
4.3 NLR GTTRACK Assembly	15
4.4 NLR F-GT Assembly	18
5 DISPOSALS	20
5.1 How to Dispose the Product	20
5.1.1 Disposal of electronic components	20
5.1.2 Disposal of packaging waste	20



Video Instruction: [bit.ly/nlrbuild](https://bit.ly/nlrbuild)

## 1 INTRODUCTION

---

Thank you for purchasing the Next Level Racing ES1 Hypercool Seat. This manual is designed to guide you through the setup and usage of your new seat. If you have any questions or require assistance, please reach out to our support team at [support@nextlevelracing.com](mailto:support@nextlevelracing.com).

### 1.1 Explanation of Safety Warnings in this manual

The safety of the user is our top priority. Please pay close attention to the following hazard classifications throughout this manual:

#### DANGER

Danger indicates a high-risk hazard which, if not avoided, will result in death or serious injury.

#### WARNING

Warning indicates a medium-risk hazard which, if not avoided, could result in death or serious injury.

#### CAUTION

Caution indicates a low-risk hazard which, if not avoided, could result in minor injury or product damage

#### NOTICE

Provides important information that is not related to hazards but is essential for proper use.

### 1.2 Retaining Instructions

Before using this product, carefully read and understand this manual and all its safety instructions. Failure to do so could result in serious injury. The product should only be used by individuals familiar with these safety guidelines.

- **Safety Compliance:** All users must fully understand and follow the safety instructions to avoid potential risks such as fire, electric shocks, or other hazards that could cause personal injury or property damage.
- **Retain this Manual:** Keep this manual in a safe location for future reference. If the product is passed on to another user, ensure they receive this manual and are aware of the safety instructions.
- **Warranty Considerations:** The warranty will be void if the product is misused or the safety instructions are ignored. The manufacturer is not liable for damage or injury caused by improper handling or non-compliance with safety guidelines.



### 1.3 Obtaining Additional Documentation and Information

#### 1.3.1 Support and Service:

For additional product documentation or to obtain more information, visit our website:

<https://nextlevelracing.com>

For any questions, technical assistance, or to order user instructions, please contact our support team at: [support@nextlevelracing.com](mailto:support@nextlevelracing.com)

### 1.4 Intended Use and Reasonably Foreseeable Misuse

The **Next Level Racing ES1 Hypercool Seat** is designed solely for indoor gaming applications and should be used only within gaming simulators or esports environments. It must not be used in vehicles, on public roads, or for any non-gaming-related activity.

Any use beyond its intended purpose is considered misuse and may result in damage or injury.

## 2 DESCRIPTION OF THE PRODUCT

---

### 2.1 Technical Data

PARAMETER	UNIT
Device name	<b>Next Level Racing® ES1 HYPERCOOL Ventilated Sim Racing Seat</b>
Designation	Sim Racing Seat
Type	ES1 Hypercool
Voltage/Frequency	12VDC, 24W, 100V-240VAC/2A/50-60Hz
Maximum load	150 kg (330 lbs)

### 2.2 Product Compliance

The **Next Level Racing® ES1 HYPERCOOL Ventilated Sim Racing Seat** complies with the following product compliance standards:

**Product Certifications:** CE, ROHS, REACH, WEEE, UKCA / UKCA ROHS, RCM, PSE, FCC Part 15, CA 65, KC Certification, CCC, CN ROHS

#### FCC Compliance Statement:

This device complies with Part 15 of the FCC Rules. Operation is subject to the following two conditions:

1. This device may not cause harmful interference.
2. This device must accept any interference received, including interference that may cause undesired operation.



Video Instruction: [bit.ly/nlrbuild](https://bit.ly/nlrbuild)

## CAUTION

*Any unauthorized changes or modifications to the **Next Level Racing® ES1 HYPERCOOL Ventilated Sim Racing Seat** that are not expressly approved by the manufacturer or the party responsible for compliance may void your right to operate the product and could result in the seat no longer meeting safety standards, posing a potential hazard or malfunction.*

**NOTE:** *This equipment has been tested and found to comply with the limits for a **Class B** digital device, per Part 15 of the FCC Rules. These limits are designed to provide reasonable protection against harmful interference in residential installations. This equipment generates, uses, and can radiate radio frequency energy, and if not installed or used according to the instructions, may cause harmful interference to radio communications. However, there is no guarantee that interference will not occur in a particular installation. If harmful interference occurs, the user is encouraged to take the following corrective actions:*

- *Reorient or relocate the product or receiver.*
- *Increase the separation between the equipment and receiver.*
- *Connect the equipment to an outlet on a circuit different from the receiver.*
- *Consult the manufacturer or a qualified technician for further assistance.*

## 3 IMPORTANT SAFETY INFORMATION

---

### WARNING

### 3.1 How to Use the Next Level Racing ES1 Hypercool Safely

#### 3.1.1 General Safety Information Related to Intended Use

- **Not Suitable for Individuals with Impaired Abilities:** The product is not intended for use by individuals (including children) with physical, sensory, or intellectual disabilities, or those lacking experience or knowledge, unless under the supervision of a responsible person or provided with appropriate instructions.
- **Individual Use Only:** The ES1 Hypercool Seat is intended for individual use only.
- **Power Supply Compatibility:** Ensure that the power supply matches the seat's voltage and current specifications. Only use the power supply adapter provided with the product.
- **Risk of Electric Shock:** To prevent electrical shock, never immerse the seat in liquid and ensure that no liquid or debris enters the interior of the seat.
- **Visible Damage or Excessive Heat:** If the seat, power supply cord or power adapter shows visible damage, unusual odors, or excessive heat during use, stop using the seat immediately and disconnect it from the power supply.



### 3.1.2 Child Safety Information

- **Child Safety:** Keep children away from the seat to prevent injury. Always supervise children to prevent them from tampering with the product.
- **Packaging Materials:** Never leave children unattended with packaging material, as it may pose a suffocation hazard.

### 3.1.3 Maintenance and Storage Safety

- **Disconnect Before Cleaning:** Always unplug the seat before cleaning to avoid electrical hazards.
- **Cleaning Instructions:** Use a damp cloth moistened with warm water for cleaning. Avoid water from entering the internal components of the seat to prevent electrical damage or electrocution.
- **Extended Non-Use:** If the seat is not going to be used for an extended period, unplug it from the power supply to prevent electrical malfunctions or damage due to power surges.
- **Proper Storage:** Store the seat in a cool, dry location, away from direct sunlight, moisture, or heat sources, to ensure the longevity of internal components.

## CAUTION

### 3.1.4 Repairs and Modifications

- **Repairs or Modifications:** Do not attempt to open, modify, or repair the product. Unauthorized changes will void the warranty and could result in malfunction or hazards.
- **Use Only Original Accessories:** Always use original accessories and spare parts provided by the manufacturer. Unauthorized modifications or third-party parts may compromise product safety and performance.

## Compliance and Safety Reminder

Failure to adhere to the safety instructions may result in severe injury, electrical shock, or product damage. Always follow the manual's guidelines for setup, usage, and maintenance. Ensure that all users are well-informed about safety precautions before use.

Keep this manual in a secure location for future reference.

For further assistance or inquiries, please contact us at:

**support@nextlevelracing.com**

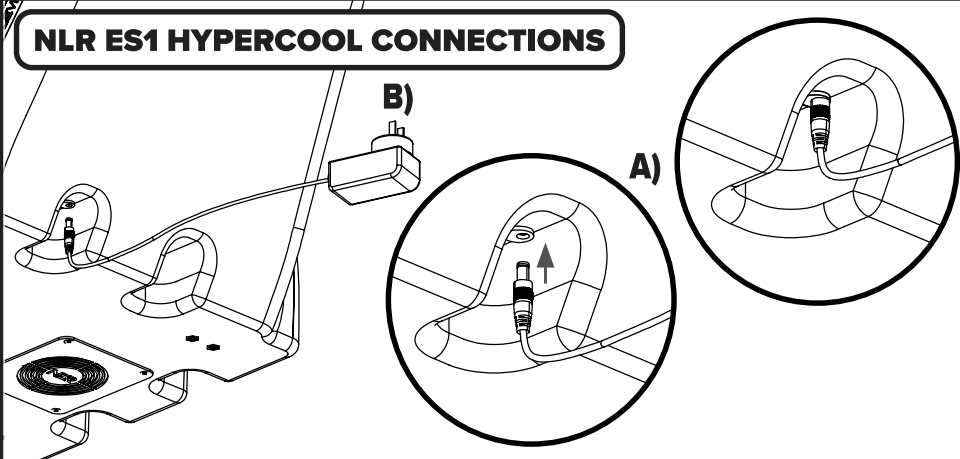


Video Instruction: [bit.ly/nlrbuild](https://bit.ly/nlrbuild)

## 4 INSTRUCTIONS

### 4.1 Connections & Operations

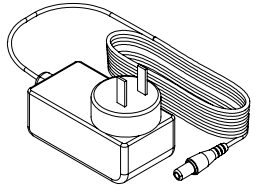
**NLR ES1 HYPERCOOL CONNECTIONS**



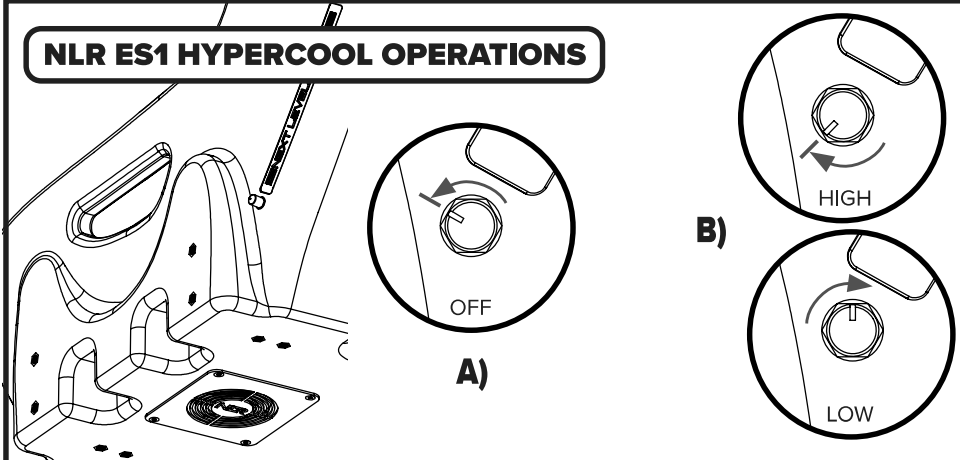
**01** A) Connect the Power Cable by inserting into the receiving socket, located underneath the back of seat.  
B) Connect the Power Adapter to the Power Supply.

**PARTS:**

- 1 x Power Adapter Plug Type A



**NLR ES1 HYPERCOOL OPERATIONS**



**02** Rotate the dial switch located on the side of seat to operate the Next Level Racing Hypercool fan.  
A) Rotate dial counter-clockwise turns off fan. B) Rotate dial clockwise increases speed of fan.

**PARTS:**

- NIL



## 4.2 NLR ELITE Cockpit Series Assembly for Side Mounting

(Universal Seat Brackets required for GT ELITE LITE)

**NOTE:** Attach your seat to a cockpit before using. Follow instructions below to attach onto Next Level Racing Cockpits. Once the seat is installed to cockpit go to page 11, Step 2 for operating instructions.



**WARNING:** The steps do not show cable management. Please take caution of cable management and ensure cables do not get pinched with seat & frame assembly. Do not place cables on or over seat sliders.

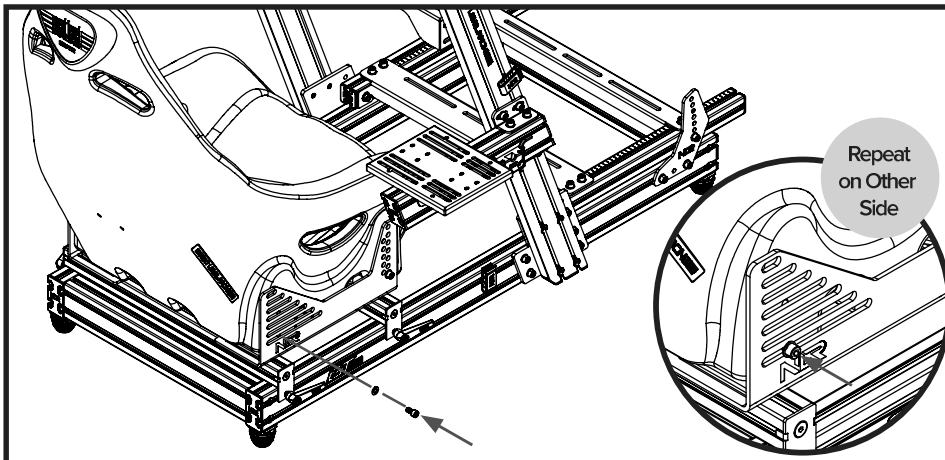
	<p><b>PARTS:</b></p> <ul style="list-style-type: none"> <li>• NIL</li> </ul>
<p><b>03</b> Check internal Seat Brackets width 500mm.</p>	

	<p><b>PARTS:</b></p> <ul style="list-style-type: none"> <li>• 1x ES1 Hypercool Seat</li> </ul>
<p><b>04</b> Confirm fit of Seat with position of Seat Brackets.</p>	

	<p><b>PARTS:</b></p> <ul style="list-style-type: none"> <li>• 2 x M8 16mm Low Profile Bolts</li> <li>• 2 x M8 Washer</li> </ul>
<p><b>05</b> Install front M8 Bolt and Washer through Seat Bracket into seat inserts. Repeat on other side.</p>	



Video Instruction: [bit.ly/nlrbuild](https://bit.ly/nlrbuild)



**PARTS:**

- 2 x M8 16mm Low Profile Bolts



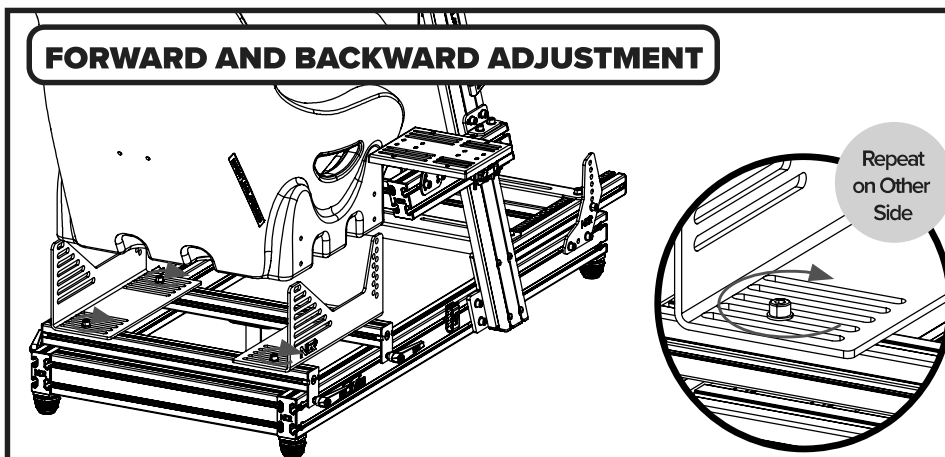
- 2 x M8 Washer



**06**

Install rear M8 Bolt and Washer through Seat Bracket into seat inserts. Repeat on other side.

**FORWARD AND BACKWARD ADJUSTMENT**



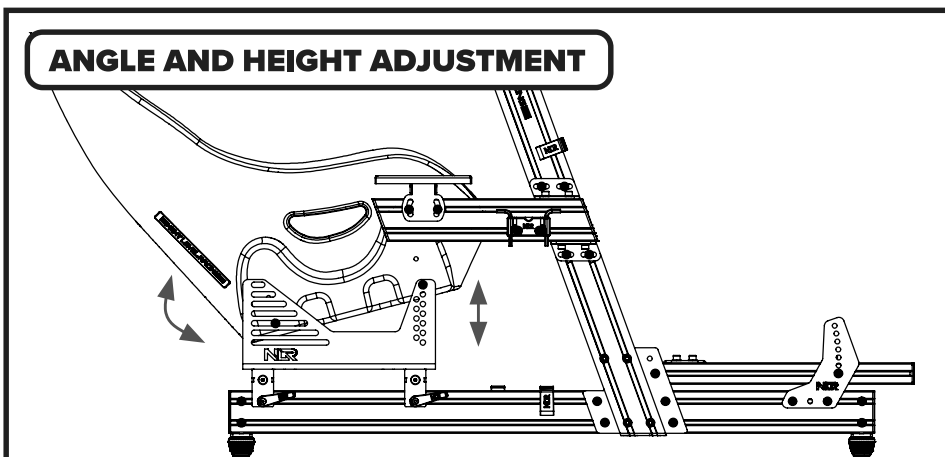
**PARTS:**

- NIL

**07**

Adjust the Seat to the desired distance from pedals. Secure the Bolts connecting the Seat Brackets to the Base Members.

**ANGLE AND HEIGHT ADJUSTMENT**



**PARTS:**

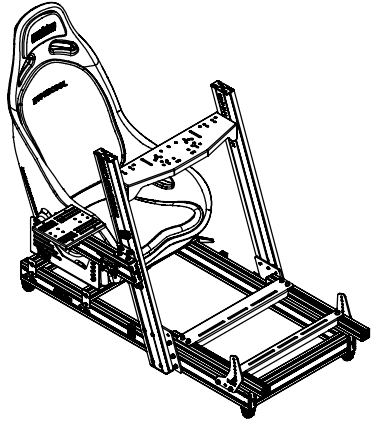
- NIL

**08**

For angle and height adjustment use the variety of mounting holes and slots provided on the Seat Brackets.



support@nextlevelracing.com



**PARTS:**

- NIL

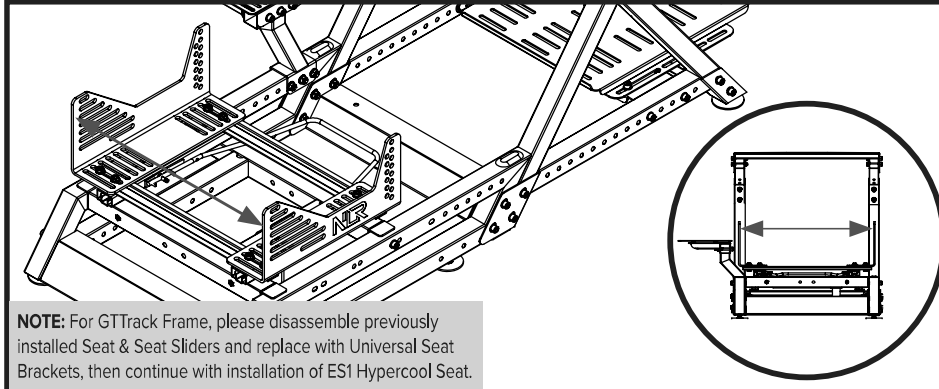
**09**

Your ES1 Hypercool Seat installation is complete on the Elite Series cockpit.



Video Instruction: [bit.ly/nlrbuild](https://bit.ly/nlrbuild)

### 4.3 NLR GTTRACK Assembly

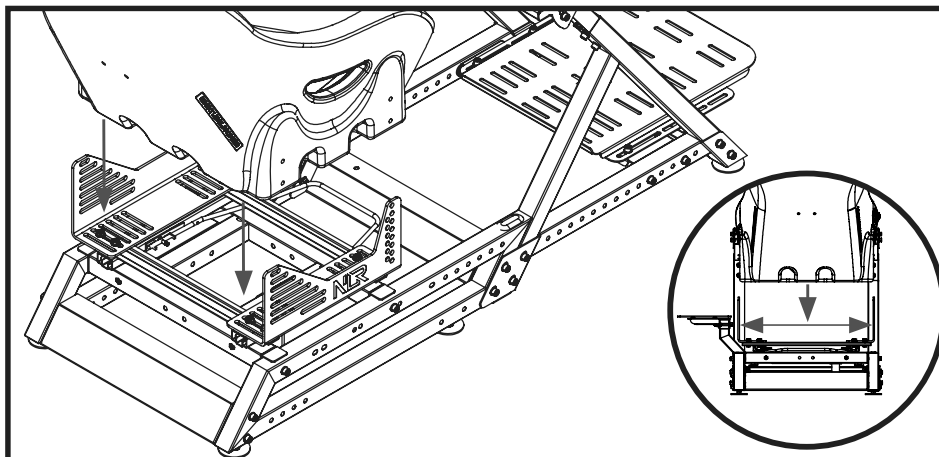


**NOTE:** For GTTrack Frame, please disassemble previously installed Seat & Seat Sliders and replace with Universal Seat Brackets, then continue with installation of ES1 Hypercool Seat.

**PARTS:**

- NIL

**10** Check internal Seat Brackets width 500mm.

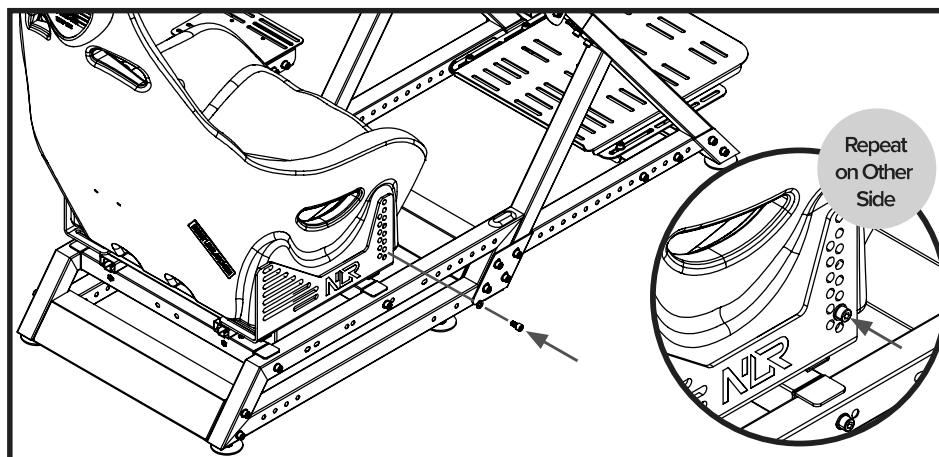


**PARTS:**

- 1 x ES1 Hypercool Seat



**11** Confirm fit of Seat with position of Seat Brackets.



**PARTS:**

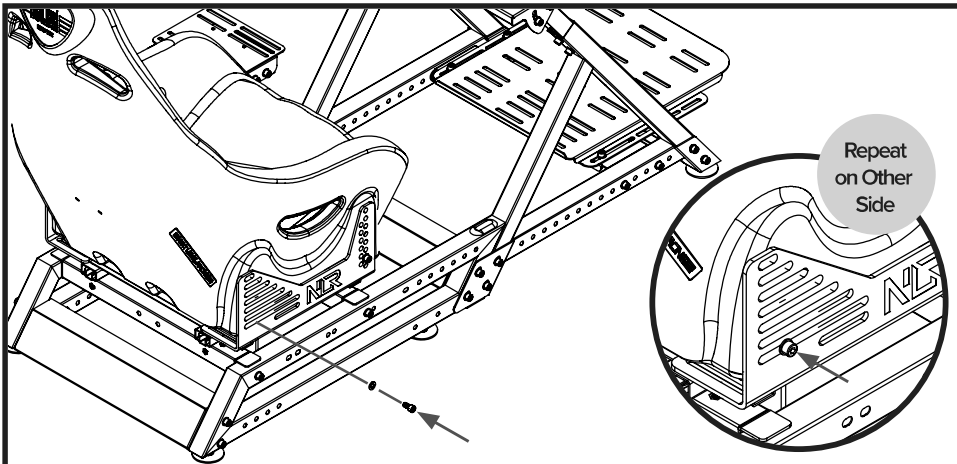
- 2 x M8 16mm Low Profile Bolts



- 2 x M8 Washer



**12** Install front M8 Bolt and Washer through Seat Bracket into seat inserts. Repeat on other side.



**PARTS:**

- 2 x M8 16mm Low Profile Bolts



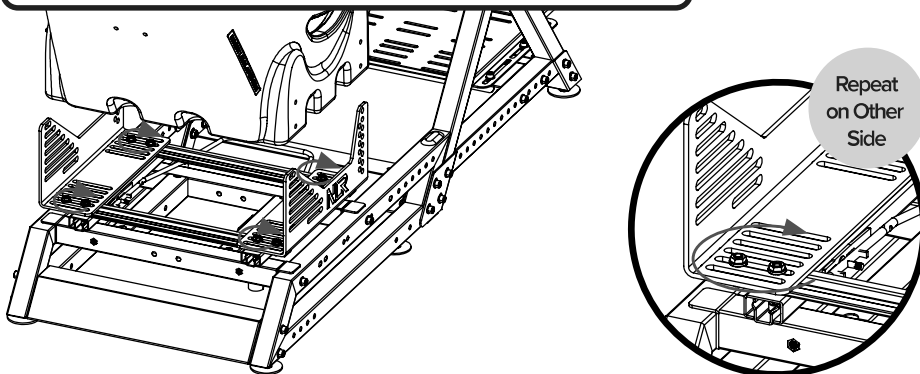
- 2 x M8 Washer



**13**

Install rear M8 Bolt and Washer through Seat Bracket into seat inserts. Repeat on other side.

**FORWARD AND BACKWARD ADJUSTMENT**



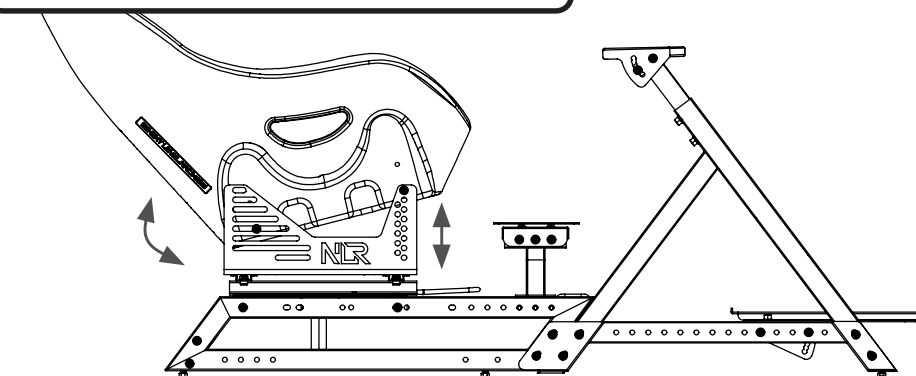
**PARTS:**

- NIL

**14**

Adjust the Seat to the desired distance from pedals. Secure the Bolts connecting the Seat Brackets to the Base Members.

**ANGLE AND HEIGHT ADJUSTMENT**



**PARTS:**

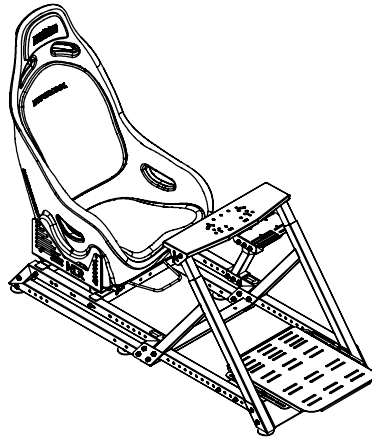
- NIL

**15**

For angle and height adjustment use the variety of mounting holes and slots provided on the Seat Brackets.



Video Instruction: [bit.ly/nlrbuild](https://bit.ly/nlrbuild)



**PARTS:**

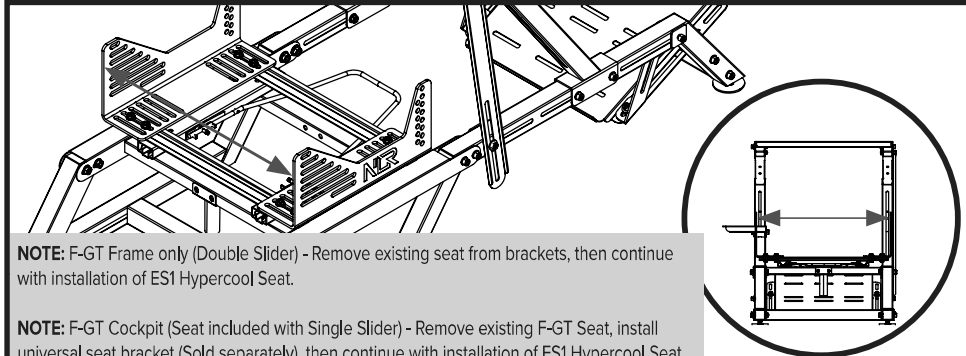
- NIL

**16**

Your ES1 Hypercool Seat installation is complete on the GTTrack cockpit.



## 4.4 NLR F-GT Assembly



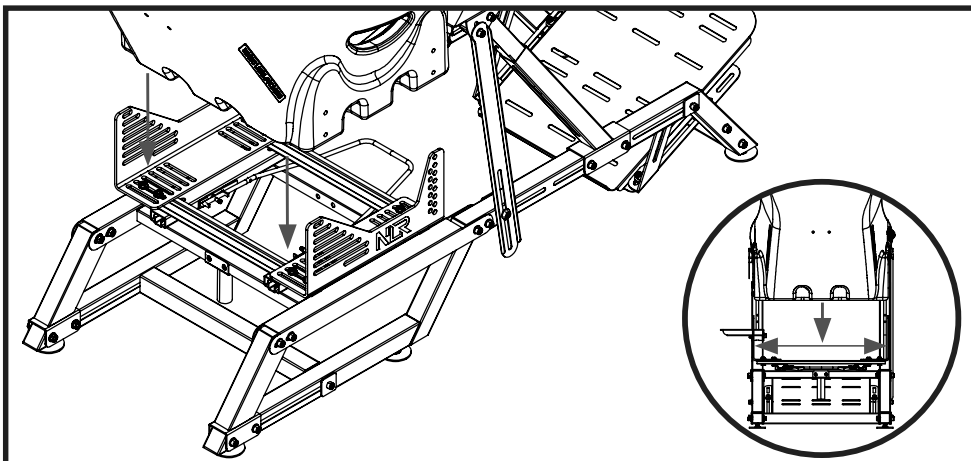
**NOTE:** F-GT Frame only (Double Slider) - Remove existing seat from brackets, then continue with installation of ES1 Hypercool Seat.

**NOTE:** F-GT Cockpit (Seat included with Single Slider) - Remove existing F-GT Seat, install universal seat bracket (Sold separately), then continue with installation of ES1 Hypercool Seat.

**17** Check internal Seat Brackets width 500mm .

**PARTS:**

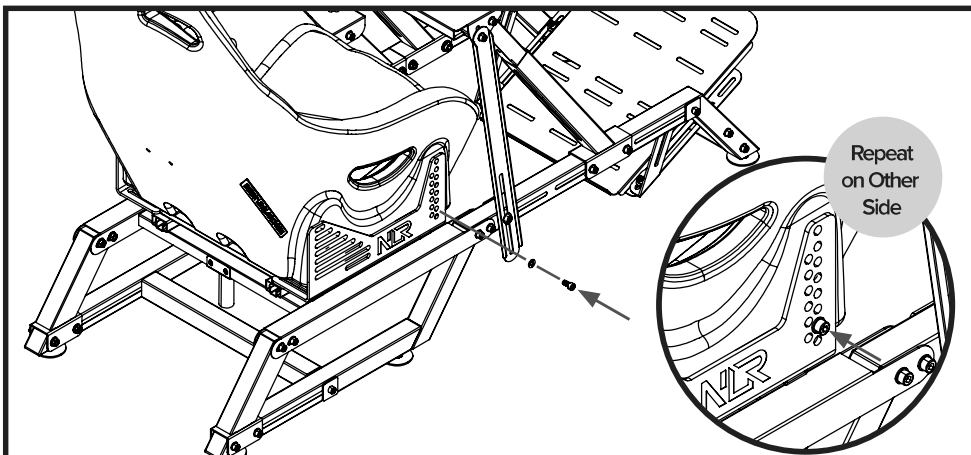
- NIL



**18** Confirm fit of Seat with position of Seat Brackets.

**PARTS:**

- 1 x ES1 Hypercool Seat



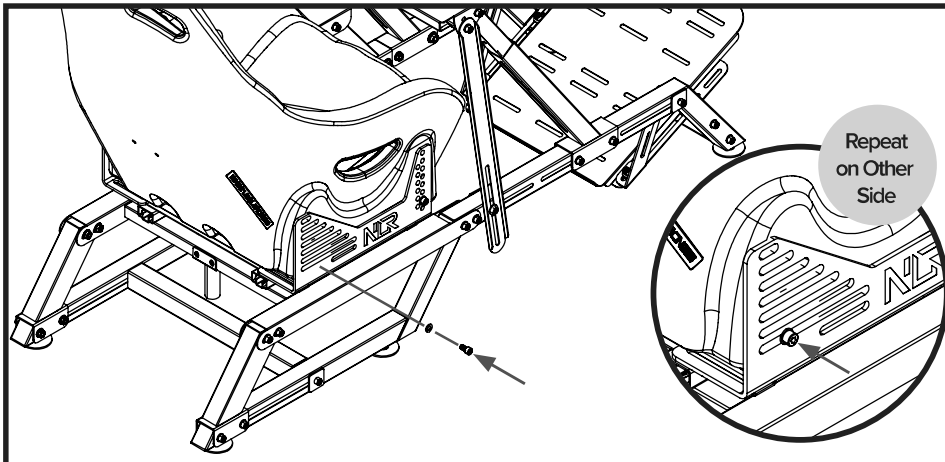
**19** Install front M8 Bolt and Washer through Seat Bracket into seat inserts. Repeat on other side.

**PARTS:**

- 2 x M8 16mm Low Profile Bolts
- 2 x M8 Washer



Video Instruction: [bit.ly/nlrbuild](https://bit.ly/nlrbuild)



**PARTS:**

- 2 x M8 16mm Low Profile Bolts



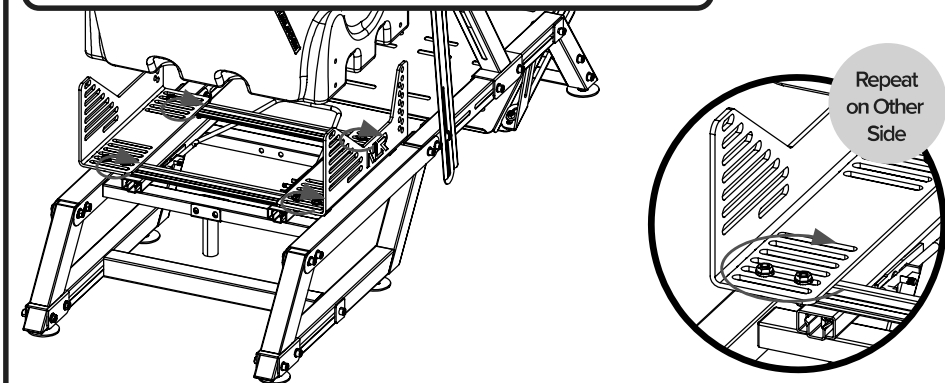
- 2 x M8 Washer



**20**

Install rear M8 Bolt and Washer through Seat Bracket into seat inserts. Repeat on other side.

**FORWARD AND BACKWARD ADJUSTMENT**



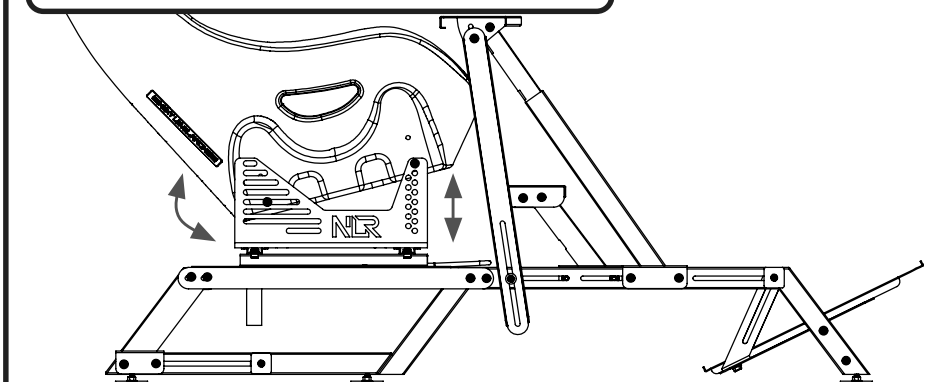
**PARTS:**

- NIL

**21**

Adjust the Seat to the desired distance from pedals. Secure the Bolts connecting the Seat Brackets to the Base Members.

**ANGLE AND HEIGHT ADJUSTMENT**

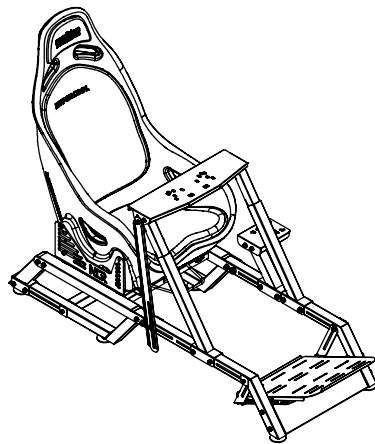


**PARTS:**

- NIL

**22**

For angle and height adjustment use the variety of mounting holes and slots provided on the Seat Brackets.



**PARTS:**

- NIL

**23**

Your ES1 Hypercool Seat installation is complete on the F-GT cockpit.

## 5 DISPOSALS

### 5.1 How to Dispose the Product

#### 5.1.1 Disposal of electronic components



The symbol on the product, the accessories or packaging indicates that this device must not be treated as unsorted municipal waste but must be collected separately. Dispose of the device via a collection point for the recycling of waste electrical and electronic equipment if you live within the EU and in other European countries that operate separate collection systems for waste electrical and electronic equipment. By disposing of the device in the proper manner, you help to mitigate possible hazards for the environment and public health that are caused by improper disposal of electronic waste. The recycling of materials contributes to the conservation of natural resources. Do not dispose of your old electrical and electronic equipment with the unsorted municipal waste.

#### 5.1.2 Disposal of packaging waste

The packaging may be disposed through your local recycling facilities. By disposing of the packaging and packaging waste in the proper manner, you help to mitigate possible hazards for the environment and public health.



Video Instruction: [bit.ly/nlrbuild](https://bit.ly/nlrbuild)

**DE**

## ES1 Hypercool Bedienungsanleitung

Wir wissen, dass Sie es kaum erwarten können, mit dem Rennfahren zu beginnen! Nehmen Sie sich Zeit mit den Anweisungen und befolgen Sie diese Anleitung, um Ihr Produkt zusammenzubauen. Sie bereiten sich auf den Erfolg vor, indem Sie der Bedienungsanleitung folgen, um Ihr Produkt vollständig zu optimieren.

### CHECKS VOR DEM RENNEN

#### WARNUNG

- Lesen und verstehen Sie dieses Handbuch und die dazugehörigen Sicherheitshinweise, bevor Sie dieses Produkt verwenden.
- Verwenden Sie nur das mitgelieferte Netzteil.
- Verwenden Sie den Sitz nur, wenn er sicher an kompatiblen Cockpits montiert ist.
- Verwenden Sie für die Montage keine Elektrowerkzeuge, da ein zu festes Anziehen die Teile beschädigen kann.
- Schieben Sie die Teile nicht gewaltsam zusammen.
- Vermeiden Sie Kreuzgewindebolzen.
- Vorsicht vor scharfen Kanten.
- Vergewissern Sie sich, dass alle Montagebeschläge fest angezogen sind und überprüfen Sie sie regelmäßig auf Sicherheit und Stabilität.
- Verwenden Sie die Sitze nicht, wenn ein Teil gebrochen, zerrissen oder fehlend ist.
- Die Sitze sind für Simulatoren und Esports konzipiert, nicht für den Straßenverkehr oder im Fahrzeug.

Wenn Sie Unterstützung bei Ihrem Produkt benötigen, wenden Sie sich bitte an unser freundliches Team unter: [support@nextlevelracing.com](mailto:support@nextlevelracing.com)

#### WARNUNG VOR ERSTICKUNGSGEFAHR

Kleinteile, nicht für Kinder unter 3 Jahren oder Personen, die dazu neigen, ungenießbare Gegenstände in den Mund zu nehmen.

##### 1. Einleitung

Vielen Dank, dass Sie sich für den Next Level Racing ES1 Hypercool Sitz entschieden haben. Dieses Handbuch soll Sie durch die Einrichtung und Verwendung Ihres neuen Sitzes führen. Wenn Sie Fragen haben oder Hilfe benötigen, wenden Sie sich bitte an unser Support-Team unter [support@nextlevelracing.com](mailto:support@nextlevelracing.com).

##### 1.1 Erläuterung der Sicherheitshinweise in diesem Handbuch

Die Sicherheit des Nutzers steht für uns an erster Stelle. Bitte beachten Sie die folgenden Gefahreinstufungen in diesem Handbuch:

- **GEFAHR:** Weist auf eine Gefahr mit hohem Risiko hin, die, wenn sie nicht vermieden wird, zum Tod oder zu schweren Verletzungen führt.
- **WARNUNG:** Weist auf eine Gefahr mit mittlerem Risiko hin, die, wenn sie nicht vermieden wird, zum Tod oder zu schweren Verletzungen führen kann.
- **VORSICHT:** Weist auf eine Gefahr mit geringem Risiko hin, die, wenn sie nicht vermieden wird, zu leichten Verletzungen oder Produktschäden führen kann.
- **HINWEIS:** Enthält wichtige Informationen, die sich nicht auf Gefahren beziehen, aber für den ordnungsgemäßen Gebrauch unerlässlich sind.

##### 1.2 Anweisungen zur Aufbewahrung

Bevor Sie dieses Produkt verwenden, lesen und verstehen Sie dieses Handbuch und alle seine Sicherheitshinweise sorgfältig. Andernfalls kann es zu schweren Verletzungen kommen. Das Produkt darf nur von Personen verwendet werden, die mit diesen Sicherheitsrichtlinien vertraut sind.

- **Einhaltung der Sicherheitsvorschriften:** Alle Benutzer müssen die Sicherheitshinweise vollständig verstehen und befolgen, um potenzielle Risiken wie Feuer, Stromschläge oder andere Gefahren zu vermeiden, die zu Personen- oder Sachschäden führen könnten.
- **Bewahren Sie dieses Handbuch auf:** Bewahren Sie dieses Handbuch zum späteren Nachschlagen an einem sicheren Ort auf. Wenn das Produkt an einen anderen Benutzer weitergegeben wird, stellen Sie sicher, dass dieser dieses Handbuch erhält und die Sicherheitshinweise kennt.
- **Überlegungen zur Garantie:** Die Garantie erlischt, wenn das Produkt missbraucht wird oder die Sicherheitshinweise ignoriert werden. Der Hersteller haftet nicht für Schäden oder Verletzungen, die durch unsachgemäße Handhabung oder Nichteinhaltung von Sicherheitsrichtlinien verursacht werden.

##### 1.3 Beschaffung zusätzlicher Unterlagen und Informationen

Support und Service:

Weitere Produktdokumentationen oder weitere Informationen finden Sie auf unserer Website:

<https://nextlevelracing.com>



## DE

Bei Fragen, technischer Unterstützung oder zur Bestellung von Bedienungsanleitungen wenden Sie sich bitte an unser Support-Team unter:

support@nextlevelracing.com

### 1.4 Bestimmungsgemäße Verwendung und vernünftigerweise vorhersehbare Fehlverwendung

Der Next Level Racing ES1 Hypercool Sitz wurde ausschließlich für Indoor-Gaming-Anwendungen entwickelt und sollte nur in Gaming-Simulatoren oder E-Sport-Umgebungen verwendet werden. Es darf nicht in Fahrzeugen, auf öffentlichen Straßen oder für andere Aktivitäten verwendet werden, die nichts mit Spielen zu tun haben.

Jede über den vorgesehenen Verwendungszweck hinausgehende Verwendung gilt als Missbrauch und kann zu Schäden oder Verletzungen führen.

## 2. Beschreibung des Produkts

### 2.1 Technische Daten

PARAMETER	EINHEIT
Gerätename	Next Level Racing® ES1 HYPERCOOL Belüfteter Sim-Racing-Sitz
Bezeichnung	Sim Racing Sitz
Art	ES1 Hypercool
Spannung/Frequenz	12VDC, 24W, 100V-240VAC/2A/50-60Hz
Höchstlast	150 kg (330 lbs)

### 2.2 Produktkonformität

Der Next Level Racing® ES1 HYPERCOOL Belüfteter Sim-Racing-Sitz erfüllt die folgenden Produktkonformitätsnormen:

Produktzertifizierungen: CE, ROHS, REACH, WEEE, UKCA / UKCA ROHS, RCM, PSE, FCC Part 15, CA 65, KC-Zertifizierung, CCC, CN ROHS

FCC-Konformitätserklärung:

Dieses Gerät entspricht Teil 15 der FCC-Bestimmungen. Der Betrieb unterliegt den folgenden zwei Bedingungen:

1. Dieses Gerät darf keine schädlichen Interferenzen verursachen.
2. Dieses Gerät muss alle empfangenen Interferenzen akzeptieren, einschließlich Interferenzen, die einen unerwünschten Betrieb verursachen können.

#### VORSICHT:

Nicht autorisierte Änderungen oder Modifikationen am Next Level Racing ES1 Hypercool-Sitz, die nicht ausdrücklich vom Hersteller oder der für die Einhaltung verantwortlichen Partei genehmigt wurden, können zum Erlöschen Ihres Rechts zum Betrieb des Produkts führen und dazu führen, dass der Sitz nicht mehr den Sicherheitsstandards entspricht, was eine potenzielle Gefahr oder Fehlfunktion darstellt.

#### Anmerkung:

Dieses Gerät wurde getestet und entspricht den Grenzwerten für ein digitales Gerät der Klasse B gemäß Teil 15 der FCC-Bestimmungen. Diese Grenzwerte sollen einen angemessenen Schutz vor schädlichen Interferenzen in Wohnanlagen bieten. Dieses Gerät erzeugt, verwendet und kann Hochfrequenzenergie ausstrahlen und kann, wenn es nicht gemäß den Anweisungen installiert oder verwendet wird, schädliche Interferenzen bei der Funkkommunikation verursachen. Es gibt jedoch keine Garantie dafür, dass bei einer bestimmten Installation keine Interferenzen auftreten. Wenn schädliche Interferenzen auftreten, wird der Benutzer aufgefordert, die folgenden Korrekturmaßnahmen zu ergreifen:

- Richten Sie das Produkt oder den Empfänger neu aus oder stellen Sie es um.
- Vergrößern Sie den Abstand zwischen Gerät und Empfänger.
- Schließen Sie das Gerät an eine Steckdose an, die sich von dem des Empfängers unterscheidet.
- Wenden Sie sich an den Hersteller oder einen qualifizierten Techniker, um weitere Unterstützung zu erhalten.

## 3. Wichtige Sicherheitsinformationen

### WARNUNG:

#### 3.1.1 Allgemeine Sicherheitsinformationen in Bezug auf den Verwendungszweck

- Nicht geeignet für Personen mit eingeschränkten Fähigkeiten: Das Produkt ist nicht für die Verwendung durch Personen (einschließlich Kinder) mit körperlichen, sensorischen oder geistigen Behinderungen oder Personen ohne Erfahrung oder Wissen bestimmt, es sei denn, es wird von einer verantwortlichen Person beaufsichtigt oder mit entsprechenden Anweisungen versehen.
- Nur für den individuellen Gebrauch: Der ES1 Hypercool-Sitz ist nur für den individuellen Gebrauch bestimmt.
- Kompatibilität des Netzteils: Stellen Sie sicher, dass das Netzteil den Spannungs- und Stromspezifikationen des Sitzes entspricht.

Verwenden Sie nur das mit dem Produkt gelieferte Netzteil.

- Gefahr eines Stromschlags: Um einen Stromschlag zu vermeiden, tauchen Sie den Sitz niemals in Flüssigkeit und stellen Sie sicher, dass keine Flüssigkeit oder Schmutz in das Innere des Sitzes gelangt.
- Sichtbare Beschädigung oder übermäßige Hitze: Wenn der Sitz, das Netzkabel oder das Netzteil während des Gebrauchs sichtbare



## DE

Schäden, ungewöhnliche Gerüche oder übermäßige Hitze aufweist, stellen Sie die Verwendung des Sitzes sofort ein und trennen Sie ihn von der Stromversorgung.

### 3.1.2 Informationen zur Kindersicherheit

- Kindersicherheit: Halten Sie Kinder vom Sitz fern, um Verletzungen zu vermeiden. Beaufsichtigen Sie Kinder immer, um zu verhindern, dass sie das Produkt manipulieren.
- Verpackungsmaterialien: Lassen Sie Kinder niemals unbeaufsichtigt mit Verpackungsmaterial, da es eine Erstickungsgefahr darstellen kann.

### 3.1.3 Wartung und Lagersicherheit

- Vor der Reinigung vom Stromnetz trennen: Ziehen Sie vor der Reinigung immer den Netzstecker, um elektrische Gefahren zu vermeiden.
- Reinigungshinweise: Verwenden Sie zur Reinigung ein feuchtes, mit warmem Wasser angefeuchtetes Tuch. Vermeiden Sie, dass Wasser in die internen Komponenten des Sitzes eindringt, um elektrische Schäden oder Stromschläge zu vermeiden.
- Längere Nichtbenutzung: Wenn der Sitz längere Zeit nicht benutzt wird, ziehen Sie den Netzstecker, um elektrische Fehlfunktionen oder Schäden durch Stromstöße zu vermeiden.
- Richtige Lagerung: Lagern Sie den Sitz an einem kühlen, trockenen Ort, fern von direkter Sonneneinstrahlung, Feuchtigkeit oder Wärmequellen, um die Langlebigkeit der internen Komponenten zu gewährleisten.

#### VORSICHT:

### 3.1.4 Reparaturen und Modifikationen

- Reparaturen oder Modifikationen: Versuchen Sie nicht, das Produkt zu öffnen, zu modifizieren oder zu reparieren. Nicht autorisierte Änderungen führen zum Erlöschen der Garantie und können zu Fehlfunktionen oder Gefahren führen.
- Verwenden Sie nur Originalzubehör: Verwenden Sie immer Originalzubehör und Ersatzteile, die vom Hersteller zur Verfügung gestellt werden. Nicht autorisierte Modifikationen oder Teile von Drittanbietern können die Produktsicherheit und -leistung beeinträchtigen.

#### Compliance- und Sicherheitserinnerung

Die Nichtbeachtung der Sicherheitshinweise kann zu schweren Verletzungen, Stromschlägen oder Produktschäden führen. Befolgen Sie immer die Richtlinien des Handbuchs für Einrichtung, Verwendung und Wartung. Stellen Sie sicher, dass alle Benutzer vor der Verwendung gut über die Sicherheitsvorkehrungen informiert sind.

Bewahren Sie dieses Handbuch zum späteren Nachschlagen an einem sicheren Ort auf.

Für weitere Unterstützung oder Anfragen kontaktieren Sie uns bitte unter:

[support@nextlevelracing.com](mailto:support@nextlevelracing.com)

## 4 HINWEISE

### ANFANGEN

Jeder Schritt entspricht einem Bild auf den vorhergehenden Seiten. Beziehen Sie sich bei Bedarf auf sie.

### 4.1 Anschlüsse und Bedienung

01 – NLR ES1 HYPERCOOL ANSCHLÜSSE: A) Schließen Sie das Netzkabel an, indem Sie es in die Empfangsbuchse einführen, die sich unter der Rückenlehne des Sitzes befindet. B) Schließen Sie das Netzteil an das Netzteil an.

02 – NLR ES1 HYPERCOOL-BEDIENUNG: Drehen Sie den Wählschalter an der Seite des Sitzes, um den Next Level Racing Hypercool-Lüfter zu betätigen. A) Drehregler gegen den Uhrzeigersinn drehen, schaltet den Lüfter aus. B) Drehen Sie das Einstellrad im Uhrzeigersinn und erhöhen Sie die Geschwindigkeit des Lüfters.

### 4.2 NLR ELITE Cockpit Serie Montage für den seitlichen Einbau

(Universal-Sitzhalterungen für GT ELITE LITE erforderlich)

HINWEIS: Befestigen Sie Ihren Sitz vor der Verwendung an einem Cockpit. Befolgen Sie die nachstehenden Anweisungen, um sie an Next Level Racing Cockpits anzubringen. Sobald der Sitz im Cockpit installiert ist, finden Sie auf Seite 22, Abschnitt 7 eine Bedienungsanleitung.

WARNUNG: Bei den Schritten wird kein Kabelmanagement angezeigt. Bitte achten Sie auf das Kabelmanagement und stellen Sie sicher, dass die Kabel nicht durch die Sitz- und Rahmenmontage eingeklemmt werden. Verlegen Sie keine Kabel auf oder über Sitzschiebern.

03- Überprüfen Sie die interne Breite der Sitzhalterungen 500 mm.

04- Bestätigen Sie die Passform des Sitzes mit der Position der Sitzhalterungen.

05- Montieren Sie die vordere M8-Schraube und die Unterlegscheibe durch die Sitzhalterung in die Sitzeinlagen. Auf der anderen Seite wiederholen.

06- Montieren Sie die hintere M8-Schraube und die Unterlegscheibe durch die Sitzhalterung in die Sitzeinsätze. Auf der anderen Seite wiederholen.



## DE

07- VORWÄRTS- UND RÜCKWÄRTSVERSTELLUNG: Stellen Sie den Sitz auf den gewünschten Abstand zu den Pedalen ein. Befestigen Sie die Schrauben, die die Sitzhalterungen mit den Basisträgern verbinden.

08- WINKEL- UND HÖHENVERSTELLUNG: Verwenden Sie für die Winkel- und Höhenverstellung die verschiedenen Befestigungslöcher und Schlitzlöcher, die an den Sitzhalterungen vorgesehen sind.

09- Die Installation Ihres ES1 Hypercool Sitzes im Cockpit der Elite Series ist abgeschlossen.

### 4.3 NLR GTTRACK Montage

HINWEIS: Für GTTrack-Rahmen zerlegen Sie bitte die zuvor installierten Sitz- und Sitzschieber und ersetzen sie durch universelle Sitzhalterungen, dann fahren Sie mit der Installation des ES1 Hypercool-Sitzes fort.

10- Überprüfen Sie die interne Breite der Sitzhalterungen 500 mm.

11- Bestätigen Sie die Passform des Sitzes mit der Position der Sitzhalterungen.

12- Montieren Sie die vordere M8-Schraube und die Unterlegscheibe durch die Sitzhalterung in die Sitzeinsätze. Auf der anderen Seite wiederholen.

13- Montieren Sie die hintere M8-Schraube und die Unterlegscheibe durch die Sitzhalterung in die Sitzeinsätze. Auf der anderen Seite wiederholen.

14- VORWÄRTS- UND RÜCKWÄRTSVERSTELLUNG: Stellen Sie den Sitz auf den gewünschten Abstand zu den Pedalen ein. Befestigen Sie die Schrauben, die die Sitzhalterungen mit den Basisträgern verbinden.

15- WINKEL- UND HÖHENVERSTELLUNG: Verwenden Sie für die Winkel- und Höhenverstellung die verschiedenen Befestigungslöcher und Schlitzlöcher, die an den Sitzhalterungen vorgesehen sind.

16- Die Installation Ihres ES1 Hypercool Sitzes im GTTrack-Cockpit ist abgeschlossen.

### 4.4 NLR F-GT Montage

HINWEIS: NUR F-GT-Rahmen (Doppelschieber) - Entfernen Sie den vorhandenen Sitz aus den Halterungen und fahren Sie dann mit dem Einbau des ES1 Hypercool-Sitzes fort.

HINWEIS: F-GT Cockpit (Sitz im Lieferumfang des Single Sliders enthalten) - Entfernen Sie den vorhandenen F-GT-Sitz, installieren Sie die universelle Sitzhalterung (separat erhältlich) und fahren Sie dann mit dem Einbau des ES1 Hypercool-Sitzes fort.

17- Überprüfen Sie die interne Breite der Sitzhalterungen 500 mm.

18- Bestätigen Sie die Passform des Sitzes mit der Position der Sitzhalterungen.

19- Montieren Sie die vordere M8-Schraube und die Unterlegscheibe durch die Sitzhalterung in die Sitzeinsätze. Auf der anderen Seite wiederholen.

20- Montieren Sie die hintere M8-Schraube und die Unterlegscheibe durch die Sitzhalterung in die Sitzeinsätze. Auf der anderen Seite wiederholen.

21- VORWÄRTS- UND RÜCKWÄRTSVERSTELLUNG: Stellen Sie den Sitz auf den gewünschten Abstand zu den Pedalen ein. Befestigen Sie die Schrauben, die die Sitzhalterungen mit den Basisträgern verbinden.

22- WINKEL- UND HÖHENVERSTELLUNG: Verwenden Sie für die Winkel- und Höhenverstellung die verschiedenen Befestigungslöcher und Schlitzlöcher, die an den Sitzhalterungen vorgesehen sind.

23- Die Installation Ihres ES1 Hypercool-Sitzes im F-GT-Cockpit ist abgeschlossen.

### 5.1 So entsorgen Sie das Produkt

#### 5.1.1 Entsorgung von elektronischen Bauteilen

Das Symbol auf dem Produkt, dem Zubehör oder der Verpackung weist darauf hin, dass dieses Gerät nicht als unsortierter Siedlungsabfall behandelt werden darf, sondern getrennt gesammelt werden muss. Entsorgen Sie das Gerät über eine Sammelstelle für das Recycling von Elektro- und Elektronikaltgeräten, wenn Sie innerhalb der EU und in anderen europäischen Ländern wohnen, die getrennte Sammelsysteme für Elektro- und Elektronikaltgeräte betreiben. Durch die ordnungsgemäße Entsorgung des Geräts tragen Sie dazu bei, mögliche Gefahren für die Umwelt und die öffentliche Gesundheit zu mindern, die durch unsachgemäße Entsorgung von Elektroschrott verursacht werden. Das Recycling von Materialien trägt zur Schonung natürlicher Ressourcen bei. Entsorgen Sie Ihre Elektro- und Elektronikaltgeräte nicht über den unsortierten Hausmüll.

#### 5.1.2 Entsorgung von Verpackungsabfällen

Die Verpackung kann über Ihre örtlichen Recyclinganlagen entsorgt werden. Durch die fachgerechte Entsorgung der Verpackungen und Verpackungsabfälle tragen Sie dazu bei, mögliche Gefahren für die Umwelt und die öffentliche Gesundheit zu mindern.