

TAKE IT TO THE SKIES



FS FLIGHT SIMULATOR

BOEING™ COMMERCIAL EDITION

INSTRUCTION MANUAL



*ELECTRONICS NOT INCLUDED




YOUR FLIGHT SIM JOURNEY STARTS HERE

We know you're eager to start flying! Take your time with the instructions and follow this guide to assemble your product. You'll be setting yourself up for success with following the instruction booklet to fully optimize your product.








**ASSEMBLY
VIDEO**

bit.ly/nlrbuild



**FOLLOW
US**

-  @next_level_racing
-  @nextlevelracingOfficial
-  @nextlvlracing
-  Next Level Racing
-  support@nextlevelracing.com



**TAKE RACING
TO THE NEXT LEVEL®**

[NEXTLEVELRACING.COM](https://nextlevelracing.com)





support@nextlevelracing.com

PRE-FLIGHT CHECKS

WARNING

- Please do not use power tools for assembly as over tightening can damage your frame.
- Lay out and build the cockpit on a level surface.
- Do not force parts together.
- Avoid cross threading bolts.
- If in doubt consult the installation video.



If you require any support with your product please contact our friendly team at: support@nextlevelracing.com



WARNING

CHOKING HAZARD - Small parts not for children under 3 years or any individuals who have a tendency to place inedible objects in their mouths.



ASSEMBLY VIDEO

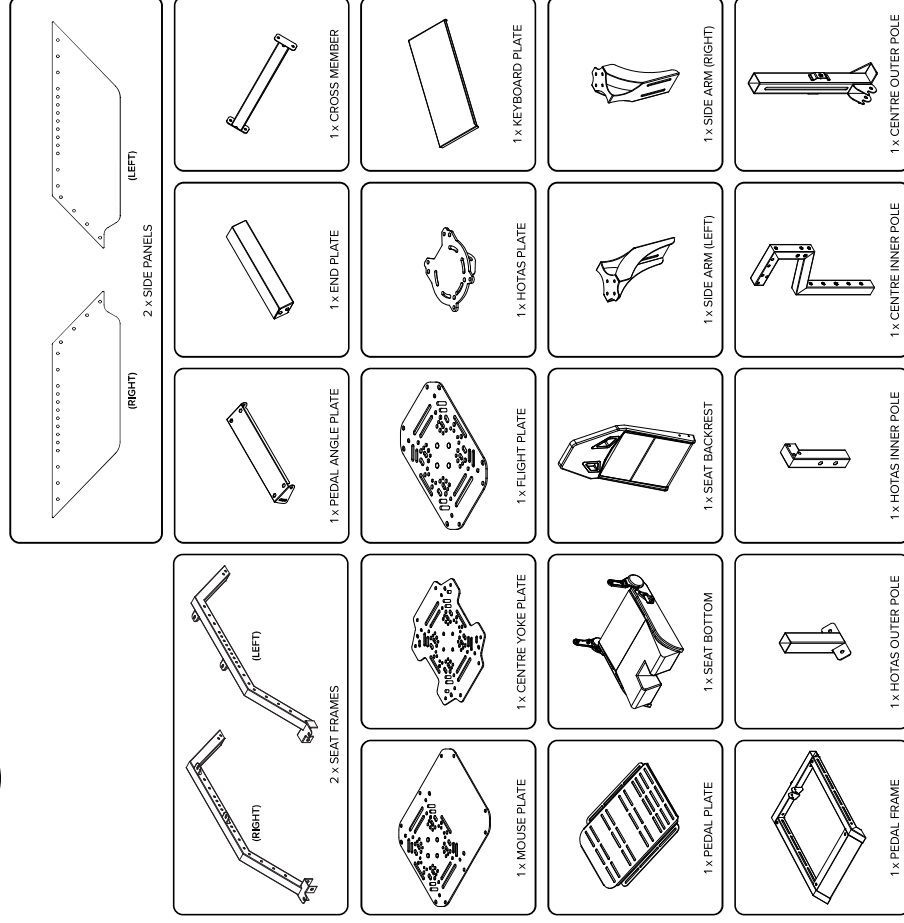
bit.ly/nlrbuild



Video Instruction: bit.ly/nlrbuild

IN THE BOX

NOT TO SCALE



NOTE: Some Items Come with Rust Resistant Coating






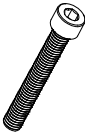


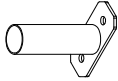

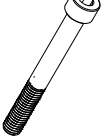

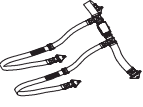


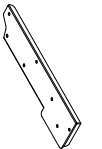
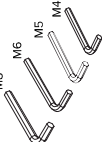


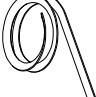
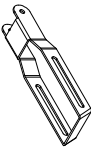





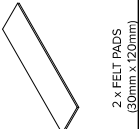


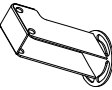
support@nextlevelracing.com

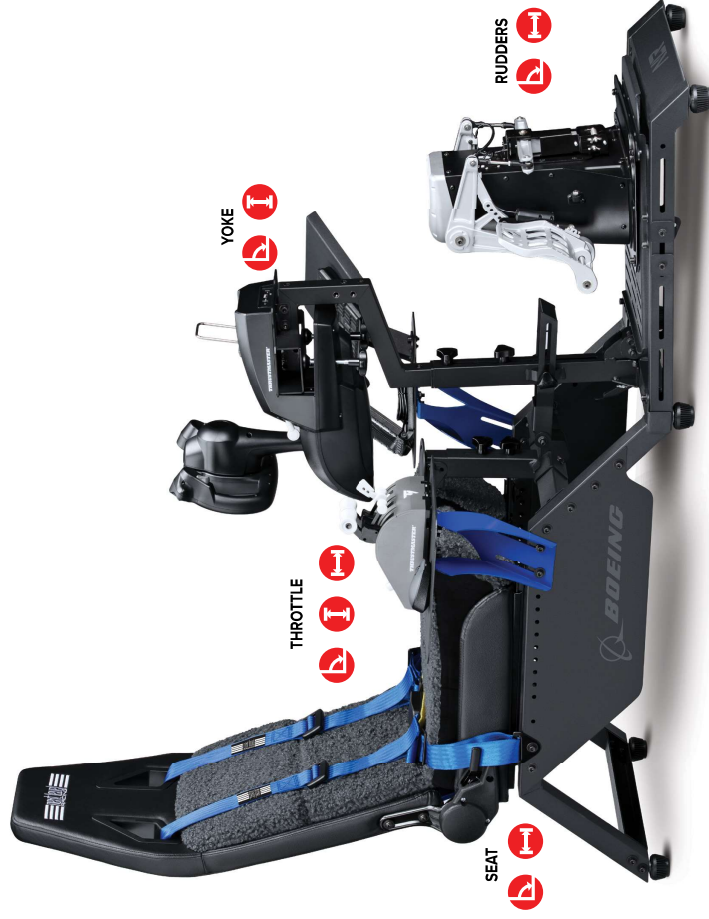


Video Instruction: bit.ly/nlrbuild

ADJUSTMENT POINTS

The Flight Simulator is a fully adjustable cockpit making it perfect for flight enthusiasts of all sizes. Utilize the various adjustment points to achieve the most comfortable position.

 14 x M4 WASHERS 8 x M5 WASHERS 26 x M6 WASHERS 55 x M8 WASHERS	 10 x M6 20mm THREADED STUDS	 8 x M5 60mm BOLTS	 40 x M8 55mm BOLTS	 14 x M4 16mm BOLTS 26 x M6 16mm BOLTS 14 x M8 16mm BOLTS
 1 x 13mm WRENCH (M8)	 1 x BUTTKICKER POLE	 6 x SQUARE WASHERS	 1 x M8 70mm BOLT	 4 x 20mm KNOBS
 1 x SEATBELT	 6 x ADJUSTABLE FEET	 1 x M4/M6 WRENCH 1 x M5/M6 WRENCH	 1 x TURTLE BEACH ADAPTOR	 4 x ALLEN KEYS
 2 x TPR ADAPTORS	 1 x LUMBAR CUSHION	 6 x VELCRO CABLE TIES	 1 x SUPPORT BRACKET	 1 x STRAIGHT SIDE ARM
 1 x CLAMP PLATE	 1 x 40mm BARREL SPACER	 1 x SUPPORT BRACKET MOUNT	 10 x M8 16mm WASHERS	 2 x FELT PADS (30mm x 120mm)
	 1 x MOUSE MAT	 1 x KEYBOARD MAT		 1 x KEYBOARD ARM



ANGLE 

HEIGHT 

DISTANCE 



A) Align the mounting holes on the Pedal Angle Plate with the slots on the Pedal Frame.

B) Bolt through and secure with 4 x M8 Bolts, Square Washers and Flange Nuts.

PARTS:

- 1 x Pedal Frame
- 1 x Pedal Angle Plate
- 4 x M8 55mm Bolts
- 4 x Square Washers
- 4 x M8 Flange Nuts

01

A) Align the mounting slots on the Pedal Plate with the threaded inserts on the Pedal Angle Plate.

B) Bolt through and secure with 4 x M8 Bolts and Washers.

PARTS:

- 1 x Pedal Plate
- 4 x M8 16mm Bolts
- 4 x M8 Washers

02

A) Align the mounting holes on the Seat Frames with the mounting inserts on the Pedal Frame.

B) Bolt through and secure the Seat Frames with 2 x M8 Bolts and Washers.

C) Bolt through the centre of the frame and secure with 2 x M8 55mm Bolts, Washers and Flange Nuts.

PARTS:

- 2 x Seat Frames
- 2 x M8 55mm Bolts
- 2 x M8 16mm Bolts
- 4 x M8 Washers
- 2 x M8 Flange Nuts

03

A) Align the threaded inserts on the End Plate with the mounting holes on the Left and Right Seat Frames. Bolt through and secure with 4 x M8 Bolts and Washers.

B) Bolt through and secure with 4 x M8 Bolts and Washers.

PARTS:

- 1 x End Plate
- 4 x M8 55mm Bolts
- 4 x M8 Washers

04

A) Align the mounting holes on the Side Panels with the through holes on the Seat Frames. Bolt through and secure with 4 x M8 Bolts, Washers and Flange Nuts.

B) Bolt through and secure with 4 x M8 Bolts, Washers and Flange Nuts.

PARTS:

- 2 x Side Panels
- 4 x M8 55mm Bolts
- 4 x M8 Washers
- 4 x M8 Flange Nuts

05

A) Align the mounting holes on the Cross Member with the through holes on the Left and Right Seat Frames and Side Panels.

B) Bolt through and secure with 4 x M8 Bolts, Washers and Flange Nuts.

PARTS:

- 1 x Cross Member
- 4 x M8 55mm Bolts
- 4 x M8 Washers
- 4 x M8 Flange Nuts

06



07

PARTS:

- 1 x Seat Backrest
- 1 x Seat Bottom

A) Apply pressure to the seat base with bodyweight. Pull up the recliner handle with one hand and adjust so that the recliner is perpendicular with the Seat Bottom. Repeat on other side. (It is recommended to use a cloth/cardboard in palm to prevent injury to hands).

B) Repeat on Other Side

C) Which are pre-installed on the Seat Backrest and align the threaded inserts on the Seat Backrest with the mounting holes on the Seat Bottom.

C) Bolt through and secure with 4 x M8 Dome Head Bolts which were previously uninstalled. Remove the warning labels on the recliners.

08

PARTS:

- 2 x M8 16mm Square Neck Bolts
- 2 x M8 Flange Nuts

A) Pull the Seat Slider handle up and adjust the Seat to the forward-most position.

B) Align the mounting holes on the Seat Sliders with the seat mounting locations (Refer to image) on the Left and Right Seat Frames.

C) At the rear, bolt through and secure with 2 x M8 Square Neck Bolts and Flange Nuts.

(4x Seat Mounting Locations)
(Two Each Side of Seat Frames)

09

PARTS:

- 2 x M8 16mm Square Neck Bolts
- 2 x M8 Flange Nuts

A) Pull the Seat Slider handle and adjust the Seat to the rear-most position.

B) At the front, bolt through and secure with 2 x M8 Square Neck Bolts and Flange Nuts.

10

PARTS:

- 2 x Side Arms
- 4 x M8 55mm Bolts
- 4 x M8 Washers
- 4 x M8 Flange Nuts

A) Align the mounting slots on the Left and Right Side Arms with the through holes on the Left and Right Seat Frames and Side Panels.

B) Bolt through and secure with 4 x M8 Bolts, Washers and Flange Nuts.

11

PARTS:

- NIL

SIDE ARM ADJUSTMENT

Loosen the Bolts to adjust the Side Arms to the desired height and angle. Tighten the Bolts to lock in place. Utilize the extra through holes on the Seat Frames for back and forward adjustment.

12

PARTS:

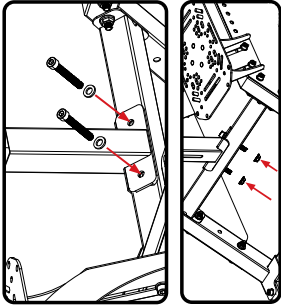
- 1 x Mouse Plate
- 1 x Flight Plate
- 8 x M8 Flange Nuts

Align the Threaded Studs on the Mouse Plate and Flight Plate with the mounting holes on the Left and Right Side Arms. Secure with 8 x M8 Flange Nuts.

NOTE: The plates are interchangeable and can be mounted to accommodate for left or right-handed users.



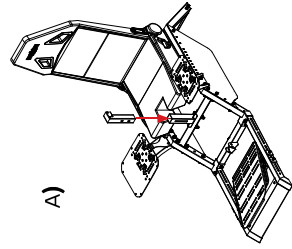
OPTIONAL HOTAS INSTALL



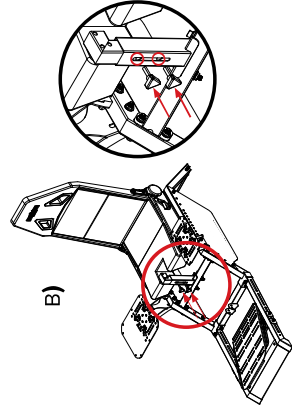
- PARTS:**
- 1x HOTAS Outer Pole
 - 2 x M8 55mm Bolts
 - 2 x M8 Washers
 - 2 x M8 Flange Nuts

13 Align the mounting holes on the HOTAS Outer Pole with the through holes on the Cross Member. Bolt through and secure with 2 x M8 Bolts, Washers and Flange Nuts.

A)

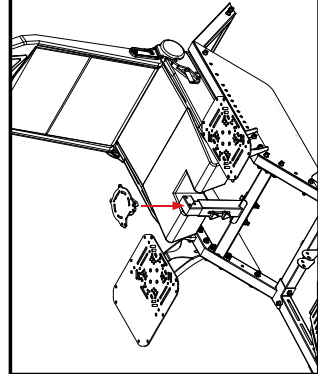


B)



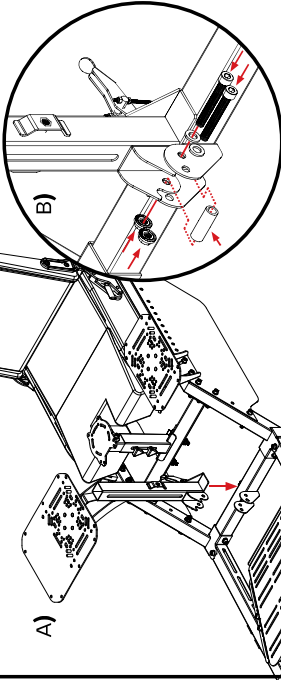
- PARTS:**
- 1x HOTAS Inner Pole
 - 2 x 20mm Knobs

14 Align the threaded inserts on the HOTAS Inner Pole with the slot on the HOTAS Outer pole. Bolt through and secure with 2 x Knobs.



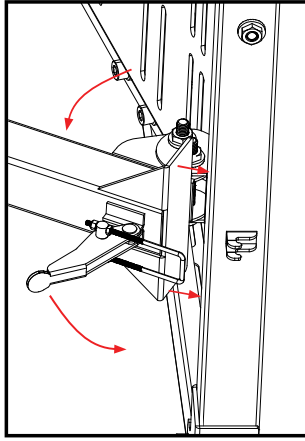
- PARTS:**
- 1x HOTAS Plate
 - 3 x M8 55mm Bolts
 - 3 x M8 16mm Washers
 - 3 x M8 Flange Nuts

15 Align the mounting holes on the HOTAS Plate with the through holes on the HOTAS Inner Pole. Bolt through and secure with 3 x M8 Bolts, Washers and Flange Nuts.

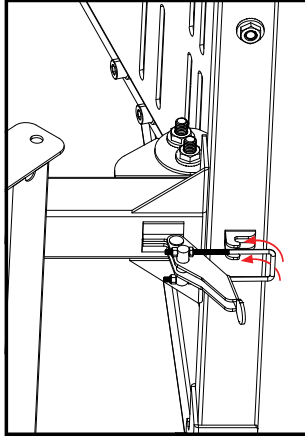


- PARTS:**
- 1x Centre Outer Pole
 - 2 x M8 55mm Bolts
 - 2 x M8 Washers
 - 2 x M8 Flange Nuts
 - 1x Barrel Spacer

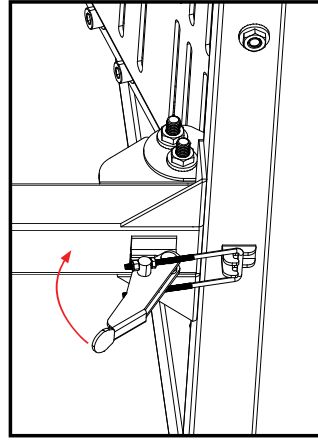
16 A) Align the mounting holes on the Centre Outer Pole with the holes on the Pedal Frame.
B) Align the Barrel Spacer with the holes on the Centre Outer Pole. Bolt through and secure with 2 x M8 Bolts, Washers and Flange Nuts.



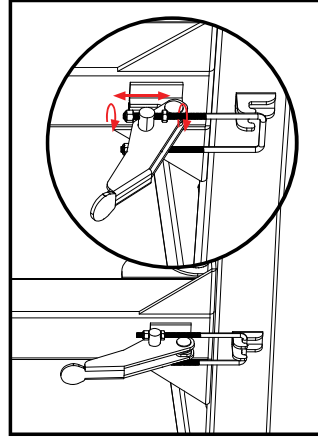
17a Gently place the Center Pole on top of the Pedal Frame and make sure the latch is down.



17b Hook the U-Bolt into the locking tab on the Pedal Frame.



17c Make sure the U bolt is sitting properly in the locking tab and pull the latch until its tight.



17d For a tighter lock, undo the latch, adjust the nuts at the top of the latch and close it back again.



NOTE: If high end yokes are being used, please install the optional Support Bracker (Step 25 - 26).

18

Install 1 x Felt Pad onto the top of the Centre Inner Pole. Align the threaded inserts on the Centre Inner Pole with the slots on the Centre Outer Pole. Bolt through and secure with 2 x Knobs.

PARTS:

- 1 x Centre Inner Pole
- 2 x 20mm Knobs
- 1 x Felt Pad

19a

Align the mounting holes on the Centre Yoke Plate with the through holes on the Centre Yoke Pole. Bolt through and secure with 3 x M8 55mm Bolts, Washers and Flange Nuts.

PARTS:

- 1 x Centre Yoke Plate
- 3 x M8 55mm Bolts
- 3 x M8 16mm Washers
- 3 x M8 Flange Nuts

OPTIONAL TURTLE BEACH ADAPTOR INSTALL
(Continue from Step 19a)

19b

Align the mounting holes on the Turtle Beach Adaptor Plate with the rear-most holes on the Centre Yoke Pole. Insert the 2 x M6 Studs into the rear-most holes on the Centre Yoke Pole. Bolt through and secure with 2 x M6 Flange Nuts.

PARTS:

- 1 x Turtle Beach Adaptor Plate
- 2 x M6 20mm Press Fit Studs
- 2 x M6 Flange Nuts

BOEING YOKE/CLAMP PLATE INSTALL

19c

A) Place the Clamp Plate on top of the Centre Inner Pole.
B) Slide the Clamp Plate forward and align the mounting holes on the Centre Inner Pole and Clamp Plate.
C) Bolt through and secure with 2 x M8 Bolts, Washers and Flange Nuts.

PARTS:

- 1 x Clamp Plate
- 2 x M8 55mm Bolts
- 2 x M8 Washers
- 2 x M8 Flange Nuts

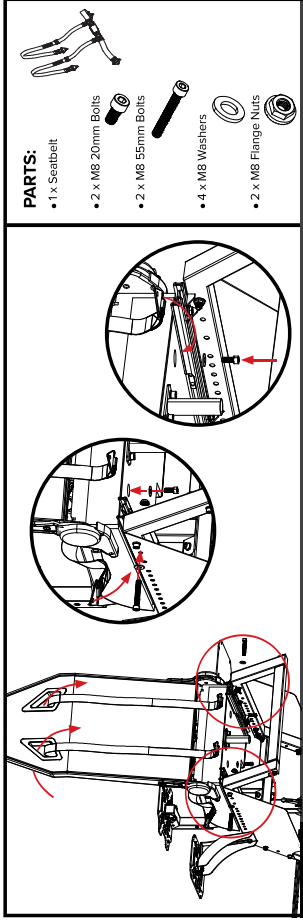
CENTRE KEYBOARD PLATE INSTALL

19d

Align the mounting holes and slots on the Keyboard Plate with the through holes on the Centre Inner Pole. Bolt through and secure with 2 x M8 Bolts, Washers and Flange Nuts.

PARTS:

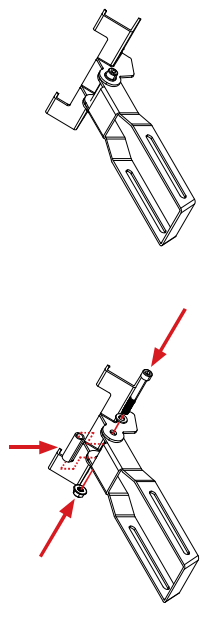
- 1 x Keyboard Plate
- 2 x M8 55mm Bolts
- 2 x M8 Washers
- 2 x M8 Flange Nuts



20 Thread the Seatbelt through the eyelets in the Seat Backrest. Align the mounting holes on each Seatbelt mounting plate with the through holes on the Seat Frames and the threaded inserts on the underside of the Seat Bottom. Bolt through and secure with 4 x M8 Bolts, Washers and 2 x M8 Flange Nuts.

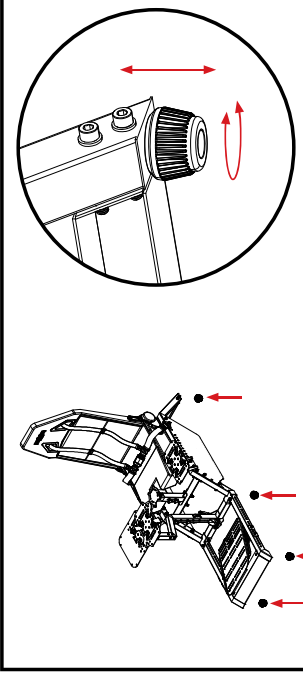
- PARTS:**
- 1x Seatbelt
 - 2 x M8 20mm Bolts
 - 2 x M8 55mm Bolts
 - 4 x M8 Washers
 - 2 x M8 Flange Nuts

OPTIONAL SUPPORT BRACKET INSTALL



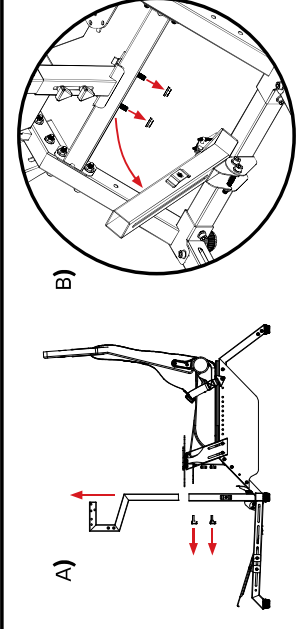
23 Align the pivot point on the Support Bracket with the mounting holes on the Support Bracket Mount. Bolt through and secure with 1 x M8 Bolt, Washer, Barrel Spacer and Flange Nut.

- PARTS:**
- 1x Support Bracket
 - 1x Support Bracket Mount
 - 1x M8 70mm Bolt
 - 1x Barrel Spacer
 - 1x M8 Washer
 - 1x M8 Flange Nut



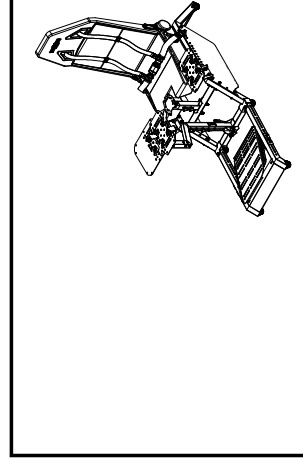
21 Align the Adjustable Feet with the threaded inserts on the bottom of the Pedal Frame and Seat Frames. Lock into place by twisting the Adjustable feet into the threaded inserts. To raise an Adjustable Foot, twist anti-clockwise.

- PARTS:**
- 6 x Adjustable Feet

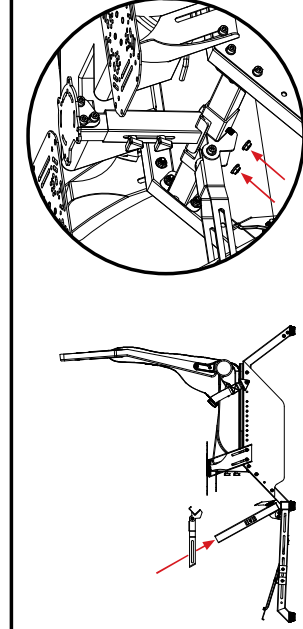


24 A) Uninstall the Knobs securing the Centre Inner Pole to the Centre Outer Pole and remove the Centre Outer Pole.
B) Uninstall the 2 x M8 Flange Nuts securing the HOTAS Outer Pole to the Cross Member.

- PARTS:**
- NIL



22 Your Flight Simulator cockpit is complete.



25 Align the mounting holes on the Support Bracket with the through holes on the Cross Member. Secure with 2 x M8 Flange Nuts

- PARTS:**
- 2 x M8 Flange Nuts



support@nextlevelracing.com

Video Instruction: bit.ly/nlrbuild



26

PARTS:

- 1x Centre Inner Pole
- 4 x 12mm Knobs

A) Align the threaded inserts on the Centre Outer Pole with the slots on the Support Bracket. Bolt through with 2 x Knobs.
 B) Fit the Centre Inner Pole into the Centre Outer Pole. Align the threaded inserts on the Centre Inner Pole with the slot in the Centre Outer Pole. Bolt through and secure with 2 x Knobs previously uninstalled in **Step 24**.

27

OPTIONAL KEYBOARD PLATE SIDE MOUNT

PARTS:

- 1x Keyboard Arm
- 2 x M6 16mm Bolts
- 2 x M6 Washers
- 2 x M6 Flange Nuts

Align the mounting slots on the Keyboard Arm with the holes on the Mouse Plate. Bolt through and secure with 2 x M6 Bolts, Washers and Flange Nuts.

28

PARTS:

- 1x Keyboard Plate
- 2 x M8 55mm Bolts
- 2 x M8 Washers
- 2 x M8 Flange Nuts

Align the mounting holes on the Keyboard Plate with the through holes on the Keyboard Arm. Bolt through and secure with 2 x M8 Bolts, Washers and Flange Nuts.

29

OPTIONAL STRAIGHT SIDE ARM

PARTS:

- NIL

A) Uninstall 2 x M8 Bolts, Washers and Flange Nuts securing the Side Arm. Detach the Flight Plate from the Side Arm.
 B) Uninstall 2 x M8 Bolts, Washers and Flange Nuts securing one side of the Cross Member to the Seat Frame.

30

NOTE: The Straight Side Arm is interchangeable and works on both sides of the cockpit.

PARTS:

- 1x Straight Side Arm
- 2 x M8 55mm Bolts
- 2 x M8 Washers
- 2 x M8 Flange Nuts

A) Align the Straight Side Arm with the through holes in the Seat Frame and Cross Member.
 B) Bolt through and secure with 2 x M8 Bolts, Washers and Flange Nuts uninstalled in **Step 29**.

31

PARTS:

- 4 x M8 Flange Nuts
- 1x Mouse Plate

Align the Mouse Plate Threaded Studs with the mounting holes on the Straight Side Arm. Secure with 4 x M8 Flange Nuts.



PEDAL PLATE ANGLE ADJUSTMENT

PARTS:

- NIL

32

Uninstall the front Bolts, Square Washers and Flange Nuts securing the Pedal Angle Plate to the Pedal Frame and loosen the rear Bolts. Adjust to the desired angle. Bolt through and secure with the Bolts, Square Washers and Flange Nuts previously uninstalled.

CENTRE POLE HEIGHT ADJUSTMENT

PARTS:

- NIL

35

Loosen the Knobs securing the Inner Centre Pole to the Outer Centre Pole. Adjust the Inner Centre Pole to the desired height and tighten the Knobs to secure in place. Utilize the multiple threaded inserts for a perfect fit.

HOTAS POLE HEIGHT ADJUSTMENT

PARTS:

- NIL

33

Loosen the Knobs securing the HOTAS Inner Pole to the HOTAS Outer Pole. Adjust to desired height and tighten Knobs to lock in place.

CENTRE PLATE ANGLE ADJUSTMENT

PARTS:

- NIL

36

Uninstall the front Bolts, Washers and Flange Nuts securing the Centre Plate to the Inner Centre Pole. Angle to the desired position. Bolt through and secure with 1 x Bolt, Washer and Flange Nut previously uninstalled.

HOTAS POLE ANGLE ADJUSTMENT

PARTS:

- NIL

34

Uninstall the front Bolts, Washers and Flange Nuts securing the HOTAS Plate to the HOTAS Inner Pole. Angle to the desired position. Bolt through and secure with 1 x Bolt, Washer and Flange Nut previously uninstalled.

TPR RUDDER INSTALLATION

PARTS:

- 1 x TPR Adaptor
- 4 x M6 20mm Threaded Studs

37

Install 4 x M6 Threaded Studs into the TPR Adaptor.



support@nextlevelracing.com

Video Instruction: bit.ly/nlrbuild



38

PARTS:

- 2x M6 Flange Nuts
- TPR Rudder (not included)

Align the mounting holes on the front of the TPR Rudder with the Threaded Studs on the TPR Adaptor. Secure with 2 x M6 Flange Nuts. The TPR Rudders are ready to install into the cockpit.

40

MOUSE MAT INSTALL

A Mouse mat may be installed on top of the Flight or Mouse Plate. A mouse may now be used.

PARTS:

- 1x Mouse Mat

41

KEYBOARD MAT INSTALL

Place the Keyboard Mat on top of the Keyboard Plate. A keyboard may now be used.

PARTS:

- 1x Keyboard Mat

39

BUTTKICKER POLE INSTALL

PARTS:

- 1x ButtKicker Pole
- 2 x M8 16mm Bolts
- 2 x M8 Washers

Align the mounting holes on the ButtKicker Pole with the threaded inserts under the Seat Bottom. Bolt through and secure with 2 x M8 Bolts and Washers.

