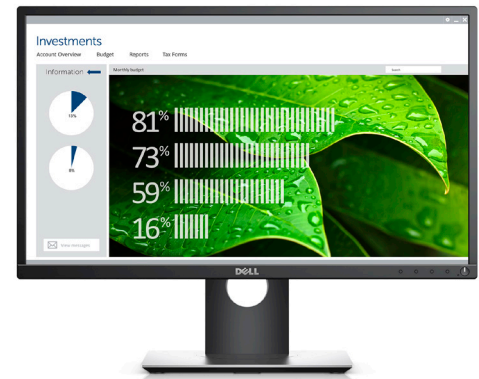




## Dell 23 Monitor P2317H



The smart choice to help boost productivity with more comfort and convenience.

### Enhanced productivity

Help boost your productivity with this 23" 16:9 aspect ratio monitor.

- Enjoy a better visual experience with a slim border design — great for multi-monitor setups.
- Efficiently auto apply predefined color settings for various applications via Dell Auto Mode.
- Reduce desk clutter with integrated power and cable management.

### Improved comfort

Work the way you like, comfortably.

- Adjust your view with flexible adjustability features including tilt, pivot, swivel and height-adjustable stand.
- See images clearly with consistent colors across an ultrawide viewing angle.
- Optimize eye comfort with a flicker-free screen and ComfortView feature<sup>6</sup> which minimizes blue light emission.
- Enjoy added convenience and usability thanks to two easily accessible USB 3.0 ports located on the side of the monitor.



### Smart investment

You're ready now and for the future with this smart choice.

- Future proof your connectivity with a wide range of digital ports.
- Choose an eco-conscious design which meets latest regulatory and environmental standards.
- Get a variety of mounting options and accessories to flexibly configure your office.

### Reliable

Comes with Dell's high reliability promise.

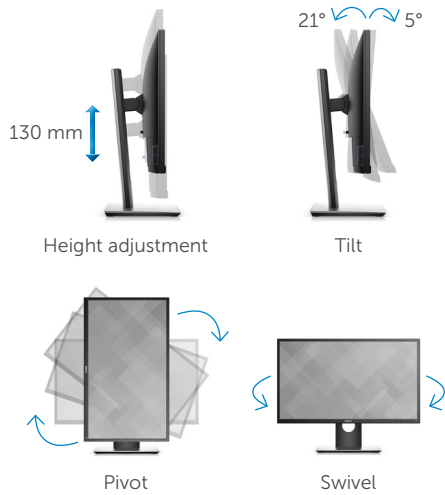
- Enjoy great reliability from the #1 monitor brand worldwide.\*
- Experience peace of mind from Dell's commitment to quality and customer satisfaction with the Premium Panel<sup>5</sup> Guarantee.
- Minimize downtime with Dell's 3-year Advanced Exchange Service<sup>3</sup>

For more information visit  
[www.dell.com/monitors](http://www.dell.com/monitors)

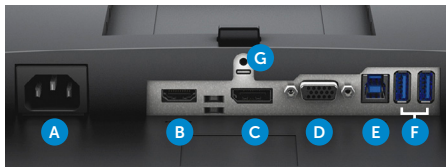
Thank you  
for making  
Dell Monitors

**#1**  
worldwide\*

Easily adjust the panel to your preferred viewing position.



### Connectors



- A** Power cable connector
- B** HDMI
- C** DisplayPort
- D** VGA
- E** USB upstream
- F** USB downstream
- G** Stand lock feature



### What's in the box?

- Components**
- Monitor panel
  - Stand (riser and base)
- Cables**
- Power cable (varies by country)
  - VGA, DisplayPort, USB 3.0 upstream cables
- Documentation**
- Drivers and documentation media (CD)
  - Quick Setup Guide
  - Safety and regulatory information



## Dell 23 Monitor | P2317H

### Display

Model number	P2317H
Viewable image size (diagonal)	58.4 cm (23 inches)
Active display area	
Horizontal	509.18 mm (20.05 inches)
Vertical	286.42 mm (11.28 inches)
Maximum resolution	1920 x 1080 at 60 Hz
Aspect ratio	16:9
Pixel pitch	0.265 mm x 0.265 mm
Brightness (typical)	250 cd/m <sup>2</sup>
Color gamut (typical)	82% <sup>1</sup>
Color depth	16.7 million colors
Contrast ratio (typical)	1000:1
Mega dynamic contrast ratio	4 million:1
Viewing angle (typical) (vertical/horizontal)	178°/178°
Response time (typical)	6 ms gray-to-gray (typical)
Panel technology, surface	In-plane switching
Backlight	LED
Bezel color	Black

### Connectivity

Connectors	DisplayPort 1.2, HDMI 1.4, VGA, 2 x USB 3.0 (side), 2 x USB 2.0 (bottom)
------------	--

### Features

Stand	Tilt (Typical: 5° forward or 21° backward), pivot (90°), swivel (45°), height adjustable (130 mm)
Security	Security lock slot (security lock not included)
VESA mounting support (wall mount kit sold separately)	Dell Quick Release feature (100 x 100 mm)
Other	ComfortView, narrow bezel, stepped feature

### Power

AC input voltage/frequency/current (typical)	100 to 240 VAC / 50 or 60 Hz ± 3 Hz / 1.5 A (typical)
Power consumption (normal operation)	18 W (typical) 38 W (Max.)
Power consumption (active-off mode)	< 0.3 W

### Dimensions (with stand)

Height (compressed ~ extended)	357.1 mm ~ 487.1 mm (14.06 inches ~ 19.17 inches)
Width	532.0 mm (20.94 inches)
Depth	180.0 mm (7.09 inches)

### Weight

Weight (panel only – no stand)	3.06 kg (6.75 lb)
Weight (with stand)	5.59 kg (12.32 lb)
Shipping weight	7.32 kg (16.14 lb)

### Standard service plan

- 3 years Premium Panel Guarantee<sup>5</sup>
- 3 years Advanced Exchange Service<sup>3</sup> and Limited Hardware Warranty<sup>4</sup>

### Environmental compliance

ENERGY STAR<sup>®</sup>, EPEAT<sup>®</sup> Gold<sup>2</sup>, TCO Certified Displays, CEL, CECP, RoHS, WEEE, ErP (EuP) Standards, Korea E-Standby

<sup>\*</sup>Dell monitors are #1 Worldwide for 2 consecutive years. Source: NPD DisplaySearch Quarterly Desktop Monitor Shipment and Forecast Report (2013 and 2014). Ad#G15000115

<sup>\*\*</sup>Registered in US and Canada only.

<sup>1</sup> Color gamut (typical) is based on CIE1976 (82%) and CIE1931 (72%) test standards.

<sup>2</sup> EPEAT Gold registered in the U.S. EPEAT registration varies by country. See [www.epeat.net](http://www.epeat.net) for registration status by country.

<sup>3</sup> Advanced Exchange Service: Replacement part/unit dispatched, if needed, following completion of phone/online diagnosis. Fee charged for failure to return defective unit. Availability varies. Other conditions apply.

<sup>4</sup> For a copy of the Limited Hardware Warranty, write to Dell USA LP, Attn: Warranties, One Dell Way, Round Rock, TX 78682 or see [dell.com/warranty](http://dell.com/warranty).

<sup>5</sup> In the event you discover even one bright pixel during the Limited Hardware Warranty period, a free panel exchange is guaranteed. (see pixel panel info located on [Dell.com](http://support.dell.com/support/topics/global.aspx/support/kcs/document?docid=414288) web page for complete details): <http://support.dell.com/support/topics/global.aspx/support/kcs/document?docid=414288>

<sup>6</sup> ComfortView feature reduces blue light emission and brightness onscreen.

Product availability varies by country. Please contact your Dell representative for more information. Based on ID# G16000071 [dell.com/monitors](http://dell.com/monitors)